

Spare parts list

(1.630-750.0) K 5 Compact *EU

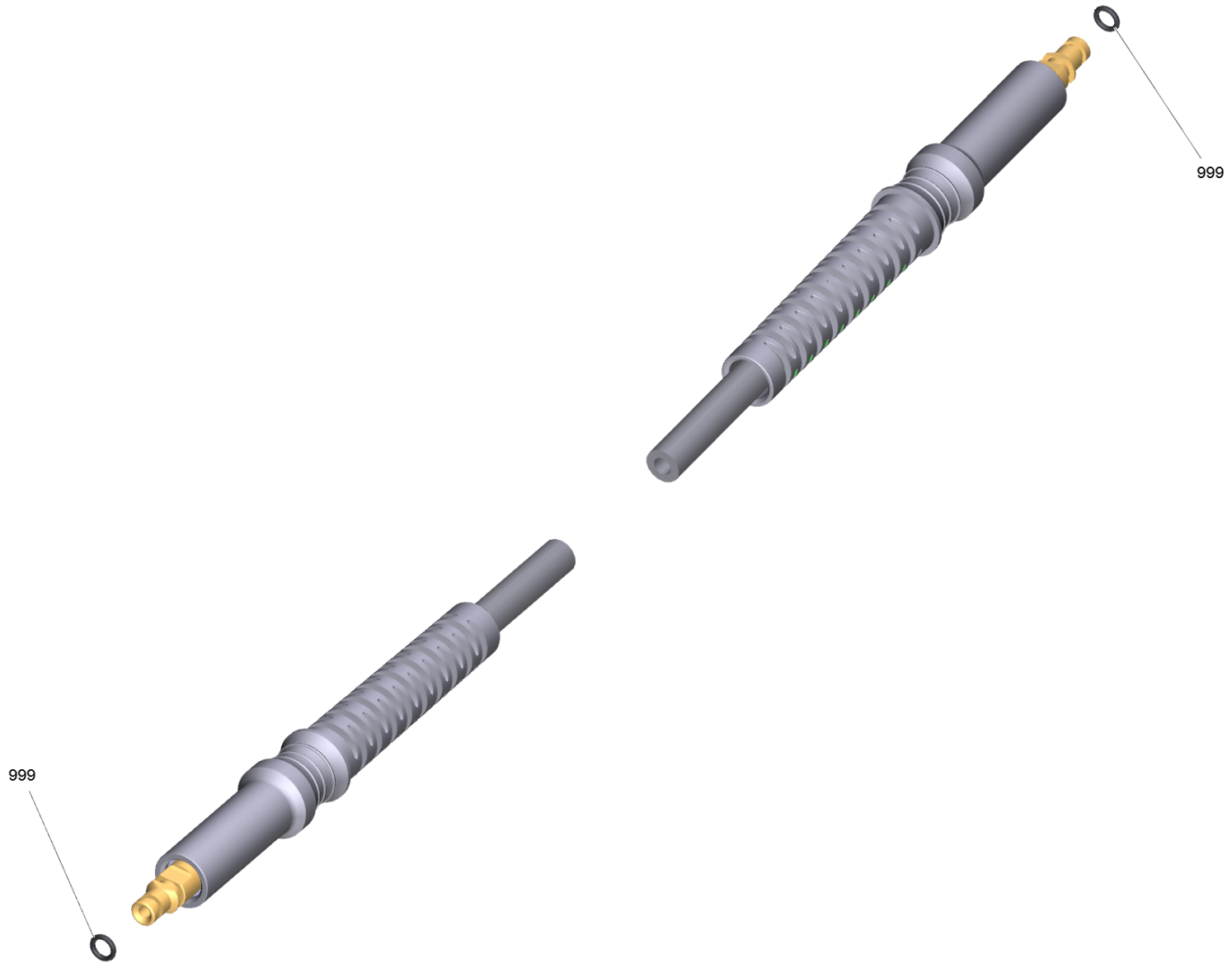
Table of contents

K 5 Compact *EU (1.630-750.0)	3
9 H 9 Q high pressure hose Quick Connect (2.641-721.0)	5
10 G 180 Q Trigger gun Quick Connect (2.642-889.0)	7
12 VP 145 Vario Power Jet (packaged) (2.642-725.0)	9
14 DB 145 Dirt Blaster (packaged) (2.642-728.0)	11
109 Pump set complete Compact K5 NCR	13
80 Thrust guidance complete K5	15
130 Pump coating K5 NCR	17
10 Ass. Manifold 2K K5	19
901 Spare parts set control head FC (9.002-442.0)	21
70 Nozzle insert (4.769-035.0)	23
903 Valve pin complete (4.584-022.0)	25
60 Manifold fitting K5 FC kpl (9.013-346.0)	27
901 Pump head Alu FC ric (9.002-456.0)	29
140 Set suction socket for replacement (4.100-705.0)	31
160 Electric box compact K3/K4/K5	33
901 Electric box complete (9.001-879.0)	35
901 Motor complete for replacement K5 NCR *E (4.100-707.0)	37
5 Motor Complete K5 NCR H85 WCM3.5	39
115 Handle Complete Assembly NCR	41
120 Hose Detergent Compact NCR	43
127 Wheel in pairs FC 1K D160 (9.002-438.0)	45



K 5 Compact *EU (1.630-750.0)

POS	Article no.	Description	Quantity	Unit
5	6.465-031.0	Connection 3/4	1.000	ST
14	2.642-728.0	DB 145 Dirt Blaster (packaged)	1.000	ST
10	2.642-889.0	G 180 Q Trigger gun Quick Connect	1.000	ST
9	2.641-721.0	H 9 Q high pressure hose Quick Connect	1.000	ST
115		Handle Complete Assembly NCR	1.000	ST
120		Hose Detergent Compact NCR	1.000	ST
111	9.038-622.3	Housing rear for replacement NCR	1.000	ST
109		Pump set complete Compact K5 NCR	1.000	ST
114	9.048-179.0	Rubber fixing accessories NCR	2.000	ST
123	9.086-221.0	Screw ATF 4.1x22	10.000	ST
901	4.100-702.0	Set housing front K5 NCR	1.000	ST
122	5.379-002.3	Strap for replacement	1.000	ST
110	9.038-638.0	Turning knob switch K4&K5 NCR	1.000	ST
12	2.642-725.0	VP 145 Vario Power Jet (packaged)	1.000	ST
51	5.387-620.0	Warning sticker-Prevent from freezing	1.000	ST
127	9.002-438.0	Wheel in pairs FC 1K D160	1.000	ST
902	9.038-444.0	Yellow cover FC 1K wheel D160	1.000	ST



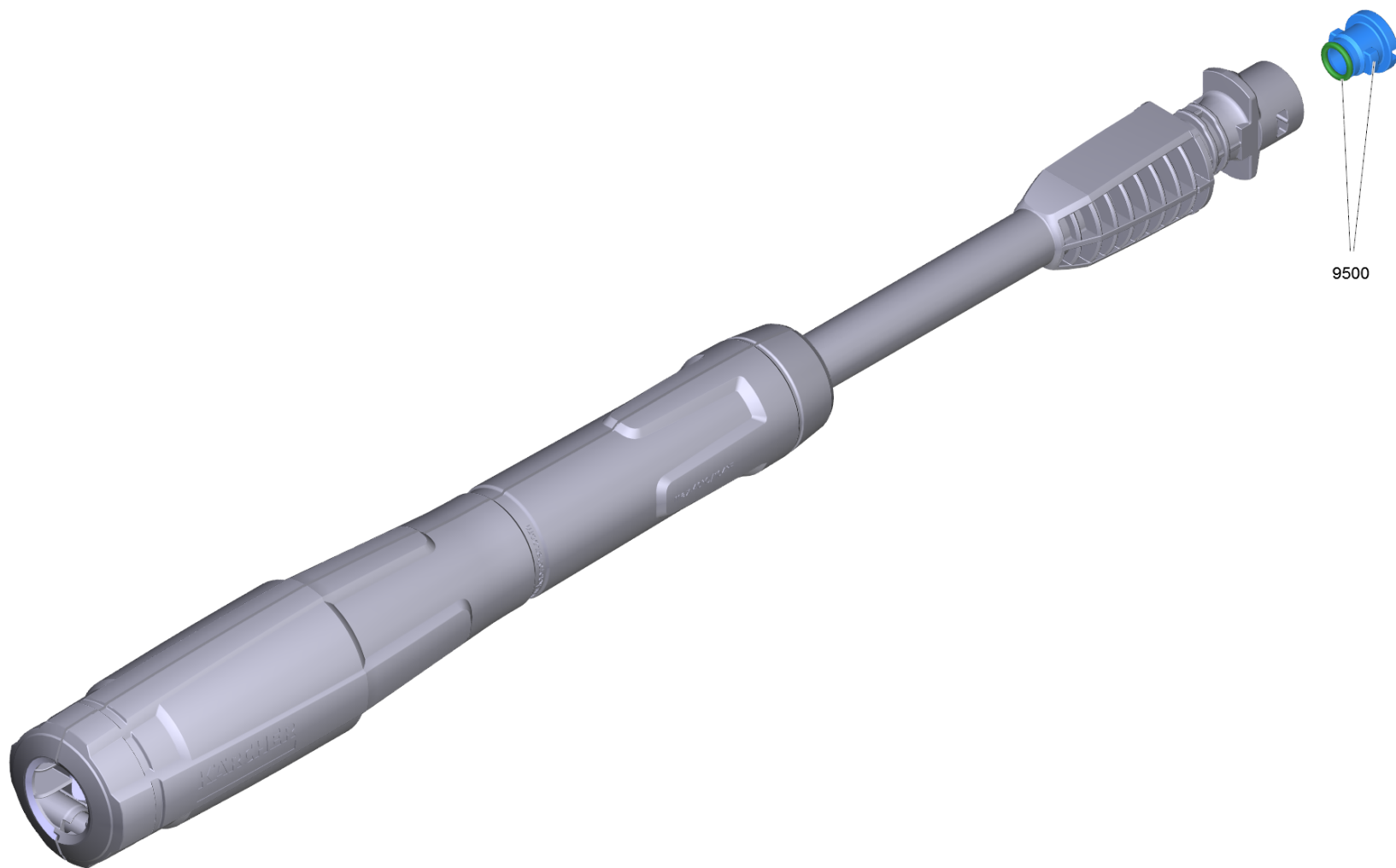
9 H 9 Q high pressure hose Quick Connect (2.641-721.0)

POS	Article no.	Description	Quantity	Unit
999	2.640-729.0	O-Ring seal set	1.000	ST



10 G 180 Q Trigger gun Quick Connect (2.642-889.0)

POS	Article no.	Description	Quantity	Unit
1	5.332-464.0	Pressure spring	1.000	ST



9500

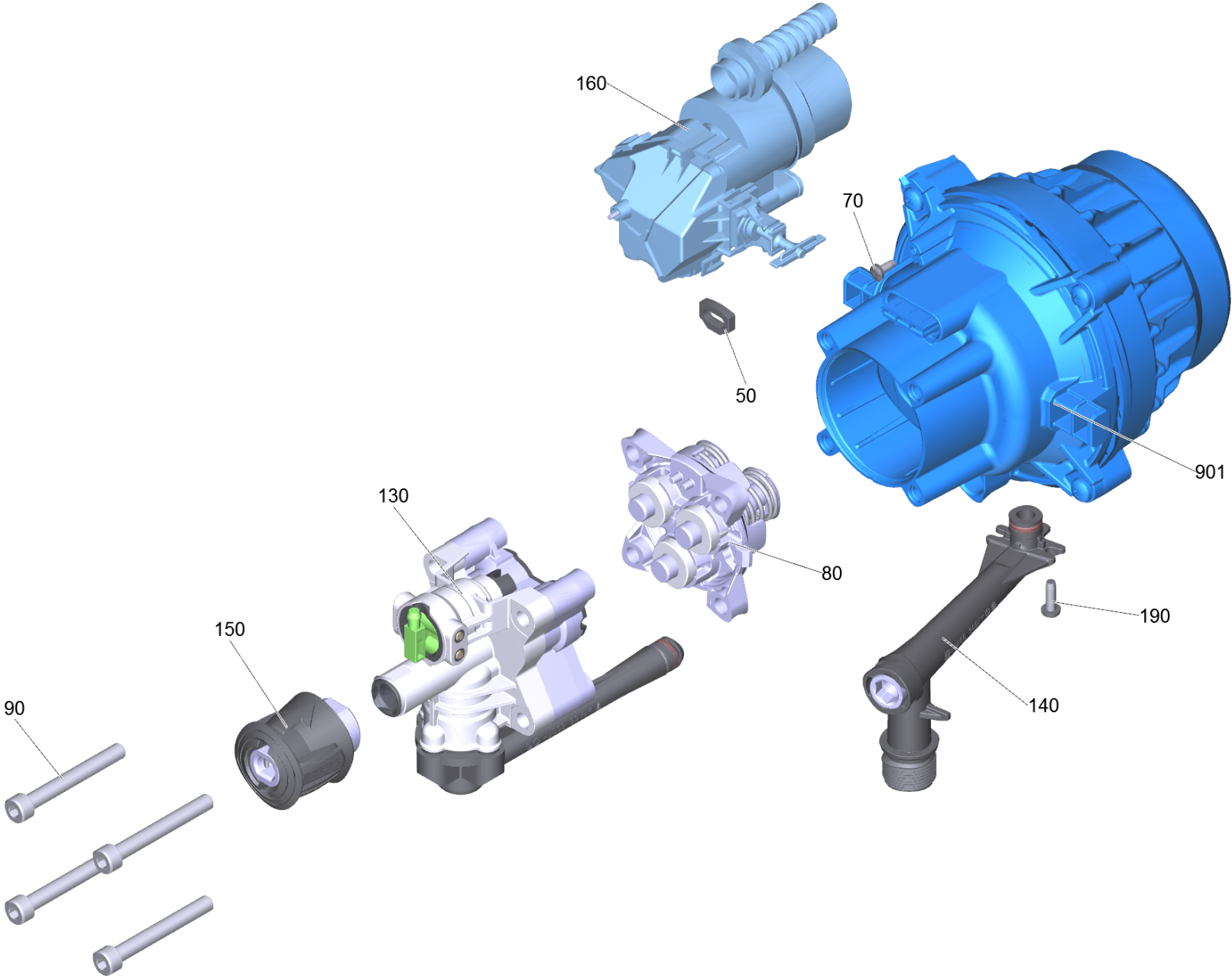
12 VP 145 Vario Power Jet (packaged) (2.642-725.0)

POS	Article no.	Description	Quantity	Unit
9500	2.640-729.0	O-Ring seal set	1.000	ST



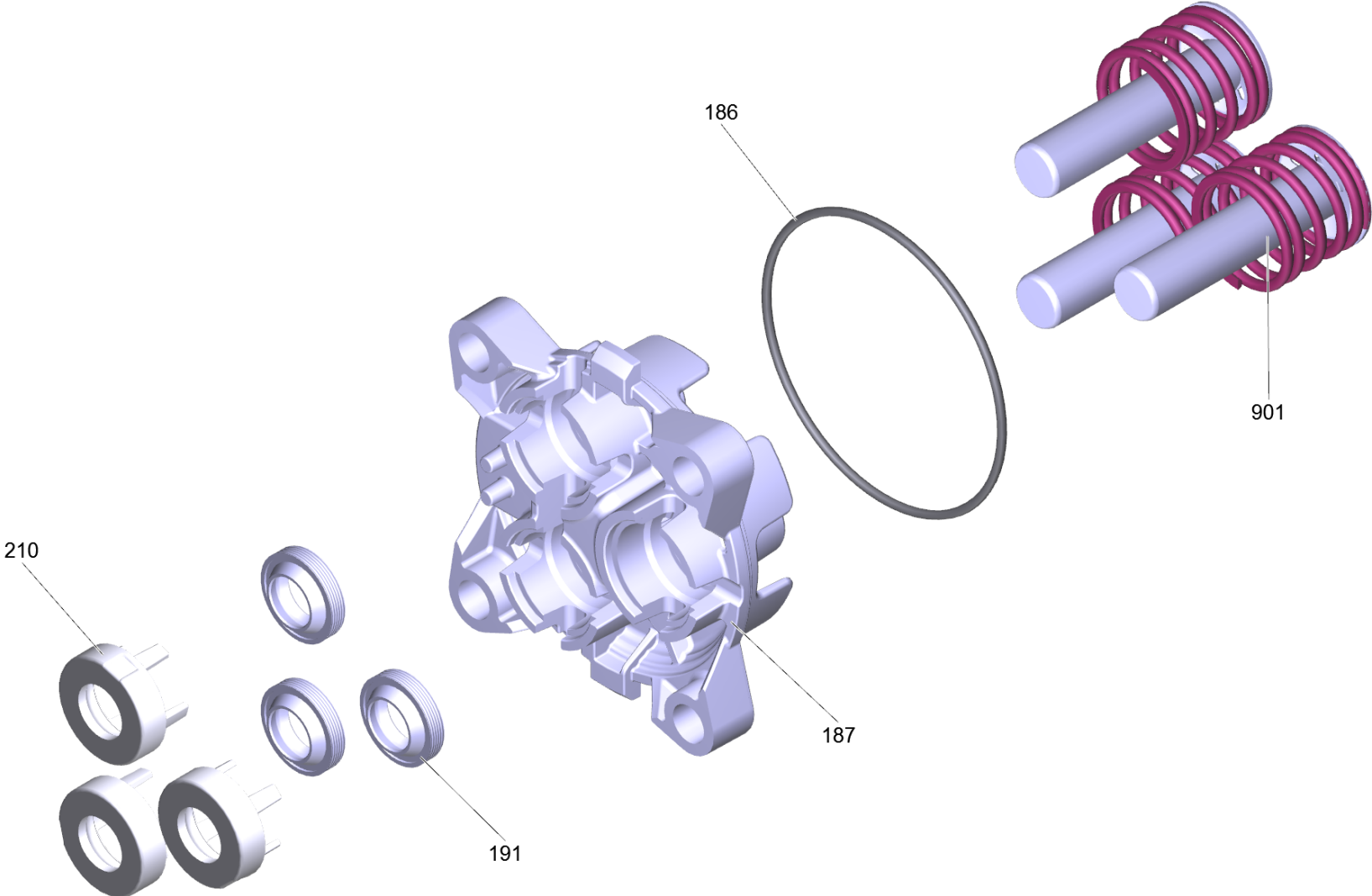
14 DB 145 Dirt Blaster (packaged) (2.642-728.0)

POS	Article no.	Description	Quantity	Unit
9500	2.640-729.0	O-Ring seal set	1.000	ST



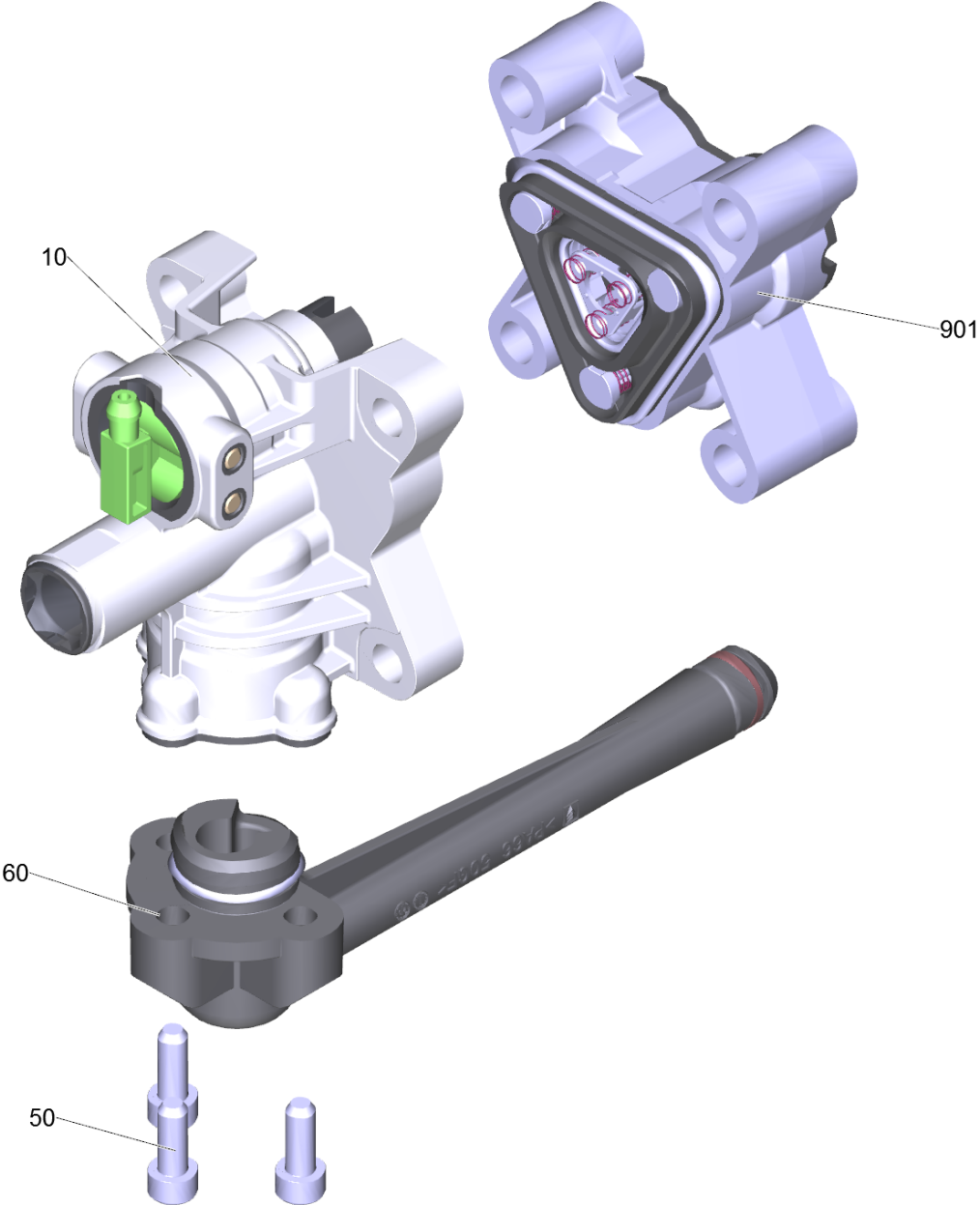
109 Pump set complete Compact K5 NCR

POS	Article no.	Description	Quantity	Unit
90	7.306-151.0	Cylinder head screw M8x65 -8.8-A2E ISO4	4.000	ST
160		Electric box compact K3/K4/K5	1.000	ST
150	4.470-041.0	High pressure quick-fitting pipe union A	1.000	ST
901	4.100-707.0	Motor complete for replacement K5 NCR *E	1.000	ST
130		Pump coating K5 NCR	1.000	ST
70	9.086-218.0	Screw M4X10 TORX T20 TAP-TITE THREAD	1.000	ST
190	7.303-039.0	Screw M5x16 -St-P2R (In6Rd)	2.000	ST
140	4.100-705.0	Set suction socket for replacement	1.000	ST
50	9.048-071.0	Spacer - Seal	1.000	ST
80		Thrust guidance complete K5	1.000	ST



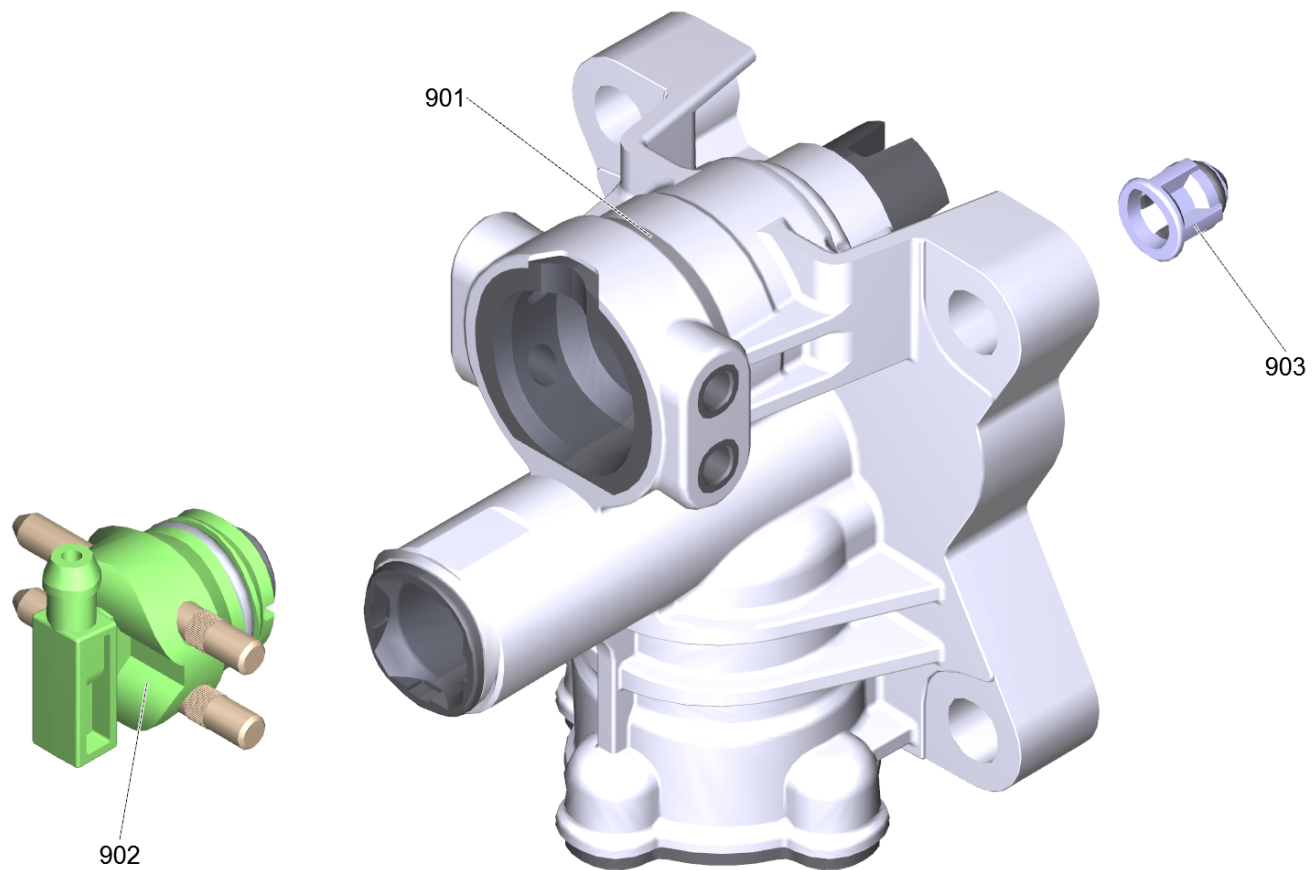
80 Thrust guidance complete K5

POS	Article no.	Description	Quantity	Unit
191	9.078-015.0	Grooved ring	3.000	ST
186	9.080-425.0	O-Ring seal 60 x 2 NBR 70	1.000	ST
901	9.001-927.0	Piston complete	3.000	ST
187	9.042-151.0	Pistons guide pump K5 FC machined	1.000	ST
210	9.038-428.0	Supportring 6,7 mm	3.000	ST



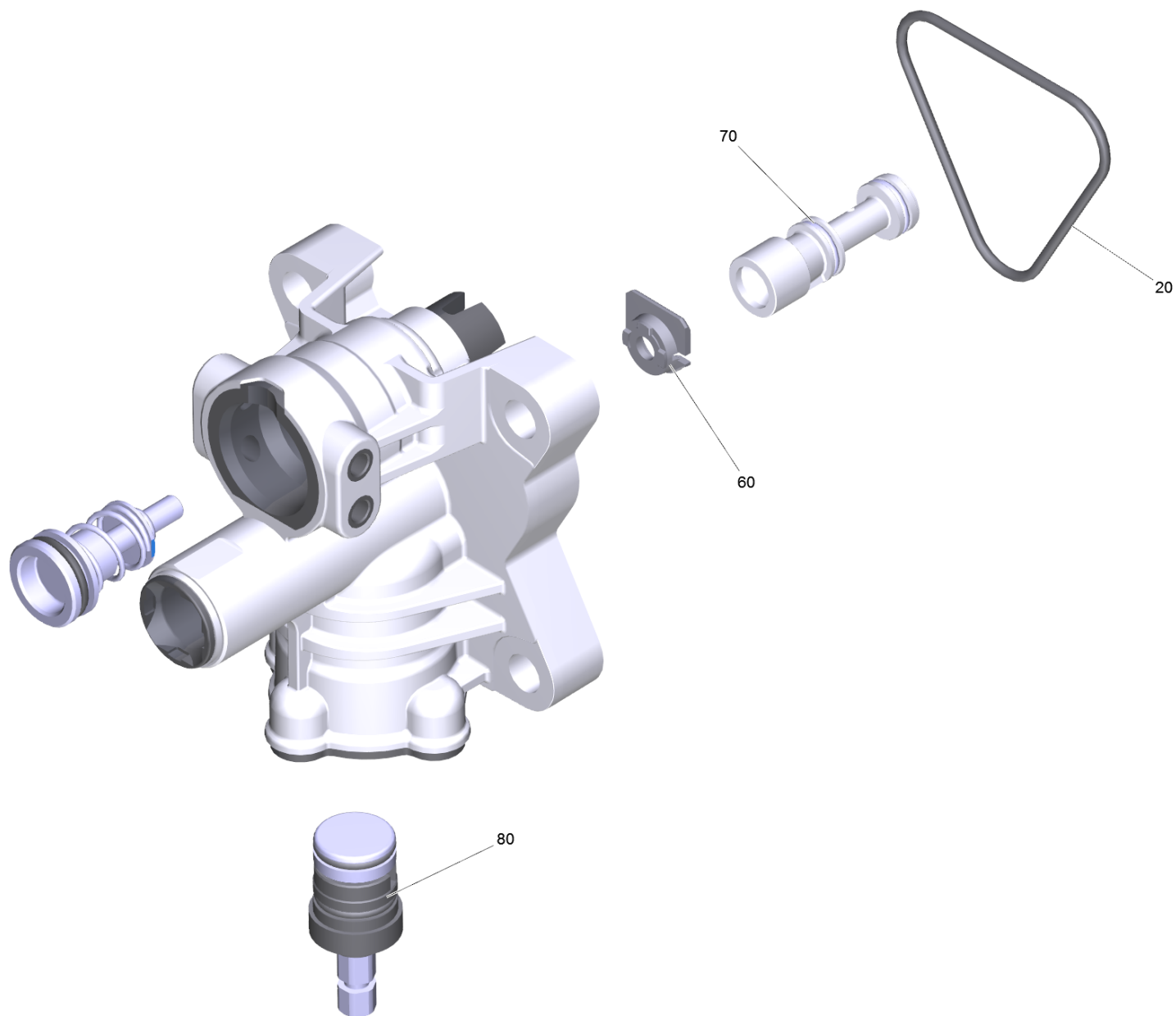
130 Pump coating K5 NCR

POS	Article no.	Description	Quantity	Unit
10		Ass. Manifold 2K K5	1.000	ST
60	9.013-346.0	Manifold fitting K5 FC kpl	1.000	ST
901	9.002-456.0	Pump head Alu FC ric	1.000	ST
50	9.086-199.0	Screw M6x16	3.000	ST



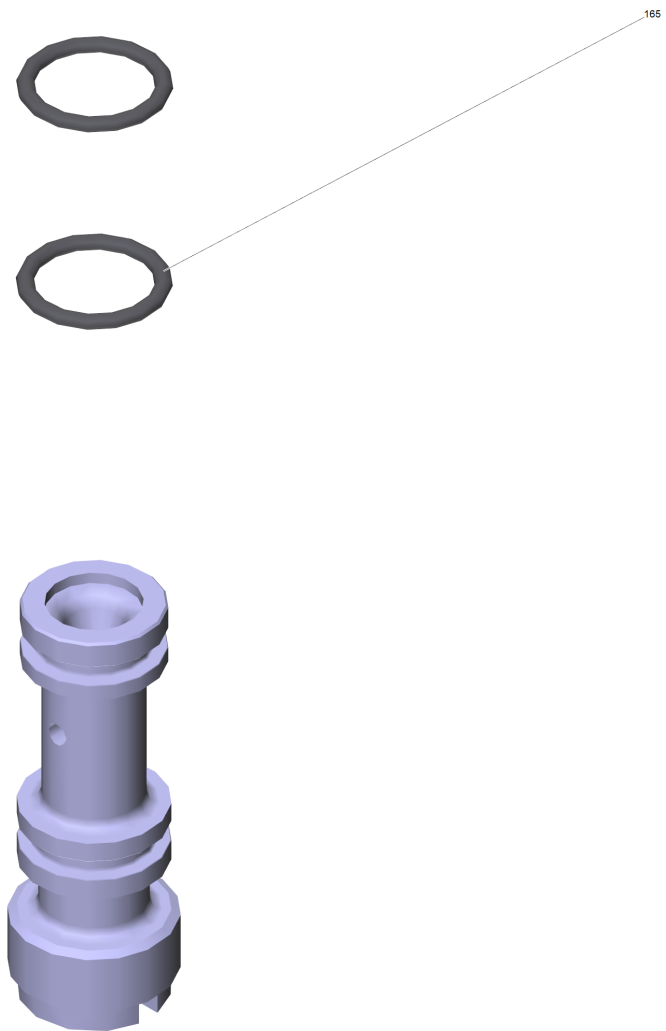
10 Ass. Manifold 2K K5

POS	Article no.	Description	Quantity	Unit
902	9.001-277.0	Spare parts set chemistry	1.000	ST
901	9.002-442.0	Spare parts set control head FC	1.000	ST
903	4.584-022.0	Valve pin complete	1.000	ST



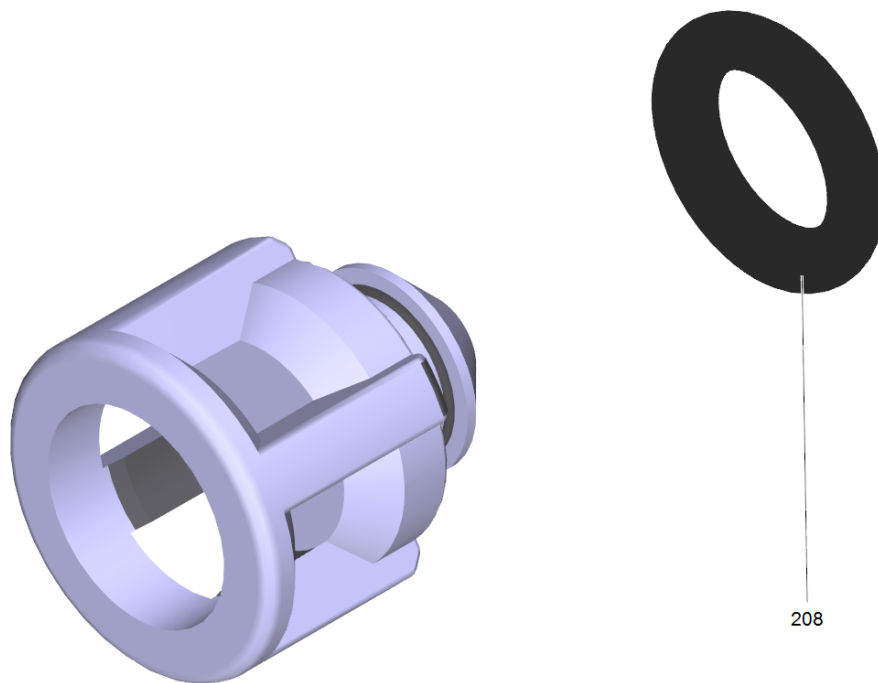
901 Spare parts set control head FC (9.002-442.0)

POS	Article no.	Description	Quantity	Unit
20	9.081-424.0	Form seal	1.000	ST
70	4.769-035.0	Nozzle insert	1.000	ST
80	9.002-164.0	plastic by pass (spare)	1.000	ST
60	9.038-530.0	Spacer E-box FC (spare)	1.000	ST



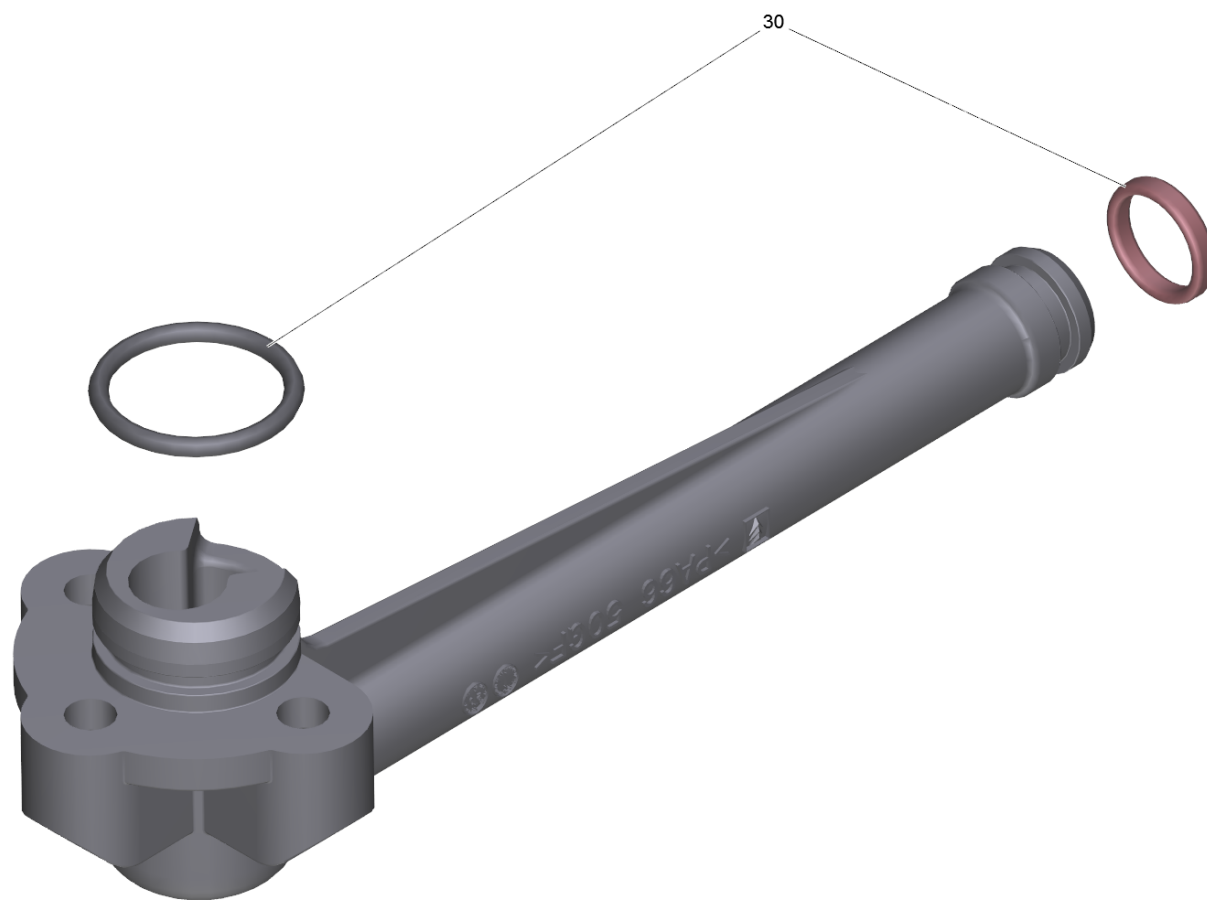
70 Nozzle insert (4.769-035.0)

POS	Article no.	Description	Quantity	Unit
165	6.362-384.0	O-Ring seal 9x1,5 - NBR 70	2.000	ST



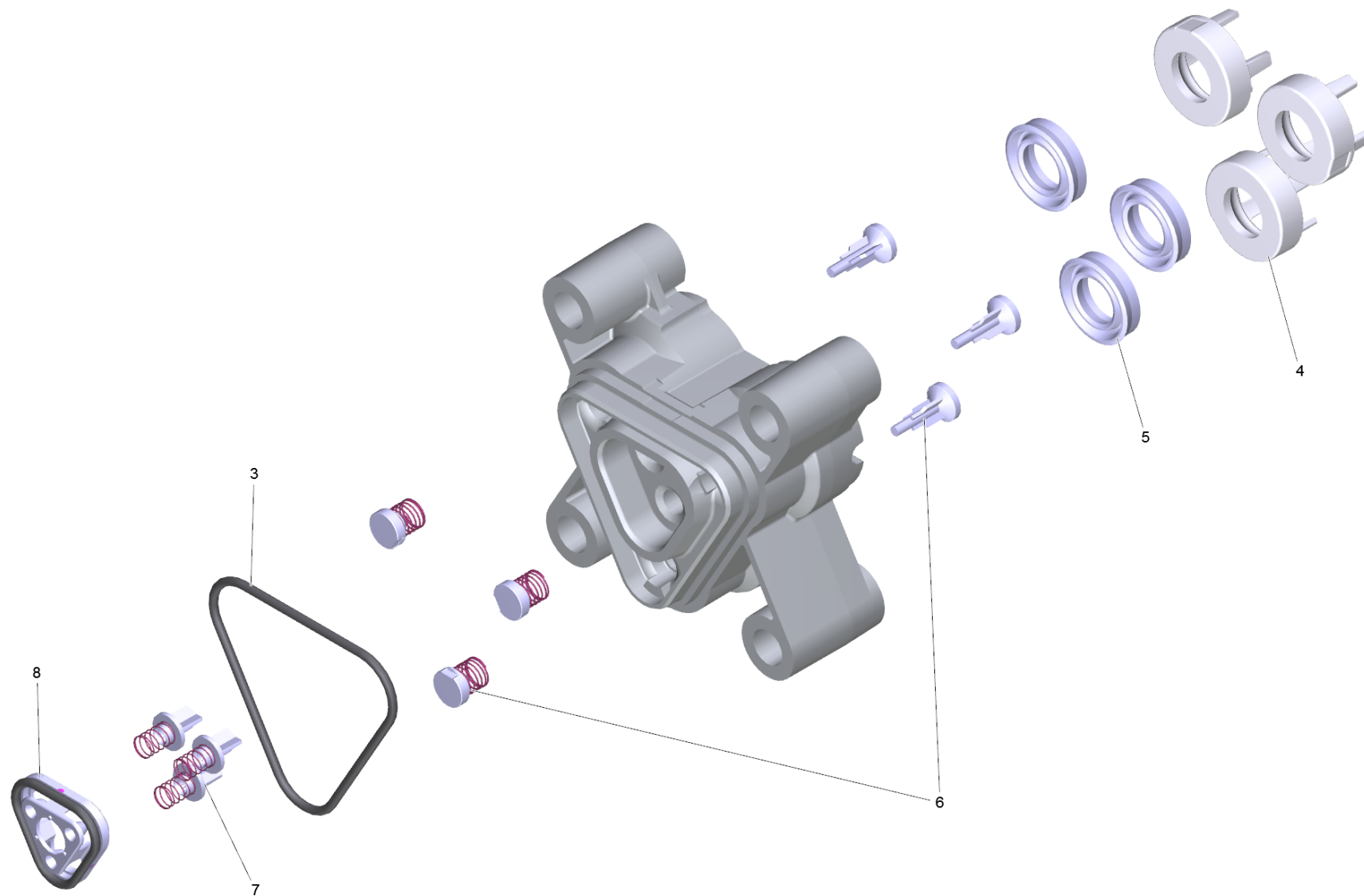
903 Valve pin complete (4.584-022.0)

POS	Article no.	Description	Quantity	Unit
208	6.363-613.0	O-Ring seal 4 x 2 -NBR90	1.000	ST



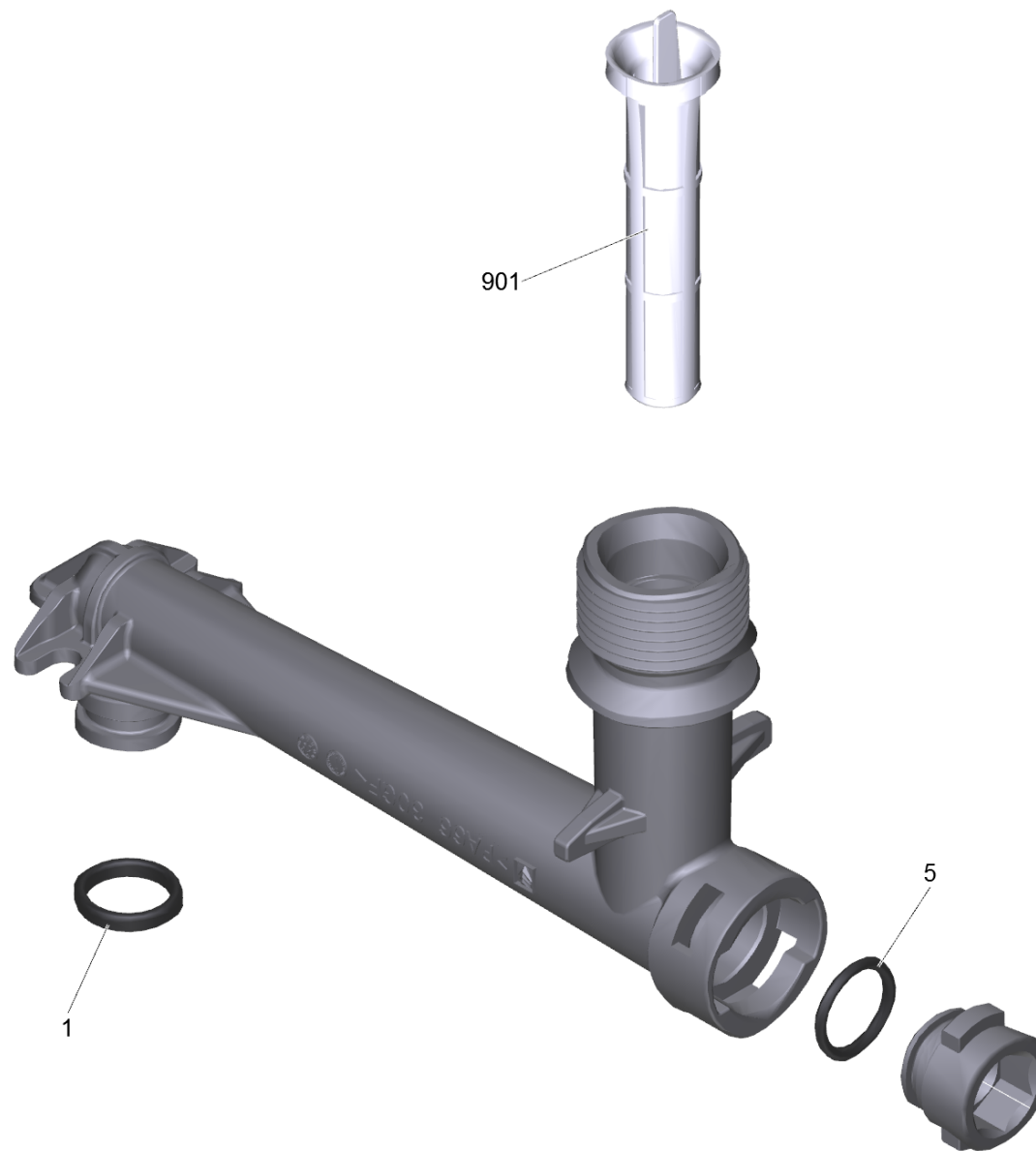
60 Manifold fitting K5 FC kpl (9.013-346.0)

POS	Article no.	Description	Quantity	Unit
30	9.002-444.0	kIT O-ring Manifold fitting pump K5 FC	1.000	ST



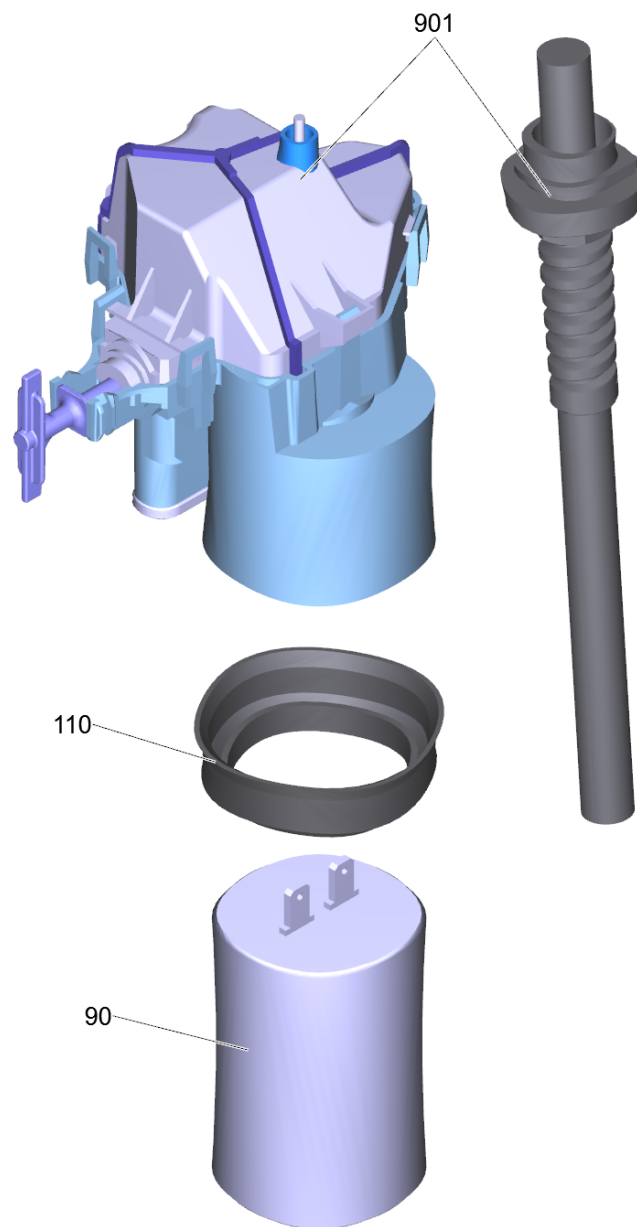
901 Pump head Alu FC ric (9.002-456.0)

POS	Article no.	Description	Quantity	Unit
3	9.081-424.0	Form seal	1.000	ST
5	6.362-875.0	Grooved ring	3.000	ST
8	9.001-276.0	Joining piece	1.000	ST
6	9.001-110.0	Moulded part complete	1.000	ST
4	9.038-428.0	Supportring 6,7 mm	3.000	ST
7	9.001-275.0	Valve set	1.000	ST



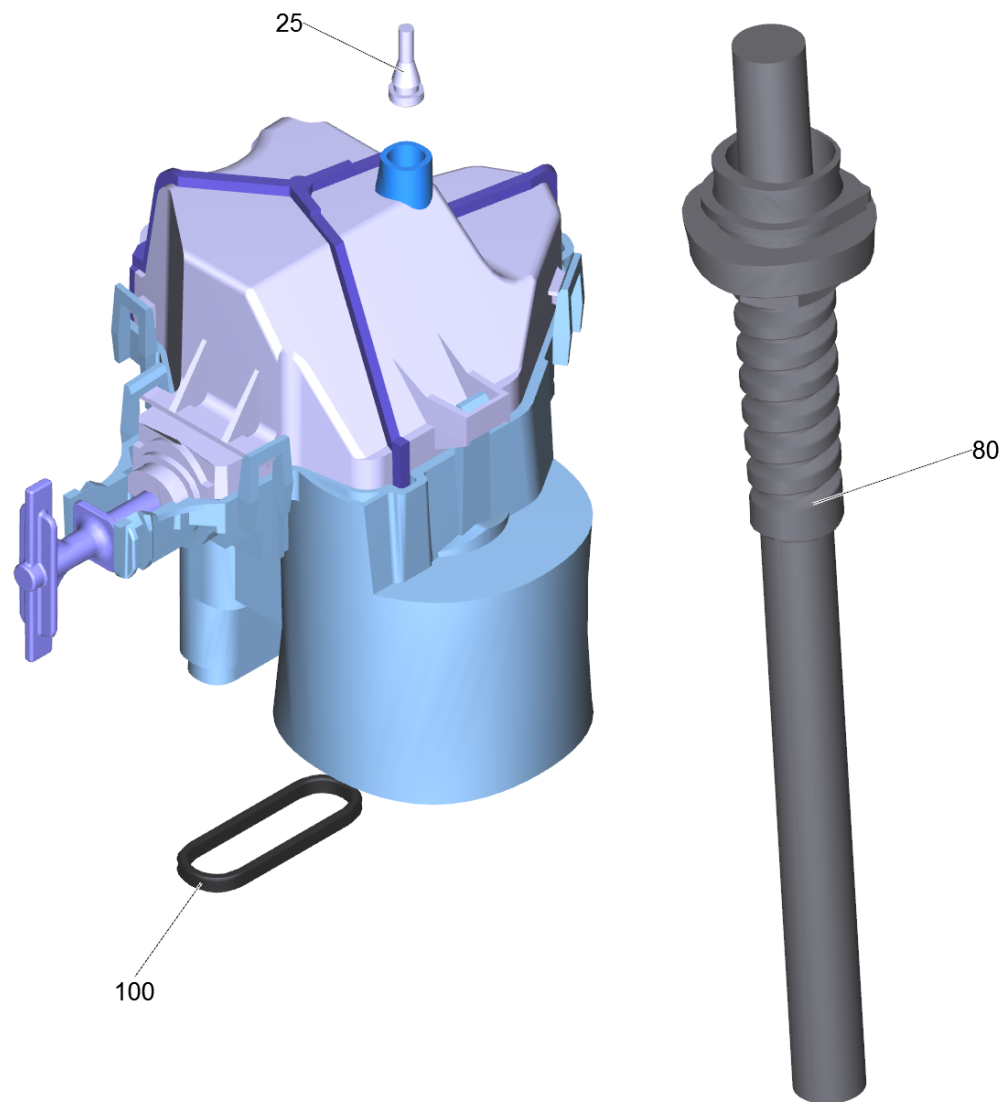
140 Set suction socket for replacement (4.100-705.0)

POS	Article no.	Description	Quantity	Unit
901	5.731-598.0	Fine filter long	1.000	ST
5	6.362-169.0	O-Ring seal 12,0 X 2,0	1.000	ST
1	9.080-513.0	OR 12x2.1 EPDM 70 perox	1.000	ST



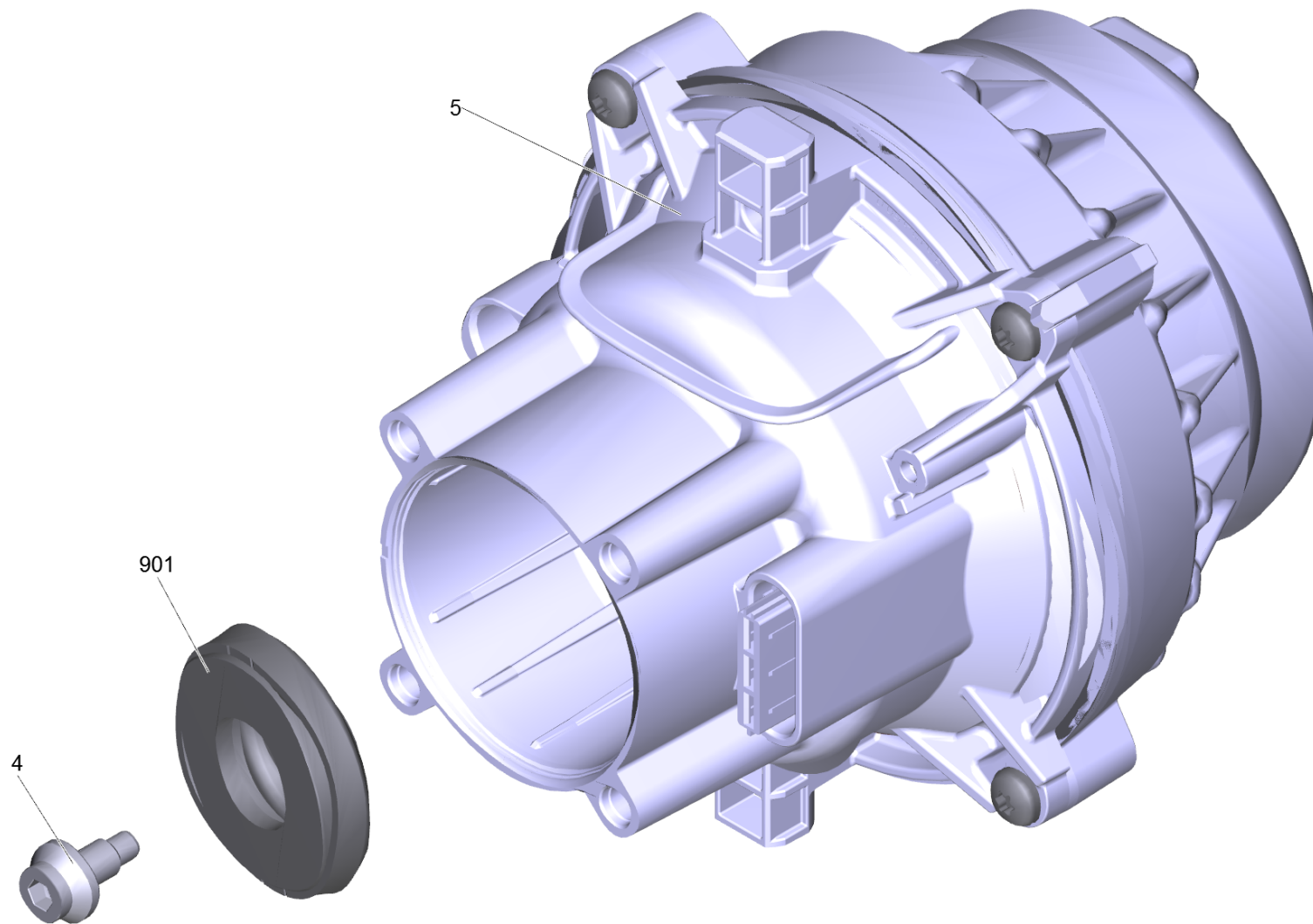
160 Electric box compact K3/K4/K5

POS	Article no.	Description	Quantity	Unit
90	9.085-095.0	Capacitor 32uF	1.000	ST
901	9.001-879.0	Electric box complete	1.000	ST
110	9.080-465.0	Joint ring capacitor d.45, 70 Shore	1.000	ST



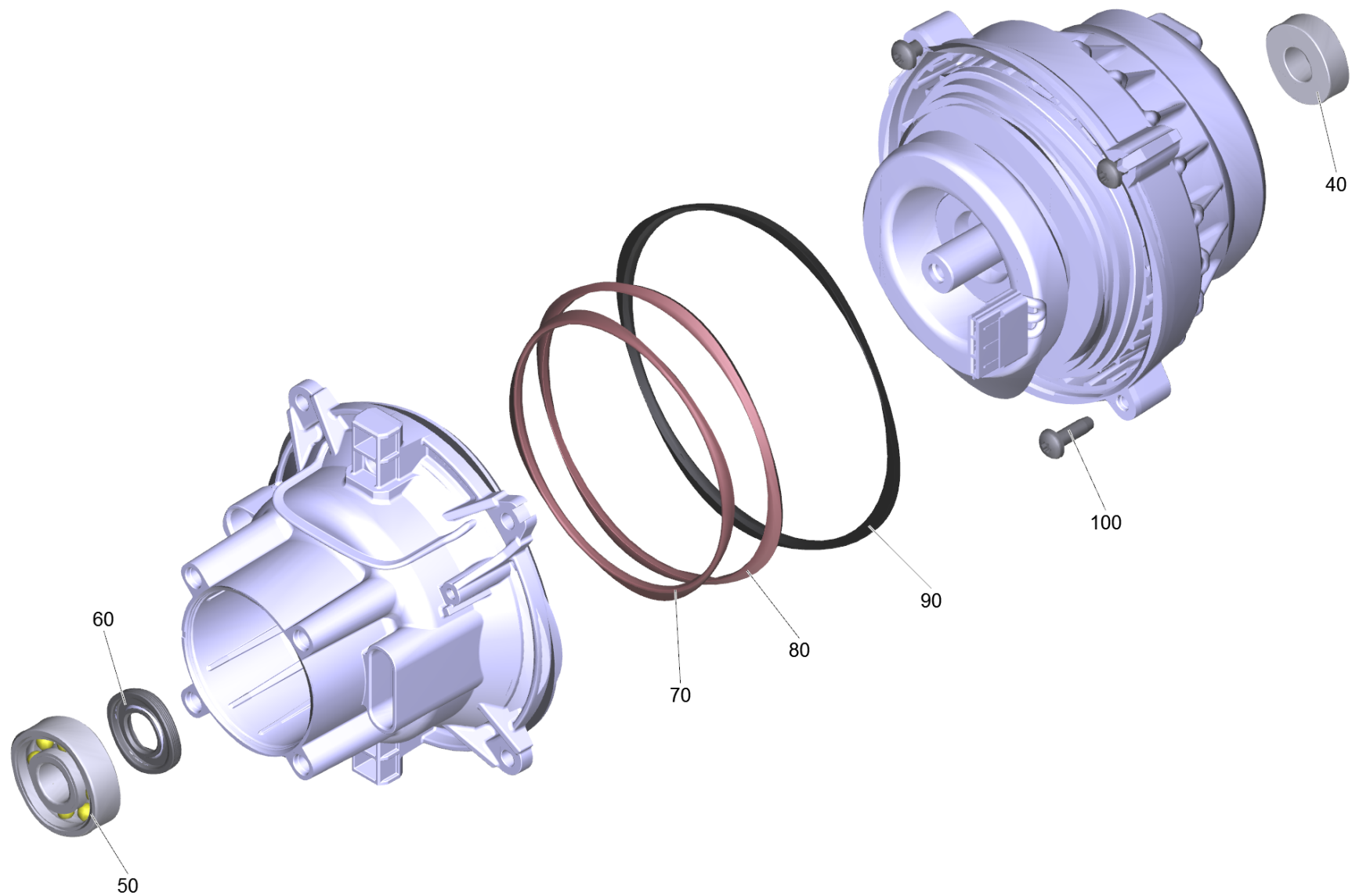
901 Electric box complete (9.001-879.0)

POS	Article no.	Description	Quantity	Unit
80	9.084-139.0	Cable with plug *EU	1.000	ST
25	9.760-054.0	E-box sealing cap	1.000	ST
100	9.080-493.0	O-Ring 19,3 x 2,4	1.000	ST



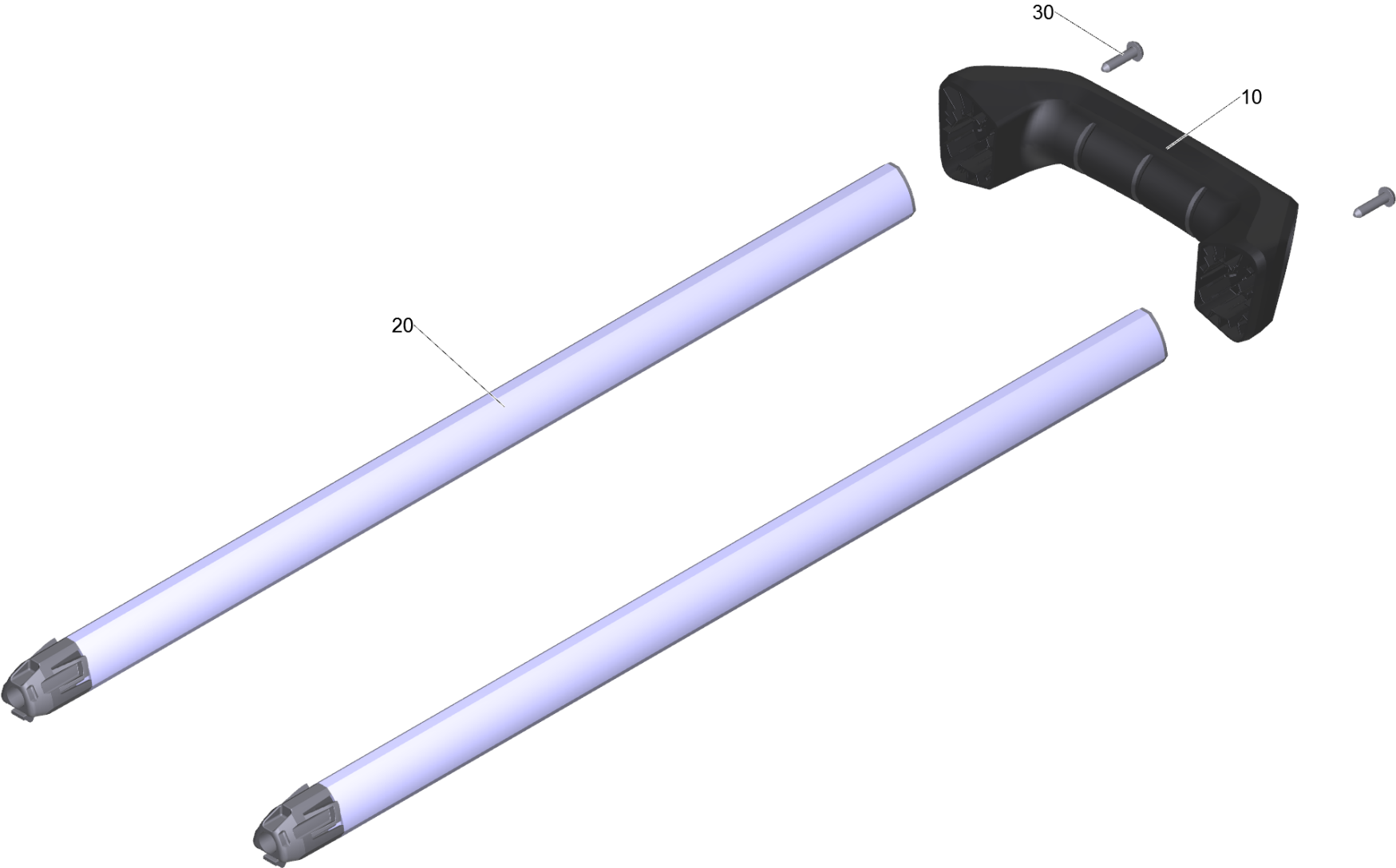
901 Motor complete for replacement K5 NCR *E (4.100-707.0)

POS	Article no.	Description	Quantity	Unit
5		Motor Complete K5 NCR H85 WCM3.5	1.000	ST
4	9.086-233.0	Screw wobble plate	1.000	ST
901	9.001-671.0	Wobble plate	1.000	ST



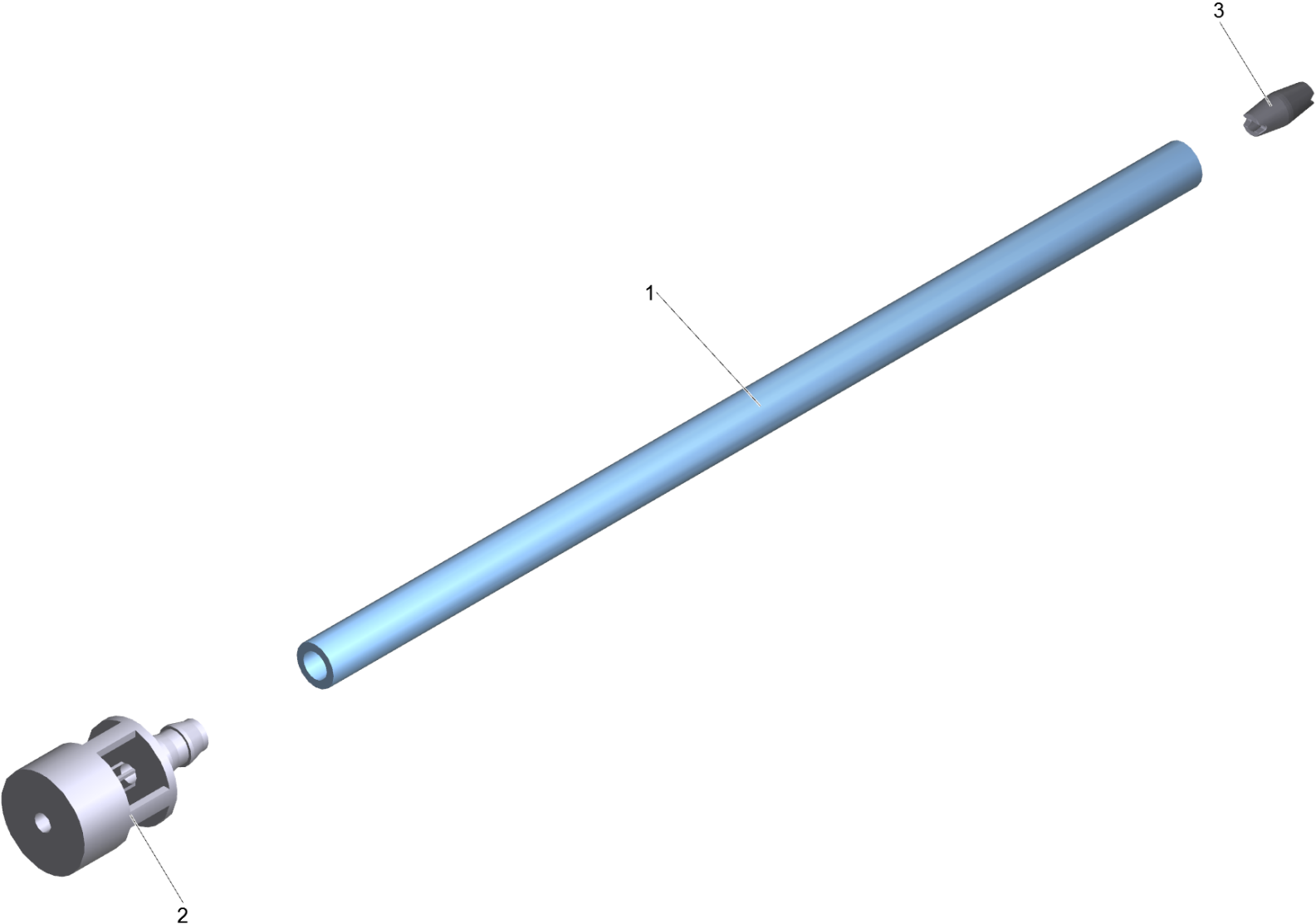
5 Motor Complete K5 NCR H85 WCM3.5

POS	Article no.	Description	Quantity	Unit
40	7.401-128.0	Ball bearing 6202-2RS -Wälzl.St DIN 625	1.000	ST
50	7.401-010.0	Ball bearing 6303 -St DIN 625	1.000	ST
60	9.078-021.0	Grooved ring 17x35x5	1.000	ST
70	9.760-956.0	O-Ring seal 113,0x3,0 EPDM 70	1.000	ST
80		O-Ring seal 125,6x3 EPDM 70	1.000	ST
90		O-Ring seal 144,0x3,0 EPDM 70	1.000	ST
100	7.303-048.0	Screw M6x20 -St-R3R (In6Rd)	4.000	ST



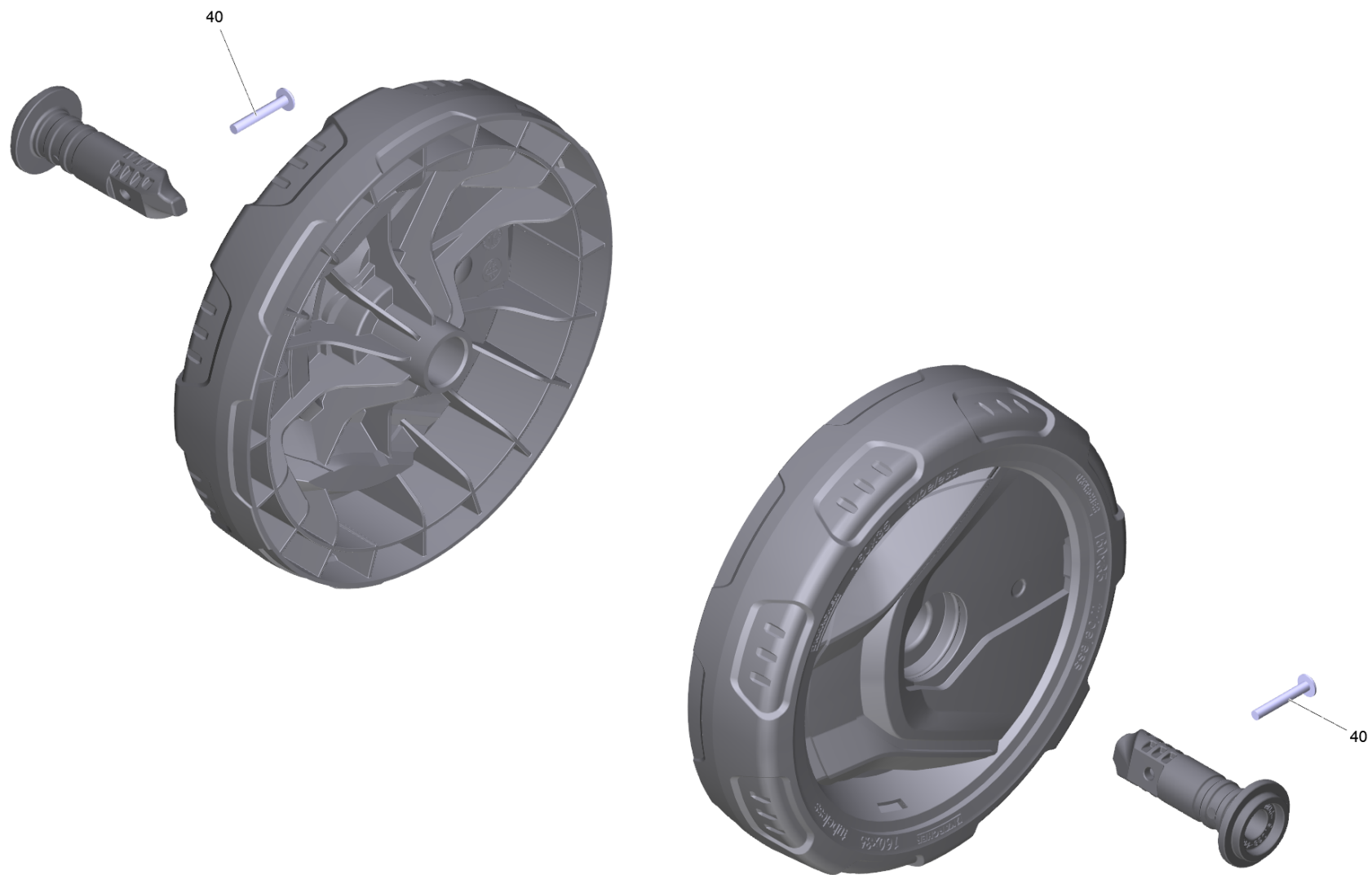
115 Handle Complete Assembly NCR

POS	Article no.	Description	Quantity	Unit
20	9.013-571.3	Handle bar for replacement K4/5 NCR	2.000	ST
30	9.086-220.0	Screw ST.4x17 P2R	2.000	ST
10	9.002-447.0	Spare part Handle FC packed	1.000	ST



120 Hose Detergent Compact NCR

POS	Article no.	Description	Quantity	Unit
2	5.731-652.0	Filter with weight	1.000	ST
3	9.038-548.0	Flow reducer detergent	1.000	ST
1	6.388-216.0	Hose DN 5	0.750	M



127 Wheel in pairs FC 1K D160 (9.002-438.0)

POS	Article no.	Description	Quantity	Unit
40	9.086-221.0	Screw ATF 4.1x22	1.000	ST
