

Spare parts list

(1.374-301.0) HD 13/12 ST *EU- I

Table of contents

HD 13/12 ST *EU- I (1.374-301.0)	4
82 Documentation pocket HD9/16 ST	5
12 Spare parts list HD 9/16 ST (5.958-996.0)	6
10 Individual parts	7
20 Pump set	9
21 Cylinder head	10
22 Valves	12
23 Piston	14
24 Chemistry	16
30 Motor	18
31 Transmission	19
32 Ventilation	21
40 Float tank	24
41 Float tank	25
42 Float tank	27
50 Motor protecting switch	29
60 Accessories	31
61 Hand trigger gun	32
18 Spare parts set (2.883-888.0)	34
22 Rotary controller 416L (4.775-470.0)	35
22 Rotary controller 700L (4.775-471.0)	37
62 Hand trigger gun	39
1 HAND TRIGGER GUN EASY PRESS (4.775-463.0)	41
9002 Lever complete (4.481-209.0)	43
4 Rotary controller 416L (4.775-470.0)	45
13 Lever complete (4.481-209.0)	47
63 Jet pipe	49
Jet pipe packaged only for replacement (4.760-660.0)	51
64 Nozzle	53
Triple jet nozzle 045 (4.767-002.0)	55
2 Spare parts list triple jet nozzle (5.958-516.0)	56
10 Triple jet nozzle	57
17 Triple jet nozzle replacement 036 (4.767-148.0)	59
2 Spare parts list triple jet nozzle (5.970-837.0)	60
10 Triple jet nozzle plastics	61
20 Triple jet nozzle brass	63
17 Triple jet nozzle replacement 036 (4.767-148.0)	65
2 Spare parts list triple jet nozzle (5.970-837.0)	66

Table of contents

10 Triple jet nozzle plastics	67
20 Triple jet nozzle brass	69
Triple jet nozzle 065 (4.767-019.0)	71
2 Spare parts list triple jet nozzle (5.958-516.0)	72
10 Triple jet nozzle	73
17 Triple jet nozzle replacement 036 (4.767-148.0)	75
2 Spare parts list triple jet nozzle (5.970-837.0)	76
10 Triple jet nozzle plastics	77
20 Triple jet nozzle brass	79
17 Triple jet nozzle replacement 036 (4.767-148.0)	81
2 Spare parts list triple jet nozzle (5.970-837.0)	82
10 Triple jet nozzle plastics	83
20 Triple jet nozzle brass	85
Triple jet nozzle 100 (4.767-106.0)	87
20 Spare parts list triple jet nozzle (5.970-000.0)	88
10 Triple jet nozzle	89
17 Nozzle holder 055 (4.764-159.0)	91
70 Electric control box	92

HD 13/12 ST *EU- I (1.374-301.0)

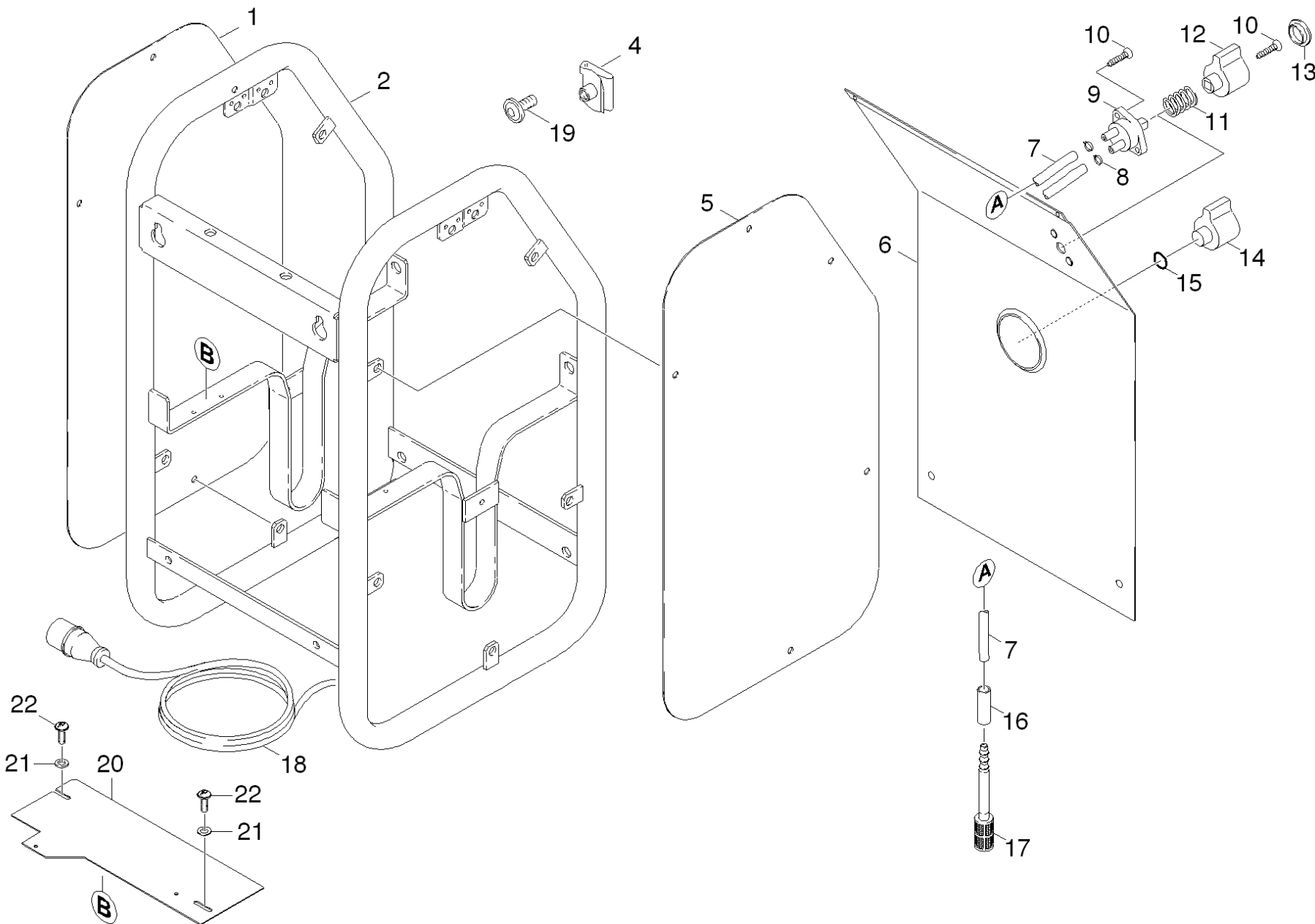
POS	Description	Quantity	Unit
82	Documentation pocket HD9/16 ST	1.000	ST
	Item text2: 13743010		

82 Documentation pocket HD9/16 ST

POS	Article no.	Description	Quantity	Unit
12	5.958-996.0	Spare parts list HD 9/16 ST	1.000	ST
	Item text2: 49512610			

12 Spare parts list HD 9/16 ST (5.958-996.0)

POS	Description	Quantity	Unit
60	Accessories	1.000	ST
70	Electric control box	1.000	ST
40	Float tank	1.000	ST
10	Individual parts	1.000	ST
30	Motor	1.000	ST
50	Motor protecting switch	1.000	ST
20	Pump set	1.000	ST

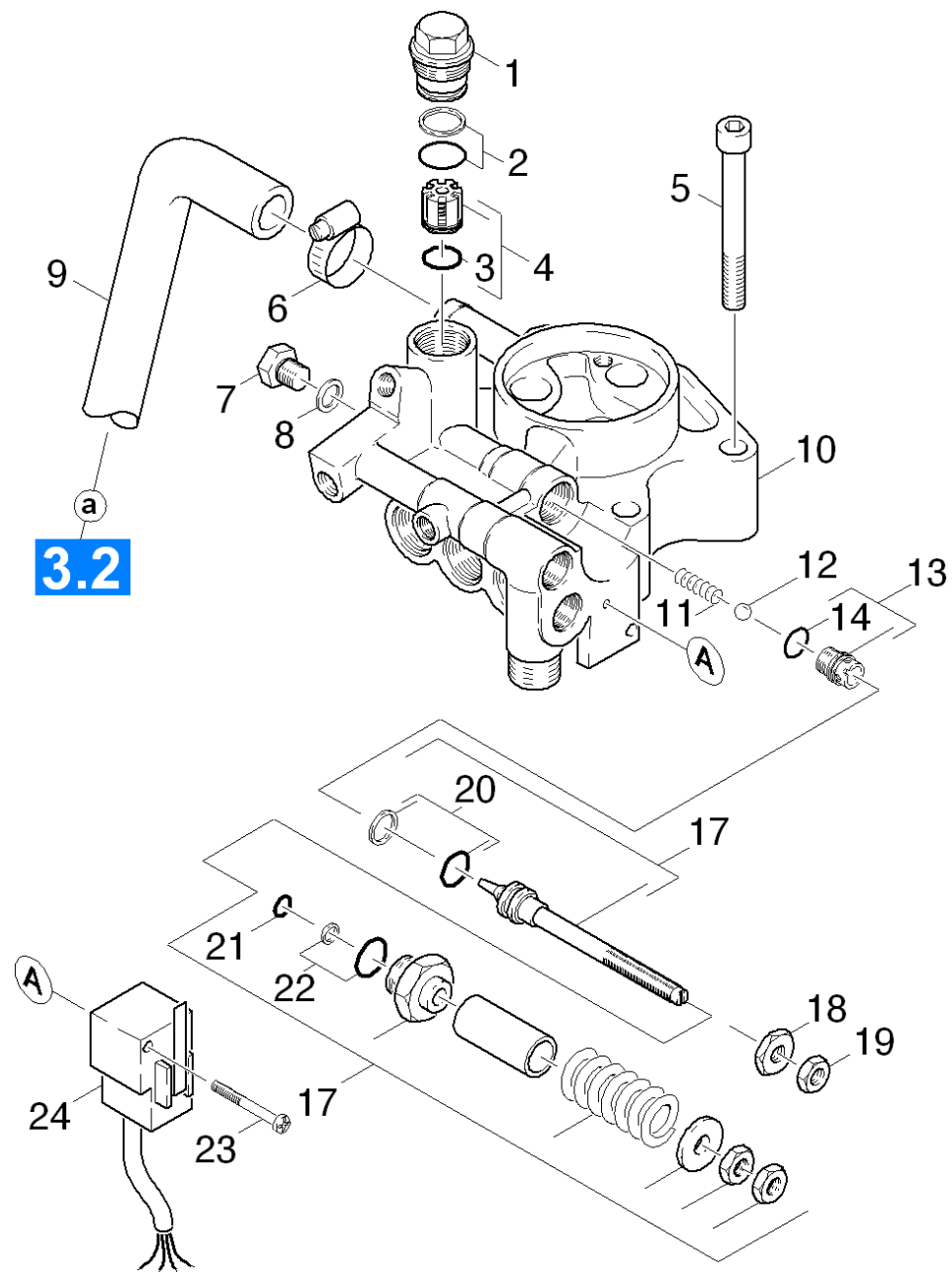


10 Individual parts

POS	Article no.	Description	Quantity	Unit
18	4.822-241.0	Cable complete	1.000	ST
	Item text1: / 1.374-101.0 / -201.0 / -301.0			
18	6.648-881.0	Cable with plug	1.000	ST
	Item text1: / 1.374-102.0 / -202.0 / -302.0			
10	7.303-125.0	Countersunk screw 4x16 -10.9-R2R (In6Rd)	3.000	ST
17	6.414-136.0	Filter	1.000	ST
2	4.050-619.0	Frame	1.000	ST
6	5.058-464.0	Front panel HD 9/16 ST	1.000	ST
14	5.321-556.0	Handhold	1.000	ST
12	5.321-067.0	Handhold	1.000	ST
11	5.332-028.0	Helical spring	1.000	ST
8	6.388-560.0	Hose clip	2.000	ST
7	6.388-194.0	Hose DN 7	2.000	M
15	6.472-112.0	O-Ring seal 10,0 x 2,4 NBR 70	1.000	ST
19	6.304-153.0	Oval head screw M6x12-A2 aeahl: ISO 738	18.000	ST
20	5.009-547.0	Plate bracket float tank	1.000	ST
13	5.132-010.0	Plug	1.000	ST
4	6.130-001.0	Putting nut	18.000	ST
22	7.303-037.0	Screw M5x10 -St-P2R (In6Rd)	2.000	ST
1	5.059-901.0	Side plate	1.000	ST
5	5.059-900.0	Side plate	1.000	ST
16	5.025-747.0	Tube	1.000	ST
9	4.580-102.0	Valve	1.000	ST
21	7.312-002.0	Washer 5-200HV-A3E ISO 7090	2.000	ST

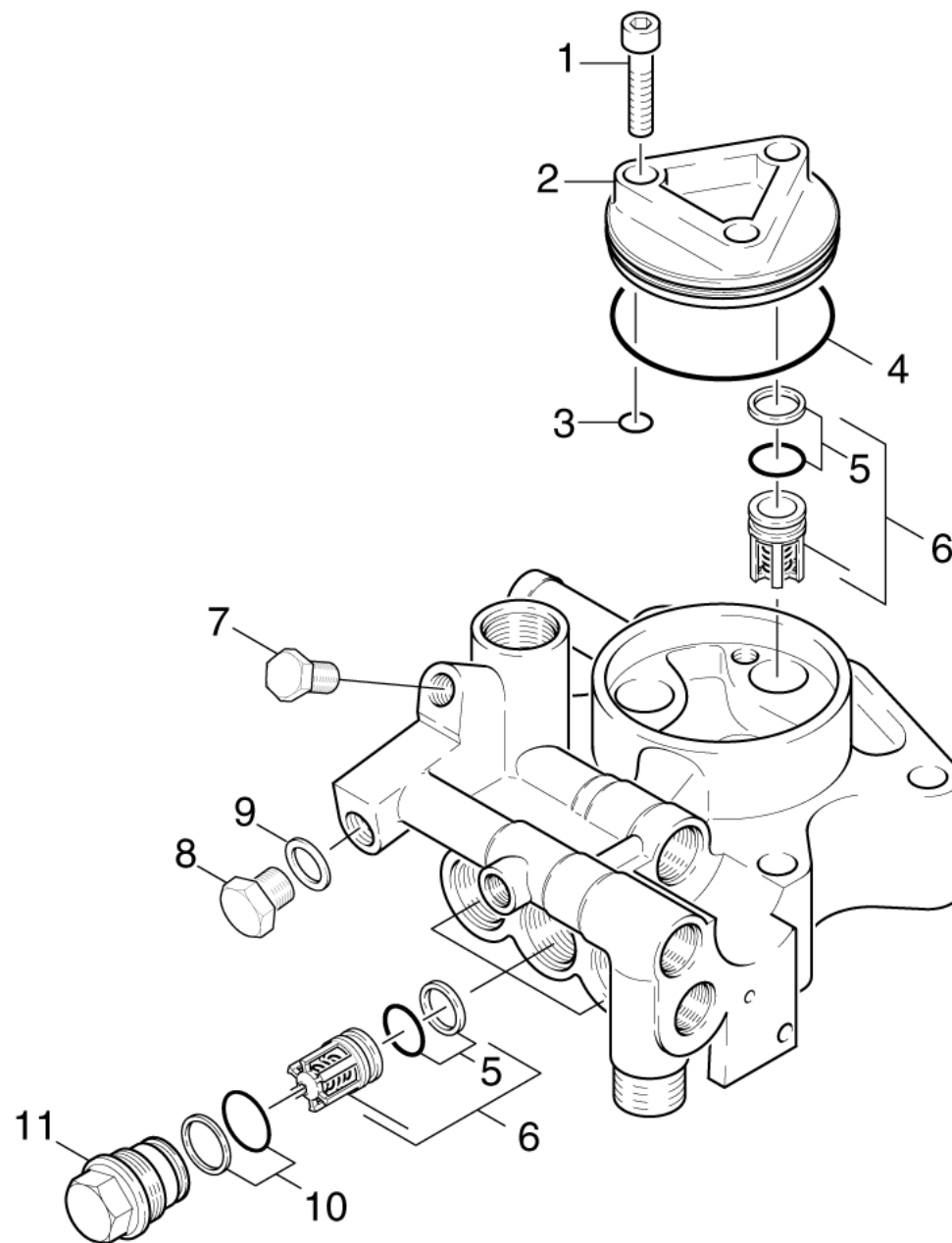
20 Pump set

POS	Description	Quantity	Unit
24	Chemistry	1.000	ST
21	Cylinder head	1.000	ST
23	Piston	1.000	ST
22	Valves	1.000	ST



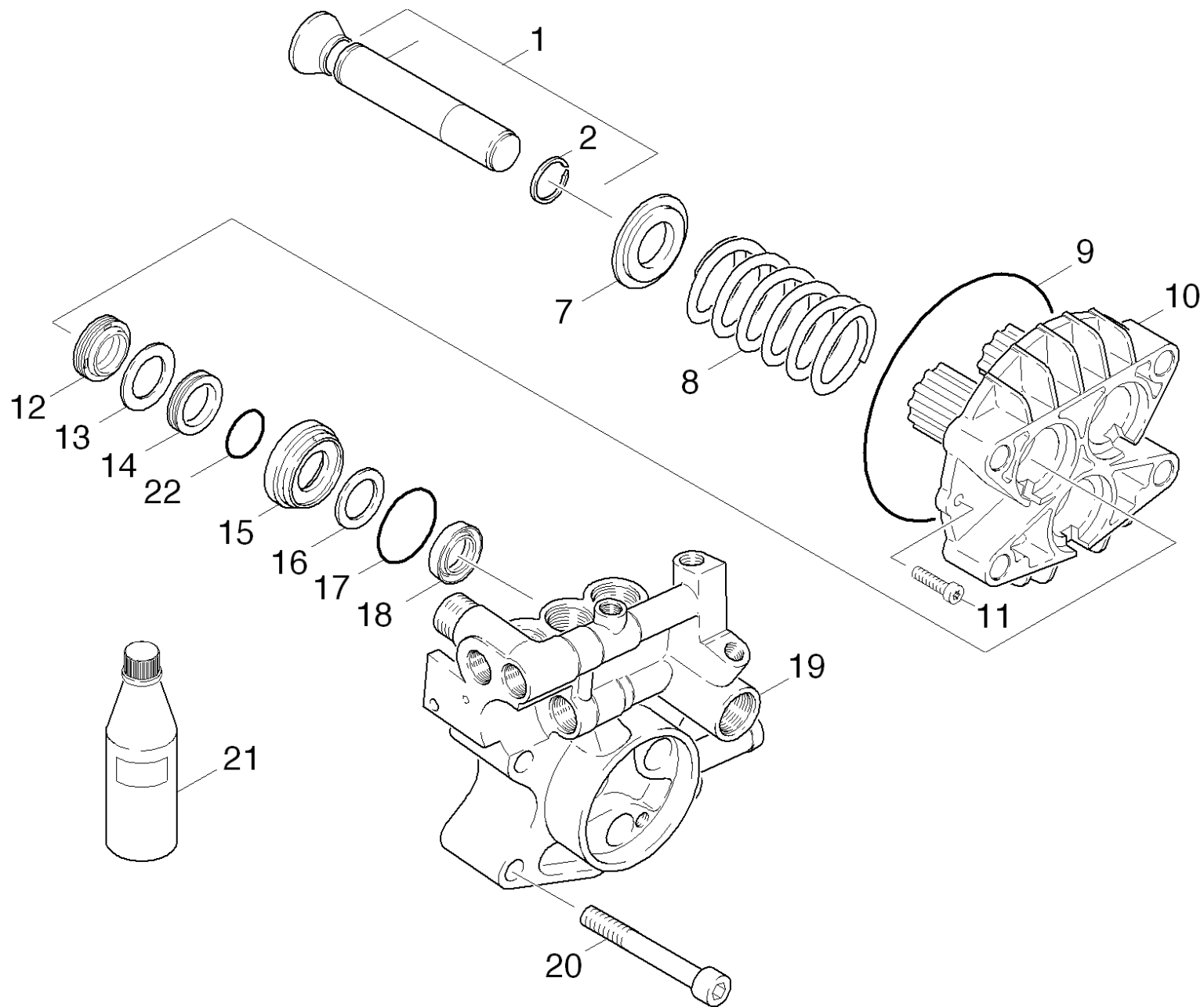
21 Cylinder head

POS	Article no.	Description	Quantity	Unit
10	5.550-229.0	Cylinder head	1.000	ST
5	7.306-091.0	Cylinder head screw M12x90- 8.8-A3E ISO	4.000	ST
17	4.591-044.0	Excess-current	1.000	ST
11	5.332-999.0	Helical spring	1.000	ST
18	5.311-177.0	Hexagon nut	1.000	ST
19	7.311-004.0	Hexagon nut M8 -8-A3E ISO 4032	1.000	ST
9	5.442-997.0	Hose	1.000	ST
6	7.373-022.0	Hose clip A-16-27x9 -W2-2 DIN3017	4.000	ST
8	7.362-004.0	Joint ring A12x15,5 -Cu DIN 7603	1.000	ST
24	6.630-008.0	Micro switch	1.000	ST
21	6.362-182.0	O-Ring seal 7,65x1,78 - NBR 90	1.000	ST
14	6.362-858.0	O-Ring seal 11,0 X 1,5	1.000	ST
3	6.362-381.0	O-Ring seal 13x2 - NBR 70	1.000	ST
2	6.362-500.0	O-Ring seal complete /1ST.-R.	1.000	ST
22	6.362-365.0	O-Ring seal complete 1ST.-R.- 7,65X 1,7	1.000	ST
20	6.363-333.0	O-Ring seal complete 12,42 H-NBR 85 1St-	1.000	ST
23	7.306-320.0	Oval head screw M 5x40-A2-70 ISO 7045	1.000	ST
7	5.411-117.0	Screw plug	1.000	ST
12	7.401-907.0	Sphere 3/8 G200-1.4301 DIN 5401	1.000	ST
4	4.580-262.0	Valve complete	1.000	ST
1	5.583-125.0	Valve screw	1.000	ST
13	4.581-019.0	Valve seat	1.000	ST



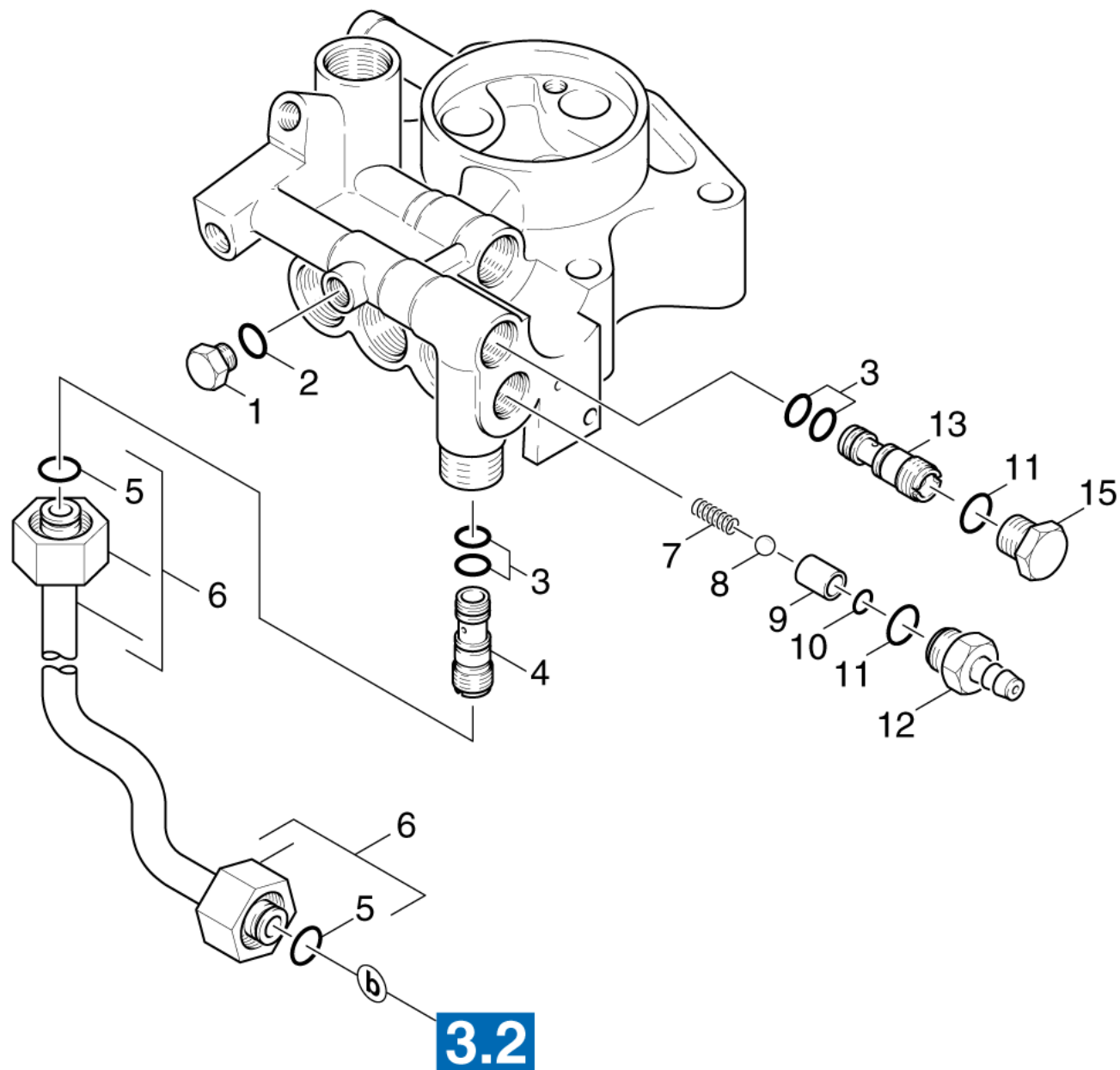
22 Valves

POS	Article no.	Description	Quantity	Unit
2	5.063-611.0	Cover housing	1.000	ST
1	7.306-074.0	Cylinder head screw M10x35-8.8-A3E ISO4	3.000	ST
9	7.362-004.0	Joint ring A12x15,5 -Cu DIN 7603	1.000	ST
3	6.362-858.0	O-Ring seal 11,0 X 1,5	3.000	ST
4	6.362-501.0	O-Ring seal 68,0 X 2,0-NBR 70	1.000	ST
10	6.362-500.0	O-Ring seal complete /1ST.-R.	3.000	ST
5	4.363-693.0	O-Ring seal kpl. -nur fuer Ersatz-	6.000	ST
8	5.411-117.0	Screw plug	1.000	ST
7	7.382-274.0	Screw plug R1/8"-CuZn DIN 909	1.000	ST
11	5.583-125.0	Valve screw	3.000	ST
6	2.884-906.0	Válvula triple (3 stueck)	2.000	ST



23 Piston

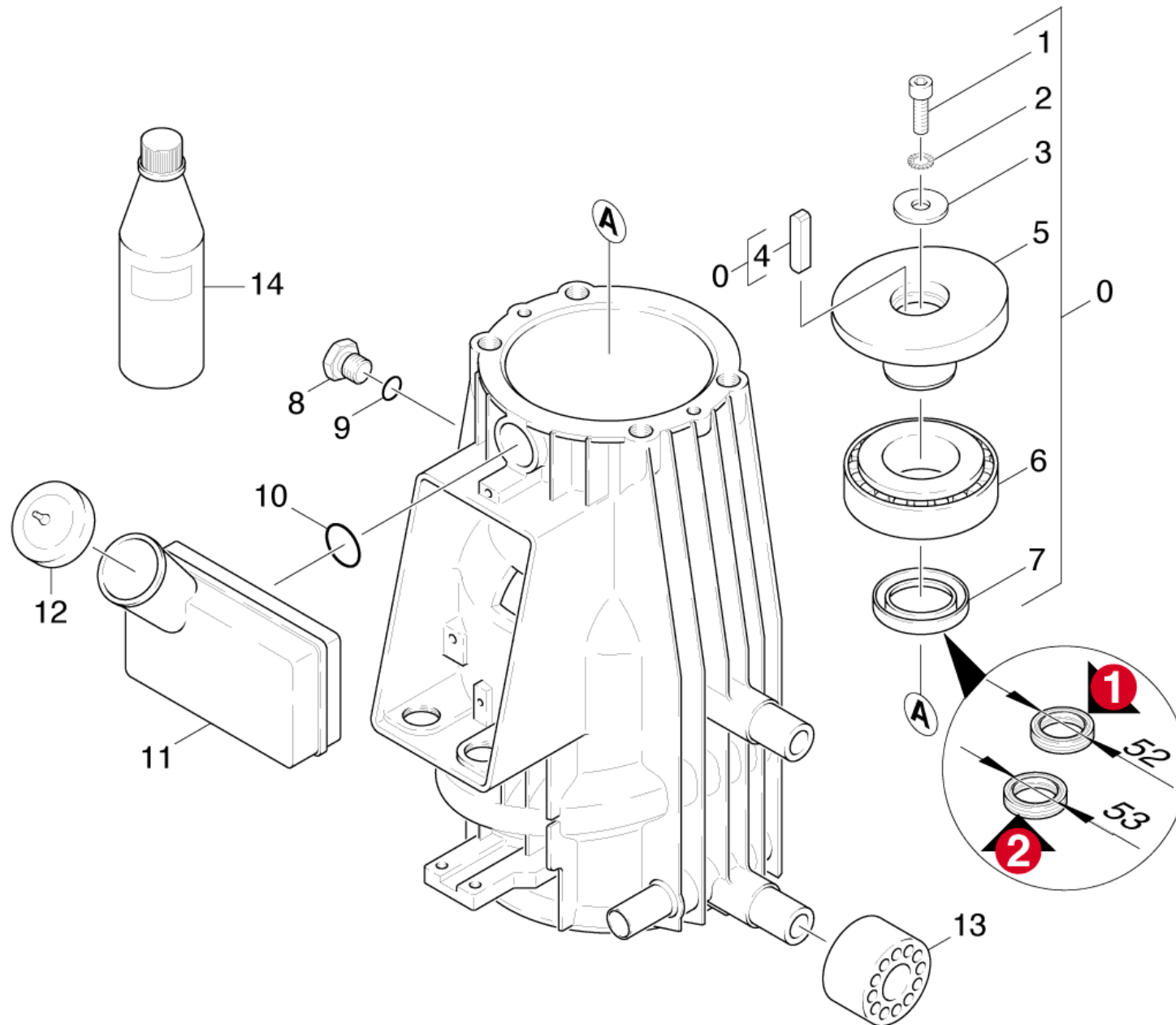
POS	Article no.	Description	Quantity	Unit
15	5.112-772.0	Bush HDS D22	3.000	ST
19	5.550-229.0	Cylinder head	1.000	ST
11	7.306-023.0	Cylinder head screw M6x25 -8.8-A2E ISO4	2.000	ST
20	7.306-091.0	Cylinder head screw M12x90- 8.8-A3E ISO	4.000	ST
21	6.288-016.0	Gear oil 1L	1.000	ST
18	6.365-055.0	Grooved ring 22x30x5	3.000	ST
12	6.365-059.0	Grooved ring 22X30X6/8	3.000	ST
8	5.332-281.0	Helical spring	3.000	ST
10	5.060-630.0	Housing	1.000	ST
14	5.363-386.0	Joint ring	3.000	ST
22	6.362-981.0	O-Ring seal 23,39X3,53	3.000	ST
17	6.363-607.0	O-Ring seal 34,65 x 1,78 -NBR70	3.000	ST
9	6.362-796.0	O-Ring seal 107,62X 2,62	1.000	ST
1	4.553-283.0	Piston complete only for replacement	3.000	ST
2	6.343-142.0	Snap ring WR 22	3.000	ST
13	5.115-520.0	Washer	3.000	ST
7	5.115-522.0	Washer	3.000	ST
16	5.115-521.0	Washer	3.000	ST



POS	Article no.	Description	Quantity	Unit
7	5.332-258.0	Helical spring	1.000	ST
4	5.769-152.0	Nozzle insert D1,9/D2,5/L38	1.000	ST
13	5.769-135.0	Nozzle insert D2,8/ D3,4/ L38	1.000	ST
5	2.880-154.0	O-Ring kit	2.000	ST
10	6.362-383.0	O-Ring seal 6,0 X 2,0	1.000	ST
2	6.362-101.0	O-Ring seal 8 X 2	1.000	ST
3	6.362-384.0	O-Ring seal 9x1,5 - NBR 70	4.000	ST
11	6.362-533.0	O-Ring seal 14,0 X 1,5-NBR 70	2.000	ST
6	4.025-738.0	Pipeline high pressure	1.000	ST
1	5.411-070.0	Screw plug	1.000	ST
15	5.411-107.0	Screw plug	1.000	ST
12	5.402-370.0	Screw union	1.000	ST
8	7.401-908.0	Sphere 7 G300 -1.4301 DIN 5401	1.000	ST
9	5.026-764.0	Tube	1.000	ST

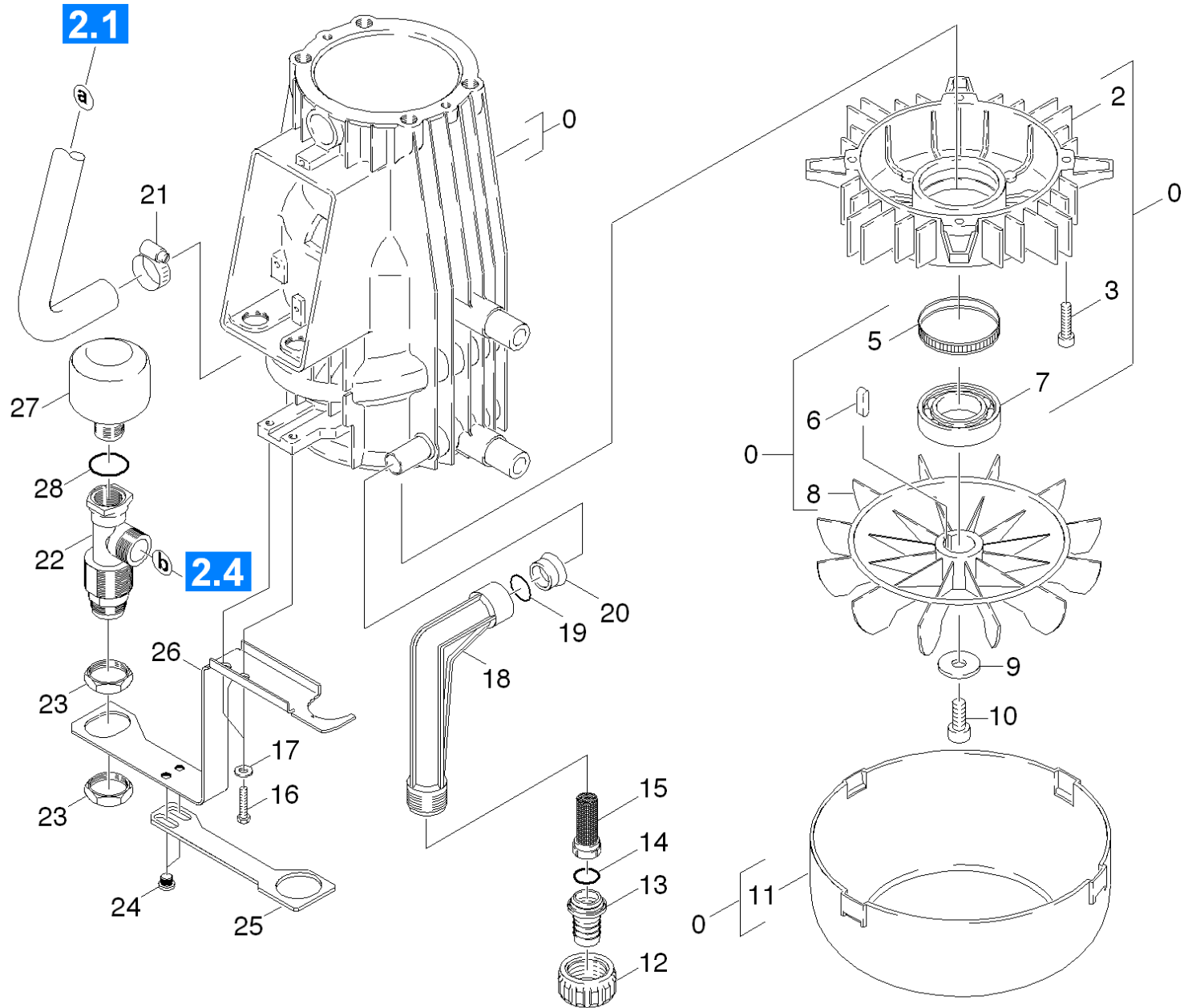
30 Motor

POS	Description	Quantity	Unit
31	Transmission	1.000	ST
32	Ventilation	1.000	ST



31 Transmission

POS	Article no.	Description	Quantity	Unit	Remark
12	5.064-457.0	Cover qusty grey SAE 90	1.000	ST	
1	7.306-041.0	Cylinder head screw M8x20 -8.8-A2E ISO	1.000	ST	
14	6.288-016.0	Gear oil 1L	1.000	ST	
0	4.623-550.0	Motor complete	1.000	ST	
	Item text1: / 1.374-201.0				
0	4.623-566.0	Motor complete	1.000	ST	
	Item text1: / 1.374-302.0				
0	4.623-562.0	Motor complete	1.000	ST	
	Item text1: / 1.374-102.0				
0	4.623-551.0	Motor complete	1.000	ST	
	Item text1: / 1.374-101.0				
0	4.623-565.0	Motor complete	1.000	ST	
	Item text1: / 1.374-301.0				
0	4.623-563.0	Motor complete	1.000	ST	
	Item text1: / 1.374-202.0				
9	6.363-273.0	O-Ring seal 11,0 x 2,0	1.000	ST	
10	6.362-161.0	O-Ring seal 19,3 X 2,4	1.000	ST	
4	7.318-035.0	Parallel key 8x7x25 -C45R DIN 6885-1	1.000	ST	
7	7.367-009.0	Radial shaft seal ring A35x52x7-NBR DIN	1.000	ST	VERSION 1
7	7.367-005.0	Radial shaft seal ring A35x53x7-NBR DIN	1.000	ST	VERSION 2
8	5.411-100.0	Screw plug	1.000	ST	
13	5.057-055.0	Support	4.000	ST	
11	5.070-457.0	Tank oil	1.000	ST	
6	6.401-225.3	Taper roller bearing 41	1.000	ST	
2	7.312-159.0	Toothed lock washer A8,4-FST-PH DIN 679	1.000	ST	
3	5.115-565.0	Washer	1.000	ST	
5	5.120-249.0	Wobble plate	1.000	ST	
	Item text1: / 1.374-201.0 / -202.0				
5	5.120-235.3	Wobble plate	1.000	ST	
	Item text1: / 1.374-301.0 / -302.0				
5	5.120-282.0	Wobble plate	1.000	ST	
	Item text1: / 1.374-101.0 / -102.0				



32 Ventilation

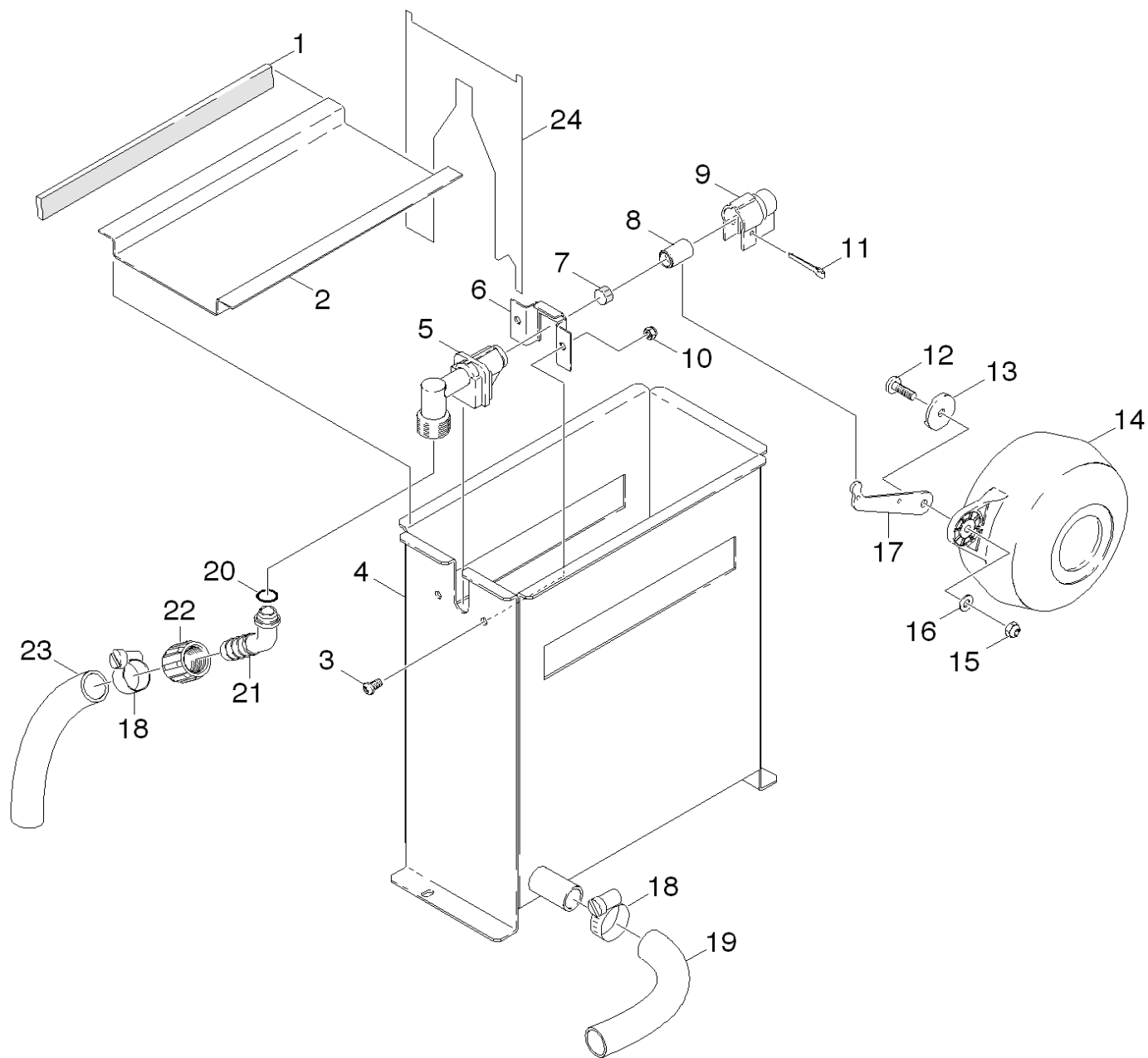
POS	Article no.	Description	Quantity	Unit
11	5.692-026.0	Air circulation	1.000	ST
7	6.401-253.0	Ball bearing 6305-2Z	1.000	ST
8	6.611-605.0	Blower wheel	1.000	ST
2	5.063-518.0	Cover	1.000	ST
10	7.306-041.0	Cylinder head screw M8x20 -8.8-A2E ISO	1.000	ST
23	5.311-165.0	Hexagon nut M30x1,5	2.000	ST
26	5.044-615.0	Holder	1.000	ST
21	6.388-548.0	Hose clip	1.000	ST
13	5.443-291.0	Hose stem	1.000	ST
22	5.427-305.0	Manifold	1.000	ST
18	5.427-303.0	MANIFOLD	1.000	ST
0	4.623-550.0	Motor complete	1.000	ST
	Item text1: / 1.374-201.0			
0	4.623-551.0	Motor complete	1.000	ST
	Item text1: / 1.374-101.0			
0	4.623-563.0	Motor complete	1.000	ST
	Item text1: / 1.374-202.0			
0	4.623-565.0	Motor complete	1.000	ST
	Item text1: / 1.374-301.0			
0	4.623-566.0	Motor complete	1.000	ST
	Item text1: / 1.374-302.0			
0	4.623-562.0	Motor complete	1.000	ST
	Item text1: / 1.374-102.0			
12	5.310-076.0	Nut	1.000	ST
28	6.362-176.0	O-Ring seal 6,07x1,78	1.000	ST
19	6.362-579.0	O-Ring seal 17,5 X 3,5	1.000	ST
14	6.362-161.0	O-Ring seal 19,3 X 2,4	1.000	ST
6	7.318-029.0	Parallel key 6x6x20-C45R DIN 6885	1.000	ST
27	6.505-054.0	Pressure accumulator	1.000	ST
24	7.306-213.0	Screw M5x6 -A2-70 (In6Rd)	2.000	ST
3	7.303-048.0	Screw M6x20 -St-R3R (In6Rd)	4.000	ST
16	7.306-094.0	Screw M6x25 -8.8-R3R (In6Rd)	2.000	ST
25	5.050-186.0	Sheet metal component water intake	1.000	ST

32 Ventilation

POS	Article no.	Description	Quantity	Unit
20	5.110-341.0	Sleeve	1.000	ST
15	6.414-141.0	Strainer	1.000	ST
5	6.343-010.0	Tolerance ring 62x10	1.000	ST
9	5.115-565.0	Washer	1.000	ST
17	7.312-003.0	Washer 6 -200HV-A3E ISO 7090	2.000	ST

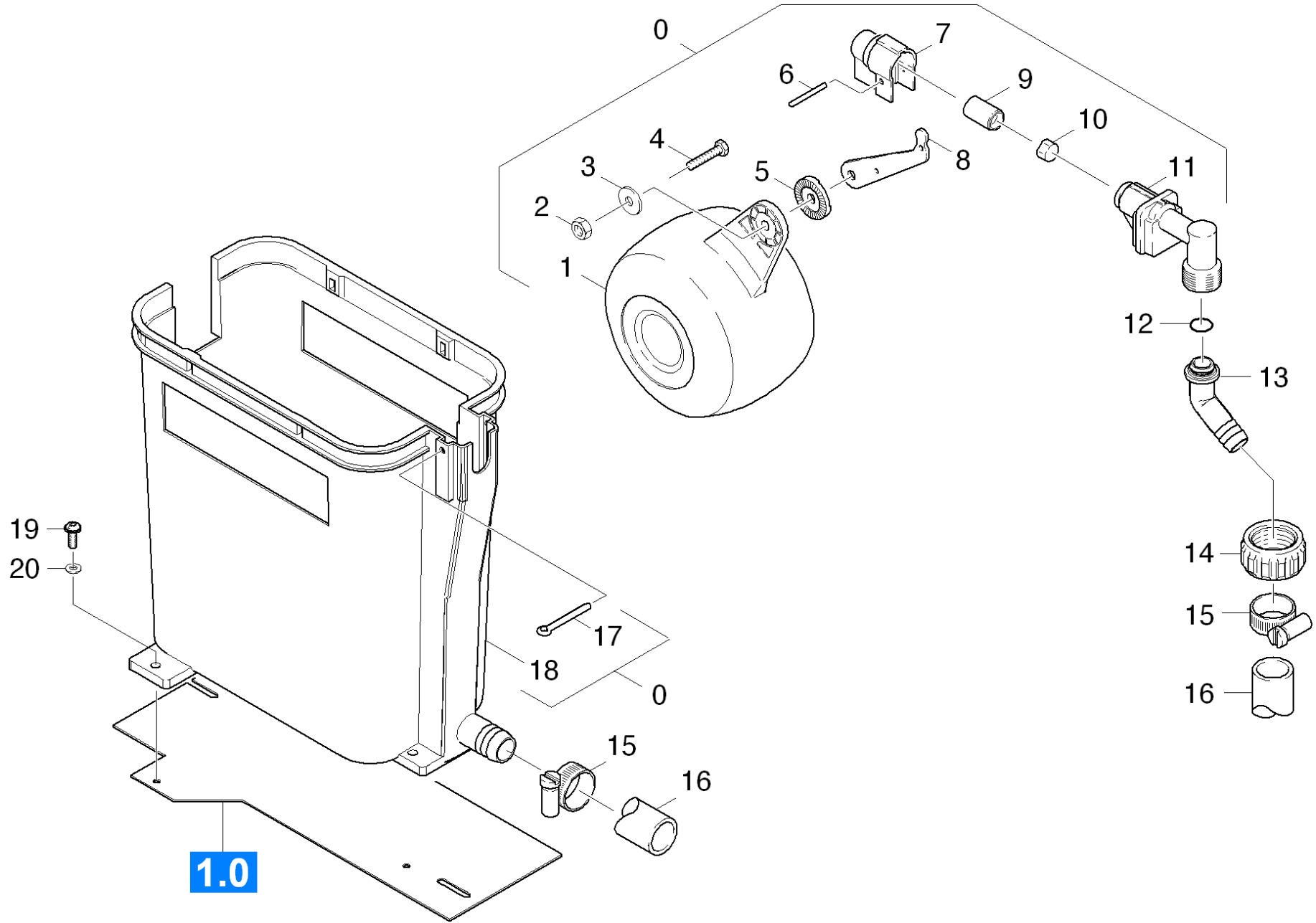
40 Float tank

POS	Description	Quantity	Unit	Remark
42	Float tank	1.000	ST	VERSION 2
41	Float tank	1.000	ST	VERSION 1



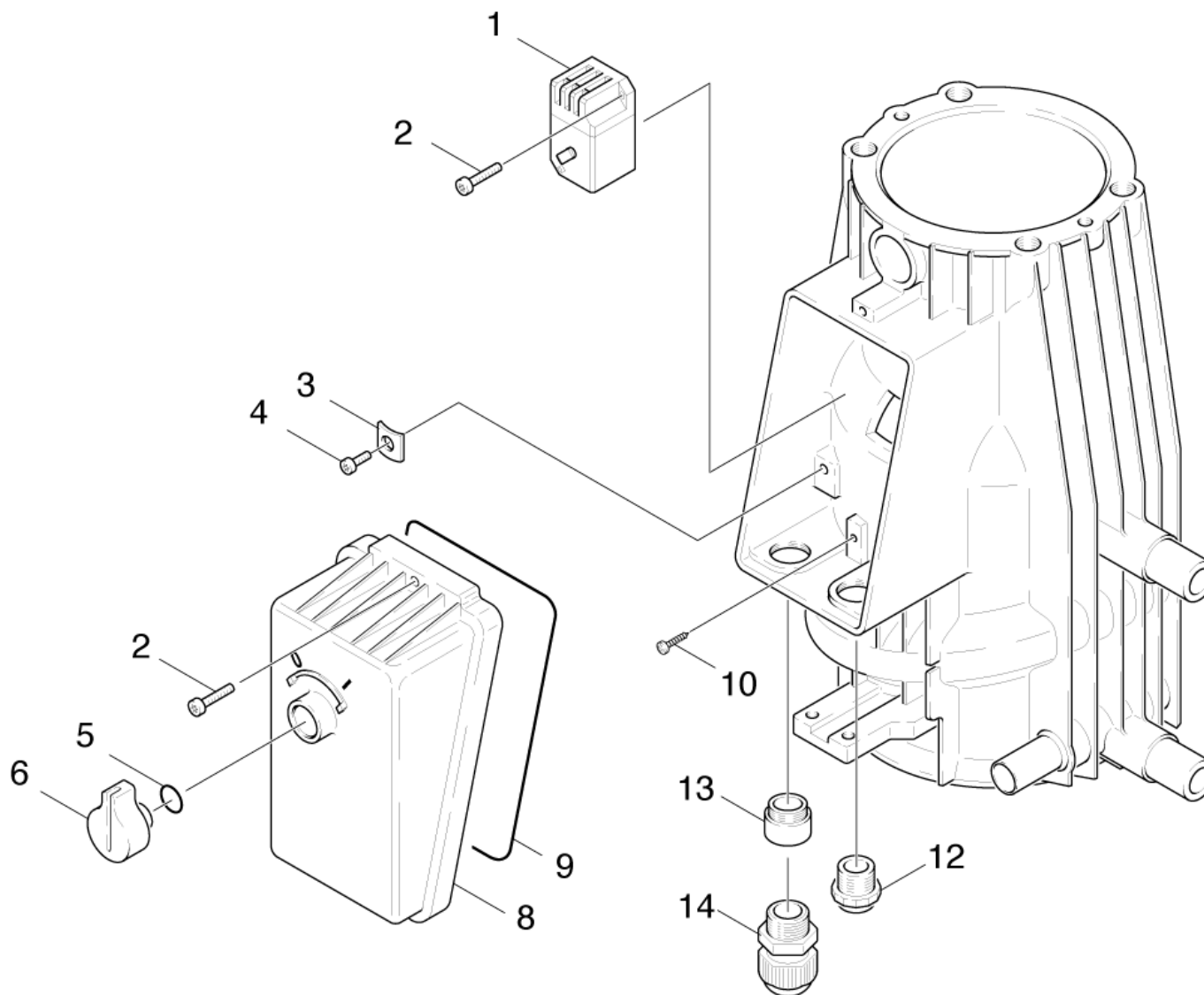
41 Float tank

POS	Article no.	Description	Quantity	Unit
11	7.316-013.0	Cotter 3,2x32-A ISO 1234	1.000	ST
7	5.364-095.0	Flat gasket	1.000	ST
14	5.585-024.0	Float	1.000	ST
10	7.311-431.0	Hexagon nut M 5-1.4305 ISO 10511	2.000	ST
15	7.311-422.0	Hexagon nut M 6-1.4305 ISO 10511	1.000	ST
6	5.044-624.0	Holder	1.000	ST
19	5.442-997.0	Hose	1.000	ST
18	7.373-022.0	Hose clip A-16-27x9 -W2-2 DIN3017	2.000	ST
23	6.390-320.0	Hose DN 16	1.000	M
21	5.443-285.0	Hose stem	1.000	ST
17	5.481-029.0	Lever	1.000	ST
22	5.310-062.0	Nut	1.000	ST
20	6.362-078.0	O-Ring seal 13,3x2,4	1.000	ST
9	5.394-066.0	Protection part	1.000	ST
3	7.306-180.0	Screw M5x10-A2-70 (In6Rd)	2.000	ST
12	7.306-194.0	Screw M6x20 -A2-70 (In6Rd)	1.000	ST
1	6.273-042.0	Sealing tape 19x4	1.000	M
24	5.050-197.0	Sheet metal component	1.000	ST
2	5.058-033.0	Sheet metal component	1.000	ST
4	4.070-465.0	Tank	1.000	ST
5	5.587-103.0	Valve housing	1.000	ST
8	5.584-026.0	Valve pin	1.000	ST
13	5.115-158.0	Washer	1.000	ST
16	7.312-279.0	Washer 6-CuZn ISO 7093-1	1.000	ST



42 Float tank

POS	Article no.	Description	Quantity	Unit
6	7.316-004.0	Bolt A 3x25 -CuZn ISO 2340	1.000	ST
17	7.316-432.0	Cotter 4x50 -St-A2E ISO 1234	1.000	ST
10	5.364-095.0	Flat gasket	1.000	ST
1	5.585-024.0	Float	1.000	ST
0	3.593-060.0	Float valve	1.000	ST
2	7.311-422.0	Hexagon nut M 6-1.4305 ISO 10511	1.000	ST
15	7.373-022.0	Hose clip A-16-27x9 -W2-2 DIN3017	2.000	ST
16	6.390-320.0	Hose DN 16	2.000	M
13	5.443-285.0	Hose stem	1.000	ST
8	5.481-029.0	Lever	1.000	ST
14	5.310-062.0	Nut	1.000	ST
12	6.362-078.0	O-Ring seal 13,3x2,4	1.000	ST
7	5.394-066.0	Protection part	1.000	ST
4	7.306-194.0	Screw M6x20 -A2-70 (In6Rd)	1.000	ST
19	7.303-077.0	Sheet metal screw ST4,8X16-ST-R2R (IN6R)	2.000	ST
18	5.070-076.0	Tank	1.000	ST
11	5.587-103.0	Valve housing	1.000	ST
9	5.584-026.0	Valve pin	1.000	ST
5	5.115-158.0	Washer	1.000	ST
20	7.312-278.0	Washer 5-200HV-A2E ISO7093-1	2.000	ST
3	7.312-279.0	Washer 6-CuZn ISO 7093-1	1.000	ST

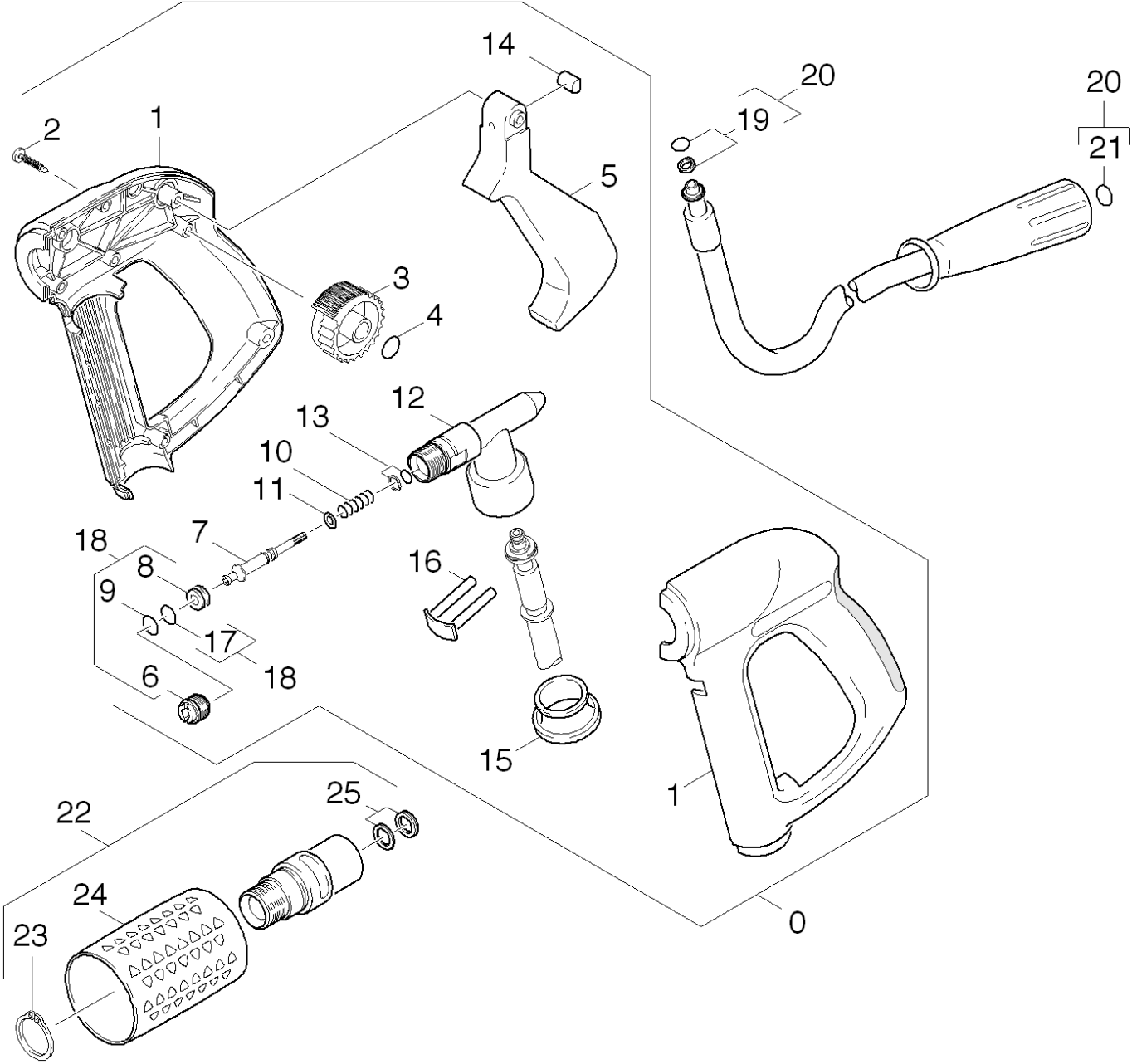


50 Motor protecting switch

POS	Article no.	Description	Quantity	Unit	Foot note text
13	6.641-394.0	Adaptor PG13,5-PG16	1.000	ST	
12	6.641-613.0	Cable gland PG13,5	1.000	ST	
14	6.641-356.0	Cable gland PG16	1.000	ST	
3	6.641-708.0	Clamping washer 5	1.000	ST	
8	5.066-615.0	Cover	1.000	ST	
6	5.321-556.0	Handhold	1.000	ST	
1	6.631-190.0	Motor protecting switch	1.000	ST	
	Item text1: / 1.374-101.0 / -201.0 / -301.0				
1	6.631-196.0	Motor protecting switch	1.000	ST	
	Item text1: / 1.374-102.0 / -202.0				
1	6.631-428.0	Motor protecting switch -22-27A	1.000	ST	
	Item text1: / 1.374-302.0				
5	6.472-112.0	O-Ring seal 10,0 x 2,4 NBR 70	1.000	ST	
10	7.303-027.0	Screw M3x6-ST-R2R (IN6RD)	1.000	ST	
2	7.309-016.0	Screw M4x22-Z7-1 -4.8-A2E DIN6900	3.000	ST	
4	7.303-039.0	Screw M5x16 -St-A2R (In6Rd)	1.000	ST	
9	6.273-070.0	Seal string cellular rubber 4	1.000	M	TO ORDER AS CUT GOODS

60 Accessories

POS	Description	Quantity	Unit	Remark
61	Hand trigger gun	1.000	ST	VERSION 1
62	Hand trigger gun	1.000	ST	VERSION 2
63	Jet pipe	1.000	ST	
64	Nozzle	1.000	ST	

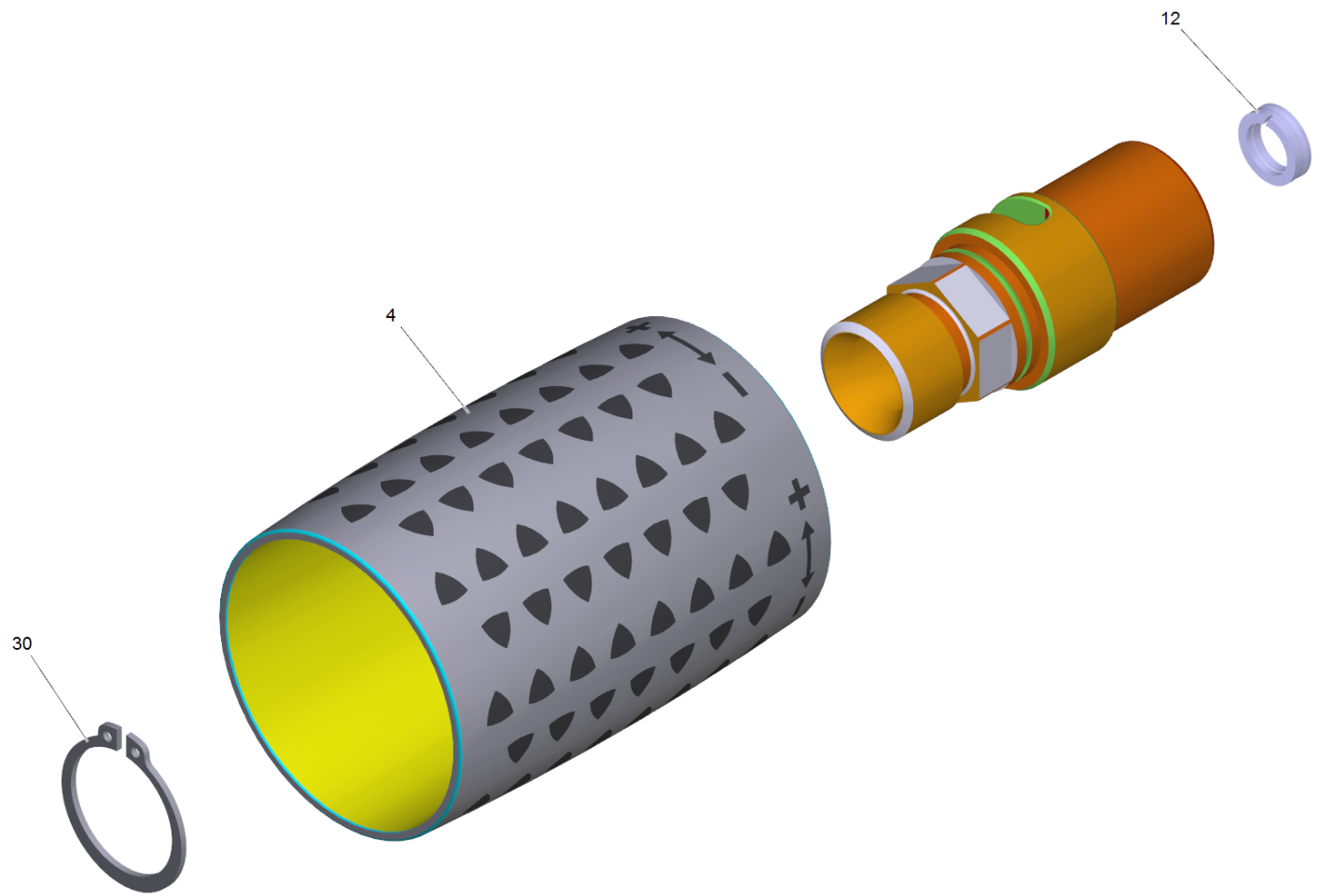


61 Hand trigger gun

POS	Article no.	Description	Quantity	Unit
14	5.316-400.0	Bolt	1.000	ST
25	4.363-695.0	Grooved ring only for replacement	1.000	ST
1	5.321-534.0	Handhold few	1.000	ST
24	5.321-668.0	Handle	1.000	ST
3	5.322-012.0	Hand wheel	1.000	ST
10	5.332-413.0	Helical spring	1.000	ST
6	5.404-079.0	Hollow screw	1.000	ST
16	4.037-013.0	Hook	1.000	ST
20	6.390-025.0	Hose assembly DN8 max.31,5MPa 10m	1.000	ST
5	5.481-178.0	Lever	1.000	ST
23	7.343-069.0	Locking ring 25x1,2-1.4122 DIN 471	1.000	ST
12	5.427-214.0	Manifold	1.000	ST
4	6.362-642.0	O-Ring d. 7,65x1,78 -NBR 80	1.000	ST
9	6.362-182.0	O-Ring seal 7,65x1,78 - NBR 90	2.000	ST
17	6.362-503.0	O-Ring seal 8,0 X 1,0	1.000	ST
11	6.362-964.0	O-Ring seal complete	1.000	ST
13	6.362-992.0	O-Ring seal complete 2,6X1,9	1.000	ST
19	4.363-691.0	O-Ring seal kpl. -nur fuer Ersatz-	1.000	ST
7	5.553-348.0	Piston	1.000	ST
22	4.775-470.0	Rotary controller 416L	1.000	ST
	Item text1: 1.374-101/-102/-201/-202			
22	4.775-471.0	Rotary controller 700L	1.000	ST
	Item text1: 1.374-301/-302			
2	7.303-096.0	Screw 4x22 -ST-10.9-R2R (IN6RD)	8.000	ST
15	5.110-596.0	Sleeve	1.000	ST
21	2.880-990.0	Spare part set O-Ring 5x -Kaercher	1.000	ST
18	2.883-888.0	Spare parts set	1.000	ST
0	7.777-999.0	Stockpiling discontinued	1.000	ST
8	5.581-243.0	Valve seat	1.000	ST

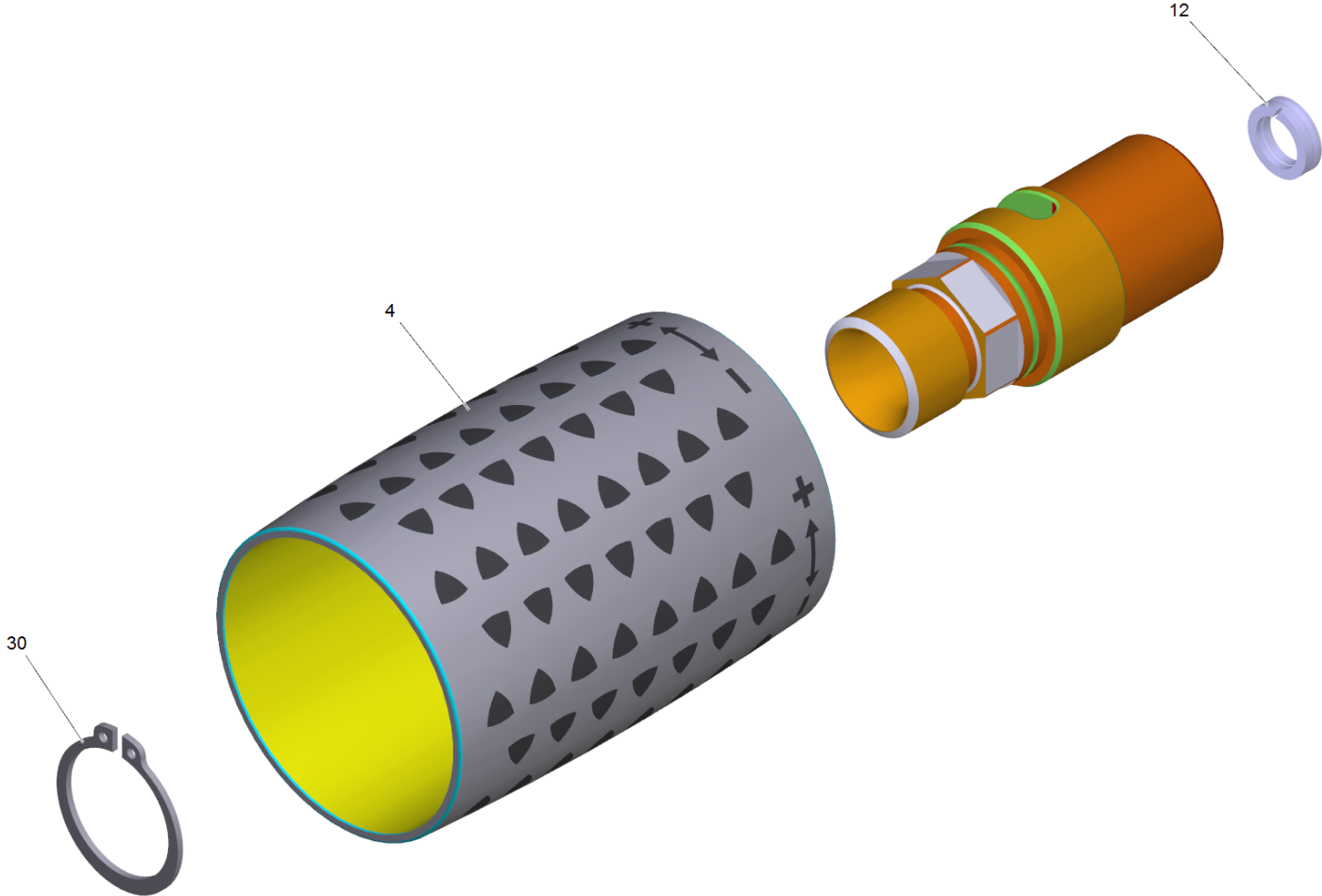
18 Spare parts set (2.883-888.0)

POS	Article no.	Description	Quantity	Unit
10	5.404-079.0	Hollow screw	1.000	ST
30	6.362-182.0	O-Ring seal 7,65x1,78 - NBR 90	1.000	ST
40	6.362-503.0	O-Ring seal 8,0 X 1,0	1.000	ST
20	5.581-243.0	Valve seat	1.000	ST



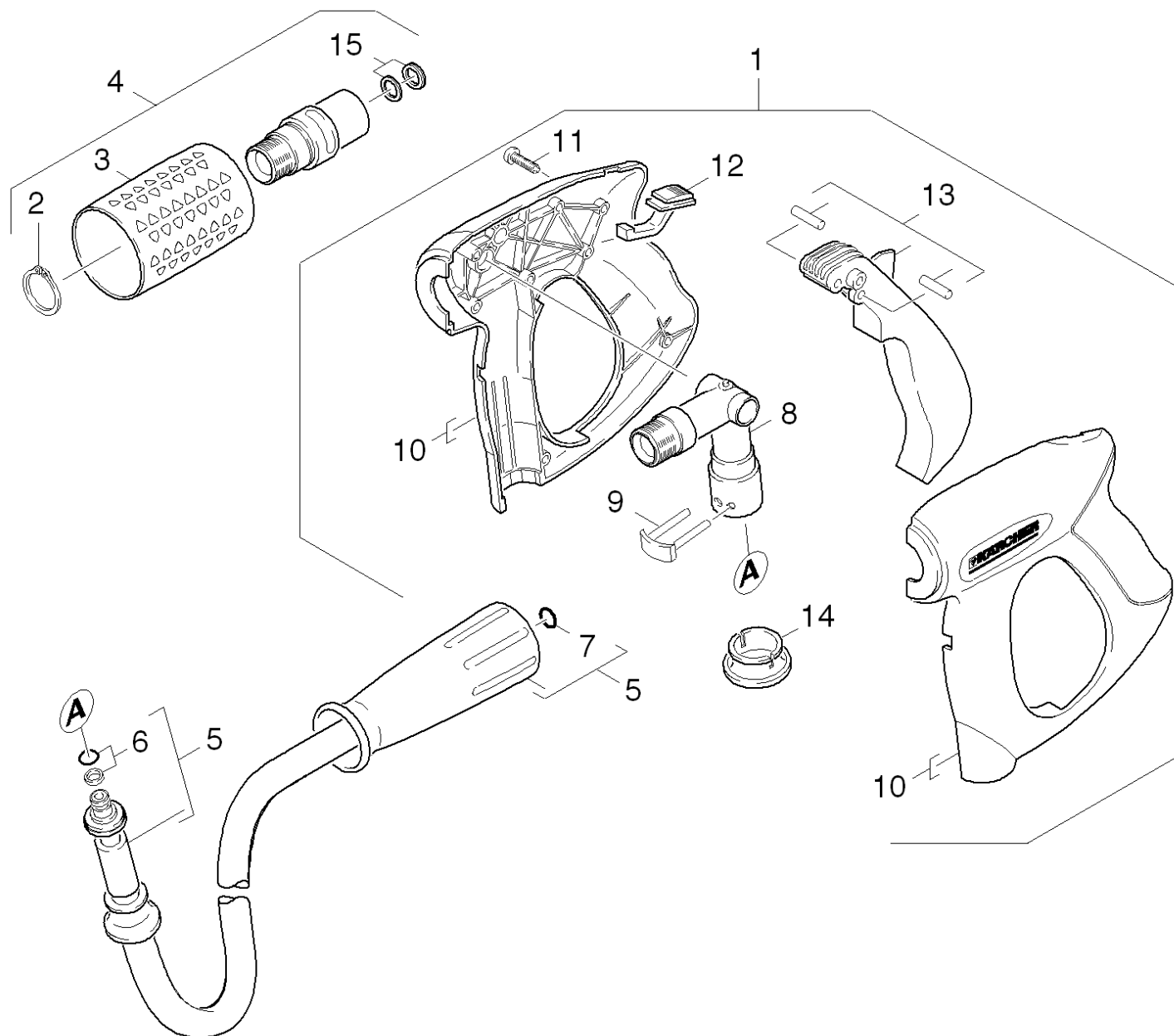
22 Rotary controller 416L (4.775-470.0)

POS	Article no.	Description	Quantity	Unit
12	4.363-695.0	Grooved ring only for replacement	1.000	ST
4	5.321-668.0	Handle	1.000	ST
30	7.343-069.0	Locking ring 25x1,2-1.4122 DIN 471	1.000	ST



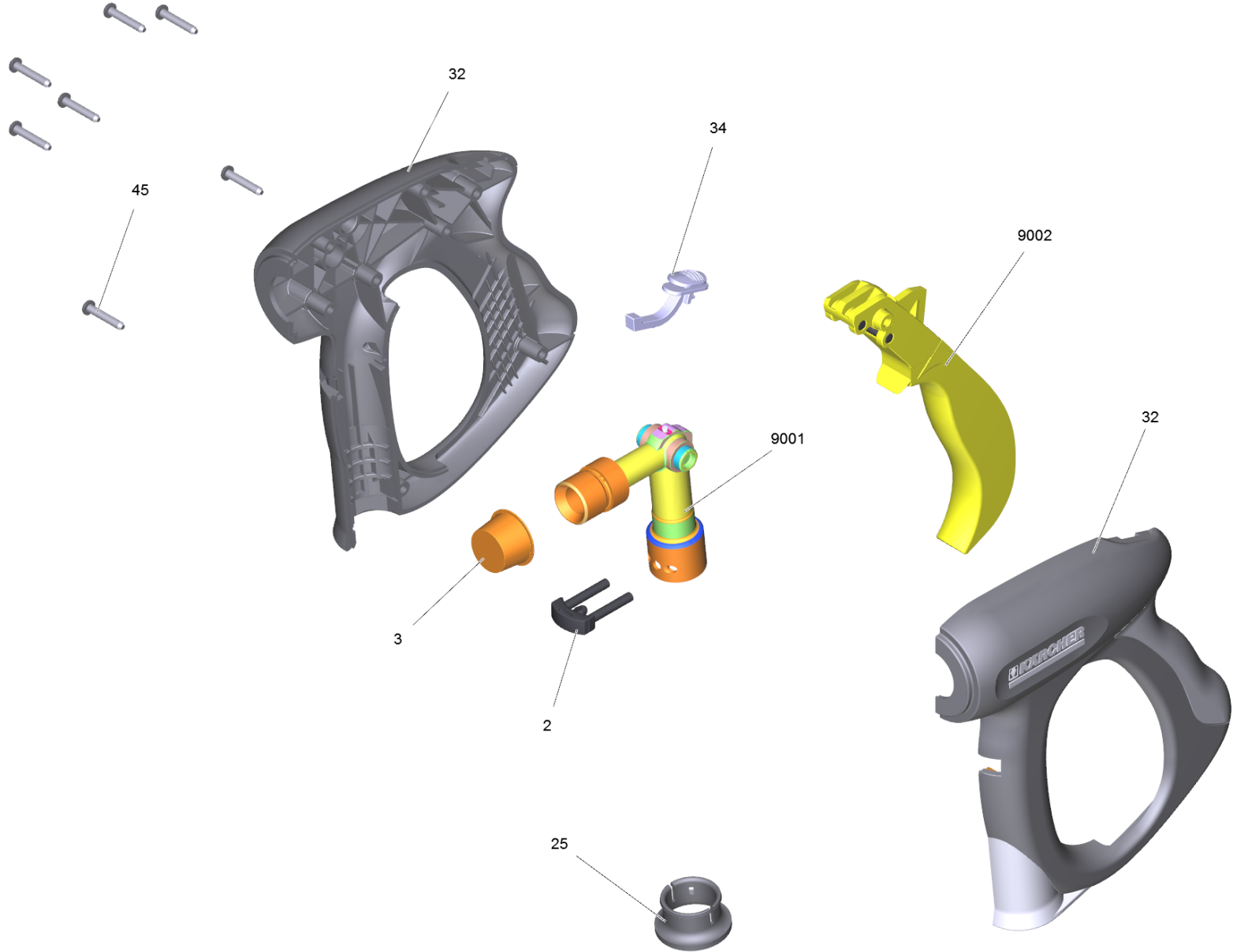
22 Rotary controller 700L (4.775-471.0)

POS	Article no.	Description	Quantity	Unit
12	4.363-695.0	Grooved ring only for replacement	1.000	ST
4	5.321-668.0	Handle	1.000	ST
30	7.343-069.0	Locking ring 25x1,2-1.4122 DIN 471	1.000	ST



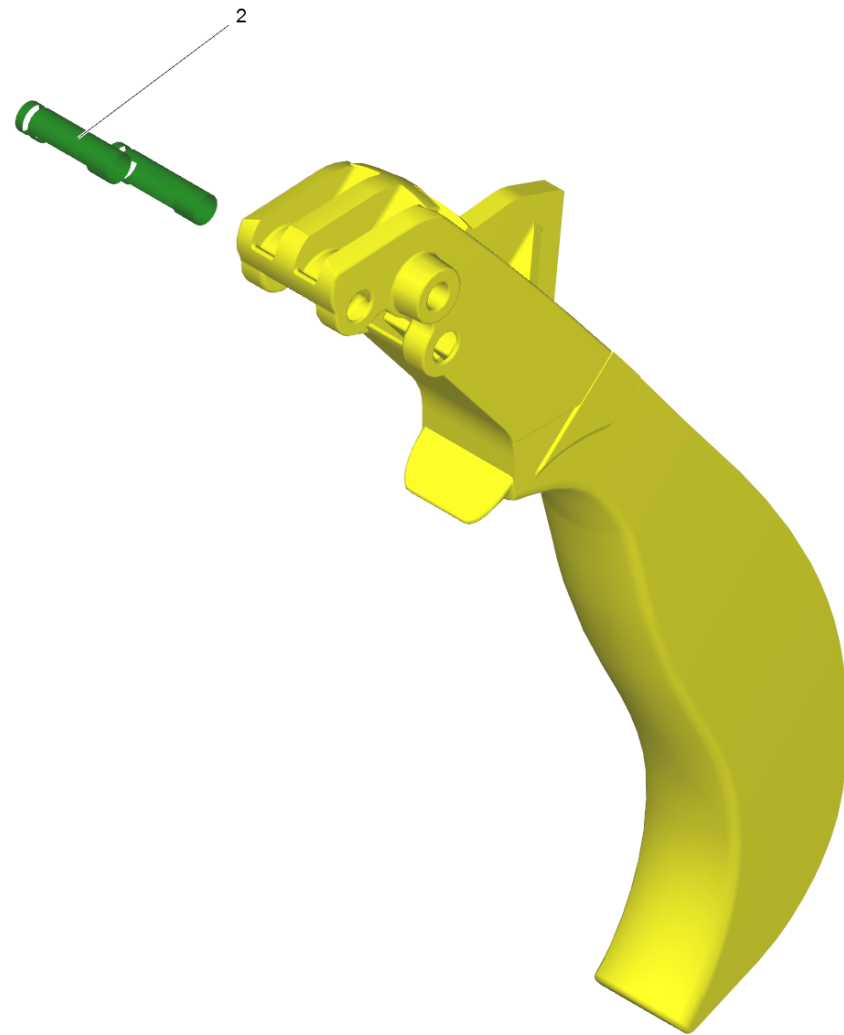
62 Hand trigger gun

POS	Article no.	Description	Quantity	Unit
15	4.363-695.0	Grooved ring only for replacement	1.000	ST
10	5.321-669.3	Handhold few	1.000	ST
3	5.321-668.0	Handle	1.000	ST
1	4.775-463.0	HAND TRIGGER GUN EASY PRESS	1.000	ST
9	4.037-013.0	Hook	1.000	ST
5	6.390-025.0	Hose assembly DN8 max.31,5MPa 10m	1.000	ST
13	4.481-209.0	Lever complete	1.000	ST
2	7.343-008.0	Locking ring 25x1,2-St-vz DIN 471	1.000	ST
8	4.427-215.0	Manifold complete only for replacement	1.000	ST
6	4.363-691.0	O-Ring seal kpl. -nur fuer Ersatz-	1.000	ST
4	4.775-470.0	Rotary controller 416L	1.000	ST
11	7.303-096.0	Screw 4x22 -ST-10.9-R2R (IN6RD)	7.000	ST
14	5.110-596.0	Sleeve	1.000	ST
12	5.481-331.0	Slider	1.000	ST
7	2.880-990.0	Spare part set O-Ring 5x -Kaercher	1.000	ST



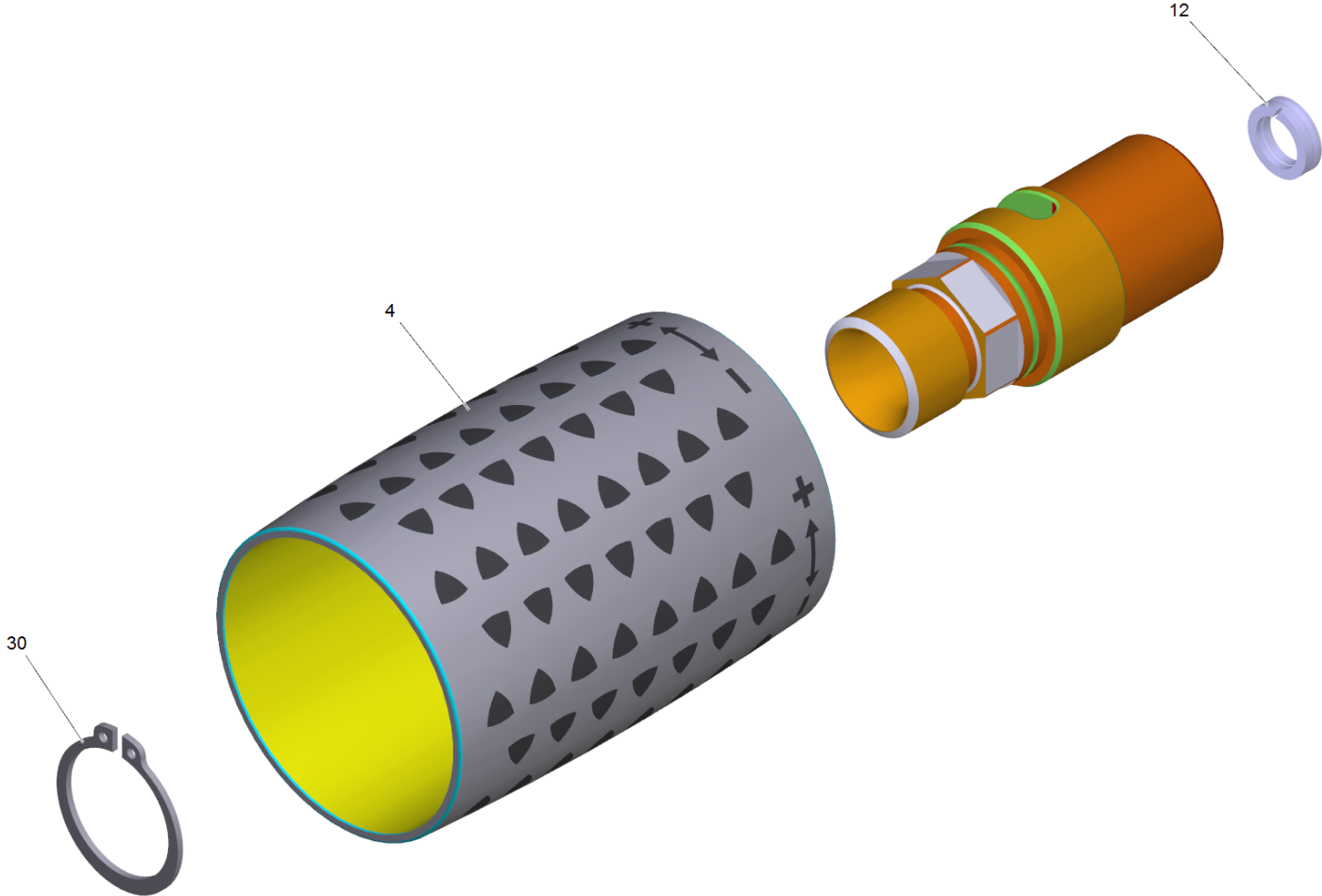
1 HAND TRIGGER GUN EASY PRESS (4.775-463.0)

POS	Article no.	Description	Quantity	Unit
32	5.321-669.3	Handhold few	1.000	ST
2	4.037-013.0	Hook	1.000	ST
9002	4.481-209.0	Lever complete	1.000	ST
9001	4.427-215.0	Manifold complete only for replacement	1.000	ST
4	6.869-075.0	Metal bonding agent 1 ml	1.000	ST
3	6.368-012.0	Protecting cap 22X1,5	1.000	ST
45	7.303-096.0	Screw 4x22 -ST-10.9-R2R (IN6RD)	7.000	ST
1041	6.288-044.0	Silicon grease 100 G	1.000	ST
25	5.110-596.0	Sleeve	1.000	ST
34	5.481-331.0	Slider	1.000	ST



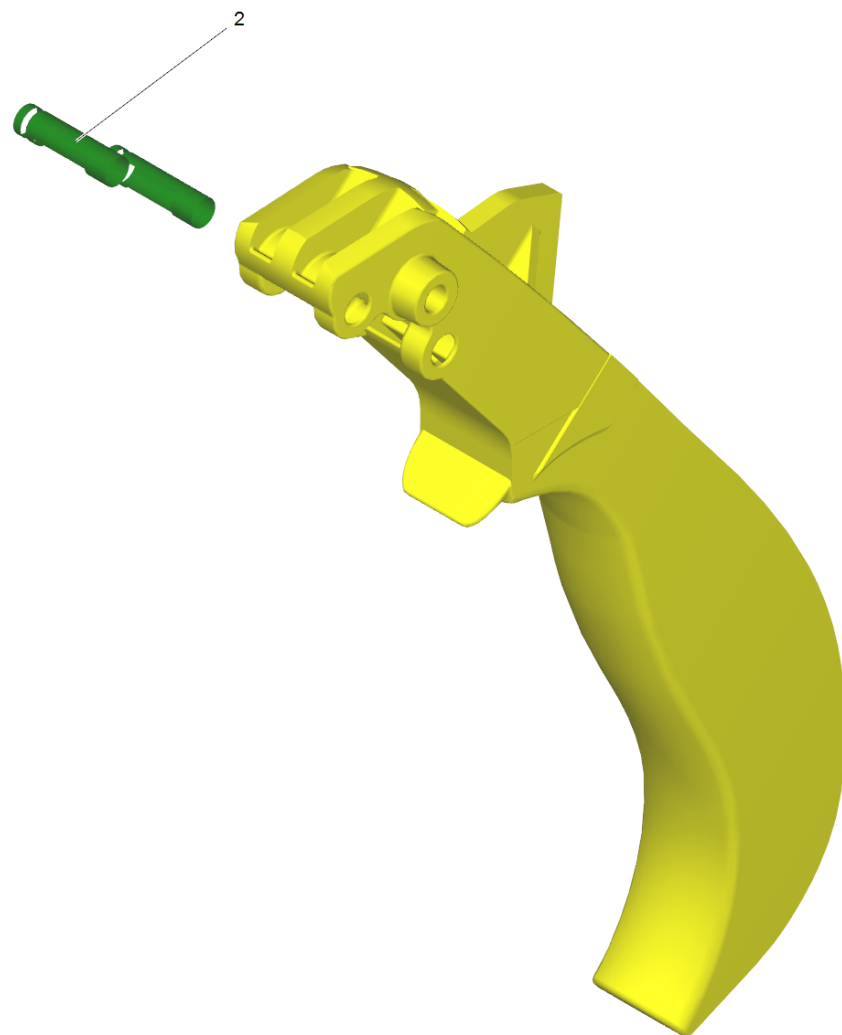
9002 Lever complete (4.481-209.0)

POS	Article no.	Description	Quantity	Unit
2	5.314-119.0	Pin	2.000	ST



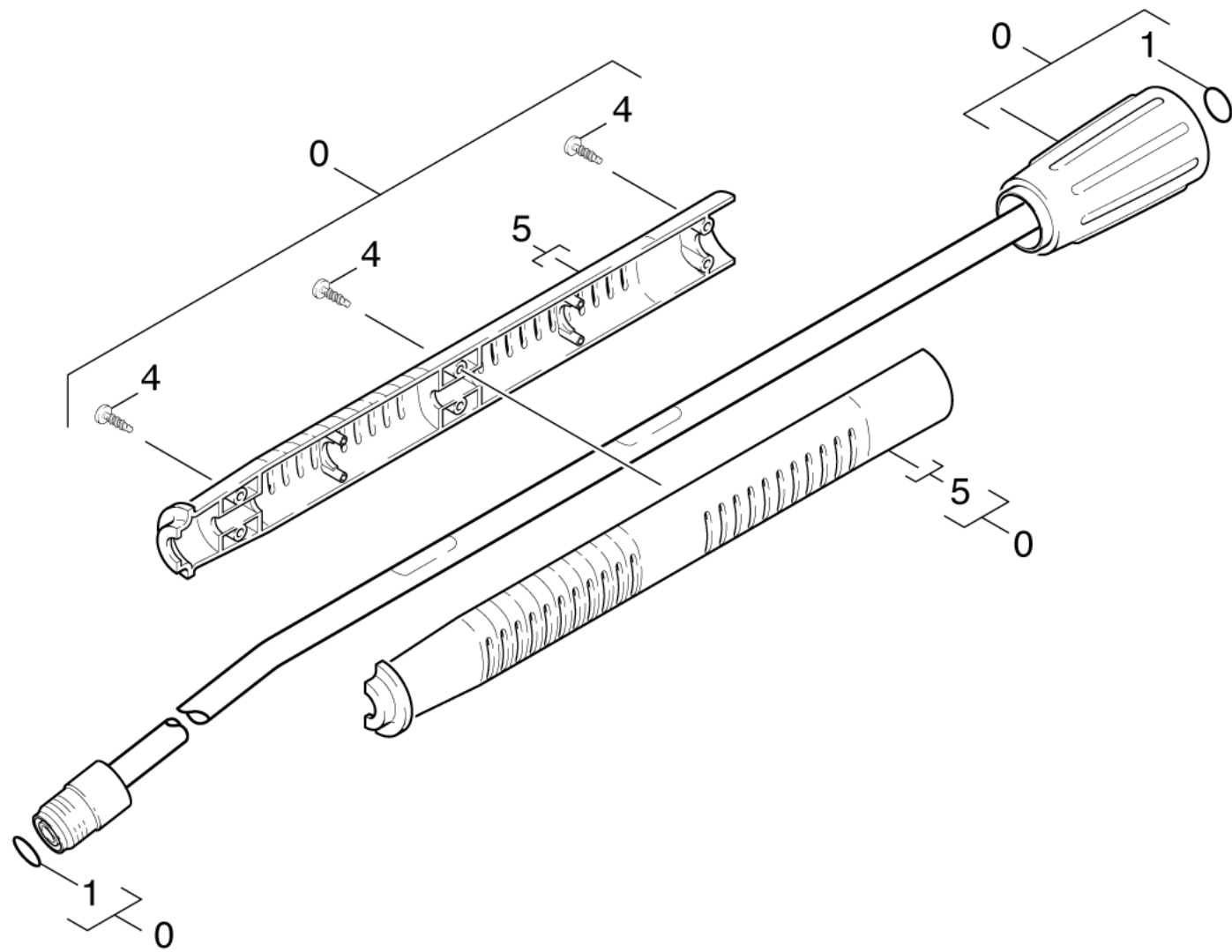
4 Rotary controller 416L (4.775-470.0)

POS	Article no.	Description	Quantity	Unit
12	4.363-695.0	Grooved ring only for replacement	1.000	ST
4	5.321-668.0	Handle	1.000	ST
30	7.343-069.0	Locking ring 25x1,2-1.4122 DIN 471	1.000	ST



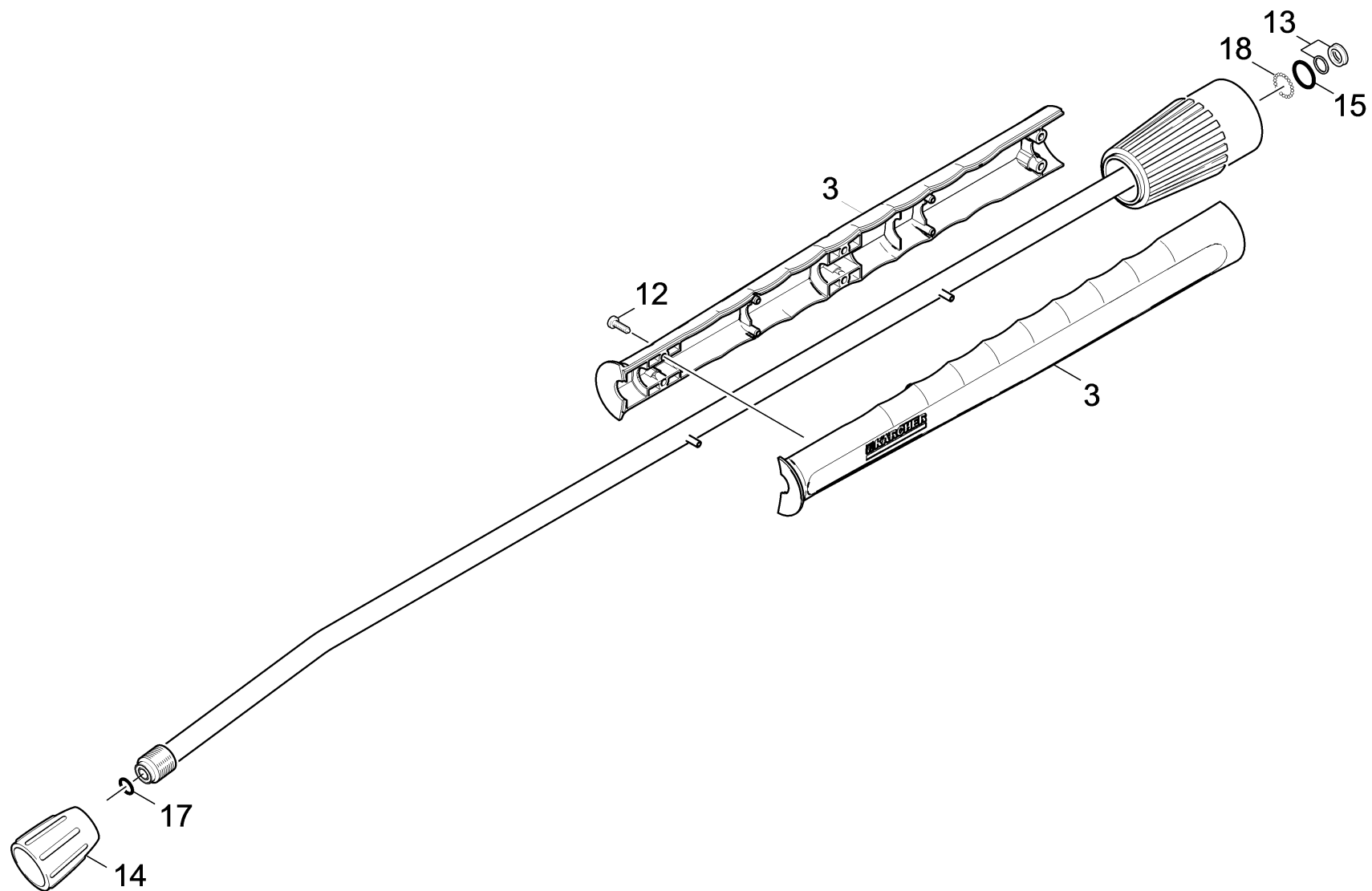
13 Lever complete (4.481-209.0)

POS	Article no.	Description	Quantity	Unit
2	5.314-119.0	Pin	2.000	ST



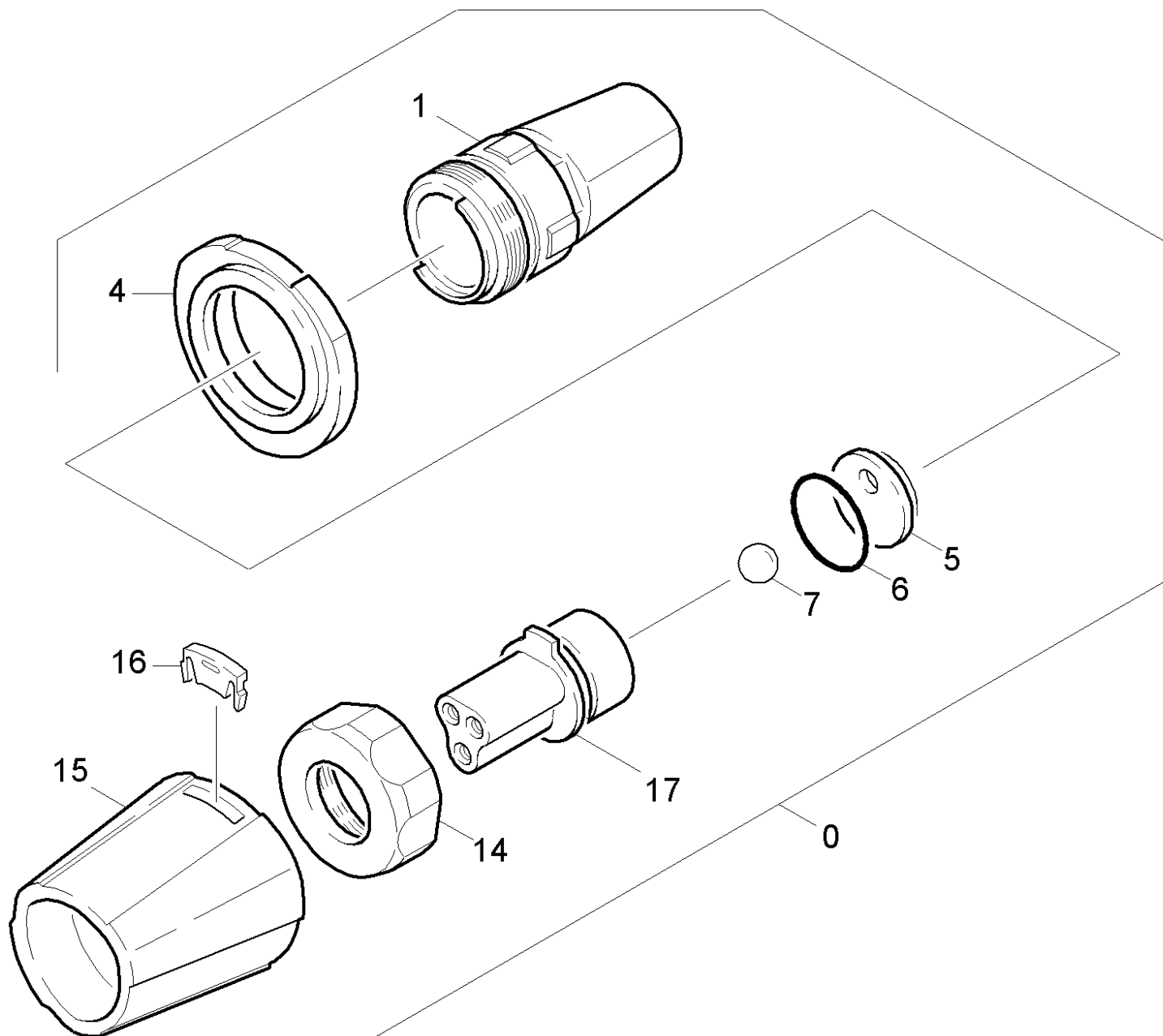
63 Jet pipe

POS	Article no.	Description	Quantity	Unit
5	5.321-691.0	Handhold few jet pipe	1.000	ST
0	4.760-660.0	Jet pipe packaged only for replacement	1.000	ST
4	6.303-199.0	Oval head screw 4,2x 16	6.000	ST
1	2.880-990.0	Spare part set O-Ring 5x -Kaercher	1.000	ST



Jet pipe packaged only for replacement (4.760-660.0)

POS	Article no.	Description	Quantity	Unit
13	4.363-692.0	Grooved ring kpl. -nur fuer Ersatz-	1.000	ST
3	5.321-855.0	Handhold few jet pipe with welding bolt	1.000	ST
15	6.362-524.0	O-Ring seal 17,0 X 1,5	1.000	ST
12	7.303-129.0	Screw 4x16 -10.9-R2R (K-In6Rd)	6.000	ST
14	5.401-210.0	Screw connector part	1.000	ST
17	2.880-990.0	Spare part set O-Ring 5x -Kaercher	1.000	ST
18	7.401-915.0	Sphere 2,5 G20 -1.4034 DIN 5401	1.000	ST



64 Nozzle

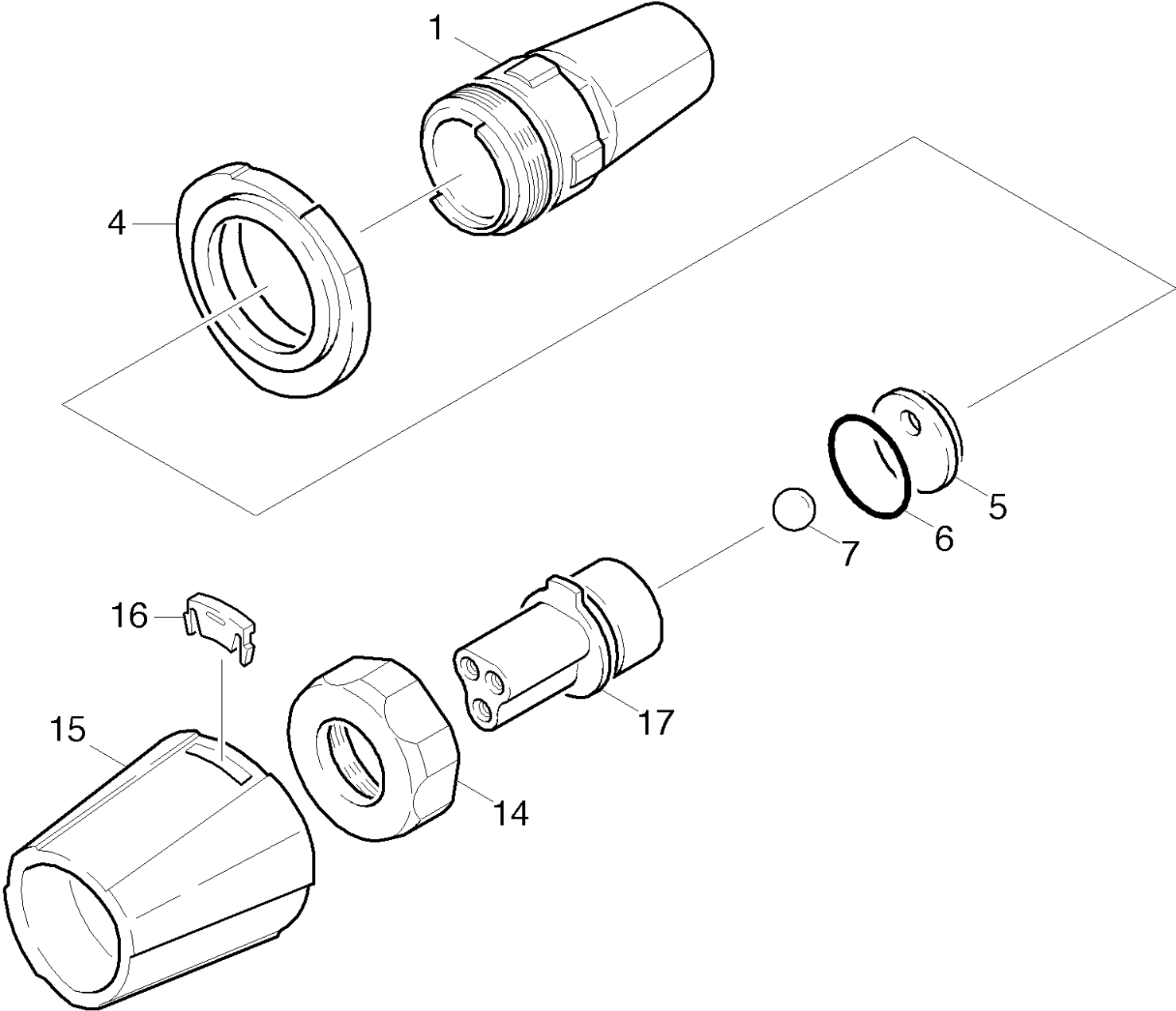
POS	Article no.	Description	Quantity	Unit
1	4.060-395.0	Housing complete only for replacement	1.000	ST
5	5.031-370.0	Moulded part	1.000	ST
16	5.031-709.0	Moulded part	1.000	ST
17	4.764-173.0	Nozzle holder 0100	1.000	ST
	Item text1: / 1.374-301.0 / -302.0			
17	4.764-139.0	Nozzle holder only for replacement 045	1.000	ST
	Item text1: / 1.374-201.0 / -202.0			
17	4.764-148.0	Nozzle holder only for replacement 065	1.000	ST
	Item text1: / 1.374-101.0 / -102.0			
6	6.362-831.0	O-Ring d. 22x2 NBR 90	1.000	ST
15	5.394-402.0	Protection part	1.000	ST
4	5.394-401.0	Protection part	1.000	ST
7	7.401-917.0	Sphere 10,0 G100-1.4301 DIN 5401	1.000	ST
0	4.767-002.0	Triple jet nozzle 045	1.000	ST
	Item text1: / 1.374-201.0 / -202.0			
0	4.767-019.0	Triple jet nozzle 065	1.000	ST
	Item text1: / 1.374-101.0 / -102.0			
0	4.767-106.0	Triple jet nozzle 100	1.000	ST
	Item text1: / 1.374-301.0 / -302.0			
14	5.311-192.0	Union nut	1.000	ST

Triple jet nozzle 045 (4.767-002.0)

POS	Article no.	Description	Quantity	Unit
2	5.958-516.0	Spare parts list triple jet nozzle	1.000	ST
Item text2: 47670020				

2 Spare parts list triple jet nozzle (5.958-516.0)

POS	Description	Quantity	Unit
10	Triple jet nozzle	1.000	ST



10 Triple jet nozzle

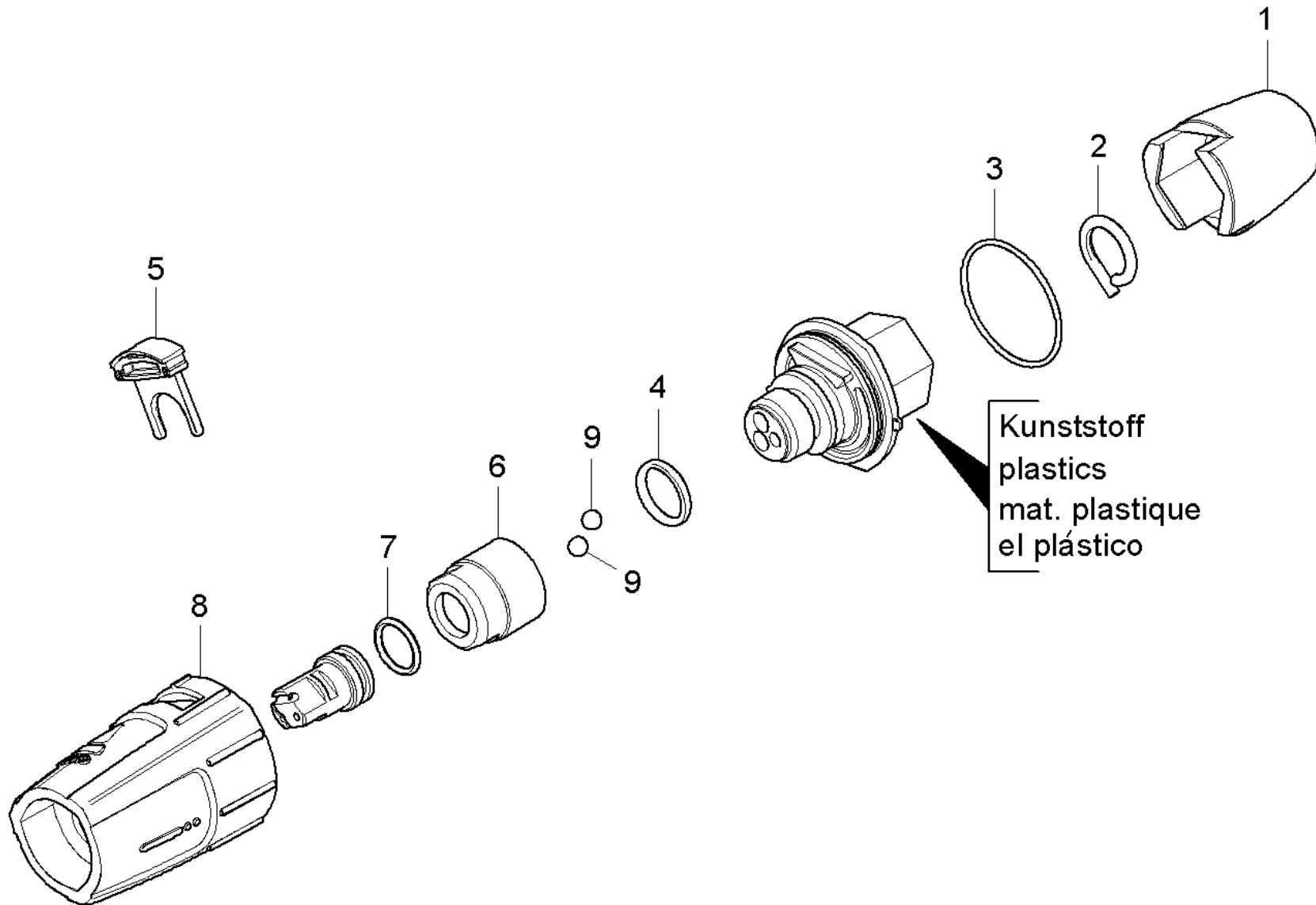
POS	Article no.	Description	Quantity	Unit
1	4.060-395.0	Housing complete only for replacement	1.000	ST
16	5.031-709.0	Moulded part	1.000	ST
5	5.031-370.0	Moulded part	1.000	ST
17	4.764-141.0	Nozzle holder 05	1.000	ST
17	4.764-138.0	Nozzle holder only for replacement 034	1.000	ST
17	4.767-015.0	Nozzle holder only for replacement 037	1.000	ST
17	4.764-139.0	Nozzle holder only for replacement 045	1.000	ST
17	4.764-148.0	Nozzle holder only for replacement 065	1.000	ST
6	6.362-831.0	O-Ring d. 22x2 NBR 90	1.000	ST
15	5.394-402.0	Protection part	1.000	ST
4	5.394-401.0	Protection part	1.000	ST
7	7.401-917.0	Sphere 10,0 G100-1.4301 DIN 5401	1.000	ST
17	7.777-999.0	Stockpiling discontinued	1.000	ST
17	7.777-999.0	Stockpiling discontinued	1.000	ST
17	7.777-999.0	Stockpiling discontinued	1.000	ST
17	7.777-999.0	Stockpiling discontinued	1.000	ST
17	4.767-148.0	Triple jet nozzle replacement 036	1.000	ST
17	4.767-148.0	Triple jet nozzle replacement 036	1.000	ST
14	5.311-192.0	Union nut	1.000	ST

17 Triple jet nozzle replacement 036 (4.767-148.0)

POS	Article no.	Description	Quantity	Unit
2	5.970-837.0	Spare parts list triple jet nozzle	1.000	ST

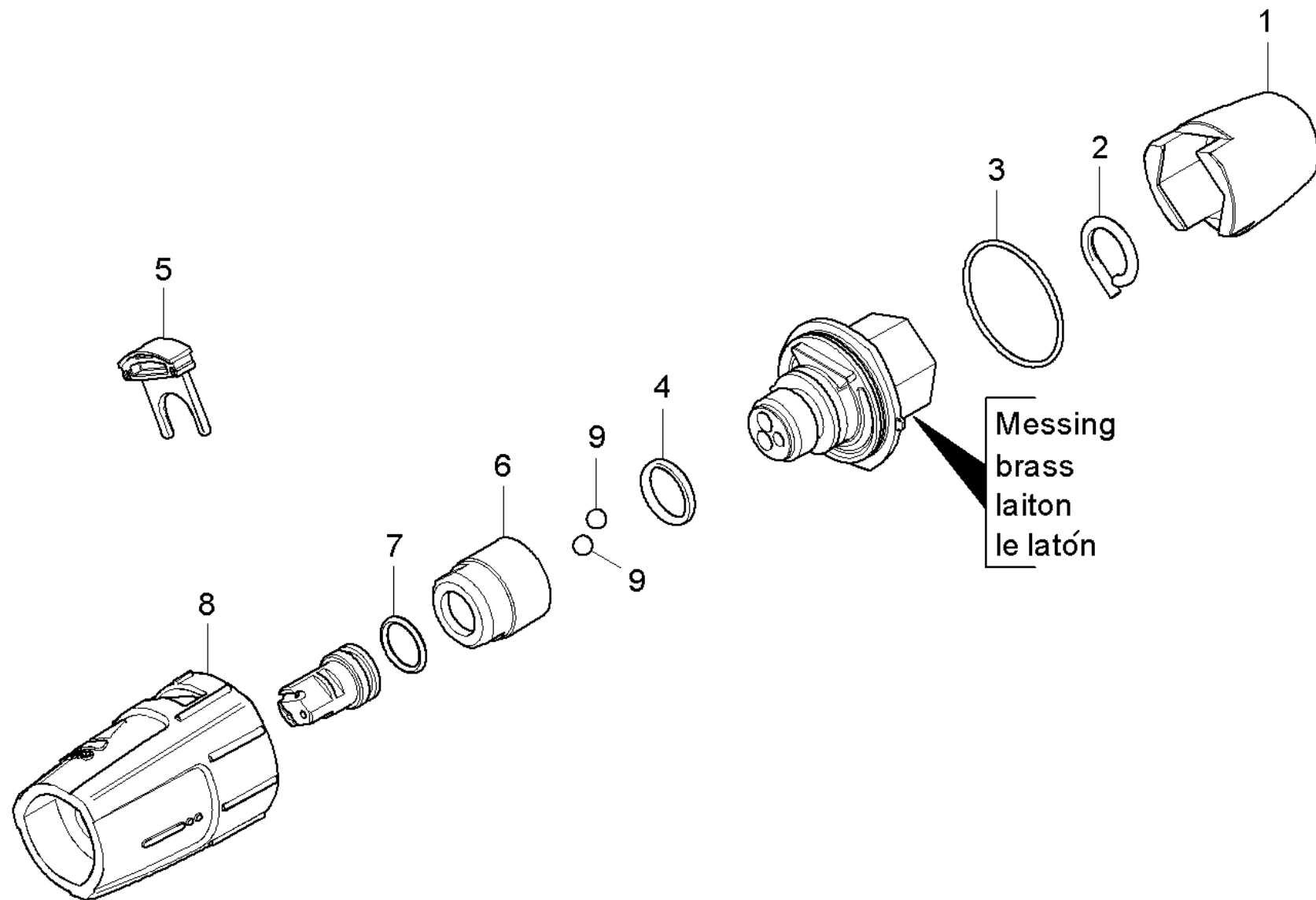
2 Spare parts list triple jet nozzle (5.970-837.0)

POS	Description	Quantity	Unit
20	Triple jet nozzle brass	1.000	ST
10	Triple jet nozzle plastics	1.000	ST



10 Triple jet nozzle plastics

POS	Article no.	Description	Quantity	Unit
5	5.321-884.0	Clamp	1.000	ST
6	5.311-236.0	Nut	1.000	ST
7	6.362-480.0	O-Ring seal 12,42x 1,78	1.000	ST
4	7.362-039.0	O-Ring seal 15,5x1,5 -NBR70 DIN 3771	1.000	ST
3	6.362-409.0	O-Ring seal 32,0 X 1,5	1.000	ST
2	6.343-150.0	Pin 03	1.000	ST
8	5.394-874.0	Protection part	1.000	ST
1	5.394-530.0	Protection part complete	1.000	ST
9	7.401-902.0	Sphere 5 G20 -1.4034 DIN 5401	2.000	ST



20 Triple jet nozzle brass

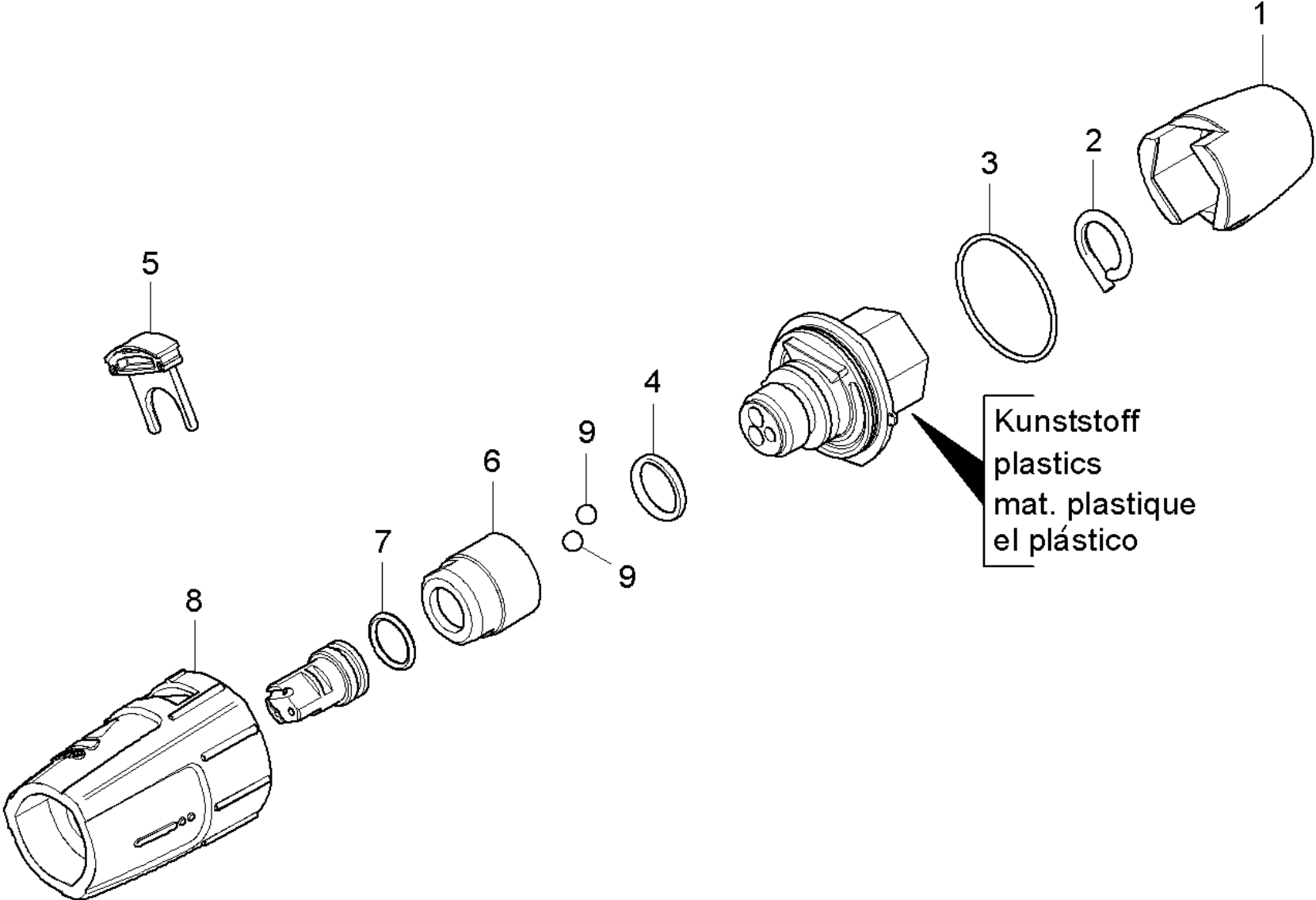
POS	Article no.	Description	Quantity	Unit
5	5.321-884.0	Clamp	1.000	ST
6	5.311-225.0	Nut	1.000	ST
7	6.362-480.0	O-Ring seal 12,42x 1,78	1.000	ST
4	6.362-460.0	O-Ring seal 14,0 X 2,5-NBR 70	1.000	ST
3	6.362-409.0	O-Ring seal 32,0 X 1,5	1.000	ST
2	6.343-150.0	Pin 03	1.000	ST
8	5.394-859.0	Protection part	1.000	ST
1	5.394-530.0	Protection part complete	1.000	ST
9	7.401-902.0	Sphere 5 G20 -1.4034 DIN 5401	2.000	ST

17 Triple jet nozzle replacement 036 (4.767-148.0)

POS	Article no.	Description	Quantity	Unit
2	5.970-837.0	Spare parts list triple jet nozzle	1.000	ST

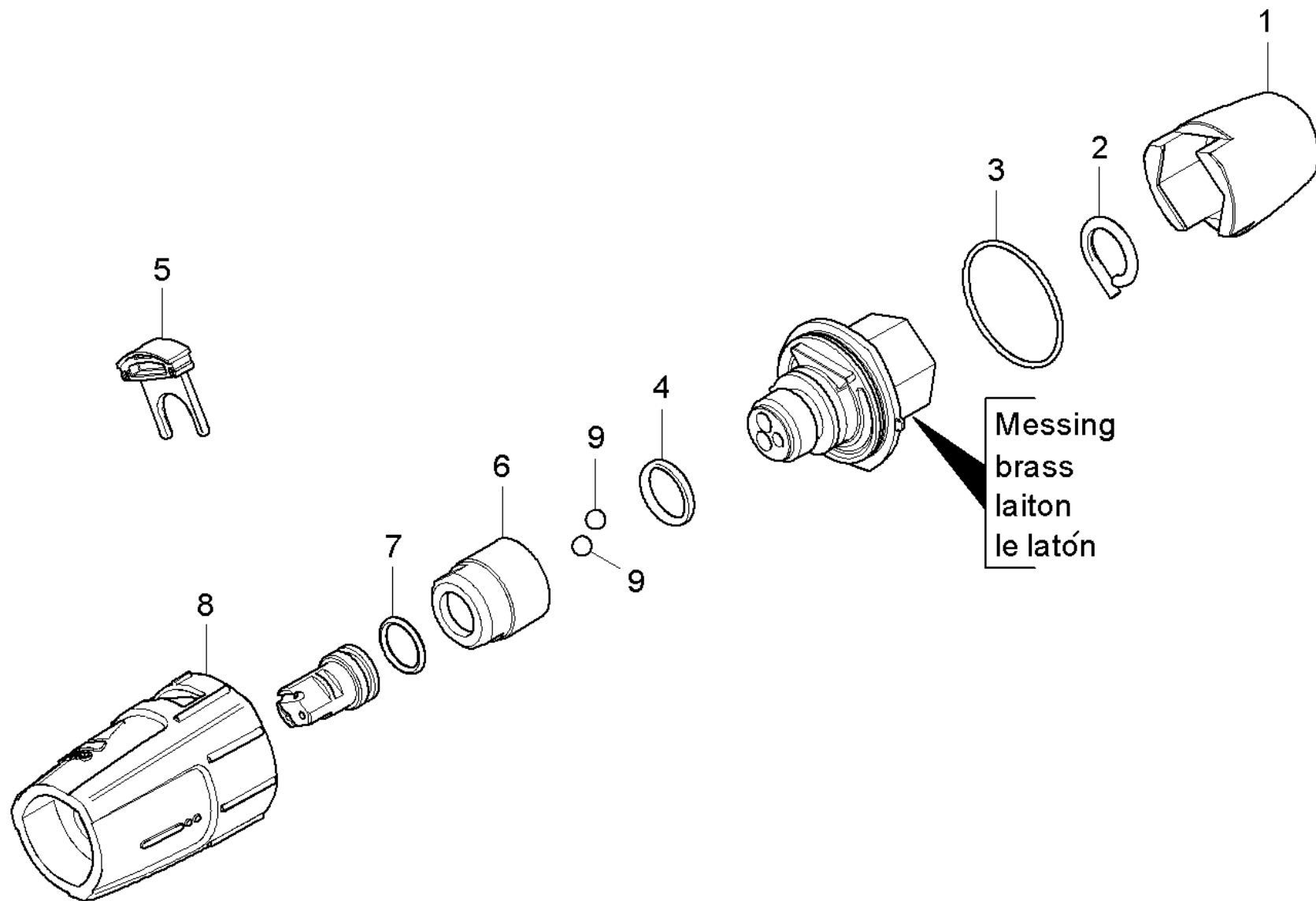
2 Spare parts list triple jet nozzle (5.970-837.0)

POS	Description	Quantity	Unit
20	Triple jet nozzle brass	1.000	ST
10	Triple jet nozzle plastics	1.000	ST



10 Triple jet nozzle plastics

POS	Article no.	Description	Quantity	Unit
5	5.321-884.0	Clamp	1.000	ST
6	5.311-236.0	Nut	1.000	ST
7	6.362-480.0	O-Ring seal 12,42x 1,78	1.000	ST
4	7.362-039.0	O-Ring seal 15,5x1,5 -NBR70 DIN 3771	1.000	ST
3	6.362-409.0	O-Ring seal 32,0 X 1,5	1.000	ST
2	6.343-150.0	Pin 03	1.000	ST
8	5.394-874.0	Protection part	1.000	ST
1	5.394-530.0	Protection part complete	1.000	ST
9	7.401-902.0	Sphere 5 G20 -1.4034 DIN 5401	2.000	ST



20 Triple jet nozzle brass

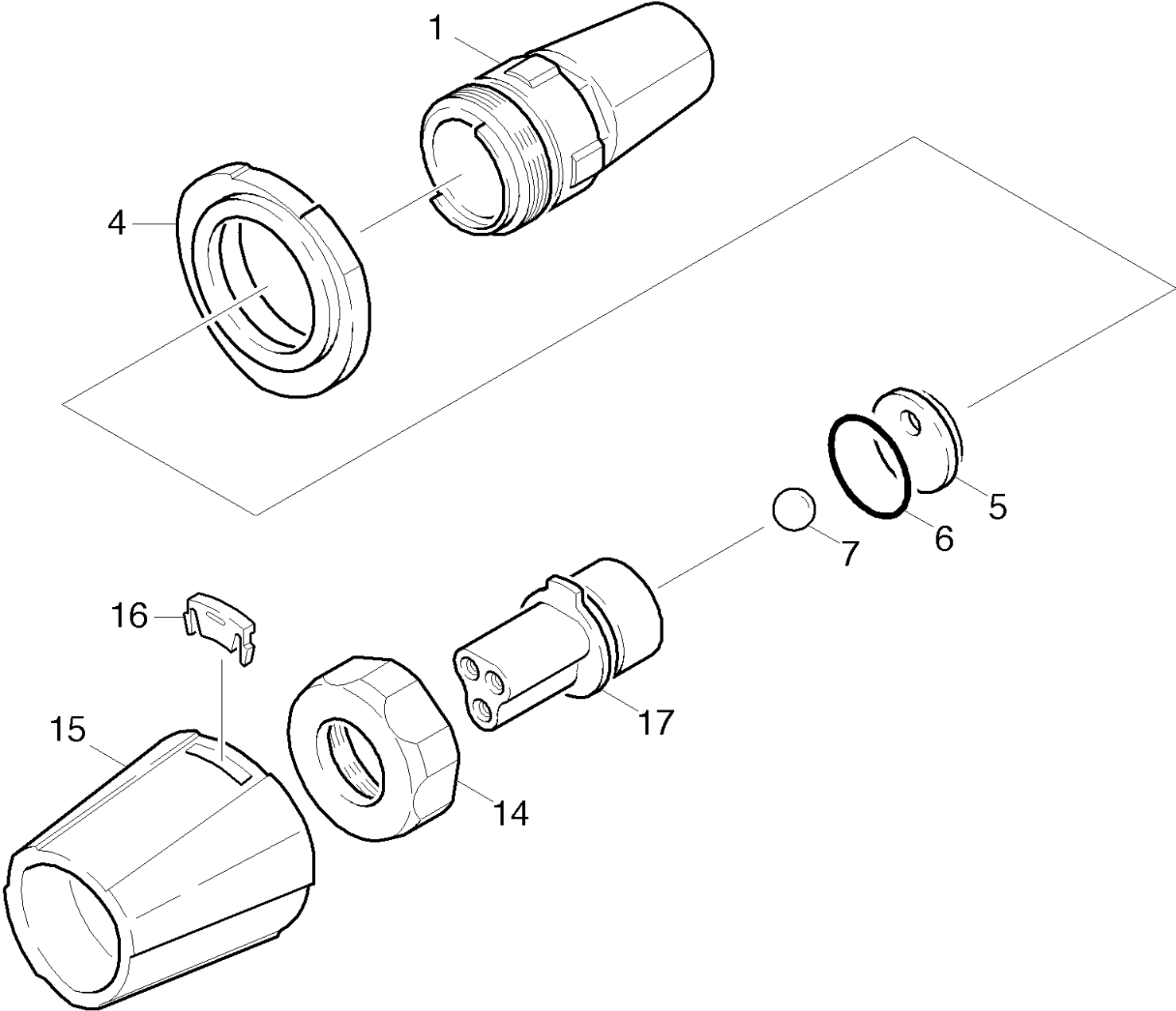
POS	Article no.	Description	Quantity	Unit
5	5.321-884.0	Clamp	1.000	ST
6	5.311-225.0	Nut	1.000	ST
7	6.362-480.0	O-Ring seal 12,42x 1,78	1.000	ST
4	6.362-460.0	O-Ring seal 14,0 X 2,5-NBR 70	1.000	ST
3	6.362-409.0	O-Ring seal 32,0 X 1,5	1.000	ST
2	6.343-150.0	Pin 03	1.000	ST
8	5.394-859.0	Protection part	1.000	ST
1	5.394-530.0	Protection part complete	1.000	ST
9	7.401-902.0	Sphere 5 G20 -1.4034 DIN 5401	2.000	ST

Triple jet nozzle 065 (4.767-019.0)

POS	Article no.	Description	Quantity	Unit
2	5.958-516.0	Spare parts list triple jet nozzle	1.000	ST
Item text2: 47670190				

2 Spare parts list triple jet nozzle (5.958-516.0)

POS	Description	Quantity	Unit
10	Triple jet nozzle	1.000	ST



10 Triple jet nozzle

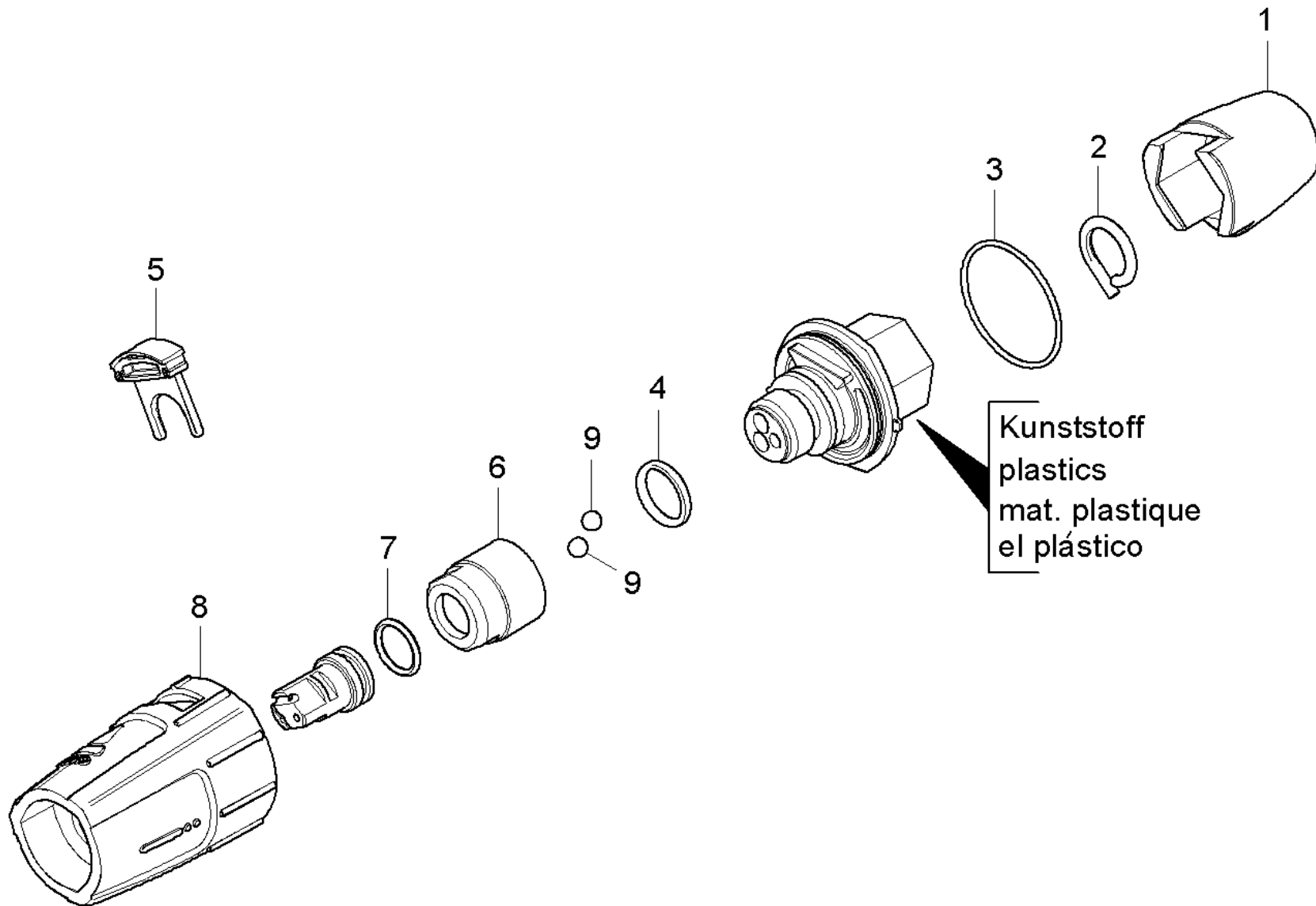
POS	Article no.	Description	Quantity	Unit
1	4.060-395.0	Housing complete only for replacement	1.000	ST
16	5.031-709.0	Moulded part	1.000	ST
5	5.031-370.0	Moulded part	1.000	ST
17	4.764-141.0	Nozzle holder 05	1.000	ST
17	4.764-138.0	Nozzle holder only for replacement 034	1.000	ST
17	4.767-015.0	Nozzle holder only for replacement 037	1.000	ST
17	4.764-139.0	Nozzle holder only for replacement 045	1.000	ST
17	4.764-148.0	Nozzle holder only for replacement 065	1.000	ST
6	6.362-831.0	O-Ring d. 22x2 NBR 90	1.000	ST
15	5.394-402.0	Protection part	1.000	ST
4	5.394-401.0	Protection part	1.000	ST
7	7.401-917.0	Sphere 10,0 G100-1.4301 DIN 5401	1.000	ST
17	7.777-999.0	Stockpiling discontinued	1.000	ST
17	7.777-999.0	Stockpiling discontinued	1.000	ST
17	7.777-999.0	Stockpiling discontinued	1.000	ST
17	7.777-999.0	Stockpiling discontinued	1.000	ST
17	4.767-148.0	Triple jet nozzle replacement 036	1.000	ST
17	4.767-148.0	Triple jet nozzle replacement 036	1.000	ST
14	5.311-192.0	Union nut	1.000	ST

17 Triple jet nozzle replacement 036 (4.767-148.0)

POS	Article no.	Description	Quantity	Unit
2	5.970-837.0	Spare parts list triple jet nozzle	1.000	ST

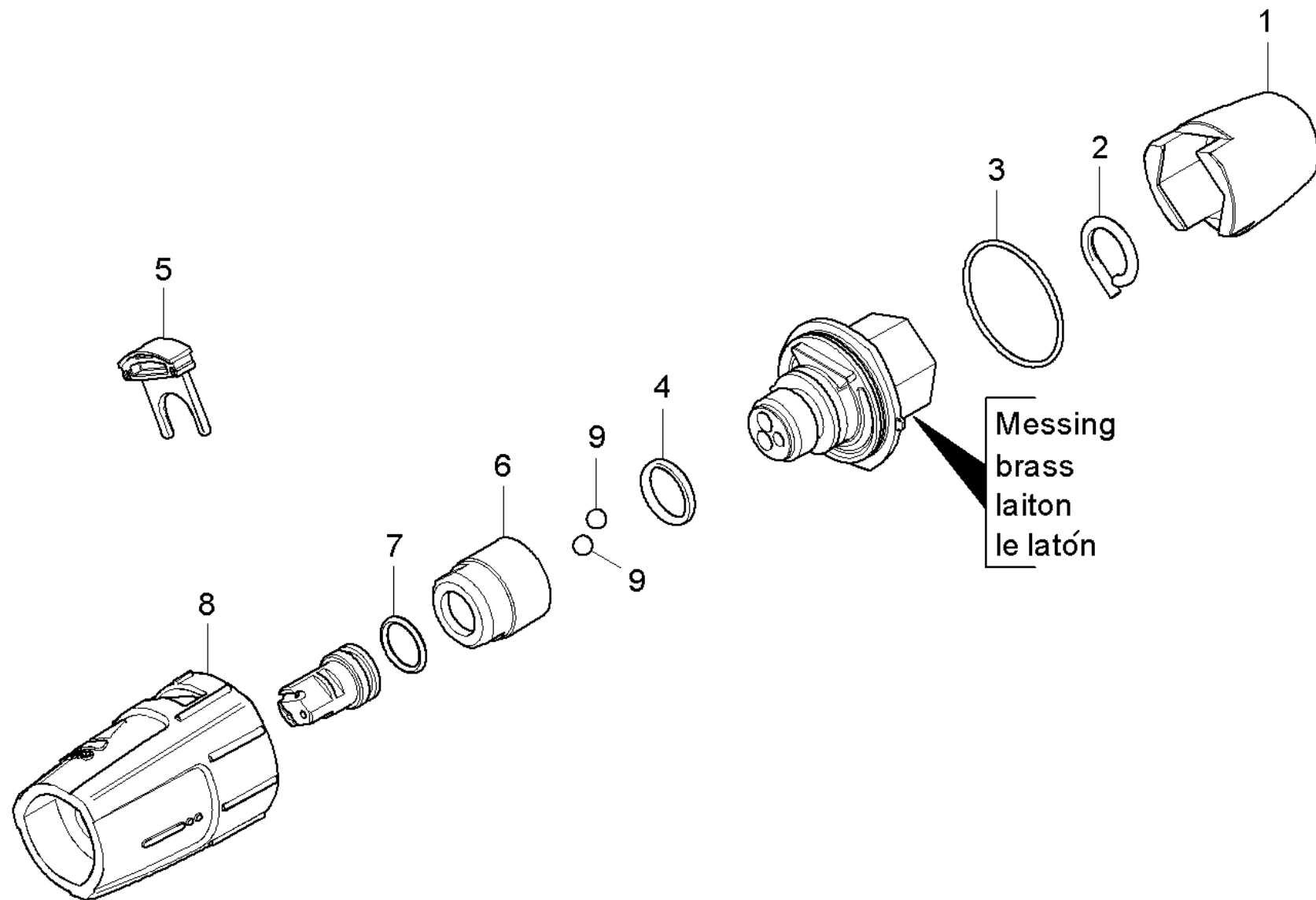
2 Spare parts list triple jet nozzle (5.970-837.0)

POS	Description	Quantity	Unit
20	Triple jet nozzle brass	1.000	ST
10	Triple jet nozzle plastics	1.000	ST



10 Triple jet nozzle plastics

POS	Article no.	Description	Quantity	Unit
5	5.321-884.0	Clamp	1.000	ST
6	5.311-236.0	Nut	1.000	ST
7	6.362-480.0	O-Ring seal 12,42x 1,78	1.000	ST
4	7.362-039.0	O-Ring seal 15,5x1,5 -NBR70 DIN 3771	1.000	ST
3	6.362-409.0	O-Ring seal 32,0 X 1,5	1.000	ST
2	6.343-150.0	Pin 03	1.000	ST
8	5.394-874.0	Protection part	1.000	ST
1	5.394-530.0	Protection part complete	1.000	ST
9	7.401-902.0	Sphere 5 G20 -1.4034 DIN 5401	2.000	ST



20 Triple jet nozzle brass

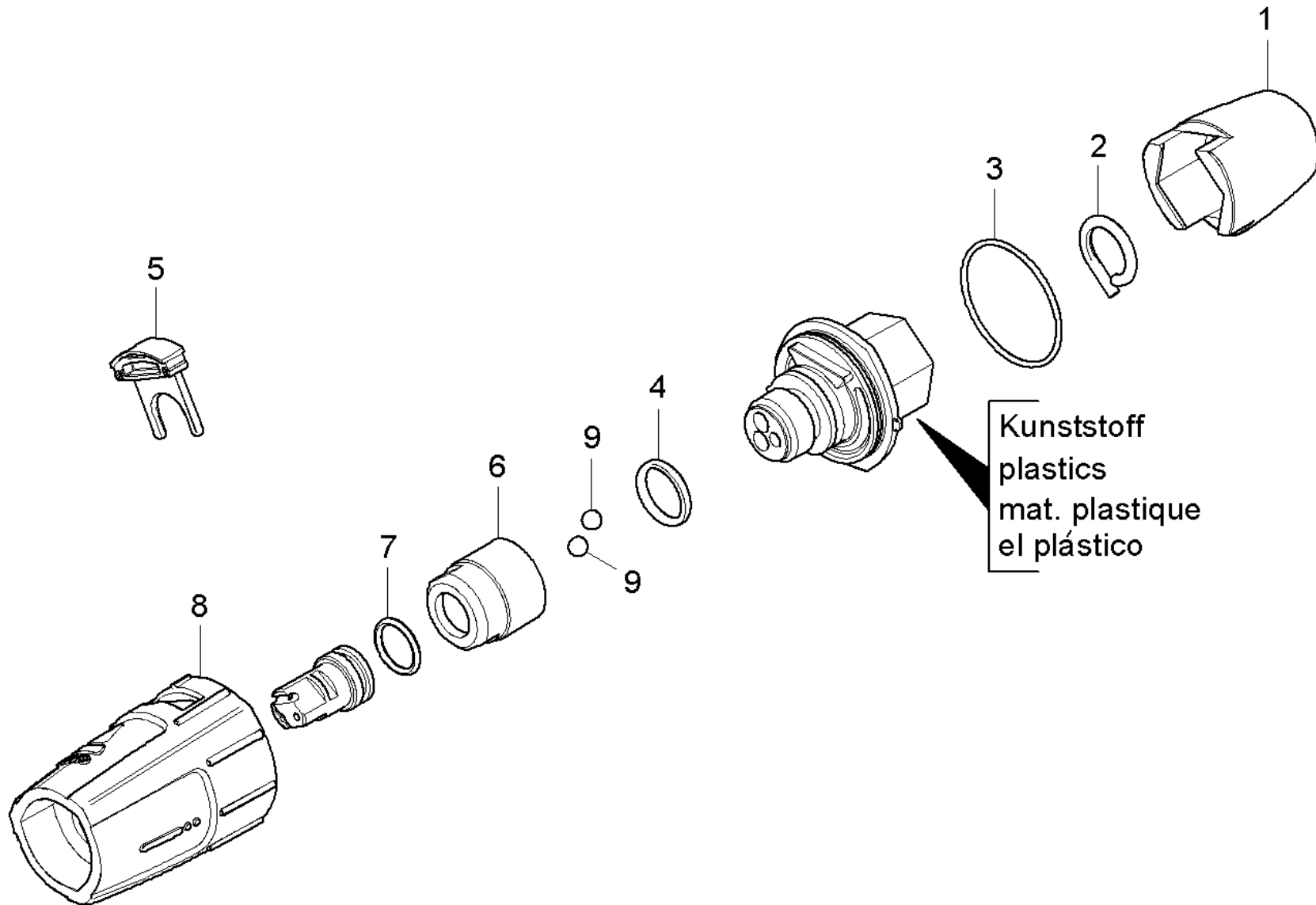
POS	Article no.	Description	Quantity	Unit
5	5.321-884.0	Clamp	1.000	ST
6	5.311-225.0	Nut	1.000	ST
7	6.362-480.0	O-Ring seal 12,42x 1,78	1.000	ST
4	6.362-460.0	O-Ring seal 14,0 X 2,5-NBR 70	1.000	ST
3	6.362-409.0	O-Ring seal 32,0 X 1,5	1.000	ST
2	6.343-150.0	Pin 03	1.000	ST
8	5.394-859.0	Protection part	1.000	ST
1	5.394-530.0	Protection part complete	1.000	ST
9	7.401-902.0	Sphere 5 G20 -1.4034 DIN 5401	2.000	ST

17 Triple jet nozzle replacement 036 (4.767-148.0)

POS	Article no.	Description	Quantity	Unit
2	5.970-837.0	Spare parts list triple jet nozzle	1.000	ST

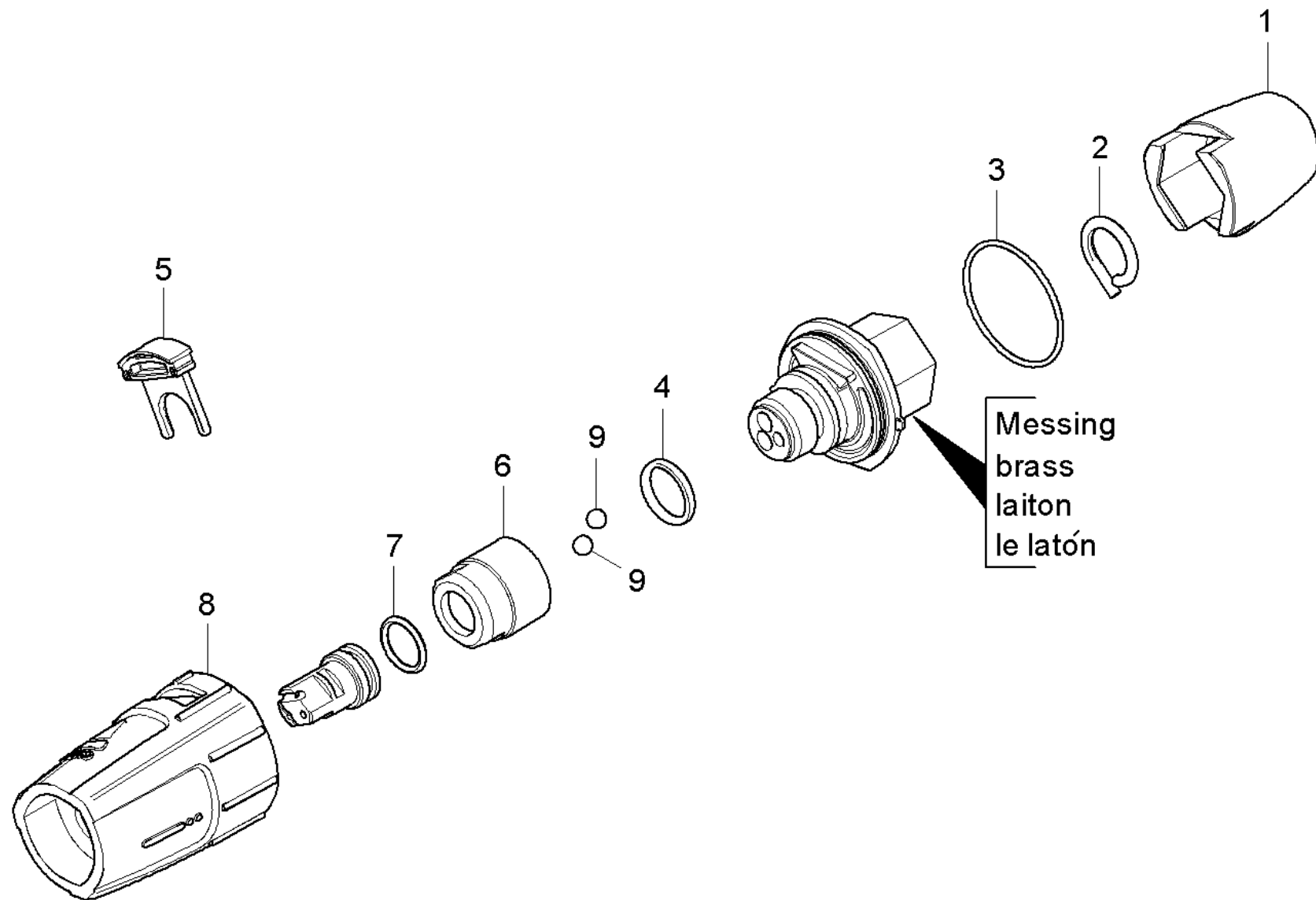
2 Spare parts list triple jet nozzle (5.970-837.0)

POS	Description	Quantity	Unit
20	Triple jet nozzle brass	1.000	ST
10	Triple jet nozzle plastics	1.000	ST



10 Triple jet nozzle plastics

POS	Article no.	Description	Quantity	Unit
5	5.321-884.0	Clamp	1.000	ST
6	5.311-236.0	Nut	1.000	ST
7	6.362-480.0	O-Ring seal 12,42x 1,78	1.000	ST
4	7.362-039.0	O-Ring seal 15,5x1,5 -NBR70 DIN 3771	1.000	ST
3	6.362-409.0	O-Ring seal 32,0 X 1,5	1.000	ST
2	6.343-150.0	Pin 03	1.000	ST
8	5.394-874.0	Protection part	1.000	ST
1	5.394-530.0	Protection part complete	1.000	ST
9	7.401-902.0	Sphere 5 G20 -1.4034 DIN 5401	2.000	ST



20 Triple jet nozzle brass

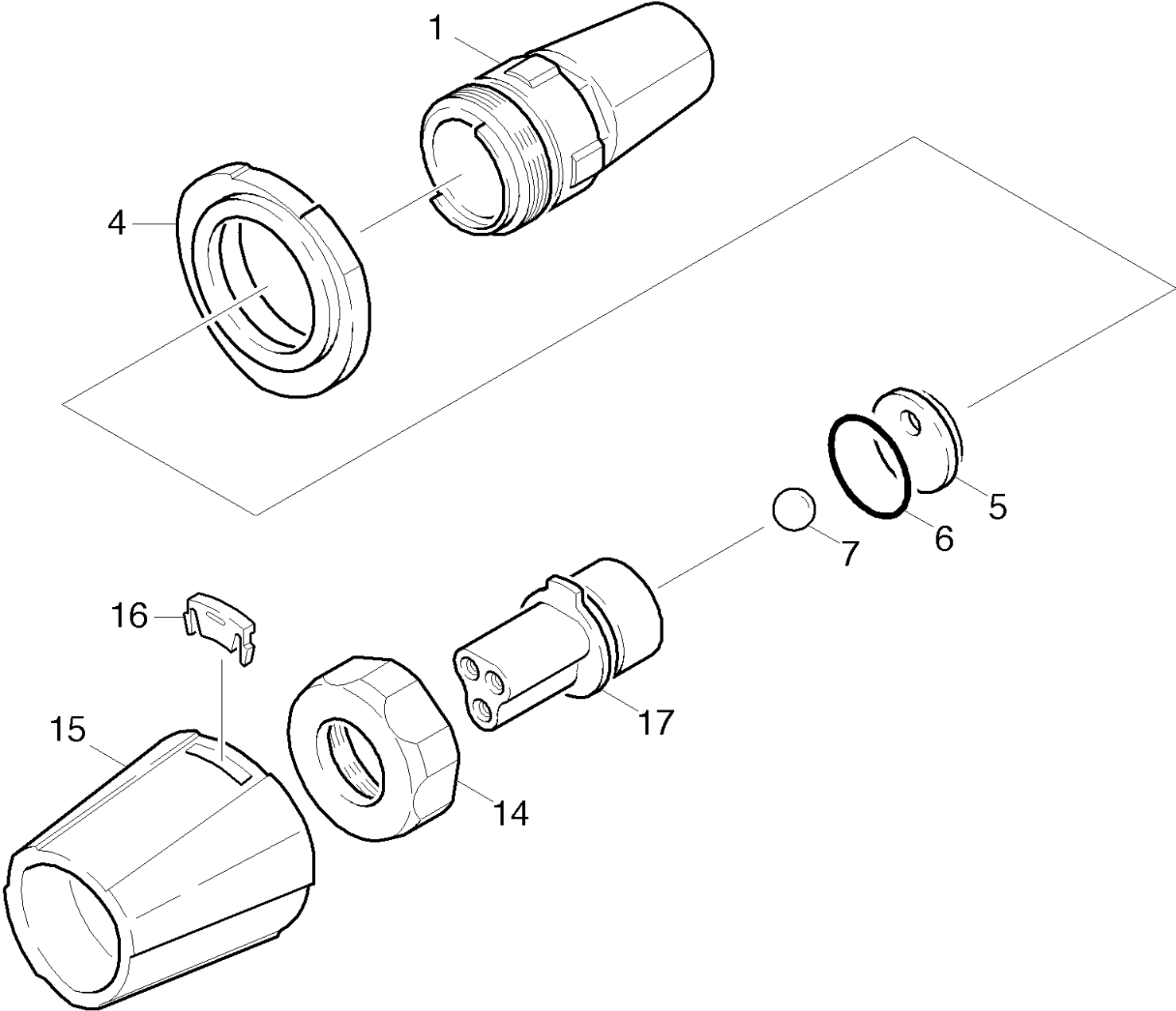
POS	Article no.	Description	Quantity	Unit
5	5.321-884.0	Clamp	1.000	ST
6	5.311-225.0	Nut	1.000	ST
7	6.362-480.0	O-Ring seal 12,42x 1,78	1.000	ST
4	6.362-460.0	O-Ring seal 14,0 X 2,5-NBR 70	1.000	ST
3	6.362-409.0	O-Ring seal 32,0 X 1,5	1.000	ST
2	6.343-150.0	Pin 03	1.000	ST
8	5.394-859.0	Protection part	1.000	ST
1	5.394-530.0	Protection part complete	1.000	ST
9	7.401-902.0	Sphere 5 G20 -1.4034 DIN 5401	2.000	ST

Triple jet nozzle 100 (4.767-106.0)

POS	Article no.	Description	Quantity	Unit
20	5.970-000.0	Spare parts list triple jet nozzle	1.000	ST
Item text2: 47670690				

20 Spare parts list triple jet nozzle (5.970-000.0)

POS	Description	Quantity	Unit
10	Triple jet nozzle	1.000	ST

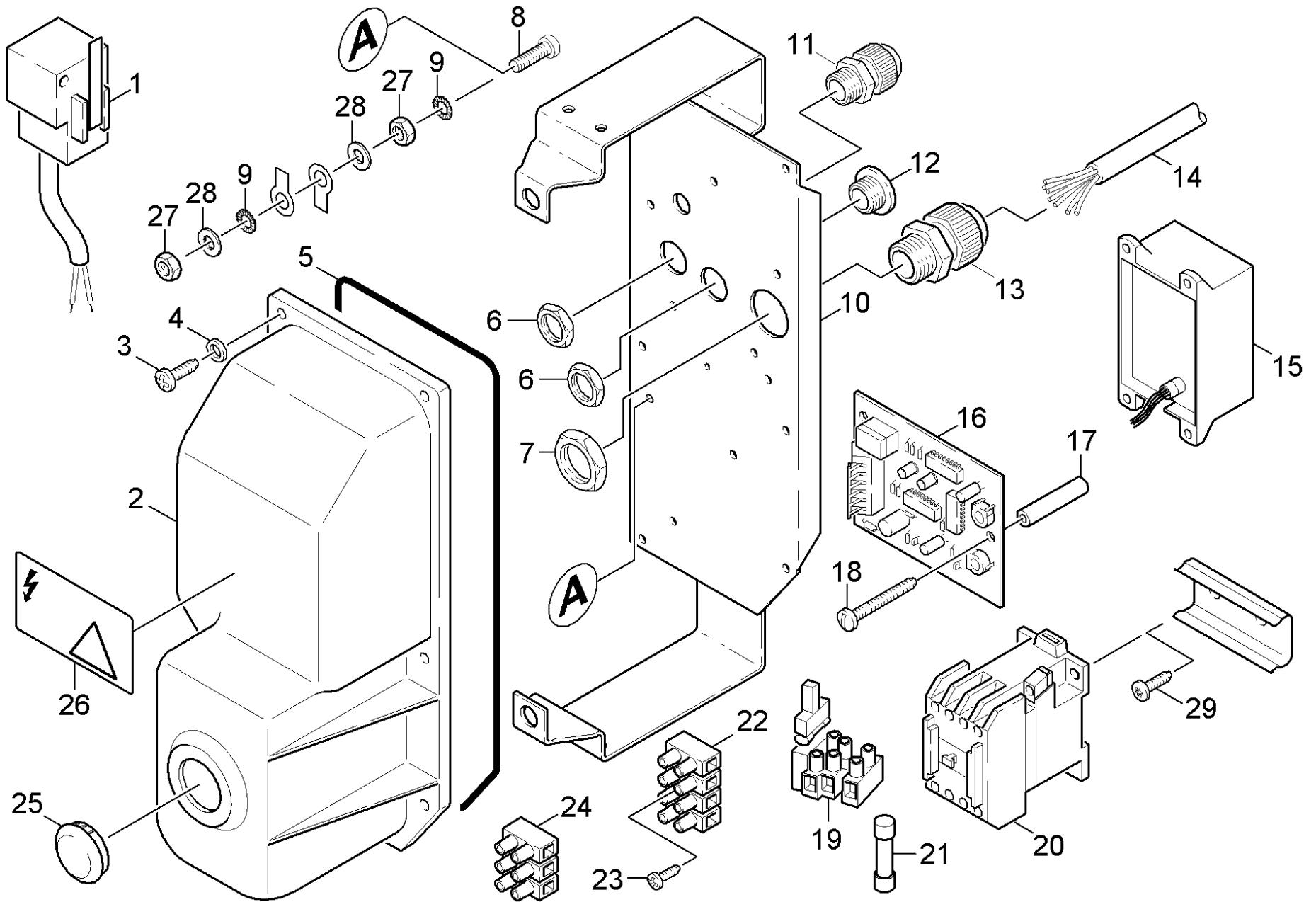


10 Triple jet nozzle

POS	Article no.	Description	Quantity	Unit	Remark
1	4.060-395.0	Housing complete only for replacement	1.000	ST	
5	5.031-370.0	Moulded part	1.000	ST	
16	5.031-709.0	Moulded part	1.000	ST	
17	4.764-173.0	Nozzle holder 0100	1.000	ST	4.767-106.0
17	4.764-157.0	Nozzle holder 047	1.000	ST	4.767-064.0
17	4.764-158.0	Nozzle holder 05	1.000	ST	4.767-065.0
17	4.764-159.0	Nozzle holder 055	1.000	ST	4.767-066.0
17	4.764-161.0	Nozzle holder 08	1.000	ST	4.767-068.0
17	4.764-169.0	Nozzle holder 09	1.000	ST	4.767-075.0
6	6.362-831.0	O-Ring d. 22x2 NBR 90	1.000	ST	
15	5.394-402.0	Protection part	1.000	ST	
4	5.394-401.0	Protection part	1.000	ST	
7	7.401-917.0	Sphere 10,0 G100-1.4301 DIN 5401	1.000	ST	
17	7.777-999.0	Stockpiling discontinued	1.000	ST	4.767-067.0/-069.0
14	5.311-192.0	Union nut	1.000	ST	

17 Nozzle holder 055 (4.764-159.0)

POS	Article no.	Description	Quantity	Unit
9	6.590-002.0	Bag PE 150x230 mm	1.000	ST
	Item text2: 47641590			
7	6.362-661.0	O-Ring seal 5,0 X 1,0-NBR 80	3.000	ST
	Item text2: 47641590			
8	6.363-612.0	O-Ring seal 22 x 2 -NBR90	1.000	ST
	Item text2: 47641590			
1	5.031-597.0	Rectifier	2.000	ST
	Item text2: 47641590			



70 Electric control box

POS	Article no.	Description	Quantity	Unit	Foot note text
14	4.820-990.0	Cable 7x2,5mm ²	1.000	ST	
11	6.641-355.0	Cable gland PG9	1.000	ST	
13	6.641-356.0	Cable gland PG16	1.000	ST	
25	6.368-103.0	Cap 19	1.000	ST	
19	6.643-964.0	Clamp with fuse	1.000	ST	
15	6.622-248.0	Control transformer	1.000	ST	
2	5.066-893.0	Cover	1.000	ST	
12	6.641-325.0	Drain plug PG9	1.000	ST	
21	6.644-204.0	Fuse slow 1,25A	1.000	ST	
18	7.304-043.0	Hexagonal head screw M 4x35-A4-70 ISO 4	3.000	ST	
27	7.311-001.0	Hexagon nut M4 -8-A2E ISO 4032	2.000	ST	
10	5.044-629.0	Holder electric control box	1.000	ST	
26	5.388-512.0	Label	1.000	ST	
6	6.641-366.0	Locknut PG 9	2.000	ST	
7	6.641-370.0	Locknut PG16-PA DIN 46320	1.000	ST	
1	6.630-008.0	Micro switch	1.000	ST	
20	6.632-334.0	Power contactor LC1 D32 B7	1.000	ST	VERSION 1
3	7.303-032.0	Screw M4x12 -St-R2R (In6Rd)	6.000	ST	
8	7.303-033.0	Screw M4x16-ST-A2R (KOMBI-IN6RD)	2.000	ST	
29	7.306-067.0	Screw M 5x8-ST- 8.8-R2R (IN6RD)	2.000	ST	
5	6.273-037.0	Seal string cellular rubber 3	1.000	M	
23	6.303-014.0	Self-tapping screw M3X 16-ST-A2E	1.000	ST	
9	7.312-230.0	Serrated lock washer A4,3-FSt-A3E DIN67	1.000	ST	
17	6.347-109.0	Sleeve	3.000	ST	
22	6.643-623.0	Strip terminal four-pole	1.000	ST	
24	6.643-650.0	Strip terminal triple-pole	1.000	ST	
16	6.631-538.0	Timer module	1.000	ST	
28	7.312-001.0	Washer 4 -200HV-A3E ISO 7089	2.000	ST	
4	7.312-067.0	Washer 4-A2 ISO 7089	8.000	ST	