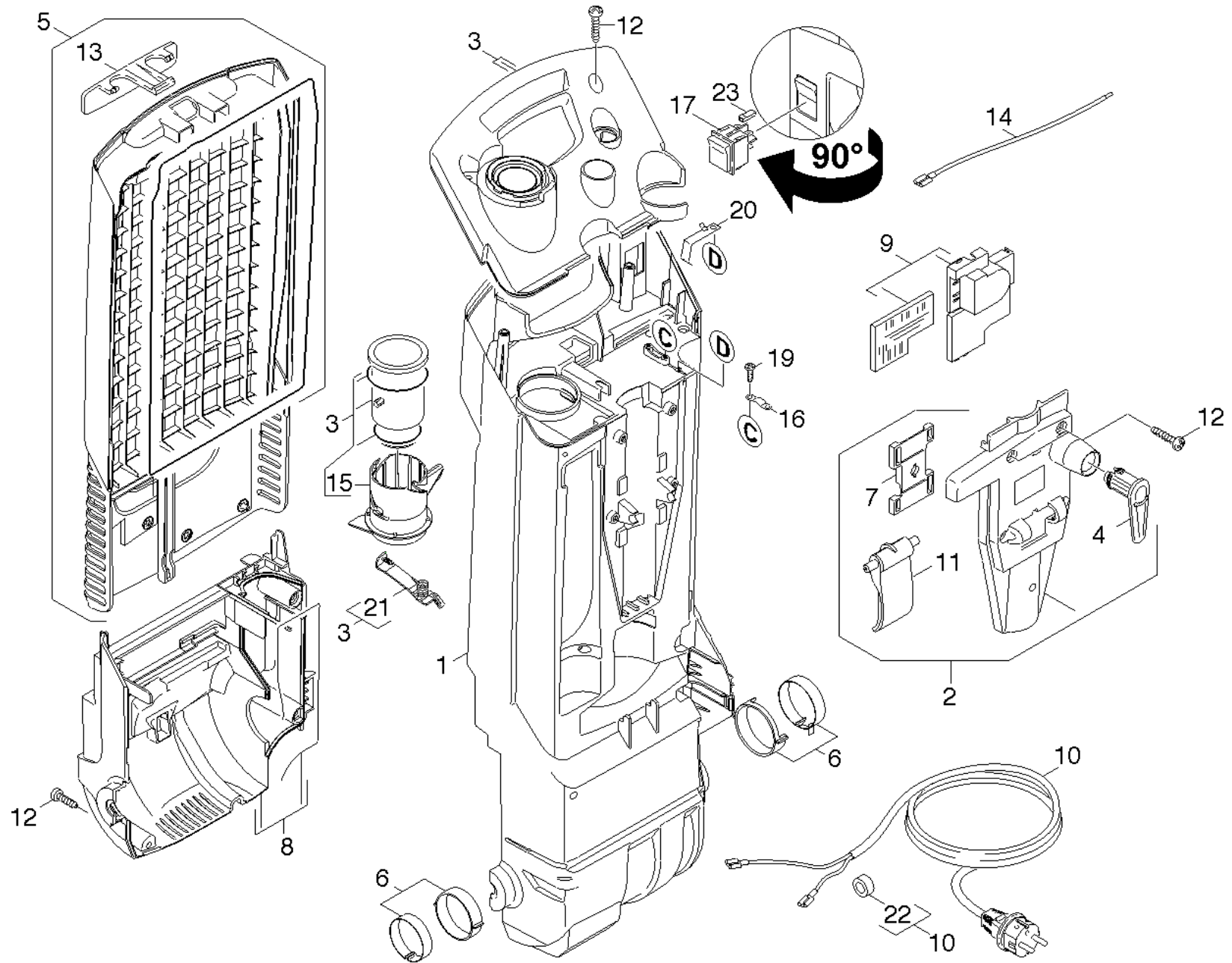


12 Appliance top part

Professional \ Vacuum cleaner \ Dry vacuum cleaner \ CV 38/2 *EU \ Spare parts list CV 38/2, CV 48/2 \ Top part \ Appliance top part



12 Appliance top part

Professional \ Vacuum cleaner \ Dry vacuum cleaner \ CV 38/2 *EU \ Spare parts list CV 38/2, CV 48/2 \ Top part \ Appliance top part



POS	Article no.	Description	Quantity	Unit	Remark	Foot note text
1	5.060-991.3	Housing	1	PC		
2	4.032-003.0	Covering cap complete only for replaceme	1	PC		
3	4.032-004.0	Covering cap electric	1	PC		
4	5.044-661.0	Catch for cable yellow	1	PC		
5	4.071-551.0	Cover plate complete	1	PC		
	Item text1: 1.033-321.0 / -322.0 / -323.0					
	Item text2: 1.057-315.0 / -316.0 / -317.0					
5	7.777-999.0	Stockpiling discontinued	1	PC		
	Item text1: 1.033-315.0 / -316.0 / -317.0 / -319.0 -					
	Item text2: 1.057-310.0 / -311.0 / -312.0 / -320.0					
6	2.889-076.0	Set bearing shells	1	PC		
7	5.032-448.0	CLAMP	1	PC		
8	4.053-224.0	Covering cap motor complete nur fuer Ers	1	PC		
9	4.682-000.0	Circuit board only for replacement CV30/	1	PC		
10	4.649-049.0	Power cable for replacement	1	PC	*EU	
	Item text1: 1.033-315.0 - 1.057-310.0					
10	4.649-059.0	Power cable for replacement *CN	1	PC	*CN	
	Item text1: 1.033-319.0 / -320.0					
10	4.649-042.0	Power cable for replacement	1	PC		
	Item text1: 1.033-321.0 - 1.057-315.0					
10	4.649-037.0	Power cable for replacement	1	PC	*AU	
	Item text1: 1.033-317.0 / -323.0 - 1.057-312.0					
	Item text2: / -317.0					
10	4.649-036.0	Power cable for replacement	1	PC	*GB	
	Item text1: 1.033-316.0 / -322.0 - 1.057-311.0					
	Item text2: / -316.0					
11	5.481-345.0	Clamp lever	1	PC		
12	7.303-108.0	Screw 5x20 -10.9-R2R (In6Rd)	9	PC		
13	5.075-030.0	Closure cover	1	PC		BLACK
13	5.075-038.3	Closure cover	1	PC		YELLOW
14	4.839-402.0	Electrical small parts CV 38/2, CV 48/2	1	PC		

12 Appliance top part

Professional \ Vacuum cleaner \ Dry vacuum cleaner \ CV 38/2 *EU \ Spare parts list CV 38/2, CV 48/2 \ Top part \ Appliance top part



POS	Article no.	Description	Quantity	Unit	Remark	Foot note text
15	5.481-352.0	OPERATING LEVER	1	PC		
16	6.903-241.0	Clamp clip	1	PC		
17	6.630-156.0	Rocker switch black	1	PC		
19	6.303-318.0	Screw 3,5x12-10.9-R2R (IN6RD)	2	PC		
20	5.034-689.0	Spring earthing	1	PC		
21	4.332-008.0	Spring connection piece completely	1	PC		
22	6.346-043.0	Ferrite ring	1	PC		
23	6.647-748.0	Insulation sheath	2	PC		