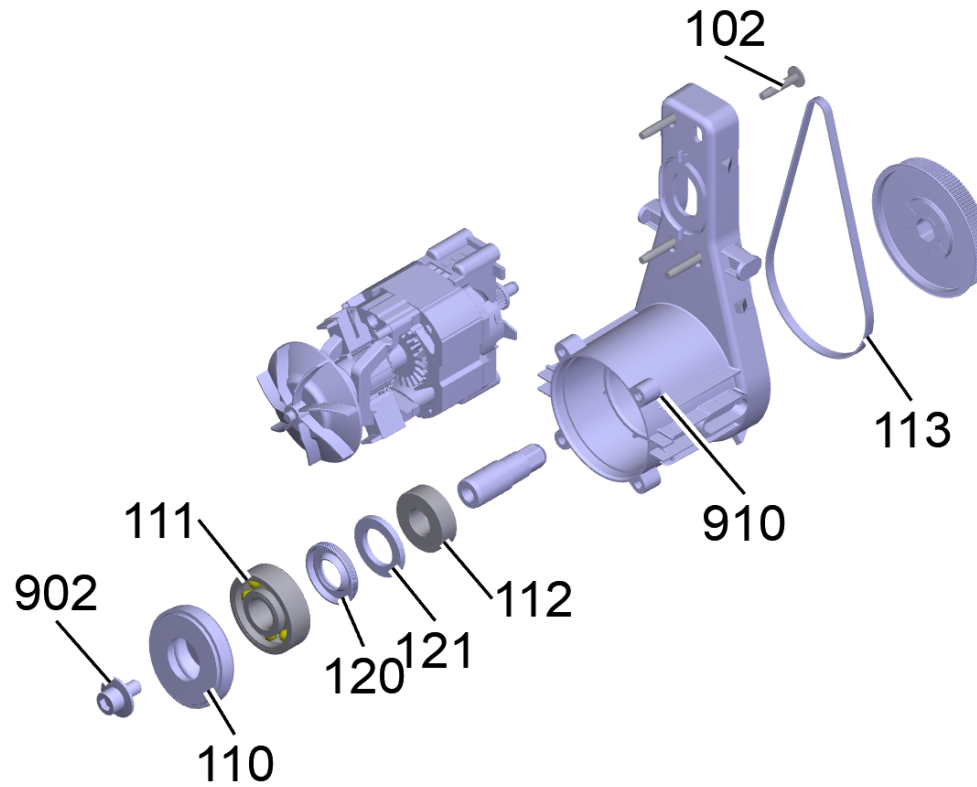


901 Transmission K Mini *EU (4.100-814.0)

Home and Garden \ High pressure cleaner cold water \ Electric motor \ K 2 \ K Mini *EU \ Pump set cpl. K Mini Pl. *EU (0,75kW-ZR) \ Pump set with toothed belt pulley RV*EU (0,75kW) \ Transmission K Mini *EU



901 Transmission K Mini *EU (4.100-814.0)

Home and Garden \ High pressure cleaner cold water \ Electric motor \ K 2 \ K Mini *EU \ Pump set cpl. K Mini Pl. *EU (0,75kW-ZR) \ Pump set with toothed belt pulley RV*EU (0,75kW) \ Transmission K Mini *EU

KÄRCHER

POS	Article no.	Description	Quantity	Unit
112	4.401-198.0	Ball bearing 6202-2RS -Wälzl.St DIN 625	1	PC
111	7.401-010.0	Ball bearing 6303 St DIN 625-1	1	PC
120	9.078-021.0	Grooved ring 17x35x5	1	PC
910	5.093-210.0	Oil housing with flange Mini PW	1	PC
102	6.303-260.0	Screw 5x26,4	4	PC
113	6.348-033.0	Toothed belt STD 380 S2M 5	1	PC
121	5.116-277.0	Washer K Mini	1	PC
110	4.120-276.0	Wobble plate complete three parts 6°12' (ex.)	1	PC
902	9.086-169.0	Wobble plate screw M8x16	1	PC