

## **Spare parts list**

(1.320-552.0) K 2.03 PLUS \*CH

## Table of contents

---

K 2.03 PLUS *CH (1.320-552.0)	3
Spare parts list K 203 PLUS *EU (5.970-026.0)	4
10 Housing	5
11 Housing	6
6 Spare parts set strain relief with cable (2.885-486.0)	8
12 Chassis	10
20 Pump set	12
21 Housing	13
22 Thrust guidance	15
30 Motor	17
40 Accessories	19
41 Hand trigger gun	20
4 HK 7,5 high pressure hose set+trigger gu (2.643-910.0)	22
1 G 180 Q Trigger gun Quick Connect (2.642-889.0)	24
2 H 9 Q high pressure hose Quick Connect (2.641-721.0)	26
42 Hand trigger gun	28
4 HK 7,5 high pressure hose set+trigger gu (2.643-910.0)	30
1 G 180 Q Trigger gun Quick Connect (2.642-889.0)	32
2 H 9 Q high pressure hose Quick Connect (2.641-721.0)	34
43 Jet pipe	36
6 VPS K2 0287 (4.760-723.0)	38
7 WB 100 washing brush (2.643-236.0)	40
44 T 50	42
3 Single-step jet pipe extension (2.643-240.0)	44
8 Spare parts nozzles T-Racer (2.643-338.0)	46

K 2.03 PLUS \*CH (1.320-552.0)

---

POS	Article no.	Description	Quantity	Unit
0	5.970-026.0	Spare parts list K 203 PLUS *EU	1	PC
	Item text2: 13205520			

---

Spare parts list K 203 PLUS \*EU (5.970-026.0)

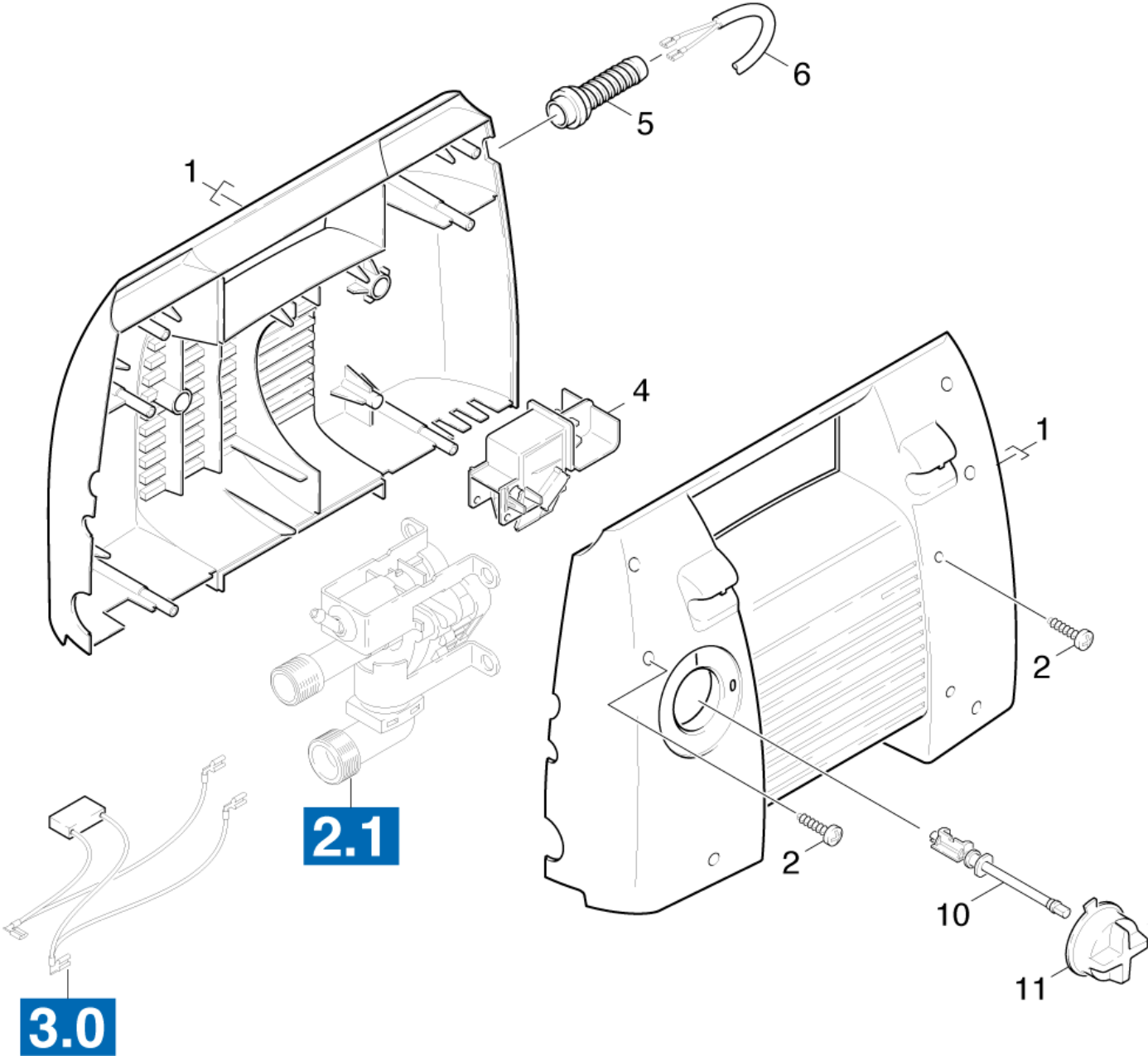
---

<b>POS</b>	<b>Description</b>	<b>Quantity</b>	<b>Unit</b>
10	Housing	1	PC
20	Pump set	1	PC
30	Motor	1	PC
40	Accessories	1	PC

## 10 Housing

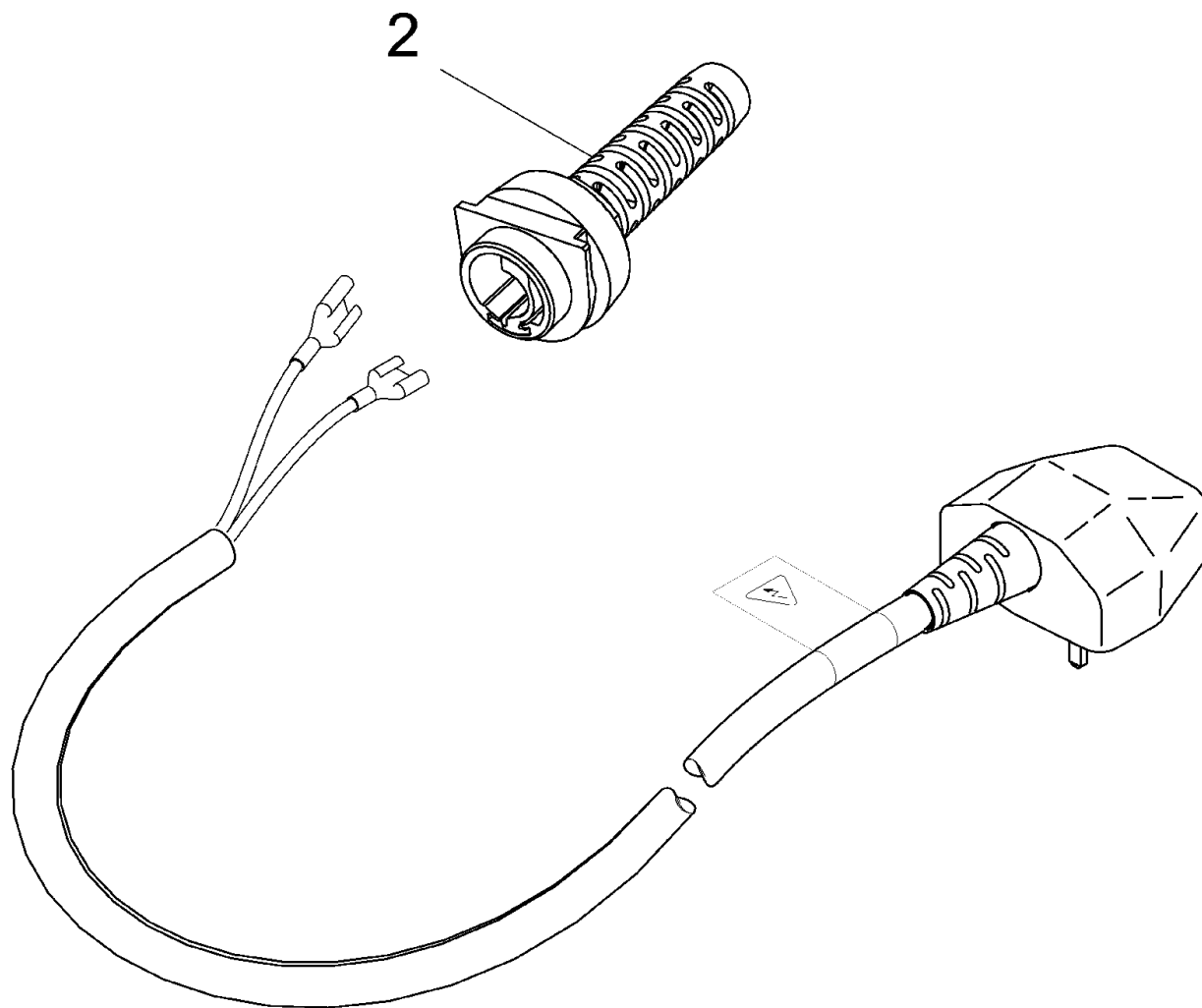
---

<b>POS</b>	<b>Description</b>	<b>Quantity</b>	<b>Unit</b>
11	Housing	1	PC
12	Chassis	1	PC



## 11 Housing

POS	Article no.	Description	Quantity	Unit
1	7.777-999.0	Stockpiling discontinued	1	PC
2	7.303-096.0	Screw 4x22-ST-10.9-R2R (IN6RD)	6	PC
4	6.630-357.0	Switch complete UL/CSA+Ers. (ohne Fluege	1	PC
5	9.760-372.0	strain relief	1	PC
6	2.885-486.0	Spare parts set strain relief with cable	1	PC
	<b>Item text1:</b> / 1.320-551.0			
6	6.647-616.0	Cable with plug *AU (2x1)	1	PC
	<b>Item text1:</b> / 1.320-554.0			
6	6.648-181.0	Cable with plug *EU (H05VV-F 2x1-5,5m)	1	PC
	<b>Item text1:</b> / 1.320-550.0 / -559.0			
	<b>Item text2:</b> 1.671-160.0 / -180.0 / -181.0			
6	6.651-860.0	Cable with plug *CH (IP55,H05VV-F 2x1)	1	PC
	<b>Item text1:</b> / 1.320-560.0 / 1.671-163.0			
10	7.777-999.0	Stockpiling discontinued	1	PC
11	5.321-687.0	Handhold switch replacement	1	PC



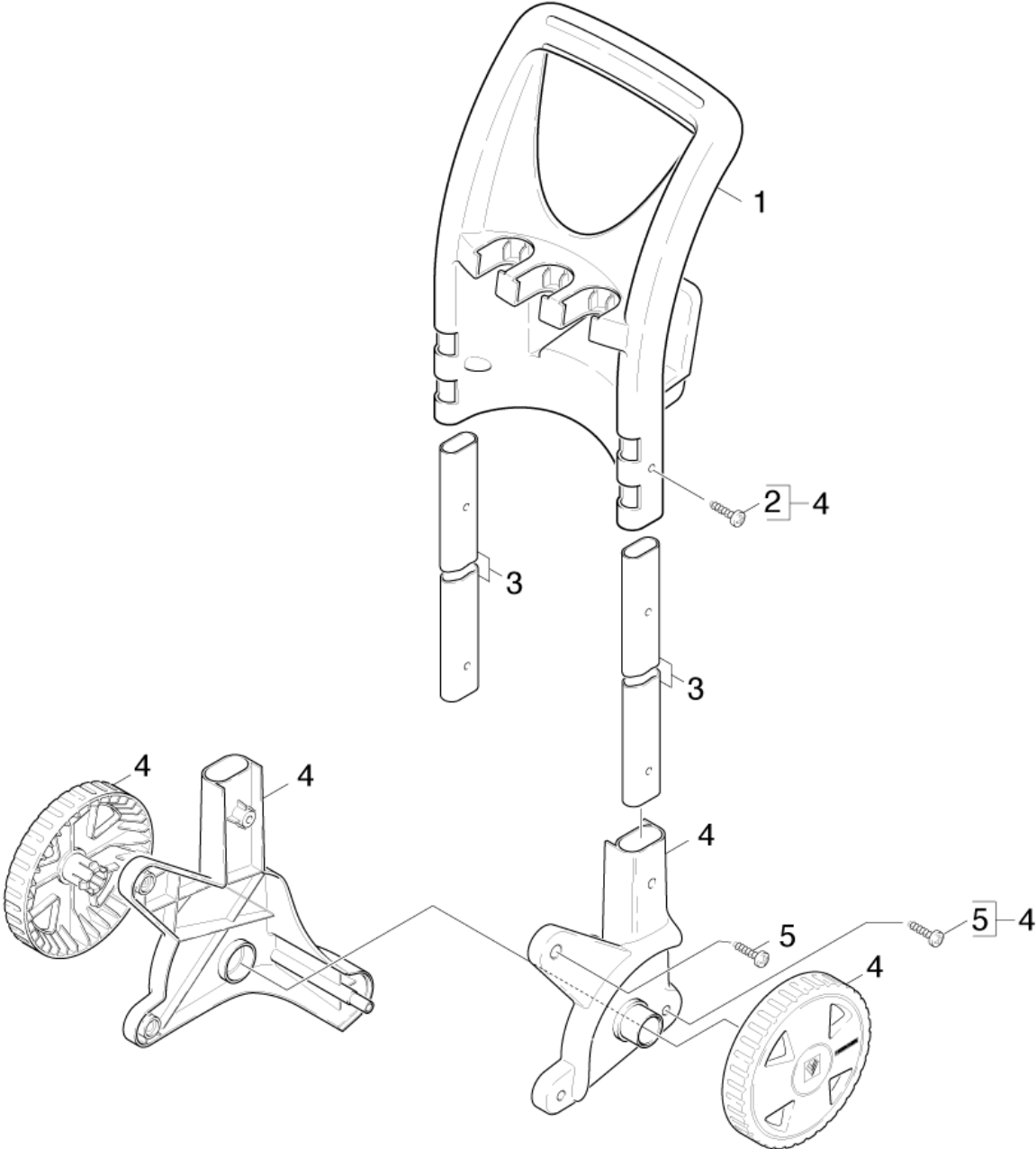


6 Spare parts set strain relief with cable (2.885-486.0)

---

POS	Article no.	Description	Quantity	Unit
2	9.760-372.0	strain relief	1	PC

---



## 12 Chassis

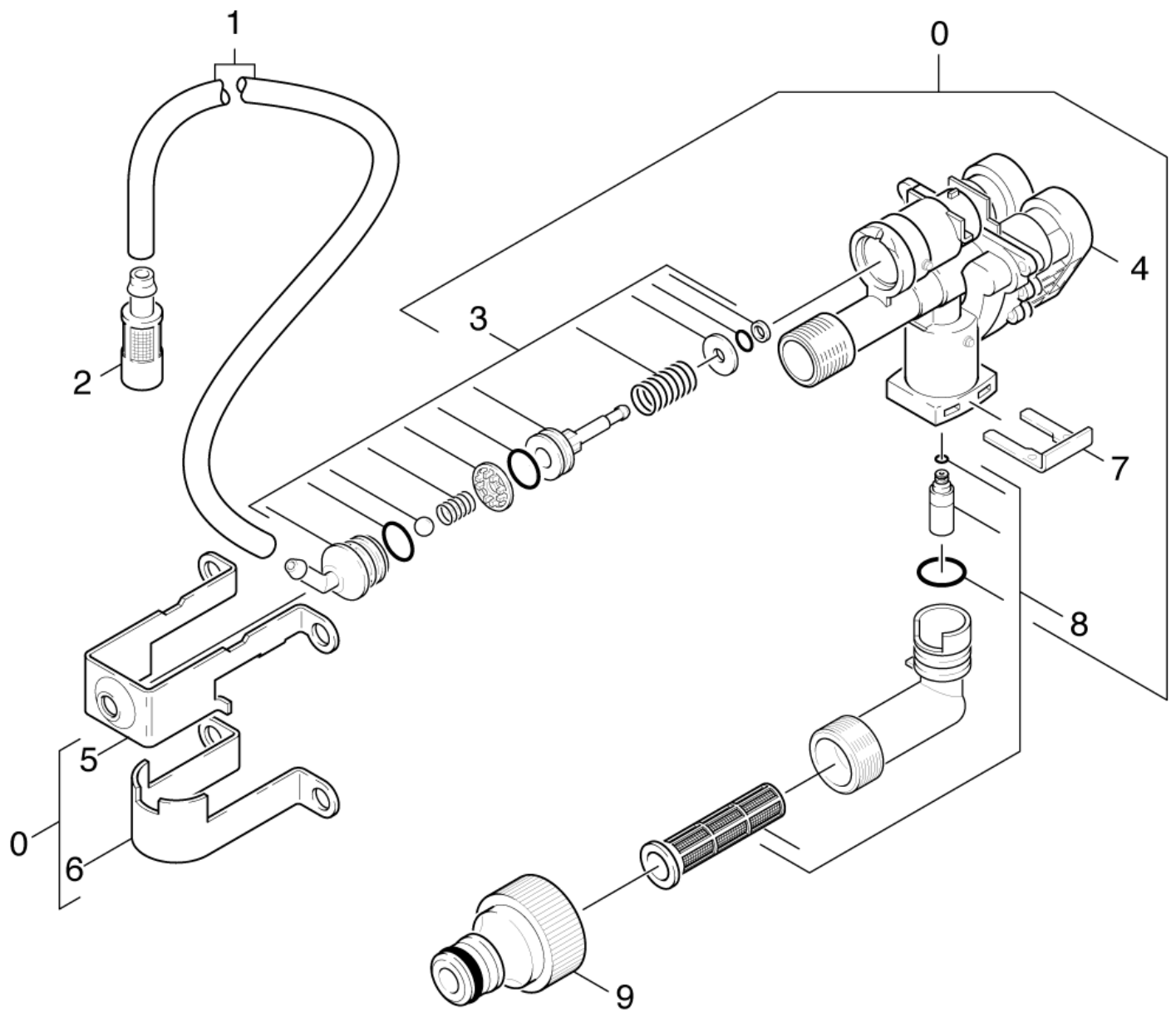
---

POS	Article no.	Description	Quantity	Unit
1	7.777-999.0	Stockpiling discontinued	1	PC
	<b>Item text1:</b> 1.671-163-0 / -180.0 / -181.0			
2	6.303-501.0	Screw 5 x 30	4	PC
	<b>Item text1:</b> 1.671-163-0 / -180.0 / -181.0			
3	7.777-999.0	Stockpiling discontinued	2	PC
	<b>Item text1:</b> 1.671-163-0 / -180.0 / -181.0			
4	7.777-999.0	Stockpiling discontinued	1	PC
	<b>Item text1:</b> 1.671-163-0 / -180.0 / -181.0			
5	7.303-109.0	Screw 5x25 -10.9-R2R (In6Rd)	5	PC
	<b>Item text1:</b> 1.671-163-0 / -180.0 / -181.0			

## 20 Pump set

---

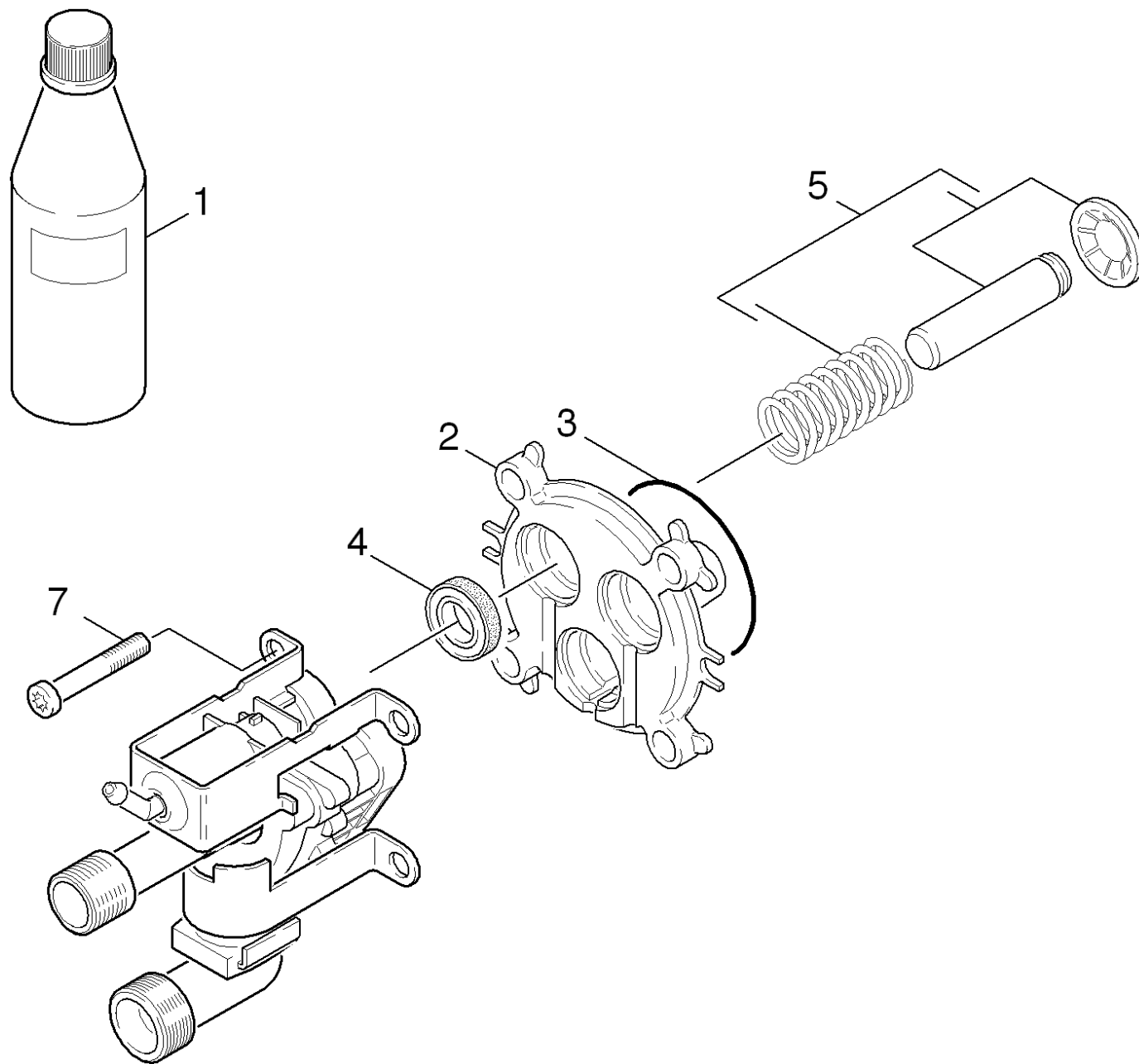
<b>POS</b>	<b>Description</b>	<b>Quantity</b>	<b>Unit</b>
21	Housing	1	PC
22	Thrust guidance	1	PC



## 21 Housing

---

POS	Article no.	Description	Quantity	Unit	Foot note text
0	4.550-595.0	Cylinder head complete replacement	1	PC	
1	6.388-216.0	Hose DN 5 (PVC)	1	m	TO ORDER AS CUT GOODS
2	5.731-652.0	Filter with weight	1	PC	
3	2.884-133.0	Spare part set control piston chemistry	1	PC	
4	7.777-999.0	Stockpiling discontinued	1	PC	
5	7.777-999.0	Stockpiling discontinued	1	PC	
6	7.777-999.0	Stockpiling discontinued	1	PC	
7	5.048-406.0	Clamp	1	PC	
8	7.777-999.0	Stockpiling discontinued	1	PC	
9	6.465-031.0	Connection 3/4	1	PC	

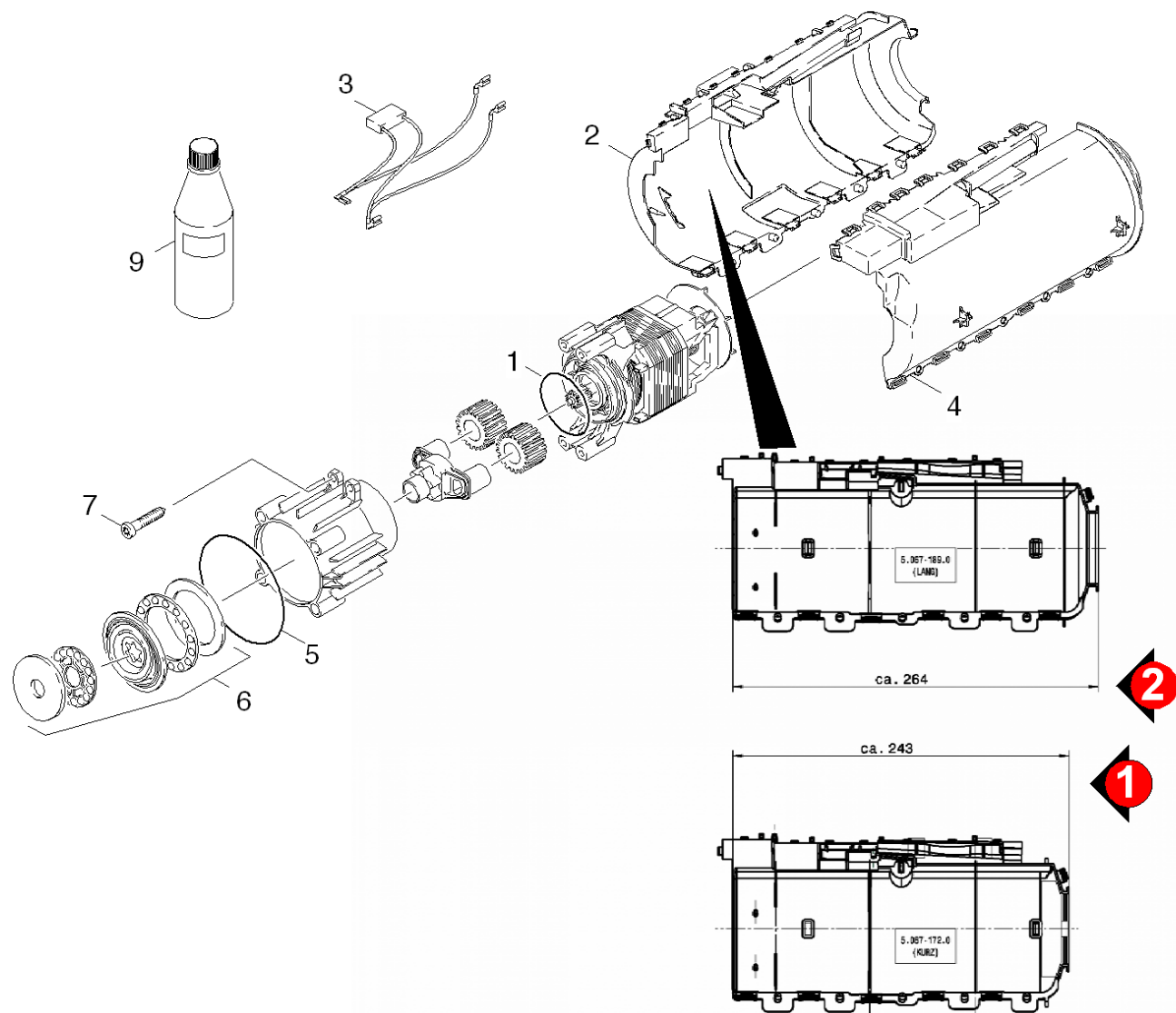


## 22 Thrust guidance

---

<b>POS</b>	<b>Article no.</b>	<b>Description</b>	<b>Quantity</b>	<b>Unit</b>
1	6.288-112.0	Engine oil 10W-60, 1L	1	PC
2	5.060-853.0	Thrust guidance PA6.6	1	PC
3	6.362-902.0	O-Ring 60x2,5 NBR 70	1	PC
4	6.365-393.0	Oil sealing 12x20x4/6	3	PC
5	2.884-859.0	Spare part set piston GSF	3	PC
7	6.303-497.0	Screw M8x35-8.8-A2E (IN6RD)	4	PC





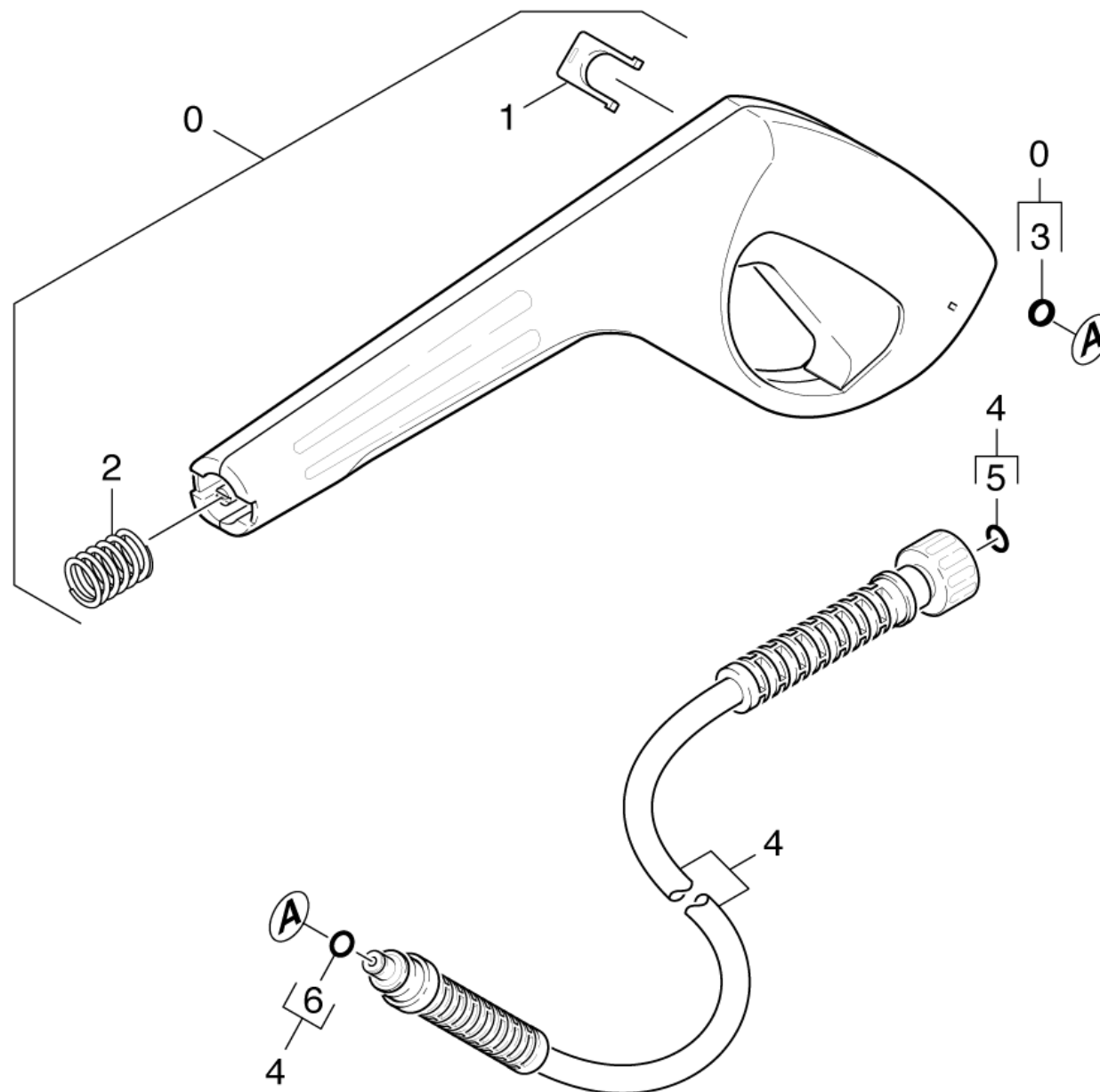
## 30 Motor

POS	Article no.	Description	Quantity	Unit	Remark
1	6.363-340.0	O-Ring 50 x 2,2 NBR 80	1	PC	
2	7.777-999.0	Stockpiling discontinued	1	PC	VERSION 2
2	7.777-999.0	Stockpiling discontinued	1	PC	VERSION 1
3	6.648-389.3	Cable with capacitor 220nF (225/280mm)	1	PC	
4	7.777-999.0	Stockpiling discontinued	1	PC	VERSION 2
4	7.777-999.0	Stockpiling discontinued	1	PC	VERSION 1
5	6.362-902.0	O-Ring 60x2,5 NBR 70	1	PC	
6	4.120-196.0	Wobble plate complete 5-parts 6°40'/4,32	1	PC	
7	6.303-260.0	Screw 5x26,4	4	PC	
9	6.288-112.0	Engine oil 10W-60, 1L	1	PC	

## 40 Accessories

---

<b>POS</b>	<b>Description</b>	<b>Quantity</b>	<b>Unit</b>
41	Hand trigger gun	1	PC
42	Hand trigger gun	1	PC
43	Jet pipe	1	PC
44	T 50	1	PC



## 41 Hand trigger gun

---

<b>POS</b>	<b>Article no.</b>	<b>Description</b>	<b>Quantity</b>	<b>Unit</b>
0	7.777-999.0	Stockpiling discontinued	1	PC
1	5.037-164.0	Clamp	1	PC
2	5.332-464.0	Pressure spring	1	PC
3	6.363-198.0	O-Ring seal 6x2 90 shore PUR	1	PC
4	2.643-910.0	HK 7,5 high pressure hose set+trigger gu	1	PC
5	2.880-990.0	Spare part set O-Ring 5x -Kaercher	1	PC
6	6.362-498.0	O-Ring seal 6,75x1,78 NBR 70	1	PC



4 HK 7,5 high pressure hose set+trigger gu (2.643-910.0)

---

<b>POS</b>	<b>Article no.</b>	<b>Description</b>	<b>Quantity</b>	<b>Unit</b>
1	2.642-889.0	G 180 Q Trigger gun Quick Connect	1	PC
2	2.641-721.0	H 9 Q high pressure hose Quick Connect	1	PC
3	4.470-041.0	High pressure quick-fitting pipe union A	1	PC





1 G 180 Q Trigger gun Quick Connect (2.642-889.0)

---

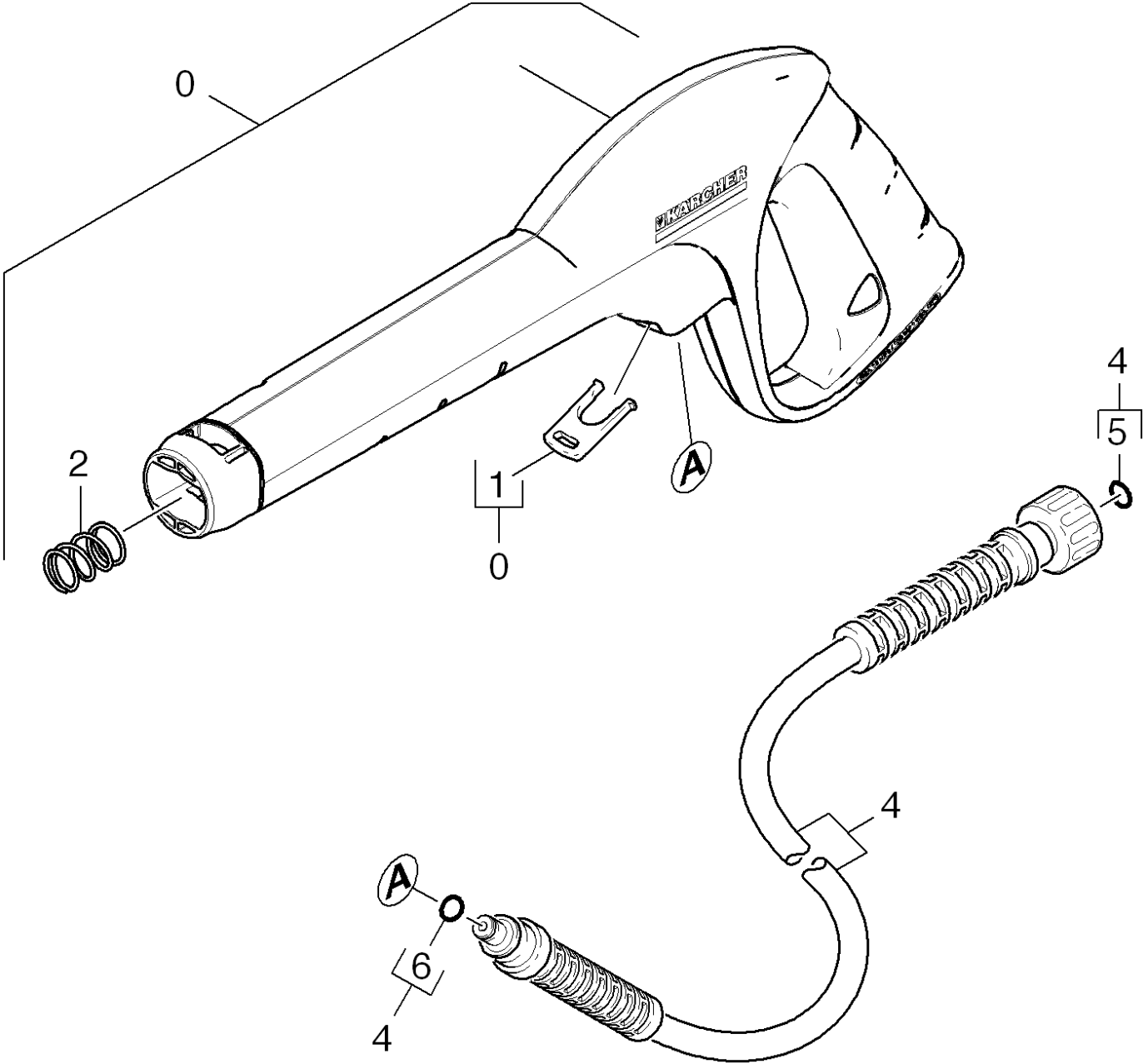
POS	Article no.	Description	Quantity	Unit
1	5.332-464.0	Pressure spring	1	PC



2 H 9 Q high pressure hose Quick Connect (2.641-721.0)

---

<b>POS</b>	<b>Article no.</b>	<b>Description</b>	<b>Quantity</b>	<b>Unit</b>
999	2.640-729.0	O-Ring seal set	1	PC



## 42 Hand trigger gun

---

POS	Article no.	Description	Quantity	Unit
0	2.641-959.0	G 160 pistol	1	PC
1	5.037-185.0	Clamp	1	PC
2	5.332-464.0	Pressure spring	1	PC
4	2.643-910.0	HK 7,5 high pressure hose set+trigger gu	1	PC
5	2.880-990.0	Spare part set O-Ring 5x -Kaercher	1	PC
6	6.362-498.0	O-Ring seal 6,75x1,78 NBR 70	1	PC



4 HK 7,5 high pressure hose set+trigger gu (2.643-910.0)

---

<b>POS</b>	<b>Article no.</b>	<b>Description</b>	<b>Quantity</b>	<b>Unit</b>
1	2.642-889.0	G 180 Q Trigger gun Quick Connect	1	PC
2	2.641-721.0	H 9 Q high pressure hose Quick Connect	1	PC
3	4.470-041.0	High pressure quick-fitting pipe union A	1	PC





1 G 180 Q Trigger gun Quick Connect (2.642-889.0)

---

<b>POS</b>	<b>Article no.</b>	<b>Description</b>	<b>Quantity</b>	<b>Unit</b>
1	5.332-464.0	Pressure spring	1	PC

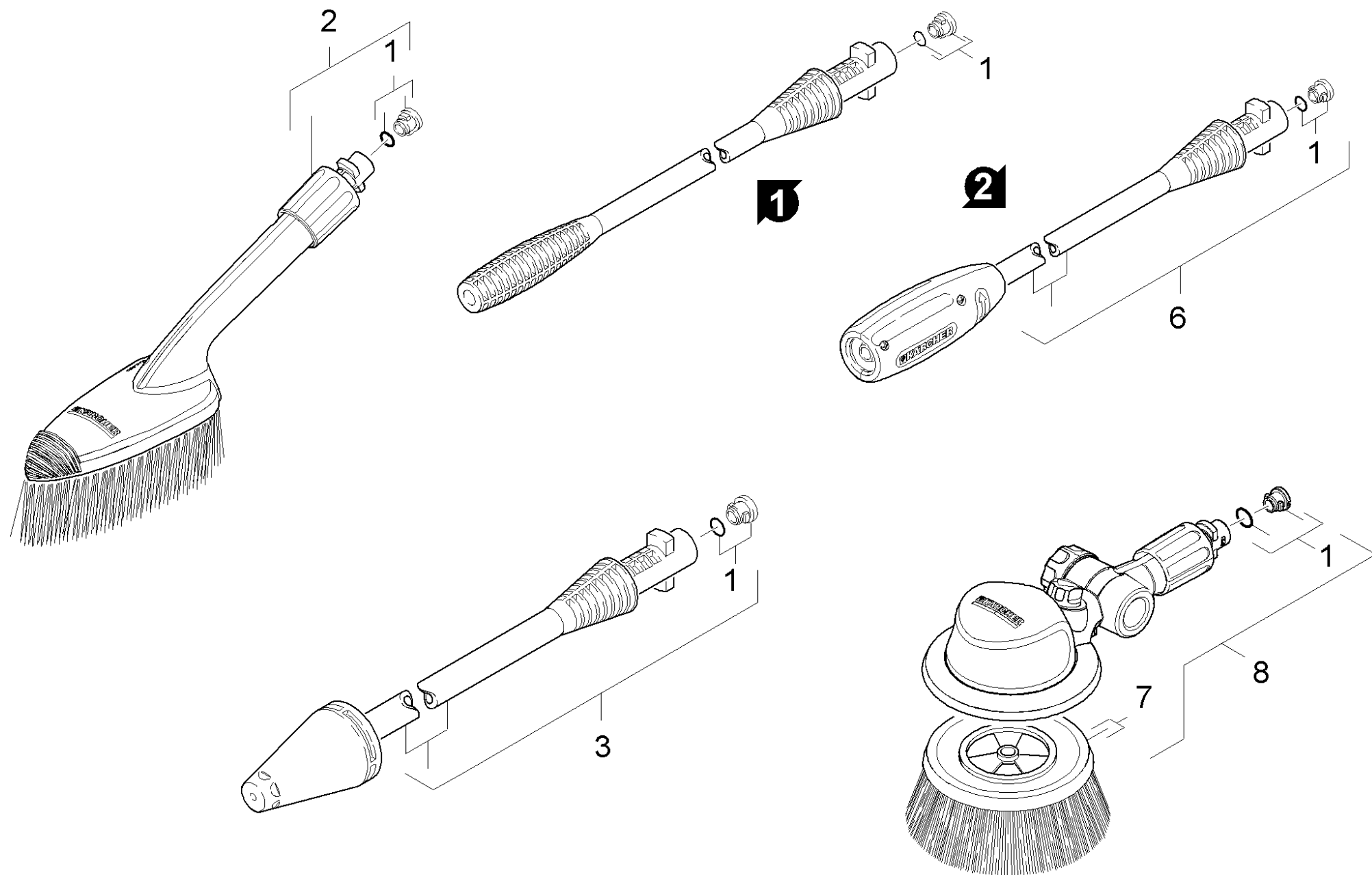
---



2 H 9 Q high pressure hose Quick Connect (2.641-721.0)

---

<b>POS</b>	<b>Article no.</b>	<b>Description</b>	<b>Quantity</b>	<b>Unit</b>
999	2.640-729.0	O-Ring seal set	1	PC



## 43 Jet pipe

---

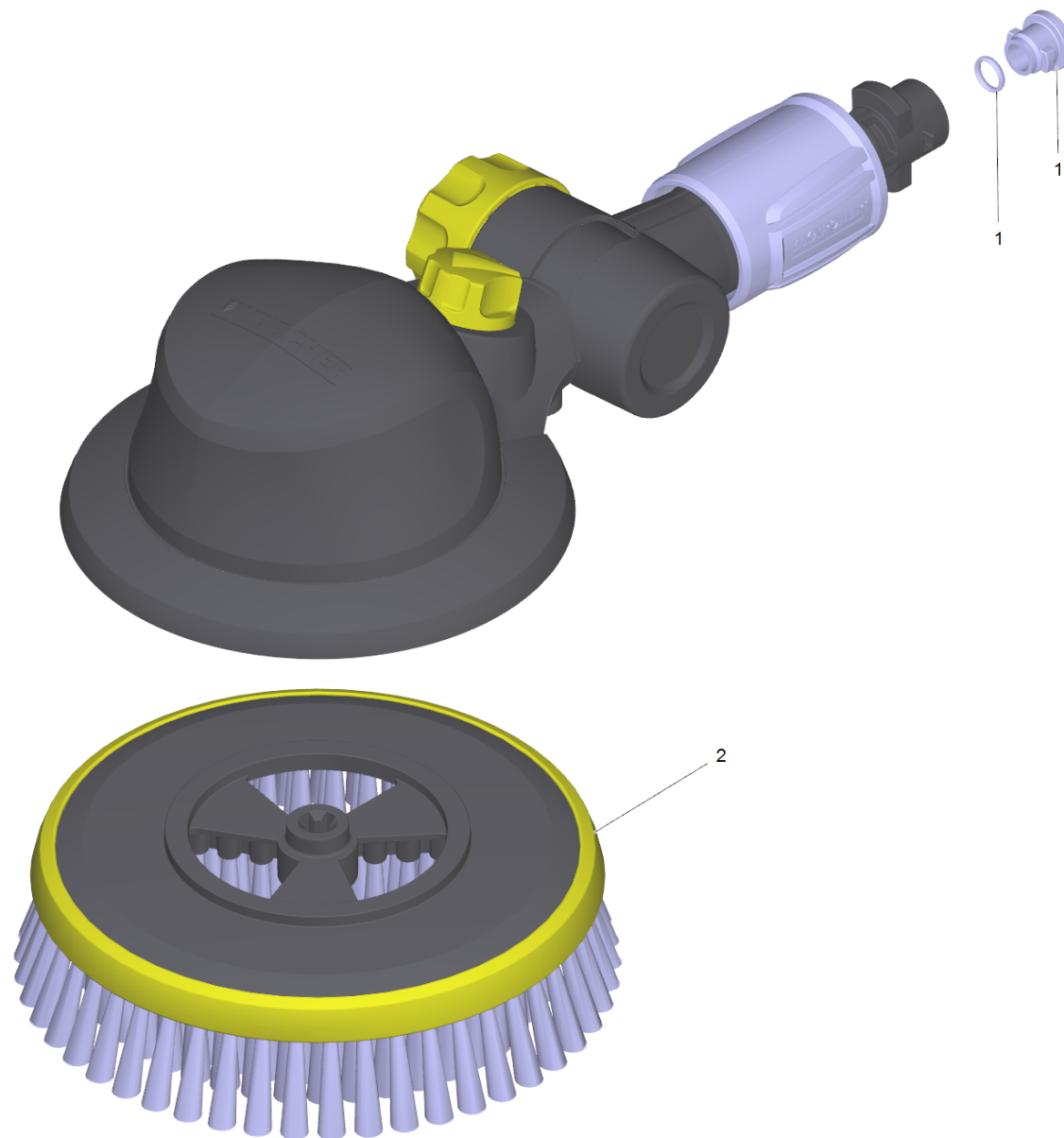
POS	Article no.	Description	Quantity	Unit
1	2.640-729.0	O-Ring seal set	1	PC
2	2.640-589.0	Brush lengthwise	1	PC
3	7.777-999.0	Stockpiling discontinued	1	PC
6	4.760-723.0	VPS K2 0287	1	PC
7	2.643-236.0	WB 100 washing brush	1	PC
8	5.762-331.0	Carrier brushes	1	PC



6 VPS K2 0287 (4.760-723.0)

---

POS	Article no.	Description	Quantity	Unit
1	2.640-729.0	O-Ring seal set	1	PC

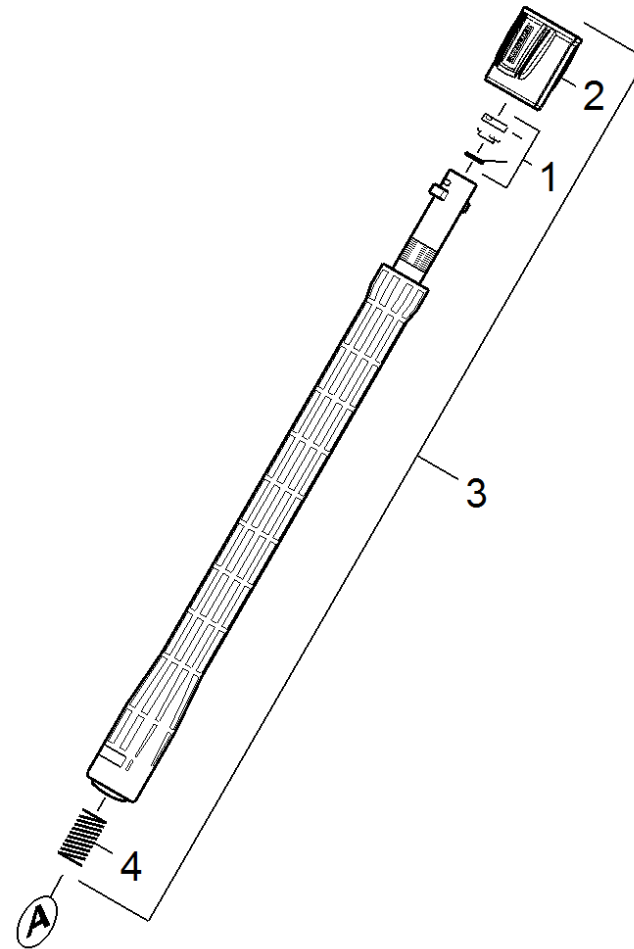
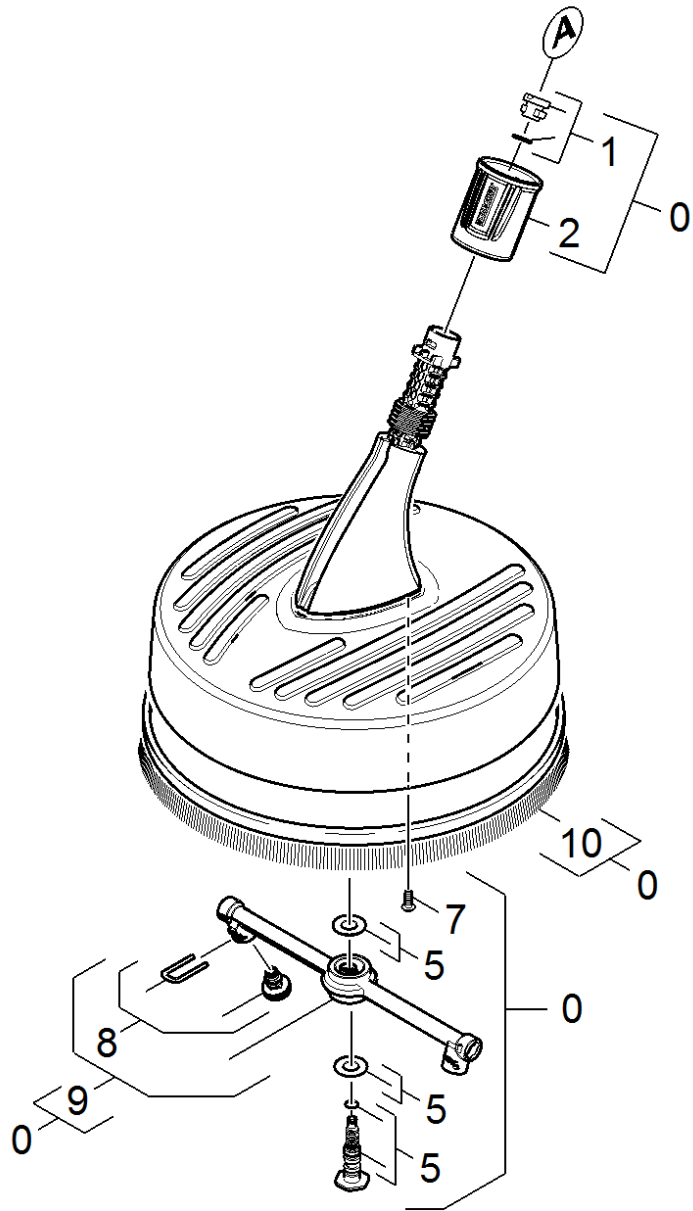




7 WB 100 washing brush (2.643-236.0)

---

<b>POS</b>	<b>Article no.</b>	<b>Description</b>	<b>Quantity</b>	<b>Unit</b>
1	2.640-729.0	O-Ring seal set	1	PC
2	5.762-331.0	Carrier brushes	1	PC



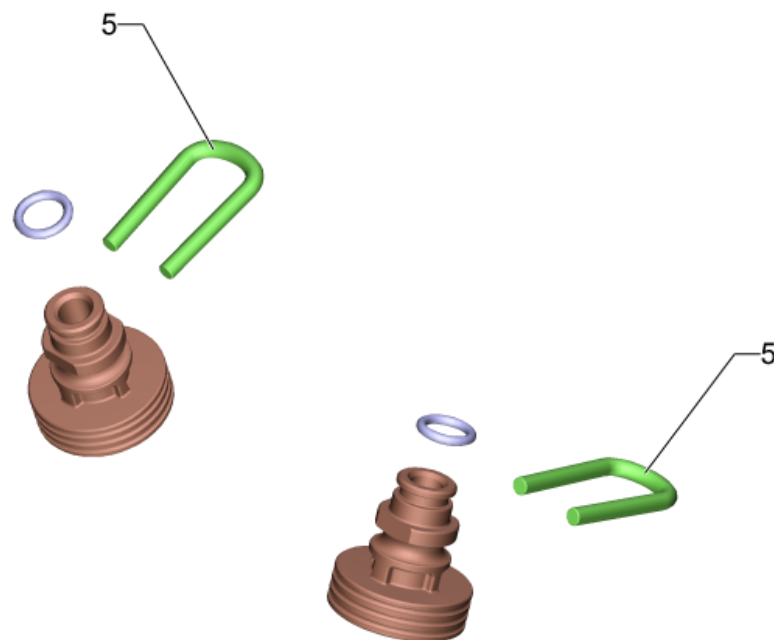
POS	Article no.	Description	Quantity	Unit
0	7.777-999.0	Stockpiling discontinued	1	PC
1	2.640-729.0	O-Ring seal set	2	PC
2	5.310-160.0	Nut Kaercher	2	PC
3	2.643-240.0	Single-step jet pipe extension	1	PC
4	5.332-464.0	Pressure spring	1	PC
5	2.883-994.0	Spare part set set of gaskets neutrally	1	PC
7	7.303-106.0	Screw 4x12 -10.9-R2R (IN6RD)	3	PC
8	2.643-338.0	Spare parts nozzles T-Racer	1	PC
9	2.884-530.0	Spare part set rotor T 50	1	PC
10	6.369-484.0	Strip brush complete	1	PC






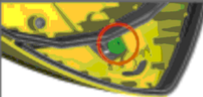




### 3 Single-step jet pipe extension (2.643-240.0)




---




<b>POS</b>	<b>Article no.</b>	<b>Description</b>	<b>Quantity</b>	<b>Unit</b>
3	2.640-729.0	O-Ring seal set	1	PC
8	5.332-464.0	Pressure spring	1	PC
10	5.310-160.0	Nut Kaercher	1	PC



8 Spare parts nozzles T-Racer (2.643-338.0)

T 50, T 70, T 80, T 100 T 150, T 200, T 250, T 300, T 400, T 450, T 550	K 2 - K 5		
	K 6 - K 7		
T 400, T 450 T 550			
T 200, T 250	K 6 - K 7		
T 350 Gas			

	K 3 - K 5	
	K 6 - K 7	

	K 2	
	K 3 - K 5	

8 Spare parts nozzles T-Racer (2.643-338.0)

POS	Article no.	Description	Quantity	Unit	Remark	Foot note text
1	7.777-999.0	Stockpiling discontinued	1	PC	<13 MPa (<130 bar)	GREY
	<b>Item text1:</b> 015					
2	7.777-999.0	Stockpiling discontinued	1	PC	13 MPa (130 bar) - 16 MPa (160 bar)	YELLOW
	<b>Item text1:</b> 020					
3		Nozzle complete 15027	1	PC		BLACK
	<b>Item text1:</b> 027					
4	4.764-190.0	Nozzle kpl. 75047	1	PC		GREEN
	<b>Item text1:</b> 047					
5	5.037-151.0	Clamp	2	PC		