

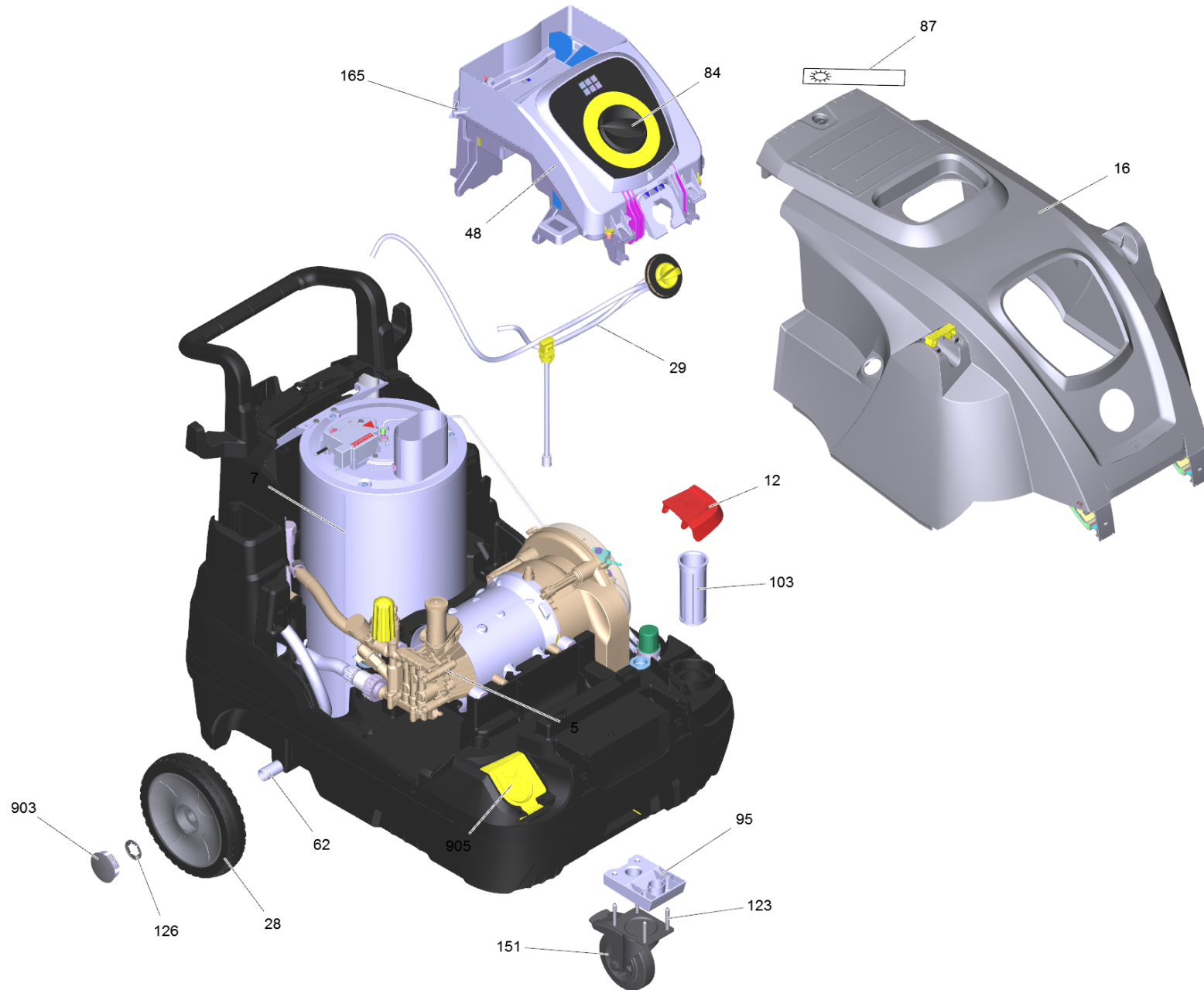
Spare parts list HDS 6/14-C (5.974-080.0)

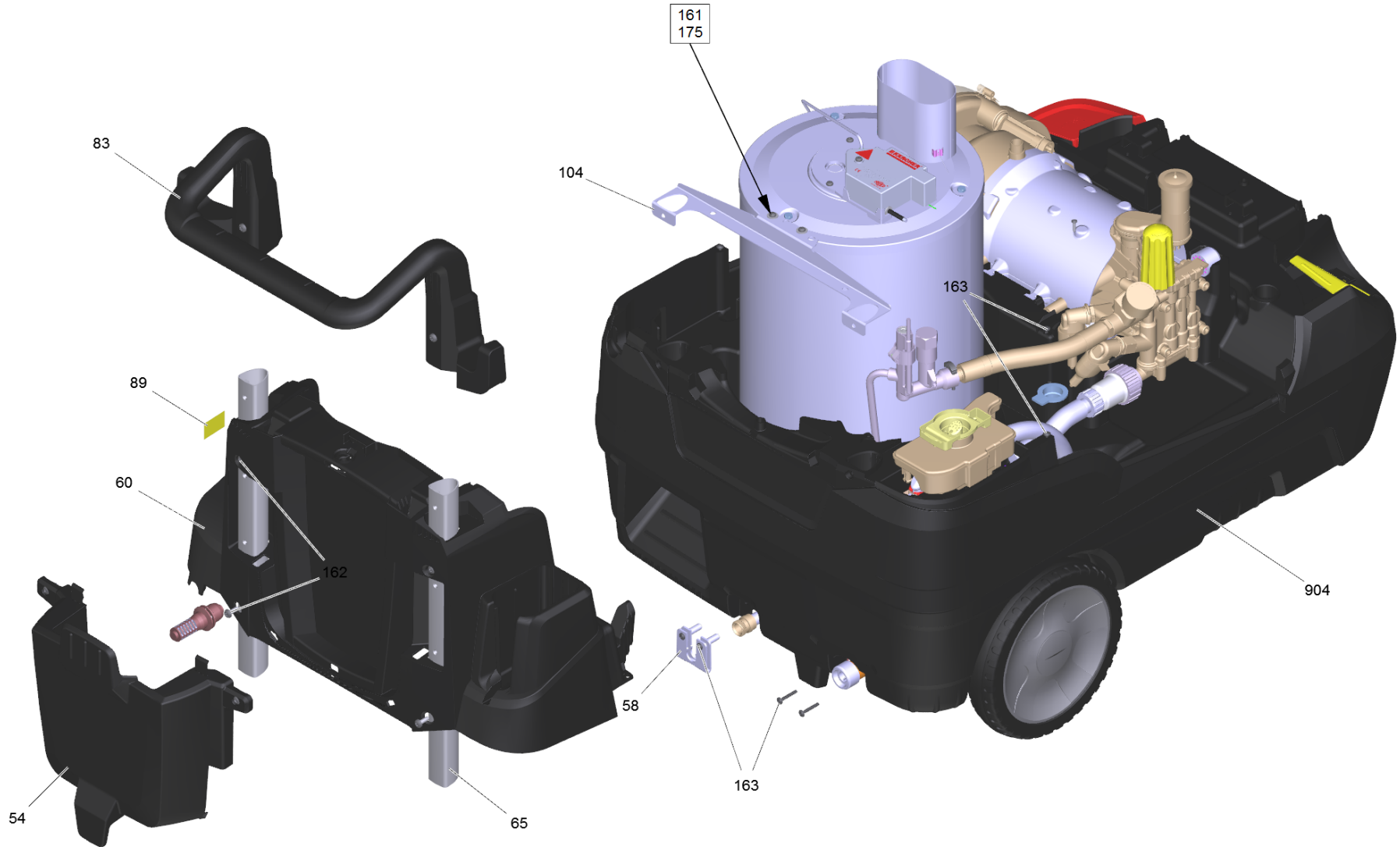
Professional \ High pressure cleaner hotwater \ Electric motor \ HDS 6/14 C *EU \ Spare parts list HDS 6/14-C



Spare parts list HDS 6/14-C (5.974-080.0)

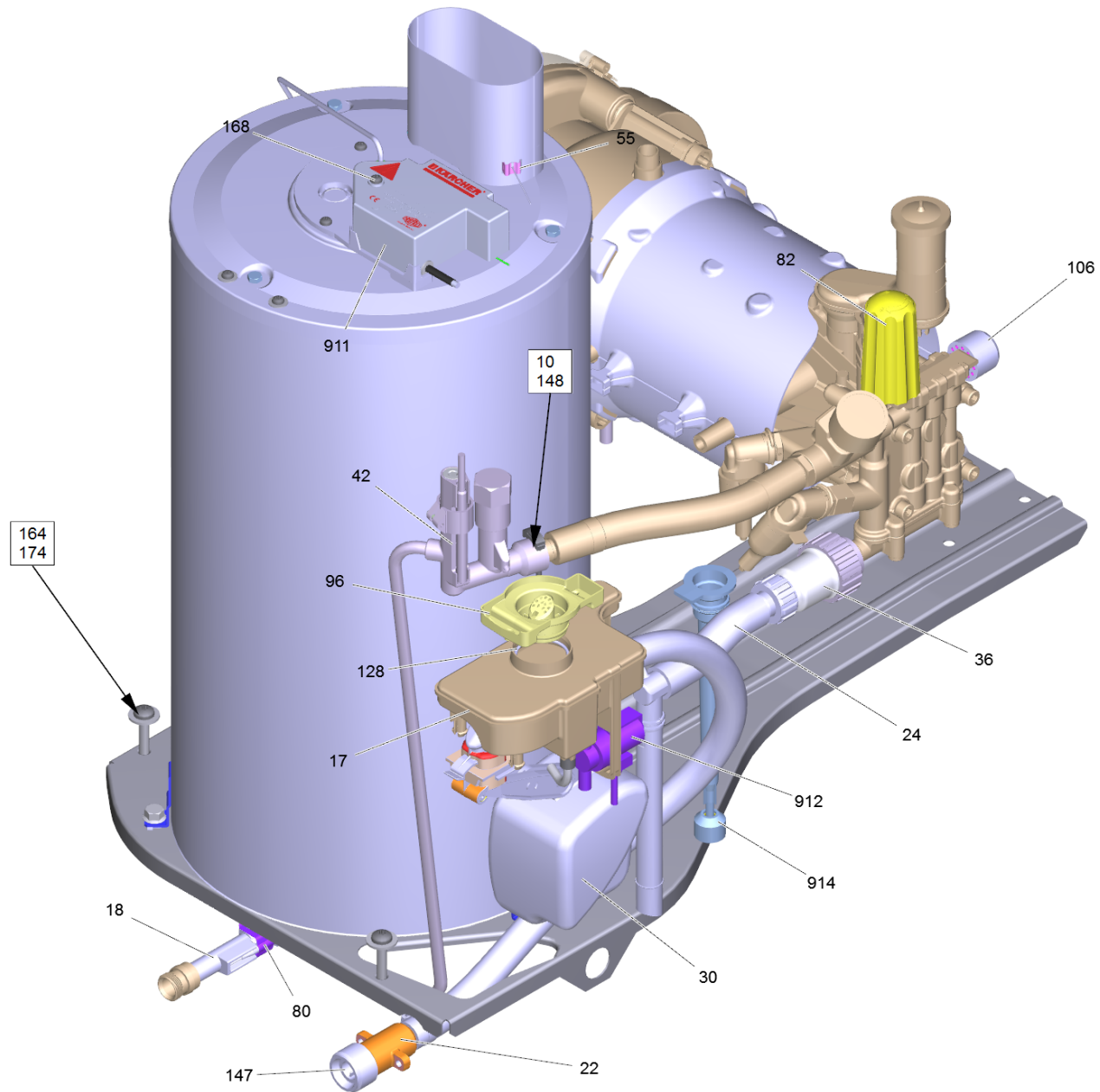
Professional \ High pressure cleaner hotwater \ Electric motor \ HDS 6/14 C *EU \ Spare parts list HDS 6/14-C

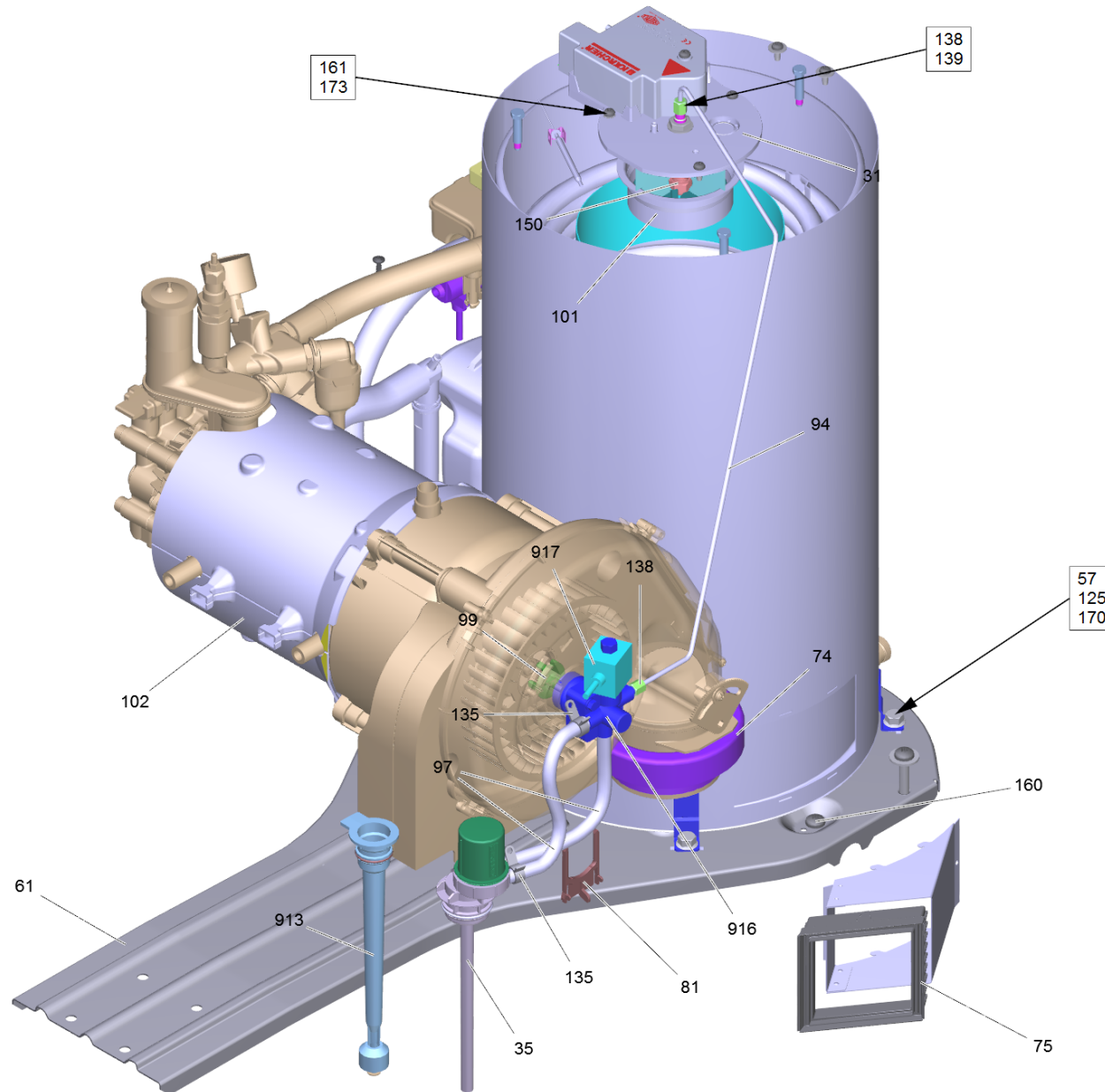




Spare parts list HDS 6/14-C (5.974-080.0)

Professional \ High pressure cleaner hotwater \ Electric motor \ HDS 6/14 C *EU \ Spare parts list HDS 6/14-C





Spare parts list HDS 6/14-C (5.974-080.0)

Professional \ High pressure cleaner hotwater \ Electric motor \ HDS 6/14 C *EU \ Spare parts list HDS 6/14-C

KÄRCHER

POS	Article no.	Description	Quantity	Unit
102	5.692-117.0	Air circulation extension	2	PC
62	5.105-651.0	Axle	1	PC
65	5.107-295.0	Bar handhold	2	PC
904	4.051-202.0	Base frame complete only for replacement	1	PC
61	5.051-199.0	Base plate	1	PC
7		Boiler	1	PC
104	5.762-420.0	Bracket plate	1	PC
31		Burner complete	1	PC
150	6.415-664.0	Burner nozzle	1	PC
125	6.310-081.0	Cage nut M 8	3	PC
151	6.435-826.0	Castor D 125	1	PC
81	5.263-099.0	Clamp	1	PC
74	5.178-040.0	Collar air circulation	1	PC
94	5.423-417.0	Conduit fuel	1	PC
96	5.425-495.0	CONNECTION PIECE DGT	1	PC
99	5.471-097.0	Coupler fuel pump	1	PC
905	4.064-029.0	Cover complete only for replacement	1	PC
12	4.064-021.0	Cover fuel complete	1	PC
139	6.389-263.0	Cutting ring d.4	2	PC
16		Device cover complete	1	PC
908	4.118-005.0	EASY!Force Advanced	1	PC
48		Electric control box complete	1	PC
103	5.731-039.0	Filter	1	PC
35	4.730-163.0	Filter complete fuel	1	PC
95	5.424-159.0	Fixing castor	1	PC
101	5.664-231.0	Flame tube	1	PC
30		Float valve	1	PC
916	6.473-566.0	Fuel pump only for replacement	1	PC
82	5.322-103.0	Handle	1	PC
84	5.324-136.0	Handle	1	PC
170	7.304-051.0	Hexagonal head screw M 8x16 -8.8-P2R EN 1665	3	PC
57	5.044-420.0	Holder	3	PC
58	5.043-076.0	Holder high-pressure outlet	1	PC

Spare parts list HDS 6/14-C (5.974-080.0)

Professional \ High pressure cleaner hotwater \ Electric motor \ HDS 6/14 C *EU \ Spare parts list HDS 6/14-C

KÄRCHER

POS	Article no.	Description	Quantity	Unit
55	5.034-834.0	Holder probe	1	PC
10	4.037-013.0	Hook	1	PC
915	6.110-035.0	Hose assembly TR rotatable DN6 25MPa 10m	1	PC
135	6.388-559.0	Hose clip	2	PC
22		Hose intake	1	PC
24		Hose pump	1	PC
911	4.622-036.0	Ignition transformer only for replacemen	1	PC
906	4.112-000.0	Jet pipe TR 1050 mm	1	PC
87	5.383-342.0	Label fuel oil einfuellen	1	PC
914	4.747-111.0	Level probe cleaning agents only for rep	1	PC
913	4.747-110.0	Level probe fuel only for replacement	1	PC
126	6.343-162.0	Lock washer -25	2	PC
18	4.422-126.0	Manifold complete high-pressure outlet	1	PC
5		Motor pump	1	PC
60	5.050-912.0	Moulded part rear panel	1	PC
128	6.362-377.0	O-Ring seal 38,0 X 2,0-NBR 70	1	PC
97		Piece of tube	2	PC
901	2.113-005.0	Power nozzle TR 25036	1	PC
909	4.118-007.0	Rotary controller TR 270L	1	PC
106	5.767-005.0	Rubber buffer	4	PC
42		Safety system	1	PC
165	7.303-205.0	Screw 4x16-St-10.9-R2R (K-In6Rd)	2	PC
163	7.303-086.0	Screw 5x30 -10.9-R2R (K-In6Rd)	8	PC
123	7.303-275.0	Screw 8x50-10.9-A3E (In6Rd)	4	PC
161	6.303-192.0	Screw M5x12 TX TAPTITE2000	5	PC
168	7.303-240.0	Screw M5x40-ST-A2E (IN6RD)	1	PC
162	7.303-047.0	Screw M6x16 -St-R3R (In6Rd)	4	PC
160	7.303-067.0	Screw M8x16 -St-P2R (In6Rd)	1	PC
164	7.303-147.0	Screw M8x50-St-A3E (In6Rd)	3	PC
75	5.195-319.0	Seal air circulation	1	PC
52		Set mounting parts	1	PC
903	2.889-086.0	Set wheel cap	1	PC
83	5.321-996.0	Sliding handle	1	PC

Spare parts list HDS 6/14-C (5.974-080.0)

Professional \ High pressure cleaner hotwater \ Electric motor \ HDS 6/14 C *EU \ Spare parts list HDS 6/14-C

KÄRCHER

POS	Article no.	Description	Quantity	Unit
917	6.473-567.0	Solenoid valve complete only for replace	1	PC
912	4.686-022.0	Solenoid valve DGT only for replacement	1	PC
902	2.114-000.0	Steam nozzle TR 40040	1	PC
147	6.414-141.0	Strainer	1	PC
148	6.414-566.0	Strainer WMS	1	PC
17	4.070-732.3	Tank complete for replacement	1	PC
80	5.263-064.0	Tensioning part	1	PC
54	5.033-725.0	Tool bag	1	PC
173	7.312-172.0	Toothed lock washer A5,3-FSt-A3E DIN 6797	1	PC
138	6.389-262.0	Union nut A 4-LL	2	PC
29		Valve cleaning agents complete	1	PC
89	5.387-620.0	Warning sign new	1	PC
175	7.312-278.0	Washer 5-200HV-A2E ISO7093-1	2	PC
174	7.312-277.0	Washer 8-200HV-A2E ISO 7093-1	3	PC
36	4.730-160.0	Water filter complete	1	PC
28	4.515-343.0	Wheel complete	2	PC