

Spare parts list

(1.246-101.0) BR 75/140 R Eco Bp *EU

Table of contents

| | |
|--|----|
| BR 75/140 R Eco Bp *EU (1.246-101.0) | 4 |
| 33 Spare parts list BR-BD 75/90-140 (5.958-942.0) | 5 |
| 10 Base frame | 6 |
| 11 Base frame | 7 |
| 12 Battery | 10 |
| 13 Electronic control | 12 |
| 2 Key switch (6.630-106.0) | 14 |
| 14 Water filling system battery | 16 |
| 20 Waste water tank | 18 |
| 21 Waste water tank | 19 |
| 22 Suction hose | 21 |
| 23 Turbine | 23 |
| 30 Water | 26 |
| 31 Valve | 27 |
| 32 Water filter | 30 |
| 40 Steering | 32 |
| 12 Wheel drive motor (6.613-314.0) | 34 |
| 9004 Spare part set bearing (4.641-045.0) | 36 |
| 39 Spare part set bearing (4.641-045.0) | 37 |
| 50 Suction bar | 38 |
| 51 Suction beam retraction | 39 |
| 52 Suction bar | 41 |
| 8 Suction bar 940AB (4.777-302.0) | 44 |
| 600 Spare parts list suction bar 940AB (5.971-949.0) | 45 |
| 10 Suction bar straight 940mm | 46 |
| 16 Add-on kit support wheels suction bar (2.639-561.0) | 48 |
| 1 Spare parts list support wheels (0.082-417.0) | 49 |
| 10 Support wheels | 50 |
| 21 Add-on kit support wheels suction bar (2.639-561.0) | 52 |
| 1 Spare parts list support wheels (0.082-417.0) | 53 |
| 10 Support wheels | 54 |
| 53 Suction bar | 56 |
| 8 Suction bar 940AB (4.777-302.0) | 58 |
| 600 Spare parts list suction bar 940AB (5.971-949.0) | 59 |
| 10 Suction bar straight 940mm | 60 |
| 16 Add-on kit support wheels suction bar (2.639-561.0) | 62 |
| 1 Spare parts list support wheels (0.082-417.0) | 63 |
| 10 Support wheels | 64 |

Table of contents

| | |
|--|-----|
| 16 Add-on kit support wheels suction bar (2.639-561.0) | 66 |
| 1 Spare parts list support wheels (0.082-417.0) | 67 |
| 10 Support wheels | 68 |
| 54 Suction bar | 70 |
| 2 Suction bar curved 1060mm (4.777-413.0) | 72 |
| 10 Suction bar pre-assembled curved 1060mm | 74 |
| 9000 Conversion kit support roller deep (4.035-281.0) | 76 |
| 9000 Roller suction bar (4.035-339.0) | 78 |
| 8 Suction bar straight 1060mm (4.777-403.0) | 80 |
| 10 Suction bar pre-assembled straight 1060m | 82 |
| 9000 Conversion kit support roller deep (4.035-281.0) | 84 |
| 9000 Roller suction bar (4.035-339.0) | 86 |
| 19 Add-on kit rollers suction bar (2.640-023.0) | 88 |
| 19 Roller suction bar (4.035-339.0) | 90 |
| 60 Power brush | 92 |
| 61 Power brush BD | 93 |
| 62 Holder right BD | 96 |
| 63 Holder left BD | 98 |
| 64 Transmission BD | 100 |
| 65 Lifting device | 102 |
| 66 Power brush BR | 104 |
| 70 Suction hose | 109 |
| Suction hose accessories (4.444-015.0) | 111 |
| 80 Roll pad | 112 |
| 90 Service module CAN A9 (2.816-218.0) | 114 |

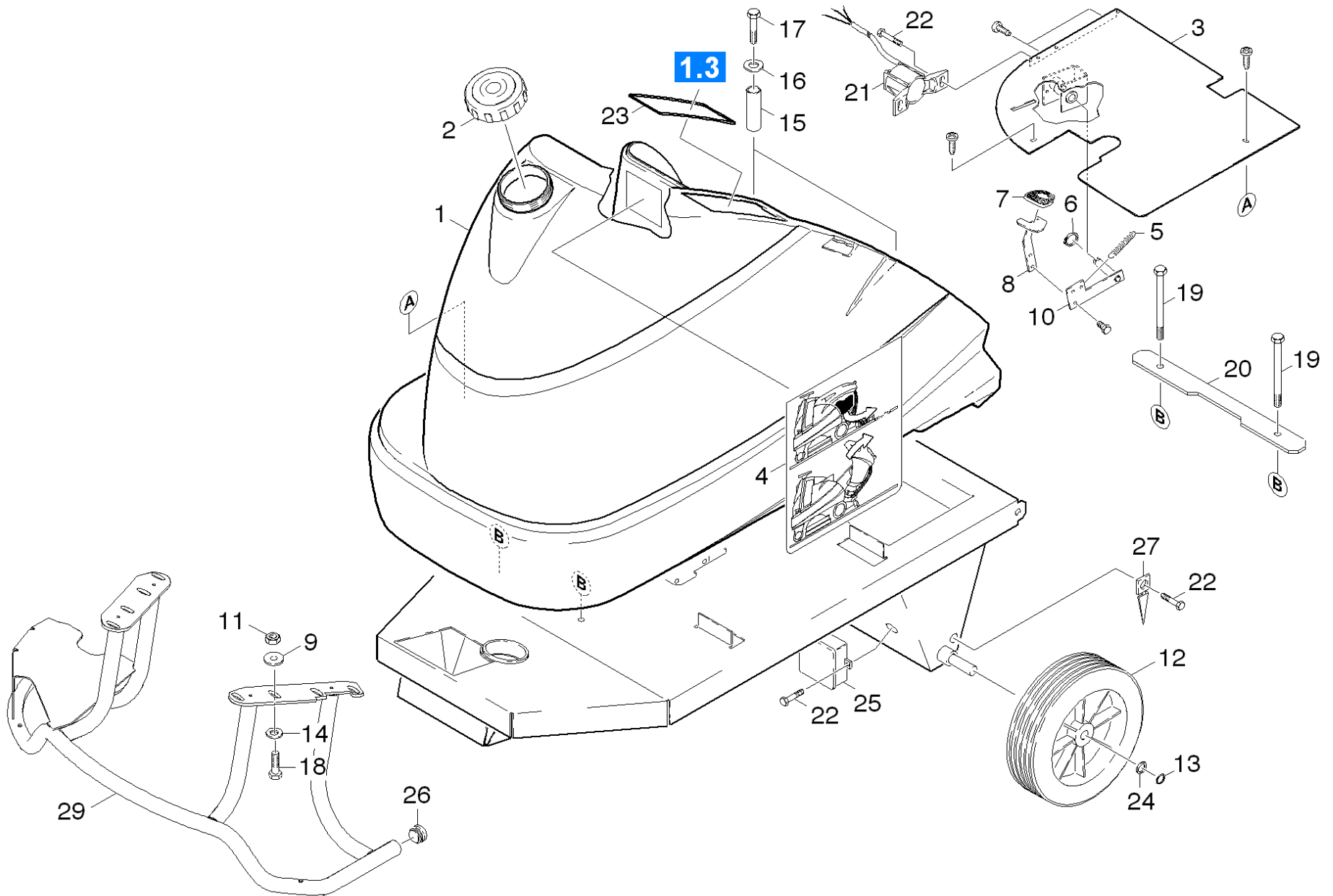
| POS | Article no. | Description | Quantity | Unit |
|-----|-----------------------------|----------------------------------|----------|------|
| 150 | 4.951-283.0 | Documentation BR/BD 75-90/140 R | 1.000 | ST |
| | Item text2: 12461010 | | | |
| 33 | 5.958-942.0 | Spare parts list BR-BD 75/90-140 | 1.000 | ST |
| | Item text2: 12461010 | | | |

33 Spare parts list BR-BD 75/90-140 (5.958-942.0)

| POS | Article no. | Description | Quantity | Unit |
|-----|-------------|-----------------------|----------|------|
| 10 | | Base frame | 1.000 | ST |
| 60 | | Power brush | 1.000 | ST |
| 80 | | Roll pad | 1.000 | ST |
| 90 | 2.816-218.0 | Service module CAN A9 | 1.000 | ST |
| 40 | | Steering | 1.000 | ST |
| 50 | | Suction bar | 1.000 | ST |
| 70 | | Suction hose | 1.000 | ST |
| 20 | | Waste water tank | 1.000 | ST |
| 30 | | Water | 1.000 | ST |

10 Base frame

| POS | Description | Quantity | Unit |
|------------|------------------------------|-----------------|-------------|
| 11 | Base frame | 1.000 | ST |
| 12 | Battery | 1.000 | ST |
| 13 | Electronic control | 1.000 | ST |
| 14 | Water filling system battery | 1.000 | ST |

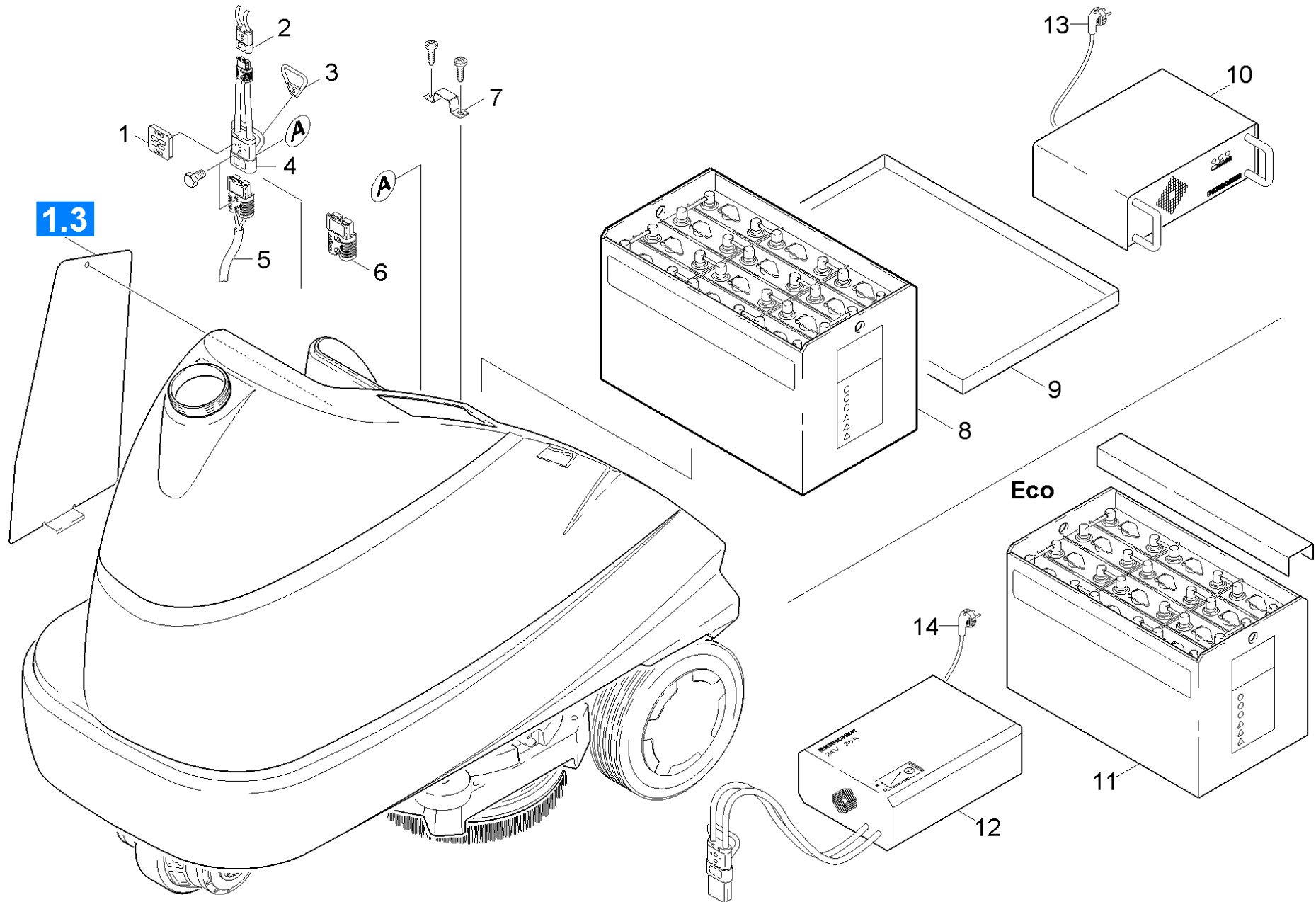


11 Base frame

| POS | Article no. | Description | Quantity | Unit | Serial number from | Serial number to | Remark | Foot note text |
|-----|-------------|---|----------|------|--------------------|------------------|--------------|-----------------|
| 3 | 4.033-019.0 | Bottom plate complete | 1.000 | ST | | | | |
| 7 | 6.321-046.0 | Coating pedal | 1.000 | ST | | | | |
| 2 | 4.392-023.0 | Cover complete | 1.000 | ST | | | | |
| 5 | 6.330-190.0 | Extension spring | 1.000 | ST | | | | |
| 27 | 6.600-265.0 | Grounding tongue | 1.000 | ST | | | | |
| 18 | 7.304-399.0 | Hexagonal head screw M 8x25-8.8-A2E ISO | 8.000 | ST | | | | |
| 17 | 7.304-504.0 | Hexagonal head screw M8x50-A2-70 ISO 40 | 2.000 | ST | | | | |
| 19 | 7.304-023.0 | Hexagonal head screw M8x130-A4-70 ISO 4 | 2.000 | ST | | | | |
| 11 | 7.311-004.0 | Hexagon nut M8 -8-A3E ISO 4032 | 8.000 | ST | | | | |
| 25 | 6.651-364.0 | Junction box | 1.000 | ST | | | | |
| 4 | 5.385-078.0 | Label tank kippen | 1.000 | ST | | | | |
| 10 | 4.481-301.0 | Lever pedal complete | 1.000 | ST | | | | |
| 6 | 7.343-005.0 | Locking ring 16x1-FST-PHR DIN 471 | 1.000 | ST | | | | |
| 13 | 7.343-008.0 | Locking ring 25x1,2-St-vz DIN 471 | 2.000 | ST | | | | |
| 20 | 5.008-999.0 | Plate fixing fresh water tank | 1.000 | ST | | | | |
| 8 | 5.011-883.0 | Plate pedal | 1.000 | ST | | | | |
| 26 | 6.385-783.0 | Plug | 2.000 | ST | | | | |
| 29 | 4.040-503.0 | Ram protection complete | 1.000 | ST | | | BR/BD 75/140 | |
| 29 | 4.040-366.0 | Ram protection complete | 1.000 | ST | | | BR/BD 90/140 | |
| 22 | 7.303-039.0 | Screw M5x16 -St-P2R (In6Rd) | 4.000 | ST | | | | |
| 23 | 6.273-196.0 | Seal string cellular | 1.000 | M | | | | TO ORDER AS CUT |

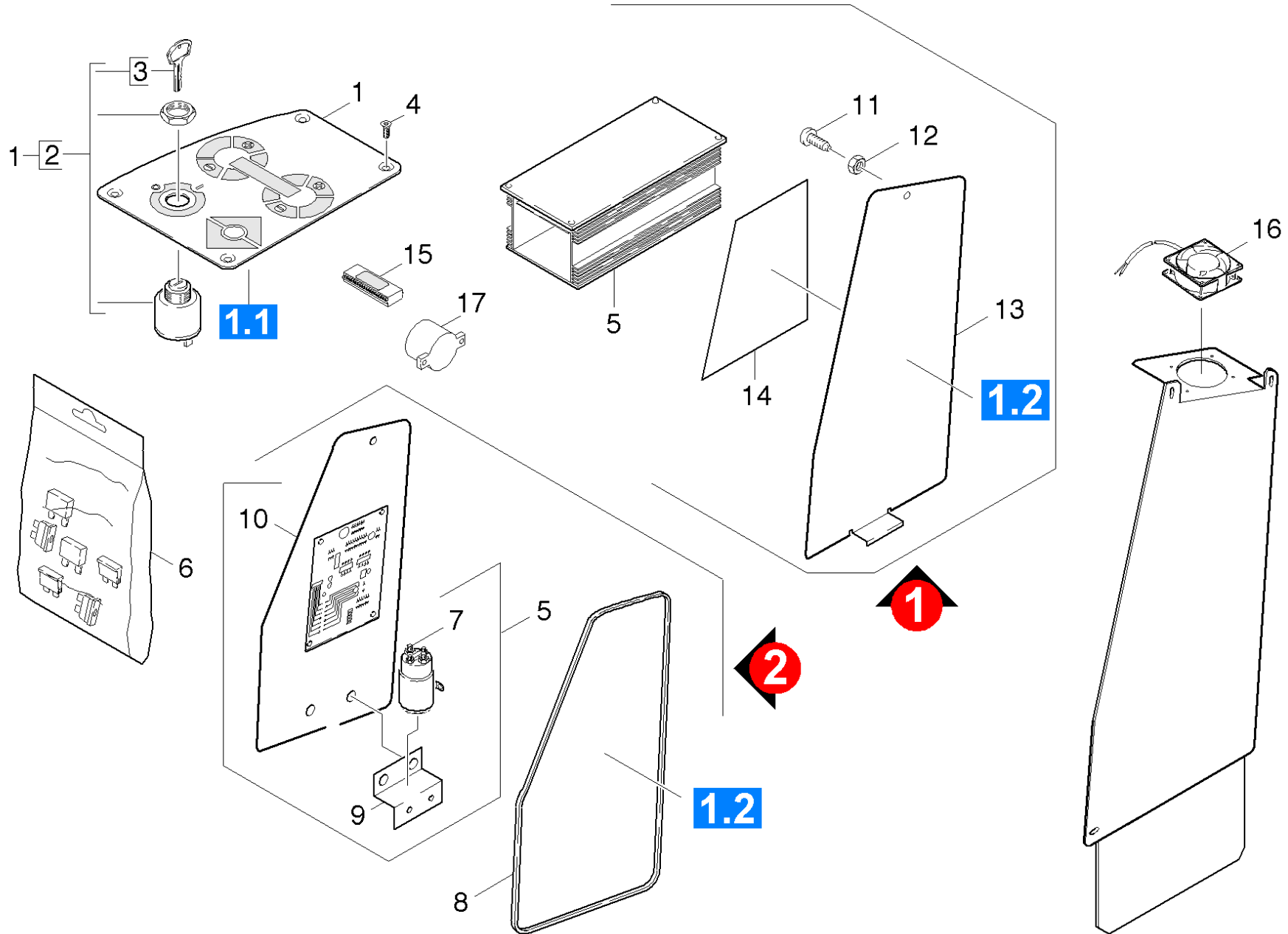
11 Base frame

| POS | Article no. | Description | Quantity | Unit | Serial number from | Serial number to | Remark | Foot note text |
|-----|-------------|--|----------|------|--------------------|------------------|--------|----------------|
| | | rubber | | | | | | GOODS |
| 24 | 7.343-215.0 | Shim ring 25x36x1,0-ST2K50 DIN 988 | 2.000 | ST | | | | |
| 15 | 5.110-511.0 | Sleeve | 2.000 | ST | | | | |
| 21 | 6.600-217.0 | Tachograph -BR/BD TRIKE | 1.000 | ST | | 10799 | | |
| 21 | 6.600-534.0 | Tachograph sensor B | 1.000 | ST | 10800 | | | |
| 1 | 4.071-154.0 | Tank replacement | 1.000 | ST | | | | |
| 16 | 7.312-261.0 | Washer 8 -100HV- A3E ISO 7094 | 2.000 | ST | | | | |
| 9 | 7.312-289.0 | Washer 8 -A2 ISO 7093-1 | 8.000 | ST | | | | |
| 14 | 7.312-017.0 | Washer 8-A2 ISO 7089 | 8.000 | ST | | | | |
| 12 | 6.435-738.0 | Wheel oil resistant D300 | 2.000 | ST | | | | |



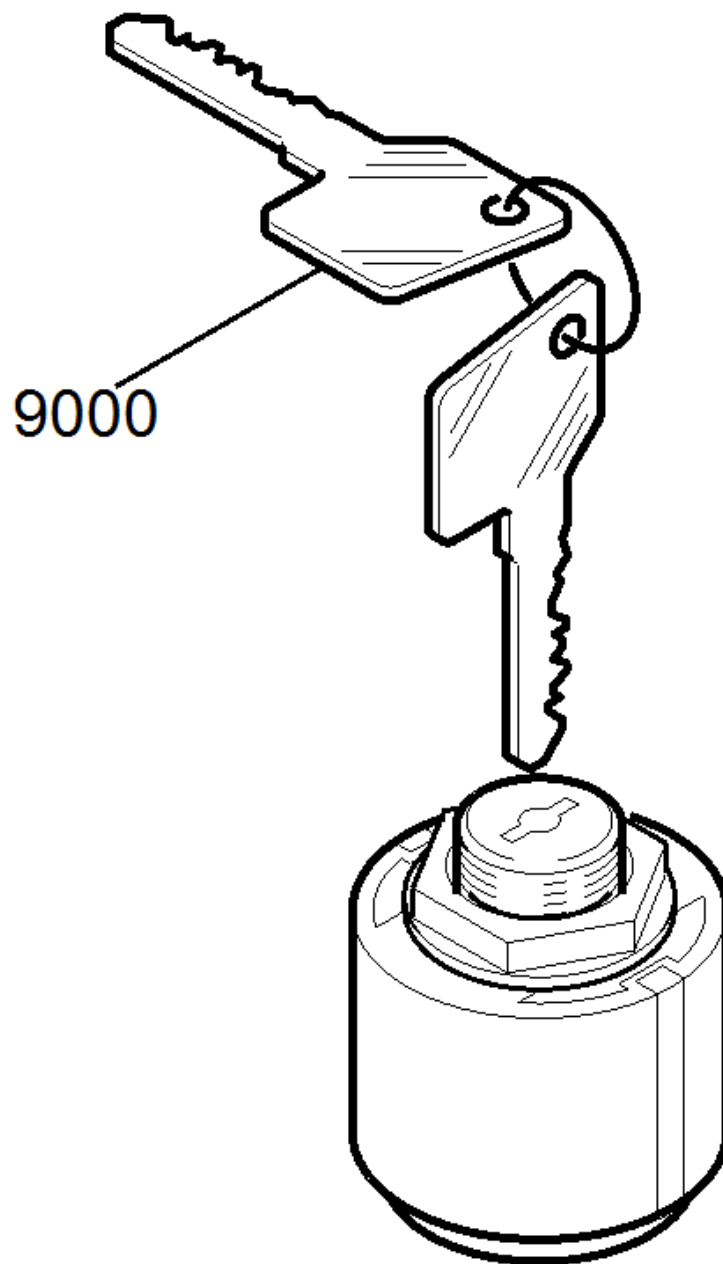
12 Battery

| POS | Article no. | Description | Quantity | Unit | Serial number from | Serial number to | Remark | Foot note text |
|-----|--|--------------------------------------|----------|------|--------------------|------------------|-------------------------|----------------|
| 4 | 6.648-924.0 | Adapter cable | 1.000 | ST | | | | LOCKING PISTON |
| 11 | 6.654-441.0 | Battery 24V 240Ah Exide | 1.000 | ST | | | | |
| 11 | 6.654-112.0 | Battery 24V 240Ah Hoppecke | 1.000 | ST | | | /"Eco" | |
| 10 | 6.654-139.0 | Battery charger 24V/50A | 1.000 | ST | | | | |
| 12 | 6.654-306.0 | Battery charger 24V 36A | 1.000 | ST | | | /"Eco" | |
| 10 | 6.654-181.0 | Battery charger BR BD 75-90/140 R | 1.000 | ST | | | 90-240V | |
| | Item text1: //1.246-301/ -401.0 | | | | | | | |
| 8 | 6.654-052.0 | Battery kit 24V 400AH | 1.000 | ST | | | | |
| 2 | 6.648-748.0 | Connection cable complete | 1.000 | ST | | | | |
| 3 | 6.321-152.0 | Hand grip connection cable | 1.000 | ST | | | | |
| 7 | 5.007-339.0 | Plate cable battery | 1.000 | ST | | | | |
| 1 | 6.277-647.0 | Plate coding only for replacement | 1.000 | ST | | | | |
| 6 | 6.648-929.0 | Plug two-pole SBE 160 | 1.000 | ST | | | 160 A | |
| 14 | 6.650-117.0 | Power cable only for replacement | 1.000 | ST | | | Pos.12 / 6.654-193.0 | |
| 13 | 6.650-115.0 | Power cable only for replacement | 1.000 | ST | | | Pos.10 / 6.654-139.0 | |
| 5 | 6.648-956.0 | Supply cable | 1.000 | ST | 10800 | | | |
| 5 | 6.648-747.0 | Supply cable | 1.000 | ST | | 10799 | | |
| 9 | 5.039-053.0 | Tub tray battery | 1.000 | ST | | | | |
| | Item text1: //1.246-302/ -402/ -502.0 | | | | | | | |



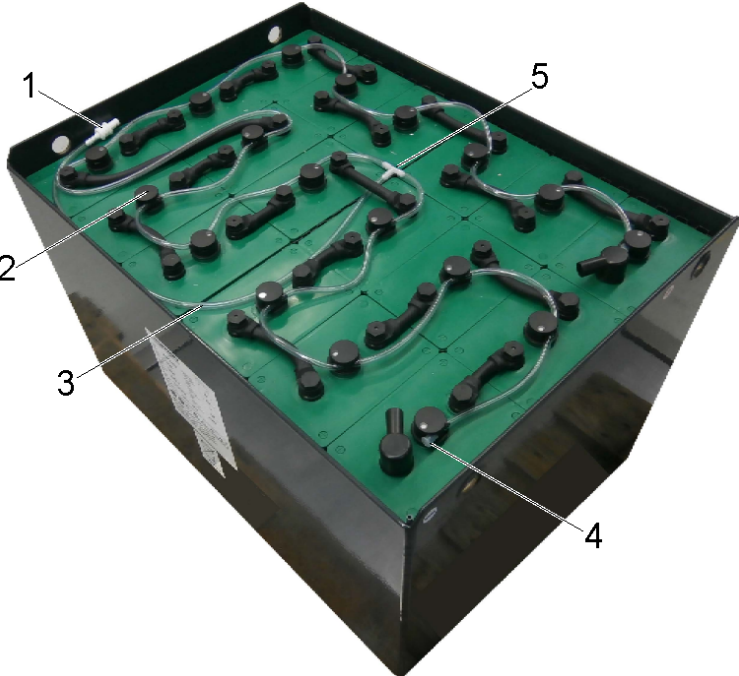
13 Electronic control

| POS | Article no. | Description | Quantity | Unit | Serial number from | Serial number to | Foot note text |
|-----|-------------|-------------------------------------|----------|------|--------------------|------------------|-----------------------|
| 16 | 6.612-839.0 | Blower axial 24V, 2,0W | 1.000 | ST | | | |
| 17 | 6.630-158.0 | Buzzer | 1.000 | ST | | | |
| 1 | 4.841-130.0 | Control panel | 1.000 | ST | | 10799 | |
| 1 | 4.841-139.0 | Control panel | 1.000 | ST | 10800 | | |
| 5 | 2.816-051.0 | Electric equipment | 1.000 | ST | | 10799 | VERSION 1 |
| 5 | 2.816-067.0 | Electric equipment | 1.000 | ST | 10800 | | VERSION 2 |
| 15 | 6.682-704.0 | Electronics Controller (Update Set) | 1.000 | ST | | | SEE RATING PLATE |
| 12 | 7.311-512.0 | Hexagon nut M 6-8-A2E ISO 7040 | 1.000 | ST | | | |
| 3 | 6.600-210.0 | Key only for replacement | 1.000 | ST | | | |
| 2 | 6.630-106.0 | Key switch | 1.000 | ST | | | |
| 14 | 5.385-079.0 | Label maintenance instruction | 1.000 | ST | | | |
| 13 | 5.007-316.0 | Plate electronics | 1.000 | ST | | | |
| 10 | 5.008-309.0 | Plate electronics | 1.000 | ST | | | |
| 9 | 5.008-310.0 | Plate electronics hook | 1.000 | ST | | | |
| 7 | 6.633-431.0 | Relay | 1.000 | ST | | | |
| 4 | 7.303-107.0 | Screw 5x16 -10.9-P2R (K-In6Rd) | 4.000 | ST | | | |
| 11 | 7.306-094.0 | Screw M6x25 -8.8-R3R (In6Rd) | 1.000 | ST | | | |
| 8 | 6.286-113.0 | Sealing profile | 1.000 | M | | | TO ORDER AS CUT GOODS |
| 6 | 2.883-970.0 | Spare part set fuses | 1.000 | ST | | | |



2 Key switch (6.630-106.0)

| POS | Article no. | Description | Quantity | Unit |
|------------|--------------------|--------------------------|-----------------|-------------|
| 9000 | 6.600-210.0 | Key only for replacement | 1.000 | ST |

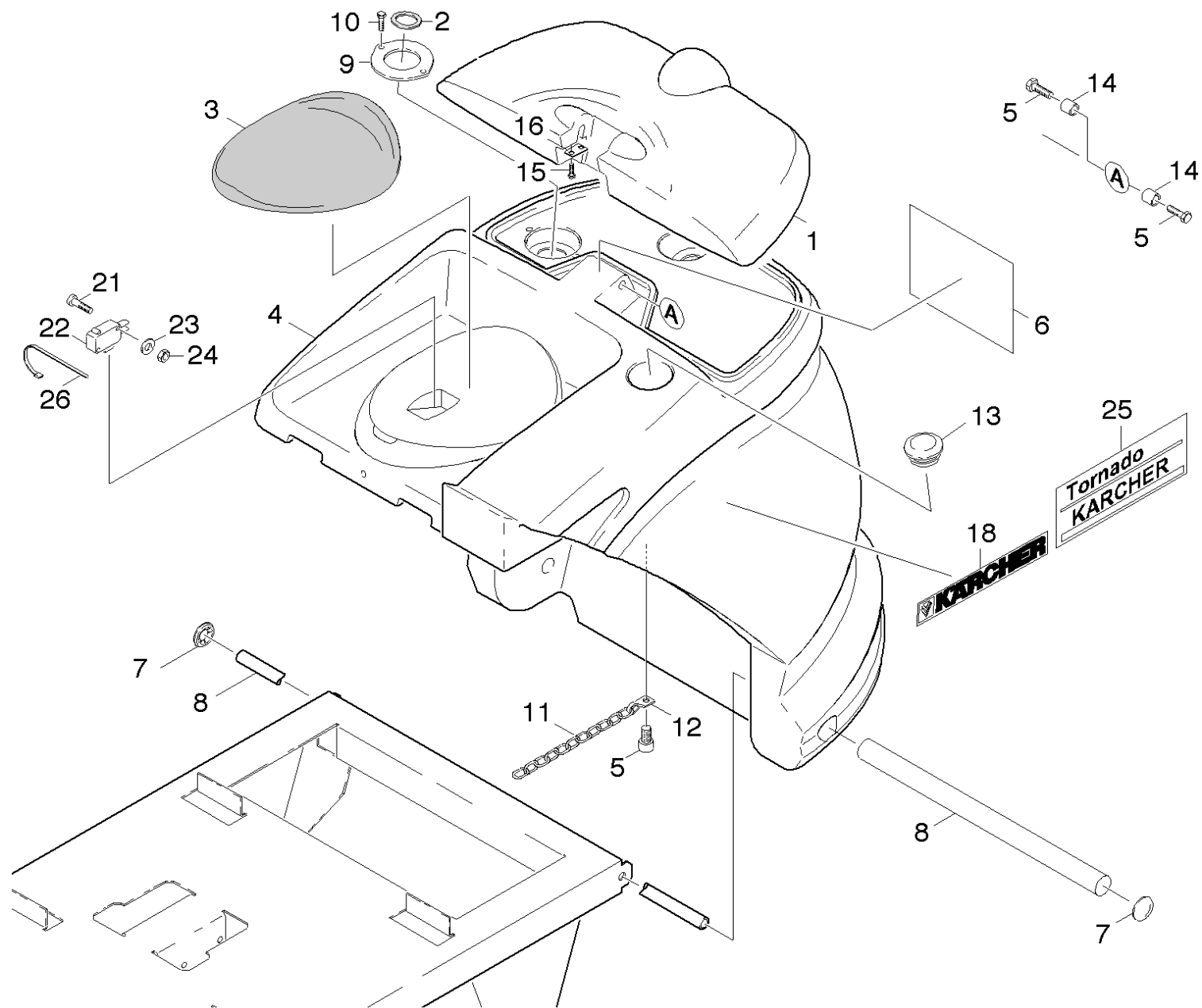


14 Water filling system battery

| POS | Article no. | Description | Quantity | Unit | Foot note text |
|------------|--------------------|------------------------------------|-----------------|-------------|------------------------------|
| 7 | 6.635-612.0 | Flow monitor | 1.000 | ST | |
| 8 | 6.392-942.0 | Hose coupling | 1.000 | ST | |
| 1 | 6.392-926.0 | Hose coupling only for replacement | 1.000 | ST | |
| 3 | 6.392-927.0 | Hose only for replacement 6x1,5mm | 1.000 | M | TO ORDER AS CUT GOODS |
| 4 | 6.392-943.0 | Plug | 1.000 | ST | |
| 2 | 6.413-561.0 | Plug water filling | 1.000 | ST | QUANTITY ACCORDING TO DEMAND |
| 6 | 6.413-562.0 | Stop cock | 1.000 | ST | |
| 5 | 6.392-925.0 | T-Hose nozzle only for replacement | 1.000 | ST | |

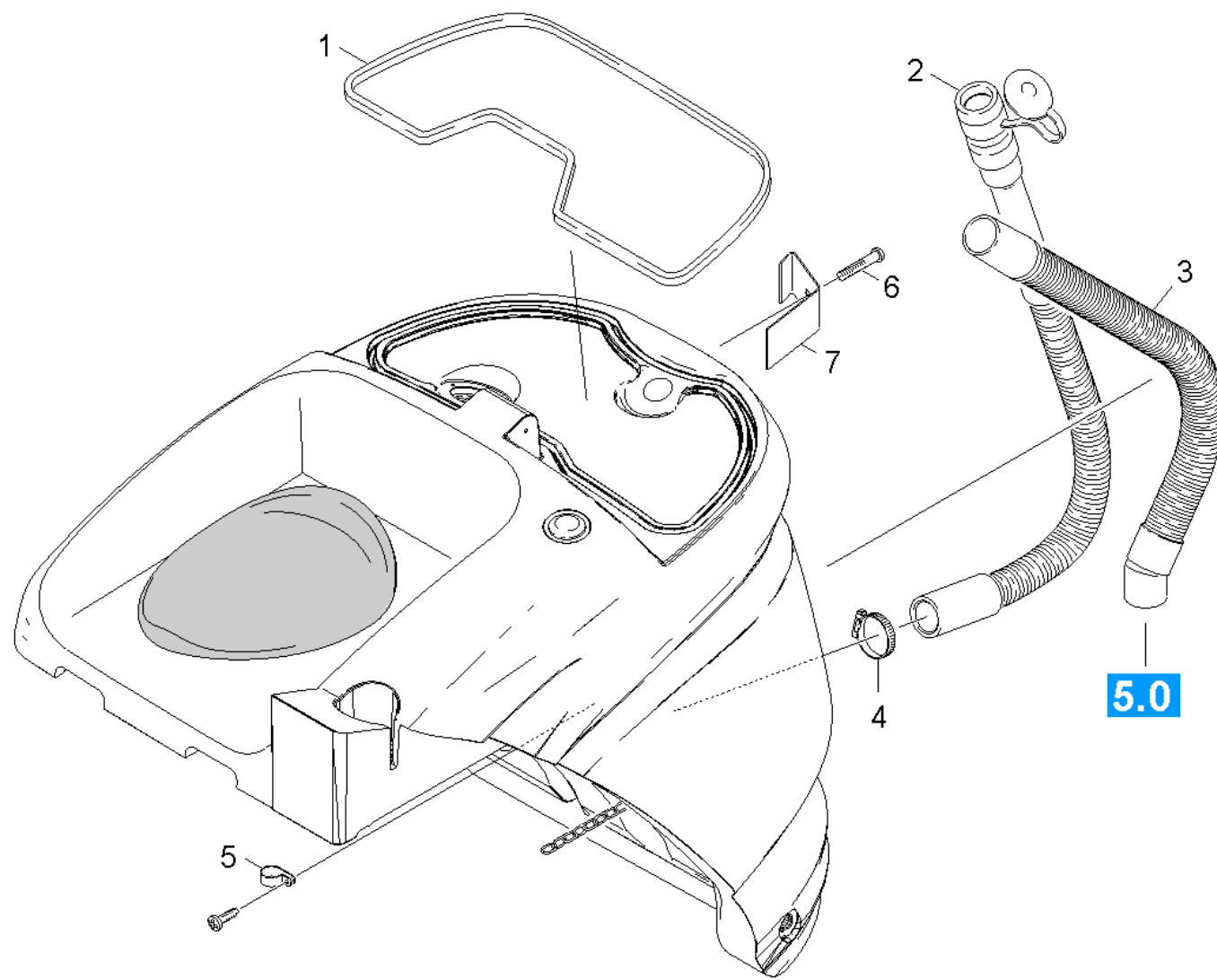
20 Waste water tank

| POS | Description | Quantity | Unit |
|------------|--------------------|-----------------|-------------|
| 22 | Suction hose | 1.000 | ST |
| 23 | Turbine | 1.000 | ST |
| 21 | Waste water tank | 1.000 | ST |



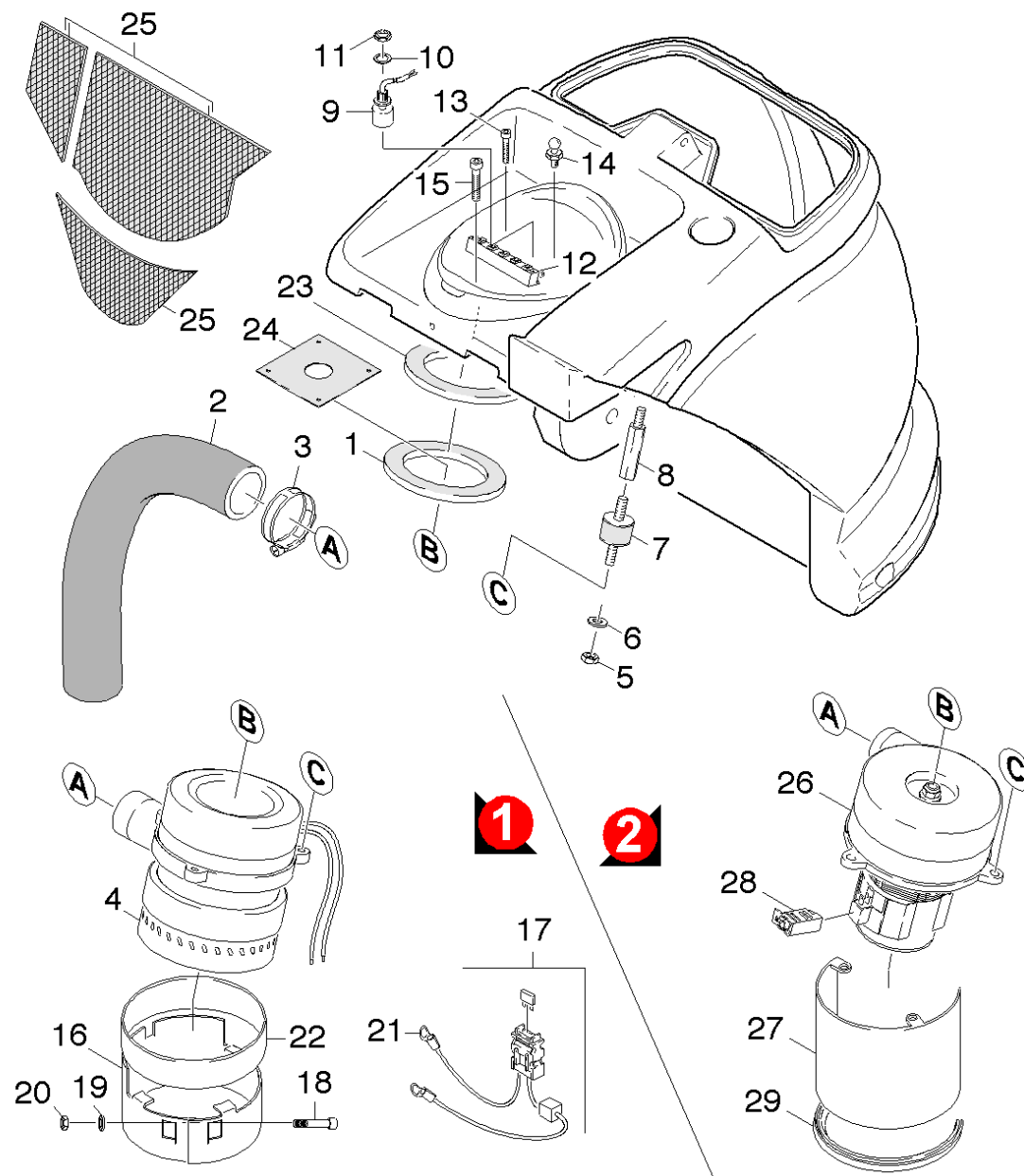
21 Waste water tank

| POS | Article no. | Description | Quantity | Unit | Foot note text |
|-----|-------------|--|----------|------|-----------------------|
| 8 | 5.105-354.0 | Axle waste water tank | 1.000 | ST | |
| 26 | 6.641-463.0 | Cable tape | 1.000 | ST | |
| 1 | 5.063-933.0 | Cap of a tank | 1.000 | ST | |
| 11 | 6.432-031.0 | Chain 22 / 11 MM | 1.000 | M | TO ORDER AS CUT GOODS |
| 10 | 7.306-134.0 | Cylinder head screw M5x12 -A4-70 ISO 47 | 2.000 | ST | |
| 5 | 7.306-022.0 | Cylinder head screw M 6x20-8.8-A2E ISO47 | 2.000 | ST | |
| 24 | 7.311-074.0 | Hexagon nut M 2-8-A2E ISO 4032 | 2.000 | ST | |
| 3 | 4.605-039.0 | Housing seat complete TRIKE | 1.000 | ST | |
| 2 | 5.363-344.0 | Joint ring | 1.000 | ST | |
| 18 | 5.390-521.0 | Label | 1.000 | ST | |
| 6 | 5.385-077.0 | Label attention vacuum motor | 1.000 | ST | |
| 25 | 5.383-868.0 | Label Tornado | 2.000 | ST | |
| 7 | 6.343-122.0 | Lock washer | 2.000 | ST | |
| 22 | 6.631-854.0 | Micro switch | 1.000 | ST | |
| 9 | 5.001-752.0 | Plate | 1.000 | ST | |
| 12 | 5.001-987.0 | Plate bracket fuer Kette | 2.000 | ST | |
| 13 | 5.132-124.0 | Plug | 1.000 | ST | |
| 15 | 7.303-104.0 | Screw 5x16 -A2-70 (IN6RD) | 4.000 | ST | |
| 21 | 7.306-045.0 | Screw M2x20 -4.8-A2K DIN 84 | 2.000 | ST | |
| 14 | 5.110-177.0 | Sleeve | 2.000 | ST | |
| 16 | 5.004-931.0 | Strap cap of a tank | 2.000 | ST | |
| 4 | 4.071-160.0 | Tank waste water complete | 1.000 | ST | |
| 23 | 7.312-043.0 | Washer 3-A2 ISO 7089 | 2.000 | ST | |



22 Suction hose

| POS | Article no. | Description | Quantity | Unit | Foot note text |
|-----|-------------|--------------------------------------|----------|------|-----------------------|
| 5 | 6.641-460.0 | Cable clamp | 1.000 | ST | |
| 2 | 6.390-829.0 | Drain hose DN38 BIG TRIKE, BR-BD 700 | 1.000 | ST | STANDARD |
| 2 | 6.390-829.0 | Drain hose DN38 BIG TRIKE, BR-BD 700 | 1.000 | ST | OIL RESISTANT |
| 7 | 5.044-569.0 | Holder drain hose | 1.000 | ST | |
| 4 | 6.388-713.0 | Hose clip | 4.000 | ST | |
| 6 | 7.303-107.0 | Screw 5x16 -10.9-P2R (K-In6Rd) | 1.000 | ST | |
| 1 | 6.366-043.0 | Sealing profile | 1.000 | M | TO ORDER AS CUT GOODS |
| 3 | 6.391-593.0 | Suction hose oil resistant DN 38 | 1.000 | ST | |



23 Turbine

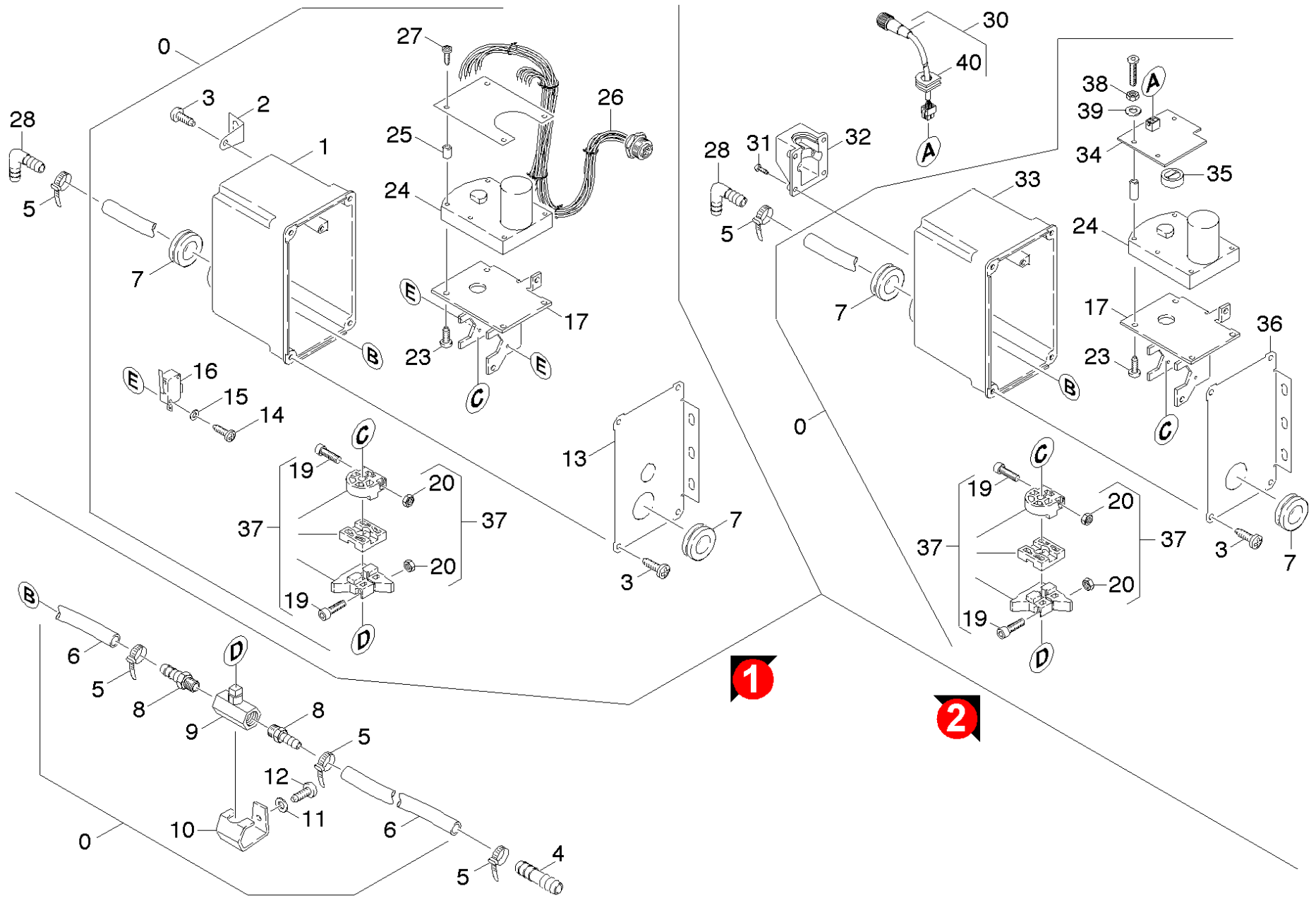
| POS | Article no. | Description | Quantity | Unit | Serial number from | Serial number to | Remark | Foot note text |
|-----|-------------|---|----------|------|--------------------|------------------|-----------------|--------------------------|
| 22 | 6.273-120.0 | Adhesiv tape Zellkautschuk | 1.000 | M | | | | TO ORDER AS CUT GOODS |
| 28 | 6.610-022.0 | Carbon brush | 2.000 | ST | | | ROTAFIL | |
| 28 | 6.610-297.0 | Carbon brush set only for replacement | 1.000 | ZSA | | | EMB | |
| 13 | 6.303-245.0 | Cylinder head screw 3X18-ST-A2E | 2.000 | ST | | | | |
| 18 | 7.306-044.0 | Cylinder head screw M8x35 -8.8-A2E ISO4 | 1.000 | ST | | | | |
| 29 | 6.368-018.0 | Edge protection | 1.000 | M | | | | TO ORDER AS CUT GOODS |
| 10 | 6.641-654.0 | Flat gasket 13X20 | 1.000 | ST | | | | |
| 9 | 6.631-309.0 | Float regulator | 1.000 | ST | | | | |
| 21 | 7.644-018.0 | Fuse insert C15 DIN 72581-3 | 1.000 | ST | | | BR/BD 75-90/140 | |
| 5 | 7.311-067.0 | Hexagon nut M 6-A2-70 ISO 4032 | 3.000 | ST | | | | |
| 20 | 7.311-510.0 | Hexagon nut M 8-8-A2E ISO 7040 | 1.000 | ST | | | | |
| 3 | 6.388-563.0 | Hose clip | 1.000 | ST | | | | |
| 23 | 5.363-111.0 | Joint ring | 1.000 | ST | | | | |
| 1 | 5.363-574.0 | Joint ring | 1.000 | ST | | | | |
| 11 | 6.641-483.0 | Locknut PG7 | 1.000 | ST | | | | |
| 24 | 5.008-134.0 | Plate stiffener tank | 1.000 | ST | | | | |
| 16 | 5.007-783.0 | Plate turbine | 1.000 | ST | | | | |
| 27 | 5.006-960.0 | Plate vacuum motor | 1.000 | ST | | | | |
| 17 | 6.600-245.0 | Protective diode TRIKE | 1.000 | ST | | | BR/BD 75-90/140 | |
| 7 | 6.339-021.0 | Rubber buffer 2xM6-D20 H15 | 3.000 | ST | | | | |
| 15 | 7.306-193.0 | Screw M6x16 -A2-70 (In6Rd) | 1.000 | ST | | | | |
| 25 | 5.673-129.0 | Sound insulation | 1.000 | ST | | | | |
| 2 | 6.390-215.0 | Soundproof hose | 1.000 | ST | | | (350mm) | |
| 2 | 6.388-949.0 | Soundproof hose | 1.000 | ST | | | (500mm) | |

23 Turbine

| POS | Article no. | Description | Quantity | Unit | Serial number from | Serial number to | Remark | Foot note text |
|-----|-------------|---|----------|------|--------------------|------------------|--------------------|----------------|
| 14 | 5.316-909.0 | Spherical head bolt | 1.000 | ST | | | | |
| 8 | 5.308-056.0 | Stud bolt | 3.000 | ST | | | BR/BD 75-90/140 | |
| 8 | 5.308-068.0 | Stud bolt M8x15 | 3.000 | ST | | | BR/BD 75/140 R Eco | |
| 12 | 6.643-556.0 | Terminal clamp | 1.000 | ST | | | | |
| 26 | 6.490-308.0 | Vacuum motor 24 V | 1.000 | ST | | | | |
| 4 | 6.490-190.0 | Vacuum motor electronic commutating 24V | 1.000 | ST | 11057 | | | |
| 4 | 6.490-190.0 | Vacuum motor electronic commutating 24V | 1.000 | ST | | 11056 | | |
| 6 | 7.312-026.0 | Washer 6 -A2 ISO 7089 | 3.000 | ST | | | | |
| 19 | 7.312-004.0 | Washer 8 -200HV- A3E ISO 7089 | 1.000 | ST | | | | |

30 Water

| POS | Description | Quantity | Unit |
|------------|--------------------|-----------------|-------------|
| 31 | Valve | 1.000 | ST |
| 32 | Water filter | 1.000 | ST |

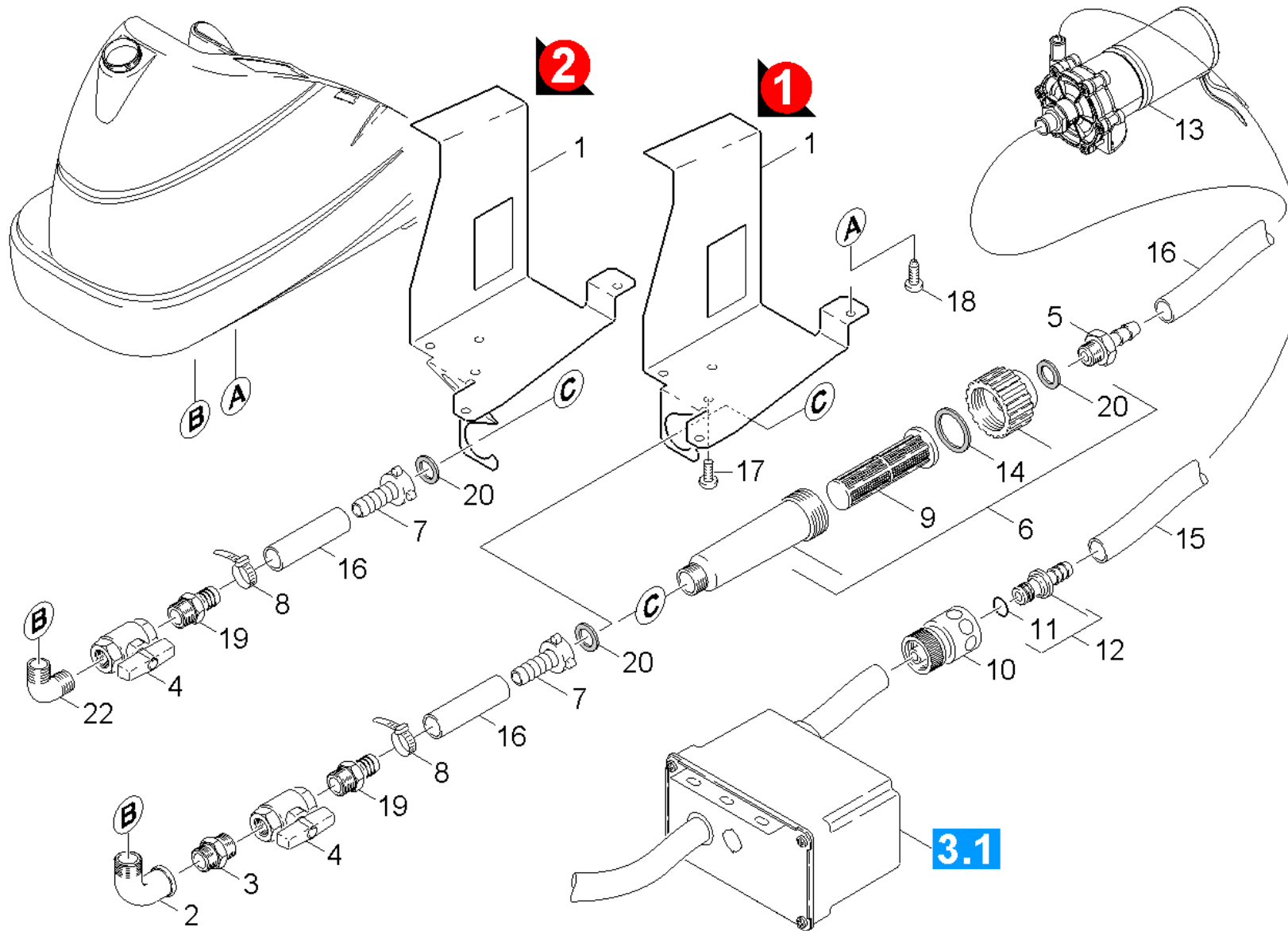


31 Valve

| POS | Article no. | Description | Quantity | Unit | Serial number from | Serial number to | Foot note text |
|-----|-------------|--|----------|------|--------------------|------------------|------------------------------|
| 9 | 6.412-289.0 | Ball valve | 1.000 | ST | | | |
| 30 | 5.820-075.0 | Cable | 1.000 | ST | | | |
| 40 | 6.648-064.0 | Cable bushing | 1.000 | ST | | | |
| 5 | 6.641-474.0 | Cable tape 8-210 | 4.000 | ST | | | |
| 28 | 6.388-628.0 | Elbow connector 1/2" | 1.000 | ST | | | |
| 32 | 5.032-761.0 | Elbow connector ball valve | 1.000 | ST | | | |
| 26 | 6.682-655.0 | Electronics ball valve | 1.000 | ST | | | |
| 17 | 5.050-120.0 | Frame ball valve electrically | 1.000 | ST | | | |
| 38 | 7.311-000.0 | Hexagon nut M3 -6-A2E ISO 4032 | 3.000 | ST | | | |
| 20 | 7.311-028.0 | Hexagon nut M 4-04-A2E ISO 4035 | 2.000 | ST | | | |
| 10 | 5.044-325.0 | Holder ball valve | 1.000 | ST | | | |
| 6 | 6.388-248.0 | Hose DN12,5 | 1.000 | M | | | TO ORDER AS CUT GOODS |
| 8 | 6.389-898.0 | Hose stem | 2.000 | ST | | | |
| 4 | 6.388-752.0 | Hose stem DN13 | 1.000 | ST | | | |
| 33 | 5.064-135.0 | Housing ball valve | 1.000 | ST | | | |
| 16 | 6.630-635.0 | Micro switch lever suction bar | 2.000 | ST | | | |
| 24 | 4.623-467.0 | Motor complete ball valve | 1.000 | ST | | | |
| 36 | 5.006-796.0 | Plate left | 1.000 | ST | | | |
| 13 | 5.006-193.0 | Plate left ball valve | 1.000 | ST | | | |
| 2 | 5.006-192.0 | Plate right ball valve | 1.000 | ST | | | |
| 31 | 7.303-095.0 | Screw 4x 12-ST-10.9-R2R (IN6RD) | 4.000 | ST | | | |
| 23 | 7.303-129.0 | Screw 4x16 -10.9-R2R (K-In6Rd) | 2.000 | ST | | | QUANTITY ACCORDING TO DEMAND |
| 27 | 7.303-096.0 | Screw 4x22 -ST-10.9-R2R (IN6RD) | 2.000 | ST | | | |
| 3 | 7.303-107.0 | Screw 5x16 -10.9-P2R (K-In6Rd) | 7.000 | ST | | | QUANTITY ACCORDING TO DEMAND |
| 19 | 7.306-211.0 | Screw M 4x25-A2-70 (IN6RD) | 2.000 | ST | | | |
| 12 | 7.303-047.0 | Screw M6x16 -St-R3R (In6Rd) | 1.000 | ST | | | |
| 14 | 7.303-501.0 | Self-tapping screw M3x20-ST-A2E DIN 7500 | 4.000 | ST | | | |
| 25 | 6.347-076.0 | Spacer sleeve | 2.000 | ST | | | |

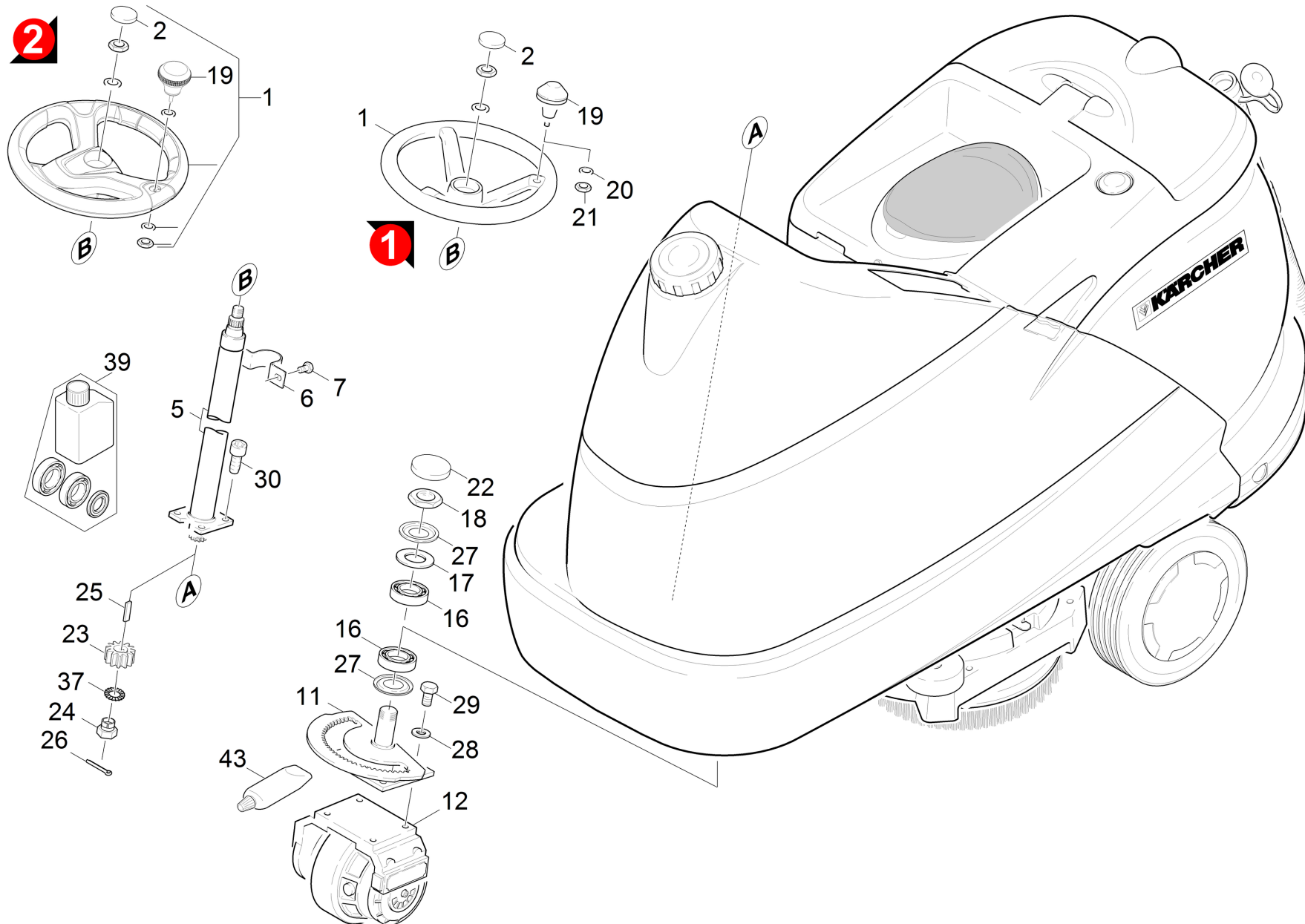
31 Valve

| POS | Article no. | Description | Quantity | Unit | Serial number from | Serial number to | Foot note text |
|-----|-------------|---|----------|------|--------------------|------------------|----------------|
| 37 | 2.884-162.0 | Spare part set | 1.000 | ST | | | |
| 35 | 7.777-999.0 | Stockpiling discontinued | 1.000 | ST | | | |
| 34 | 7.777-999.0 | Stockpiling discontinued | 1.000 | ST | | | |
| 1 | 7.777-999.0 | Stockpiling discontinued | 1.000 | ST | | | |
| 0 | 4.580-605.0 | Valve | 1.000 | ST | 10185 | | |
| 0 | 4.580-599.0 | Valve ball valve electrically rechts | 1.000 | ST | | 10184 | |
| 39 | 7.312-011.0 | Washer 3-200HV-A2E ISO 7092 | 3.000 | ST | | | |
| 15 | 7.312-043.0 | Washer 3-A2 ISO 7089 | 4.000 | ST | | | |
| 11 | 7.312-045.0 | Washer 6-200HV-P4E ISO 7089 | 1.000 | ST | | | |
| 7 | 6.648-230.0 | Wire protecting sleeve | 2.000 | ST | | | |



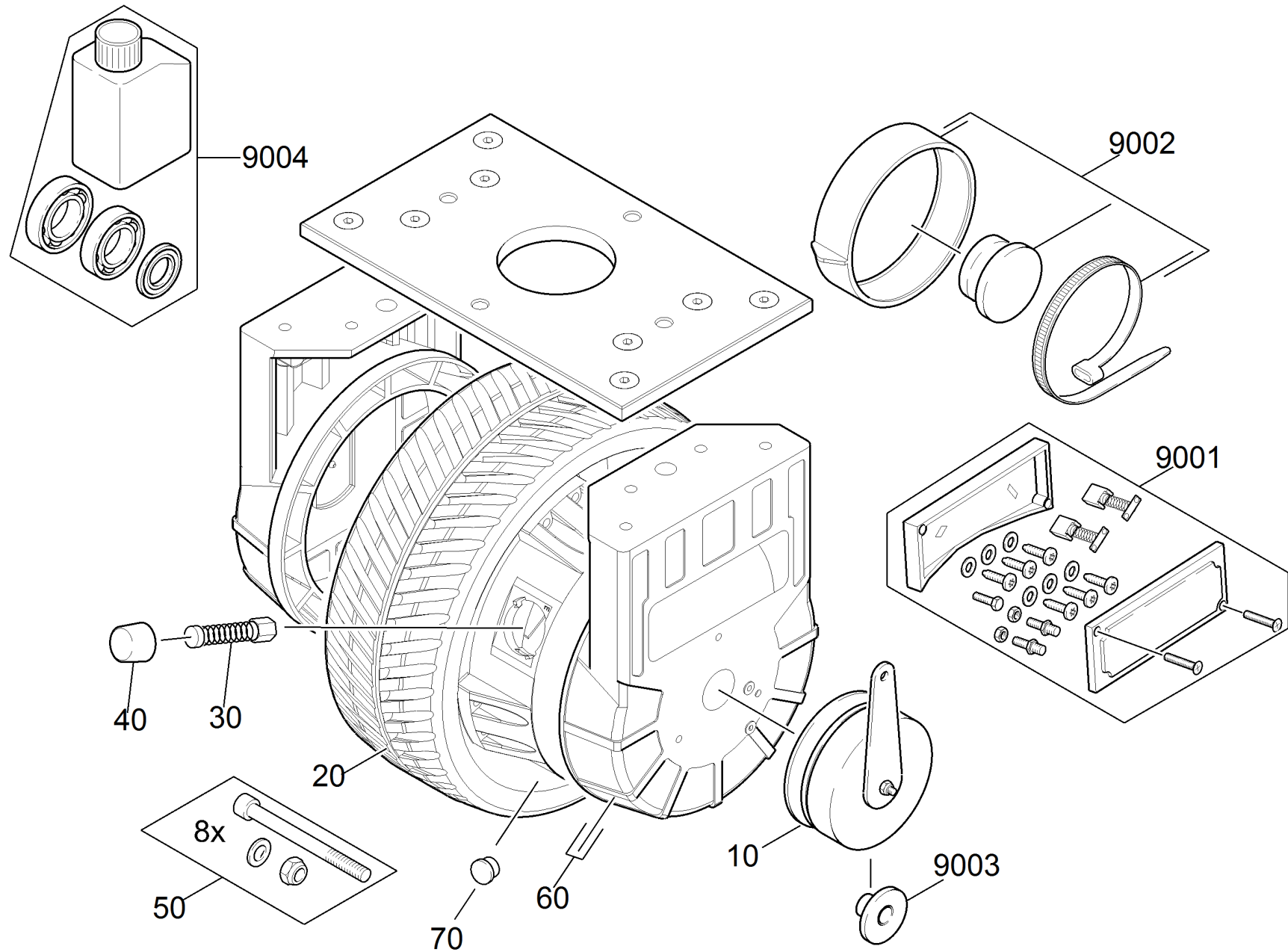
32 Water filter

| POS | Article no. | Description | Quantity | Unit | Foot note text |
|-----|-------------|--------------------------------|----------|------|-----------------------|
| 2 | 6.387-877.0 | Angle A4-1/2"-2.1096 | 1.000 | ST | |
| 22 | 6.387-494.0 | Angle A8-1/2"-W400-05-V | 1.000 | ST | |
| 8 | 6.641-474.0 | Cable tape 8-210 | 6.000 | ST | |
| 3 | 6.387-878.0 | Double nipple N8-1/2"-2.1096 | 1.000 | ST | |
| 1 | 5.044-517.0 | Holder pump | 1.000 | ST | VERSION 1 |
| 1 | 5.044-706.0 | Holder pump | 1.000 | ST | VERSION 2 |
| 10 | 4.645-332.0 | HOSE CONNECTOR 1/2" / 5/8" OPP | 1.000 | ST | |
| 15 | 6.388-248.0 | Hose DN12,5 | 1.000 | M | TO ORDER AS CUT GOODS |
| 16 | 6.390-324.0 | Hose DN15 | 1.000 | M | TO ORDER AS CUT GOODS |
| 7 | 6.387-087.0 | Hose nozzle | 1.000 | ST | |
| 12 | 5.443-375.0 | Hose stem | 1.000 | ST | |
| 19 | 6.389-692.0 | Hose stem 1/2" | 1.000 | ST | |
| 5 | 6.388-598.0 | Hose stem R3/4" | 1.000 | ST | |
| 20 | 5.363-095.0 | Joint ring | 2.000 | ST | |
| 11 | 6.362-170.0 | O-Ring seal 11,3 X 2,4-NBR 70 | 1.000 | ST | |
| 13 | 4.540-143.3 | Pump 3/4" | 1.000 | ST | |
| 18 | 7.303-107.0 | Screw 5x16 -10.9-P2R (K-In6Rd) | 2.000 | ST | |
| 17 | 7.306-207.0 | Screw M4x12 -A2-70 (In6Rd) | 3.000 | ST | |
| 14 | 5.363-336.0 | Seal | 1.000 | ST | |
| 4 | 6.413-539.0 | Stop cock G 1/2" | 1.000 | ST | |
| 6 | 4.730-127.0 | Water filter | 1.000 | ST | |
| 9 | 5.731-587.0 | Water filter | 1.000 | ST | |



40 Steering

| POS | Article no. | Description | Quantity | Unit | Foot note text |
|-----|--|---|----------|------|----------------|
| 16 | 6.401-260.0 | Angular contact ball bearing | 2.000 | ST | |
| 2 | 6.368-217.0 | Cap | 1.000 | ST | VERSION 1 |
| 22 | 6.368-215.0 | Cap | 1.000 | ST | |
| 2 | 6.640-353.0 | Cap steering wheel KÄRCHER | 1.000 | ST | VERSION 2 |
| 24 | 7.311-052.0 | Castle nut M16x1,5 -17H-A3E DIN937 | 1.000 | ST | |
| 26 | 7.316-352.0 | Cotter 4x36 -St-A2E ISO 1234 | 1.000 | ST | |
| 30 | 7.306-063.0 | Cylinder head screw M10x30-8.8-A3E ISO4 | 4.000 | ST | |
| 43 | 6.288-134.0 | Grease gleitmo WSP 5040 | 1.000 | ZST | |
| | cart_info txt: This material is not available due to hazardous good regulation. Please procure this or a similar material from a local supplier of your choice. Grease gleitmo WSP 5040 | | | | |
| 19 | 6.321-142.0 | Handhold | 1.000 | ST | VERSION 1 |
| 19 | 6.640-354.0 | Handle | 1.000 | ST | VERSION 2 |
| 7 | 7.304-395.0 | Hexagonal head screw M8x16-8.8-A2E ISO | 2.000 | ST | |
| 28 | 7.304-415.0 | Hexagonal head screw M10x25-8.8-A3E ISO | 4.000 | ST | |
| 21 | 7.311-427.0 | Hexagon nut M8 -04-A2E DIN 985 | 1.000 | ST | VERSION 1 |
| 18 | 7.311-122.0 | Hexagon nut M24X1,5-22H-A2E DIN 936 | 1.000 | ST | |
| 6 | 5.044-518.0 | Holder steering pillar | 1.000 | ST | |
| 25 | 7.318-084.0 | Parallel key 5x5x12 -C45K DIN 6885-1 | 1.000 | ST | |
| 37 | 7.312-035.0 | Serrated lock washer A17-1.4310 DIN 679 | 1.000 | ST | |
| 23 | 4.640-167.0 | Set gear wheel | 1.000 | ST | |
| 27 | 6.401-263.0 | Slip ring | 2.000 | ST | |
| 39 | 4.641-045.0 | Spare part set bearing | 1.000 | ST | |
| 29 | 7.313-005.0 | Spring washer B10-FSt-A3E DIN 127 | 4.000 | ST | |
| 11 | 4.040-007.0 | Steering | 1.000 | ST | |
| 5 | 6.439-177.0 | Steering pillar | 1.000 | ST | |
| 1 | 6.435-253.0 | Steering wheel | 1.000 | ST | VERSION 1 |
| 1 | 6.435-814.0 | Steering wheel with handle | 1.000 | ST | VERSION 2 |
| 20 | 7.312-004.0 | Washer 8 -200HV-A3E ISO 7089 | 1.000 | ST | VERSION 1 |
| 17 | 7.312-010.0 | Washer 24 -200HV-A3E ISO 7090 | 1.000 | ST | |
| 12 | 6.613-314.0 | Wheel drive motor | 1.000 | ST | |



12 Wheel drive motor (6.613-314.0)

| POS | Article no. | Description | Quantity | Unit |
|------|-------------|---|----------|------|
| 10 | 6.467-043.0 | Brake wheel drive motor | 1.000 | ST |
| 40 | 6.961-901.0 | Cap with bayonet | 1.000 | ST |
| 30 | 6.610-211.0 | Carbon brush set | 1.000 | ST |
| 9003 | 6.394-391.0 | Coupler brake BR/BD TRIKE | 1.000 | ST |
| 60 | 6.613-476.0 | Flange gear replacement | 1.000 | ST |
| 70 | 6.368-062.0 | Protecting cap GPN 300 V | 8.000 | ST |
| 9002 | 6.467-039.0 | Retrofit kit brake | 1.000 | ST |
| 9004 | 4.641-045.0 | Spare part set bearing | 1.000 | ST |
| 50 | 6.610-329.0 | Spare part set screw rim | 1.000 | ST |
| 9001 | 6.610-328.0 | Spare part set terminal box wheel drive | 1.000 | ST |
| 20 | 6.435-729.0 | Tire wheel drive motor convex | 1.000 | ST |

9004 Spare part set bearing (4.641-045.0)

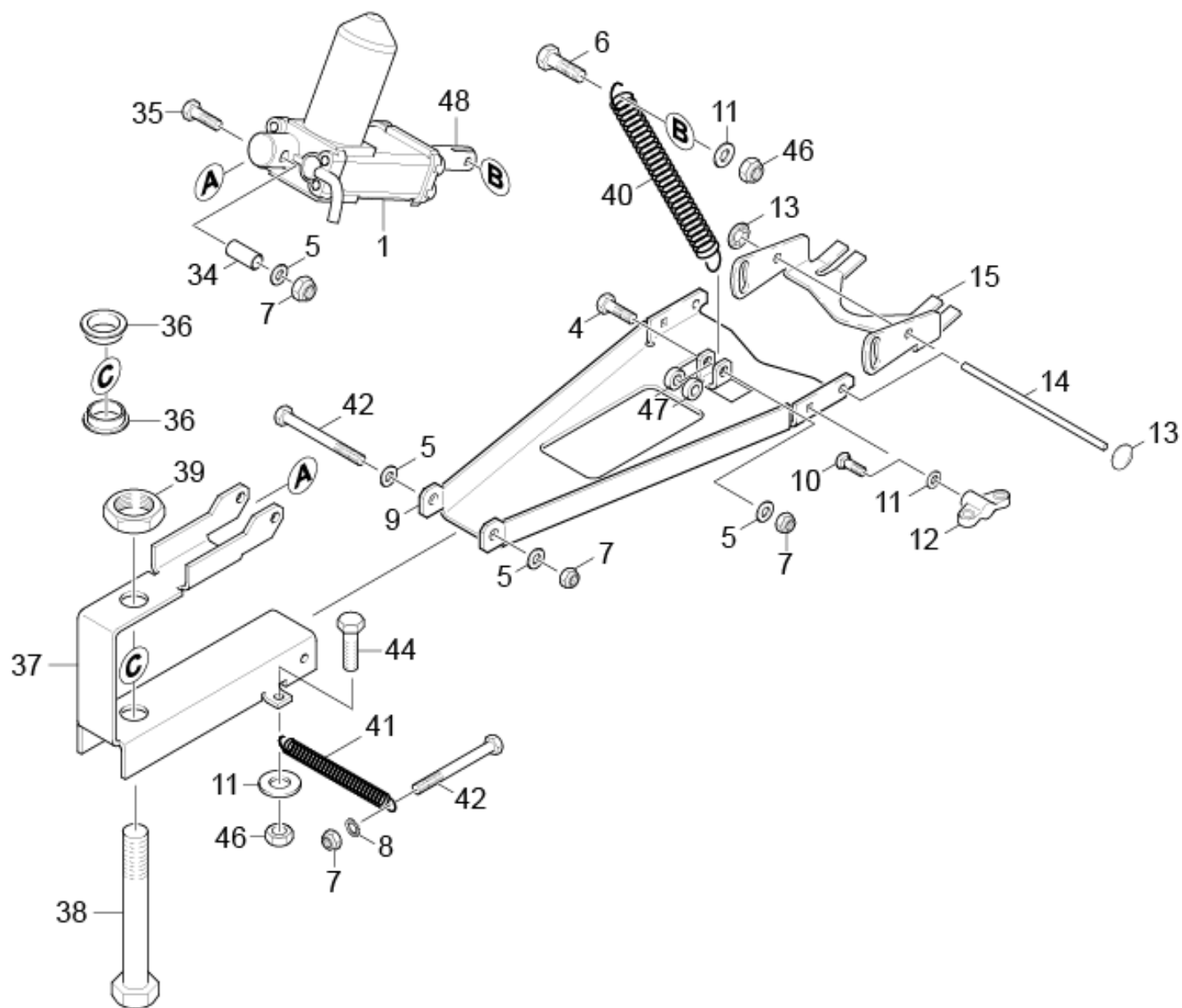
| POS | Article no. | Description | Quantity | Unit |
|------------|--------------------|--|-----------------|-------------|
| 2 | 7.401-133.0 | Ball bearing 6004-2RS -Wälzl.St DIN 625 | 1.000 | ST |
| 1 | 7.401-134.0 | Ball bearing 6203-2RS-WAELZLAGST DIN 625 | 1.000 | ST |
| 4 | 6.997-364.0 | Synthesis oil CLP150 | 1.000 | ST |

39 Spare part set bearing (4.641-045.0)

| POS | Article no. | Description | Quantity | Unit |
|------------|--------------------|--|-----------------|-------------|
| 2 | 7.401-133.0 | Ball bearing 6004-2RS -Wälzl.St DIN 625 | 1.000 | ST |
| 1 | 7.401-134.0 | Ball bearing 6203-2RS-WAELZLAGST DIN 625 | 1.000 | ST |
| 4 | 6.997-364.0 | Synthesis oil CLP150 | 1.000 | ST |

50 Suction bar

| POS | Description | Quantity | Unit | Foot note text |
|------------|-------------------------|-----------------|-------------|-----------------------|
| 54 | Suction bar | 1.000 | ST | VERSION 3 |
| 53 | Suction bar | 1.000 | ST | VERSION 2 |
| 52 | Suction bar | 1.000 | ST | VERSION 1 |
| 51 | Suction beam retraction | 1.000 | ST | |



51 Suction beam retraction

| POS | Article no. | Description | Quantity | Unit |
|-----|-------------|---|----------|------|
| 14 | 5.107-202.0 | Bar | 1.000 | ST |
| 47 | 5.112-846.0 | Bush | 2.000 | ST |
| 34 | 5.112-381.0 | Bush | 1.000 | ST |
| 48 | 2.885-062.0 | Conversion kit spacer for Hubmotor | 1.000 | ST |
| 40 | 6.330-245.0 | Extension spring | 1.000 | ST |
| 41 | 5.332-278.0 | Helical spring | 2.000 | ST |
| 44 | 7.304-521.0 | Hexagonal head screw M 6x16-A4-70 ISO 4 | 2.000 | ST |
| 6 | 7.304-509.0 | Hexagonal head screw M 6x25-A4-70 ISO 4 | 1.000 | ST |
| 4 | 7.304-407.0 | Hexagonal head screw M 8x45-8.8-A2E ISO | 1.000 | ST |
| 35 | 7.304-504.0 | Hexagonal head screw M8x50-A2-70 ISO 40 | 1.000 | ST |
| 42 | 7.304-097.0 | Hexagonal head screw M8x70-8.8-A2E ISO | 2.000 | ST |
| 38 | 7.304-056.0 | Hexagonal head screw M20x140-A2-70 ISO | 1.000 | ST |
| 46 | 7.311-425.0 | Hexagon nut M6 -04-A2E DIN 985 | 2.000 | ST |
| 7 | 7.311-427.0 | Hexagon nut M8 -04-A2E DIN 985 | 4.000 | ST |
| 39 | 7.311-034.0 | Hexagon nut M20-A2-70 ISO 7040 | 1.000 | ST |
| 1 | 6.613-300.0 | Hoisting motor 24V | 1.000 | ST |
| 13 | 6.343-132.0 | Lock washer 8 | 2.000 | ST |
| 36 | 6.403-031.0 | Plain bearing 20/28 | 2.000 | ST |
| 15 | 5.048-234.0 | Rocker suction bar | 1.000 | ST |
| 10 | 7.303-139.0 | Saucer-head screw M6x20 -A2 DIN 603 | 1.000 | ST |
| 8 | 7.312-022.0 | Serrated lock washer A8,4-1.4310 DIN679 | 2.000 | ST |
| 9 | 5.059-528.0 | Sheet metal component | 1.000 | ST |
| 37 | 5.059-531.0 | Sheet metal component | 1.000 | ST |
| 11 | 7.312-026.0 | Washer 6 -A2 ISO 7089 | 5.000 | ST |
| 5 | 7.312-004.0 | Washer 8 -200HV-A3E ISO 7089 | 4.000 | ST |
| 12 | 6.310-180.0 | Wing nut M6 | 2.000 | ST |

52 Suction bar

| POS | Article no. | Description | Quantity | Unit | Remark | Foot note text |
|-----|-------------|--|----------|------|--------------|----------------|
| 21 | 2.639-561.0 | Add-on kit support wheels suction bar | 1.000 | ST | | |
| 22 | 5.128-339.0 | Additional weight suction bar | 1.000 | ST | | |
| 16 | 5.105-245.0 | Axle | 2.000 | ST | | |
| 29 | 5.515-267.0 | Deflector roll | 2.000 | ST | | |
| 9 | 2.885-294.0 | End piece left / right spare parts set | 1.000 | ST | | |
| 17 | 7.304-550.0 | Hexagonal head screw M 6x45-A4-70 ISO 4 | 2.000 | ST | | |
| 10 | 7.311-422.0 | Hexagon nut M 6-1.4305 ISO 10511 | 2.000 | ST | | |
| 12 | 5.044-304.0 | Holder roller | 2.000 | ST | | |
| 6 | 5.007-217.0 | Plate | 1.000 | ST | | |
| 4 | 5.515-096.0 | Roller | 2.000 | ST | | |
| 19 | 6.273-205.0 | Rubber lip set anti stripe oil resistant | 1.000 | ZSA | BR/BD 75/140 | ANTI-STRIP |
| 19 | 6.273-206.0 | Rubber lip set anti stripe oil resistant | 1.000 | ZSA | BR/BD 90/140 | ANTI-STRIP |
| 19 | 6.273-209.0 | Rubber lip set oil resistant | 1.000 | ZSA | BR/BD 90/140 | OIL RESISTANT |
| 19 | 6.273-208.0 | Rubber lip set oil resistant | 1.000 | ZSA | BR/BD 75/140 | OIL RESISTANT |
| 19 | 6.273-214.0 | Rubber lip set standard | 1.000 | ZSA | BR/BD 75/140 | STANDARD |
| 19 | 6.273-215.0 | Rubber lip set standard | 1.000 | ZSA | BR/BD 90/140 | STANDARD |
| 14 | 7.303-037.0 | Screw M5x10 -St-P2R (In6Rd) | 4.000 | ST | | |
| 24 | 5.112-748.0 | Sleeve | 2.000 | ST | | |
| 28 | 5.094-231.0 | Sleeve suction bar in VA | 2.000 | ST | | |
| 26 | 5.112-810.0 | Sleeve VA | 2.000 | ST | | |
| 2 | 6.321-243.0 | Star grip stainless steel D50x48 | 2.000 | ST | | |
| 27 | 6.321-239.0 | Star grip VA Ø50x43 | 2.000 | ST | | |
| 8 | 4.777-302.0 | Suction bar 940AB | 1.000 | ST | BR/BD 75/140 | |
| 8 | 4.777-303.0 | Suction bar 1060AB | 1.000 | ST | BR/BD 90/140 | |
| 20 | 4.777-055.0 | Suction bar curved | 1.000 | ST | BR/BD 75/140 | |
| 20 | 4.777-056.0 | Suction bar curved BR-BD 700 | 1.000 | ST | BR/BD 90/140 | |
| 7 | 5.031-989.0 | Suction nipple | 1.000 | ST | | |
| 3 | 5.094-050.0 | Tube | 2.000 | ST | | |
| 13 | 7.312-052.0 | Washer 5 -A2 ISO 7089 | 4.000 | ST | | |
| 11 | 7.312-026.0 | Washer 6 -A2 ISO 7089 | 4.000 | ST | | |
| 1 | 7.312-004.0 | Washer 8 -200HV-A3E ISO 7089 | 2.000 | ST | | |
| 15 | 6.435-401.0 | Wheel D54 | 2.000 | ST | | |

52 Suction bar

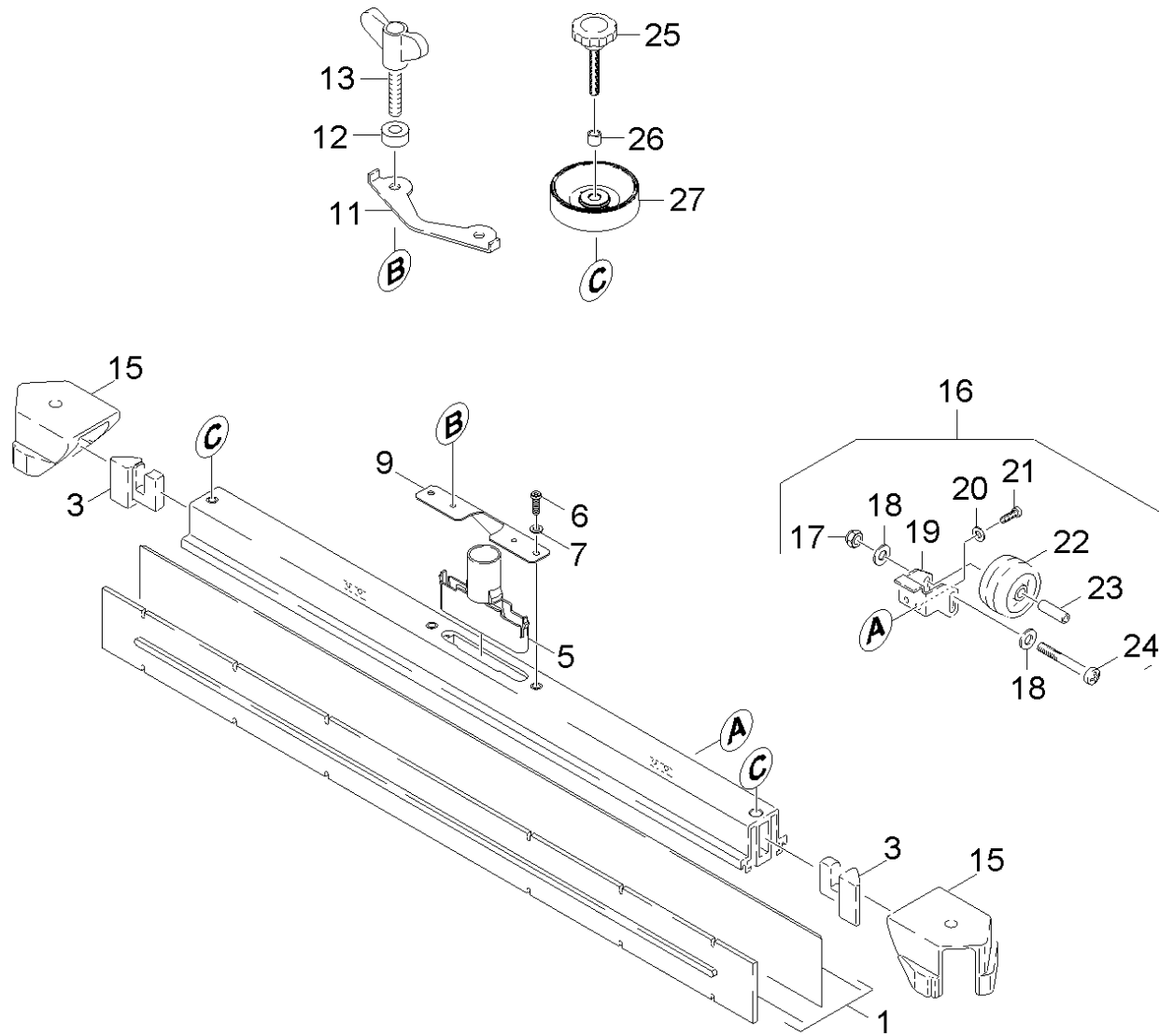
| POS | Article no. | Description | Quantity | Unit | Remark | Foot note text |
|------------|--------------------|---------------------|-----------------|-------------|---------------|-----------------------|
| 23 | 5.305-286.0 | Wing screw M8x | 2.000 | ST | | |
| 25 | 5.305-296.0 | Wing screw M8x40 VA | 2.000 | ST | | |

8 Suction bar 940AB (4.777-302.0)

| POS | Article no. | Description | Quantity | Unit |
|------------|--------------------|------------------------------------|-----------------|-------------|
| 600 | 5.971-949.0 | Spare parts list suction bar 940AB | 1.000 | ST |

600 Spare parts list suction bar 940AB (5.971-949.0)

| POS | Description | Quantity | Unit |
|------------|----------------------------|-----------------|-------------|
| 10 | Suction bar straight 940mm | 1.000 | ST |



10 Suction bar straight 940mm

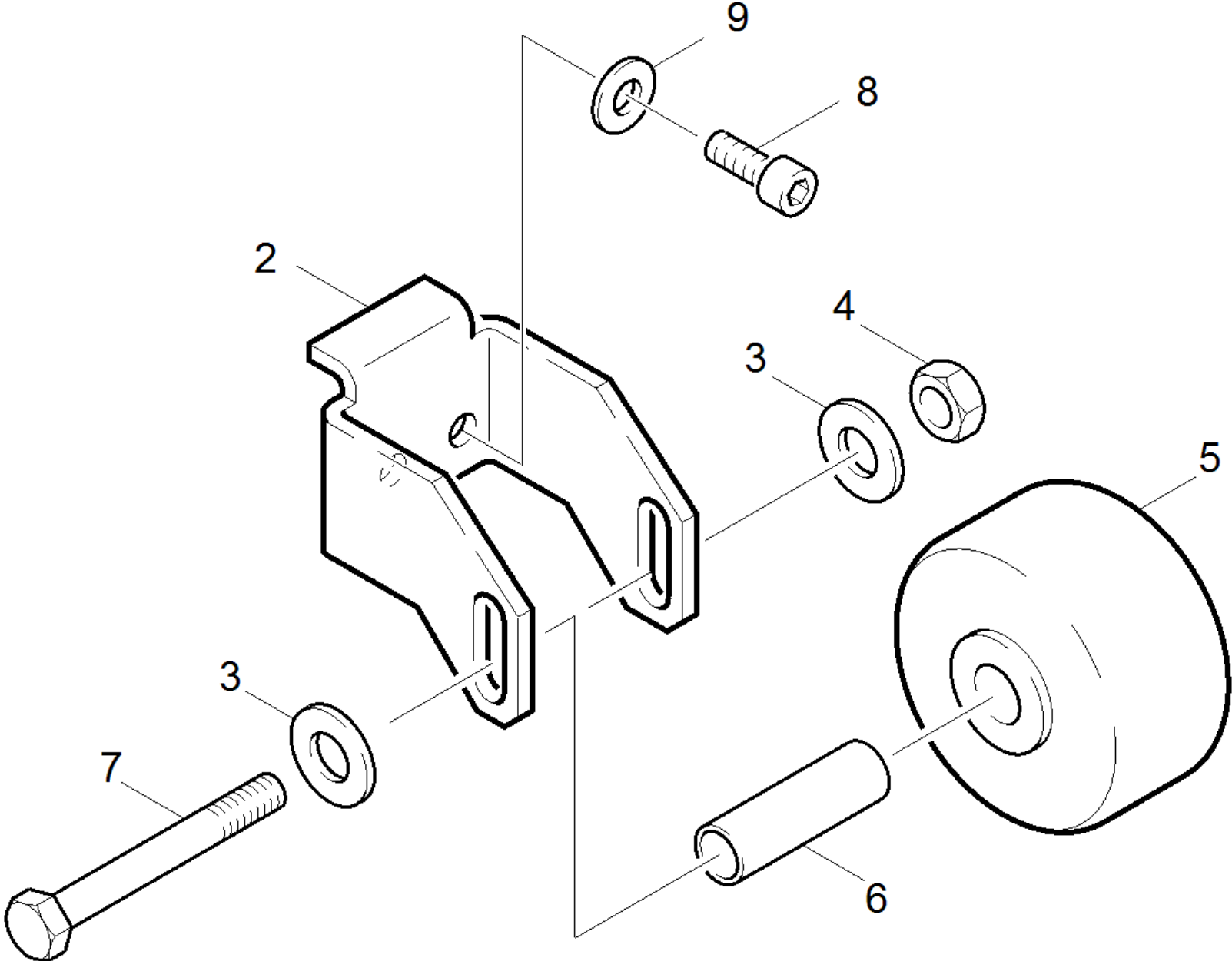
| POS | Article no. | Description | Quantity | Unit | Remark | Foot note text |
|-----|-------------|--|----------|------|--------|------------------------------|
| 16 | 2.639-561.0 | Add-on kit support wheels suction bar | 1.000 | ST | | |
| 23 | 5.105-245.0 | Axle | 1.000 | ST | | |
| 6 | 7.306-142.0 | Cylinder head screw M 8x25-A4-70 ISO 47 | 2.000 | ST | | |
| 27 | 5.515-267.0 | Deflector roll | 2.000 | ST | | |
| 15 | 2.885-294.0 | End piece left / right spare parts set | 1.000 | ST | | |
| 3 | 2.885-326.0 | End piece left / right spare parts set | 1.000 | ST | | |
| 24 | 7.304-550.0 | Hexagonal head screw M 6x45-A4-70 ISO 4 | 2.000 | ST | | |
| 17 | 7.311-422.0 | Hexagon nut M 6-1.4305 ISO 10511 | 1.000 | ST | | |
| 19 | 5.044-304.0 | Holder roller | 2.000 | ST | | |
| 11 | 5.007-217.0 | Plate | 1.000 | ST | | |
| 1 | 6.273-205.0 | Rubber lip set anti stripe oil resistant | 1.000 | ZSA | | ANTI-STRIP, OIL RESISTANT |
| 1 | 6.273-208.0 | Rubber lip set oil resistant | 1.000 | ZSA | | OIL RESISTANT |
| 1 | 6.273-214.0 | Rubber lip set standard | 1.000 | ZSA | | STANDARD |
| 21 | 7.303-037.0 | Screw M5x10 -St-P2R (In6Rd) | 2.000 | ST | | |
| 26 | 5.094-231.0 | Sleeve suction bar in VA | 2.000 | ST | | STAINLESS STEEL CONSTRUCTION |
| 12 | 5.112-810.0 | Sleeve VA | 2.000 | ST | (VA) | |
| 25 | 6.321-239.0 | Star grip VA Ø50x43 | 2.000 | ST | | STAINLESS STEEL CONSTRUCTION |
| 9 | 5.100-559.0 | Suction bar support plate | 1.000 | ST | | |
| 5 | 5.033-601.0 | Suction nipple | 1.000 | ST | | GREY |
| 20 | 7.312-052.0 | Washer 5 -A2 ISO 7089 | 2.000 | ST | | |
| 18 | 7.312-026.0 | Washer 6 -A2 ISO 7089 | 2.000 | ST | | |
| 7 | 7.312-017.0 | Washer 8-A2 ISO 7089 | 2.000 | ST | | |
| 22 | 6.435-401.0 | Wheel D54 | 2.000 | ST | | |
| 13 | 5.305-296.0 | Wing screw M8x40 VA | 2.000 | ST | (VA) | |

16 Add-on kit support wheels suction bar (2.639-561.0)

| POS | Article no. | Description | Quantity | Unit |
|-----------------------------|-------------|---------------------------------|----------|------|
| 1 | 0.082-417.0 | Spare parts list support wheels | 1.000 | ST |
| Item text2: 26395610 | | | | |

1 Spare parts list support wheels (0.082-417.0)

| POS | Description | Quantity | Unit |
|-----|----------------|----------|------|
| 10 | Support wheels | 1.000 | ST |



10 Support wheels

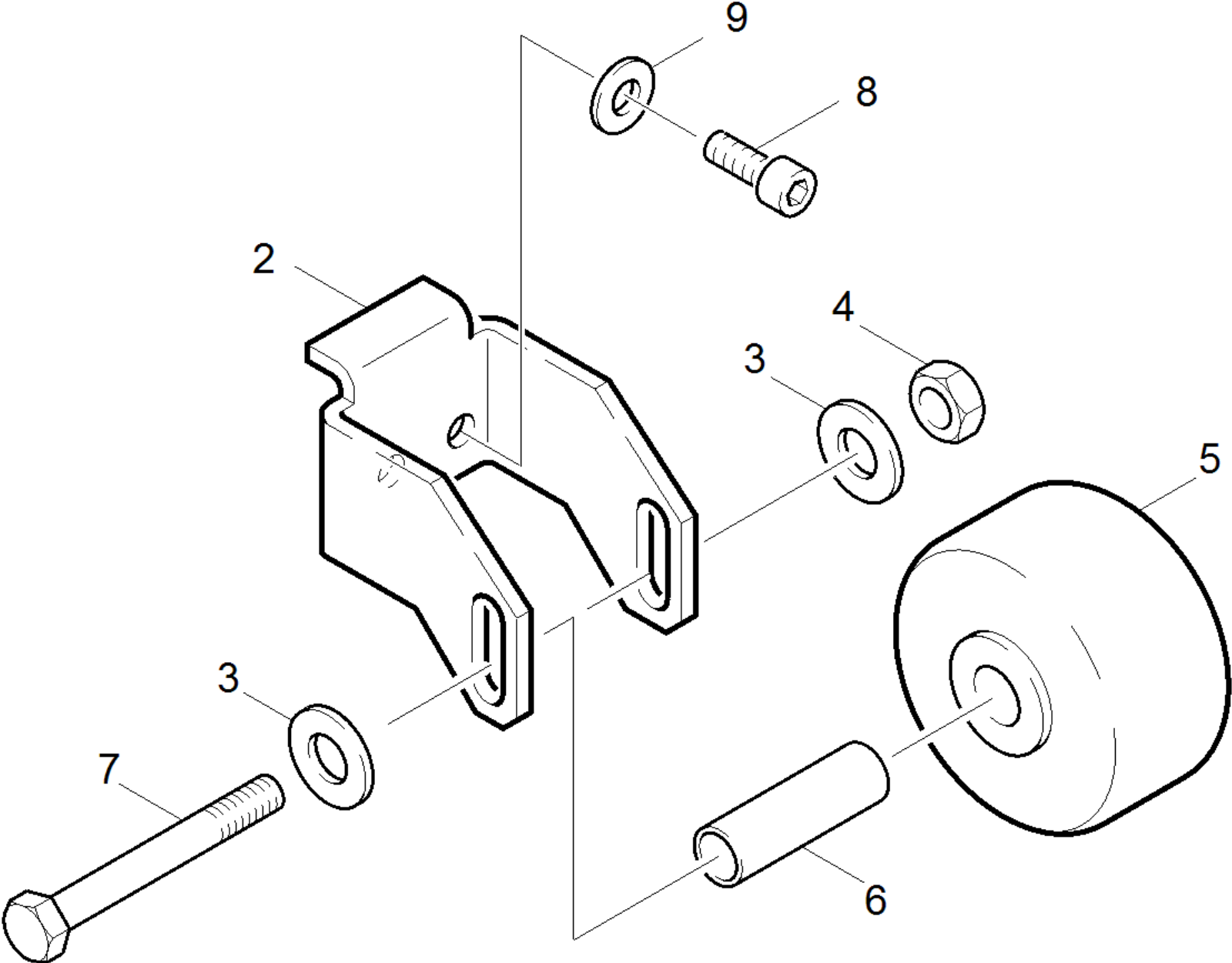
| POS | Article no. | Description | Quantity | Unit |
|------------|--------------------|----------------------------------|-----------------|-------------|
| 6 | 5.105-320.0 | Axle | 2.000 | ST |
| 4 | 7.311-422.0 | Hexagon nut M 6-1.4305 ISO 10511 | 2.000 | ST |
| 2 | 5.044-304.0 | Holder roller | 2.000 | ST |
| 8 | 7.303-037.0 | Screw M5x10 -St-P2R (In6Rd) | 4.000 | ST |
| 7 | 7.306-199.0 | Screw M 6x50-A2-70 (IN6RD) | 2.000 | ST |
| 9 | 7.312-058.0 | Washer 5 -A2 ISO 7089 | 4.000 | ST |
| 3 | 7.312-026.0 | Washer 6 -A2 ISO 7089 | 4.000 | ST |
| 5 | 6.435-401.0 | Wheel D54 | 2.000 | ST |

21 Add-on kit support wheels suction bar (2.639-561.0)

| POS | Article no. | Description | Quantity | Unit |
|-----------------------------|-------------|---------------------------------|----------|------|
| 1 | 0.082-417.0 | Spare parts list support wheels | 1.000 | ST |
| Item text2: 26395610 | | | | |

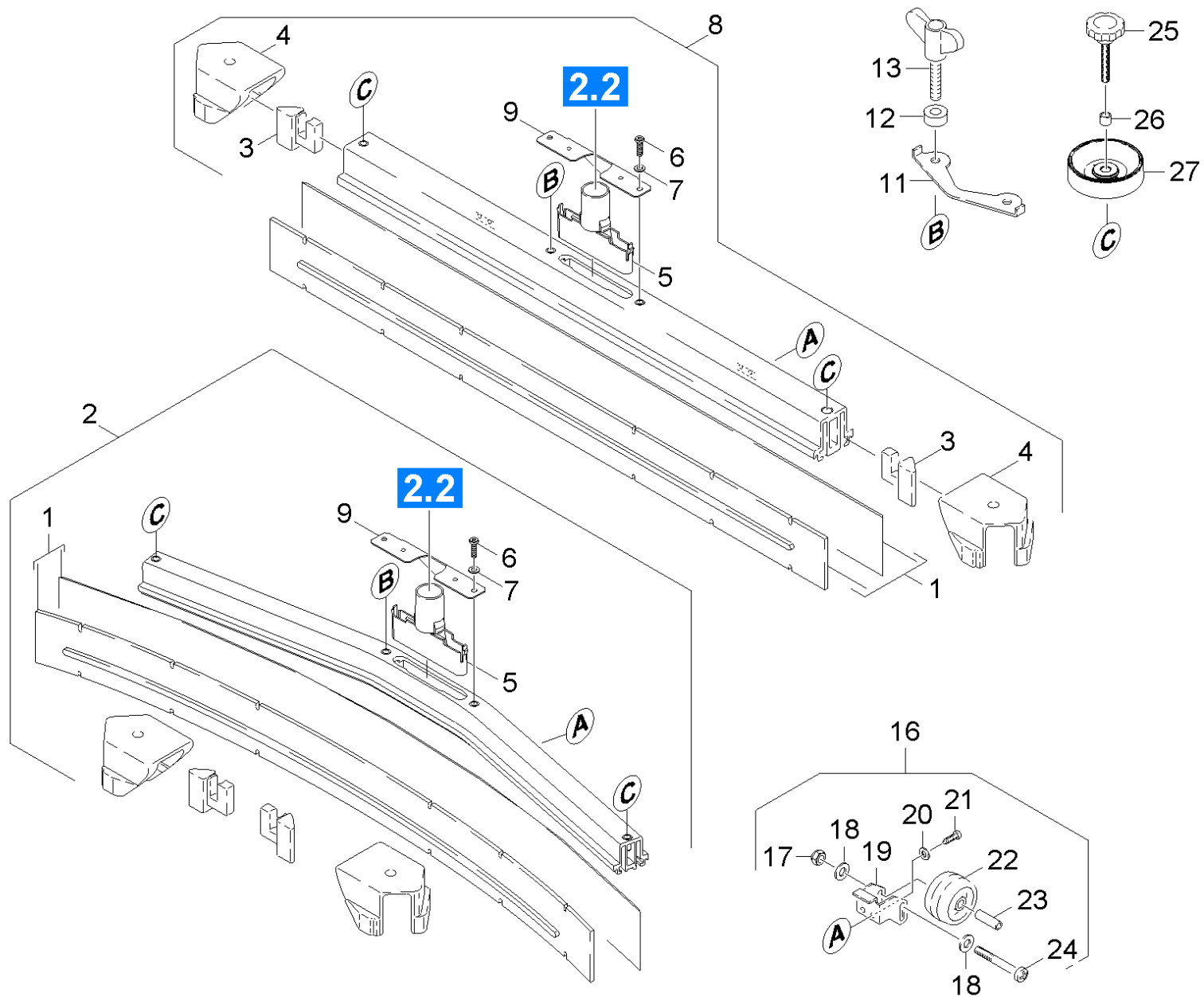
1 Spare parts list support wheels (0.082-417.0)

| POS | Description | Quantity | Unit |
|-----|----------------|----------|------|
| 10 | Support wheels | 1.000 | ST |



10 Support wheels

| POS | Article no. | Description | Quantity | Unit |
|------------|--------------------|----------------------------------|-----------------|-------------|
| 6 | 5.105-320.0 | Axle | 2.000 | ST |
| 4 | 7.311-422.0 | Hexagon nut M 6-1.4305 ISO 10511 | 2.000 | ST |
| 2 | 5.044-304.0 | Holder roller | 2.000 | ST |
| 8 | 7.303-037.0 | Screw M5x10 -St-P2R (In6Rd) | 4.000 | ST |
| 7 | 7.306-199.0 | Screw M 6x50-A2-70 (IN6RD) | 2.000 | ST |
| 9 | 7.312-058.0 | Washer 5 -A2 ISO 7089 | 4.000 | ST |
| 3 | 7.312-026.0 | Washer 6 -A2 ISO 7089 | 4.000 | ST |
| 5 | 6.435-401.0 | Wheel D54 | 2.000 | ST |



53 Suction bar

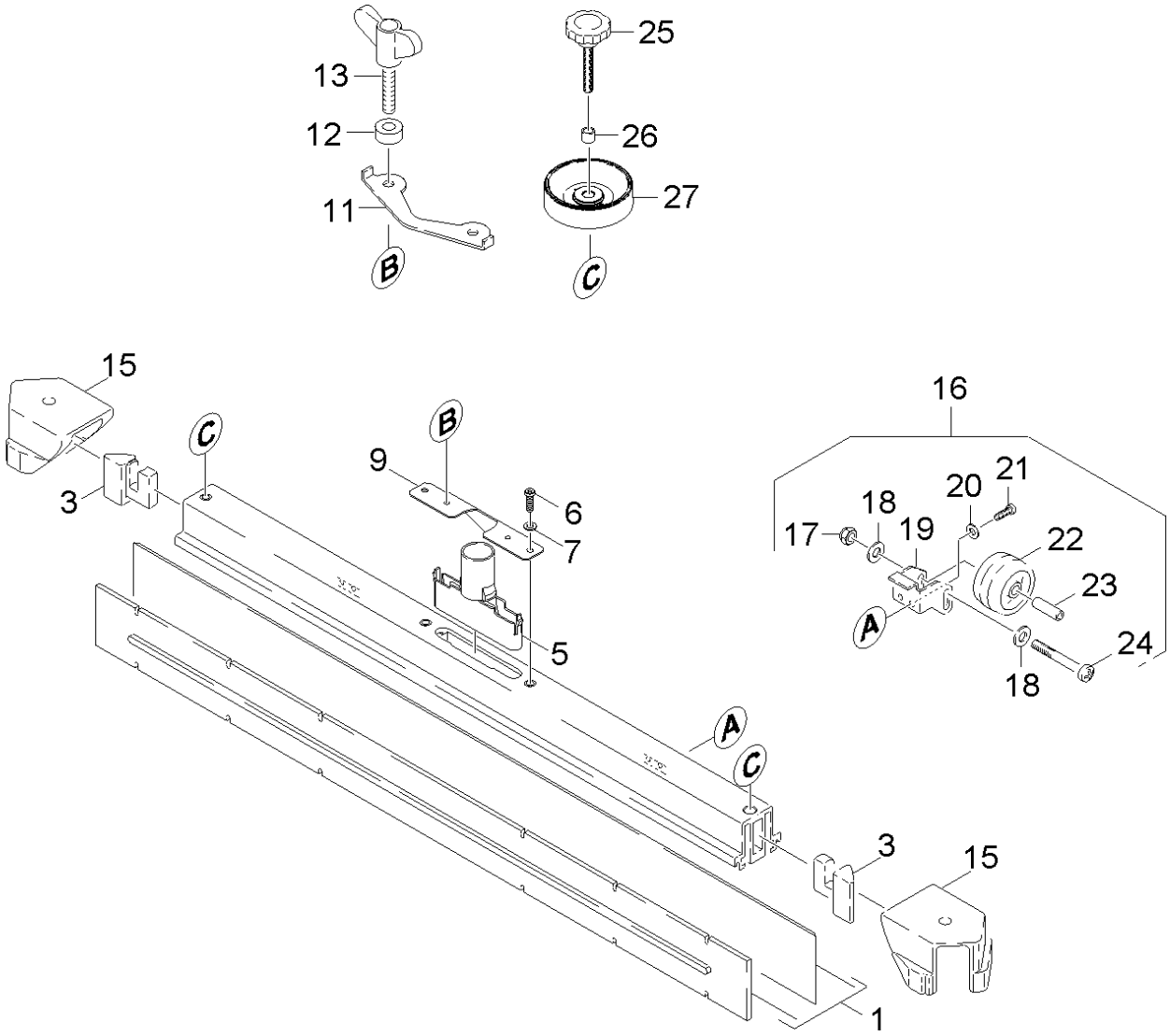
| POS | Article no. | Description | Quantity | Unit | Remark | Foot note text |
|-----|-------------|--|----------|------|--------------|------------------------------|
| 16 | 2.639-561.0 | Add-on kit support wheels suction bar | 1.000 | ST | | |
| 23 | 5.105-245.0 | Axle | 1.000 | ST | | |
| 6 | 7.306-142.0 | Cylinder head screw M 8x25-A4-70 ISO 47 | 2.000 | ST | | |
| 27 | 5.515-267.0 | Deflector roll | 2.000 | ST | | |
| 3 | 2.885-326.0 | End piece left / right spare parts set | 1.000 | ST | | |
| 4 | 2.885-294.0 | End piece left / right spare parts set | 1.000 | ST | | |
| 24 | 7.304-550.0 | Hexagonal head screw M 6x45-A4-70 ISO 4 | 2.000 | ST | | |
| 17 | 7.311-422.0 | Hexagon nut M 6-1.4305 ISO 10511 | 1.000 | ST | | |
| 19 | 5.044-304.0 | Holder roller | 2.000 | ST | | |
| 11 | 5.007-217.0 | Plate | 1.000 | ST | | |
| 1 | 6.273-206.0 | Rubber lip set anti stripe oil resistant | 1.000 | ZSA | BR/BD 90/140 | ANTI-STRIP |
| 1 | 6.273-205.0 | Rubber lip set anti stripe oil resistant | 1.000 | ZSA | BR/BD 75/140 | ANTI-STRIP |
| 1 | 6.273-209.0 | Rubber lip set oil resistant | 1.000 | ZSA | BR/BD 90/140 | OIL RESISTANT |
| 1 | 6.273-208.0 | Rubber lip set oil resistant | 1.000 | ZSA | BR/BD 75/140 | OIL RESISTANT |
| 1 | 6.273-214.0 | Rubber lip set standard | 1.000 | ZSA | BR/BD 75/140 | STANDARD |
| 1 | 6.273-215.0 | Rubber lip set standard | 1.000 | ZSA | BR/BD 90/140 | STANDARD |
| 21 | 7.303-037.0 | Screw M5x10 -St-P2R (In6Rd) | 2.000 | ST | | |
| 26 | 5.094-231.0 | Sleeve suction bar in VA | 2.000 | ST | | STAINLESS STEEL CONSTRUCTION |
| 12 | 5.112-810.0 | Sleeve VA | 2.000 | ST | (VA) | |
| 25 | 6.321-239.0 | Star grip VA Ø50x43 | 2.000 | ST | | STAINLESS STEEL CONSTRUCTION |
| 8 | 4.777-302.0 | Suction bar 940AB | 1.000 | ST | BR/BD 75/140 | |
| 8 | 4.777-303.0 | Suction bar 1060AB | 1.000 | ST | BR/BD 90/140 | |
| 2 | 4.777-312.0 | Suction bar curved 940AB | 1.000 | ST | BR/BD 75/140 | |
| 2 | 4.777-313.0 | Suction bar curved 1060AB | 1.000 | ST | BR/BD 90/140 | |
| 9 | 5.100-559.0 | Suction bar support plate | 1.000 | ST | | |
| 5 | 5.033-601.0 | Suction nipple | 1.000 | ST | | GREY |
| 20 | 7.312-052.0 | Washer 5 -A2 ISO 7089 | 2.000 | ST | | |
| 18 | 7.312-026.0 | Washer 6 -A2 ISO 7089 | 2.000 | ST | | |
| 7 | 7.312-017.0 | Washer 8-A2 ISO 7089 | 2.000 | ST | | |
| 22 | 6.435-401.0 | Wheel D54 | 2.000 | ST | | |
| 13 | 5.305-296.0 | Wing screw M8x40 VA | 2.000 | ST | (VA) | |

8 Suction bar 940AB (4.777-302.0)

| POS | Article no. | Description | Quantity | Unit |
|------------|--------------------|------------------------------------|-----------------|-------------|
| 600 | 5.971-949.0 | Spare parts list suction bar 940AB | 1.000 | ST |

600 Spare parts list suction bar 940AB (5.971-949.0)

| POS | Description | Quantity | Unit |
|------------|----------------------------|-----------------|-------------|
| 10 | Suction bar straight 940mm | 1.000 | ST |



10 Suction bar straight 940mm

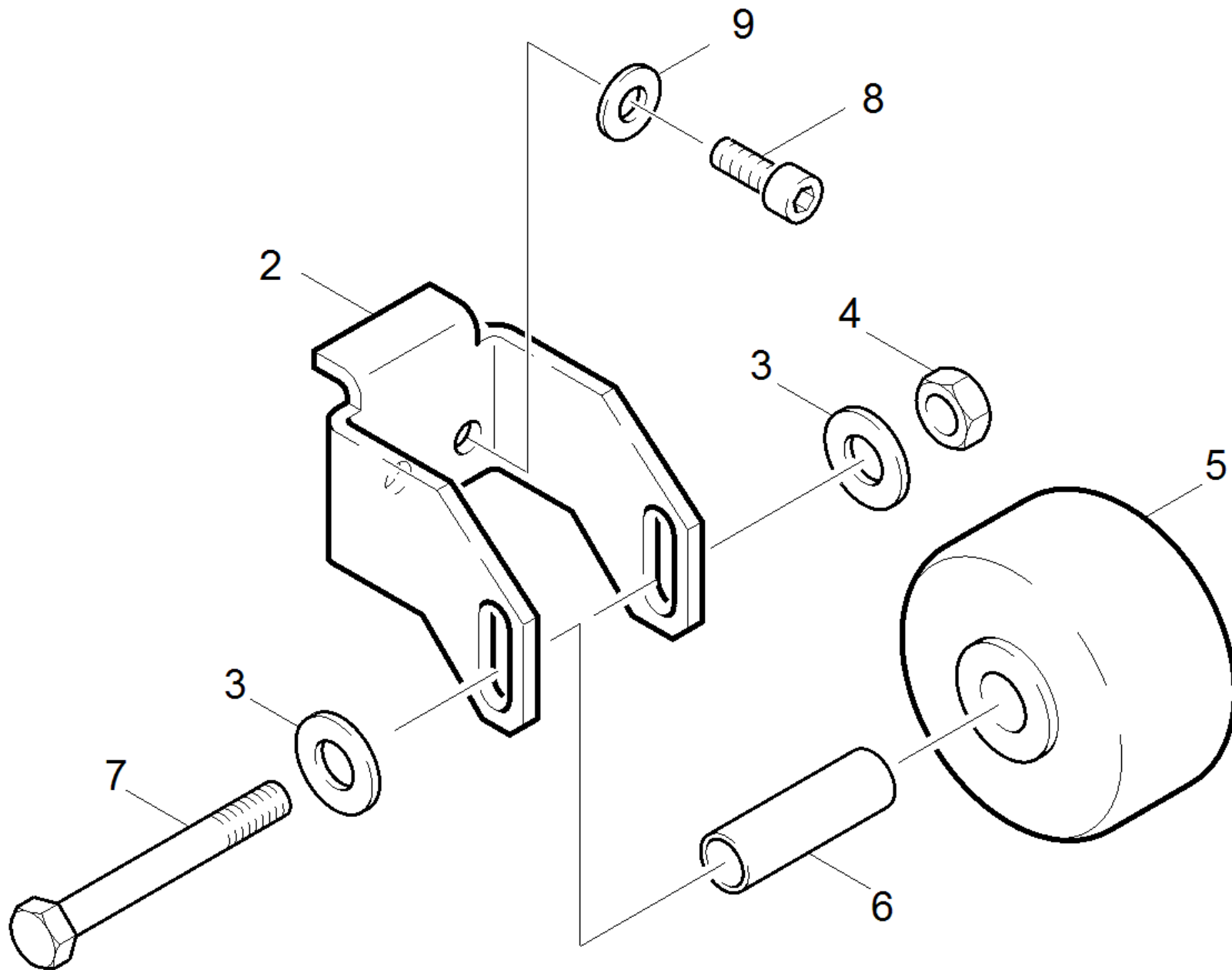
| POS | Article no. | Description | Quantity | Unit | Remark | Foot note text |
|-----|-------------|--|----------|------|--------|------------------------------|
| 16 | 2.639-561.0 | Add-on kit support wheels suction bar | 1.000 | ST | | |
| 23 | 5.105-245.0 | Axle | 1.000 | ST | | |
| 6 | 7.306-142.0 | Cylinder head screw M 8x25-A4-70 ISO 47 | 2.000 | ST | | |
| 27 | 5.515-267.0 | Deflector roll | 2.000 | ST | | |
| 15 | 2.885-294.0 | End piece left / right spare parts set | 1.000 | ST | | |
| 3 | 2.885-326.0 | End piece left / right spare parts set | 1.000 | ST | | |
| 24 | 7.304-550.0 | Hexagonal head screw M 6x45-A4-70 ISO 4 | 2.000 | ST | | |
| 17 | 7.311-422.0 | Hexagon nut M 6-1.4305 ISO 10511 | 1.000 | ST | | |
| 19 | 5.044-304.0 | Holder roller | 2.000 | ST | | |
| 11 | 5.007-217.0 | Plate | 1.000 | ST | | |
| 1 | 6.273-205.0 | Rubber lip set anti stripe oil resistant | 1.000 | ZSA | | ANTI-STRIP, OIL RESISTANT |
| 1 | 6.273-208.0 | Rubber lip set oil resistant | 1.000 | ZSA | | OIL RESISTANT |
| 1 | 6.273-214.0 | Rubber lip set standard | 1.000 | ZSA | | STANDARD |
| 21 | 7.303-037.0 | Screw M5x10 -St-P2R (In6Rd) | 2.000 | ST | | |
| 26 | 5.094-231.0 | Sleeve suction bar in VA | 2.000 | ST | | STAINLESS STEEL CONSTRUCTION |
| 12 | 5.112-810.0 | Sleeve VA | 2.000 | ST | (VA) | |
| 25 | 6.321-239.0 | Star grip VA Ø50x43 | 2.000 | ST | | STAINLESS STEEL CONSTRUCTION |
| 9 | 5.100-559.0 | Suction bar support plate | 1.000 | ST | | |
| 5 | 5.033-601.0 | Suction nipple | 1.000 | ST | | GREY |
| 20 | 7.312-052.0 | Washer 5 -A2 ISO 7089 | 2.000 | ST | | |
| 18 | 7.312-026.0 | Washer 6 -A2 ISO 7089 | 2.000 | ST | | |
| 7 | 7.312-017.0 | Washer 8-A2 ISO 7089 | 2.000 | ST | | |
| 22 | 6.435-401.0 | Wheel D54 | 2.000 | ST | | |
| 13 | 5.305-296.0 | Wing screw M8x40 VA | 2.000 | ST | (VA) | |

16 Add-on kit support wheels suction bar (2.639-561.0)

| POS | Article no. | Description | Quantity | Unit |
|-----------------------------|-------------|---------------------------------|----------|------|
| 1 | 0.082-417.0 | Spare parts list support wheels | 1.000 | ST |
| Item text2: 26395610 | | | | |

1 Spare parts list support wheels (0.082-417.0)

| POS | Description | Quantity | Unit |
|-----|----------------|----------|------|
| 10 | Support wheels | 1.000 | ST |



10 Support wheels

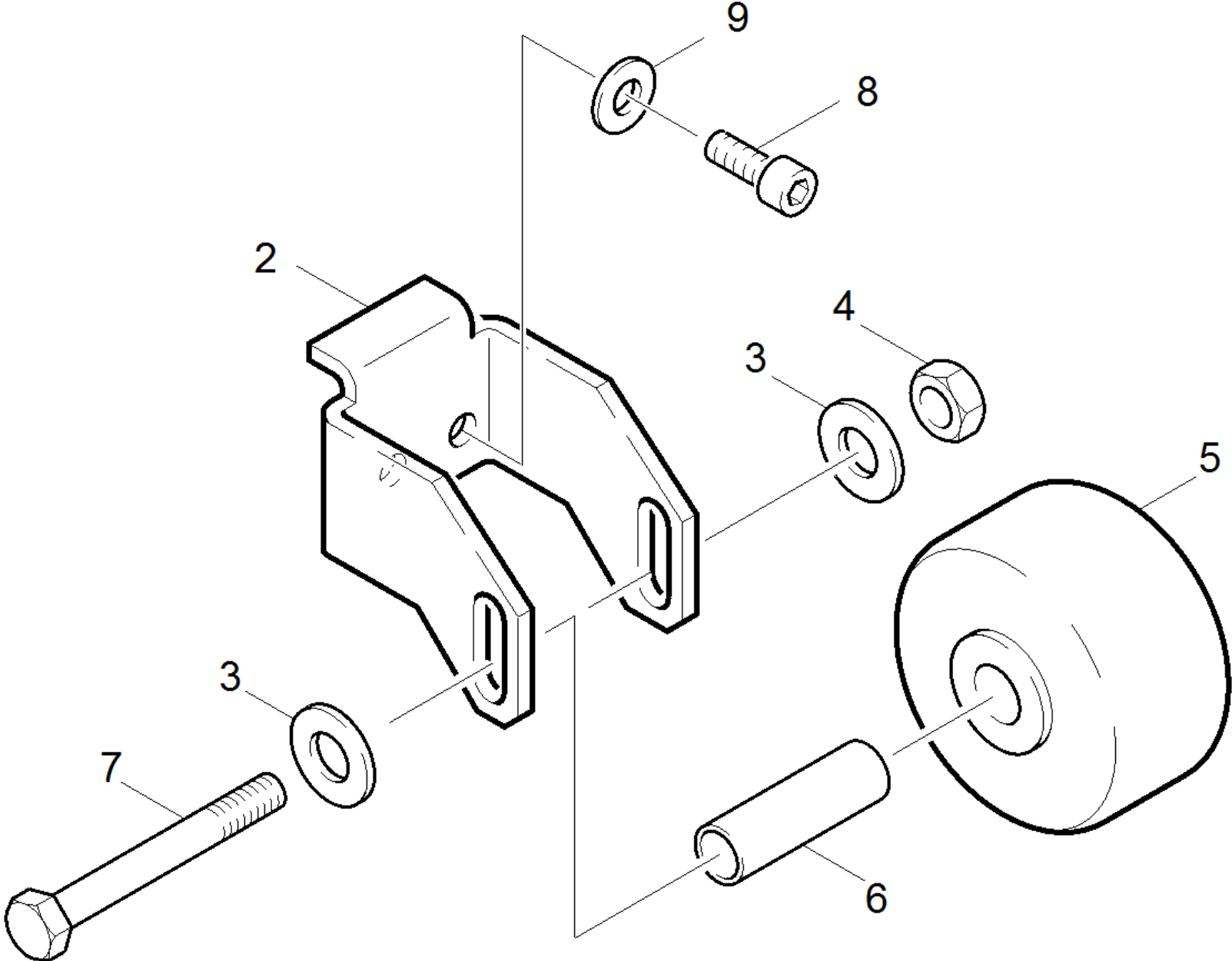
| POS | Article no. | Description | Quantity | Unit |
|------------|--------------------|----------------------------------|-----------------|-------------|
| 6 | 5.105-320.0 | Axle | 2.000 | ST |
| 4 | 7.311-422.0 | Hexagon nut M 6-1.4305 ISO 10511 | 2.000 | ST |
| 2 | 5.044-304.0 | Holder roller | 2.000 | ST |
| 8 | 7.303-037.0 | Screw M5x10 -St-P2R (In6Rd) | 4.000 | ST |
| 7 | 7.306-199.0 | Screw M 6x50-A2-70 (IN6RD) | 2.000 | ST |
| 9 | 7.312-058.0 | Washer 5 -A2 ISO 7089 | 4.000 | ST |
| 3 | 7.312-026.0 | Washer 6 -A2 ISO 7089 | 4.000 | ST |
| 5 | 6.435-401.0 | Wheel D54 | 2.000 | ST |

16 Add-on kit support wheels suction bar (2.639-561.0)

| POS | Article no. | Description | Quantity | Unit |
|-----|----------------------|---------------------------------|----------|------|
| 1 | 0.082-417.0 | Spare parts list support wheels | 1.000 | ST |
| | Item text2: 26395610 | | | |

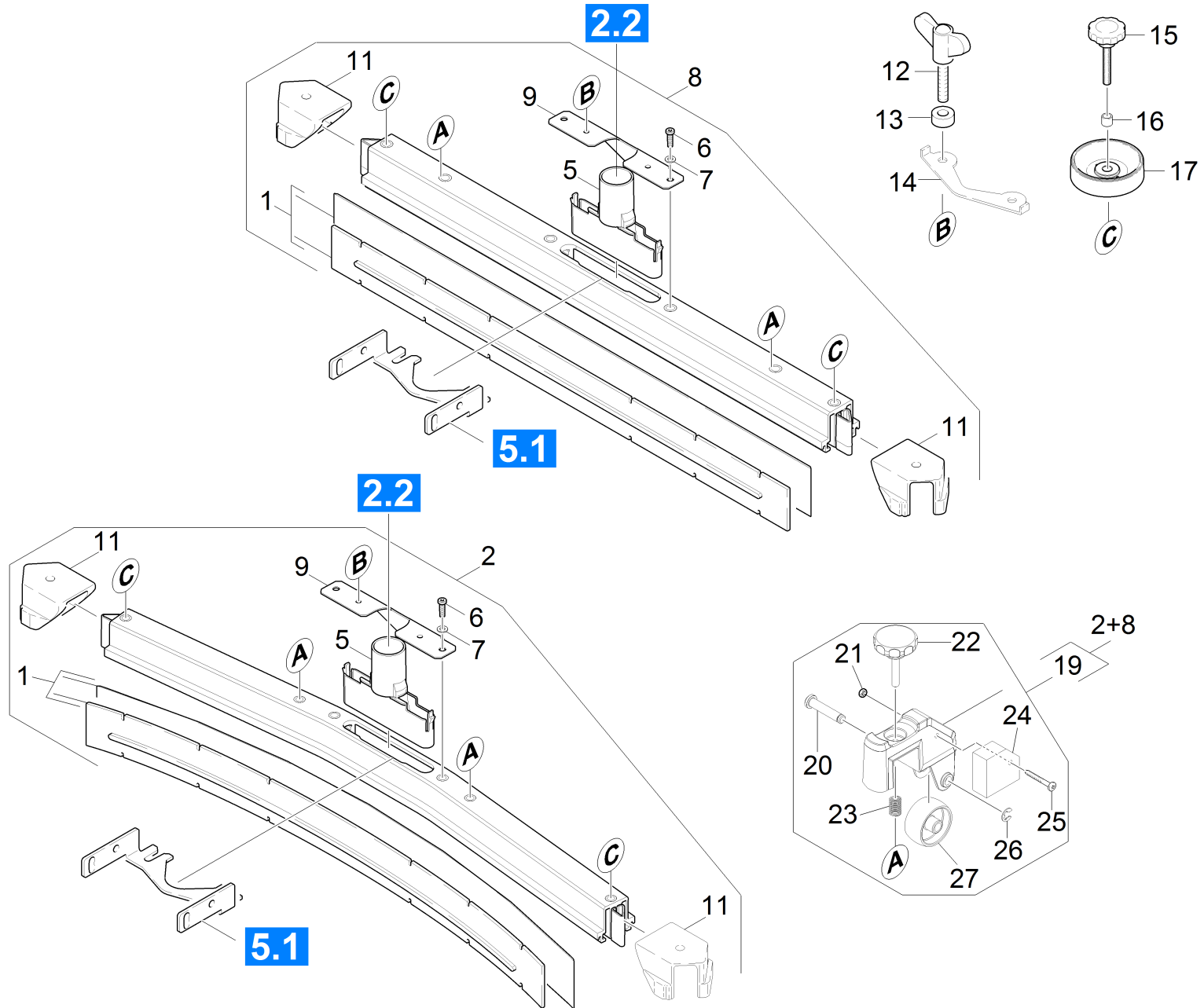
1 Spare parts list support wheels (0.082-417.0)

| POS | Description | Quantity | Unit |
|------------|--------------------|-----------------|-------------|
| 10 | Support wheels | 1.000 | ST |



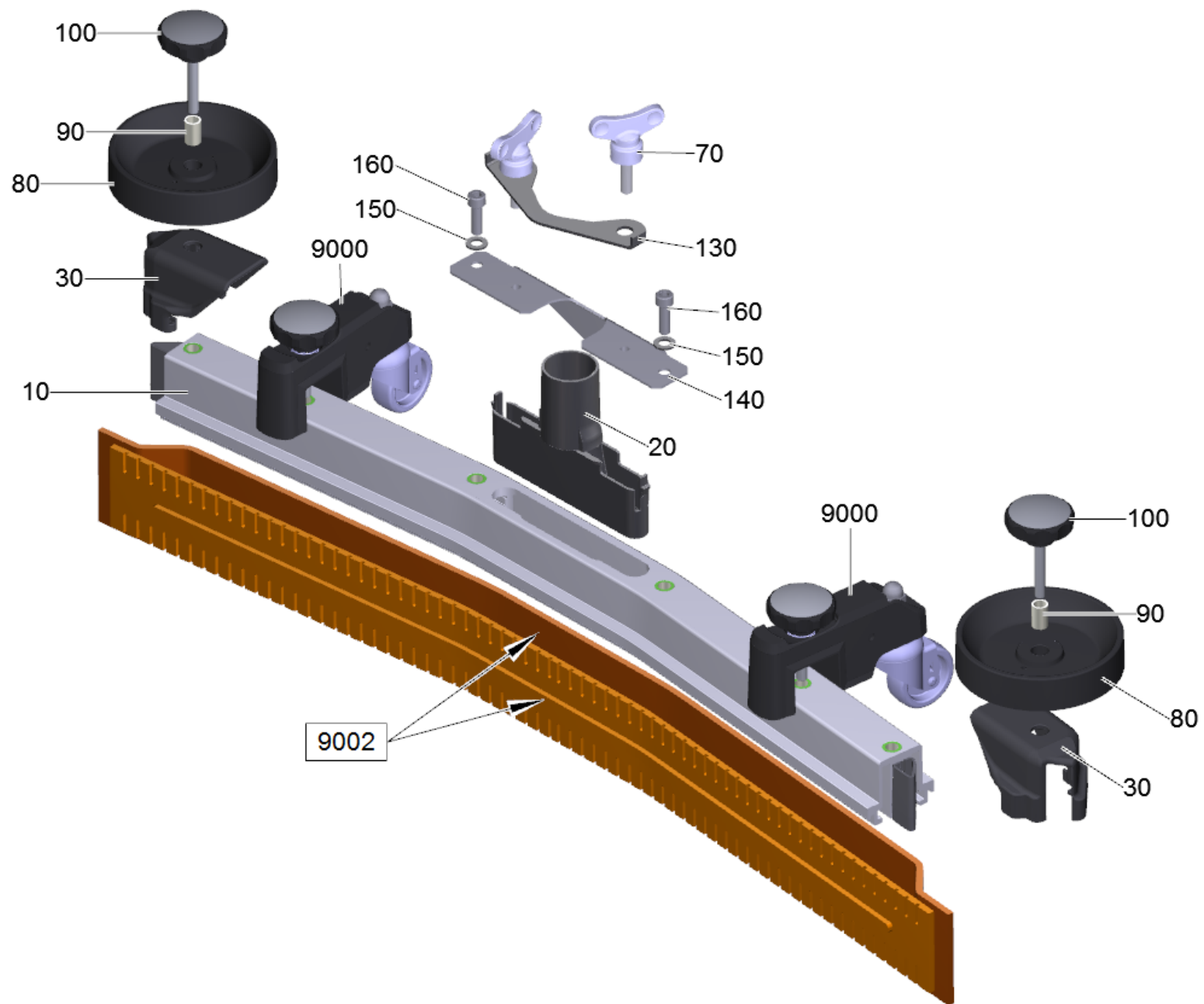
10 Support wheels

| POS | Article no. | Description | Quantity | Unit |
|-----|-------------|----------------------------------|----------|------|
| 6 | 5.105-320.0 | Axle | 2.000 | ST |
| 4 | 7.311-422.0 | Hexagon nut M 6-1.4305 ISO 10511 | 2.000 | ST |
| 2 | 5.044-304.0 | Holder roller | 2.000 | ST |
| 8 | 7.303-037.0 | Screw M5x10 -St-P2R (In6Rd) | 4.000 | ST |
| 7 | 7.306-199.0 | Screw M 6x50-A2-70 (IN6RD) | 2.000 | ST |
| 9 | 7.312-058.0 | Washer 5 -A2 ISO 7089 | 4.000 | ST |
| 3 | 7.312-026.0 | Washer 6 -A2 ISO 7089 | 4.000 | ST |
| 5 | 6.435-401.0 | Wheel D54 | 2.000 | ST |



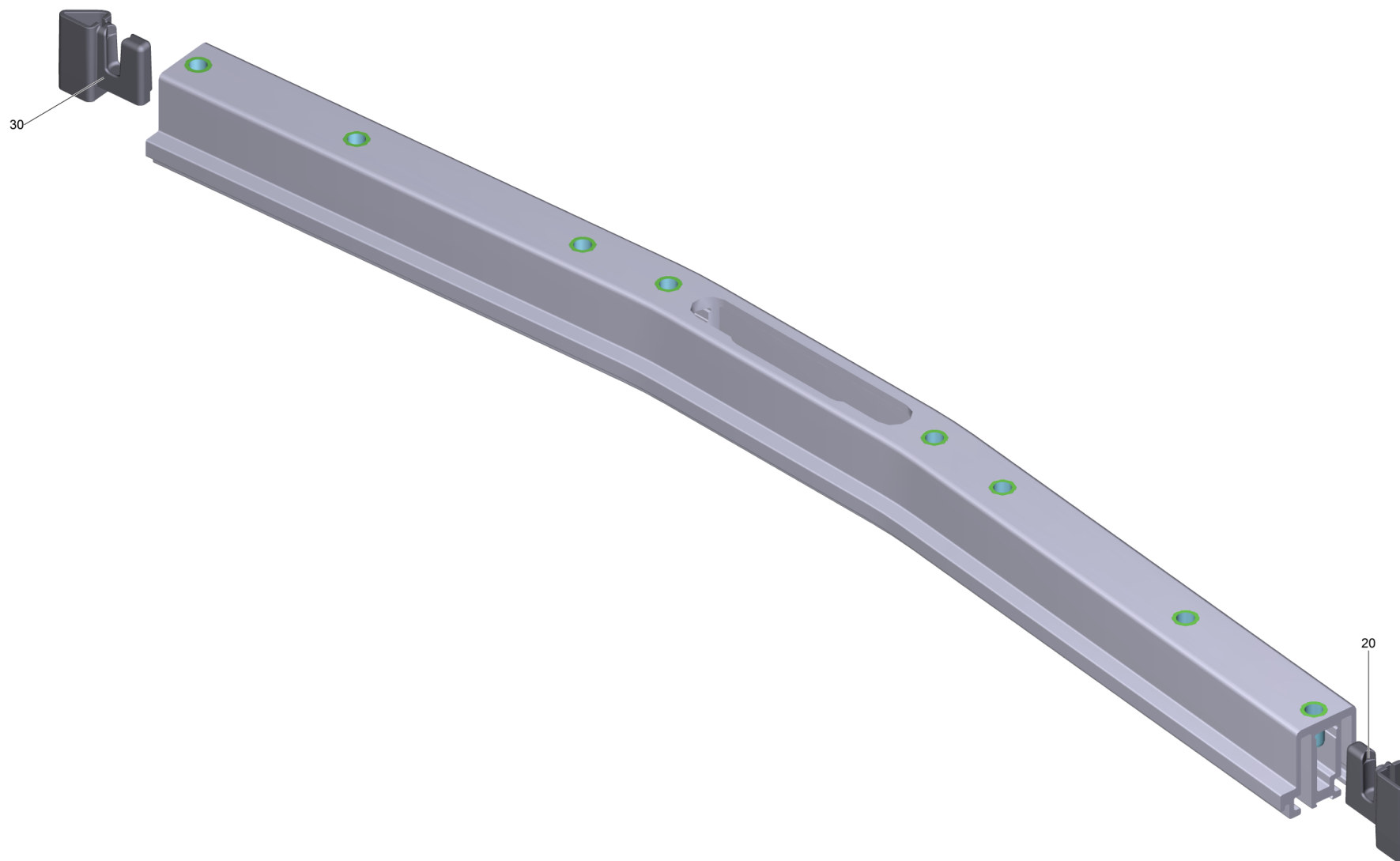
54 Suction bar

| POS | Article no. | Description | Quantity | Unit | Foot note text |
|-----|-------------|--|----------|------|---------------------------|
| 19 | 2.640-023.0 | Add-on kit rollers suction bar | 1.000 | ST | |
| 1 | 6.273-293.0 | BLADES FOR TEXTURED FLOORS | 1.000 | ST | CLOSED, OIL RESISTANT |
| 20 | 5.317-781.0 | Bolt roller | 2.000 | ST | |
| 6 | 7.306-142.0 | Cylinder head screw M 8x25-A4-70 ISO 47 | 2.000 | ST | |
| 17 | 5.515-346.0 | Deflector roll suction bar D120 | 2.000 | ST | |
| 11 | 2.885-294.0 | End piece left / right spare parts set | 1.000 | ST | |
| 21 | 7.311-431.0 | Hexagon nut M 5-1.4305 DIN 985 | 2.000 | ST | |
| 26 | 7.343-303.0 | Locking ring 8-A2 DIN 6799 | 2.000 | ST | |
| 14 | 5.007-217.0 | Plate | 2.000 | ST | |
| 23 | 5.332-504.0 | Pressure spring | 2.000 | ST | |
| 19 | 4.035-339.0 | Roller suction bar | 2.000 | ST | |
| 1 | 6.273-206.0 | Rubber lip set anti stripe oil resistant | 1.000 | ZSA | ANTI-STRIP, OIL RESISTANT |
| 1 | 6.273-209.0 | Rubber lip set oil resistant | 1.000 | ZSA | OIL RESISTANT |
| 1 | 6.273-215.0 | Rubber lip set standard | 1.000 | ZSA | STANDARD |
| 25 | 7.306-185.0 | Screw M5x 35-A2-70 (IN6RD) | 2.000 | ST | |
| 16 | 5.094-231.0 | Sleeve suction bar in VA | 2.000 | ST | |
| 13 | 5.112-810.0 | Sleeve VA | 2.000 | ST | |
| 15 | 6.321-239.0 | Star grip VA Ø50x43 | 2.000 | ST | |
| 22 | 6.321-240.0 | Star grip with inscription VA Ø50x43 | 2.000 | ST | |
| 24 | 7.777-999.0 | Stockpiling discontinued | 2.000 | ST | |
| 2 | 4.777-413.0 | Suction bar curved 1060mm | 1.000 | ST | |
| 8 | 4.777-403.0 | Suction bar straight 1060mm | 1.000 | ST | |
| 9 | 5.100-559.0 | Suction bar support plate | 1.000 | ST | |
| 5 | 5.033-601.0 | Suction nipple | 1.000 | ST | |
| 7 | 7.312-017.0 | Washer 8-A2 ISO 7089 | 2.000 | ST | |
| 27 | 6.435-401.0 | Wheel D54 | 2.000 | ST | |
| 12 | 5.305-296.0 | Wing screw M8x40 VA | 2.000 | ST | |



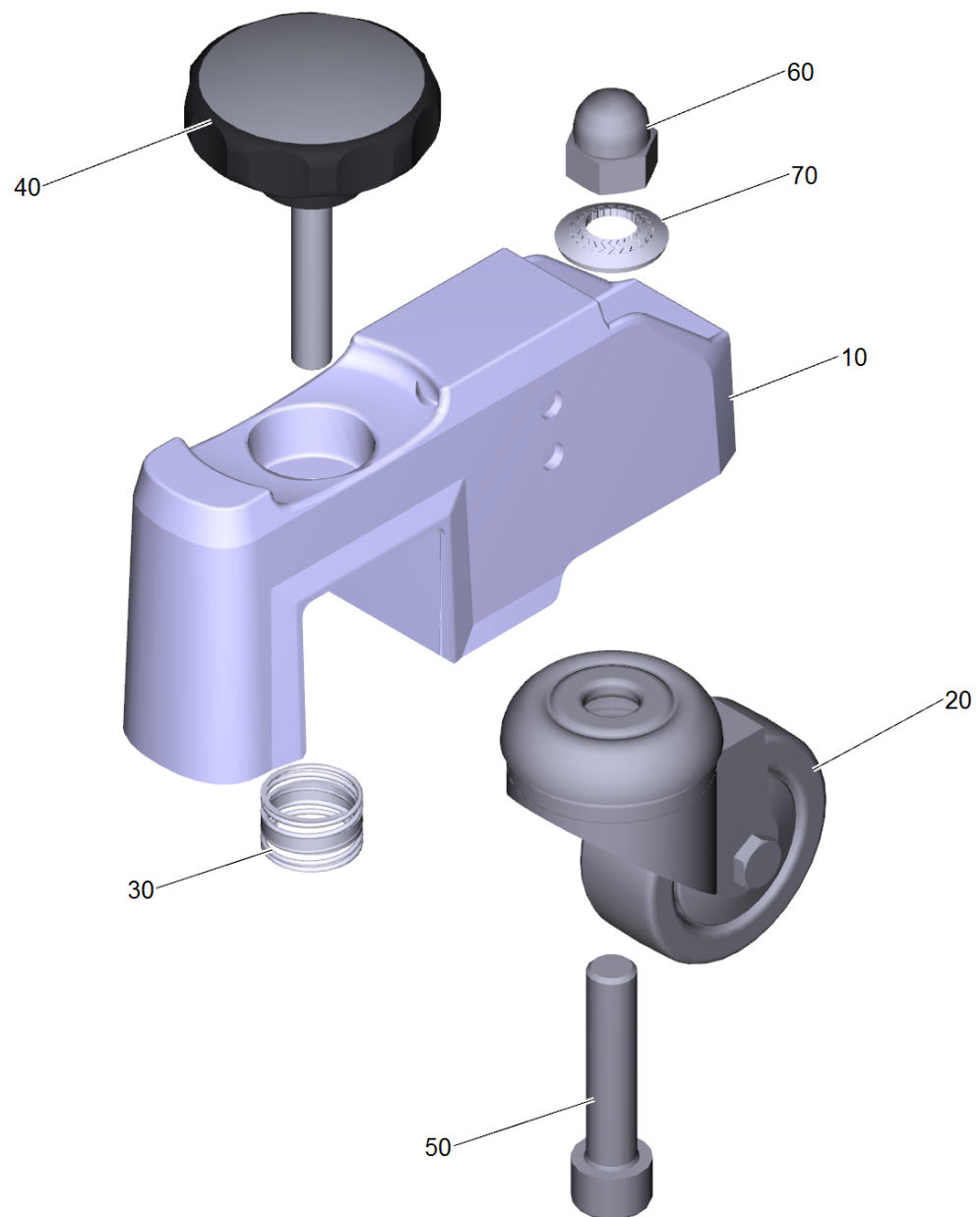
2 Suction bar curved 1060mm (4.777-413.0)

| POS | Article no. | Description | Quantity | Unit | Foot note text |
|------|-------------|--|----------|------|----------------|
| 9002 | 6.273-293.0 | BLADES FOR TEXTURED FLOORS | 1.000 | ST | |
| 9000 | 4.035-281.0 | Conversion kit support roller deep | 2.000 | ST | VERSION 2 |
| 160 | 7.306-142.0 | Cylinder head screw M 8x25-A4-70 ISO 47 | 2.000 | ST | |
| 80 | 5.515-346.0 | Deflector roll suction bar D120 | 2.000 | ST | |
| 30 | 2.885-294.0 | End piece left / right spare parts set | 1.000 | ST | |
| 130 | 5.007-217.0 | Plate | 1.000 | ST | |
| 9000 | 4.035-339.0 | Roller suction bar | 2.000 | ST | VERSION 1 |
| 9002 | 6.273-206.0 | Rubber lip set anti stripe oil resistant | 1.000 | ZSA | |
| 9002 | 6.273-209.0 | Rubber lip set oil resistant | 1.000 | ZSA | |
| 90 | 5.094-231.0 | Sleeve suction bar in VA | 2.000 | ST | |
| 100 | 6.321-243.0 | Star grip stainless steel D50x48 | 2.000 | ST | |
| 10 | | Suction bar pre-assembled curved 1060mm | 1.000 | ST | |
| 140 | 5.100-559.0 | Suction bar support plate | 1.000 | ST | |
| 20 | 5.033-601.0 | Suction nipple | 1.000 | ST | |
| 150 | 7.312-017.0 | Washer 8-A2 ISO 7089 | 2.000 | ST | |
| 70 | 5.305-008.0 | Wing screw M8x30 VA | 2.000 | ST | |



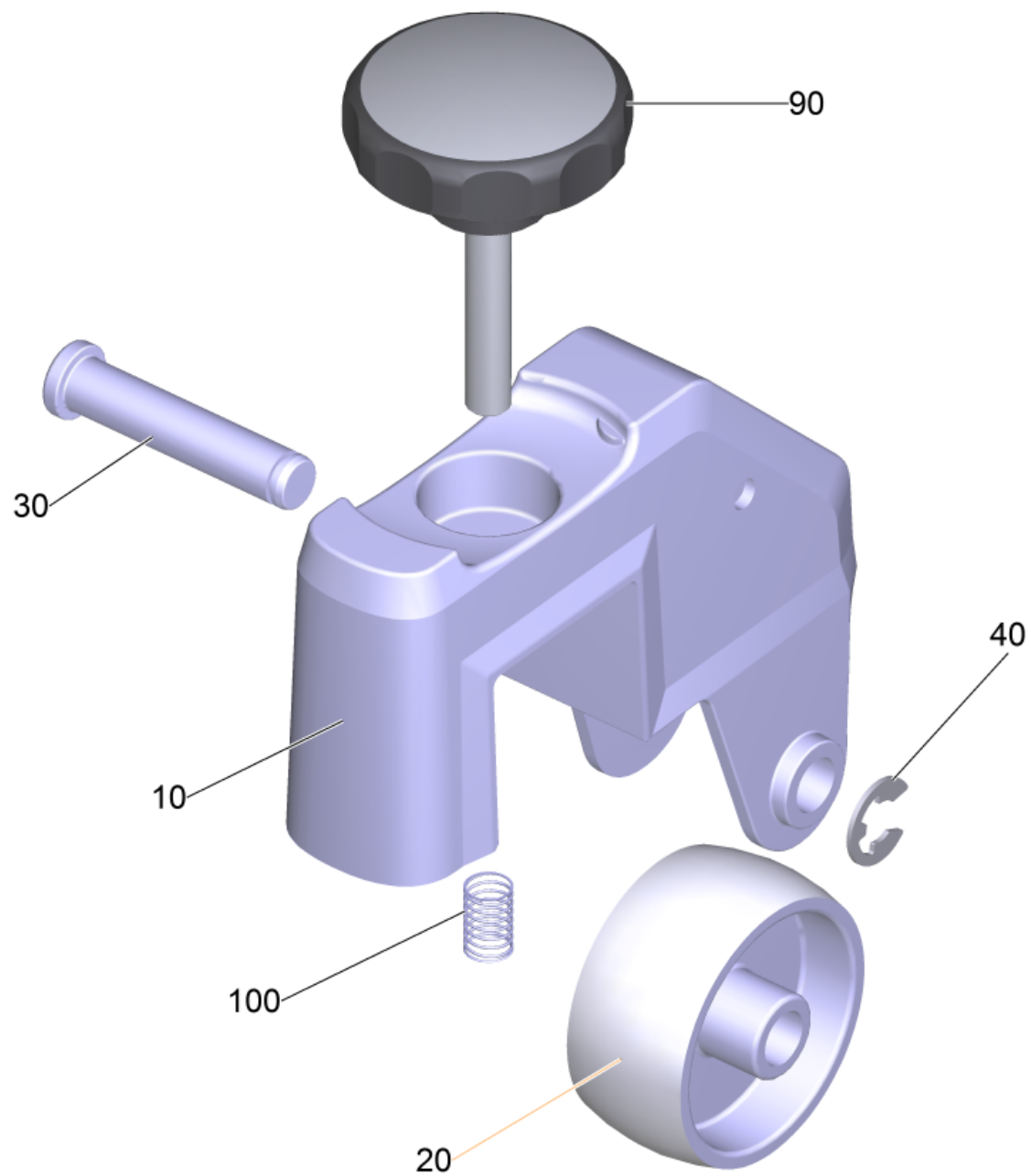
10 Suction bar pre-assembled curved 1060mm

| POS | Article no. | Description | Quantity | Unit |
|------------|--------------------|------------------------|-----------------|-------------|
| 20 | 5.033-578.0 | End piece inside left | 1.000 | ST |
| 30 | 5.033-579.0 | End piece inside right | 1.000 | ST |



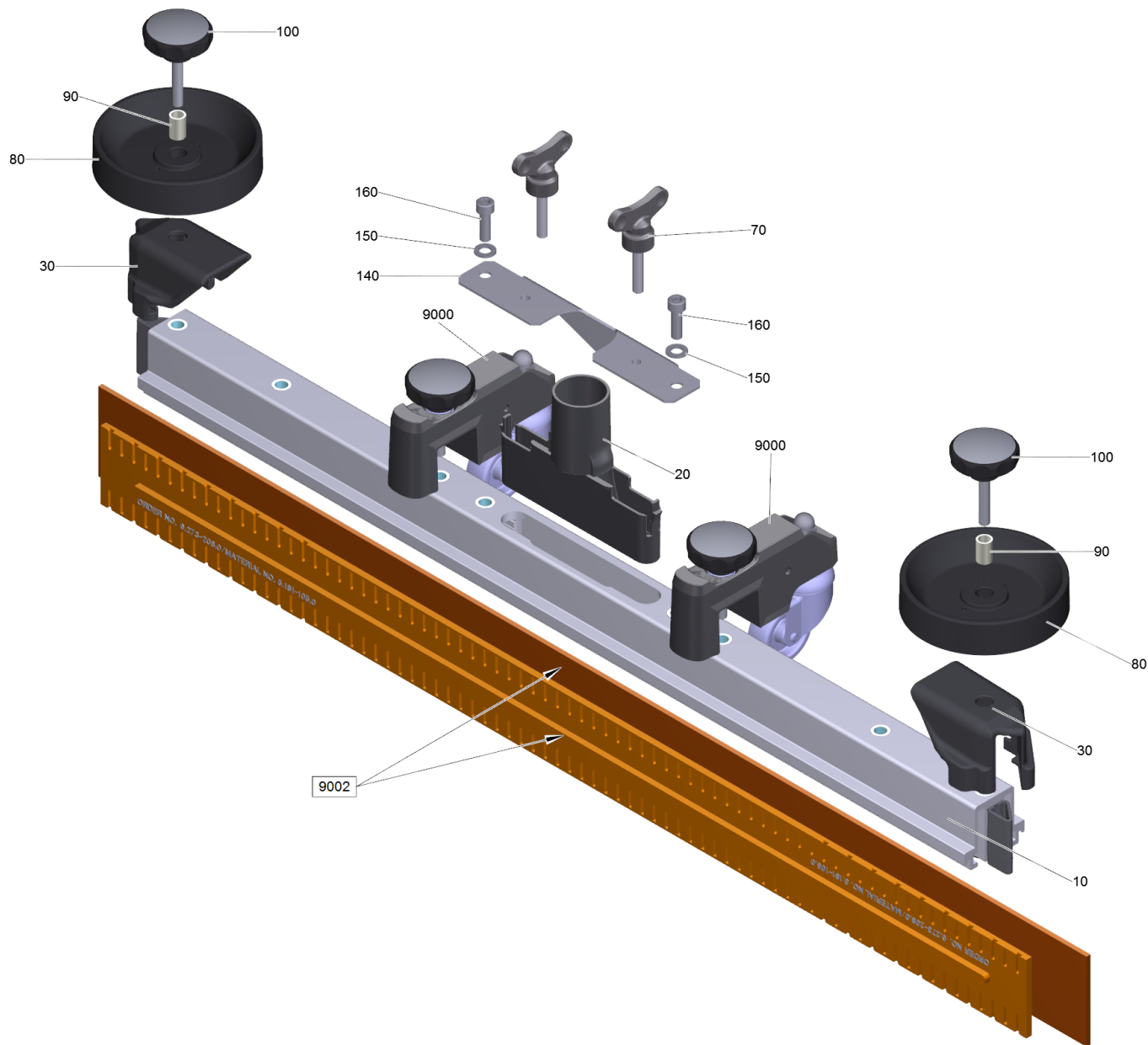
9000 Conversion kit support roller deep (4.035-281.0)

| POS | Article no. | Description | Quantity | Unit |
|------------|--------------------|--|-----------------|-------------|
| 60 | 7.311-382.0 | Cap nut M10-6-A3E DIN 1587 | 1.000 | ST |
| 20 | 6.435-179.0 | Castor for thread deflector | 1.000 | ST |
| 50 | 7.306-068.0 | Cylinder head screw M10x45-8.8-A2K DIN | 1.000 | ST |
| 10 | 5.101-626.0 | Housing with additional weight | 1.000 | ST |
| 30 | 5.332-554.0 | Pressure spring | 1.000 | ST |
| 70 | 6.996-526.0 | Serrated locking washer d.10 | 1.000 | ST |
| 40 | 6.321-240.0 | Star grip with inscription VA Ø50x43 | 1.000 | ST |



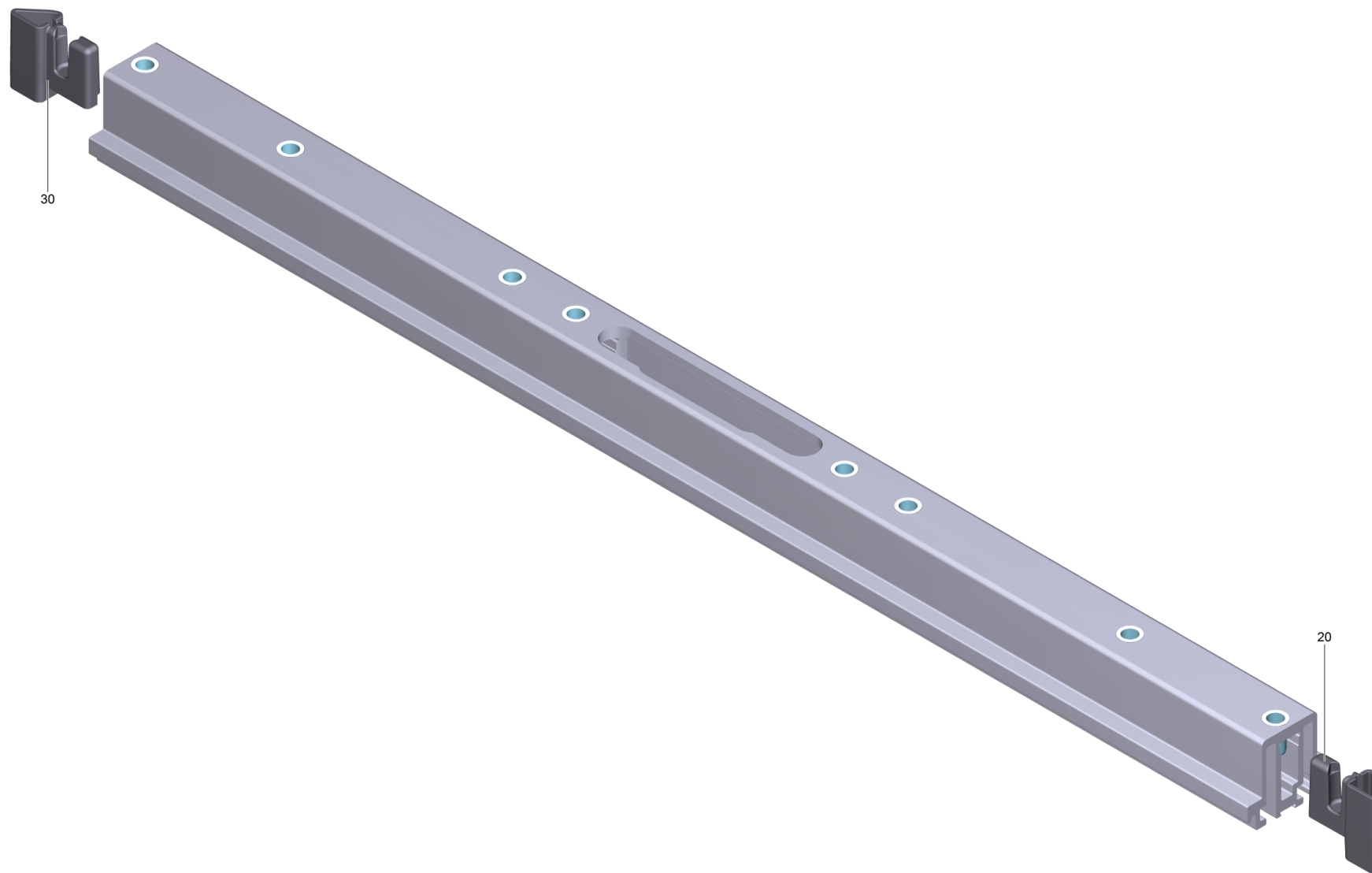
9000 Roller suction bar (4.035-339.0)

| POS | Article no. | Description | Quantity | Unit |
|------------|--------------------|--------------------------------------|-----------------|-------------|
| 30 | 5.317-781.0 | Bolt roller | 1.000 | ST |
| 40 | 7.343-303.0 | Locking ring 8-A2 DIN 6799 | 1.000 | ST |
| 100 | 5.332-504.0 | Pressure spring | 1.000 | ST |
| 10 | 5.101-139.0 | Roller holder weight | 1.000 | ST |
| 90 | 6.321-240.0 | Star grip with inscription VA Ø50x43 | 1.000 | ST |
| 20 | 6.435-401.0 | Wheel D54 | 1.000 | ST |



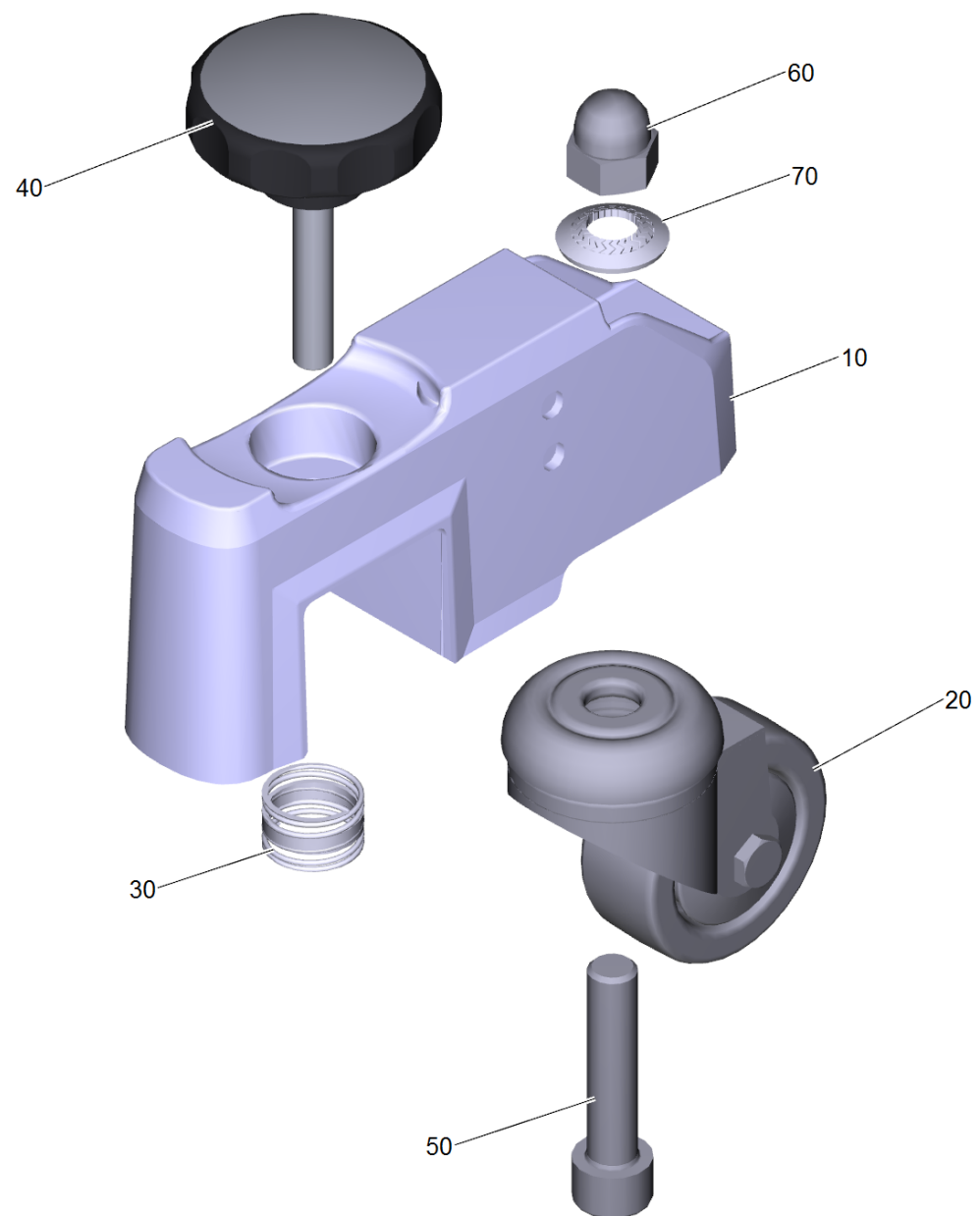
8 Suction bar straight 1060mm (4.777-403.0)

| POS | Article no. | Description | Quantity | Unit | Foot note text |
|------|-------------|--|----------|------|----------------|
| 9002 | 6.273-293.0 | BLADES FOR TEXTURED FLOORS | 1.000 | ST | |
| 9000 | 4.035-281.0 | Conversion kit support roller deep | 2.000 | ST | VERSION 2 |
| 160 | 7.306-142.0 | Cylinder head screw M 8x25-A4-70 ISO 47 | 2.000 | ST | |
| 80 | 5.515-346.0 | Deflector roll suction bar D120 | 2.000 | ST | |
| 30 | 2.885-294.0 | End piece left / right spare parts set | 1.000 | ST | |
| 9000 | 4.035-339.0 | Roller suction bar | 2.000 | ST | VERSION 1 |
| 9002 | 6.273-206.0 | Rubber lip set anti stripe oil resistant | 1.000 | ZSA | |
| 9002 | 6.273-209.0 | Rubber lip set oil resistant | 1.000 | ZSA | |
| 90 | 5.094-231.0 | Sleeve suction bar in VA | 2.000 | ST | |
| 100 | 6.321-243.0 | Star grip stainless steel D50x48 | 2.000 | ST | |
| 10 | | Suction bar pre-assembled straight 1060m | 1.000 | ST | |
| 140 | 5.100-559.0 | Suction bar support plate | 1.000 | ST | |
| 20 | 5.033-601.0 | Suction nipple | 1.000 | ST | |
| 150 | 7.312-017.0 | Washer 8-A2 ISO 7089 | 2.000 | ST | |
| 70 | 5.305-008.0 | Wing screw M8x30 VA | 2.000 | ST | |



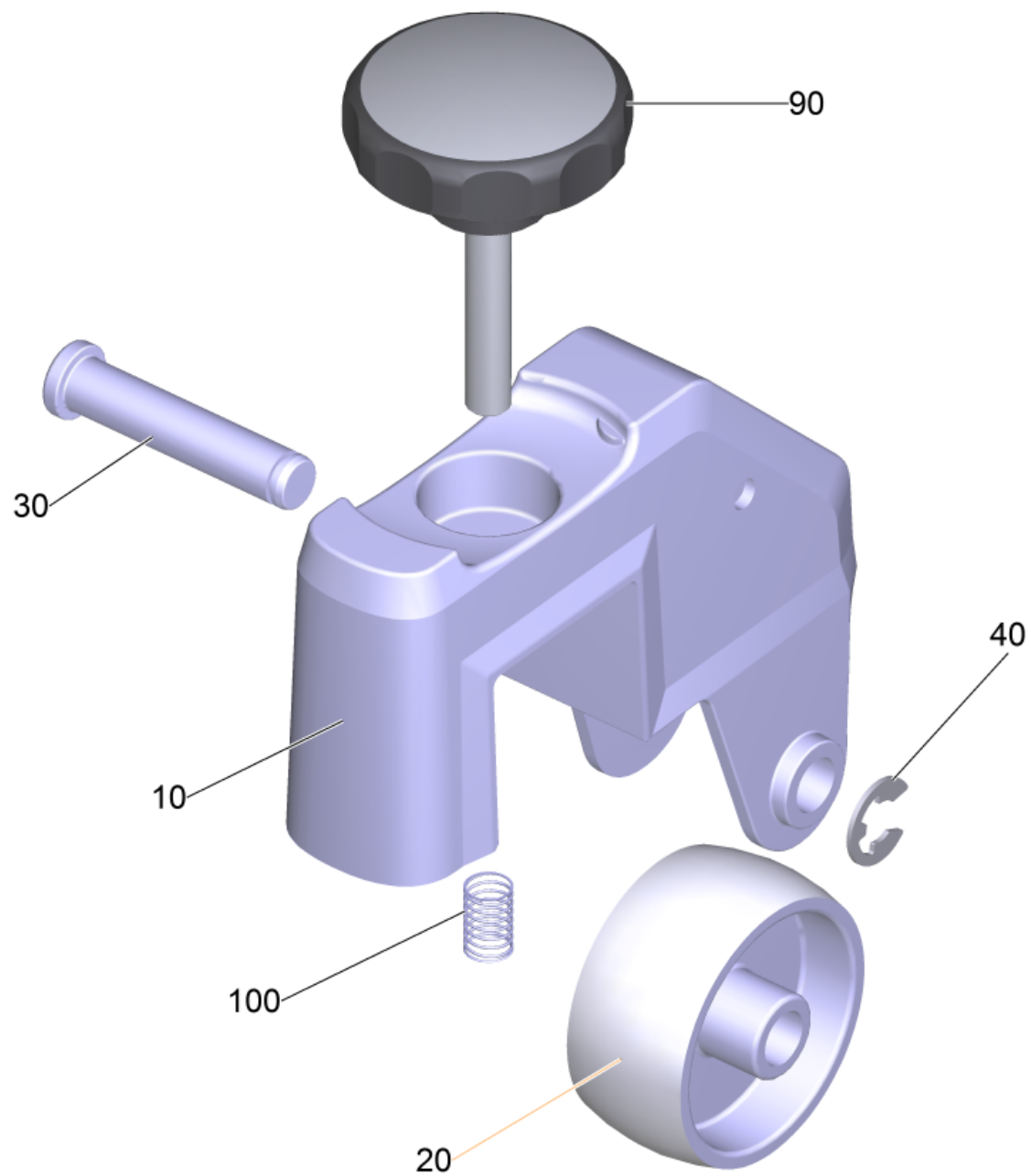
10 Suction bar pre-assembled straight 1060m

| POS | Article no. | Description | Quantity | Unit |
|------------|--------------------|------------------------|-----------------|-------------|
| 20 | 5.033-578.0 | End piece inside left | 1.000 | ST |
| 30 | 5.033-579.0 | End piece inside right | 1.000 | ST |



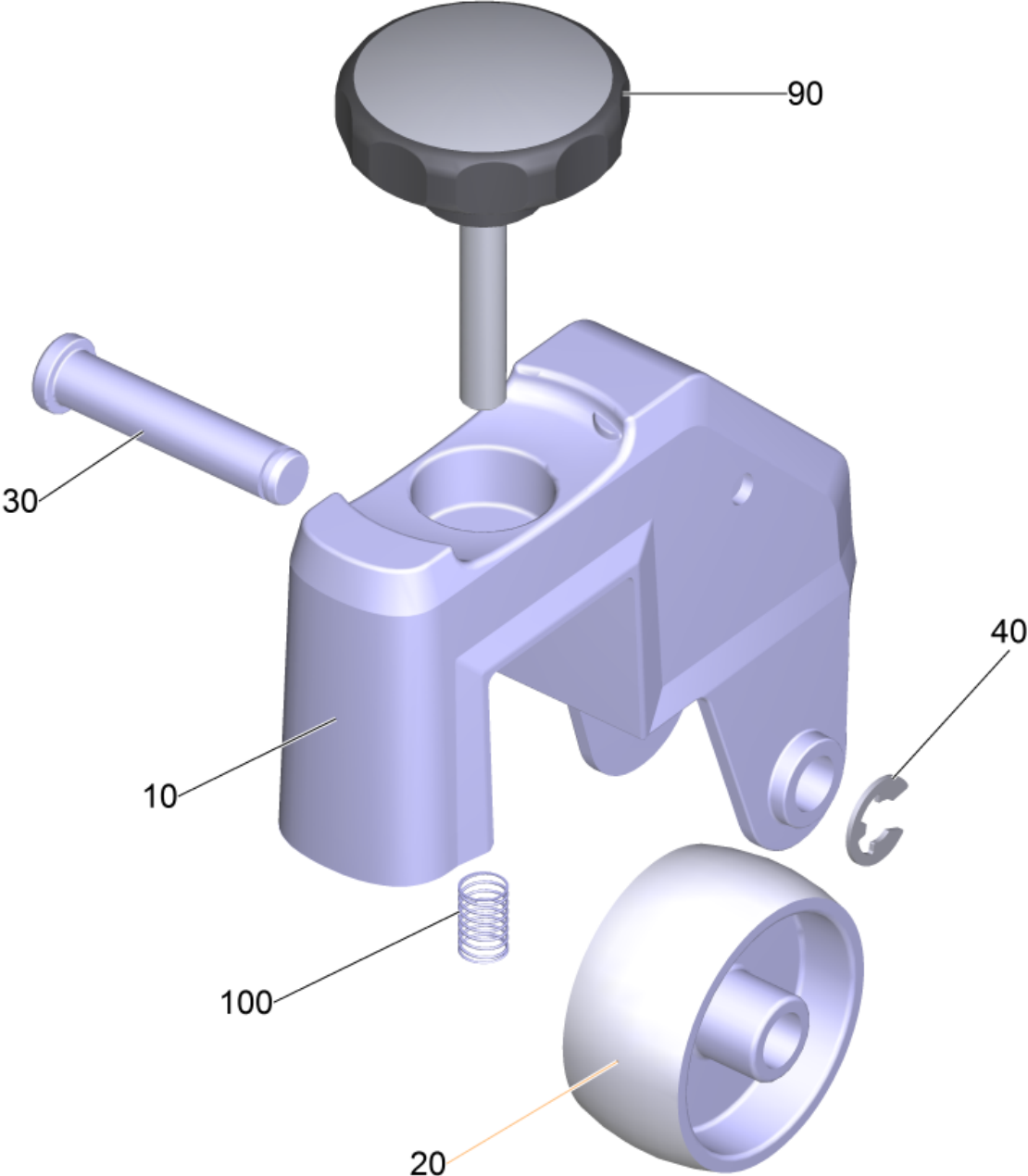
9000 Conversion kit support roller deep (4.035-281.0)

| POS | Article no. | Description | Quantity | Unit |
|-----|-------------|--|----------|------|
| 60 | 7.311-382.0 | Cap nut M10-6-A3E DIN 1587 | 1.000 | ST |
| 20 | 6.435-179.0 | Castor for thread deflector | 1.000 | ST |
| 50 | 7.306-068.0 | Cylinder head screw M10x45-8.8-A2K DIN | 1.000 | ST |
| 10 | 5.101-626.0 | Housing with additional weight | 1.000 | ST |
| 30 | 5.332-554.0 | Pressure spring | 1.000 | ST |
| 70 | 6.996-526.0 | Serrated locking washer d.10 | 1.000 | ST |
| 40 | 6.321-240.0 | Star grip with inscription VA Ø50x43 | 1.000 | ST |



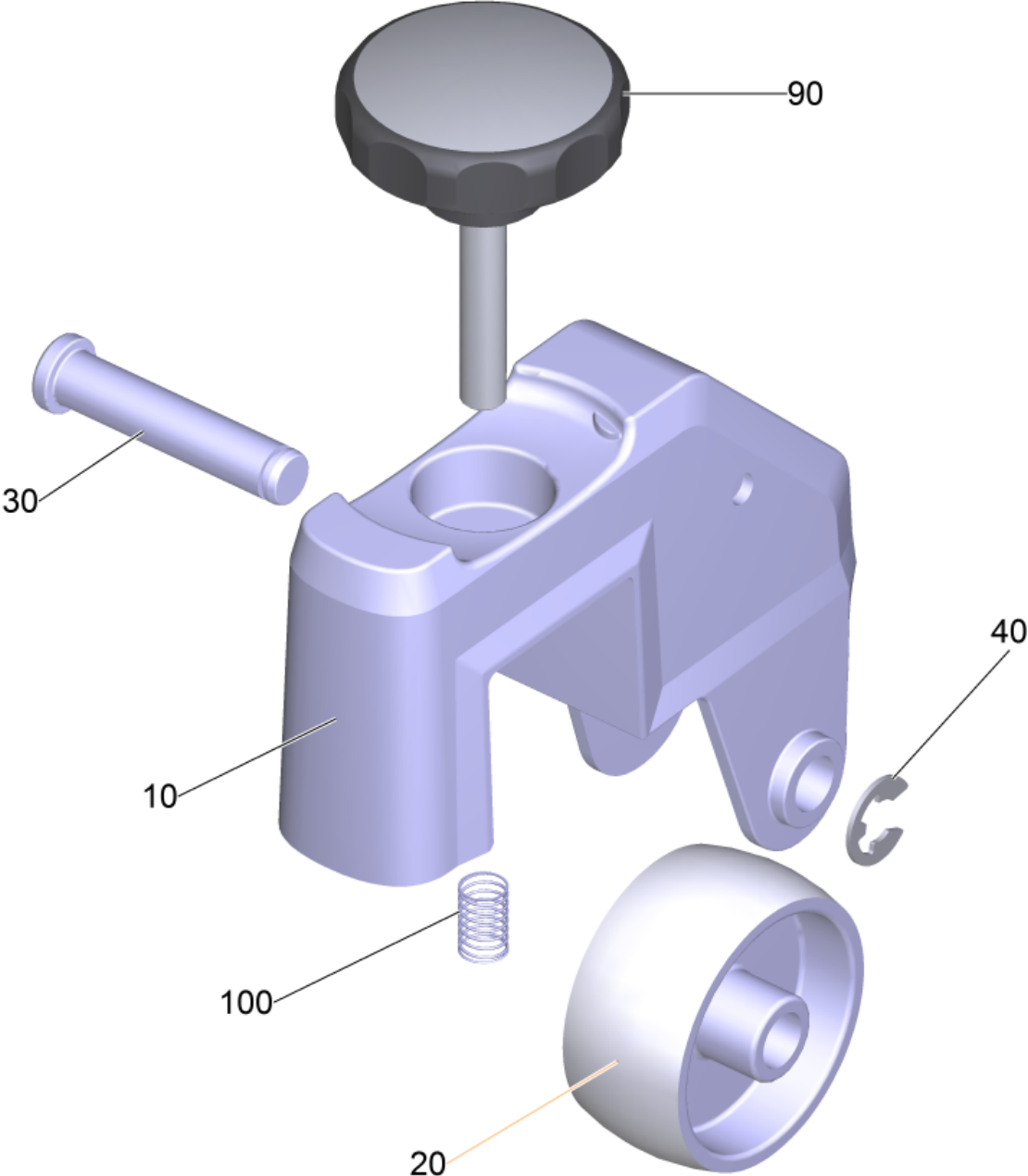
9000 Roller suction bar (4.035-339.0)

| POS | Article no. | Description | Quantity | Unit |
|------------|--------------------|--------------------------------------|-----------------|-------------|
| 30 | 5.317-781.0 | Bolt roller | 1.000 | ST |
| 40 | 7.343-303.0 | Locking ring 8-A2 DIN 6799 | 1.000 | ST |
| 100 | 5.332-504.0 | Pressure spring | 1.000 | ST |
| 10 | 5.101-139.0 | Roller holder weight | 1.000 | ST |
| 90 | 6.321-240.0 | Star grip with inscription VA Ø50x43 | 1.000 | ST |
| 20 | 6.435-401.0 | Wheel D54 | 1.000 | ST |



19 Add-on kit rollers suction bar (2.640-023.0)

| POS | Article no. | Description | Quantity | Unit |
|------------|--------------------|--------------------------------------|-----------------|-------------|
| 30 | 5.317-781.0 | Bolt roller | 2.000 | ST |
| 40 | 7.343-303.0 | Locking ring 8-A2 DIN 6799 | 2.000 | ST |
| 100 | 5.332-504.0 | Pressure spring | 2.000 | ST |
| 10 | 5.101-139.0 | Roller holder weight | 2.000 | ST |
| 90 | 6.321-240.0 | Star grip with inscription VA Ø50x43 | 2.000 | ST |
| 20 | 6.435-401.0 | Wheel D54 | 2.000 | ST |

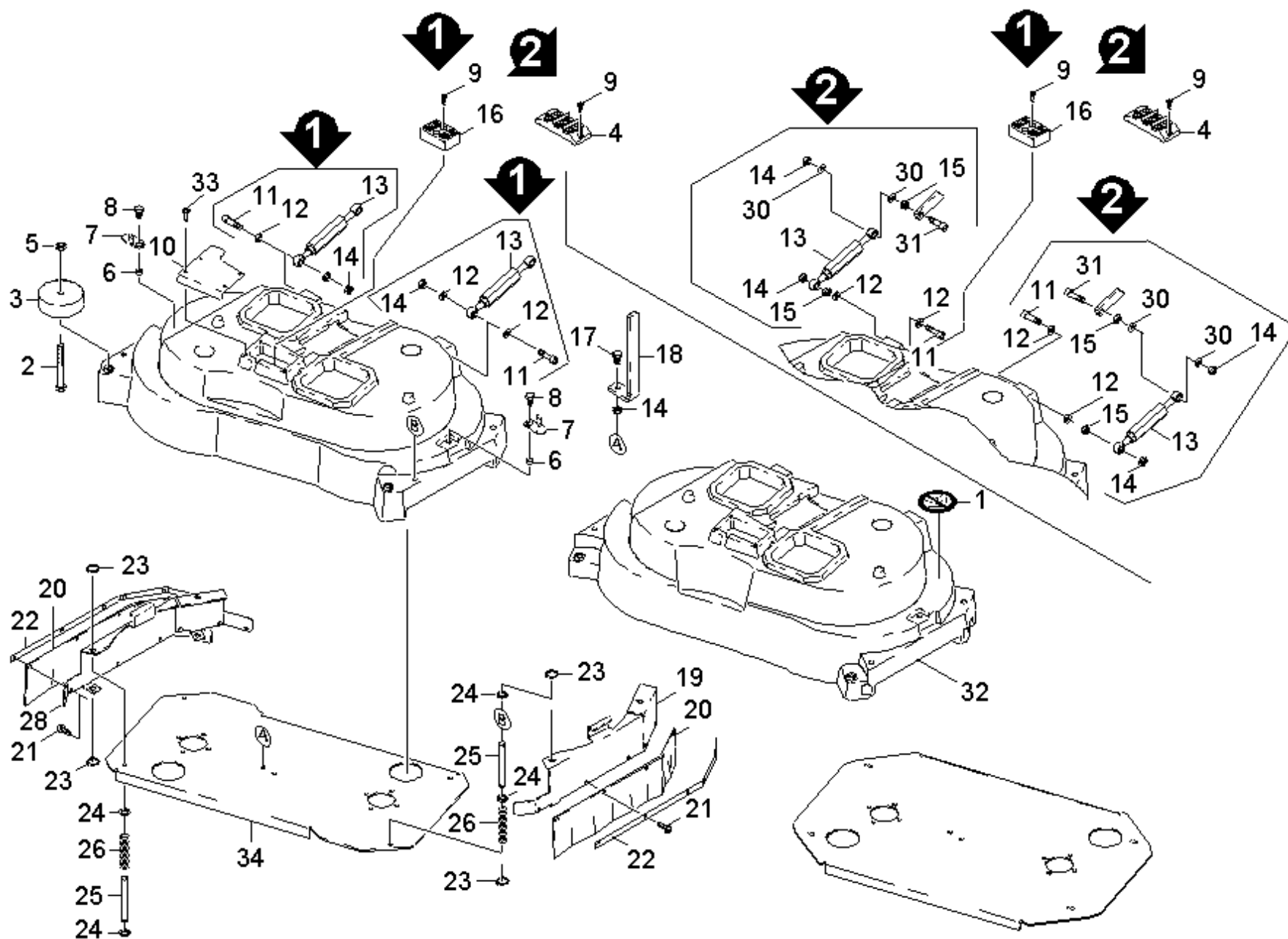


19 Roller suction bar (4.035-339.0)

| POS | Article no. | Description | Quantity | Unit |
|------------|--------------------|--------------------------------------|-----------------|-------------|
| 30 | 5.317-781.0 | Bolt roller | 1.000 | ST |
| 40 | 7.343-303.0 | Locking ring 8-A2 DIN 6799 | 1.000 | ST |
| 100 | 5.332-504.0 | Pressure spring | 1.000 | ST |
| 10 | 5.101-139.0 | Roller holder weight | 1.000 | ST |
| 90 | 6.321-240.0 | Star grip with inscription VA Ø50x43 | 1.000 | ST |
| 20 | 6.435-401.0 | Wheel D54 | 1.000 | ST |

60 Power brush

| POS | Description | Quantity | Unit | Foot note text |
|------------|--------------------|-----------------|-------------|-----------------------|
| 63 | Holder left BD | 1.000 | ST | LEFT |
| 62 | Holder right BD | 1.000 | ST | RIGHT |
| 65 | Lifting device | 1.000 | ST | |
| 61 | Power brush BD | 1.000 | ST | |
| 66 | Power brush BR | 1.000 | ST | |
| 64 | Transmission BD | 1.000 | ST | |

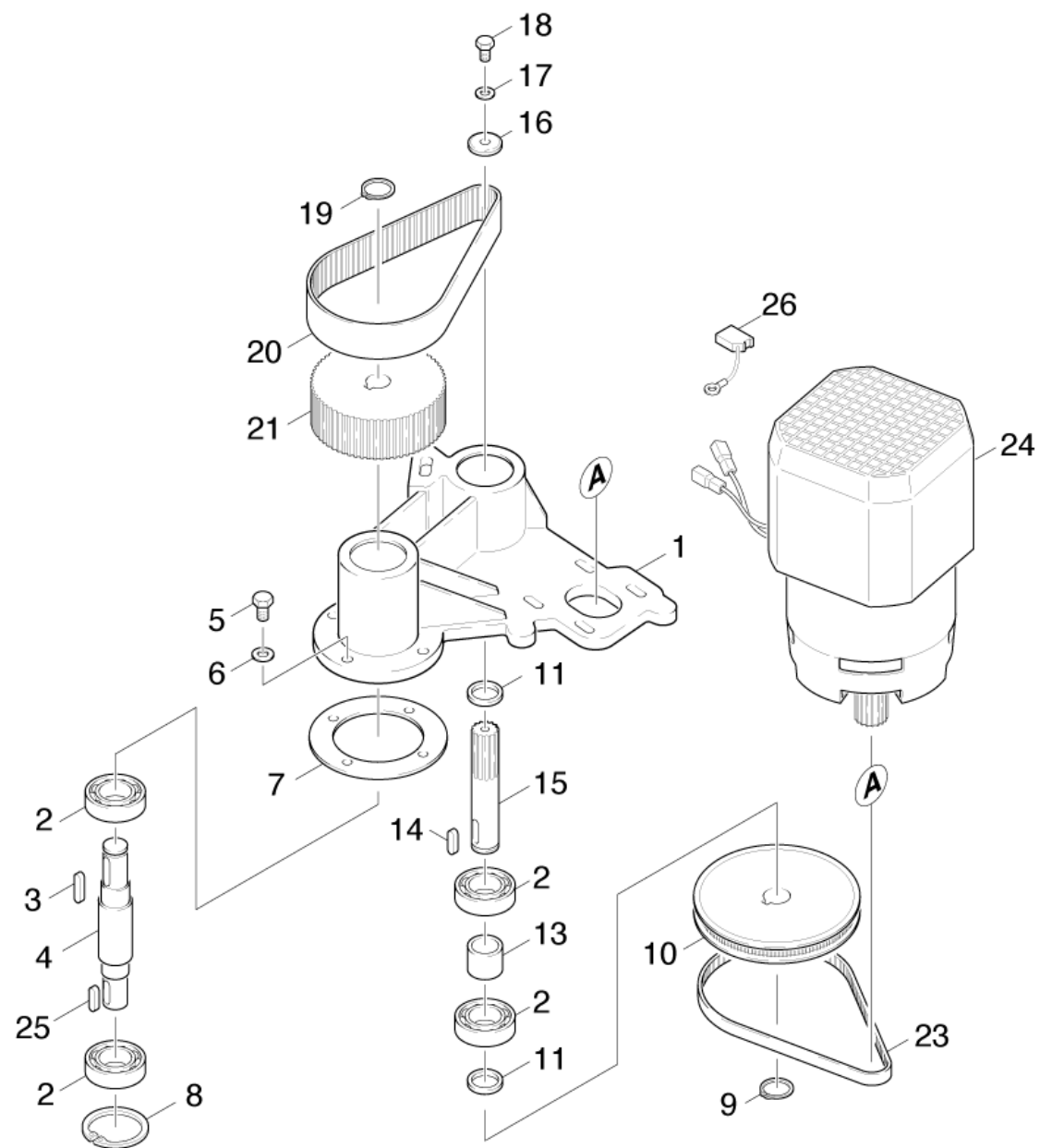


61 Power brush BD

| POS | Article no. | Description | Quantity | Unit | Remark | Foot note text |
|-----|--|--|----------|------|--------|----------------|
| 34 | 5.006-539.0 | BASE PLATE | 1.000 | ST | | |
| | Item text1: 1.246-401.0 /-402.0 /-421.0 /-502.0 | | | | | |
| 25 | 5.316-349.0 | Bolt | 4.000 | ST | | |
| 6 | 5.112-448.0 | Bush | 2.000 | ST | | |
| 32 | 5.066-000.0 | Cover head Disk | 1.000 | ST | (BD90) | |
| 32 | 5.067-266.0 | Cover head Disk | 1.000 | ST | (BD75) | |
| 17 | 7.306-228.0 | Cylinder head screw M10x30 -A2-70 ISO 4 | 2.000 | ST | | |
| 31 | 7.306-120.0 | Cylinder head screw M10x40 -A2-70 ISO 4 | 2.000 | ST | | VERSION 2 |
| 11 | 7.306-125.0 | Cylinder head screw M10x70-8.8-A3E ISO4 | 2.000 | ST | | VERSION 1 |
| 11 | 7.304-133.0 | Hexagonal head screw M10x90-A2-70 ISO 4 | 2.000 | ST | | VERSION 2 |
| 2 | 7.304-072.0 | Hexagonal head screw M12x110-A2-70 ISO | 2.000 | ST | | |
| 14 | 7.311-441.0 | Hexagon nut M10-1.4305 DIN 985 | 6.000 | ST | | VERSION 1 |
| 15 | 7.311-066.0 | Hexagon nut M10-A2-70 ISO 4032 | 4.000 | ST | | VERSION 2 |
| 14 | 7.311-524.0 | Hexagon nut M10-A2-70 ISO 7040 | 4.000 | ST | | VERSION 2 |
| 5 | 7.311-429.0 | Hexagon nut M12-04-A2E DIN 985 | 2.000 | ST | | |
| 18 | 5.044-521.0 | Holder | 1.000 | ST | | |
| 1 | 5.383-097.0 | Label | 1.000 | ST | | |
| 23 | 7.343-205.0 | Lock washer 9-St-A2E DIN 6799 | 8.000 | ST | | |
| 21 | 7.306-182.0 | Pan head screw M5x16 -A2-70 ISO 14583 | 12.000 | ST | | |
| 10 | 5.007-354.0 | Plate electric control box | 1.000 | ST | | |
| 7 | 5.007-352.0 | Plate lifting | 2.000 | ST | | |
| 22 | 4.007-038.0 | Plate sealing lip complete | 2.000 | ST | | |
| 19 | 5.007-349.0 | Plate skirting left | 1.000 | ST | | |
| 28 | 5.007-350.0 | Plate skirting right | 1.000 | ST | | |
| 26 | 5.332-504.0 | Pressure spring | 4.000 | ST | | |
| 3 | 5.515-096.0 | Roller | 2.000 | ST | | |
| 33 | 7.303-107.0 | Screw 5x16 -10.9-P2R (K-IN6RD) | 4.000 | ST | | |
| 9 | 7.303-104.0 | Screw 5x16 -A2-70 (IN6RD) | 2.000 | ST | | |
| 16 | 7.306-067.0 | Screw M 5x8-ST- 8.8-R2R (IN6RD) | 4.000 | ST | | |

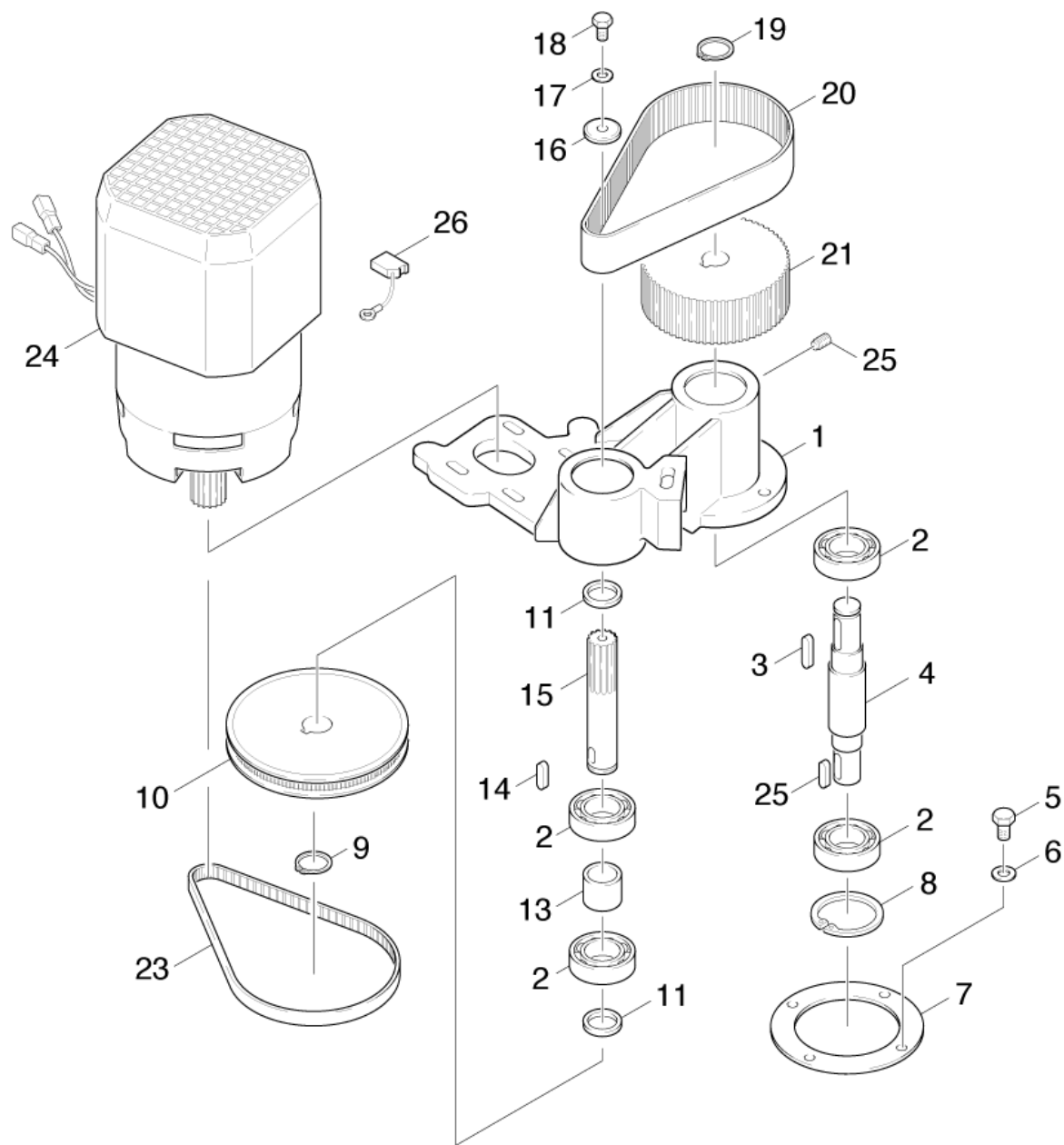
61 Power brush BD

| POS | Article no. | Description | Quantity | Unit | Remark | Foot note text |
|-----|-------------|--|----------|------|----------------|----------------|
| 8 | 7.306-191.0 | Screw M6x10 -A2-70 (In6Rd) | 2.000 | ST | | |
| 20 | 5.394-640.0 | Splash guard | 2.000 | ST | | |
| 20 | 5.394-757.0 | Splash guard wear resistant | 2.000 | ST | | NON ABRASIVE |
| 16 | 6.643-840.0 | Strip terminal | 1.000 | ST | (+7.306-067.0) | |
| 4 | 6.643-963.0 | Strip terminal triple-pole | 1.000 | ST | (+7.306-067.0) | |
| 13 | 4.129-003.0 | Turnbuckle complete only for replacement | 2.000 | ST | | |
| 12 | 7.312-005.0 | Washer 10-200HV-A3E ISO 7089 | 4.000 | ST | | VERSION 1 |
| 12 | 7.312-290.0 | Washer 10-A2 ISO 7093-1 | 4.000 | ST | | VERSION 2 |
| 30 | 7.312-014.0 | Washer 10-A4 ISO 7089 | 4.000 | ST | | VERSION 2 |
| 24 | 7.312-075.0 | Washer 12-CuZn ISO 7092 | 8.000 | ST | | |



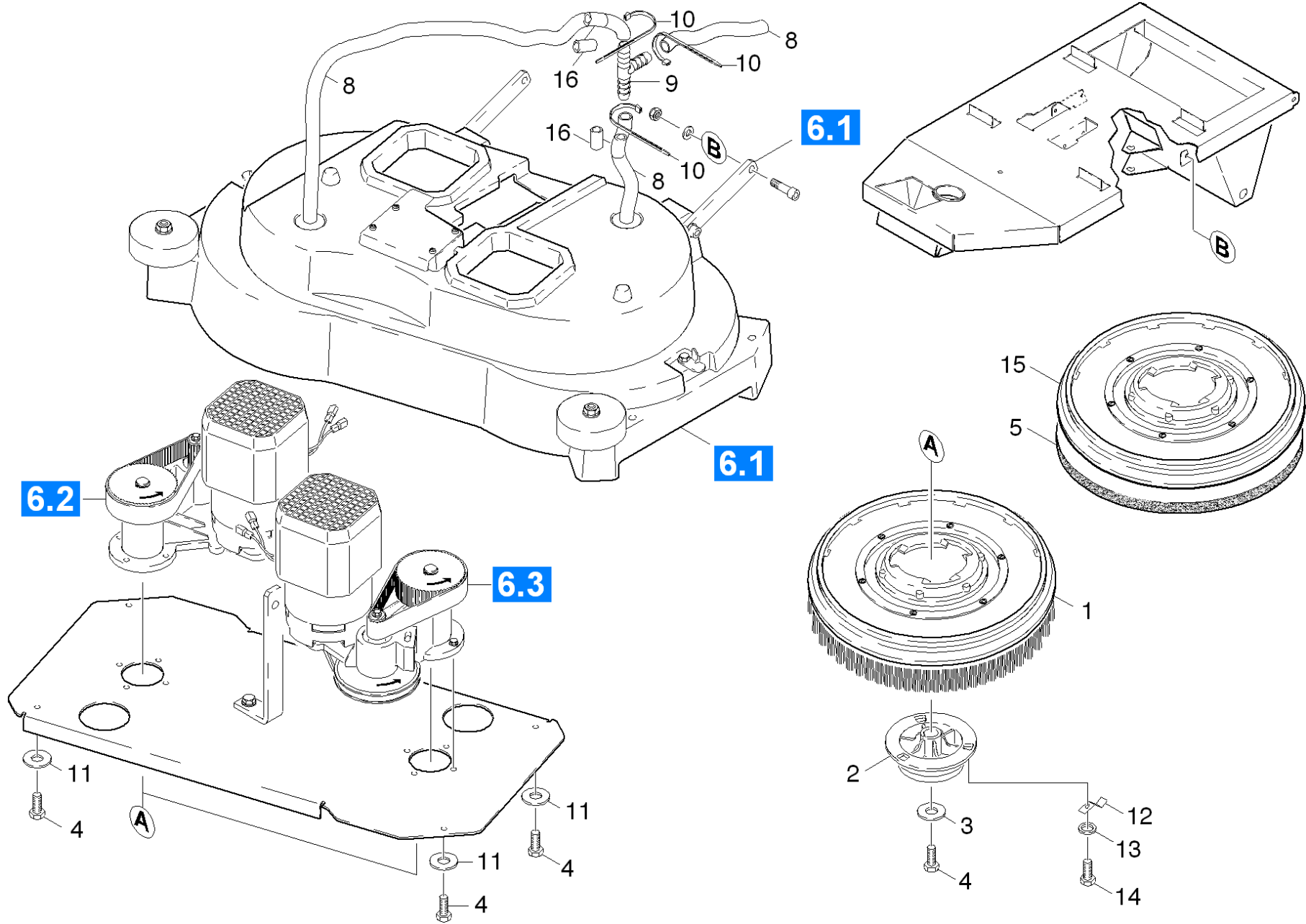
62 Holder right BD

| POS | Article no. | Description | Quantity | Unit | Remark | Foot note text |
|-----|-------------|---|----------|------|-----------|----------------|
| 2 | 7.401-173.0 | Ball bearing 6204-2RS-WAELZLAGST DIN 625 | 4.000 | ST | | |
| 11 | 5.112-616.0 | Bush | 2.000 | ST | | |
| 13 | 5.112-619.0 | Bush for belt drive | 1.000 | ST | | |
| 26 | 6.610-239.0 | Carbon brush set ATAS | 1.000 | ST | ATAS | |
| 24 | 6.613-292.0 | Direct current motor | 1.000 | ST | | |
| 16 | 5.115-913.0 | Flanged pulley | 1.000 | ST | | |
| 1 | 5.044-897.0 | Holder belt drive | 1.000 | ST | | |
| 19 | 7.343-018.0 | Locking ring 18x1,2-Rf-St DIN 471 | 1.000 | ST | | |
| 9 | 7.343-007.0 | Locking ring 20x1,2-FST-RF DIN 471 | 1.000 | ST | | |
| 8 | 7.343-115.0 | Locking ring 47x1,75 -St-ph DIN 472 | 1.000 | ST | | |
| 14 | 7.318-004.0 | Parallel key 6x6x12 -C45K DIN 6885-1 | 1.000 | ST | | |
| 25 | 7.318-030.0 | Parallel key 6x6x25 -C45K DIN 6885-1 | 1.000 | ST | | |
| 3 | 7.318-031.0 | Parallel key 6x6x28 -C45K DIN 6885-1 | 1.000 | ST | | |
| 7 | 5.114-480.0 | Ring motor | 1.000 | ST | | |
| 18 | 7.306-191.0 | Screw M6x10 -A2-70 (In6Rd) | 1.000 | ST | | |
| 5 | 7.303-068.0 | Screw M8x20 -St-R3R (In6Rd) | 4.000 | ST | | |
| 6 | 7.312-022.0 | Serrated lock washer A8,4-1.4310 DIN679 | 4.000 | ST | | |
| 4 | 5.100-293.0 | Shaft belt drive 1 | 1.000 | ST | (149mm) | VERSION 1 |
| 4 | 5.100-378.0 | Shaft belt drive 1 BD 530 | 1.000 | ST | (155mm) | VERSION 2 |
| 15 | 5.100-294.0 | Shaft belt drive 2 | 1.000 | ST | (106,5mm) | VERSION 1 |
| 15 | 5.100-379.0 | Shaft belt drive 2 | 1.000 | ST | (116,5mm) | VERSION 2 |
| 23 | 6.348-383.0 | Toothed belt HTD-447-3M-15 CXPIII | 1.000 | ST | | |
| 20 | 6.348-384.0 | Toothed belt HTD-475-5M-40 CXPIII | 1.000 | ST | | |
| 10 | 5.625-403.0 | Toothed lock washer 125Z | 1.000 | ST | | |
| 21 | 5.625-351.0 | Toothed lock washer HTD 5M 63Z | 1.000 | ST | | |
| 17 | 7.312-003.0 | Washer 6 -200HV-A3E ISO 7089 | 1.000 | ST | | |



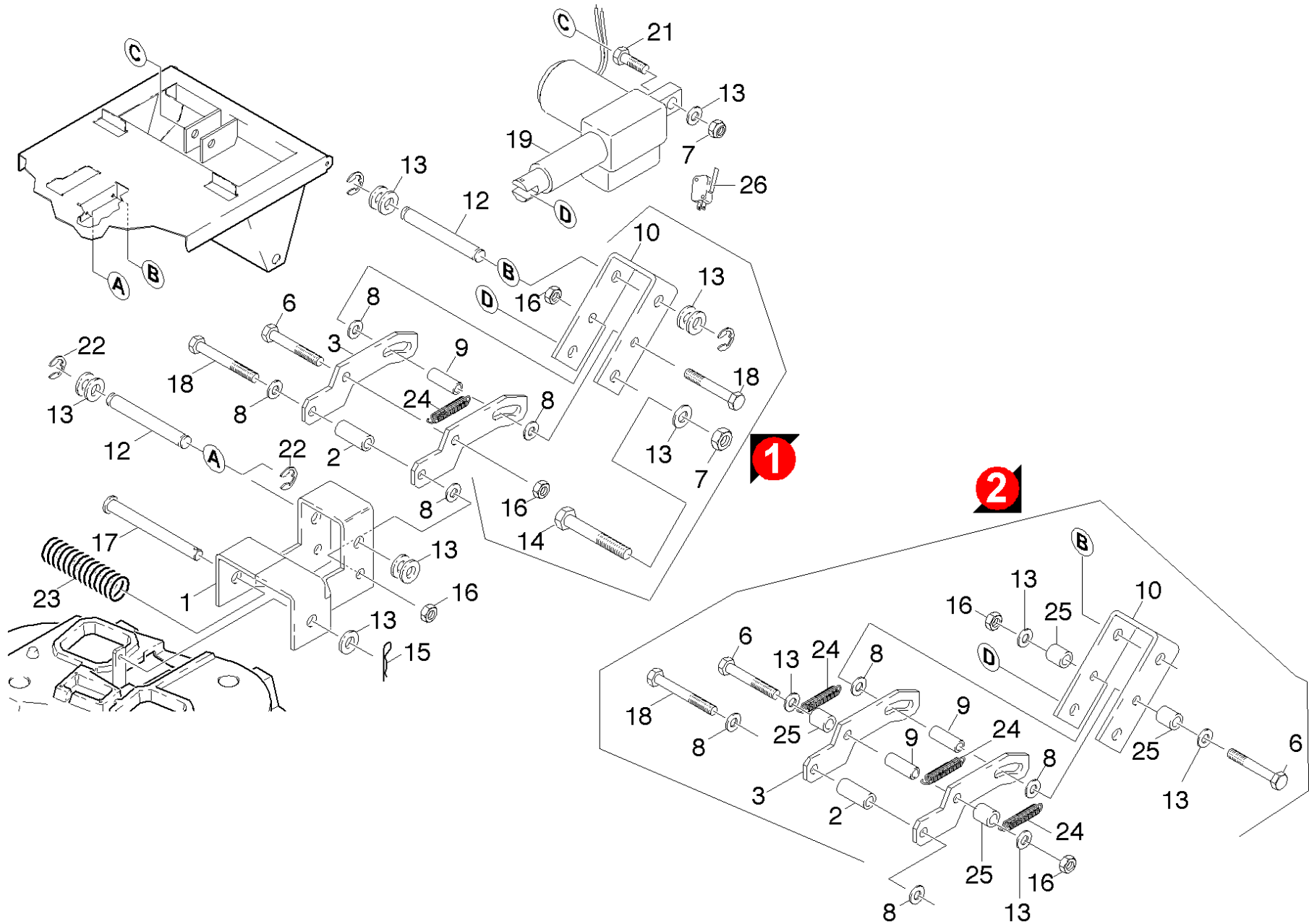
63 Holder left BD

| POS | Article no. | Description | Quantity | Unit | Remark | Foot note text |
|-----|-------------|---|----------|------|-----------|----------------|
| 2 | 7.401-173.0 | Ball bearing 6204-2RS-WAELZLAGST DIN 625 | 4.000 | ST | | |
| 11 | 5.112-616.0 | Bush | 2.000 | ST | | |
| 13 | 5.112-619.0 | Bush for belt drive | 1.000 | ST | | |
| 26 | 6.610-239.0 | Carbon brush set ATAS | 1.000 | ST | ATAS | |
| 24 | 6.613-292.0 | Direct current motor | 1.000 | ST | | |
| 16 | 5.115-913.0 | Flanged pulley | 1.000 | ST | | |
| 1 | 5.044-897.0 | Holder belt drive | 1.000 | ST | | |
| 19 | 7.343-018.0 | Locking ring 18x1,2-Rf-St DIN 471 | 1.000 | ST | | |
| 9 | 7.343-007.0 | Locking ring 20x1,2-FST-RF DIN 471 | 1.000 | ST | | |
| 8 | 7.343-115.0 | Locking ring 47x1,75 -St-ph DIN 472 | 1.000 | ST | | |
| 14 | 7.318-004.0 | Parallel key 6x6x12 -C45K DIN 6885-1 | 1.000 | ST | | |
| 25 | 7.318-030.0 | Parallel key 6x6x25 -C45K DIN 6885-1 | 1.000 | ST | | |
| 3 | 7.318-031.0 | Parallel key 6x6x28 -C45K DIN 6885-1 | 1.000 | ST | | |
| 7 | 5.114-480.0 | Ring motor | 1.000 | ST | | |
| 18 | 7.306-191.0 | Screw M6x10 -A2-70 (In6Rd) | 1.000 | ST | | |
| 5 | 7.303-068.0 | Screw M8x20 -St-R3R (In6Rd) | 4.000 | ST | | |
| 6 | 7.312-022.0 | Serrated lock washer A8,4-1.4310 DIN679 | 4.000 | ST | | |
| 4 | 5.100-293.0 | Shaft belt drive 1 | 1.000 | ST | (149mm) | VERSION 1 |
| 4 | 5.100-378.0 | Shaft belt drive 1 BD 530 | 1.000 | ST | (155mm) | VERSION 2 |
| 15 | 5.100-294.0 | Shaft belt drive 2 | 1.000 | ST | (106,5mm) | VERSION 1 |
| 15 | 5.100-379.0 | Shaft belt drive 2 | 1.000 | ST | (116,5mm) | VERSION 2 |
| 23 | 6.348-383.0 | Toothed belt HTD-447-3M-15 CXPIII | 1.000 | ST | | |
| 20 | 6.348-384.0 | Toothed belt HTD-475-5M-40 CXPIII | 1.000 | ST | | |
| 10 | 5.625-352.0 | Toothed lock washer HTD 3M 125Z | 1.000 | ST | | |
| 21 | 5.625-351.0 | Toothed lock washer HTD 5M 63Z | 1.000 | ST | | |
| 17 | 7.312-003.0 | Washer 6 -200HV-A3E ISO 7089 | 1.000 | ST | | |



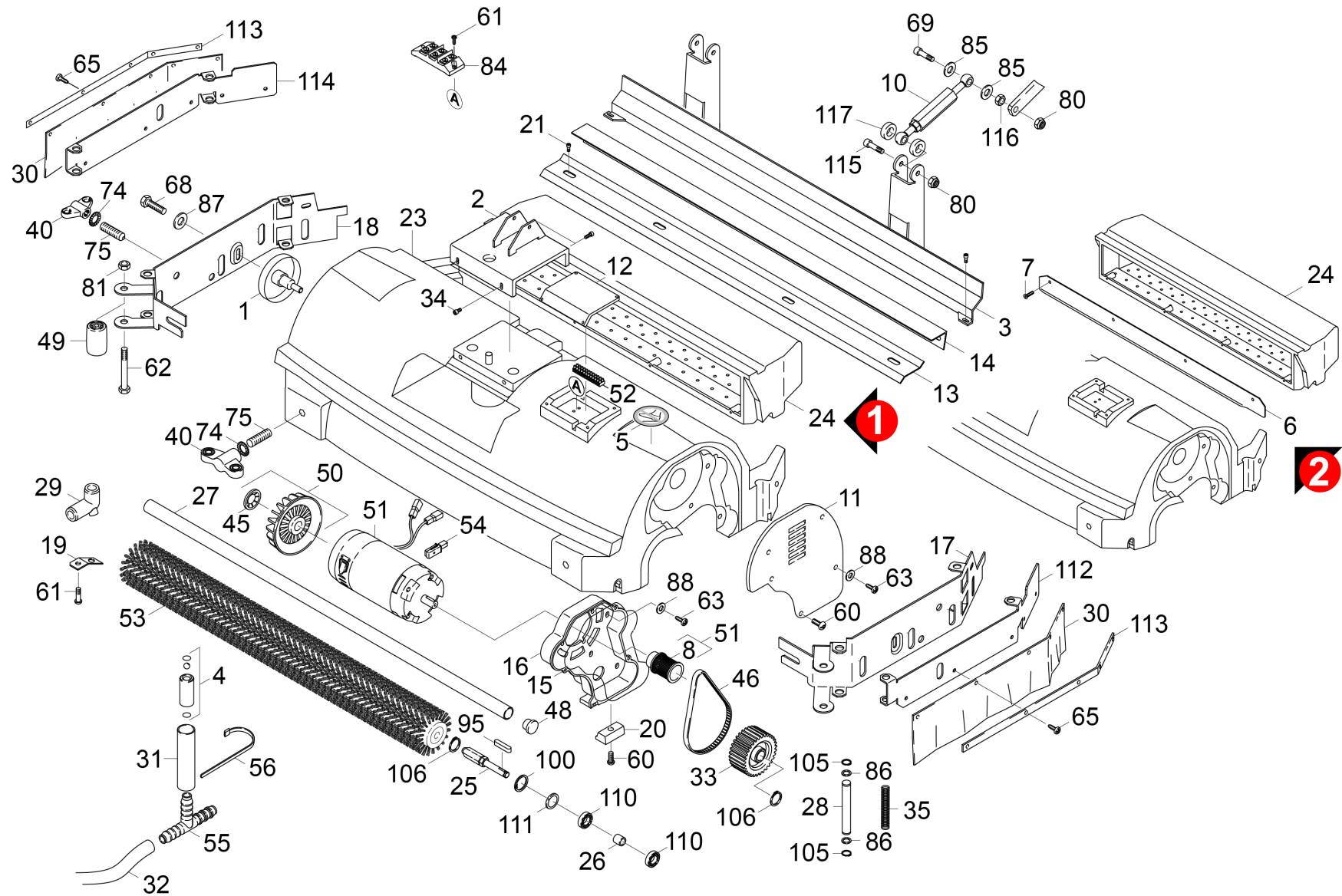
64 Transmission BD

| POS | Article no. | Description | Quantity | Unit | Remark | Foot note text |
|-----|-------------|--|----------|------|--------|-----------------------|
| 10 | 6.641-474.0 | Cable tape 8-210 | 3.000 | ST | | |
| 5 | 6.371-236.0 | Diamond pad green set 5x Ø381 | 2.000 | ST | (BD75) | |
| 5 | 6.371-239.0 | Diamond pad green set 5x Ø457 | 2.000 | ST | (BD90) | |
| 1 | 6.906-492.0 | Disc brush | 2.000 | ST | (BD75) | NATURE |
| 1 | 6.906-491.0 | Disc brush black (old colour grey) | 2.000 | ST | (BD75) | |
| 1 | 6.906-055.0 | Disc brush black (old colour grey) | 2.000 | ST | (BD90) | |
| 1 | 6.906-056.0 | Disc brush nature | 2.000 | ST | (BD90) | |
| 1 | 6.907-151.0 | Disc brush red | 2.000 | ST | (BD75) | |
| 1 | 6.906-054.0 | Disc brush red (old colour white) | 2.000 | ST | (BD90) | |
| 1 | 6.906-552.0 | Disc brush white (old colour black) | 2.000 | ST | (BD90) | |
| 15 | 6.907-008.0 | Disk pad | 2.000 | ST | (BD90) | |
| 15 | 6.906-493.0 | Disk pad | 2.000 | ST | (BD75) | |
| 2 | 4.122-140.0 | Flange complete | 2.000 | ST | | |
| 4 | 7.304-538.0 | Hexagonal head screw M8x16-A4-70 ISO 40 | 6.000 | ST | | |
| 8 | 6.388-248.0 | Hose DN12,5 | 1.000 | M | | TO ORDER AS CUT GOODS |
| 5 | 6.369-789.0 | Pad black | 2.000 | ST | (BD75) | |
| 5 | 6.369-022.0 | Pad black | 2.000 | ZSA | (BD90) | |
| 5 | 6.369-790.0 | Pad green | 2.000 | ST | (BD75) | |
| 5 | 6.369-023.0 | Pad green | 2.000 | ZSA | (BD90) | |
| 5 | 6.369-791.0 | Pad red | 2.000 | ST | (BD75) | |
| 5 | 6.369-024.0 | Pad red | 2.000 | ZSA | (BD90) | |
| 12 | 5.337-033.0 | Plate spring | 6.000 | ST | | |
| 14 | 7.306-213.0 | Screw M5x6 -A2-70 (In6Rd) | 6.000 | ST | | |
| 13 | 7.312-041.0 | Serrated lock washer A5,3-1.4310 DIN 67 | 6.000 | ST | | |
| 16 | 5.116-106.0 | Sleeve | 2.000 | ST | | |
| 9 | 6.388-908.0 | T-Hose nozzle 14 | 1.000 | ST | | |
| 3 | 7.312-268.0 | Washer 8 -A2 ISO 7094 | 2.000 | ST | | |
| 11 | 7.312-073.0 | Washer 8 -CuZn ISO 7092 | 4.000 | ST | | |



65 Lifting device

| POS | Article no. | Description | Quantity | Unit | Foot note text |
|-----|-------------|--|----------|------|----------------|
| 12 | 5.317-022.0 | Bolt | 2.000 | ST | |
| 17 | 7.316-215.0 | Bolt B10,0x100-ST-A2E ISO 2341 | 1.000 | ST | |
| 24 | 6.330-209.0 | Extension spring | 3.000 | ST | |
| 6 | 7.304-504.0 | Hexagonal head screw M8x50-A2-70 ISO 40 | 2.000 | ST | VERSION 1 |
| 18 | 7.304-402.0 | Hexagonal head screw M8x65-8.8-A2E ISO | 2.000 | ST | |
| 6 | 7.304-033.0 | Hexagonal head screw M 8X100-A4-70 ISO 4 | 2.000 | ST | VERSION 2 |
| 21 | 7.304-514.0 | Hexagonal head screw M10x50-A2-70 ISO 4 | 1.000 | ST | |
| 14 | 7.304-062.0 | Hexagonal head screw M10x70-A2-70 ISO 4 | 1.000 | ST | |
| 16 | 7.311-427.0 | Hexagon nut M8 -04-A2E DIN 985 | 9.000 | ST | |
| 7 | 7.311-423.0 | Hexagon nut M10 -04-A2E DIN 985 | 5.000 | ST | |
| 19 | 6.613-333.0 | Hoisting motor 24V 100mm | 1.000 | ST | |
| 22 | 7.343-302.0 | Lock washer 8 -St-ph DIN 6799 | 4.000 | ST | |
| 26 | 6.631-955.0 | Micro switch | 1.000 | ST | |
| 3 | 5.007-356.0 | Plate lever | 2.000 | ST | |
| 23 | 5.332-503.0 | Pressure spring | 1.000 | ST | |
| 10 | 5.059-525.0 | Sheet metal component holder | 1.000 | ST | |
| 1 | 5.059-527.0 | Sheet metal component rocker | 1.000 | ST | |
| 25 | 5.110-998.0 | Sleeve | 4.000 | ST | |
| 9 | 5.110-668.0 | Sleeve | 1.000 | ST | VERSION 1 |
| 9 | 5.116-104.0 | Sleeve | 2.000 | ST | VERSION 2 |
| 15 | 7.316-454.0 | Spring clip 2,5-DR-vz DIN11024 | 1.000 | ST | |
| 2 | 5.028-894.0 | Tube | 1.000 | ST | |
| 8 | 7.312-004.0 | Washer 8 -200HV-A3E ISO 7089 | 14.000 | ST | |
| 13 | 7.312-005.0 | Washer 10-200HV-A3E ISO 7089 | 13.000 | ST | |



66 Power brush BR

| POS | Article no. | Description | Quantity | Unit | Remark | Foot note text |
|-----|-------------|--|----------|------|--------|----------------|
| 6 | 5.009-151.0 | Angle plate BR 75/140 R | 1.000 | ST | (BR75) | |
| 6 | 5.009-152.0 | Angle plate BR 90/140 R | 1.000 | ST | (BR90) | |
| 110 | 7.401-115.0 | Ball bearing 6002-2RS -WAE LZLAGST DIN 62 | 4.000 | ST | | |
| 8 | 5.625-399.0 | Belt pulley 24 Z | 1.000 | ST | | |
| 50 | 6.613-025.0 | Blower wheel | 2.000 | ST | ATAS | |
| 50 | 6.610-027.0 | Blower wheel only for replacement Hengye | 2.000 | ST | Hengye | |
| 28 | 5.316-349.0 | Bolt | 4.000 | ST | | |
| 3 | 4.058-120.0 | Brush beam | 1.000 | ST | (BR75) | |
| 2 | 4.058-115.0 | Brush beam | 1.000 | ST | | |
| 3 | 4.058-116.0 | Brush beam | 1.000 | ST | (BR90) | |
| 23 | 5.060-905.0 | Brush housing | 1.000 | ST | (BR90) | |
| 23 | 5.060-906.0 | Brush housing | 1.000 | ST | (BR75) | |
| 56 | 6.641-474.0 | Cable tape 8-210 | 5.000 | ST | | |
| 54 | 6.610-216.0 | Carbon brush set | 2.000 | ZSA | AMER | |
| 54 | 6.610-026.0 | Carbon brush set | 1.000 | ST | Hengye | |
| 54 | 6.610-239.0 | Carbon brush set ATAS | 2.000 | ST | ATAS | |
| 7 | 7.303-125.0 | Countersunk screw 4x16 -10.9-R2R (In6Rd) | 4.000 | ST | | |
| 11 | 5.006-618.0 | Cover plate | 2.000 | ST | | |
| 34 | 7.306-041.0 | Cylinder head screw M8x20 -8.8-A2E ISO | 4.000 | ST | | |
| 69 | 7.306-172.0 | Cylinder head screw M10x55 -A4-70 ISO 4 | 2.000 | ST | | |
| 115 | 7.306-125.0 | Cylinder head screw M10x70-8.8-A3E ISO4 | 2.000 | ST | | |
| 48 | 6.368-068.0 | Drain plug 10,7 | 1.000 | ST | | |
| 25 | 5.100-374.0 | Driveshaft | 2.000 | ST | | |
| 62 | 7.304-040.0 | Hexagonal head screw M12x100-A4-70 ISO 4 | 2.000 | ST | | |
| 80 | 7.311-423.0 | Hexagon nut M10 -04-A2E DIN 985 | 4.000 | ST | | |
| 116 | 7.311-006.0 | Hexagon nut M10 -8-A3E ISO 4032 | 2.000 | ST | | |
| 81 | 7.311-429.0 | Hexagon nut M12-04-A2E DIN 985 | 2.000 | ST | | |
| 17 | 5.044-545.0 | Holder-up left | 1.000 | ST | | |

66 Power brush BR

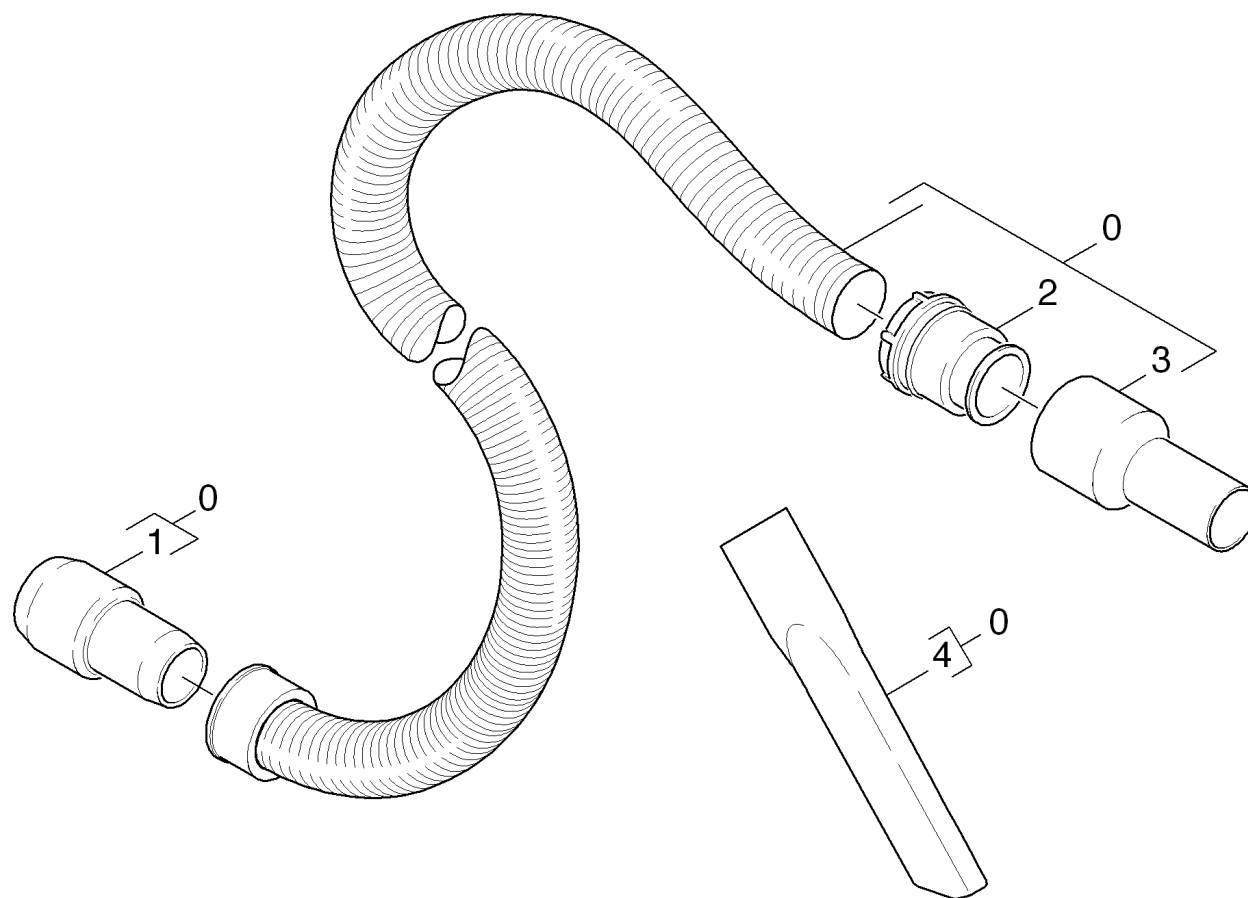
| POS | Article no. | Description | Quantity | Unit | Remark | Foot note text |
|-----|-------------|--|----------|------|--------|----------------|
| 18 | 5.044-546.0 | Holder-up right | 1.000 | ST | | |
| 1 | 4.040-037.0 | Holder complete | 2.000 | ST | (BR90) | |
| 19 | 5.044-547.0 | Holder rubber bushing rubber | 1.000 | ST | | |
| 32 | 5.440-147.0 | Hose | 2.000 | ST | | |
| 31 | 5.440-146.0 | Hose valve T-piece | 1.000 | ST | | |
| 111 | 6.363-158.0 | Joint ring Nilosring | 1.000 | ST | | |
| 5 | 5.383-097.0 | Label | 1.000 | ST | | |
| 100 | 7.343-015.0 | Locking ring 15x1-FST-RF DIN 471 | 2.000 | ST | | |
| 105 | 7.343-205.0 | Lock washer 9-St-A2E DIN 6799 | 8.000 | ST | | |
| 106 | 7.343-304.0 | Lock washer 15 -A2 DIN 6799 | 2.000 | ST | | |
| 51 | 4.623-597.0 | Motor complete | 2.000 | ST | (BR90) | |
| 51 | 4.623-033.0 | Motor complete only for replacement 24V | 2.000 | ST | (BR75) | |
| 65 | 7.306-182.0 | Pan head screw M5x16 -A2-70 ISO 14583 | 10.000 | ST | | |
| 95 | 7.318-007.0 | Parallel key 4x4x16-C45K DIN 6885 | 2.000 | ST | | |
| 14 | 5.007-466.0 | Plate box | 1.000 | ST | (BR75) | |
| 13 | 5.007-467.0 | Plate box | 2.000 | ST | (BR75) | |
| 13 | 5.007-427.0 | Plate box | 2.000 | ST | (BR90) | |
| 14 | 5.007-428.0 | Plate box | 1.000 | ST | (BR90) | |
| 12 | 5.007-423.0 | Plate electric control box | 1.000 | ST | | |
| 113 | 4.007-037.0 | Plate sealing lip complete | 2.000 | ST | | |
| 35 | 5.332-504.0 | Pressure spring | 4.000 | ST | | |
| 33 | 5.625-398.0 | PULLEY 64 Z | 2.000 | ST | | |
| 45 | 6.343-149.0 | Quick-fastener | 2.000 | ST | | |
| 16 | 5.044-510.0 | Retainer plate | 2.000 | ST | | |
| 20 | 5.056-011.0 | Rocker head BR | 2.000 | ST | | |
| 53 | 6.906-252.0 | Roller brush black (old colour grey) | 2.000 | ST | (BR90) | |
| 53 | 6.906-497.0 | Roller brush black (old colour grey) | 2.000 | ST | (BR75) | |
| 53 | 6.906-008.0 | Roller brush green (old colour grey) | 2.000 | ST | (BR90) | |
| 53 | 6.906-494.0 | Roller brush green (old colour grey) | 2.000 | ST | (BR75) | |
| 53 | 6.906-009.0 | Roller brush orange (old colour red) | 2.000 | ST | (BR90) | |
| 53 | 6.906-495.0 | Roller brush orange (old colour red) | 2.000 | ST | (BR75) | |
| 53 | 5.762-285.0 | Roller brush red | 2.000 | ST | (BR75) | |

66 Power brush BR

| POS | Article no. | Description | Quantity | Unit | Remark | Foot note text |
|-----|-------------|---|----------|------|----------------|-----------------------|
| 53 | 6.906-007.0 | Roller brush red (old colour white) | 2.000 | ST | (BR90) | |
| 53 | 6.906-496.0 | Roller brush white (old colour black) | 2.000 | ST | (BR75) | |
| 53 | 6.906-010.0 | Roller brush white (old colour black) | 2.000 | ST | (BR90) | |
| 49 | 6.435-341.0 | Roller D45 | 2.000 | ST | | |
| 29 | 5.379-027.0 | Rubber bushing rubber | 1.000 | ST | | |
| 61 | 7.303-104.0 | Screw 5x16 -A2-70 (IN6RD) | 15.000 | ST | | |
| 21 | 7.303-104.0 | Screw 5x16 -A2-70 (IN6RD) | 4.000 | ST | | |
| 60 | 7.303-037.0 | Screw M5x10 -St-P2R (In6Rd) | 10.000 | ST | | |
| 22 | 7.306-192.0 | Screw M 6x 12-A2-70 (In6Rd) | 6.000 | ST | | |
| 63 | 7.306-031.0 | Screw M 6x16-A2-70 DIN 7984 | 16.000 | ST | | |
| 68 | 7.306-218.0 | Screw M 8x16-A2-70 DIN 7984 | 2.000 | ST | | |
| 15 | 6.273-037.0 | Seal string cellular rubber 3 | 1.000 | M | | TO ORDER AS CUT GOODS |
| 74 | 7.312-022.0 | Serrated lock washer A8,4-1.4310 DIN679 | 4.000 | ST | | |
| 1 | 4.038-678.0 | Sheet metal component | 2.000 | ST | (BR75) | |
| 112 | 5.059-616.0 | Sheet metal component apron left | 1.000 | ST | | |
| 114 | 5.059-617.0 | Sheet metal component apron right | 1.000 | ST | | |
| 26 | 5.110-899.0 | Sleeve | 2.000 | ST | | |
| 30 | 5.394-640.0 | Splash guard | 2.000 | ST | | |
| 30 | 5.394-757.0 | Splash guard wear resistant | 2.000 | ST | | NON ABRASIVE |
| 52 | 6.643-840.0 | Strip terminal | 1.000 | ST | (+7.306-067.0) | |
| 84 | 6.643-963.0 | Strip terminal triple-pole | 1.000 | ST | (+7.306-067.0) | |
| 55 | 6.388-908.0 | T-Hose nozzle 14 | 1.000 | ST | | |
| 24 | 5.070-602.0 | Tank refuse | 1.000 | ST | (BR75) | VERSION 1 |
| 24 | 5.070-597.0 | Tank refuse | 1.000 | ST | (BR90) | VERSION 1 |
| 24 | 5.070-731.0 | Tank refuse BR 75/140 R | 1.000 | ST | (BR75) | VERSION 2 |
| 24 | 5.070-732.0 | Tank refuse BR 90/140 R | 1.000 | ST | (BR90) | VERSION 2 |
| 75 | 7.307-026.0 | Threaded pin M8x35 -A2-21H ISO 4029 | 4.000 | ST | | |
| 46 | 6.348-382.0 | Toothed belt | 2.000 | ST | | |
| 27 | 5.128-292.0 | Tube | 1.000 | ST | (BR75) | |
| 27 | 5.128-287.0 | Tube | 1.000 | ST | (BR90) | |
| 10 | 4.129-003.0 | Turnbuckle complete only for replacement | 2.000 | ST | | |

66 Power brush BR

| POS | Article no. | Description | Quantity | Unit | Remark | Foot note text |
|-----|-------------|-----------------------------------|----------|------|--------|----------------|
| 4 | 4.580-598.0 | Ventilating valve water pump | 1.000 | ST | | |
| 88 | 7.312-292.0 | Washer 6 -A2 ISO 7093-1 | 16.000 | ST | | |
| 87 | 7.312-289.0 | Washer 8 -A2 ISO 7093-1 | 6.000 | ST | | |
| 85 | 7.312-005.0 | Washer 10-200HV-A3E ISO 7089 | 6.000 | ST | | |
| 117 | 7.312-080.0 | Washer 10-C -100HV-tZn DIN 7989-1 | 4.000 | ST | | |
| 86 | 7.312-075.0 | Washer 12-CuZn ISO 7092 | 8.000 | ST | | |
| 40 | 6.310-181.0 | Wing nut grey M8 | 4.000 | ST | | |

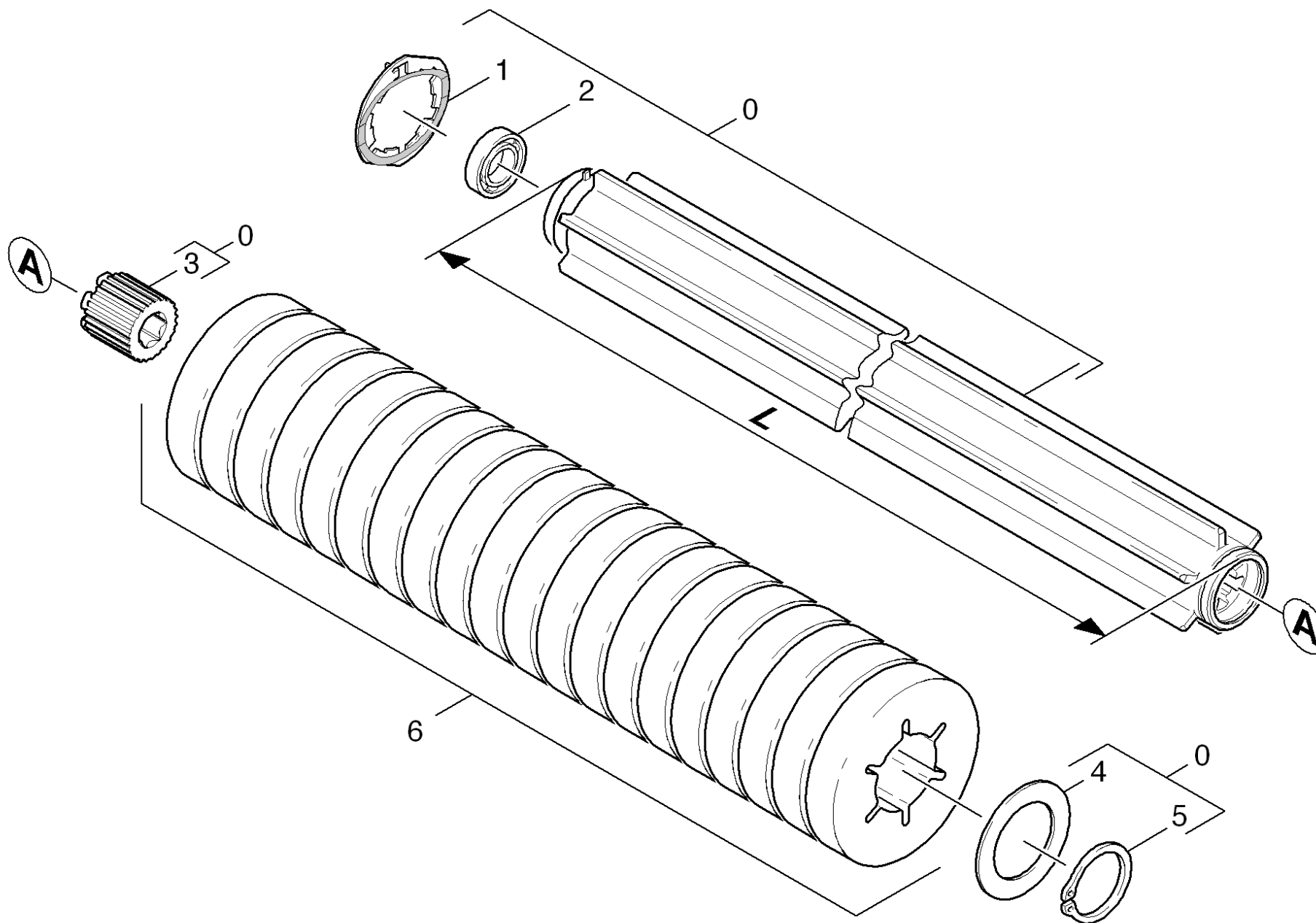


70 Suction hose

| POS | Article no. | Description | Quantity | Unit |
|------------|--------------------|--------------------------|-----------------|-------------|
| 1 | 5.453-055.0 | Connecting sleeve | 1.000 | ST |
| 4 | 6.906-240.0 | Crevice nozzle DN35 | 1.000 | ST |
| 3 | 6.902-030.0 | Sleeve NW35 | 1.000 | ST |
| 0 | 4.444-015.0 | Suction hose accessories | 1.000 | ST |
| 2 | 6.902-031.0 | Threaded ring DN32 | 1.000 | ST |

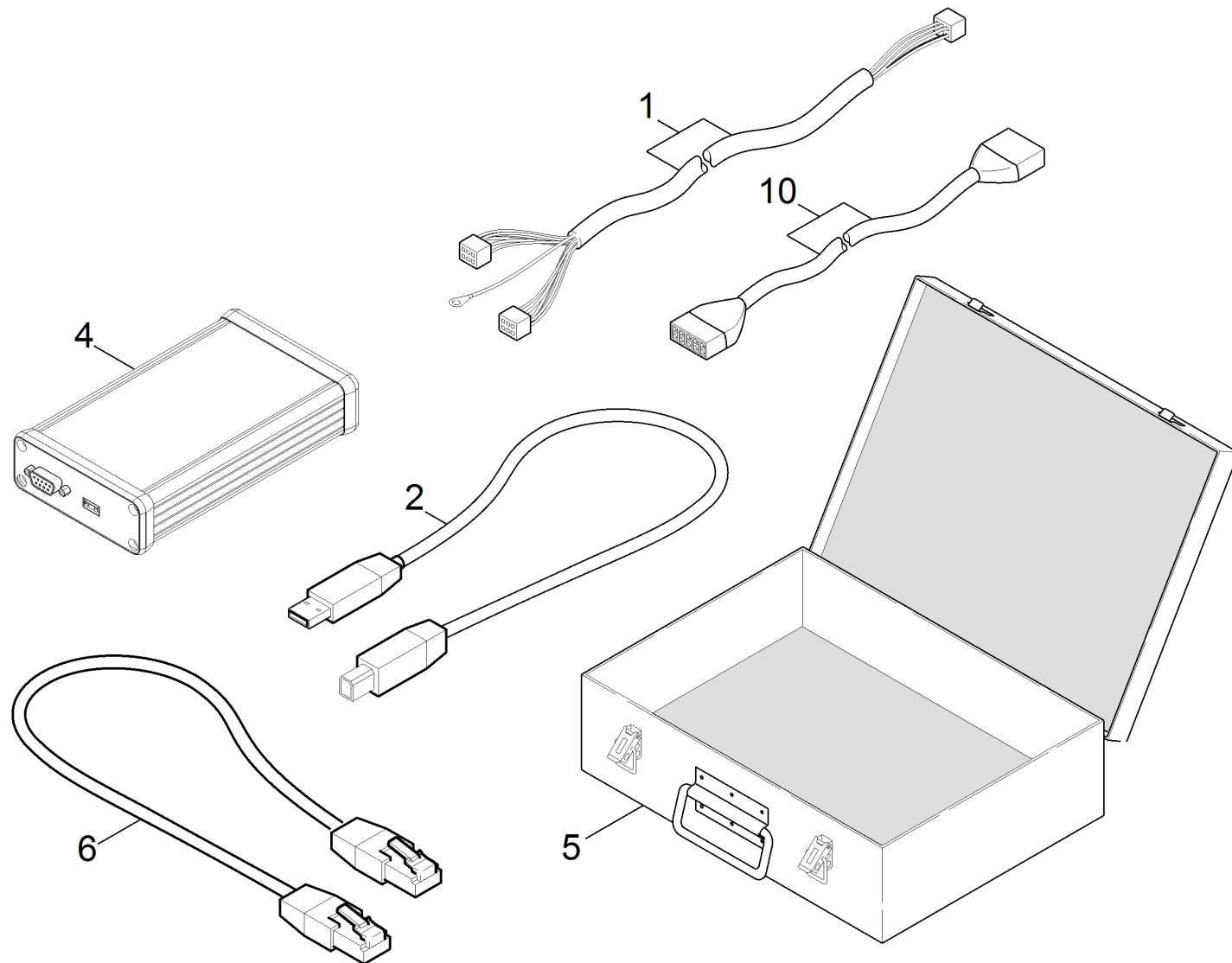
Suction hose accessories (4.444-015.0)

| POS | Article no. | Description | Quantity | Unit |
|------------|--------------------|---------------------|-----------------|-------------|
| 3 | 5.453-055.0 | Connecting sleeve | 1.000 | ST |
| 6 | 6.906-240.0 | Crevice nozzle DN35 | 1.000 | ST |
| 5 | 6.902-030.0 | Sleeve NW35 | 1.000 | ST |
| 4 | 6.902-031.0 | Threaded ring DN32 | 1.000 | ST |



80 Roll pad

| POS | Article no. | Description | Quantity | Unit | Remark |
|-----|-------------|----------------------------------|----------|------|-----------|
| 2 | 7.401-005.0 | Ball bearing 6302-2RS- DIN 6 | 1.000 | ST | |
| 3 | 5.112-736.0 | Bush hexagon 19mm | 1.000 | ST | |
| 5 | 7.343-037.0 | Locking ring 50x2-FST-RF DIN 471 | 1.000 | ST | |
| 6 | 6.369-455.0 | Pad green 105-20ST | 1.000 | ZSA | |
| 6 | 6.369-456.0 | Pad red 105-20ST | 1.000 | ZSA | |
| 6 | 6.369-389.0 | Pad white 105-20ST | 1.000 | ZSA | |
| 6 | 6.369-454.0 | Pad yellow 105-20ST | 1.000 | ZSA | |
| 0 | 4.762-316.0 | Roll pad BR 75/140R | 1.000 | ST | (L=700mm) |
| 0 | 4.762-189.0 | Roll pad BR 900 | 1.000 | ST | (L=800mm) |
| 4 | 5.005-267.0 | Ronde | 1.000 | ST | |
| 1 | 4.115-004.0 | Washer closure | 1.000 | ST | |



90 Service module CAN A9 (2.816-218.0)

| POS | Article no. | Description | Quantity | Unit |
|------------|--------------------|-------------------------------------|-----------------|-------------|
| 6 | 6.882-000.0 | Cable blue Patch | 1.000 | ST |
| 5 | 6.800-001.0 | Case with cellular plastics inserts | 1.000 | ST |
| 4 | 4.683-066.0 | Service module CAN | 1.000 | ST |
| 10 | 6.600-517.0 | Test cable Kompact CP2 | 1.000 | ST |
| 1 | 4.822-526.0 | Test cable service module | 1.000 | ST |
| 2 | 6.600-337.0 | USB-Cable | 1.000 | ST |