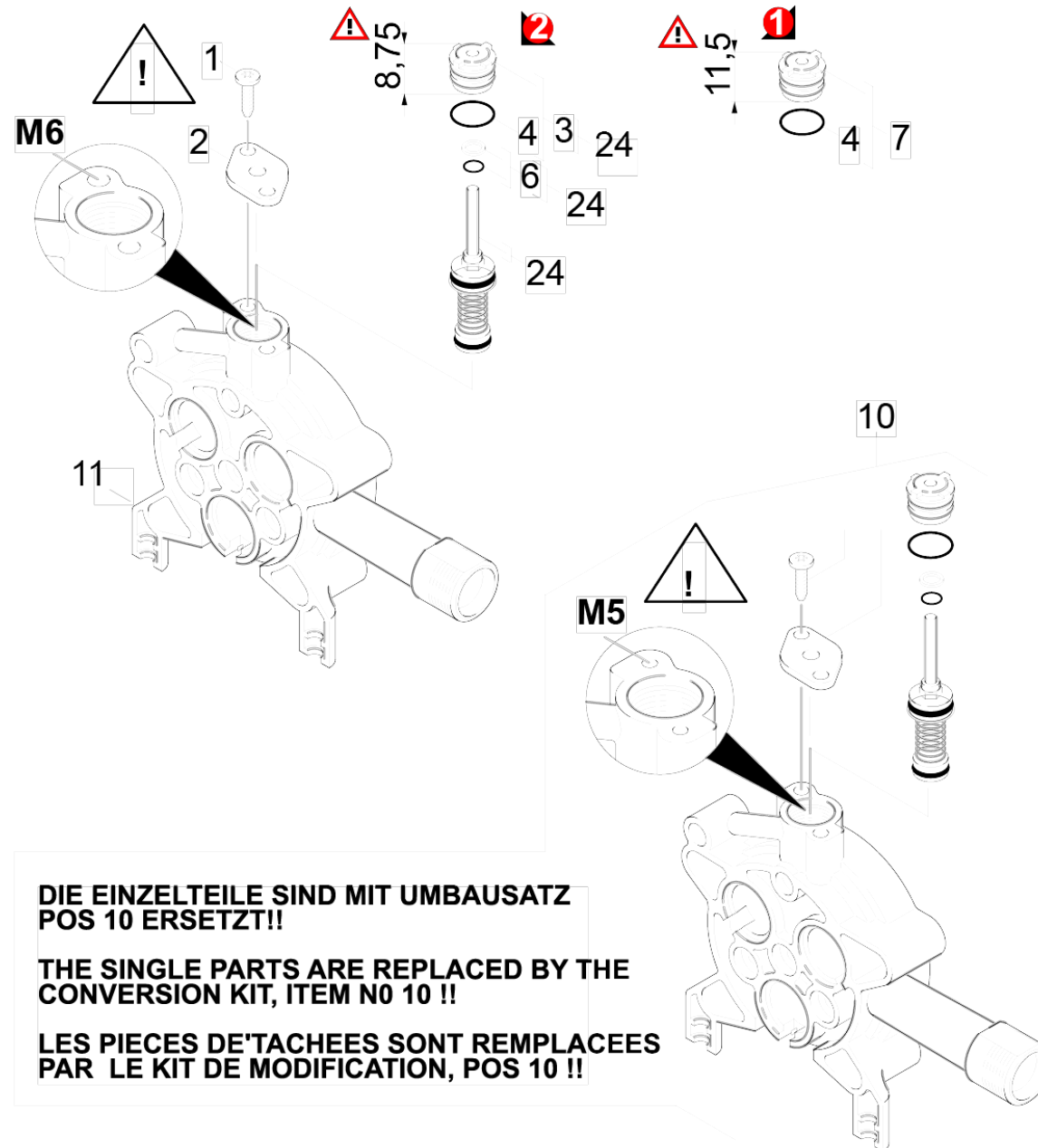


21 Excess-current

Home and Garden \ High pressure cleaner cold water \ Electric motor \ K 5 \ K 5.20M *EU \ Spare parts list K 520 M \ Pump set \ Excess-current

KÄRCHER



**DIE EINZELTEILE SIND MIT UMBAUSATZ
POS 10 ERSETZT!!**

**THE SINGLE PARTS ARE REPLACED BY THE
CONVERSION KIT, ITEM NO 10 !!**

**LES PIÈCES DÉTACHÉES SONT REMPLACÉES
PAR LE KIT DE MODIFICATION, POS 10 !!**

21 Excess-current

Home and Garden \ High pressure cleaner cold water \ Electric motor \ K 5 \ K 5.20M *EU \ Spare parts list K 520 M \ Pump set \ Excess-current

KÄRCHER

POS	Article no.	Description	Quantity	Unit	Remark	Foot note text
1	7.303-048.0	Screw M6x20 -St-R3R (In6Rd)	2	PC		
2	5.064-127.0	Cover	1	PC		
3	4.030-123.0	Moulded part complete only for replaceme	1	PC	VERSION 2	
4	6.362-169.0	O-Ring seal 12,0 X 2,0	1	PC		
6	6.362-852.0	O-Ring seal complete 3,69	1	PC		
7	7.777-999.0	Stockpiling discontinued	1	PC	VERSION 1	NO LONGER AVAILABLE/ PLEASE ORDER POS.24
10	2.883-832.0	Spare part set neutrally piston guidance	1	PC		ELECTRIC BOX ITM8/B5 INCLUDED TO SPARE PART KIT 2.883-832
11	5.060-642.0	Piston guidance	1	PC		
24	4.580-675.0	Excess-current complete D5,9 PUR	1	PC		
100	2.883-826.0	PUMP SET	1	PC		