

Spare parts list

(1.783-225.0) BR 30/4 C Bp Pack *EU

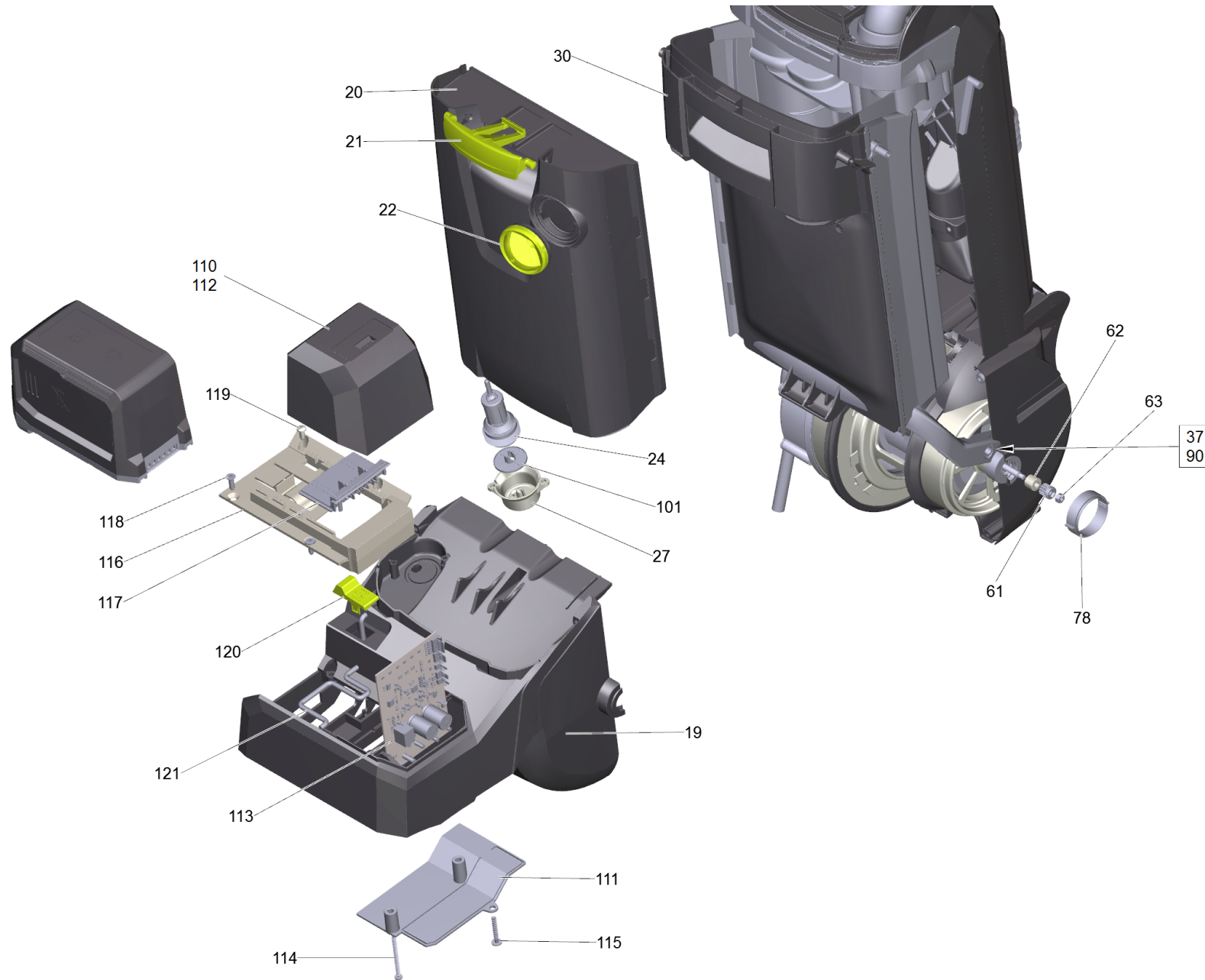
Table of contents

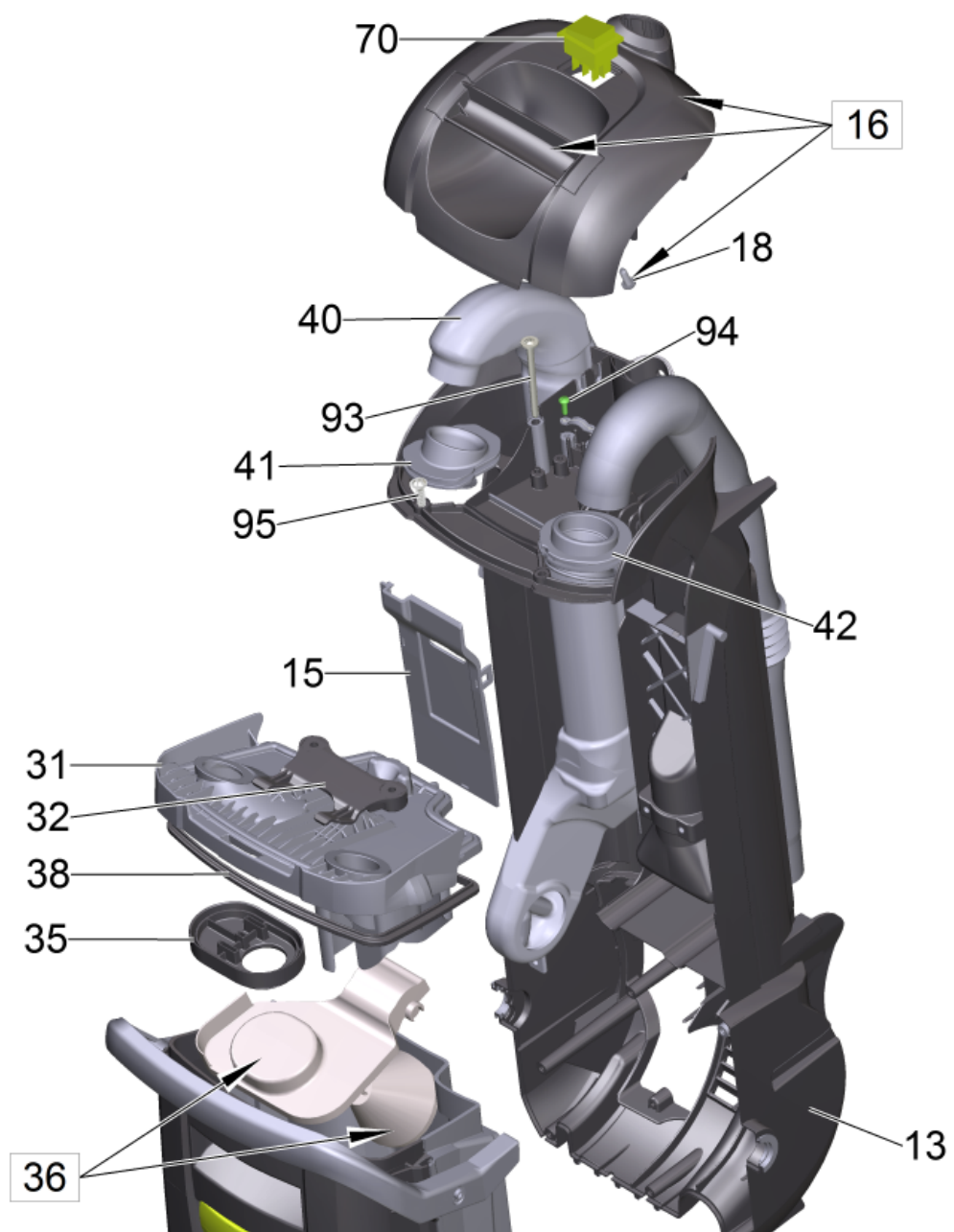
BR 30/4 C Bp Pack *EU (1.783-225.0)	3
10 Basic machinery BR 30/4 Bp 36V	5
16 Covering cap housing replacement (4.033-162.0)	13
22 Fuel tank filler cap replacement (4.033-749.0)	15
36 Float replacement (4.033-750.0)	17
20 Brush-head BR 30/4 C	19
18 Roller brush red complete BR 30/4 C (4.762-005.0)	24
18 Roller brush complete white (4.762-452.0)	26
18 Roll micro-fibre complete (4.762-453.0)	28
18 Roller brush orange complete 300 (4.762-484.0)	30

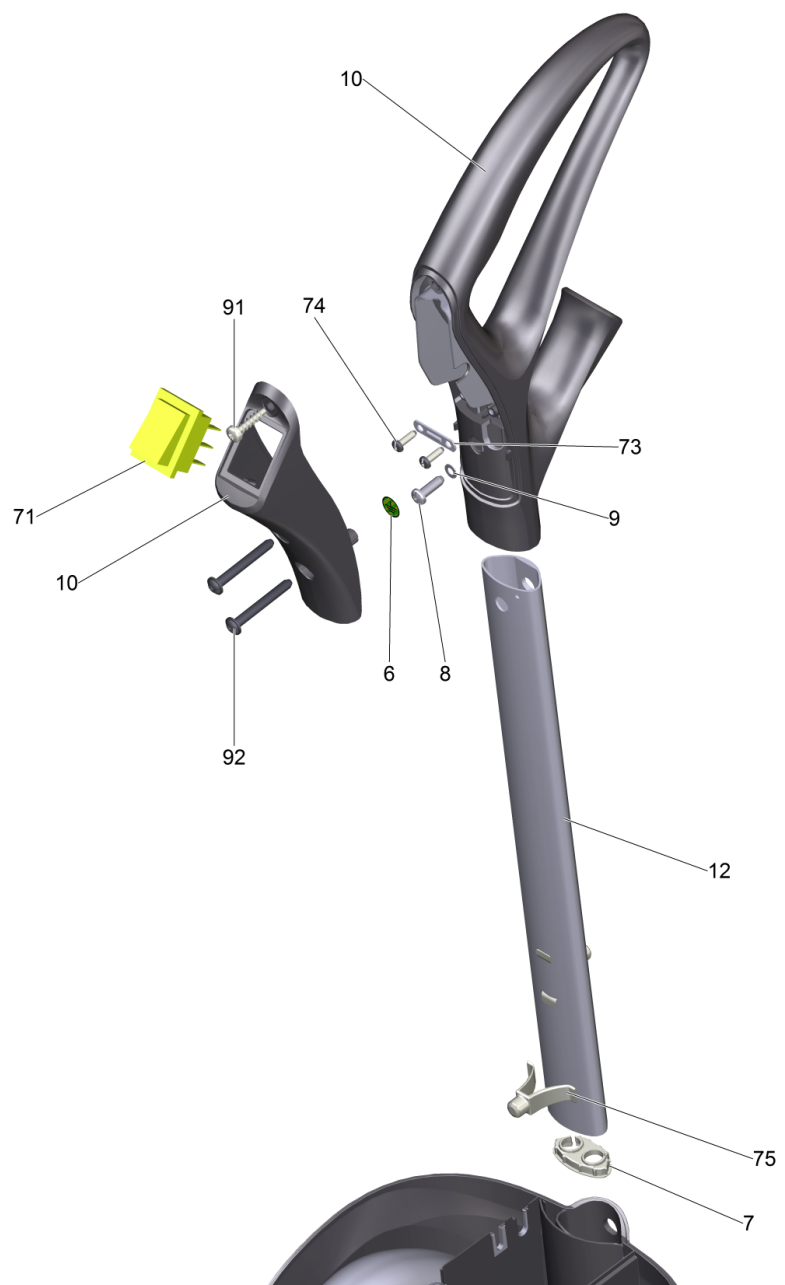


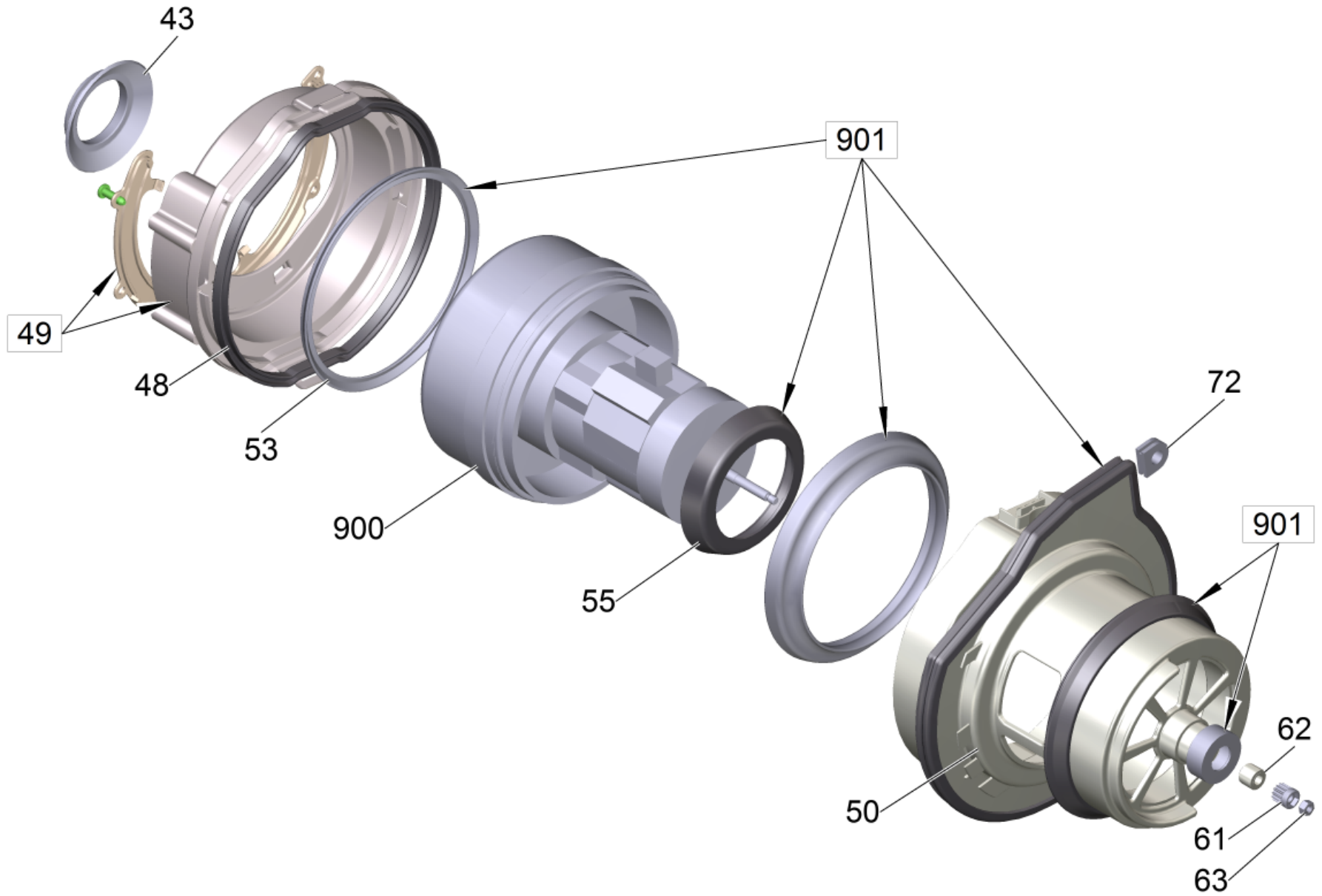
BR 30/4 C Bp Pack *EU (1.783-225.0)

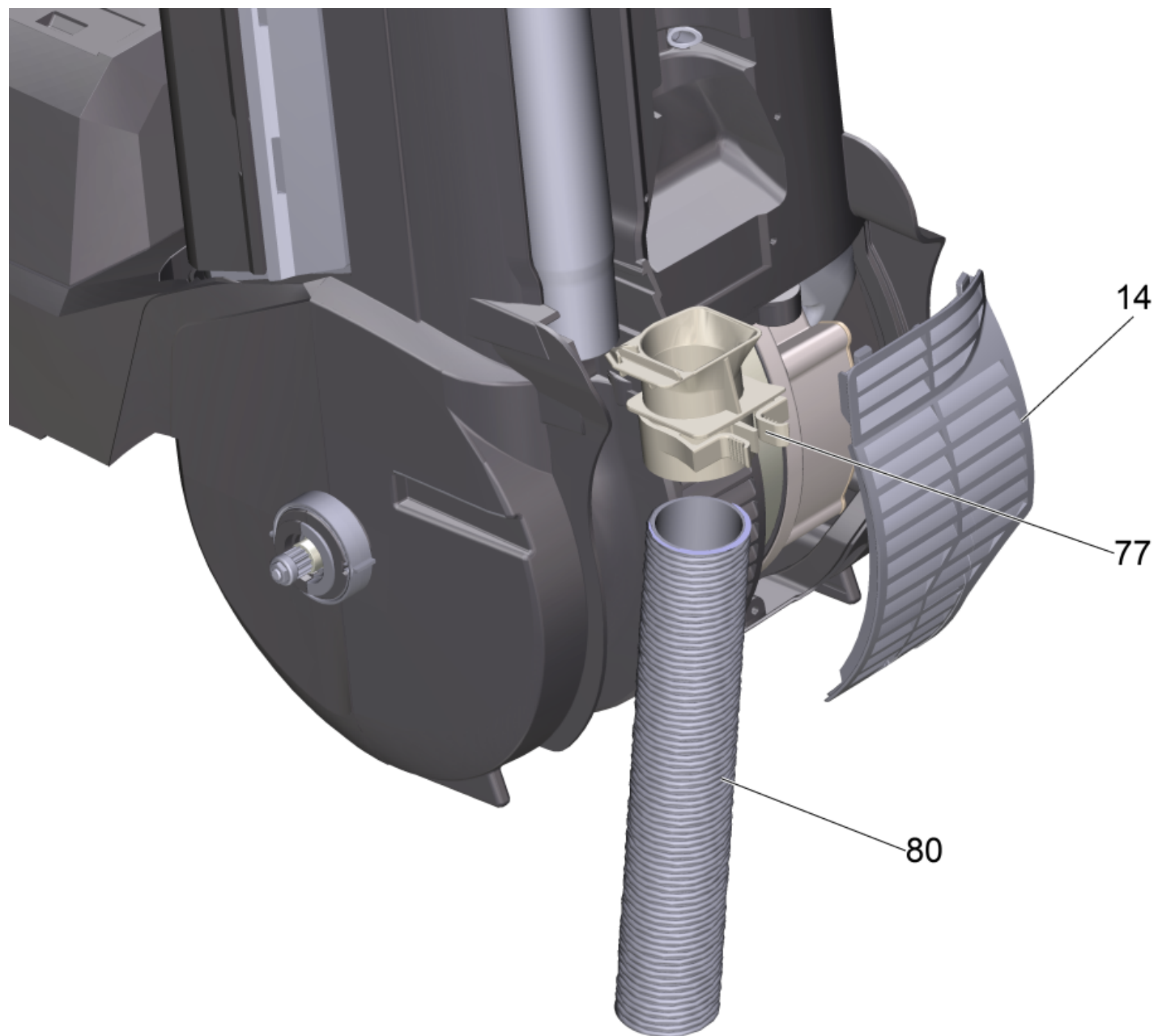
POS	Article no.	Description	Quantity	Unit
70	4.654-016.0	Accumulator package BP 750/36	1.000	ST
10		Basic machinery BR 30/4 Bp 36V	1.000	ST
71	6.654-354.0	BC 1/7 *EU	1.000	ST
20		Brush-head BR 30/4 C	1.000	ST
50		Cable harness BR 30/4 Bp 36V	1.000	ST
100		Service manual BR 30/4 Bp 36V	1.000	ST
11	5.033-179.0	Suction pipe tank	1.000	ST
9001	5.100-651.0	Washer weight	1.000	ST











10 Basic machinery BR 30/4 Bp 36V

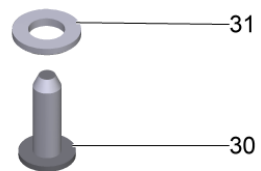
POS	Article no.	Description	Quantity	Unit
78	4.250-079.0	BEARING SHELL kpl.	2.000	ST
72	6.648-064.0	Cable bushing	1.000	ST
37	5.033-598.0	Carrier handle tank yellow	1.000	ST
73	6.903-241.0	Clamp clip	2.000	ST
117	6.631-011.0	Contact element accumulator	2.000	ST
113	4.683-095.0	Control system BR30/4Bp 36V	1.000	ST
118	6.303-057.0	Countersunk screw 5,0X 16-ST-A2R	2.000	ST
110	5.034-131.0	Cover electronics BR 30/4 Bp	1.000	ST
111	5.034-140.0	Cover electronics BR 30/4 Bp	1.000	ST
49	4.033-176.0	Cover enclosure replacement	1.000	ST
15	5.033-175.0	Covering cap cable	1.000	ST
16	4.033-162.0	Covering cap housing replacement	1.000	ST
31	5.033-181.0	Cover waste water tank	1.000	ST
50	5.033-176.0	Enclosure motor	1.000	ST
62	5.033-194.0	Flanged pulley pinion	1.000	ST
14	5.033-174.0	Flap ventilation	1.000	ST
36	4.033-750.0	Float replacement	1.000	ST
81	5.033-952.0	Form hose fresh water BR 30/4	1.000	ST
20	5.033-754.0	Fresh water tank	1.000	ST
22	4.033-749.0	Fuel tank filler cap replacement	1.000	ST
27	5.033-190.0	Funnel valve	1.000	ST
32	5.033-265.0	Guide cap of a tank	1.000	ST
10	4.033-170.0	Handhold complete replacement	1.000	ST
12	5.033-228.0	Handle Alu	1.000	ST
63	7.311-065.0	Hexagon nut M 5-A2-70 ISO 4032	1.000	ST
83	6.388-701.0	Hose clip with insert 13,3	1.000	ST
13	5.033-172.0	Housing	1.000	ST
6	6.643-145.0	Label earthing	1.000	ST
112	6.643-037.0	LED Indicator foil BR 30/4 Bp	1.000	ST
19	5.034-129.0	Motor housing battery BR 30/4	1.000	ST
61	5.033-263.0	Motor pinion z13 M3	1.000	ST
21	5.033-748.0	Notch fresh water tank	1.000	ST
28	6.362-604.0	O-Ring seal 27,0 X 3,0	1.000	ST

10 Basic machinery BR 30/4 Bp 36V

POS	Article no.	Description	Quantity	Unit
7	5.033-196.0	Plug handle	1.000	ST
70	6.630-480.0	Pushbutton two-pole	1.000	ST
116	5.034-133.0	Rail accumulator BR 30/4 Bp	2.000	ST
121	5.034-139.0	Retaining bracket locking part BR 30/4 B	1.000	ST
74	7.303-102.0	Screw 3,5x12 -A2-70-bk (In6Rd)	2.000	ST
94	7.303-095.0	Screw 4x 12-ST-10.9-R2R (IN6RD)	2.000	ST
114	6.303-547.0	Screw 4x50 -10.9-IN6RD T20	2.000	ST
119	7.303-097.0	Screw 5x12 -10.9-R2R (K-In6Rd)	2.000	ST
90	7.303-107.0	Screw 5x16 -10.9-P2R (K-In6Rd)	2.000	ST
18	7.303-107.0	Screw 5x16 -10.9-P2R (K-In6Rd)	2.000	ST
97	7.303-104.0	Screw 5x16 -A2-70 (IN6RD)	6.000	ST
29	7.303-104.0	Screw 5x16 -A2-70 (IN6RD)	2.000	ST
91	7.303-212.0	Screw 5x20 -A2-70 (In6Rd)	1.000	ST
95	7.303-086.0	Screw 5x30 -10.9-R2R (K-In6Rd)	2.000	ST
115	7.303-268.0	Screw 5x30 -A2-70 (In6Rd)	1.000	ST
96	7.303-268.0	Screw 5x30 -A2-70 (In6Rd)	3.000	ST
92	7.303-118.0	Screw 5x40 -A2-70 (IN6Rd)	5.000	ST
93	6.303-100.0	Screw 5x65 (Kombi-IN6RD)	2.000	ST
8	7.303-030.0	Screw M4x8 -St-P2R (In6Rd)	1.000	ST
55	5.363-395.0	Seal	1.000	ST
38	5.363-711.0	Seal cover tank SW	1.000	ST
48	5.363-725.0	Seal enclosure	1.000	ST
35	5.363-702.0	Seal float	1.000	ST
42	5.363-688.0	Sealing lip SWT-SL-SB	1.000	ST
41	5.363-687.0	Sealing lip SWT-SL-T	1.000	ST
43	5.363-689.0	Sealing lip vac motor SL	1.000	ST
53	5.363-690.0	Seal turbine front	1.000	ST
9	7.312-230.0	Serrated lock washer A4,3-FSt-A3E DIN67	1.000	ST
901	4.363-690.0	Set of gaskets	1.000	ST
77	5.407-135.0	Sleeve suction tube qusty grey	1.000	ST
120	5.034-138.0	Slider releasing device BR 30/4 Bp	1.000	ST
75	5.033-195.0	Spring handle	2.000	ST
101	5.033-905.0	Strainer fresh water	1.000	ST

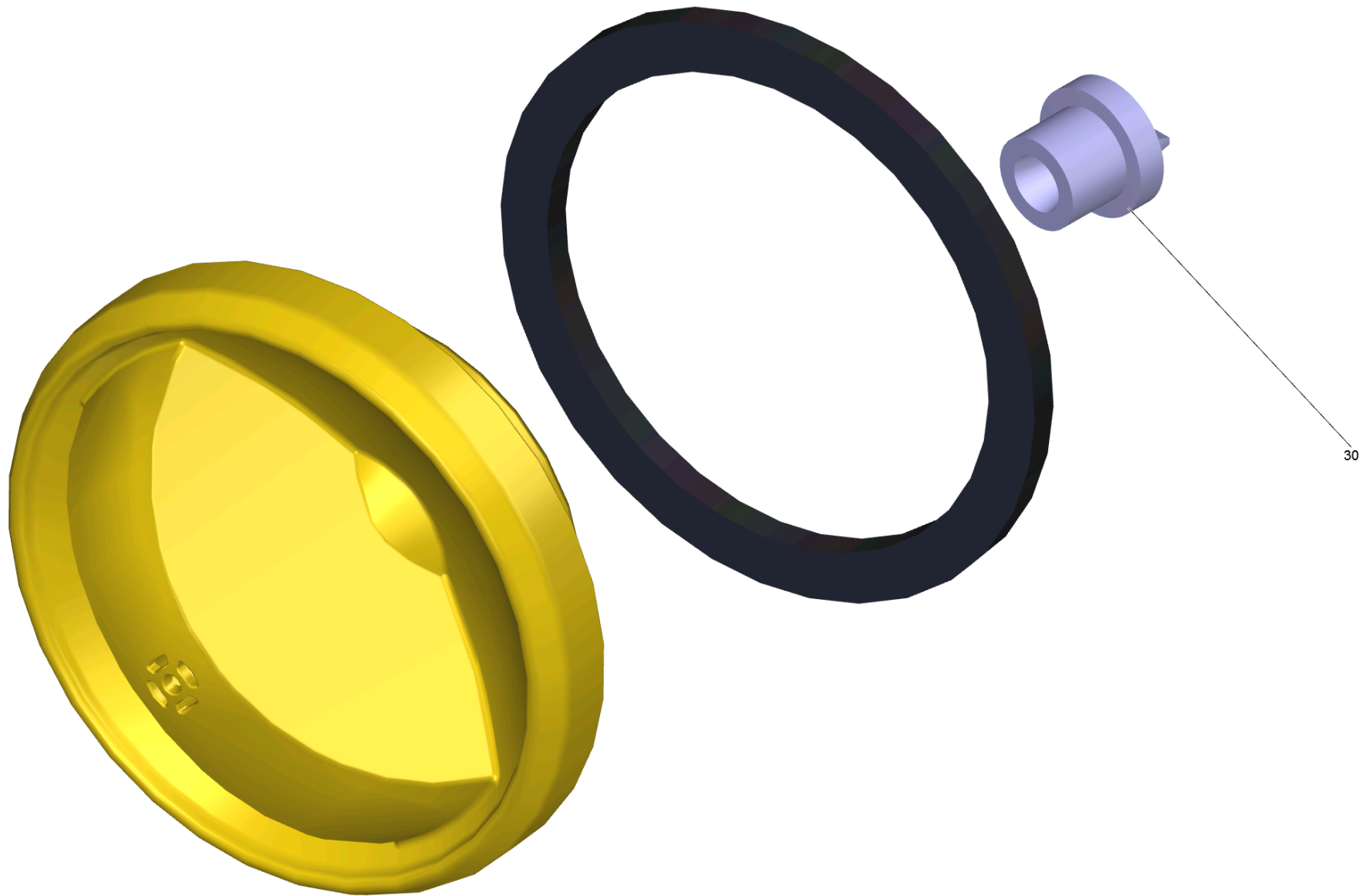
10 Basic machinery BR 30/4 Bp 36V

POS	Article no.	Description	Quantity	Unit
80	6.391-724.0	Suction hose DN32 -130mm	1.000	ST
40	5.033-178.0	Suction pipe turbine	1.000	ST
71	6.630-488.0	Switch lamp 24V	1.000	ST
900	4.490-026.0	Turbine set 36V 500W	1.000	ST
24	4.190-029.0	Valve fresh water tank BR 30/4	1.000	ST
130	7.312-026.0	Washer 6 -A2 ISO 7090	2.000	ST
30	5.033-747.0	Waste water tank	1.000	ST



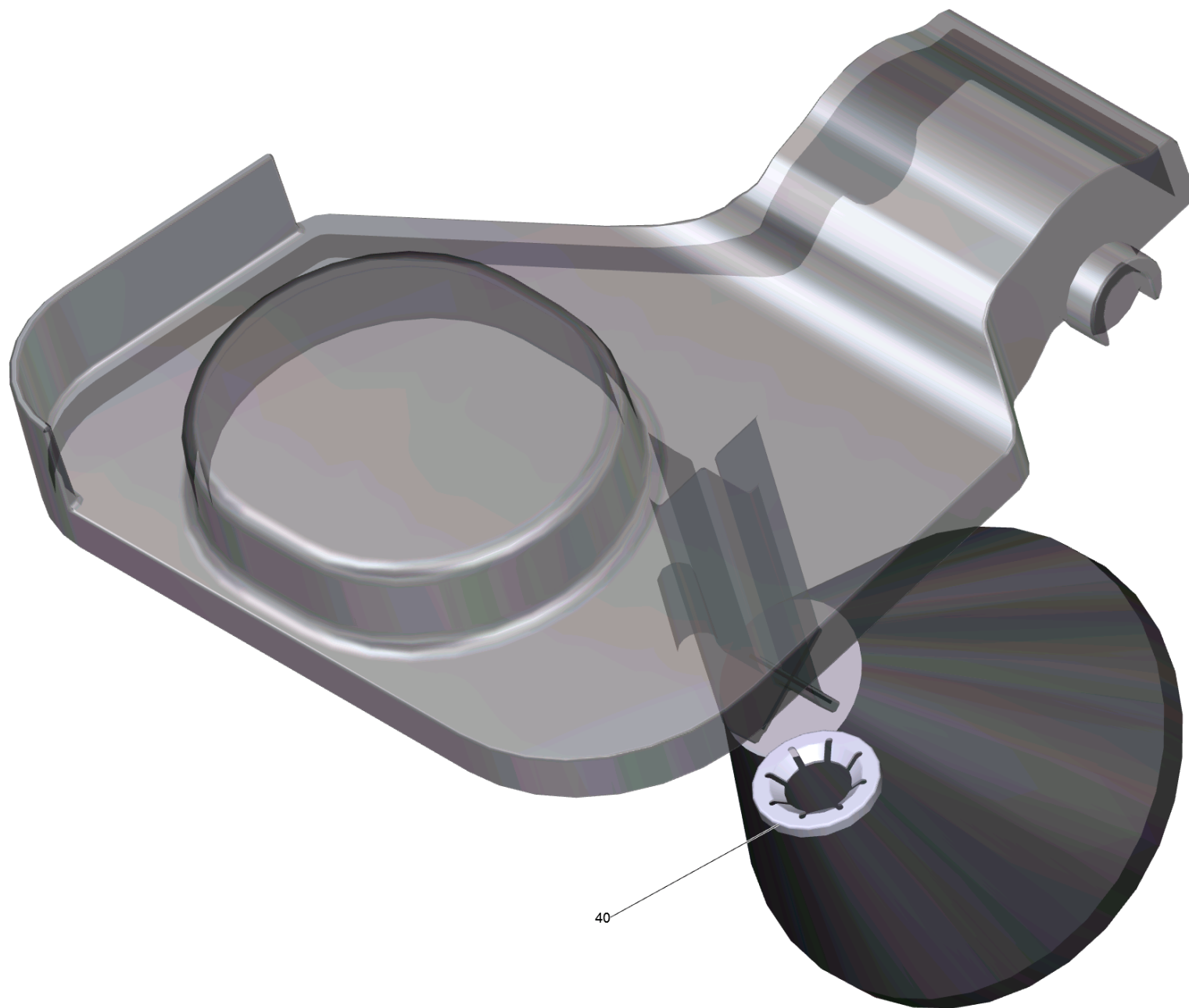
16 Covering cap housing replacement (4.033-162.0)

POS	Article no.	Description	Quantity	Unit
30	7.303-107.0	Screw 5x16 -10.9-P2R (K-In6Rd)	2.000	ST
31	7.312-026.0	Washer 6 -A2 ISO 7090	2.000	ST



22 Fuel tank filler cap replacement (4.033-749.0)

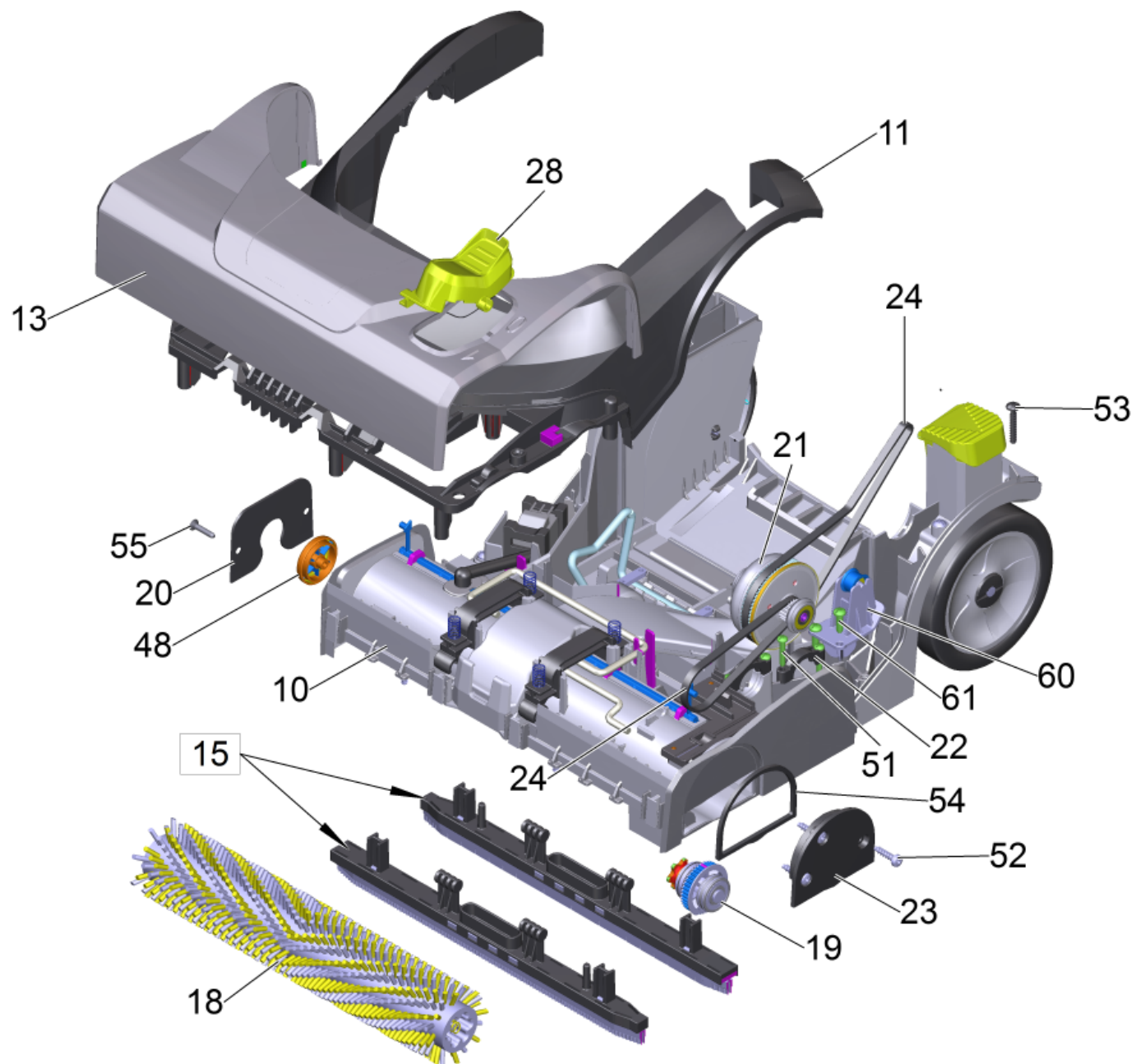
POS	Article no.	Description	Quantity	Unit
30	6.414-896.0	Ventilating valve	1.000	ST

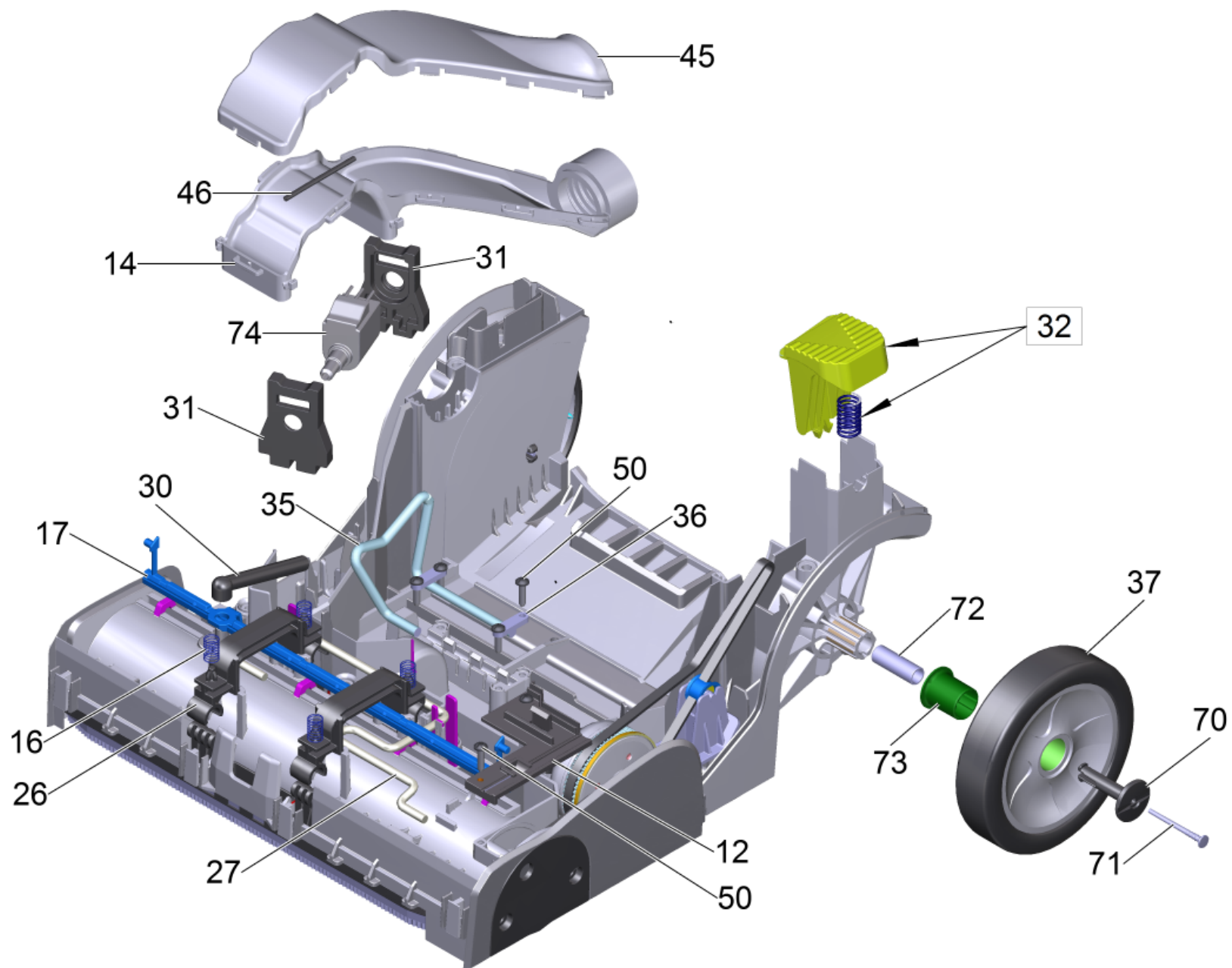


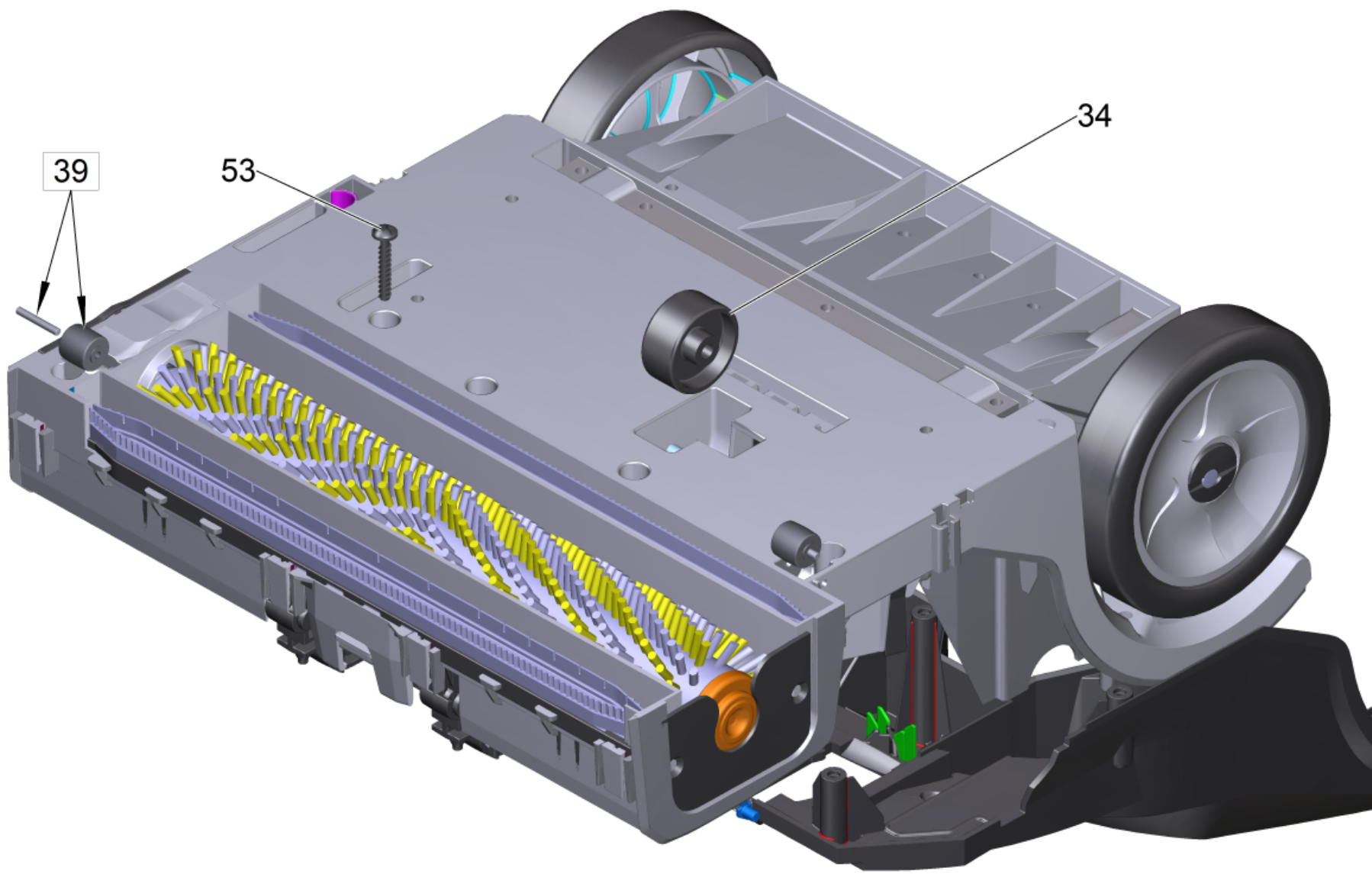
40

36 Float replacement (4.033-750.0)

POS	Article no.	Description	Quantity	Unit
40	6.343-149.0	Quick-fastener	1.000	ST





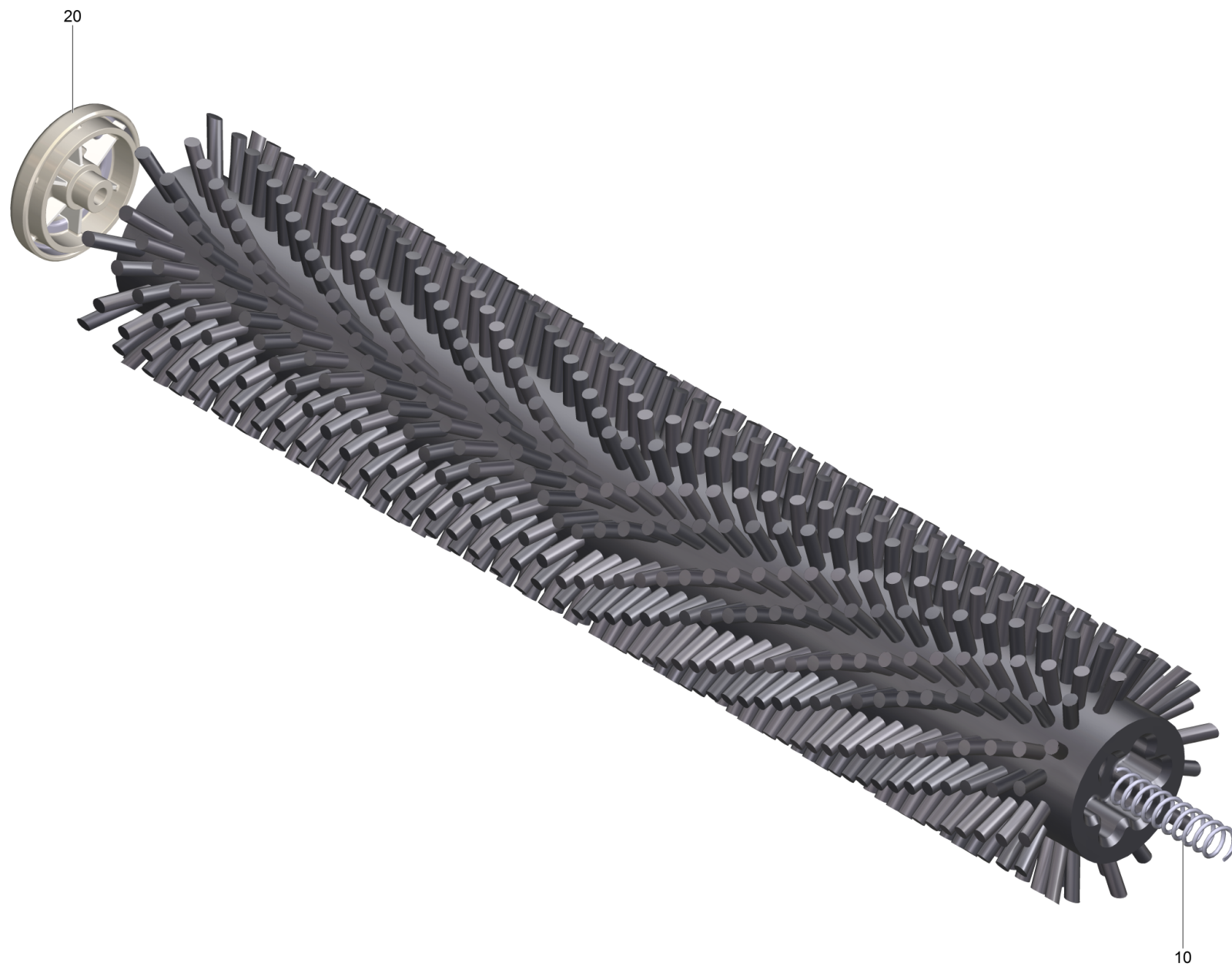


20 Brush-head BR 30/4 C

POS	Article no.	Description	Quantity	Unit
19	3.763-098.0	Assembly group brushes drive	1.000	ST
13	5.033-202.0	Bumper	1.000	ST
72	5.112-863.0	Bush	2.000	ST
55	7.303-269.0	Countersunk screw 4x20 -A2-70 (In6Rd)	2.000	ST
22	5.033-222.0	Coupler clamp block	2.000	ST
21	4.470-043.0	Coupler complete	1.000	ST
11	5.033-755.0	Covering cap brush-head	1.000	ST
12	5.033-238.0	Covering cap plate switch	1.000	ST
23	5.033-223.0	cover retainer transmission	1.000	ST
30	5.363-698.0	HOSE NOZZLE	1.000	ST
10	5.033-200.0	Housing brush-head	1.000	ST
32	4.481-291.0	Pedal complete only for replacement	1.000	ST
28	5.033-225.0	Pedal suction bar	1.000	ST
71	5.033-279.0	Pin snap-fit wheel	2.000	ST
73	5.033-264.0	Plain bearing with collar	2.000	ST
60	4.470-040.0	Pressure roller complete	1.000	ST
74	6.473-553.0	Pump 24V	1.000	ST
35	5.034-826.0	Retaining bracket height adjustment	1.000	ST
27	5.034-803.0	Retaining bracket suction bar	1.000	ST
20	5.009-415.0	Retaining plate brush	1.000	ST
18	4.762-452.0	Roller brush complete white	1.000	ST
18	4.762-484.0	Roller brush orange complete 300	1.000	ST
18	4.762-005.0	Roller brush red complete BR 30/4 C	1.000	ST
39	4.880-058.0	Roller set	1.000	ST
18	4.762-453.0	Roll micro-fibre complete	1.000	ST
31	5.363-694.0	rubber pump	2.000	ST
50	7.303-026.0	Screw 4x16 -A2-70 (In6Rd)	6.000	ST
51	7.303-096.0	Screw 4x22 -ST-10.9-R2R (IN6RD)	4.000	ST
61	7.303-104.0	Screw 5x16 -A2-70 (IN6RD)	2.000	ST
52	7.303-212.0	Screw 5x20 -A2-70 (In6Rd)	3.000	ST
53	7.303-268.0	Screw 5x30 -A2-70 (In6Rd)	12.000	ST
54	5.363-713.0	Seal Lagerdeckel	1.000	ST
46	6.273-037.0	Seal string cellular rubber 3	0.575	M

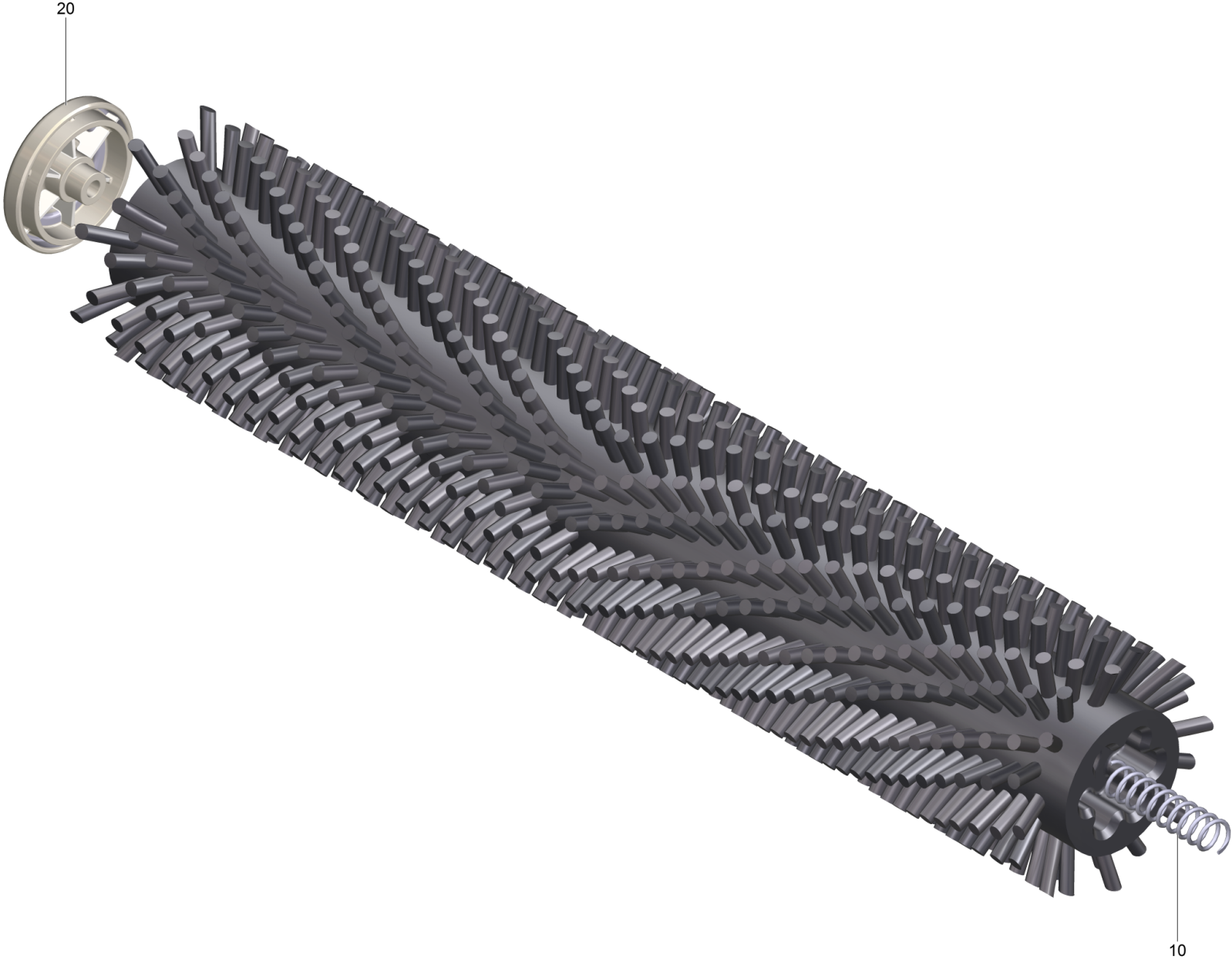
20 Brush-head BR 30/4 C

POS	Article no.	Description	Quantity	Unit
70	5.033-208.0	Snap-fit wheel	2.000	ST
16	5.332-952.0	Spring	4.000	ST
36	6.647-513.0	Strain relief	2.000	ZST
17	5.190-255.0	Strip water distributor	1.000	ST
15	4.777-324.0	Suction bar complete oil resistant 300	1.000	ST
15	4.777-008.0	Suction bar complete replacement Silikon	2.000	ST
14	5.033-207.0	Suction channel brush-head	1.000	ST
45	5.033-258.0	Suction channel top part	1.000	ST
48	5.033-230.0	Thread deflector	1.000	ST
24	4.348-450.0	Toothed belt set	1.000	ST
26	5.033-224.0	Web suction bar	2.000	ST
34	5.515-069.0	Wheel	1.000	ST
37	5.515-366.0	Wheel D121	2.000	ST



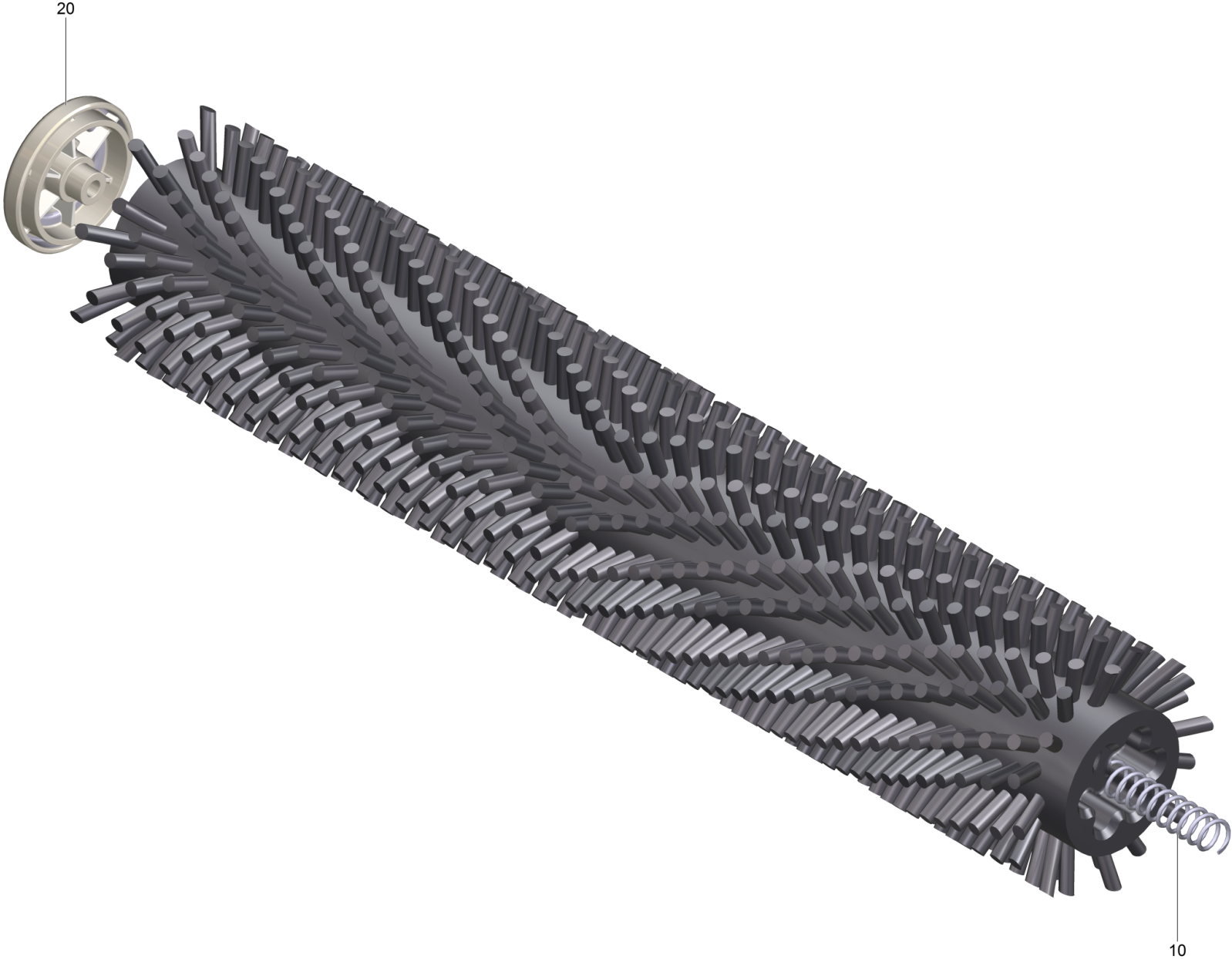
18 Roller brush red complete BR 30/4 C (4.762-005.0)

POS	Article no.	Description	Quantity	Unit
10	5.332-082.0	Helical spring	1.000	ST
20	5.033-230.0	Thread deflector	1.000	ST



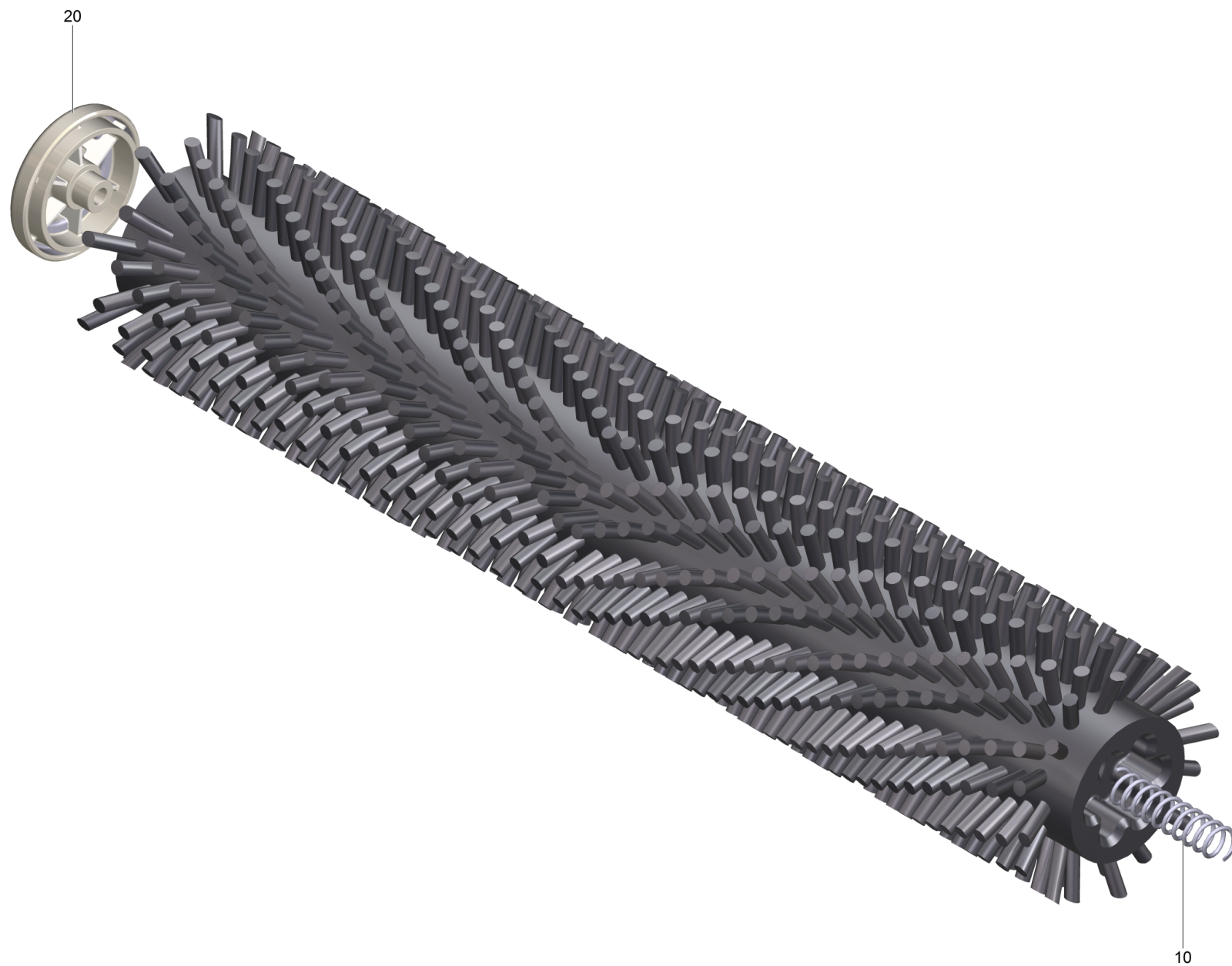
18 Roller brush complete white (4.762-452.0)

POS	Article no.	Description	Quantity	Unit
10	5.332-082.0	Helical spring	1.000	ST
20	5.033-230.0	Thread deflector	1.000	ST



18 Roll micro-fibre complete (4.762-453.0)

POS	Article no.	Description	Quantity	Unit
10	5.332-082.0	Helical spring	1.000	ST
20	5.033-230.0	Thread deflector	1.000	ST



18 Roller brush orange complete 300 (4.762-484.0)

POS	Article no.	Description	Quantity	Unit
10	5.332-082.0	Helical spring	1.000	ST
20	5.033-230.0	Thread deflector	1.000	ST