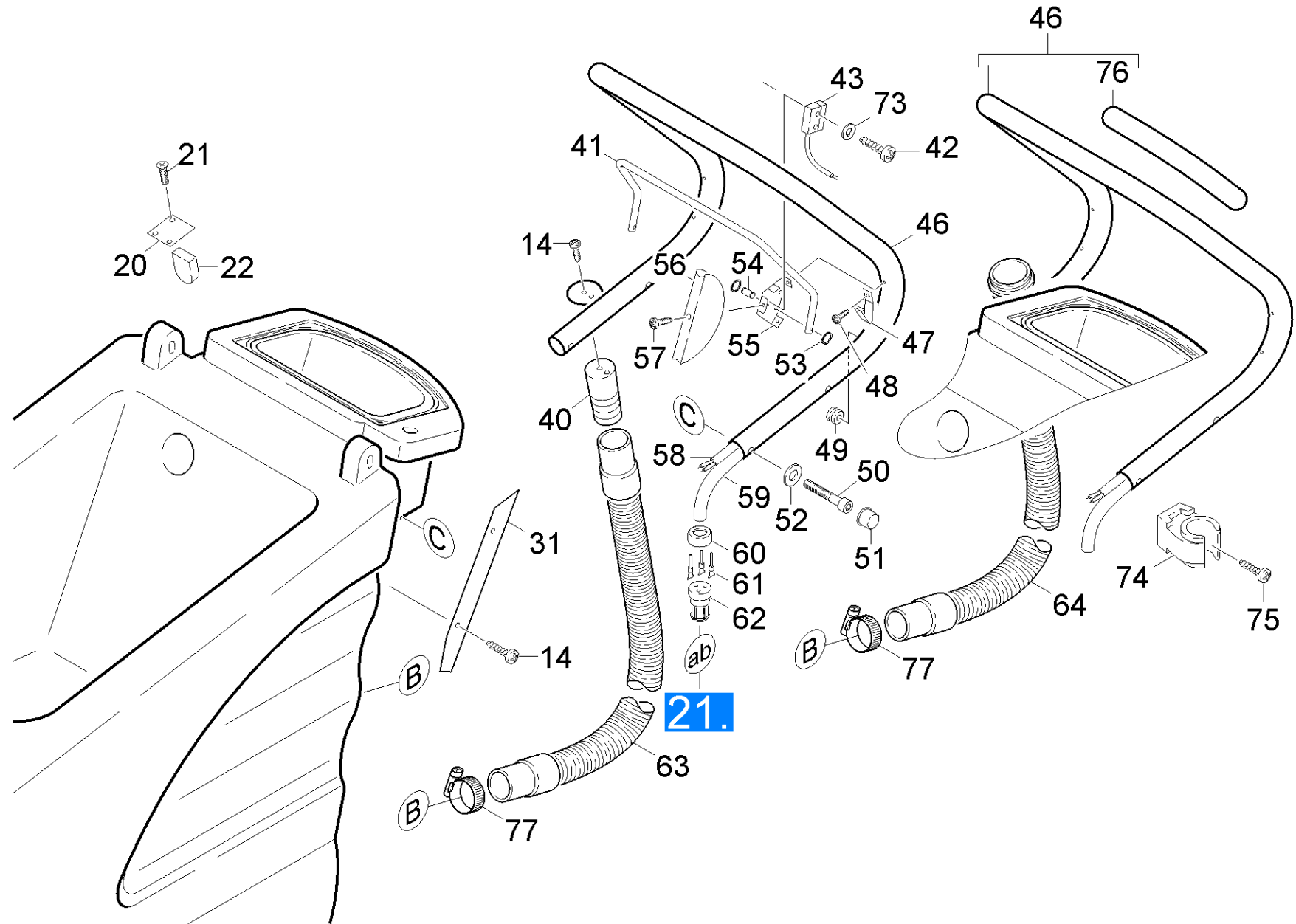


24 Handhold

Overview technical documents/Professional/Floor cleaner/Walk behind/BR 530 XL *EU (1.127-221.0)/Spare parts list BR 530 Netz/20 Appliance individual parts/24 Handhold



24 Handhold

Overview technical documents/Professional/Floor cleaner/Walk behind/BR 530 XL *EU (1.127-221.0)/Spare parts list BR 530 Netz/20 Appliance individual parts/24 Handhold

Rez.daļas/nodil.pakļ.daļas	Poz.	Materiāla Nr.	Nosaukums	Daudzums	Pārdoš. vienība	no sēr. Nr..	līdz sēr. Nr.
	14	7.303-129.0	Skrūve 4x16 -10.9-R2R (K-In6Rd)	2.000	ST	0000000000	0000000000
	20	5.004-837.0	Strap RBE4/ SPUR 3820	1.000	ST	0000000000	0000000000
	21	7.303-125.0	Countersunk screw 4x16 -10.9-R2R (In6Rd)	3.000	ST	0000000000	0000000000
	22	5.365-220.0	Seal stop	2.000	ST	0000000000	0000000000
	31	5.001-716.0	Plate	1.000	ST	0000000000	0000000000
	40	5.030-350.0	Moulded part	1.000	ST	0000000000	0000014814
	41	5.034-554.0	Retaining bracket cabinet	1.000	ST	0000000000	0000000000
	42	7.303-386.0	Skārda skr. ST2,2X13,0-ST-A2E ISO	2.000	ST	0000000000	0000000000
	43	6.630-061.0	Micro switch	1.000	ST	0000000000	0000000000
	46	4.321-099.0	Handhold	1.000	ST	0000000000	0000014814
	46	4.321-134.0	Handhold	1.000	ST	0000014815	0000000000
	47	5.337-031.0	Plate spring stop	1.000	ST	0000000000	0000000000
	48	7.303-031.0	screw	4.000	ST	0000000000	0000000000
	49	6.641-450.0	Wire protecting sleeve	1.000	ST	0000000000	0000000000
Pozīcijas teksts: / 1.127-141.0 / -241.0 / -341.0/ -441.0							
	50	7.306-044.0	Cylinder head screw M8x35	4.000	ST	0000000000	0000000000
	51	6.368-295.0	protecting cap	4.000	ST	0000000000	0000000000
	52	7.312-004.0	Paplāksne 8 -200HV-A3E ISO 7090	4.000	ST	0000000000	0000000000
	53	7.343-305.0	Lock washer 3,2-A2 DIN 6799	4.000	ST	0000000000	0000000000
	54	5.316-862.0	Bolt stop	2.000	ST	0000000000	0000000000
	55	5.044-120.0	Holder storage cabinet	2.000	ST	0000000000	0000000000
	56	5.031-541.0	Covering cap	1.000	ST	0000000000	0000000000
	57	7.303-135.0	Sheet metal screw ST4,2X 6,5-ST-A2R (IN	2.000	ST	0000000000	0000000000
	58	6.648-026.0	Cable green/yellow 0,75mm²x370mm	1.000	ST	0000000000	0000000000
Pozīcijas teksts: / 1.127-141.0 / -241.0 / -341.0/ -441.0							

24 Handhold

Overview technical documents/Professional/Floor cleaner/Walk behind/BR 530 XL *EU (1.127-221.0)/Spare parts list BR 530 Netz/20 Appliance individual parts/24 Handhold

Rez.daļas/nodil.pakļ.dajas	Poz.	Materiāla Nr.	Nosaukums	Daudzums	Pārdoš. vienība	no sēr. Nr..	līdz sēr. Nr.
	59	6.642-003.0	Insulating hose 4	1.000	M	0000000000	0000000000
	60	6.647-995.0	Cap rubber two-core -60x200	1.000	ST	0000000000	0000000000
Pozīcijas teksts: / 1.127-141.0 / -241.0 / -341.0/ -441.0							
	61	6.646-390.0	Pin contact 0,3-0,5mm ²	3.000	ST	0000000000	0000000000
	62	6.646-389.0	Plug housing triple-pole	1.000	ST	0000000000	0000000000
Pozīcijas teksts: / 1.127-141.0 / -241.0 / -341.0/ -441.0							
	63	4.446-010.0	Drain hose BR/BD 530	1.000	ST	0000014770	0000000000
	63	6.390-177.0	Filter	1.000	ST	0000000000	0000014769
X-X	64	6.391-994.0	Drain hose	1.000	ST		
	73	7.312-067.0	Washer 4-A2 ISO 7089	2.000	ST	0000000000	0000000000
	74	6.373-692.0	Pipe clip D 63	1.000	ST	0000014815	0000000000
	75	7.306-119.0	Cylinder head screw M8x12 -A2-70 ISO 47	1.000	ST	0000014815	0000000000
	76	6.390-269.0	Hose	1.000	M	0000014815	0000000000
	77	6.388-549.0	Hose clip	1.000	ST	0000000000	0000000000