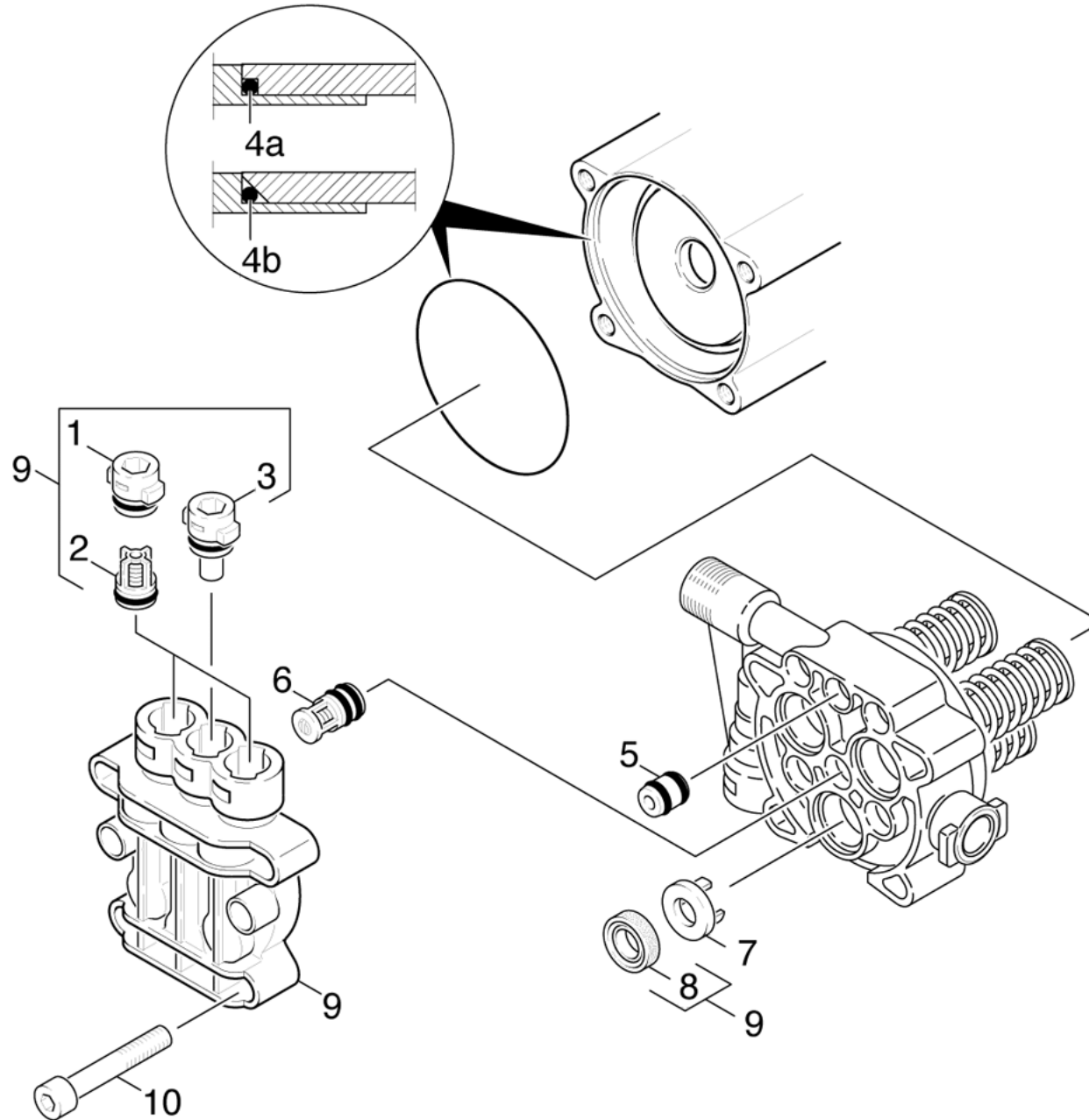


21 Cylinder head

Home and Garden \ High pressure cleaner cold water \ Electric motor \ K 3 \ K 300 B * GB \ Spare parts list K 300 \ Pump set \ Cylinder head



21 Cylinder head

Home and Garden \ High pressure cleaner cold water \ Electric motor \ K 3 \ K 300 B * GB \ Spare parts list K 300 \ Pump set \ Cylinder head

KÄRCHER

POS	Article no.	Description	Quantity	Unit	Foot note text
1	6.964-030.0	Valve plug	2	PC	
2	4.580-285.0	Valve complete	3	PC	
3	6.964-032.0	Valve plug	1	PC	
4	6.964-033.0	O-Ring seal 72,69X 2,62	1	PC	VERSION A
4	9.081-375.0	O-Ring seal 70,0x2,5	1	PC	VERSION B
5	6.964-034.0	Bush	3	PC	
6	6.964-035.0	Suction valve complete	3	PC	
7	9.036-083.0	Washer	3	PC	
8	6.362-875.0	Grooved ring	3	PC	
9	6.964-038.0	Cylinder head	1	PC	
10	7.306-039.0	Cylinder head screw M8x50 -8.8-A2E ISO	4	PC	
100	6.964-056.0	PUMP SET	1	PC	