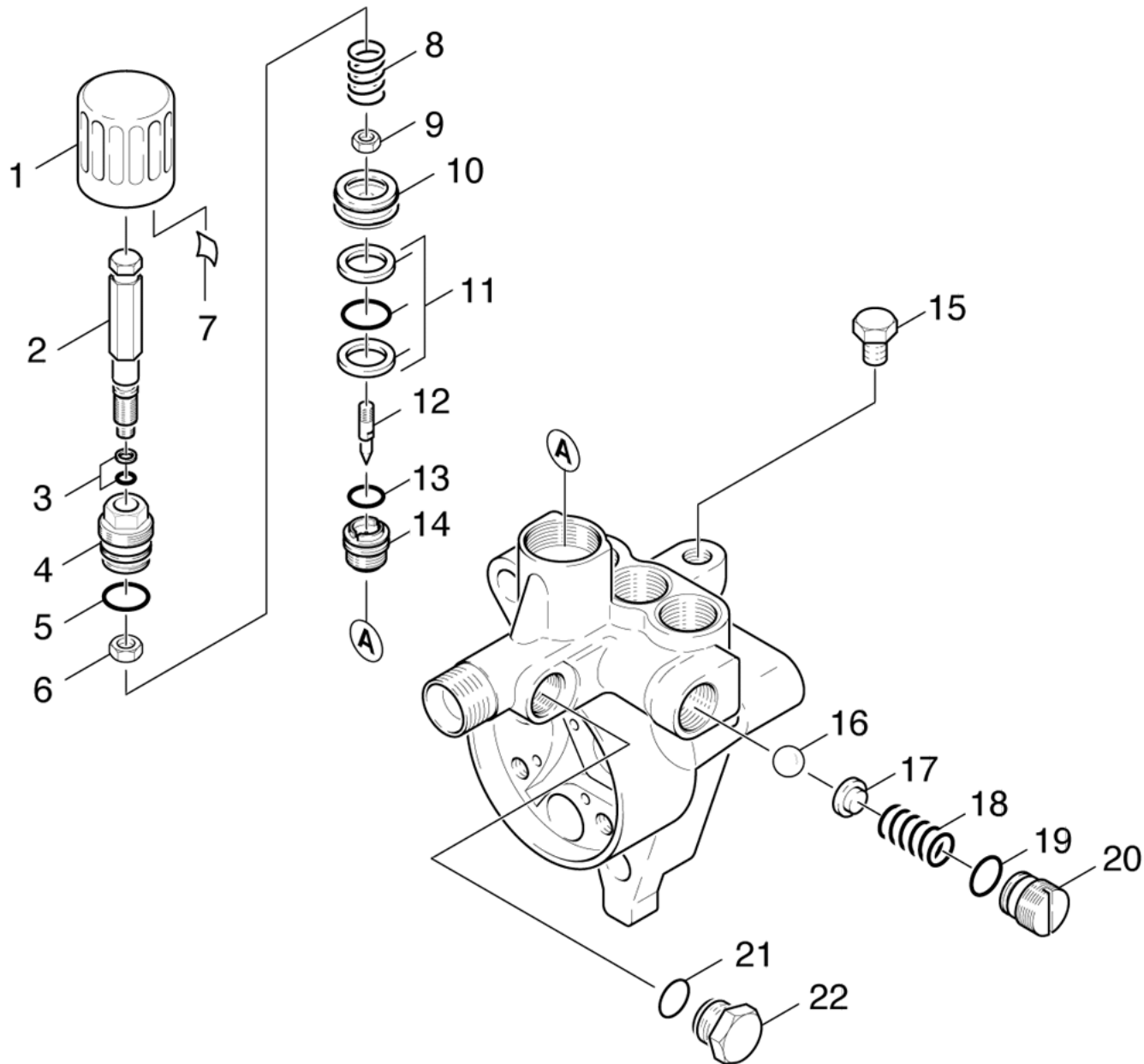


## 23 Quantity adjustment

Professional \ High pressure cleaner hotwater \ Electric motor \ HDS 801 E - 24 KW \ Spare parts list HDS 801 E \ Pump set \ Quantity adjustment



## 23 Quantity adjustment

Professional \ High pressure cleaner hotwater \ Electric motor \ HDS 801 E - 24 KW \ Spare parts list HDS 801 E \ Pump set \ Quantity adjustment



POS	Article no.	Description	Quantity	Unit
1	5.321-283.0	Handhold	1	PC
2	5.304-051.0	Hexagonal head screw	1	PC
3	6.362-468.0	O-Ring seal complete 1ST.-R.	1	PC
4	5.411-057.0	Screw plug	1	PC
5	6.362-596.0	O-Ring seal 22,0 X 1,5	1	PC
6	7.311-218.0	Hexagon nut M 6-LH-CU2 ISO 4035	1	PC
7	6.313-003.0	Locking spring	1	PC
8	5.332-160.0	Helical spring	1	PC
9	7.311-037.0	Hexagon nut M 5-CU2 ISO 4032	1	PC
10	5.553-217.0	Piston	1	PC
11	6.362-610.0	O-Ring seal complete 2ST.-R.	1	PC
12	5.584-066.0	Valve pin	1	PC
13	6.362-480.0	O-Ring seal 12,42x 1,78	1	PC
14	5.581-126.0	Valve seat	1	PC
15	7.382-273.0	Screw plug R1/4"-CuZn DIN 909	1	PC
16	7.401-908.0	Sphere 7 G300 -1.4301 DIN 5401	1	PC
17	5.582-075.0	Valve disc	1	PC
18	5.332-203.0	Helical spring	1	PC
19	6.362-169.0	O-Ring seal 12,0 X 2,0	1	PC
20	5.583-089.0	Valve screw	1	PC
21	6.362-527.0	O-Ring seal 12,0 X 1,5-NBR 70	1	PC
22	5.411-074.0	Screw plug	1	PC
100	2.883-446.0	Pump set HDS 801 E	1	PC