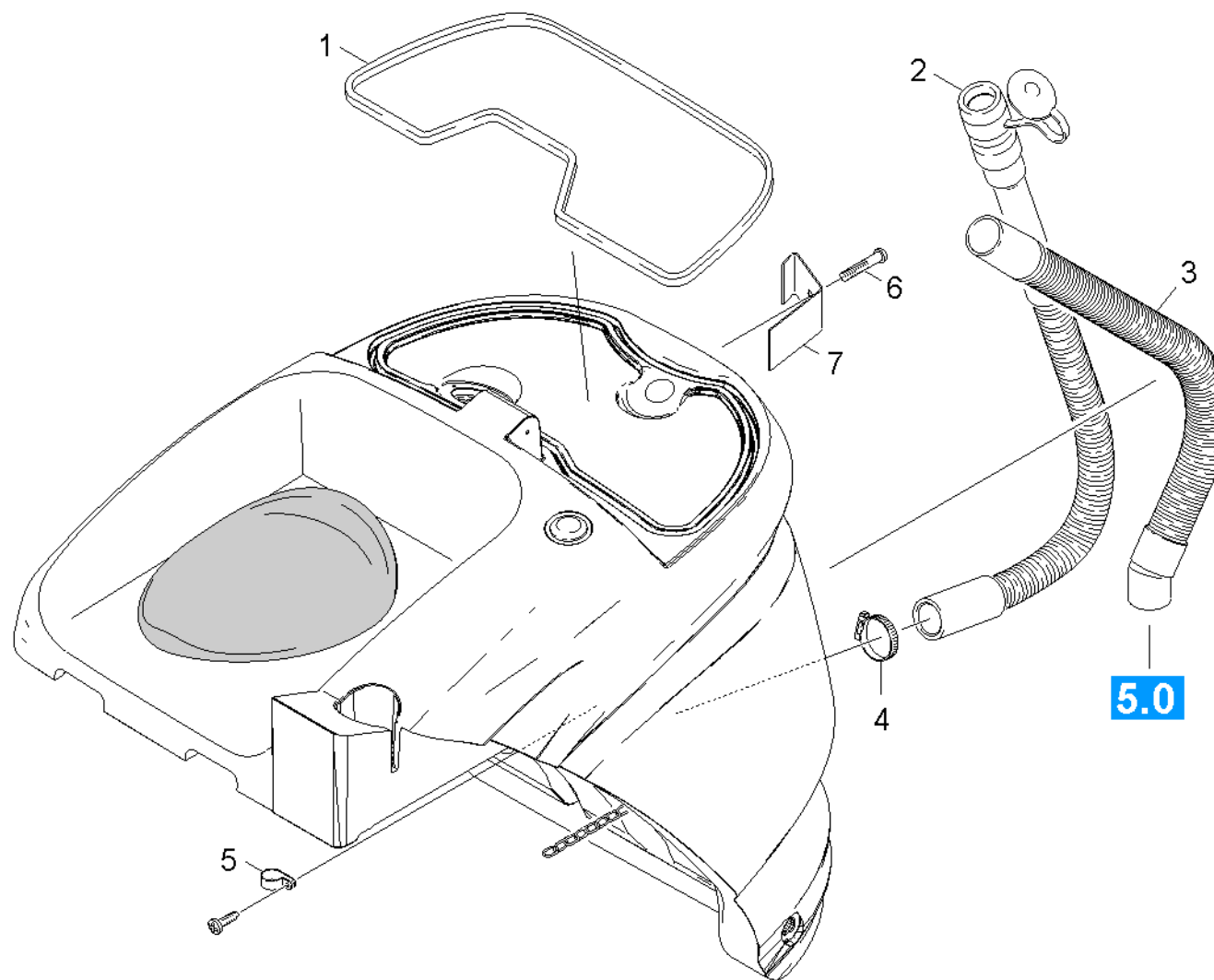


## 22 Suction hose

Overview technical documents/Professional/Floor cleaner/Ride-on/BD 75/140 R Eco Bp Pack \*EU (1.246-221.0)/Spare parts list BR-BD 75/90-140/20 Waste water tank/22 Suction hose



## 22 Suction hose

Overview technical documents/Professional/Floor cleaner/Ride-on/BD 75/140 R Eco Bp Pack \*EU (1.246-221.0)/Spare parts list BR-BD 75/90-140/20 Waste water tank/22 Suction hose

Rez.daļas/nodil.pakļ.daļas	Poz.	Materiāla Nr.	Nosaukums	Daudzums	Pārdoš. vienība	no sēr. Nr..	līdz sēr. Nr.
X-X	1	6.366-043.0	Profila plomba	1.000	M	0000000000	0000000000
X-X	2	6.390-829.0	No. šļūtene DN38 BIG TRIKE, BR-BD 700	1.000	ST	0000000000	0000000000
X-X	2	6.390-674.0	Aizplūdes šļūtene DN38 BIG TRIKE	1.000	ST	0000000000	0000000000
X-X	3	6.391-698.0	Sūkšanas šļūtene DN 38	1.000	ST	0000000000	0000000000
	4	6.388-713.0	hose clip	4.000	ST	0000000000	0000000000
	5	6.641-460.0	Cable clamp	1.000	ST	0000000000	0000000000
X	6	7.303-107.0	Skrūve 5x16 -10.9-P2R (K-In6Rd)	1.000	ST	0000000000	0000000000
	7	5.044-569.0	Holder drain hose	1.000	ST	0000000000	0000000000