

Spare parts list

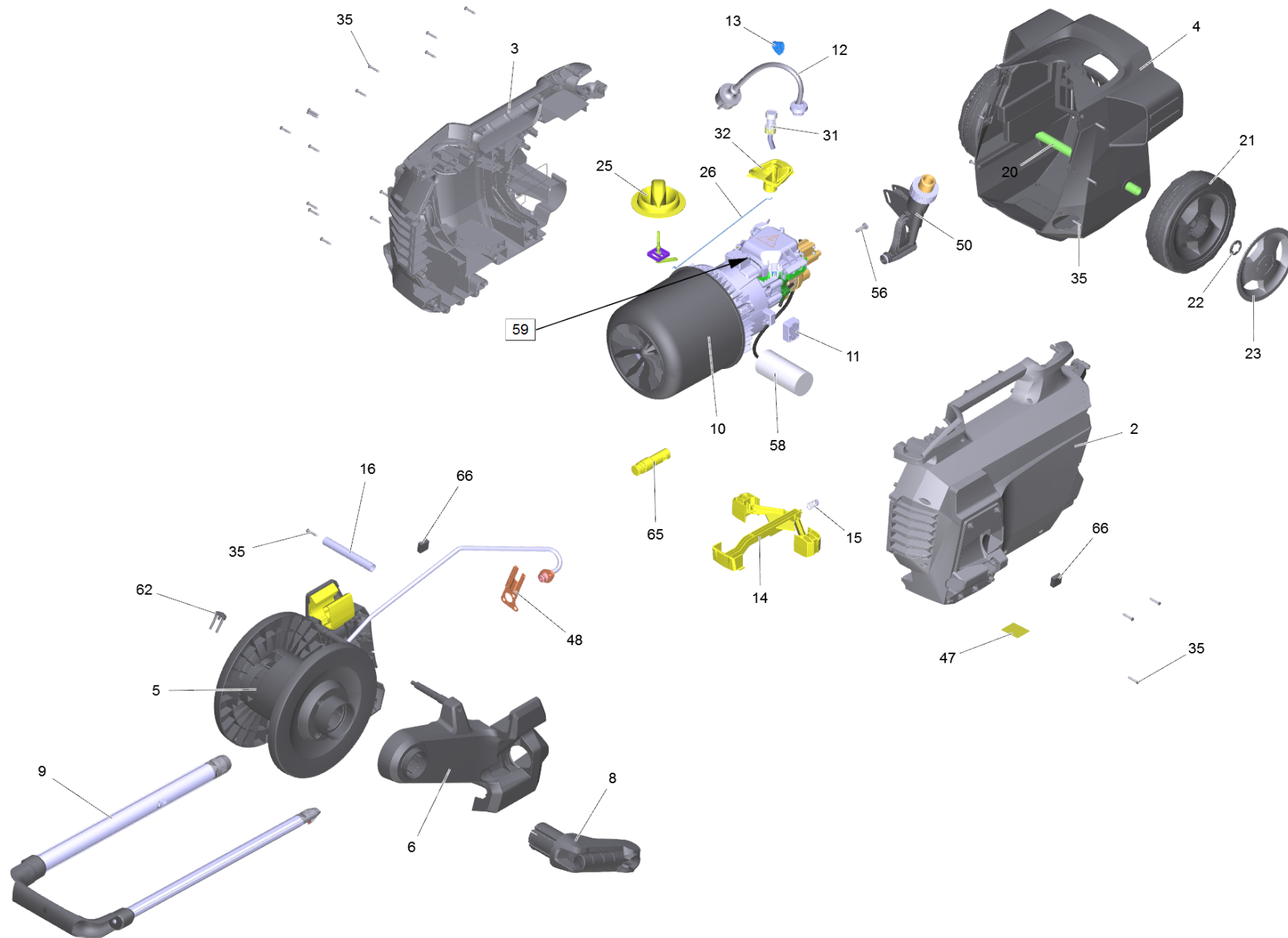
(1.520-932.0) HD 5/15 CX Plus *EU

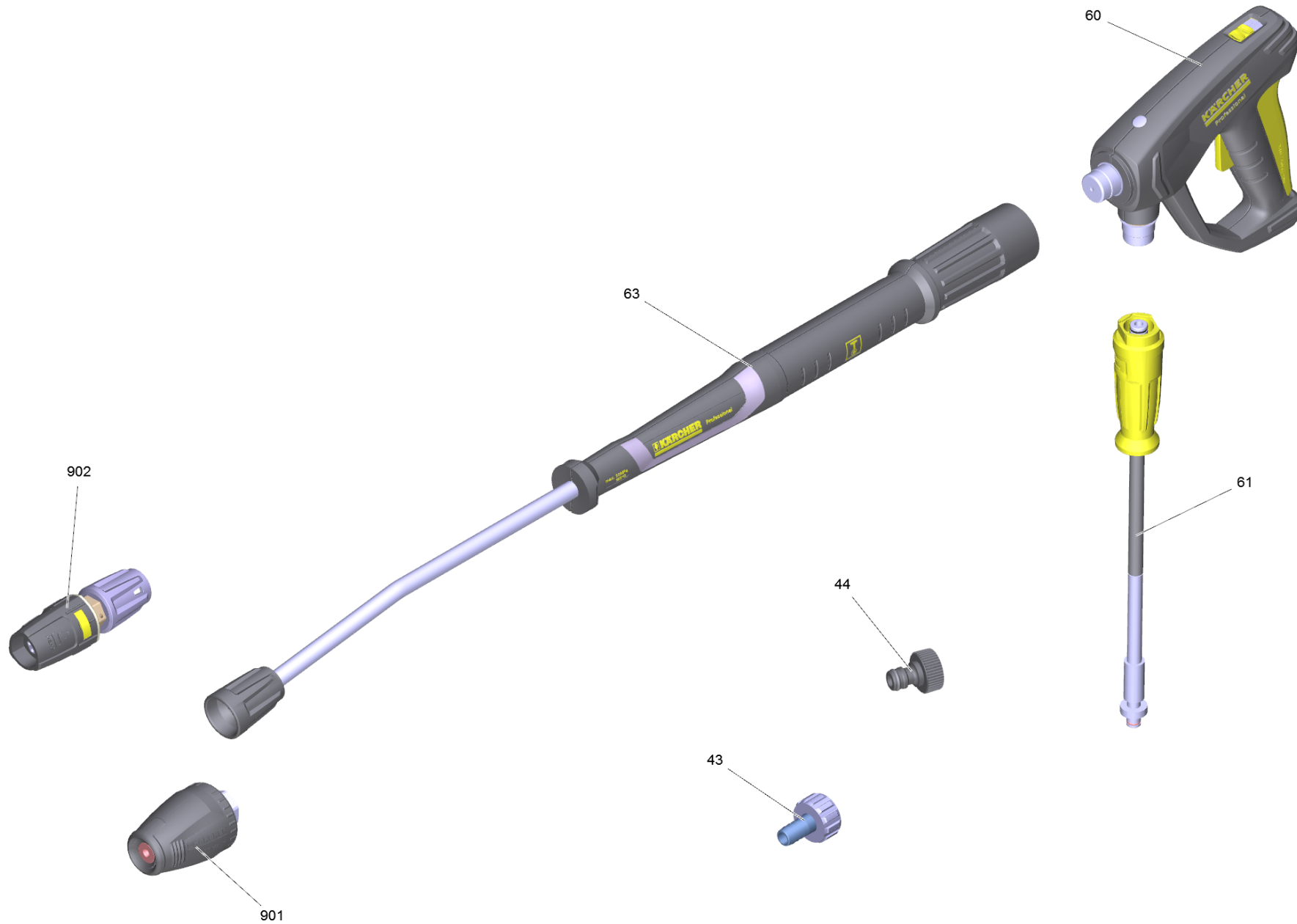
Table of contents

HD 5/15 CX Plus *EU (1.520-932.0)	3
Spare parts list high-pressure 5/15 CX P (5.974-223.0)	4
5 Hose reel complete	8
23 Set (4.515-104.0)	10
9 Handhold complete	12
10 Pump set HD 5/15	14
50 Transmission HD 5/15	16
999 Motor for replacement HD 5/17 (4.624-227.0)	18
51 Pump head complete HD 5/12	20
101 Piston guidance kpl.	22
115 Piston guidance for replacement (2.060-000.0)	24
102 Cylinder head complete brass (4.550-942.0)	26
103 Control piston complete replacement (2.885-408.0)	28
104 Valve pin complete (4.584-022.0)	30
105 Plug complete (4.580-702.0)	32
114 Nozzle insert (4.769-035.0)	34
901 Piston guidance for replacement (2.060-000.0)	36
902 Pump set HDC (2.885-377.0)	38
11 Valve pin complete (4.584-022.0)	40
53 Spare parts set electric box complete HD (2.885-375.0)	42
999 Tool (2.901-048.0)	44
12 Cable with plug *EU (6.650-201.0)	46
31 Filter with hose RM 1,05	48
43 Screw connector part (4.401-056.0)	50
50 Water intake complete	52
60 EASY!Force Advanced (4.118-005.0)	54
9000 Spare part set lever (2.885-483.0)	56
61 Hose assembly TR DN6 25MPa 15m (6.110-036.0)	58
63 Jet pipe TR 840 mm (4.112-006.0)	60
1 Jet pipe TR 840 mm	61
902 Triple jet nozzle TR 032 (4.117-027.0)	63
1 Triple jet nozzle TR 032	64

HD 5/15 CX Plus *EU (1.520-932.0)

POS	Article no.	Description	Quantity	Unit
0	5.974-223.0	Spare parts list high-pressure 5/15 CX P	1.000	ST



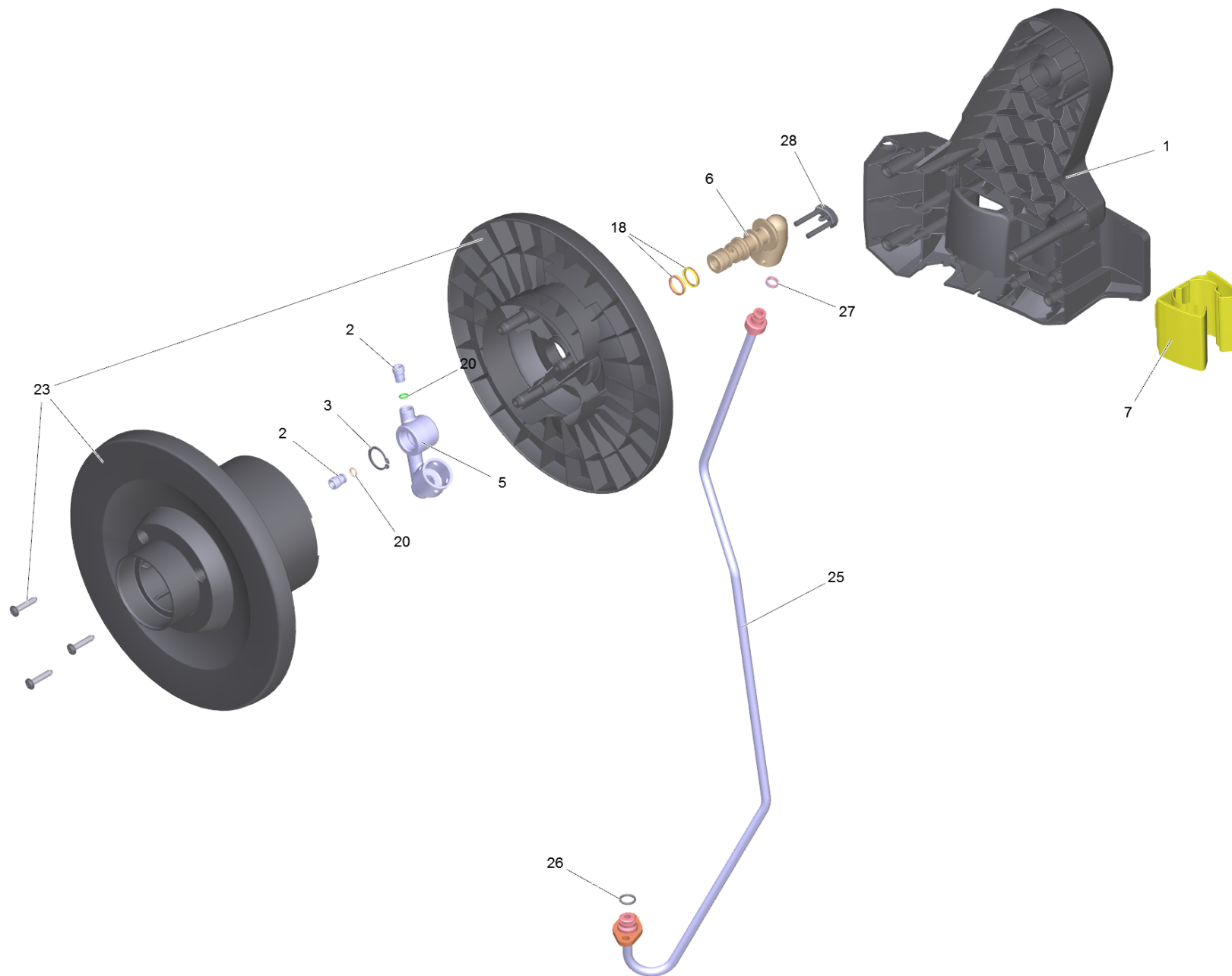


Spare parts list high-pressure 5/15 CX P (5.974-223.0)

POS	Article no.	Description	Quantity	Unit
2	5.646-048.3	Housing left for replacement	1.000	ST
3	5.646-049.3	Housing right for replacement	1.000	ST
4	5.645-653.0	Housing bottom X	1.000	ST
5		Hose reel complete	1.000	ST
6	5.646-029.0	Holder hose reel links	1.000	ST
8	4.481-302.0	Crank complete	1.000	ST
9		Handhold complete	1.000	ST
10		Pump set HD 5/15	1.000	ST
11	5.767-029.0	Rubber buffer	4.000	ST
12	6.650-201.0	Cable with plug *EU	1.000	ST
13	6.647-681.0	Cable clip	1.000	ST
14	5.645-675.0	Locking part	1.000	ST
15	5.332-001.0	Helical spring	1.000	ST
16	5.036-724.0	Sleeve	1.000	ST
20	5.105-399.0	Axle	1.000	ST
21	5.515-395.0	Wheel D180	2.000	ST
22	6.343-168.0	Lock washer	2.000	ST
23	5.515-386.0	Wheel cap large RAL 7012	2.000	ST
25	4.324-057.0	Handle complete	1.000	ST
26	5.107-313.0	Switch rod	1.000	ST
31		Filter with hose RM 1,05	1.000	ST
32	5.645-841.0	Cover cleaning agents	1.000	ST
35	6.303-566.0	Screw 4,2x22 R2R	27.000	ST
43	4.401-056.0	Screw connector part	1.000	ST
44	6.465-031.0	Connection 3/4	1.000	ST
47	5.387-620.0	Warning sticker-Prevent from freezing	1.000	ST
48	5.095-519.0	Positioning water intake	1.000	ST
50		Water intake complete	1.000	ST
56	7.306-092.0	Screw M6x20-ST- 8.8-R3R (IN6RD)	2.000	ST
58	6.650-109.0	Capacitor with cable 40 µF (Silikon)	1.000	ST
59	7.303-031.0	Screw M4x10 -St-P2R (In6Rd)	1.000	ST
60	4.118-005.0	EASY!Force Advanced	1.000	ST
61	6.110-036.0	Hose assembly TR DN6 25MPa 15m	1.000	ST

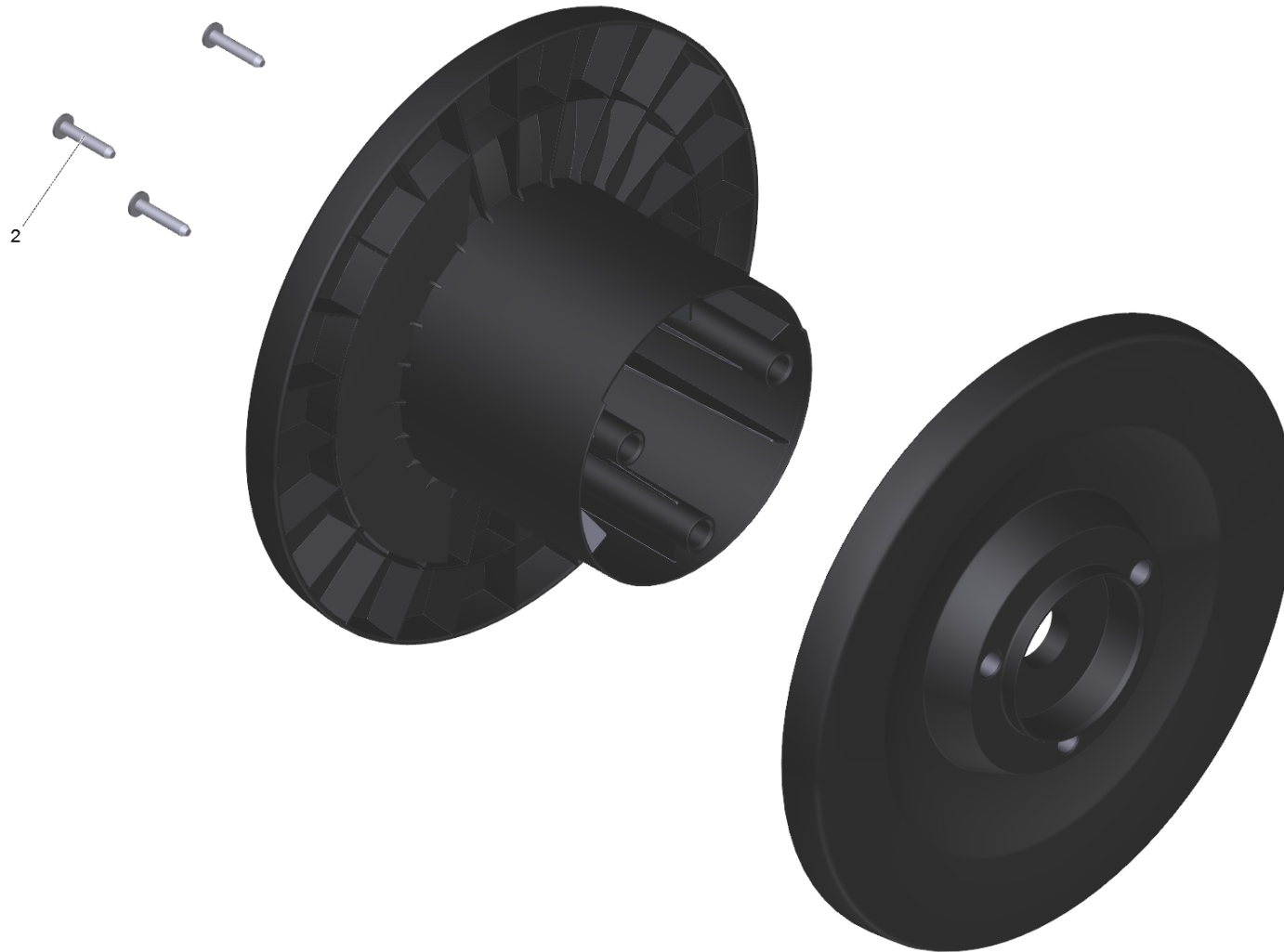
Spare parts list high-pressure 5/15 CX P (5.974-223.0)

POS	Article no.	Description	Quantity	Unit
62	4.037-013.0	Hook	1.000	ST
63	4.112-006.0	Jet pipe TR 840 mm	1.000	ST
65	5.646-026.0	Retainer accessories	1.000	ST
66	6.273-135.0	Sealing strip	2.000	ST
901	4.114-019.0	Dirt blaster TR 035 LowEnd	1.000	ST
902	4.117-027.0	Triple jet nozzle TR 032	1.000	ST



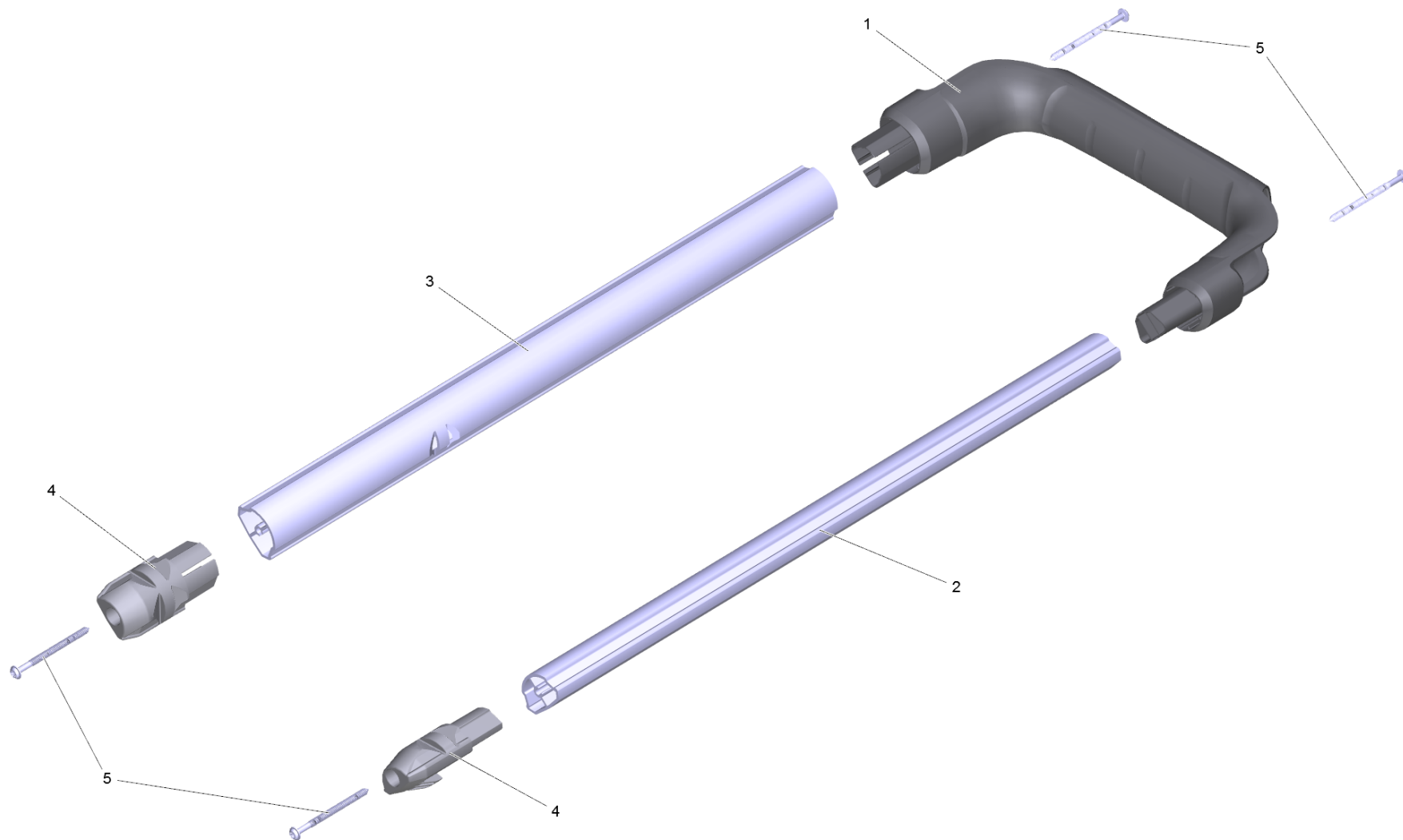
5 Hose reel complete

POS	Article no.	Description	Quantity	Unit
1	5.646-030.0	Holder hose reel rechts	1.000	ST
2	5.411-161.0	CLOSING SCREW M10X1	2.000	ST
3	7.343-018.0	Locking ring 18x1,2-Rf-St DIN 471	1.000	ST
5	5.427-326.0	Manifold	1.000	ST
6	5.427-467.0	Manifold	1.000	ST
7	5.645-938.0	Holder jet pipe	1.000	ST
18	4.363-693.0	O-Ring seal kpl. -nur fuer Ersatz-	2.000	ST
20	6.362-703.0	O-Ring seal 6,0x1,5-NBR 70	2.000	ST
23	4.515-104.0	Set	3.000	ST
25	4.423-016.0	Pipelines complete	1.000	ST
26	6.362-151.0	O-Ring d. 10 x 2 NBR 70	1.000	ST
27	4.363-691.0	O-Ring seal kpl. -nur fuer Ersatz-	1.000	ST
28	4.037-013.0	Hook	1.000	ST



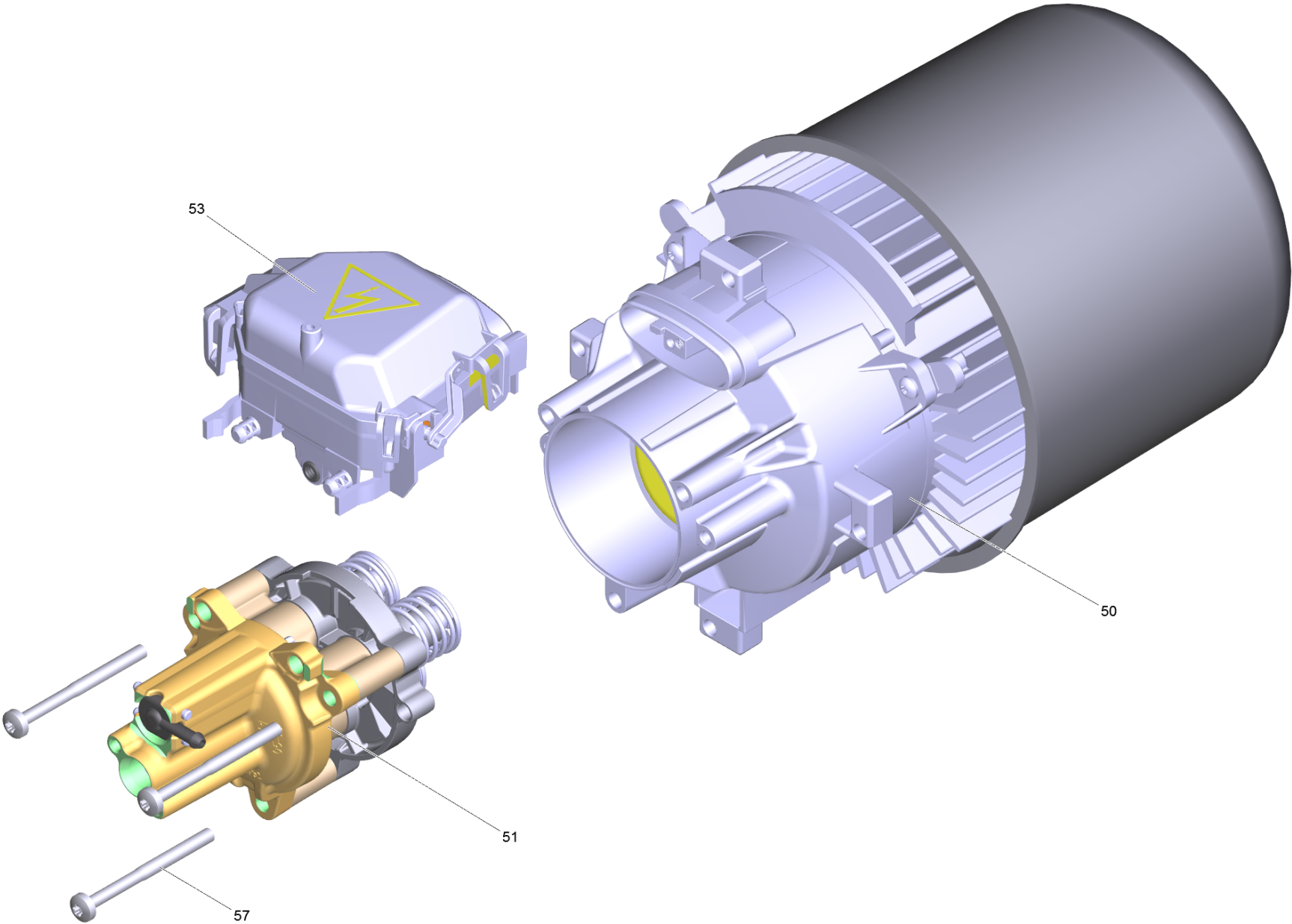
23 Set (4.515-104.0)

POS	Article no.	Description	Quantity	Unit
2	7.303-109.0	Screw 5x25 -10.9-R2R (In6Rd)	3.000	ST



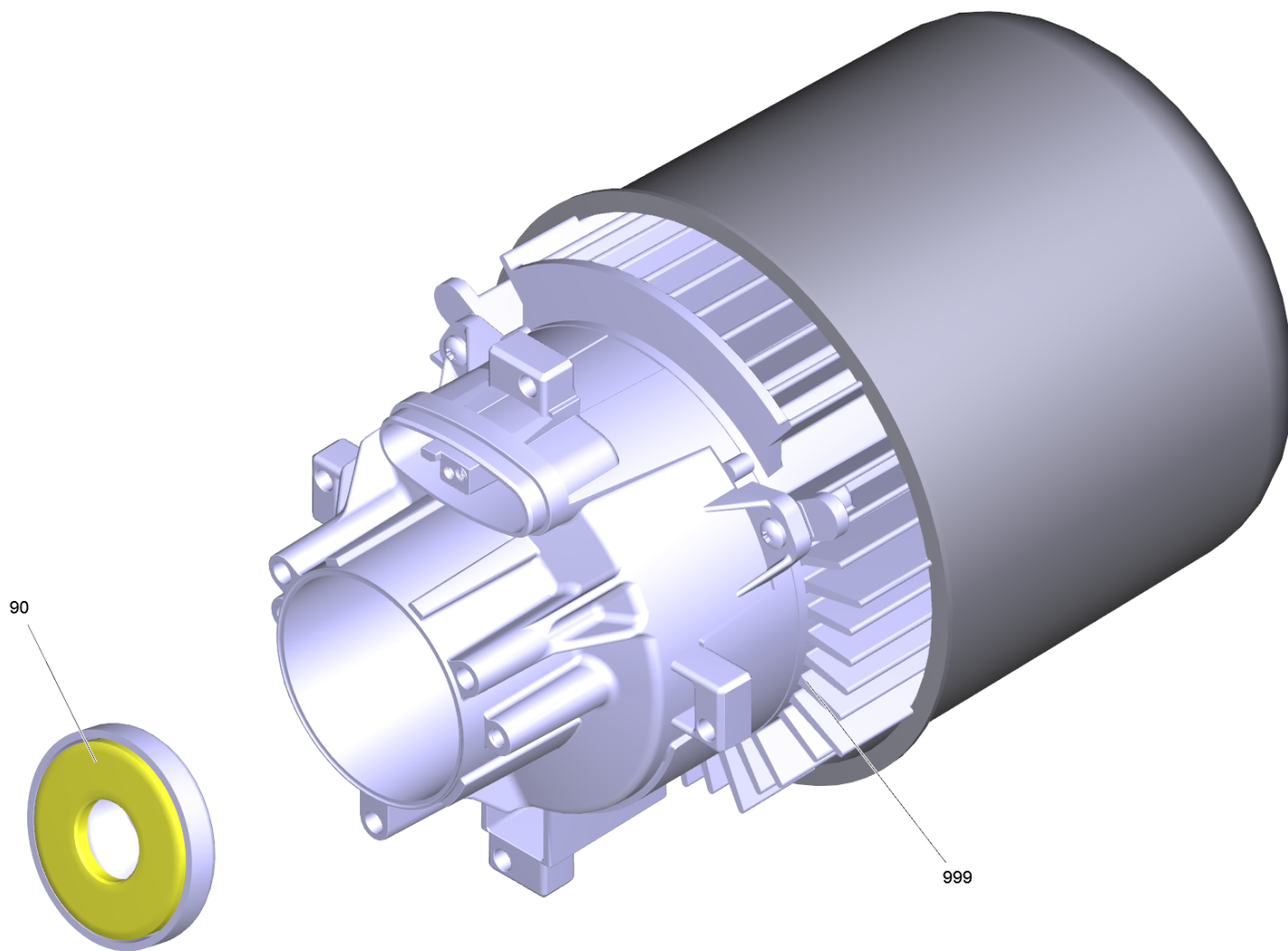
9 Handhold complete

POS	Article no.	Description	Quantity	Unit
1	5.324-161.0	Hand grip	1.000	ST
2	5.645-674.0	Tube left Trolley	1.000	ST
3	5.645-853.0	Tube right Trolley	1.000	ST
4	5.645-676.0	End piece locking part	2.000	ST
5	6.303-562.0	Saucer-head screw D4x55	4.000	ST



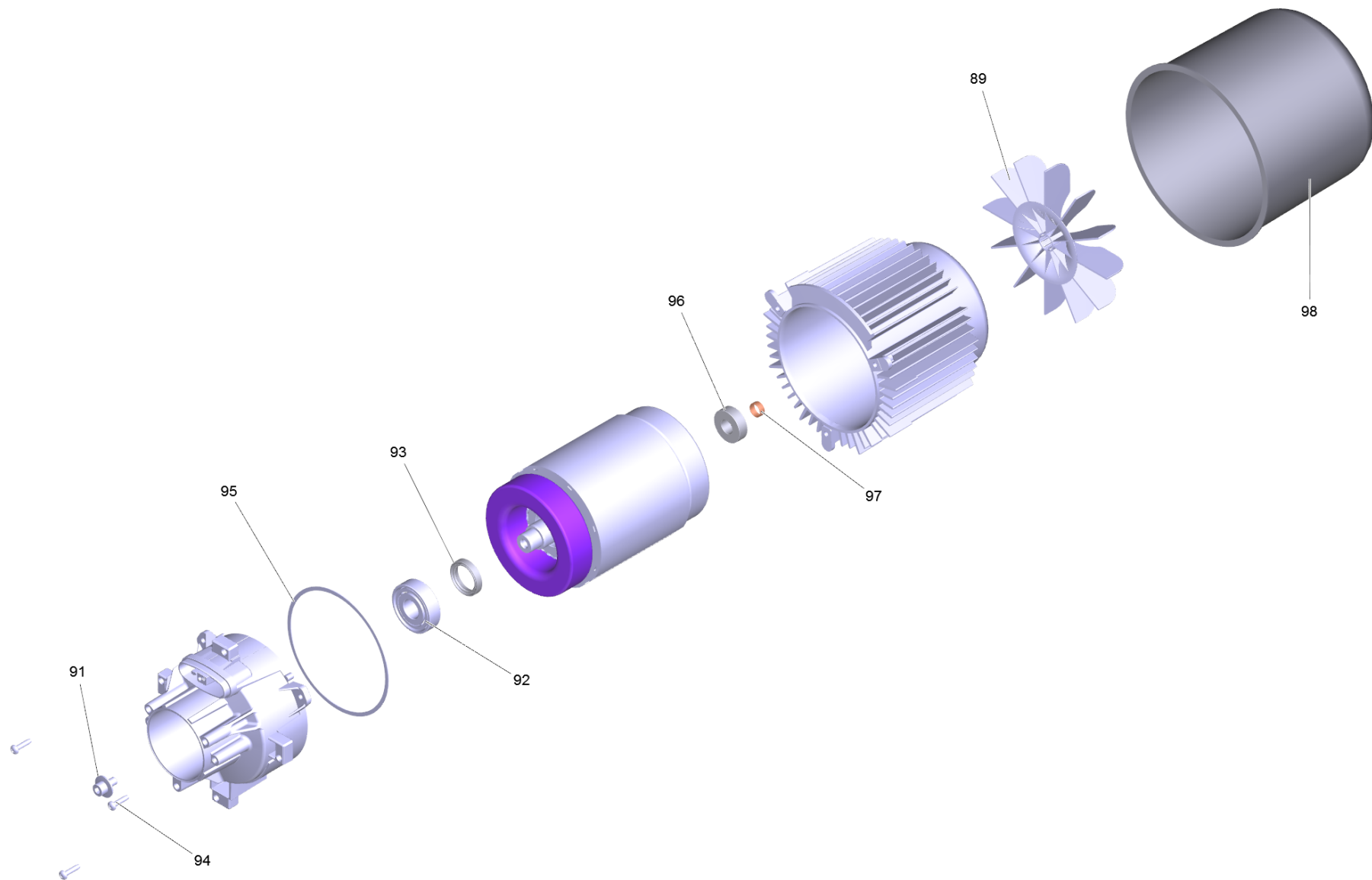
10 Pump set HD 5/15

POS	Article no.	Description	Quantity	Unit
50		Transmission HD 5/15	1.000	ST
51		Pump head complete HD 5/12	1.000	ST
53	2.885-375.0	Spare parts set electric box complete HD	1.000	ST
57	7.306-268.0	Screw M6x70 -8.8-R3R (In6Rd)	3.000	ST
125	6.288-050.0	Engine oil 1L	1.000	ST
999	2.901-048.0	Tool	1.000	ST



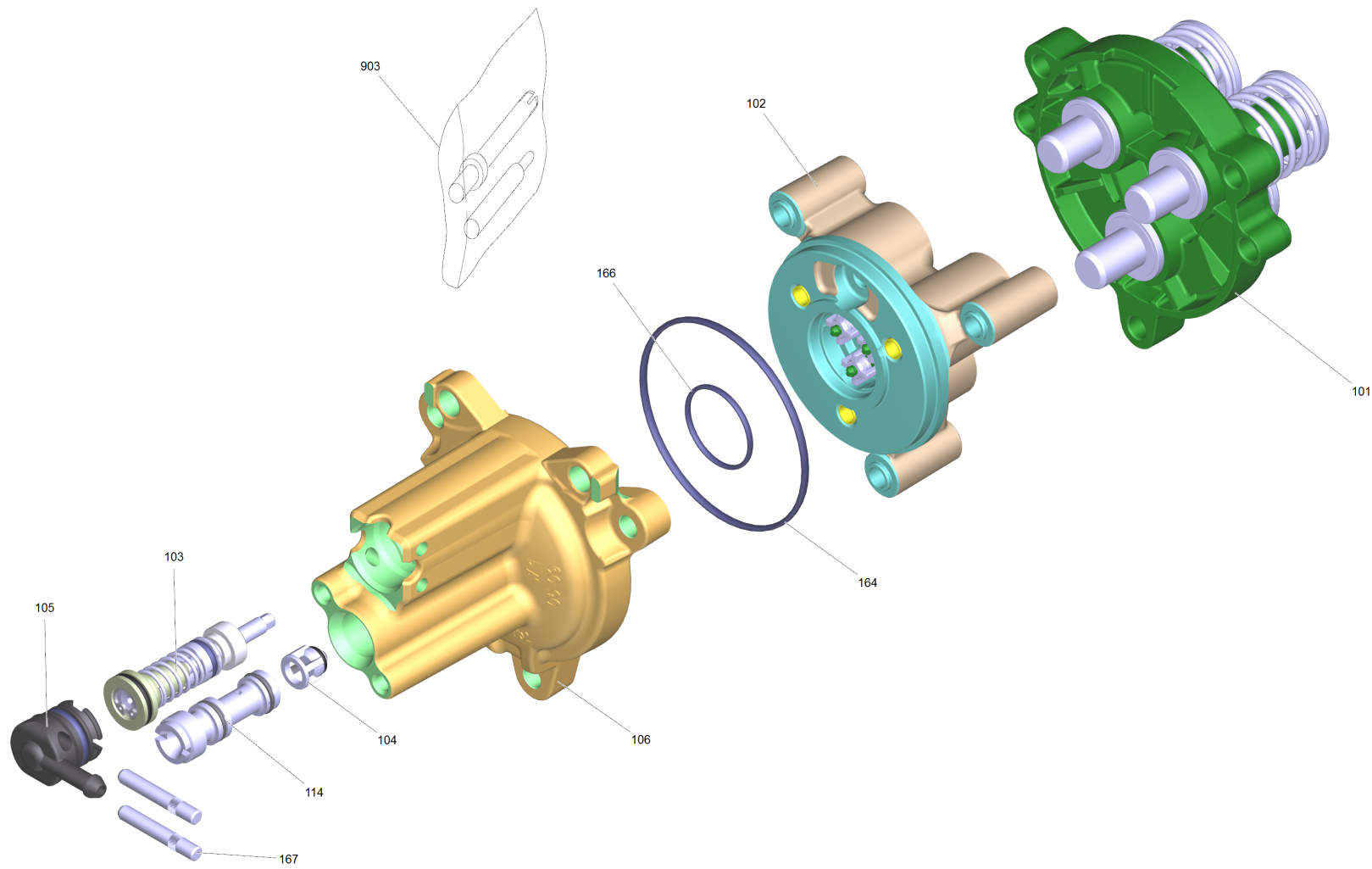
50 Transmission HD 5/15

POS	Article no.	Description	Quantity	Unit
90	4.120-256.0	Wobble plate 12°45' (D67)	1.000	ST
999	4.624-227.0	Motor for replacement HD 5/17	1.000	ST



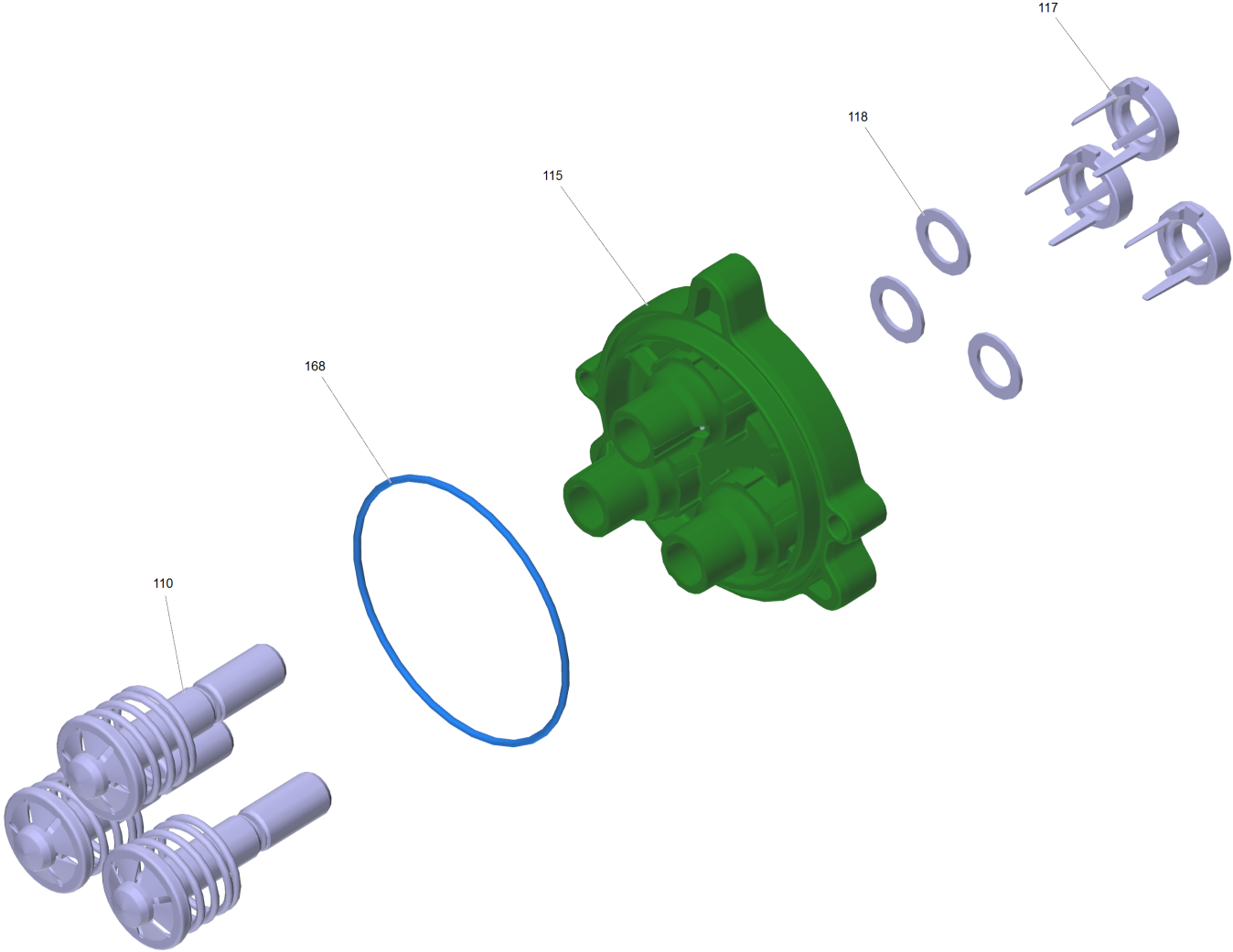
999 Motor for replacement HD 5/17 (4.624-227.0)

POS	Article no.	Description	Quantity	Unit
89	5.600-105.0	Blower wheel	1.000	ST
91	9.086-169.0	Wobble plate screw M8x16	1.000	ST
92	6.401-427.0	Angular contact ball bearing	1.000	ST
93	7.367-024.0	Radial shaft seal ring A26x37x7 -FKM DIN	1.000	ST
94	6.303-320.0	Screw M 5x 20-St-R2R	3.000	ST
95	5.363-743.0	Joint ring	1.000	ST
96	7.401-128.0	Ball bearing 6202-2RS -Wälzl.St DIN 625	1.000	ST
97	6.343-218.0	Tolerance ring 15x6	1.000	ST
98	5.692-102.0	Air circulation	1.000	ST



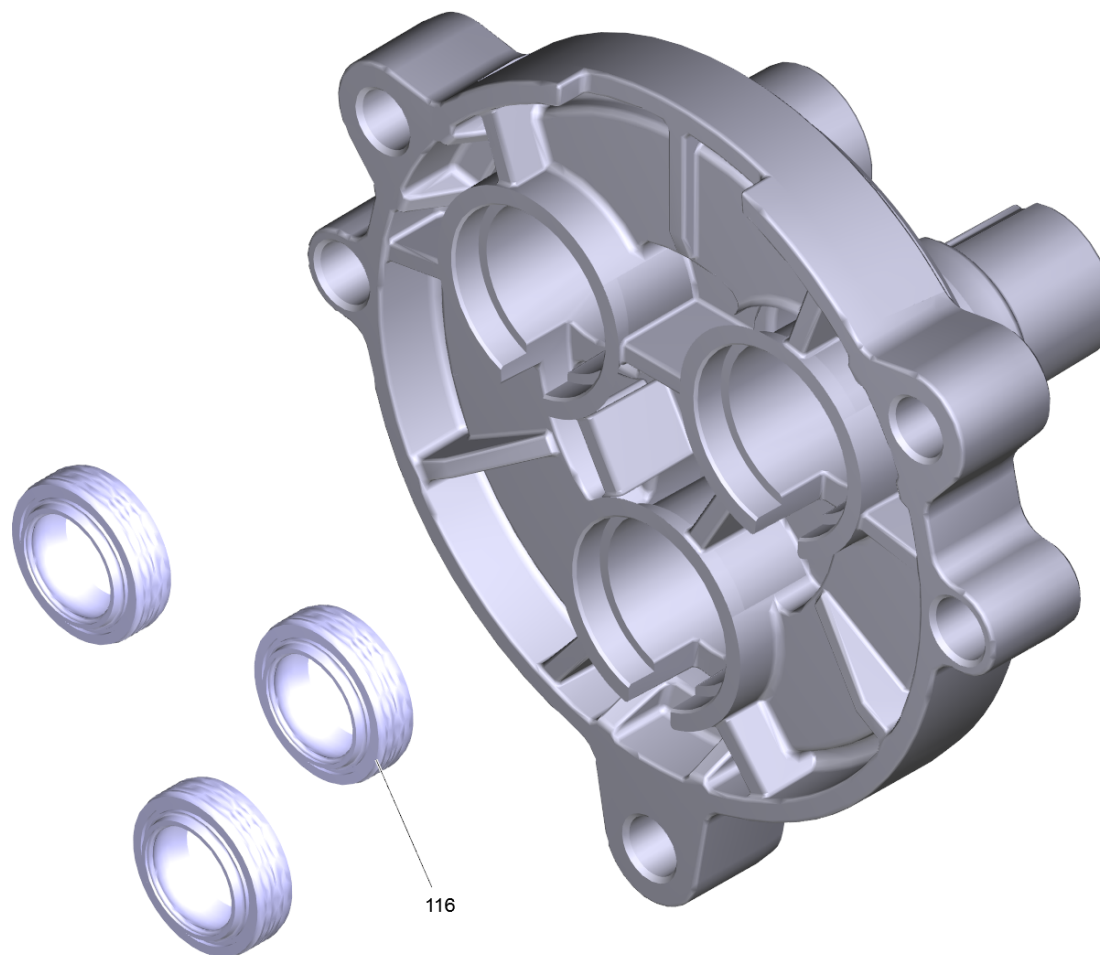
51 Pump head complete HD 5/12

POS	Article no.	Description	Quantity	Unit
101		Piston guidance kpl.	1.000	ST
102	4.550-942.0	Cylinder head complete brass	1.000	ST
103	2.885-408.0	Control piston complete replacement	1.000	ST
104	4.584-022.0	Valve pin complete	1.000	ST
105	4.580-702.0	Plug complete	1.000	ST
106	5.062-390.0	Housing HD-C	1.000	ST
114	4.769-035.0	Nozzle insert	1.000	ST
164	6.363-616.0	O-Ring seal 60,0x2,0 -NBR70	1.000	ST
166	6.362-562.0	O-Ring seal 21,95X 1,78-NBR 90	1.000	ST
167	5.314-150.0	Pin	2.000	ST
901	2.060-000.0	Piston guidance for replacement	1.000	ST
902	2.885-377.0	Pump set HDC	1.000	ST
903	2.901-049.0	Set from valve retainer and drive-in man	1.000	ST



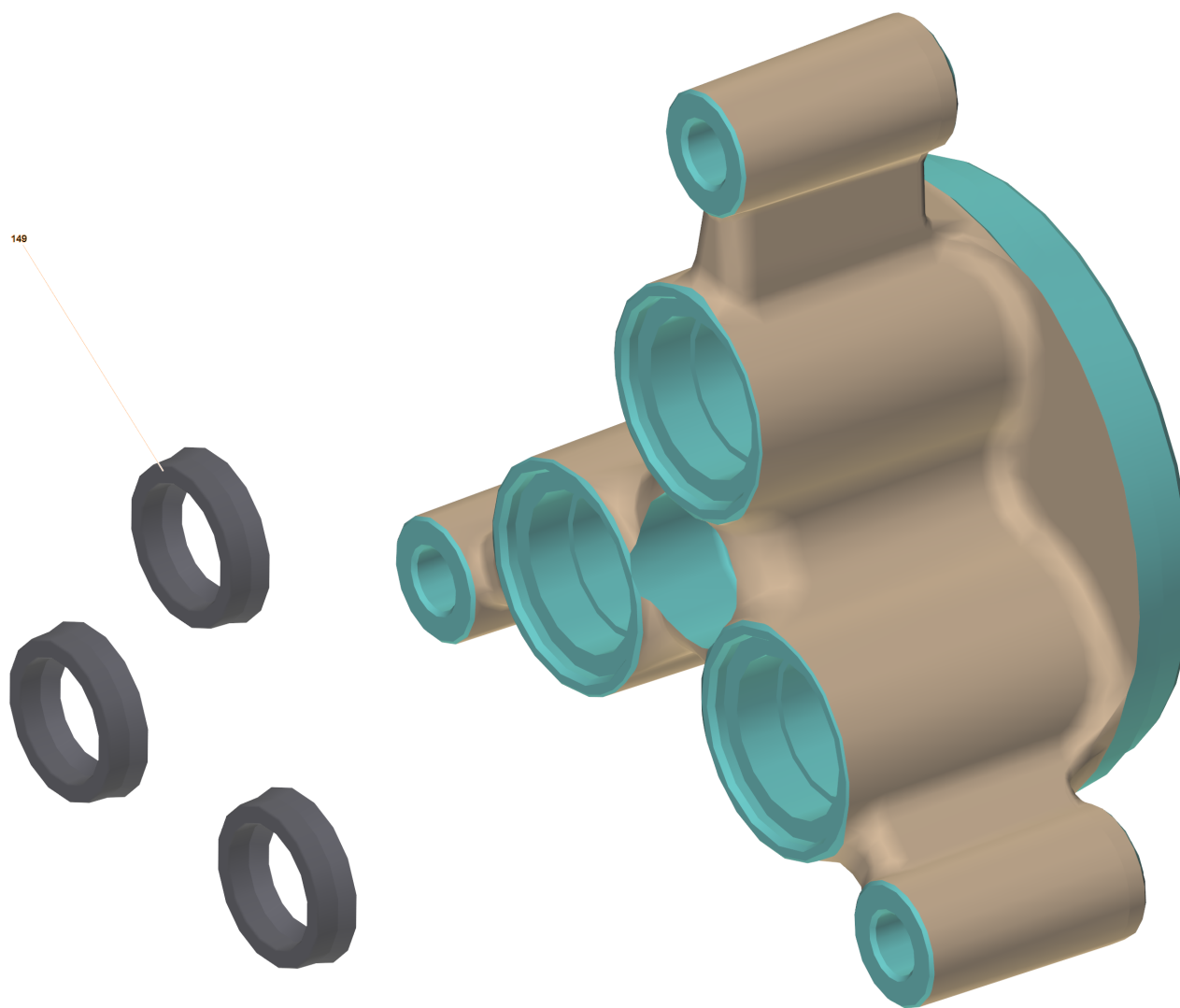
101 Piston guidance kpl.

POS	Article no.	Description	Quantity	Unit
110	4.553-319.0	Piston complete	3.000	ST
115	2.060-000.0	Piston guidance for replacement	1.000	ST
117	5.116-381.0	Supporting disk	3.000	ST
118	5.116-380.0	Washer piston guidance	3.000	ST
168	6.363-449.0	O-Ring seal 72x2 -NBR70	1.000	ST



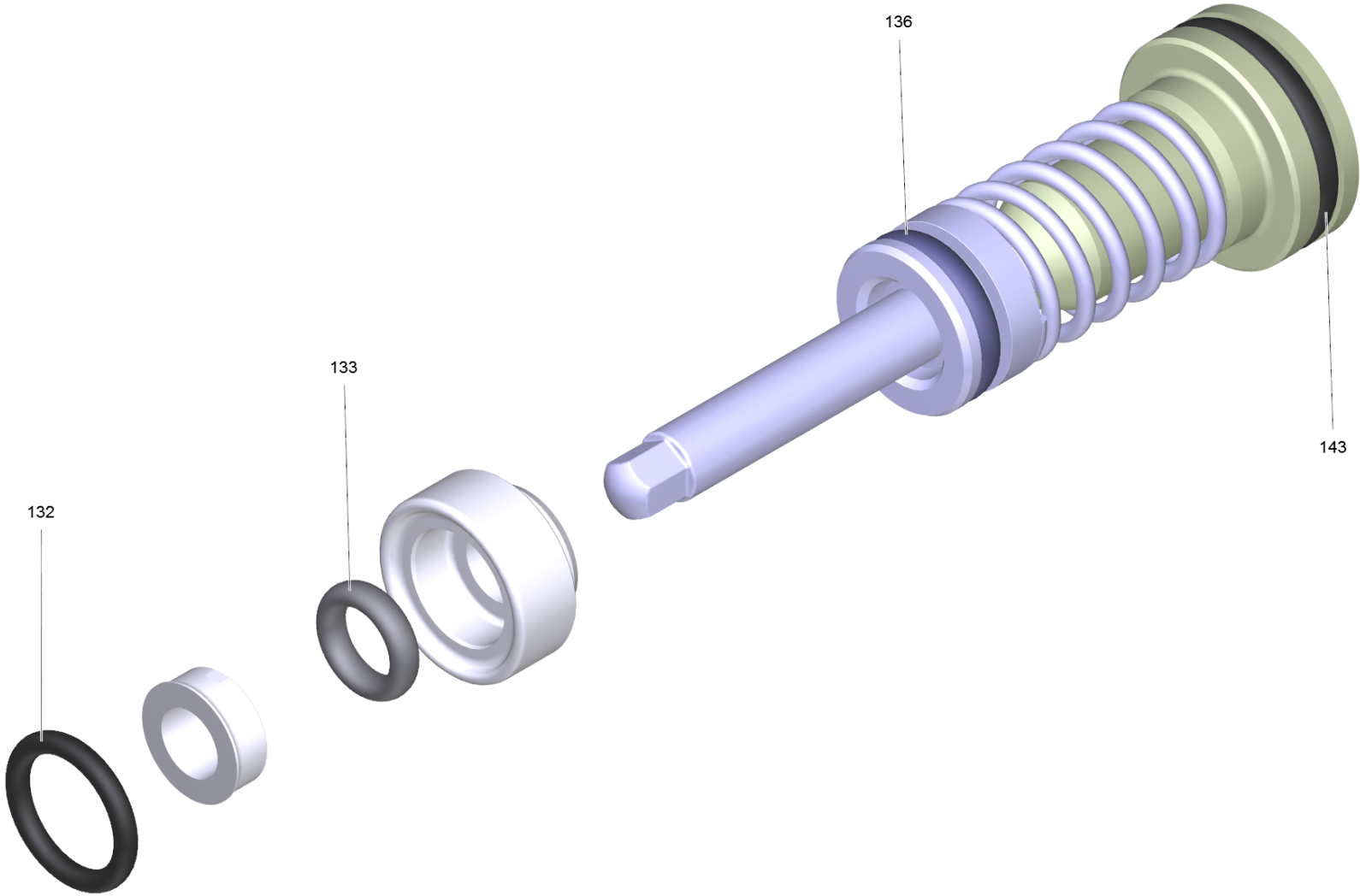
115 Piston guidance for replacement (2.060-000.0)

POS	Article no.	Description	Quantity	Unit
116	6.363-633.0	Grooved ring 12x18x6/5/1	3.000	ST



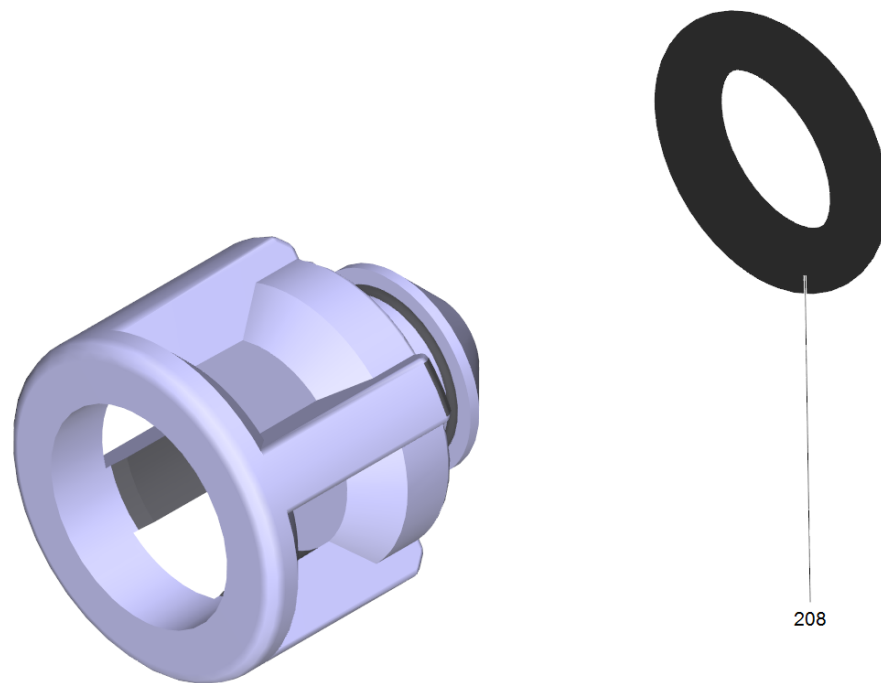
102 Cylinder head complete brass (4.550-942.0)

POS	Article no.	Description	Quantity	Unit
149	6.363-435.0	Grooved ring 12x17x4,25/2,5	3.000	ST



103 Control piston complete replacement (2.885-408.0)

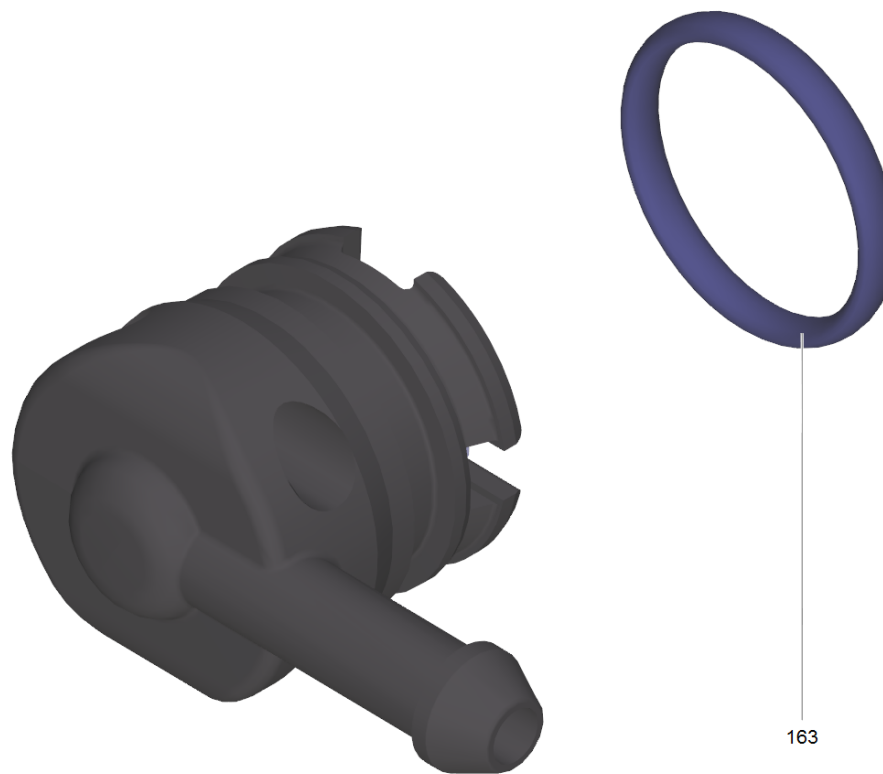
POS	Article no.	Description	Quantity	Unit
132	6.362-101.0	O-Ring seal 8 X 2	1.000	ST
133	6.363-606.0	O-Ring seal 4,7 x 1,9 -NBR70	1.000	ST
136	6.363-614.0	O-Ring seal 9 x 2 -NBR90	1.000	ST
143	6.362-381.0	O-Ring seal 13x2 - NBR 70	1.000	ST



208

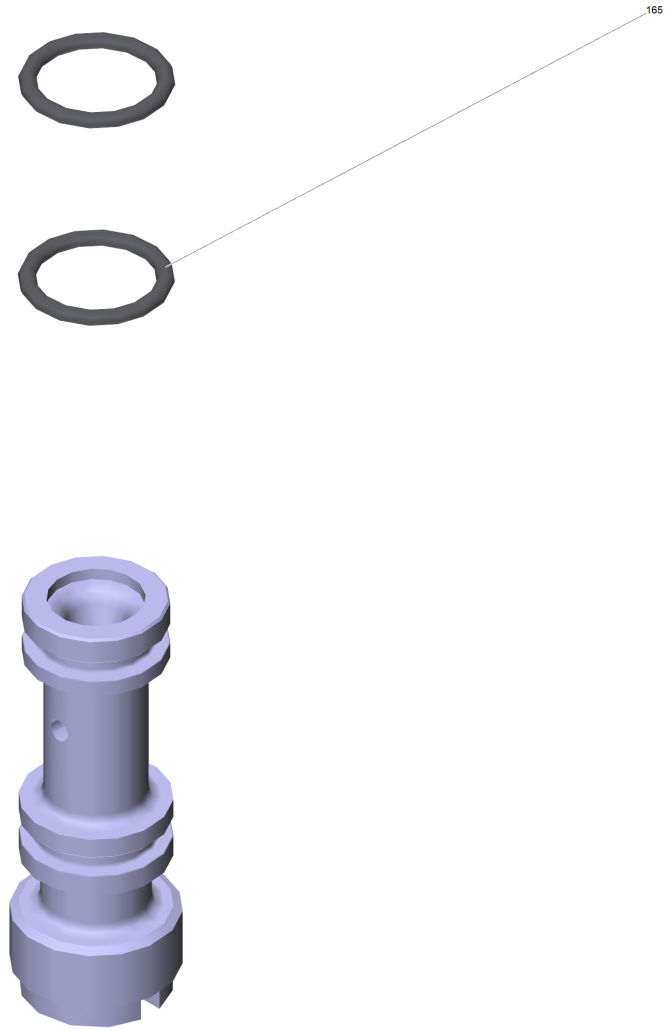
104 Valve pin complete (4.584-022.0)

POS	Article no.	Description	Quantity	Unit
208	6.363-613.0	O-Ring seal 4 x 2 -NBR90	1.000	ST



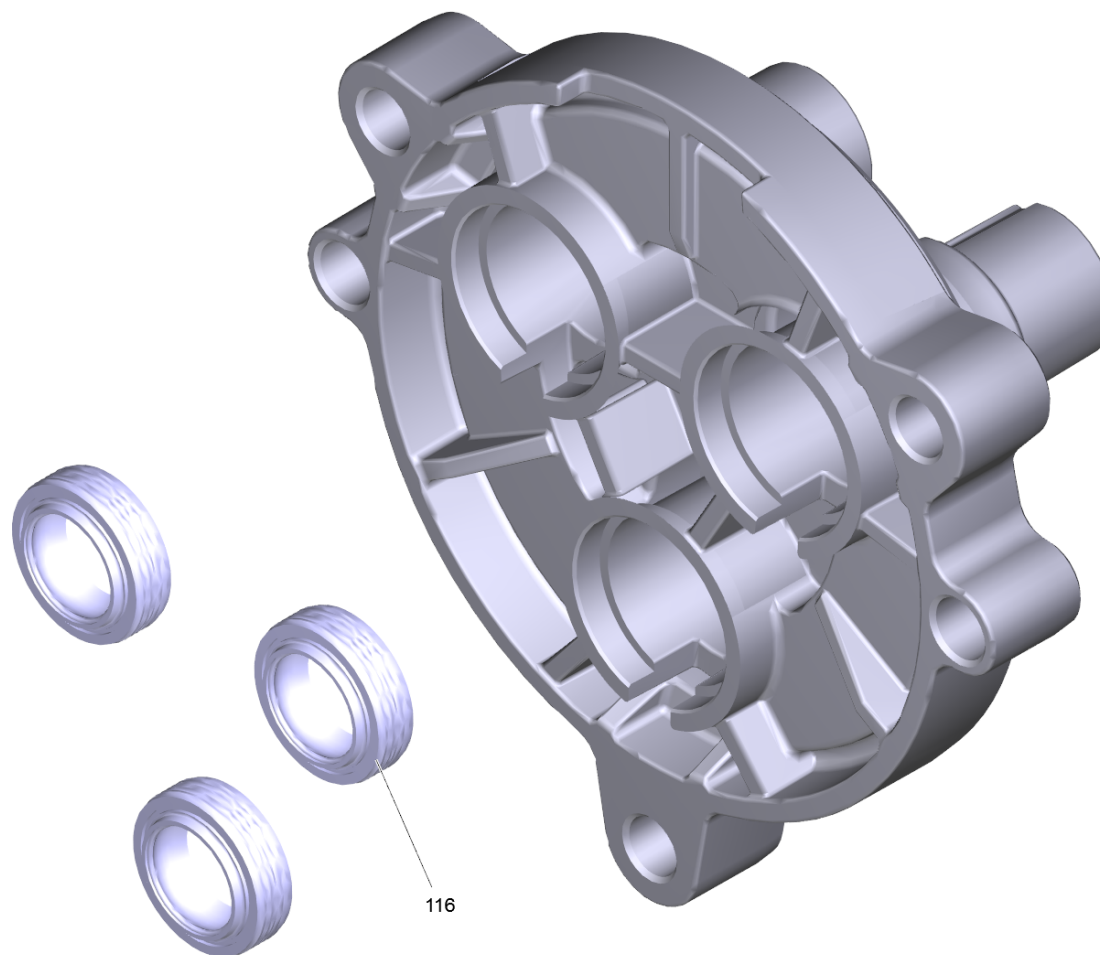
105 Plug complete (4.580-702.0)

POS	Article no.	Description	Quantity	Unit
163	6.362-030.0	O-Ring seal 15x2 90 Shore IRHD	1.000	ST



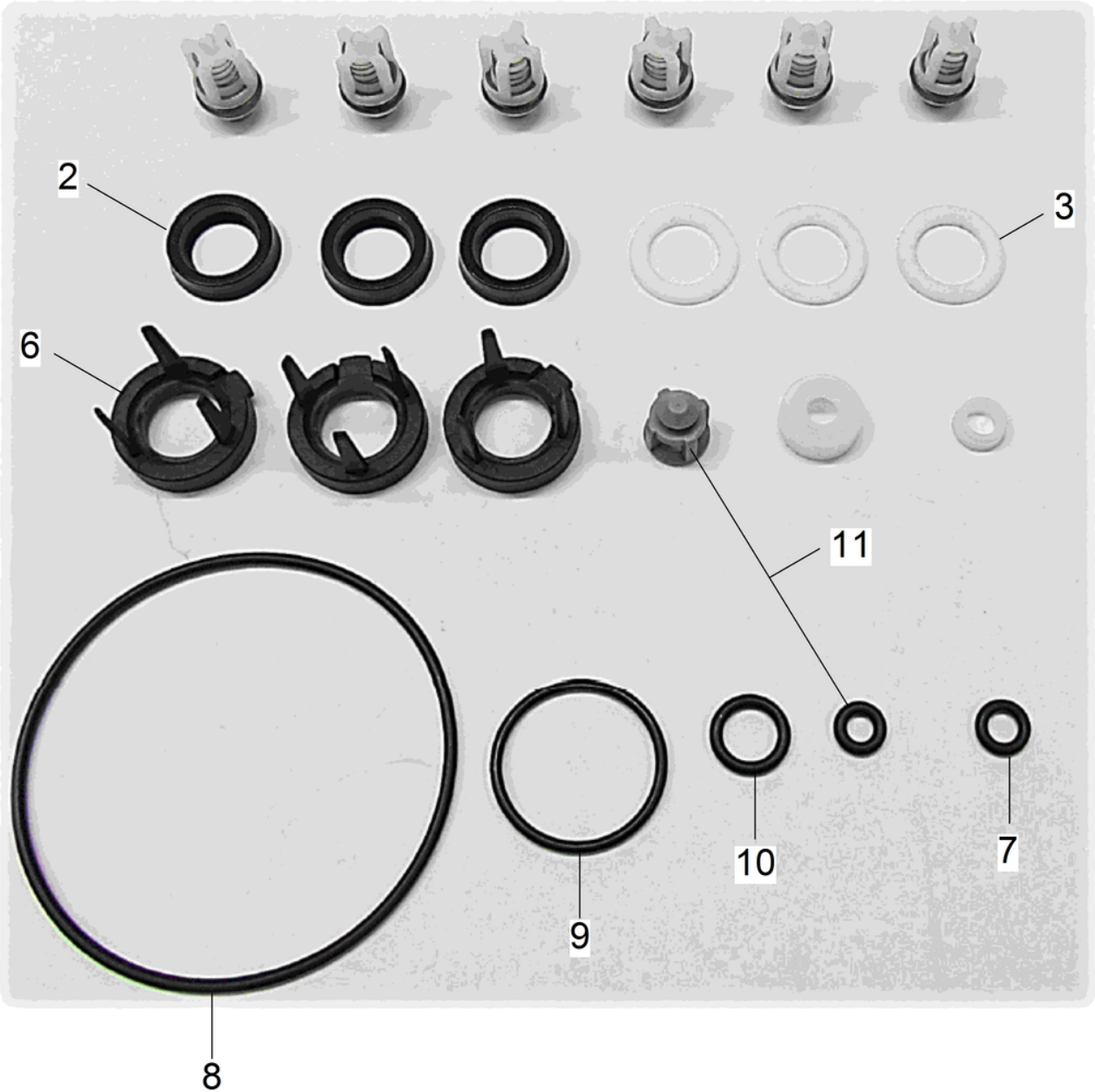
114 Nozzle insert (4.769-035.0)

POS	Article no.	Description	Quantity	Unit
165	6.362-384.0	O-Ring seal 9x1,5 - NBR 70	2.000	ST



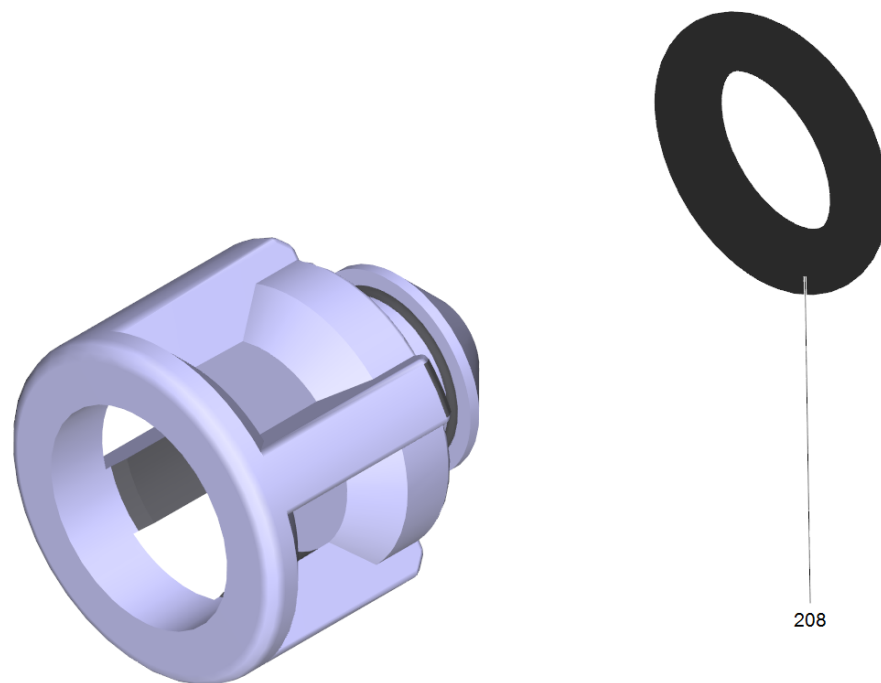
901 Piston guidance for replacement (2.060-000.0)

POS	Article no.	Description	Quantity	Unit
116	6.363-633.0	Grooved ring 12x18x6/5/1	3.000	ST



902 Pump set HDC (2.885-377.0)

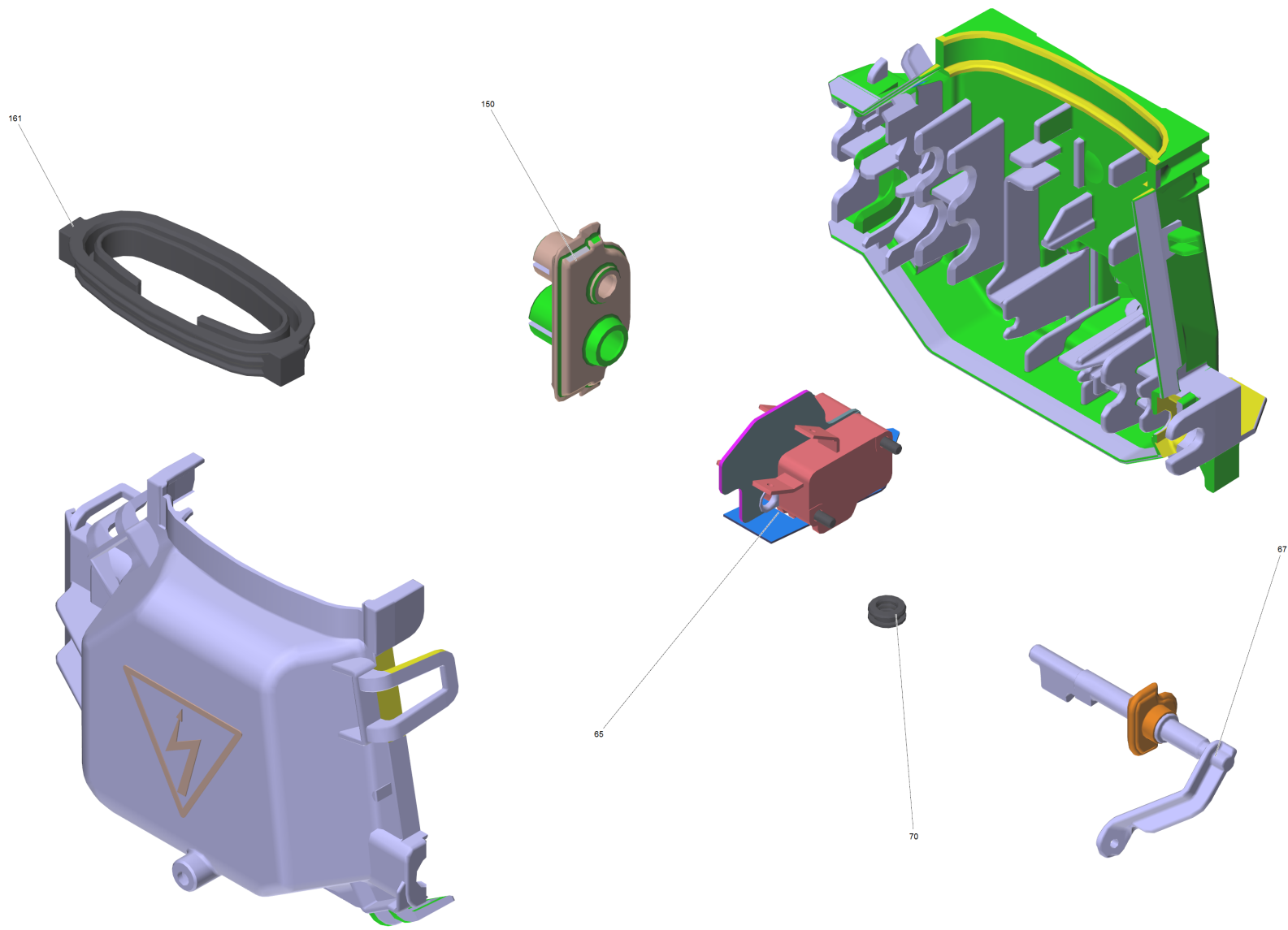
POS	Article no.	Description	Quantity	Unit
2	6.363-435.0	Grooved ring 12x17x4,25/2,5	3.000	ST
3	5.116-380.0	Washer piston guidance	3.000	ST
6	5.116-381.0	Supporting disk	3.000	ST
7	6.363-606.0	O-Ring seal 4,7 x 1,9 -NBR70	1.000	ST
8	6.363-616.0	O-Ring seal 60,0x2,0 -NBR70	1.000	ST
9	6.362-562.0	O-Ring seal 21,95X 1,78-NBR 90	1.000	ST
10	6.362-101.0	O-Ring seal 8 X 2	1.000	ST
11	4.584-022.0	Valve pin complete	1.000	ST



208

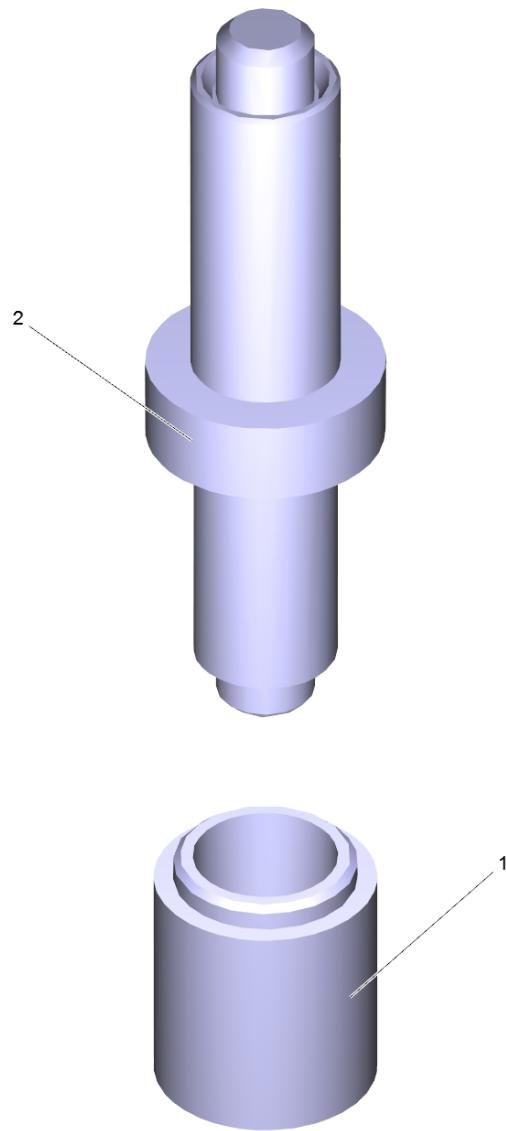
11 Valve pin complete (4.584-022.0)

POS	Article no.	Description	Quantity	Unit
208	6.363-613.0	O-Ring seal 4 x 2 -NBR90	1.000	ST



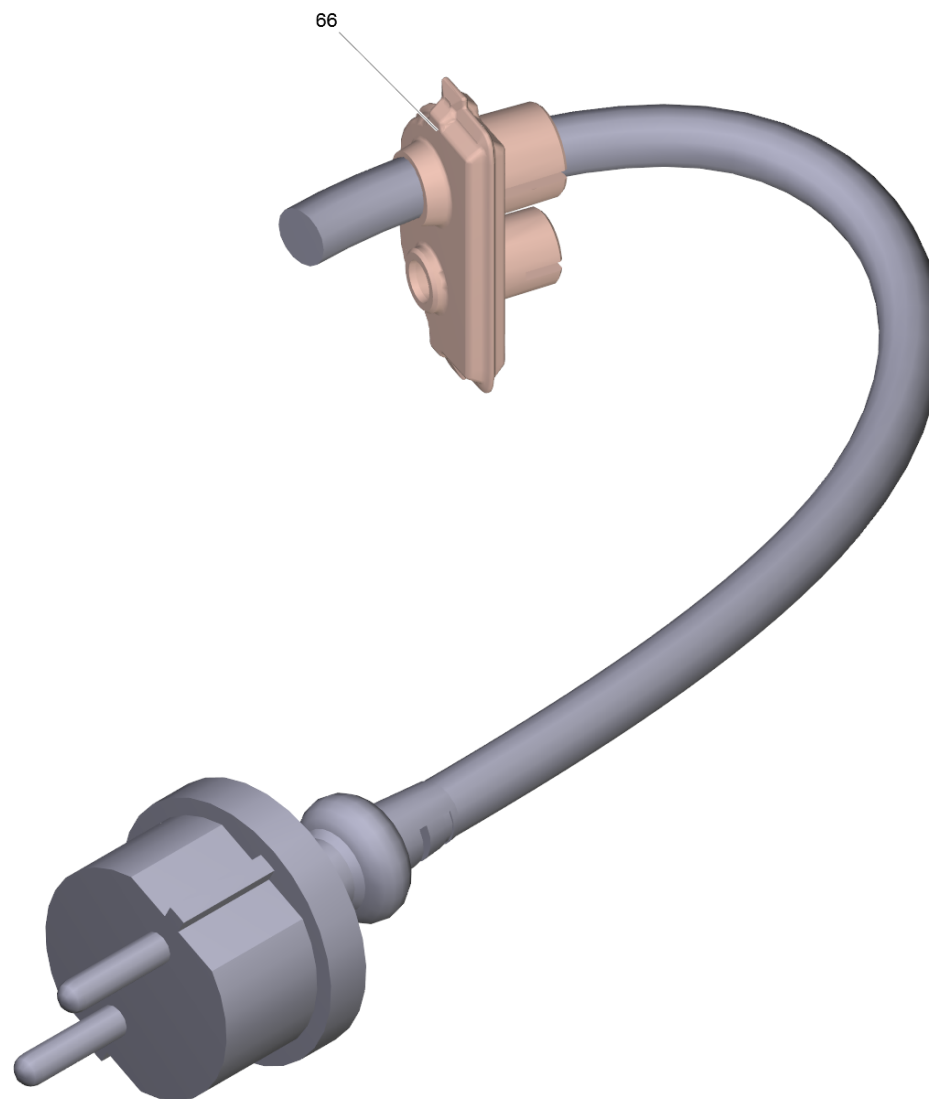
53 Spare parts set electric box complete HD (2.885-375.0)

POS	Article no.	Description	Quantity	Unit
65	6.961-000.0	Micro switch	1.000	ST
67	2.885-376.0	Selector shaft spare parts set HDC	1.000	ST
70	5.363-749.0	Seal control piston	1.000	ST
150	5.363-807.0	Seal cable HDC	1.000	ST
161	5.363-761.0	Seal label	1.000	ST



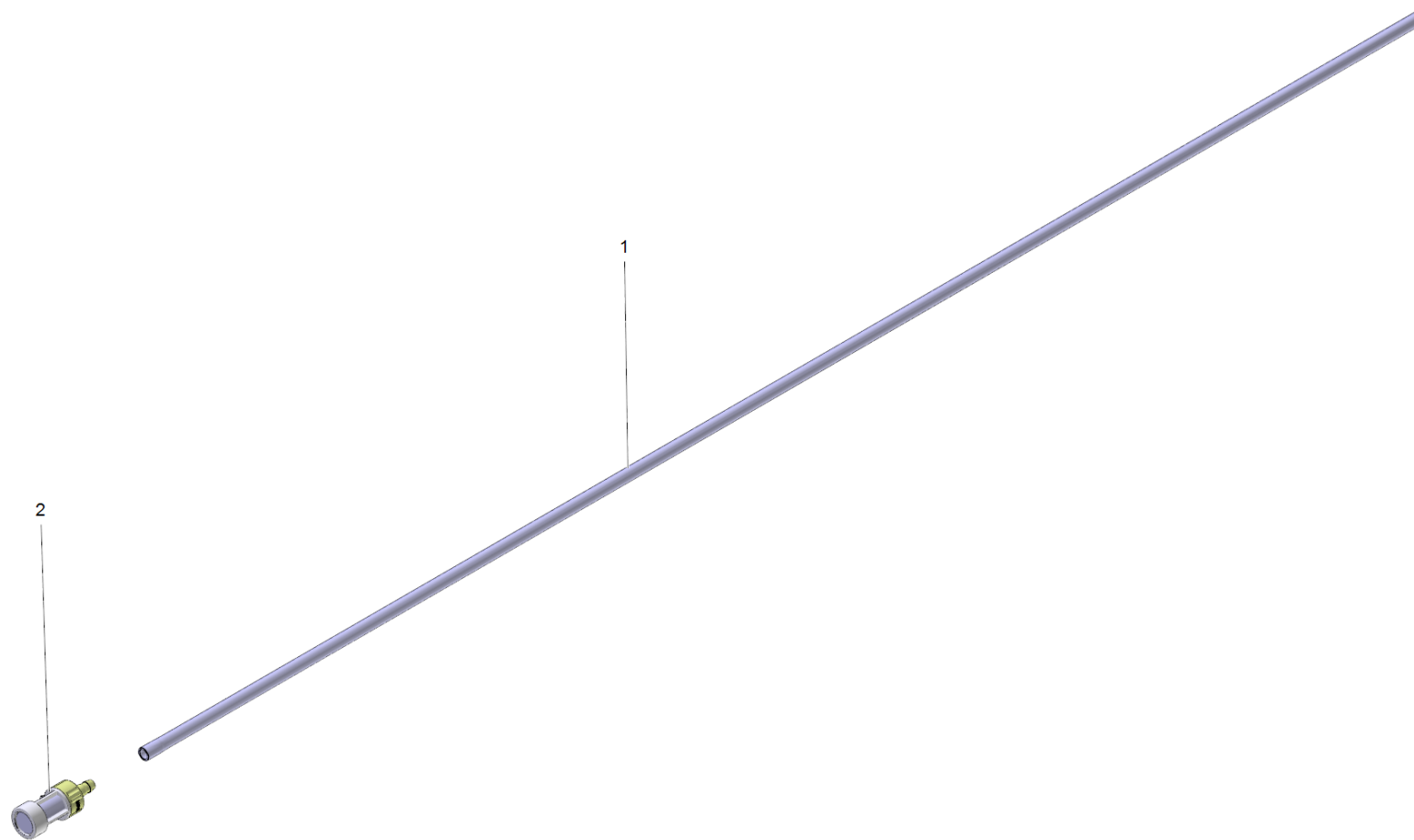
999 Tool (2.901-048.0)

POS	Article no.	Description	Quantity	Unit
1	5.901-223.0	Fitting case C=21,4; D=16,9mm	1.000	ST
2	5.901-224.0	Assembly mandril A=16,8;B=11,5mm	1.000	ST



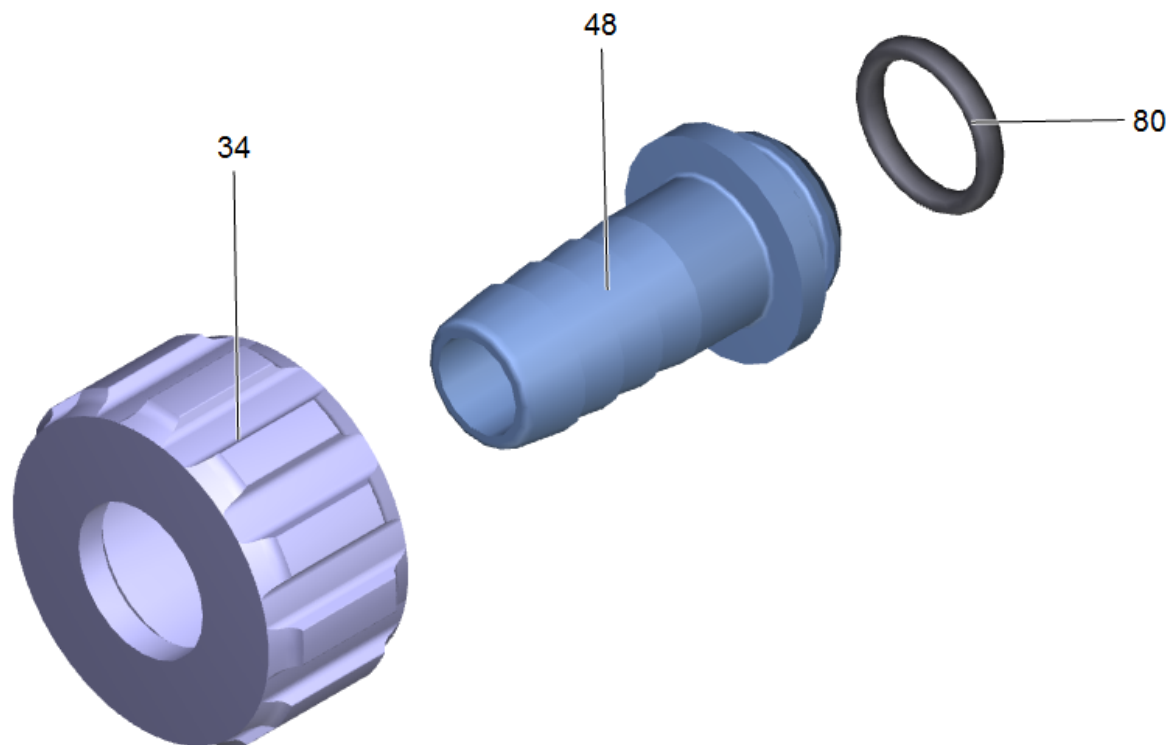
12 Cable with plug *EU (6.650-201.0)

POS	Article no.	Description	Quantity	Unit
66	5.363-807.0	Seal cable HDC	1.000	ST



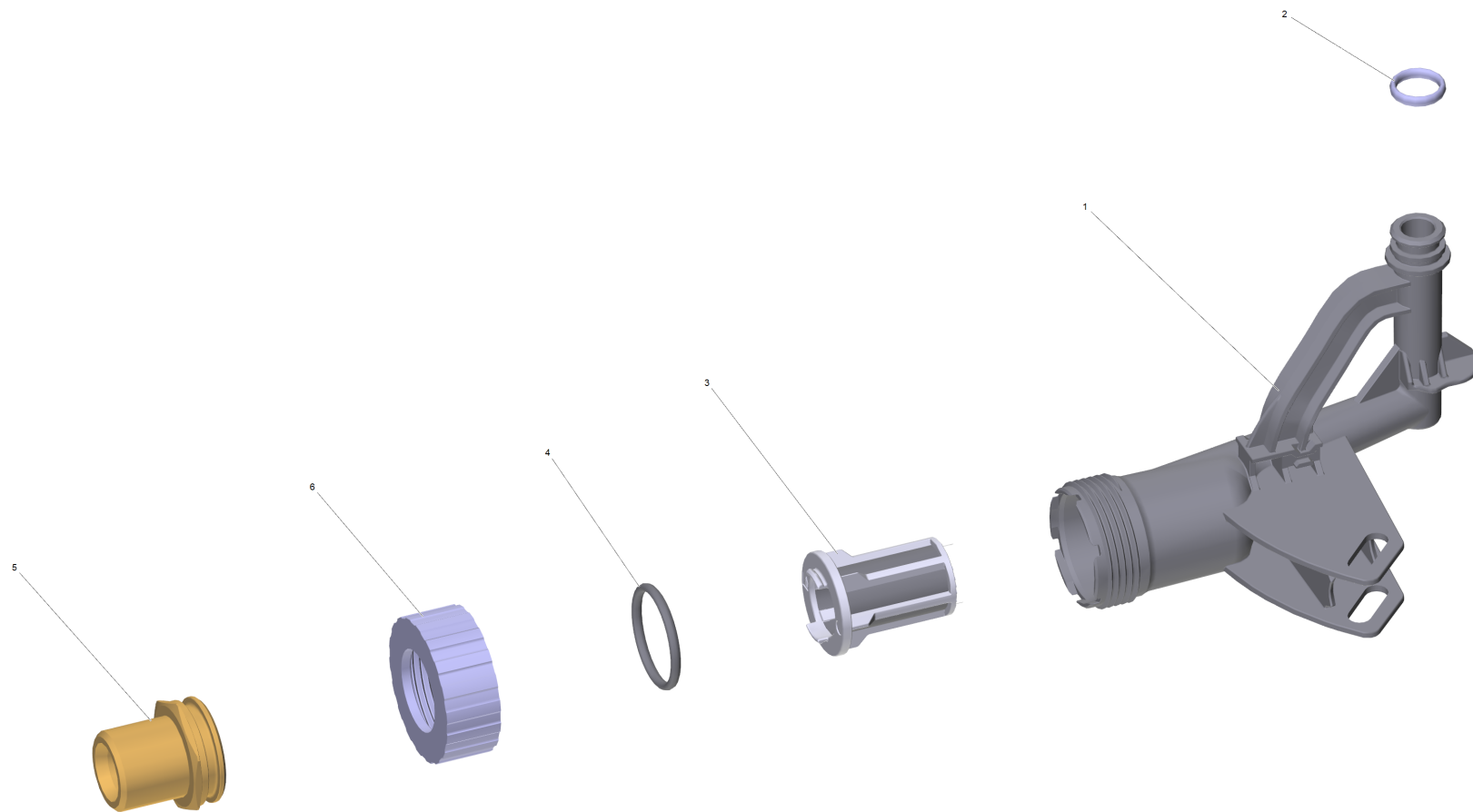
31 Filter with hose RM 1,05

POS	Article no.	Description	Quantity	Unit
1	6.388-216.0	Hose DN 5	1.000	M
2	4.862-225.0	Filter chemistry regulation	1.000	ST



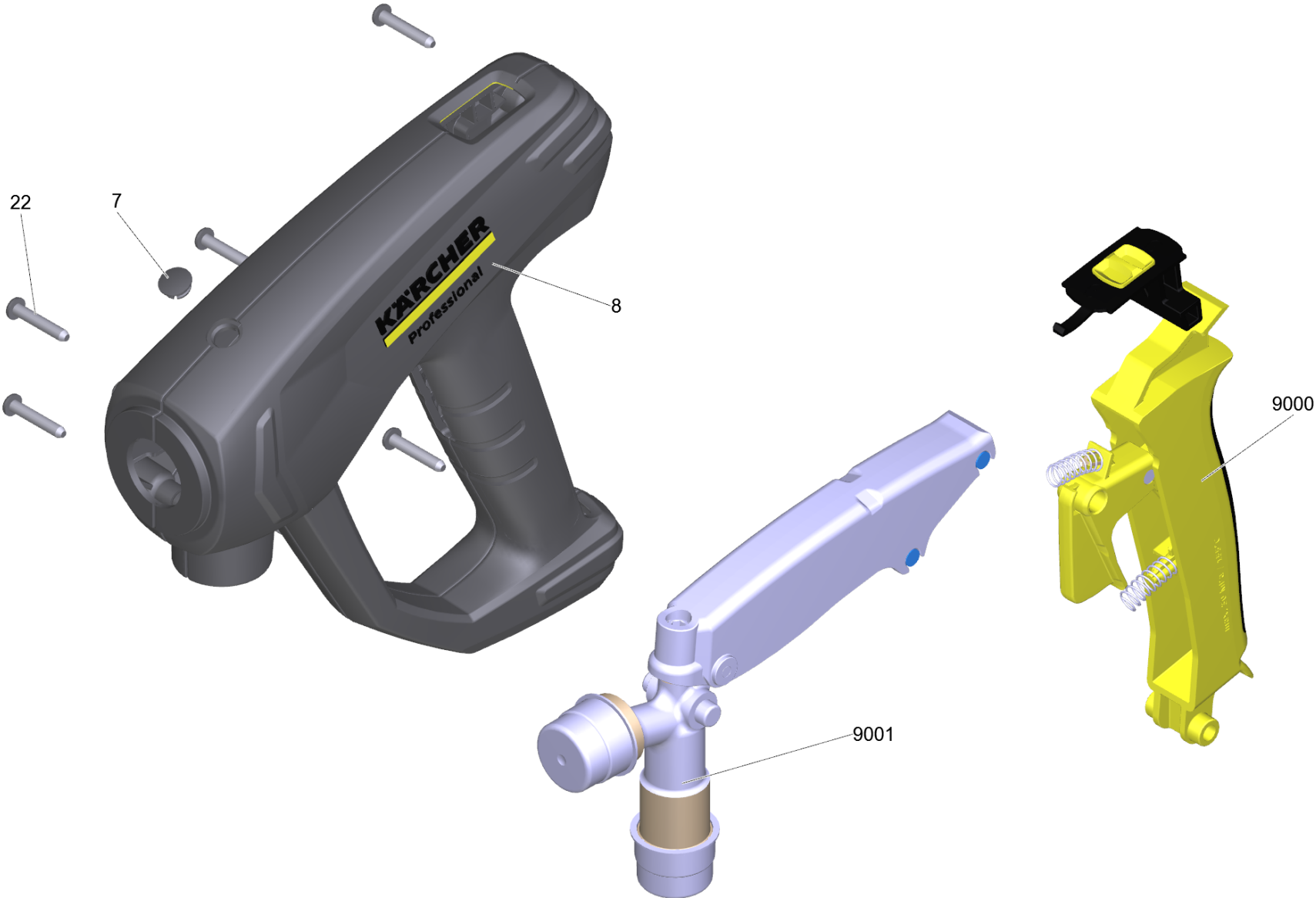
43 Screw connector part (4.401-056.0)

POS	Article no.	Description	Quantity	Unit
34	5.310-065.0	Nut	1.000	ST
48	5.443-229.0	Hose stem	1.000	ST
80	6.362-078.0	O-Ring seal 13,3x2,4	1.000	ST



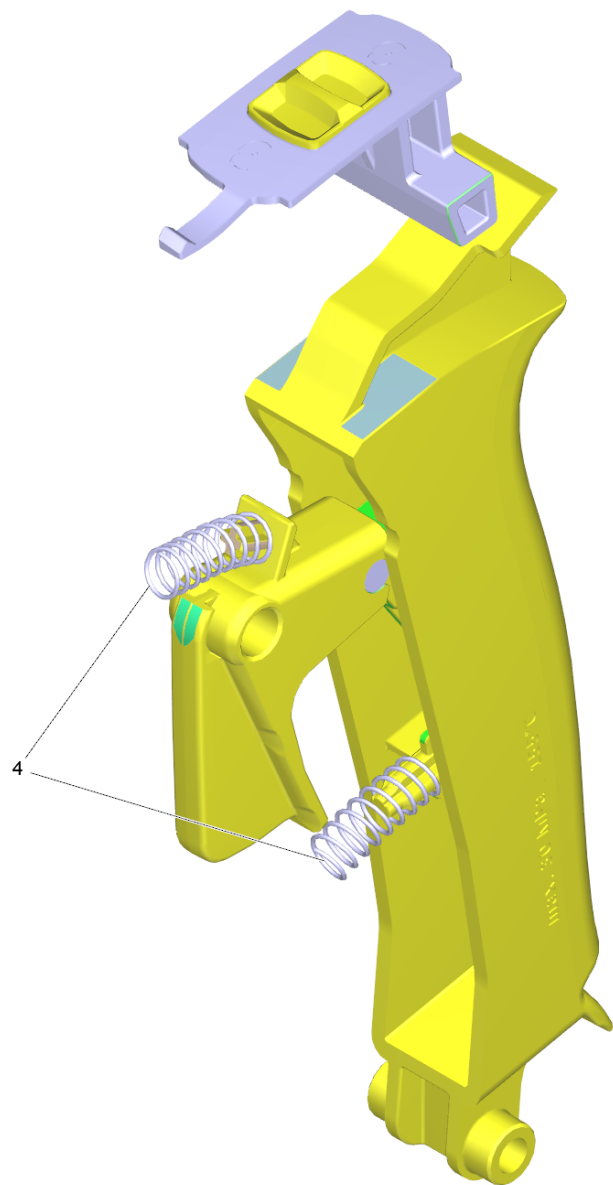
50 Water intake complete

POS	Article no.	Description	Quantity	Unit
1	5.443-672.0	Tube water intake	1.000	ST
2	6.363-610.0	O-Ring seal 13 x 3 -NBR	1.000	ST
3	5.731-059.0	Filter cartridge with cone (mesh 100)	1.000	ST
4	6.363-437.0	O-Ring seal 30x3	1.000	ST
5	5.064-517.0	Connection piece water intake G 3/4 A	1.000	ST
6	5.064-465.0	Nut water intake	1.000	ST



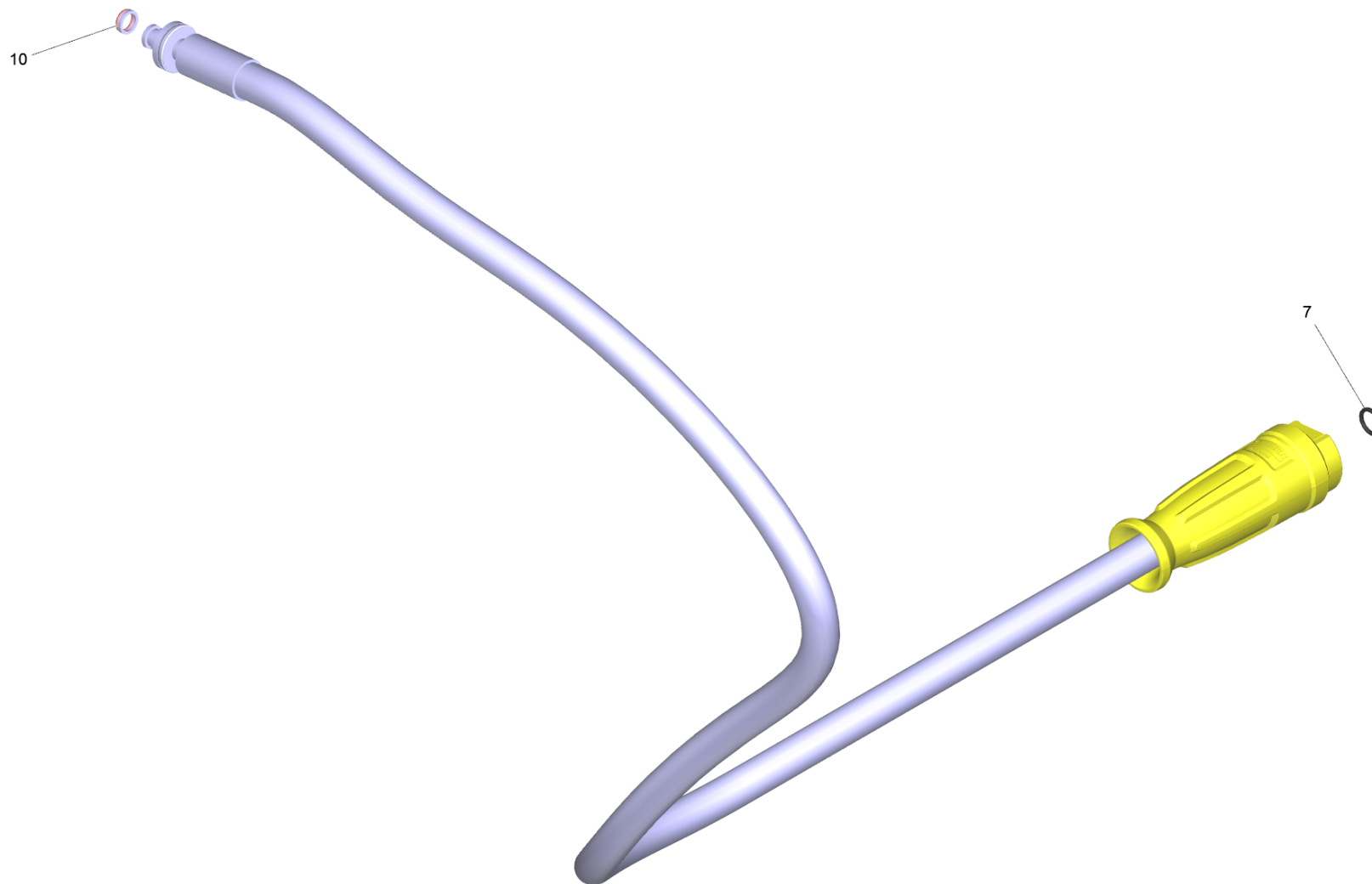
60 EASY!Force Advanced (4.118-005.0)

POS	Article no.	Description	Quantity	Unit
7	5.132-001.0	Plug	1.000	ST
8	5.321-136.3	Handhold few EH 155 only for replacement	1.000	ST
22	7.303-096.0	Screw 4x22 -ST-10.9-R2R (IN6RD)	7.000	ST
9000	2.885-483.0	Spare part set lever	1.000	ST
9001	4.427-014.0	Manifold TR EH 155 nur fuer Ersatz	1.000	ST



9000 Spare part set lever (2.885-483.0)

POS	Article no.	Description	Quantity	Unit
4	5.332-178.0	Helical spring	2.000	ST

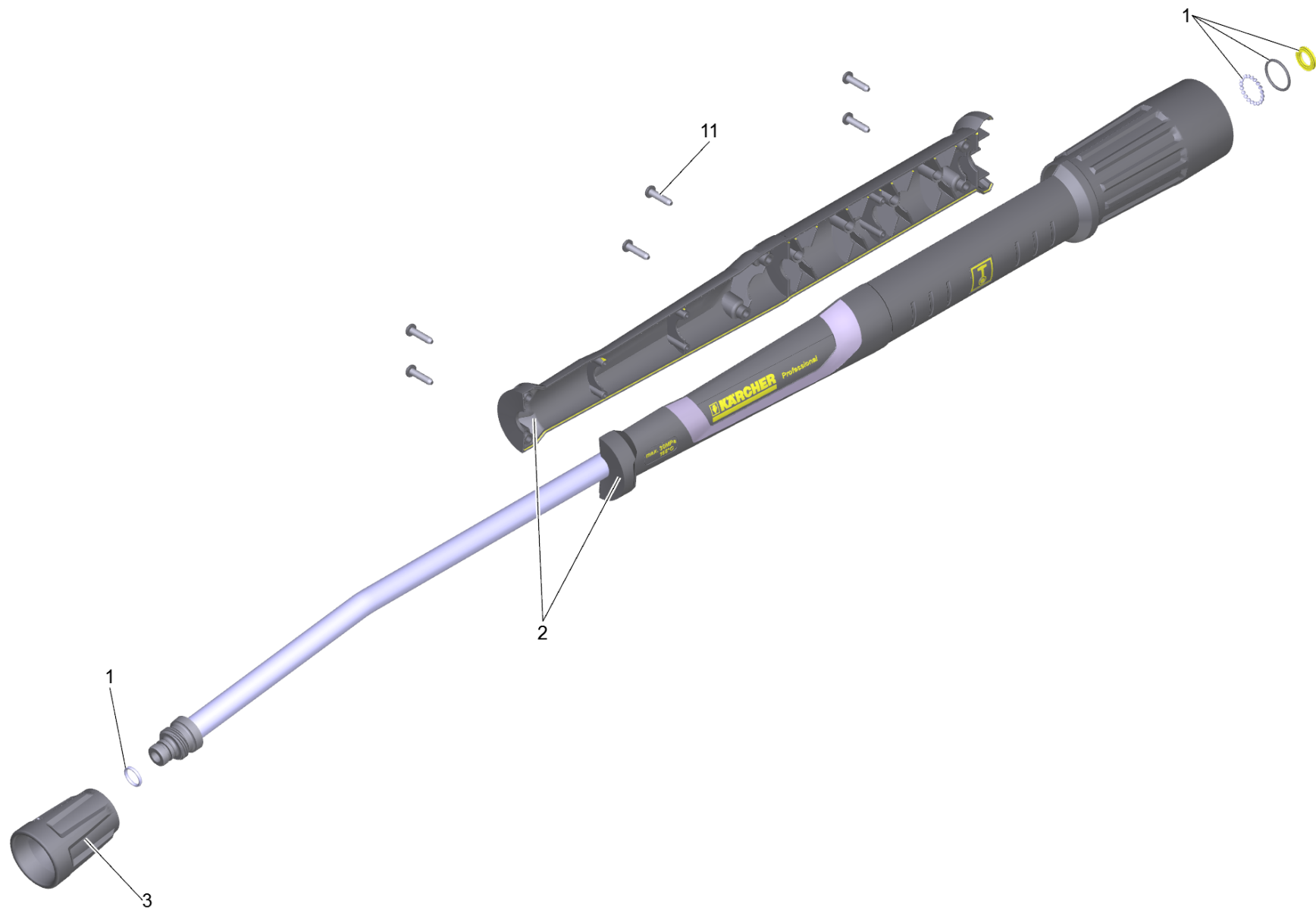


61 Hose assembly TR DN6 25MPa 15m (6.110-036.0)

POS	Article no.	Description	Quantity	Unit
7	2.880-154.0	O-Ring kit	1.000	ST
10	4.363-691.0	O-Ring seal kpl. -nur fuer Ersatz-	1.000	ST

63 Jet pipe TR 840 mm (4.112-006.0)

POS	Description	Quantity	Unit
1	Jet pipe TR 840 mm	1.000	ST

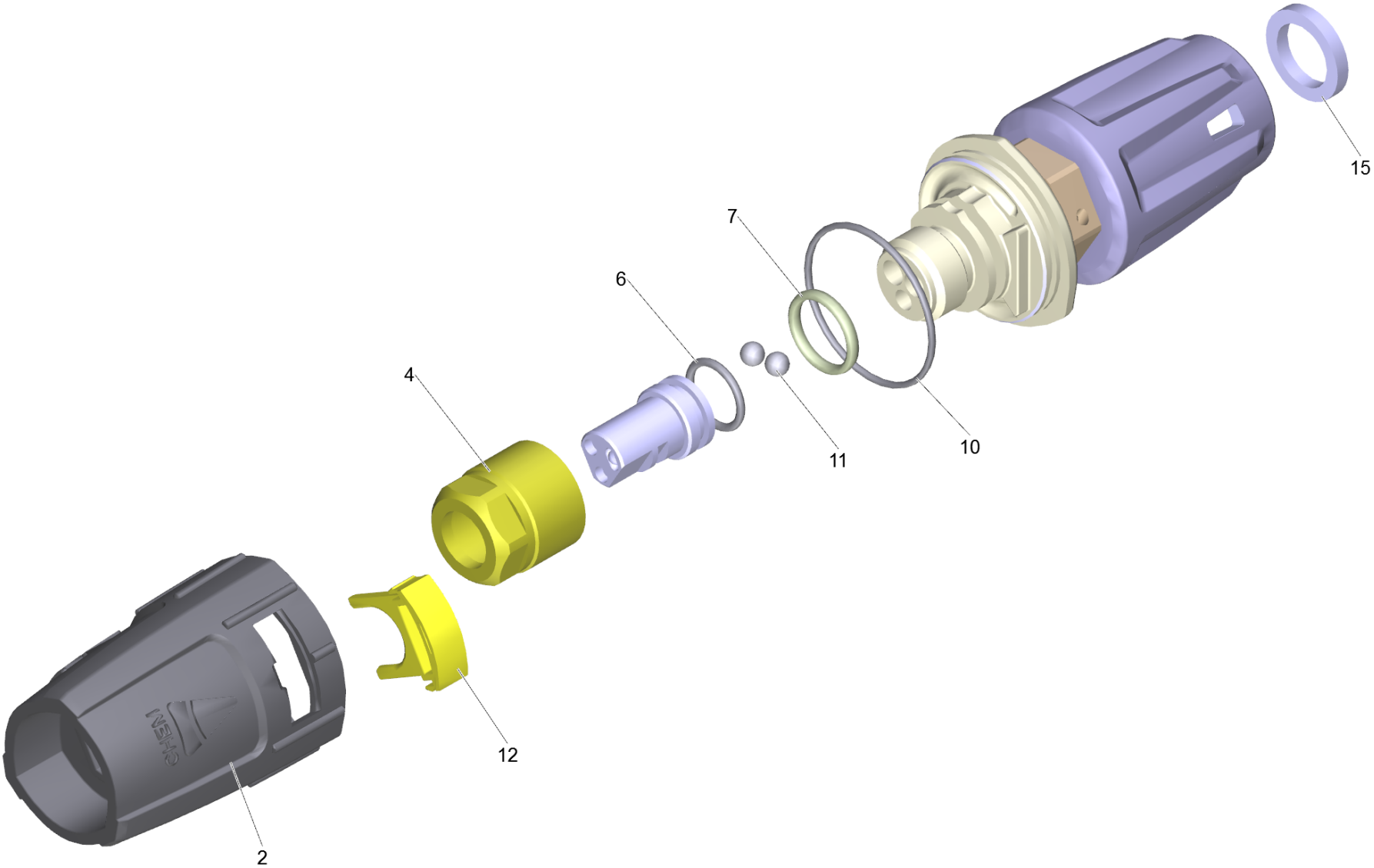


1 Jet pipe TR 840 mm

POS	Article no.	Description	Quantity	Unit
1	4.100-688.0	Spare part set seal TR	1.000	ST
2	5.321-018.3	Handle bowl jet pipe only for replacemen	1.000	ST
3	4.112-011.0	Protection part TR only for replacement	1.000	ST
11	7.303-129.0	Screw 4x16 -10.9-R2R (K-In6Rd)	6.000	ST

902 Triple jet nozzle TR 032 (4.117-027.0)

POS	Description	Quantity	Unit
1	Triple jet nozzle TR 032	1.000	ST



1 Triple jet nozzle TR 032

POS	Article no.	Description	Quantity	Unit
2	5.394-859.0	Protection part	1.000	ST
4	5.311-225.0	Nut	1.000	ST
6	6.362-480.0	O-Ring seal 12,42x 1,78	1.000	ST
7	6.362-460.0	O-Ring seal 14,0 X 2,5-NBR 70	1.000	ST
10	6.362-409.0	O-Ring seal 32,0 X 1,5	1.000	ST
11	7.401-902.0	Sphere 5 G20 -1.4034 DIN 5401	2.000	ST
12	5.321-884.0	Clamp	1.000	ST
15	6.363-696.0	Brake ring 14x20x3	1.000	ST