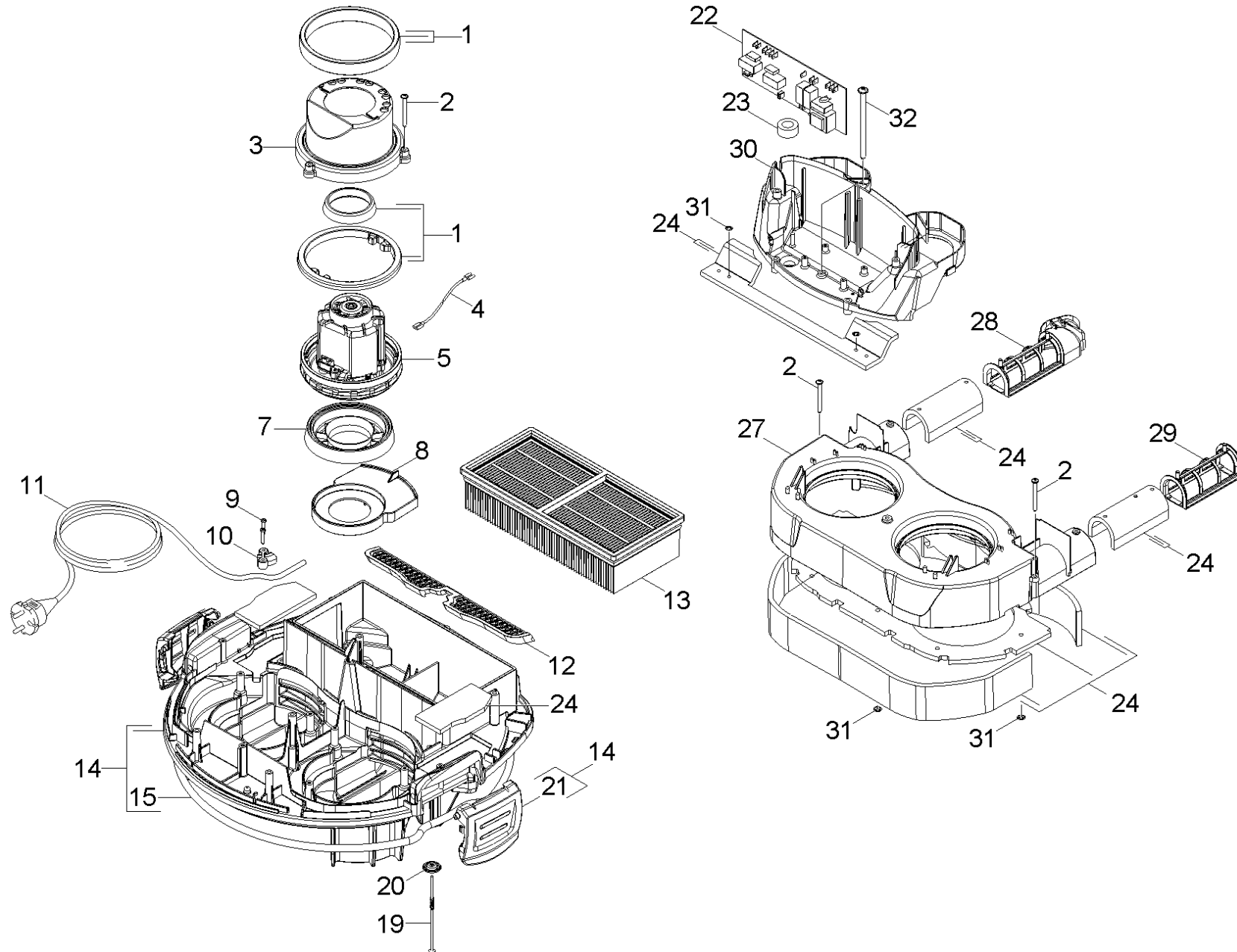


20 Vacuum motor

Professional \ Vacuum cleaner \ Wet-/dry vacuum cleaner \ NT 65/2 Tact \ Spare parts list NT 65/2 Tact² Tc \ Vacuum motor



20 Vacuum motor

Professional \ Vacuum cleaner \ Wet-/dry vacuum cleaner \ NT 65/2 Tact \ Spare parts list NT 65/2 Tact² Tc \ Vacuum motor

KÄRCHER

| POS | Preces Nr. | Apraksts | Quantity | Unit |
|-----|-------------|--|----------|------|
| 7 | 5.195-290.0 | Bearing blower | 2.000 | ST |
| 4 | 6.649-678.0 | Cable turbine | 4.000 | ST |
| 10 | 5.033-553.0 | Covering cap power cable | 1.000 | ST |
| 22 | 6.682-980.0 | Electronics | 1.000 | ST |
| 23 | 6.346-043.0 | Ferrite ring | 1.000 | ST |
| 30 | 5.044-950.0 | Holder electronics | 1.000 | ST |
| 29 | 5.394-867.0 | Holder insulating mat | 1.000 | ST |
| 28 | 5.394-894.0 | Holder insulating mat right | 1.000 | ST |
| 27 | 5.605-353.0 | Housing air circulation | 1.000 | ST |
| 14 | 4.605-125.0 | Housing base plate complete | 1.000 | ST |
| 3 | 5.605-340.0 | Housing turbine | 2.000 | ST |
| 8 | 5.401-322.0 | Insert housing base plate | 2.000 | ST |
| 24 | 2.286-003.0 | Insulating mat air circulation Set | 1.000 | ST |
| 21 | 5.033-434.0 | Locking clip | 2.000 | ST |
| 31 | 6.343-145.0 | Lock washer 5 | 6.000 | ST |
| 13 | 6.907-277.0 | Plakanais gofrētais filtrs. iepakots PES | 1.000 | ST |
| 11 | 6.649-792.0 | Power cable rubber 10m *EU | 1.000 | ST |
| 19 | 5.107-287.0 | Probe | 2.000 | ST |
| 2 | 7.303-085.0 | Screw 4x 35 -10.9-R2R (K-In6Rd) | 8.000 | ST |
| 12 | 5.363-729.0 | Seal supply air | 1.000 | ST |
| 1 | 2.363-001.0 | Seal turbine Set | 2.000 | ST |
| 9 | 7.303-096.0 | Skrūve 4x22 -ST-10.9-R2R (IN6RD) | 2.000 | ST |
| 32 | 7.303-171.0 | Skrūve 5x30 -10.9-R2R (K-In6Rd) | 2.000 | ST |
| 15 | 6.362-857.0 | Vads no porainās gumijas D10 | 1.000 | ST |
| 5 | 6.490-245.0 | Vakuuma turbīna 230V | 2.000 | ST |
| 20 | 6.312-130.0 | Washer | 2.000 | ST |