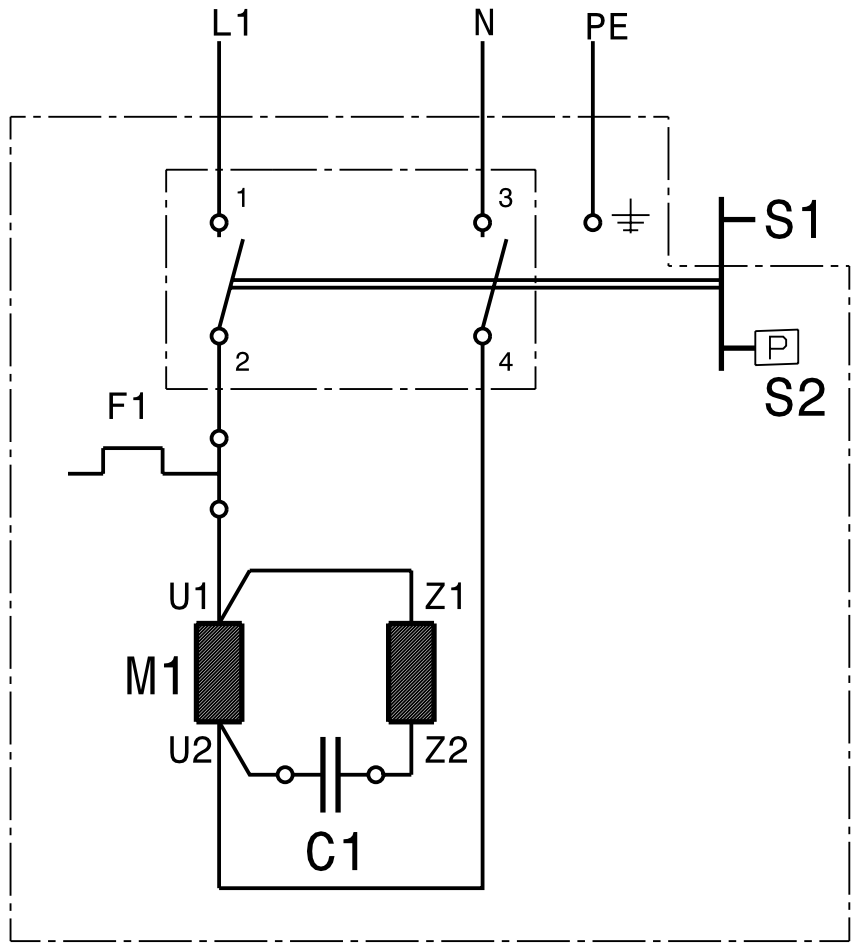


Compliance with the current version of Kärcher standard KÄN 050.032 "Constituent substances" (ban of lead, cadmium, etc.) must be guaranteed. Standard date format according to ISO 8601 (YYYY-MM-DD).  
 The reproduction, distribution and utilization of this document as well as the communication of its contents to others without explicit authorization is prohibited. Offenders will be held liable for the payment of damages.  
 All rights reserved in the event of the grant of a patent, utility model or design. Copyright © Alfred Kärcher GmbH & Co. KG

230V 1~ 50Hz  
 240V 1~ 50Hz  
 100V 1~ 50Hz  
 100V 1~ 60Hz  
 120V 1~ 60Hz



- M1 Motor/motor/moteur/motor
- C1 Betriebskondensator/capacitor/condensateur/  
condensador de servicio
- S1 Geräteschalter/switch/interrupteur/interruptor
- S2 Druckschalter/pressure switch/interrupteur a pression/  
prespstat
- F1 Thermokontakt/thermostat contact/thermo-contact/  
termostático contacto

  Maße werden besonders geprüft  
*especially checked dimensions*
Erstmusterprüfung   
*first sample examination*

Werkstoff <i>material / substance</i>		Allgemeintoleranzen <i>general tolerances</i>		Projection E  dimensions in mm		Oberfläche / <i>surface</i> EN ISO 1302				
Halbzeug <i>semi finished product</i>		Tolerierung / <i>toleration</i>		Material-Nr. / <i>material no.</i> 0.087-970.0		Benennung / <i>description</i> SLP KAER 520 M Wiring diagram KAER 520 M				
Werkstoffbez. / <i>mat. designation</i> <input type="checkbox"/> geprüft Schweißstechn. / <i>welding techn.</i> <input type="checkbox"/> checked		document		number	type	version	status	scale	sheet	of
		SLP K 520/670M-MS		5166115	SLP	00	FR	1:1	1	1
Datum <i>date</i>	Gezeichnet <i>drawn by</i>	Geprüft <i>checked by</i>	Normgeprüft <i>std. checked by</i>	Änderung / <i>Engineering change</i>			Ersatz für / <i>replaces</i>			
				index	Anzahl / <i>count</i>	number	Datum / <i>date</i>	index		
2008-03-28	AW02881	AW02881	AW03274	d	1	2020587	1995-11-23	d		
4	3	2	1							