

Spare parts list

(1.723-700.0) A 2604 *EU

Table of contents

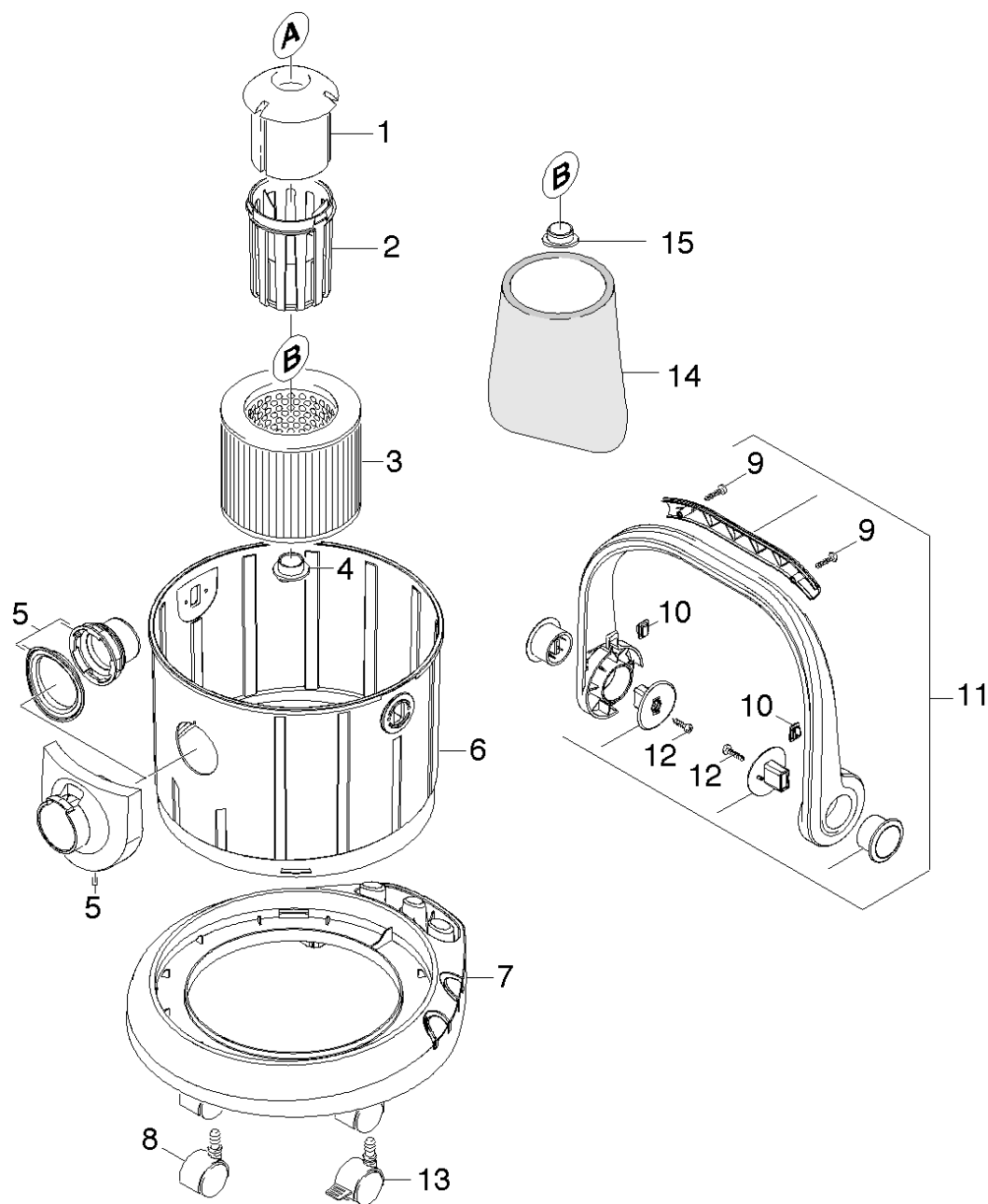
A 2604 *EU (1.723-700.0)	3
201 Spare parts list A 2604 (5.970-495.0)	4
10 Appliance individual parts	5
20 Vacuum motor	7
30 Accessories	9

A 2604 *EU (1.723-700.0)

POS	Article no.	Description	Quantity	Unit
201	5.970-495.0	Spare parts list A 2604	1.000	ST

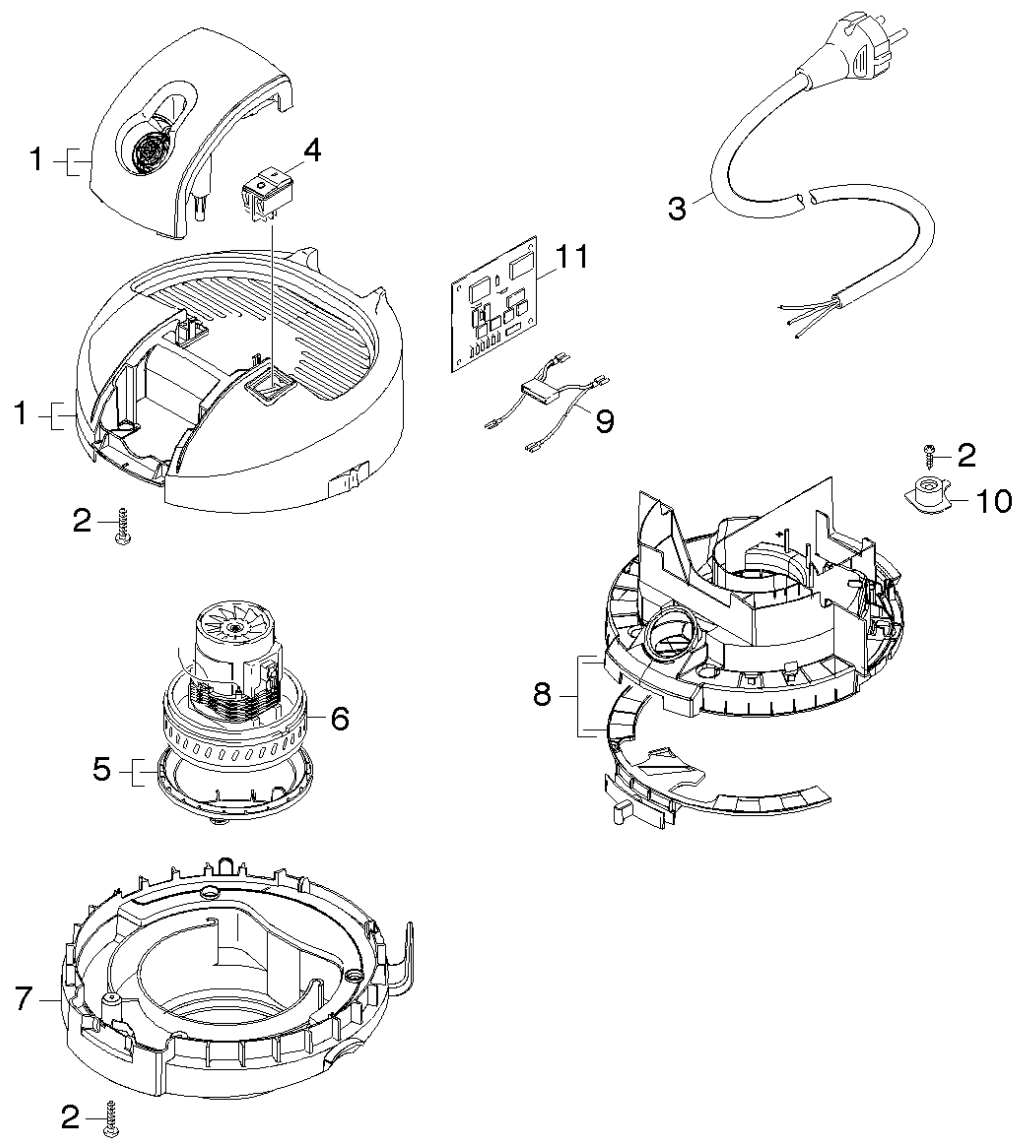
201 Spare parts list A 2604 (5.970-495.0)

POS	Description	Quantity	Unit
30	Accessories	1.000	ST
10	Appliance individual parts	1.000	ST
20	Vacuum motor	1.000	ST



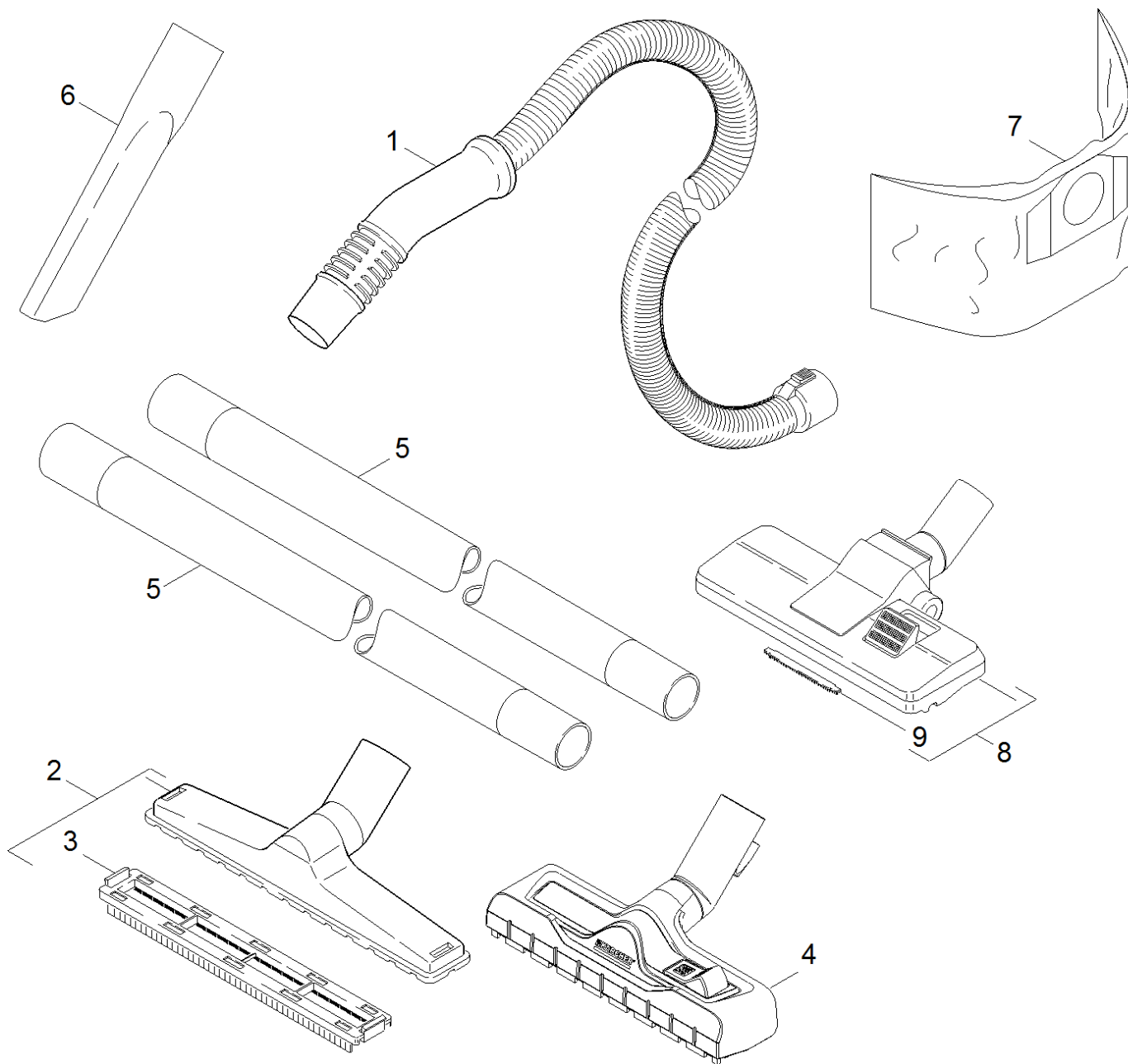
10 Appliance individual parts

POS	Article no.	Description	Quantity	Unit
7	9.036-978.0	BUMPER	1.000	ST
3	6.414-552.0	Cartridge filter	1.000	ST
8	6.435-353.0	Castor D 42	4.000	ST
4	4.075-012.0	Closure complete	1.000	ST
15	9.036-691.0	Covering cap	1.000	ST
14	5.731-595.0	Filter	1.000	ST
2	9.036-992.0	Filtering basket	1.000	ST
1	9.037-076.0	Float A2204	1.000	ST
11	9.001-284.0	Handhold complete	1.000	ST
10	9.037-029.0	Insert notch	2.000	ST
9	9.086-184.0	Screw 3x20	2.000	ST
12	7.303-098.0	Screw 5x20 -10.9-R2R (K-In6Rd)	2.000	ST
5	9.001-285.0	Suction connection complete	1.000	ST
6	9.036-980.0	Tank	1.000	ST
13	9.037-133.0	Wheel with brake	1.000	ST



20 Vacuum motor

POS	Article no.	Description	Quantity	Unit
5	9.079-030.0	Bearing turbine A2204 Domel	1.000	ST
9	9.084-176.0	Cable and capacitor	1.000	ST
	Item text1: //1.723-700.0			
3	9.084-184.0	Cable H05VV-F 2x1	1.000	ST
	Item text1: //1.723-701.0			
3	9.084-182.0	Cable H05VV-F 2x1	1.000	ST
	Item text1: //1.723-700.0			
11	4.682-111.0	Circuit board smooth running for replace	1.000	ST
	Item text1: //1.723-701.0			
1	9.001-287.0	Housing	1.000	ST
7	9.001-441.0	Motor bracket complete	1.000	ST
8	9.012-101.0	Moulded part	1.000	ST
2	7.303-096.0	Screw 4x22 -ST-10.9-R2R (IN6RD)	6.000	ST
10	9.036-997.0	Strain relief	1.000	ST
4	6.630-087.0	Switch	1.000	ST
6	6.490-210.0	Vacuum motor 1600 W	1.000	ST



30 Accessories

POS	Article no.	Description	Quantity	Unit	Remark
8	6.906-511.0	Combination nozzle DN35	1.000	ST	
6	6.900-385.0	Crevice nozzle DN35	1.000	ST	
7	6.959-130.0	Filter bags 5St.	1.000	ZSA	
2	2.862-141.0	Floor tool complete	1.000	ST	
4	2.863-000.0	Floor tool switchable packaged	1.000	ST	
3	9.036-892.0	Mixing insert	1.000	ST	
1	9.012-004.0	Suction hose DN35x2	1.000	ST	2,0M
5	2.863-148.0	Suction tube DN35	2.000	ST	
9	6.905-410.0	Thread clipper	1.000	ZSA	