

Spare parts list

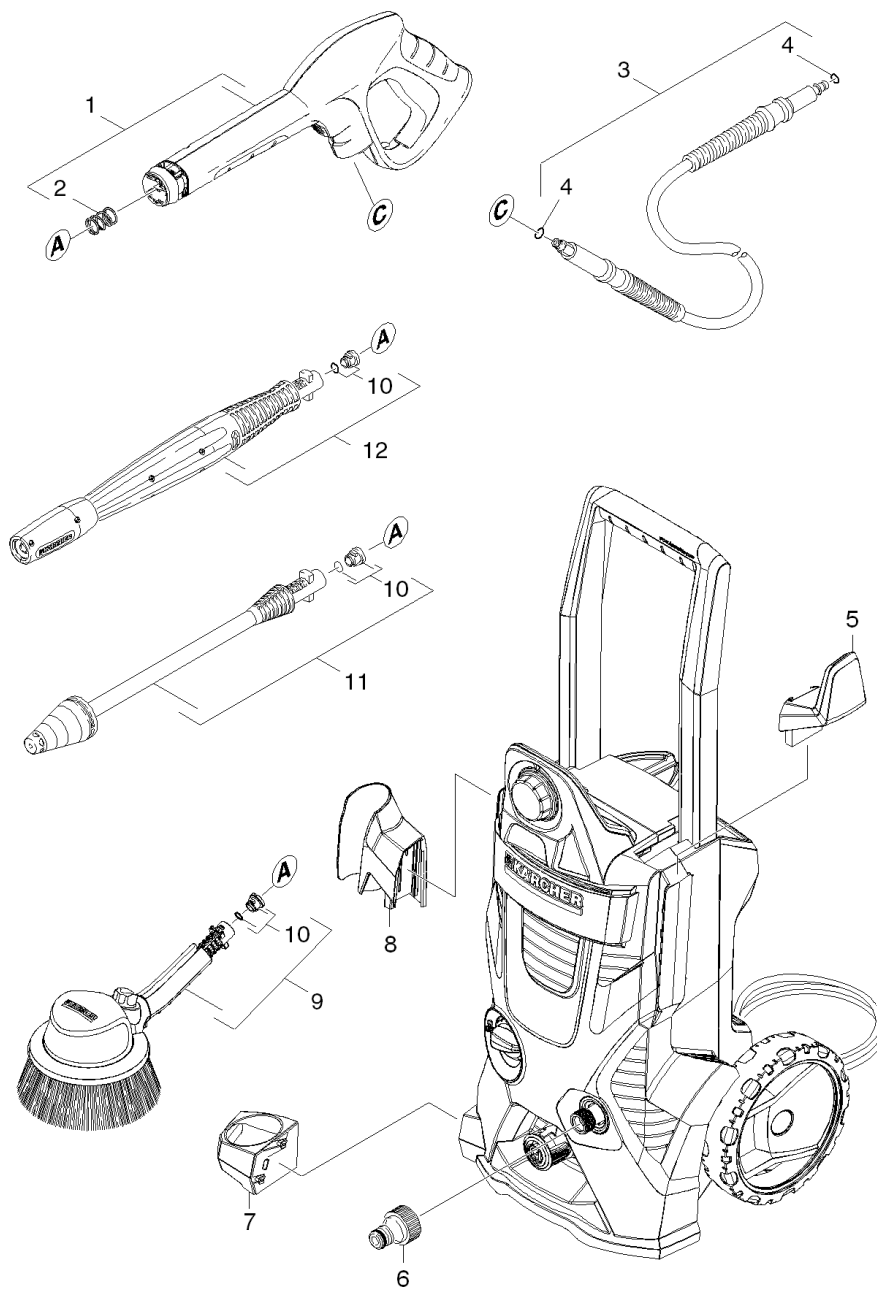
(1.181-200.0) K 5.600 *EU

Table of contents

K 5.600 *EU (1.181-200.0)	3
Short spare parts list	4
201 Spare parts list K5.600 Modul Range (5.971-160.0)	6
10 Housing	7
20 Pump set	9
21 Housing	10
13 Spare part set control head (9.001-800.0)	12
70 Nozzle insert (4.769-035.0)	14
15 Pump head Alu (9001-2740) new oil seal (9.002-188.0)	16
23 Nozzle insert (4.769-035.0)	18
22 Thrust guidance	20
30 Motor	22
40 Accessories	24
41 Hand trigger gun	25
G 160 Q pistol Quick Connect (2.642-172.0)	27
2 H 9 Q high pressure hose Quick Connect (2.641-721.0)	29
42 Jet pipe	31
2 VPS K5 0287 (4.760-527.0)	33
3 Dirt blaster 031 St - CEM 14,5MPa (4.764-281.0)	35
7 WB 100 washing brush (2.643-236.0)	37
43 Surface cleaner	39
1 Single-step jet pipe extension (2.643-240.0)	41
7 Spare parts nozzles T-Racer (2.643-338.0)	43
44 Surface cleaner	46
1 Single-step jet pipe extension (2.643-240.0)	48
7 Spare parts nozzles T-Racer (2.643-338.0)	50
50 Electric box	53

K 5.600 *EU (1.181-200.0)

POS	Article no.	Description	Quantity	Unit
0		Short spare parts list	1.000	ST
201	5.971-160.0	Spare parts list K5.600 Modul Range	1.000	ST

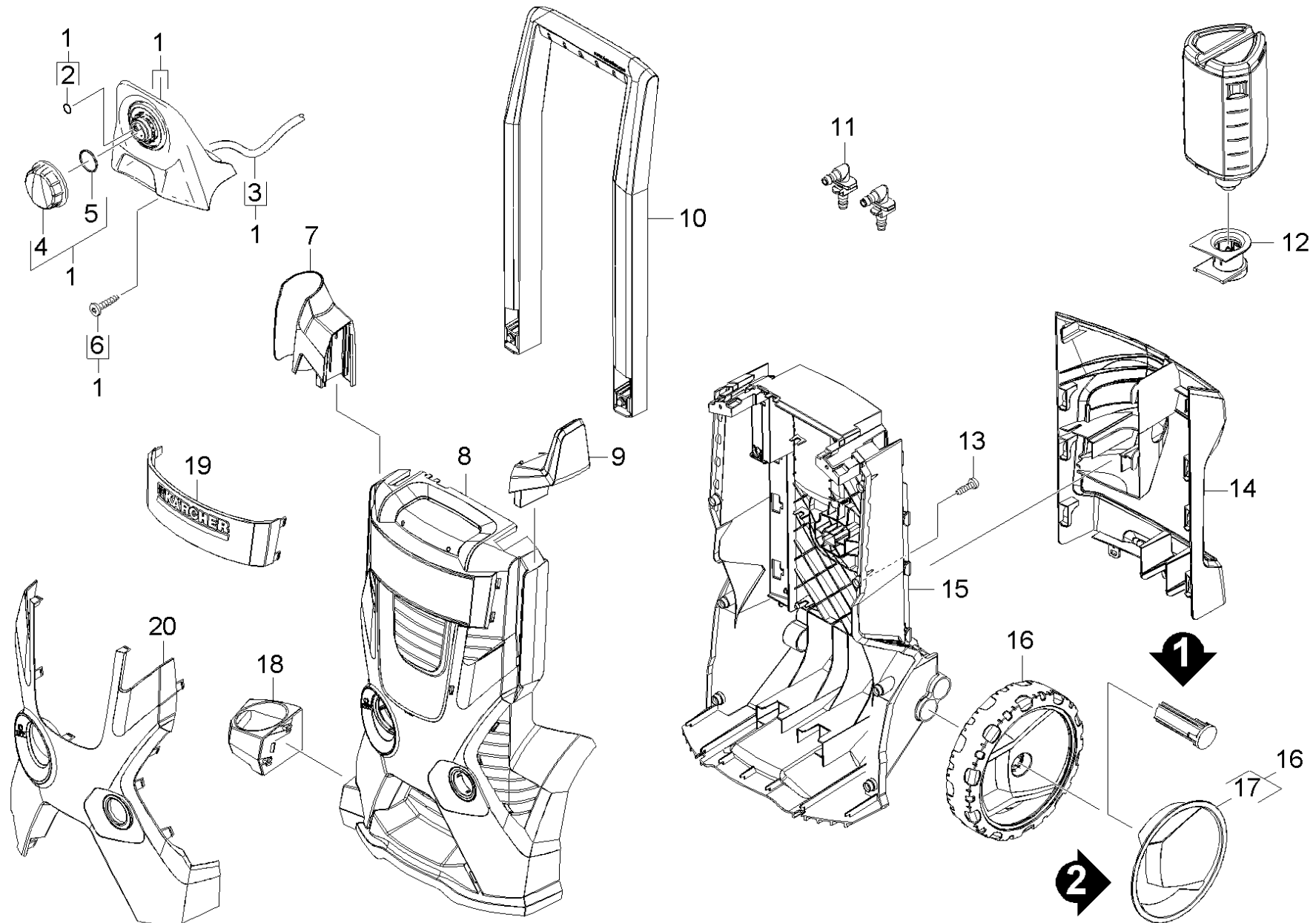


Short spare parts list

POS	Article no.	Description	Quantity	Unit
1	2.642-172.0	G 160 Q pistol Quick Connect	1.000	ST
2	5.332-464.0	Pressure spring	1.000	ST
3	2.641-721.0	H 9 Q high pressure hose Quick Connect	1.000	ST
4	6.363-410.0	O-Ring seal 5,7x1,78 NBR 90Shore	2.000	ST
5	9.037-622.0	Catch for cable	1.000	ST
6	6.465-031.0	Connection 3/4	1.000	ST
7	9.037-619.0	Holder pistol bottom	1.000	ST
8	9.037-618.0	Holder pistol above	1.000	ST
9	2.643-236.0	WB 100 washing brush	1.000	ST
10	2.640-729.0	O-Ring seal set	3.000	ST
11	4.764-262.0	Dirt blaster 031 St - CEM	1.000	ST
12	4.760-527.0	VPS K5 0287	1.000	ST

201 Spare parts list K5.600 Modul Range (5.971-160.0)

POS	Description	Quantity	Unit
10	Housing	1.000	ST
20	Pump set	1.000	ST
30	Motor	1.000	ST
40	Accessories	1.000	ST
50	Electric box	1.000	ST

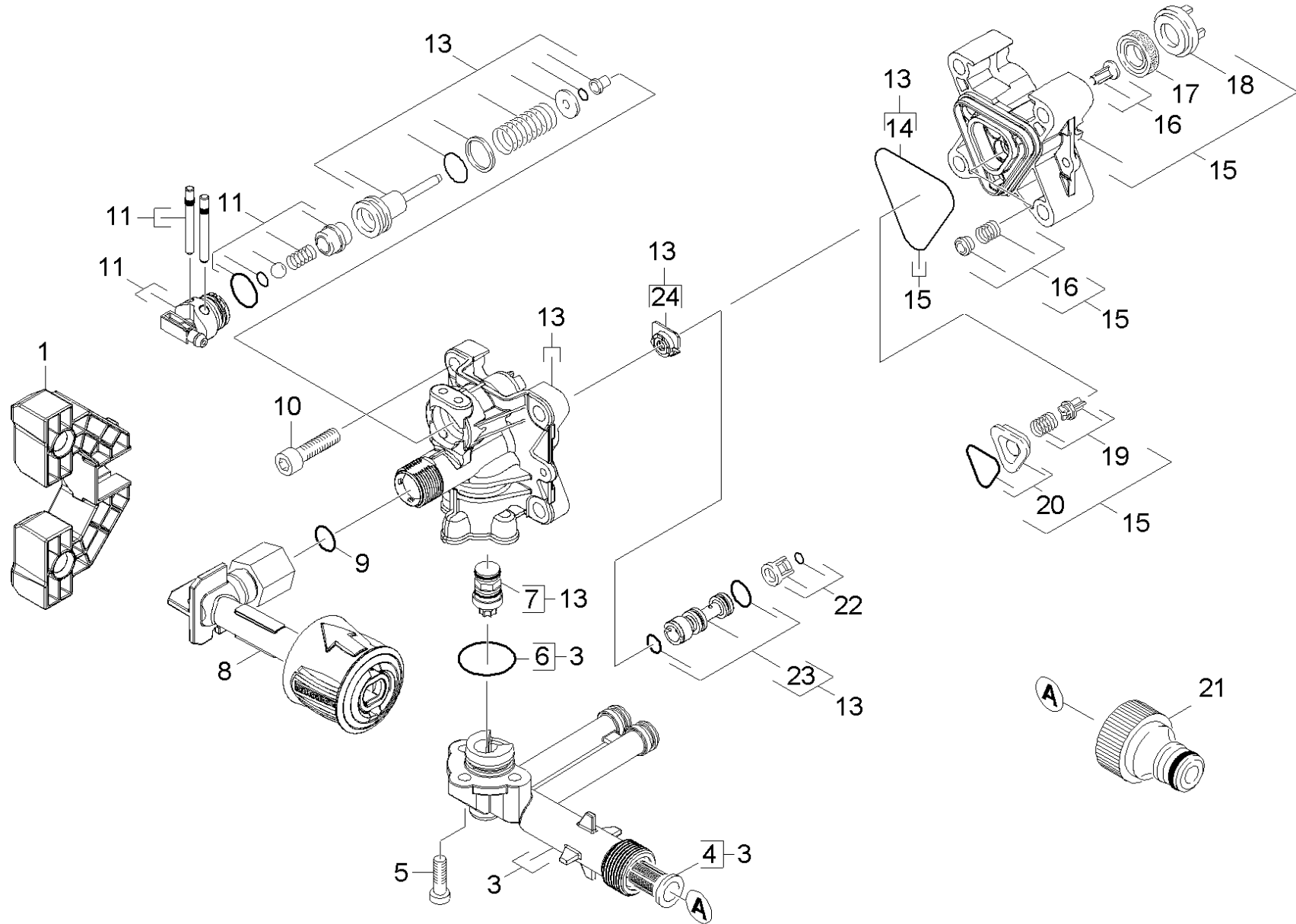


10 Housing

POS	Article no.	Description	Quantity	Unit	Foot note text
1	2.885-283.0	Spare parts set hook hose	1.000	ST	
2	6.363-018.0	O-Ring seal 4X2	1.000	ST	
3	6.390-426.0	Hose DN 5	1.000	M	TO ORDER AS CUT GOODS
4	9.037-621.0	Handhold chemistry	1.000	ST	
5	6.362-522.0	O-Ring seal 24,0 X 2,0	1.000	ST	
6	9.086-203.0	Screw 4x22	2.000	ST	
7	9.037-618.0	Holder pistol above	1.000	ST	
8	9.038-016.0	Cover	1.000	ST	
	Item text1: 1.181-209.0 /-217.0				
8	9.037-634.0	Cover Modular	1.000	ST	
	Item text1: 1.181-200.0 /-201.0 /-202.0 /-203.0				
	Item text2: /-204.0 /-205.0 /-212.0 /-213.0				
9	9.037-622.0	Catch for cable	1.000	ST	
10	9.037-626.0	Modular telescopic handle	1.000	ST	
11	9.037-861.0	Nipple 90° Mod.Range	2.000	ST	
12	9.012-681.0	RM retainer station	1.000	ST	
13	9.086-221.0	Screw ATF 4.1x22	8.000	ST	
	Item text1: 1.181-200.0/-217.0				
13	9.086-173.0	Screw Hi-Lo d.4x22 Torx-d.7,5	8.000	ST	
14	9.038-023.0	Holder accessories EU-USA	1.000	ST	
15	9.037-871.0	Housing rear WCM Modular	1.000	ST	
16	4.515-325.0	Wheel set replacement 200 HUMMER	1.000	ST	SET OF 2 PIECES
17	4.515-292.0	Screen for replacement 200 Hummer SF	1.000	ST	SET OF 2 PIECES
18	9.037-619.0	Holder pistol bottom	1.000	ST	
19	9.001-766.0	Covering cap complete silver	1.000	ST	
20	9.037-630.0	Cover yellow X -TOP	1.000	ST	

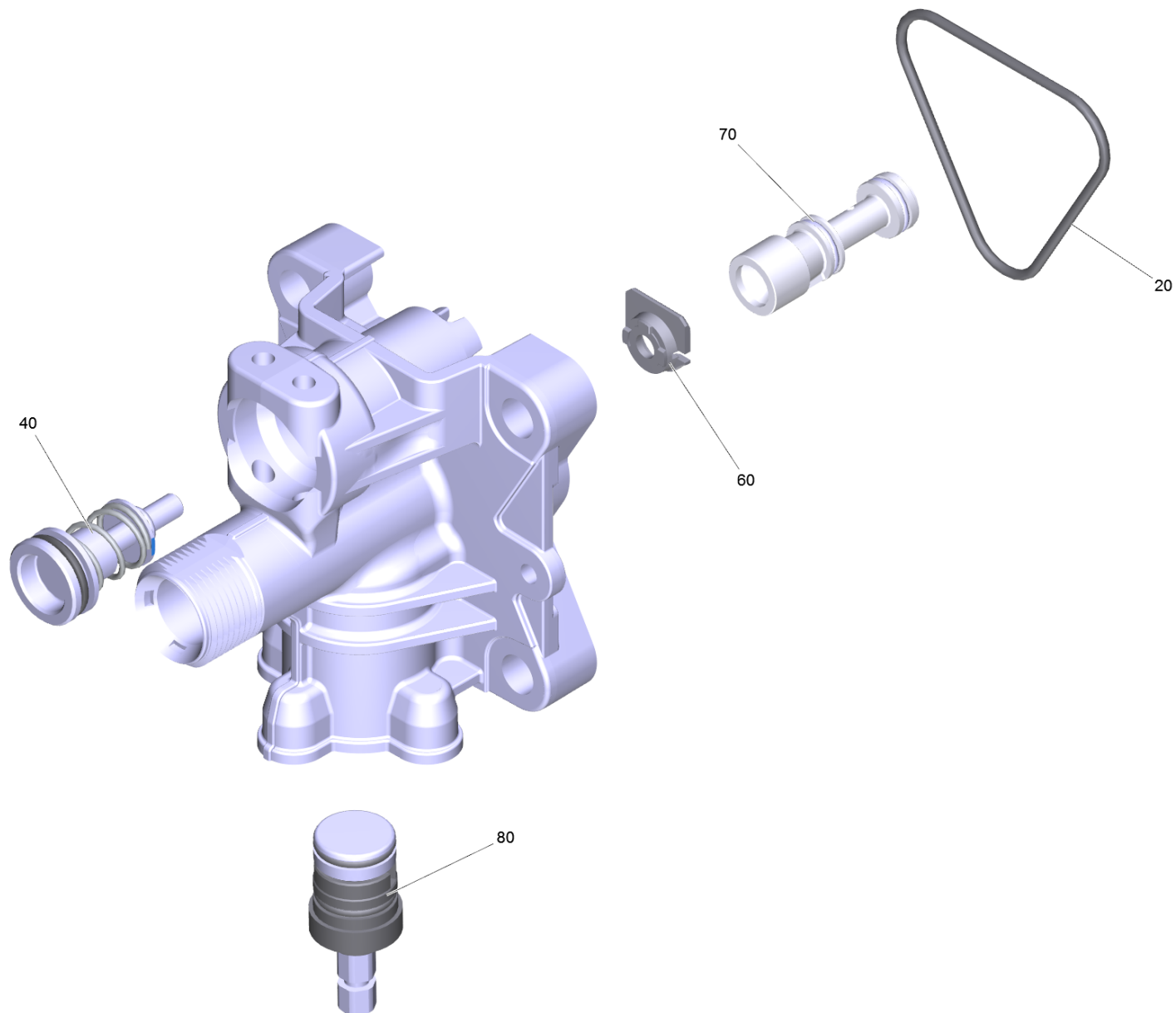
20 Pump set

POS	Description	Quantity	Unit
21	Housing	1.000	ST
22	Thrust guidance	1.000	ST



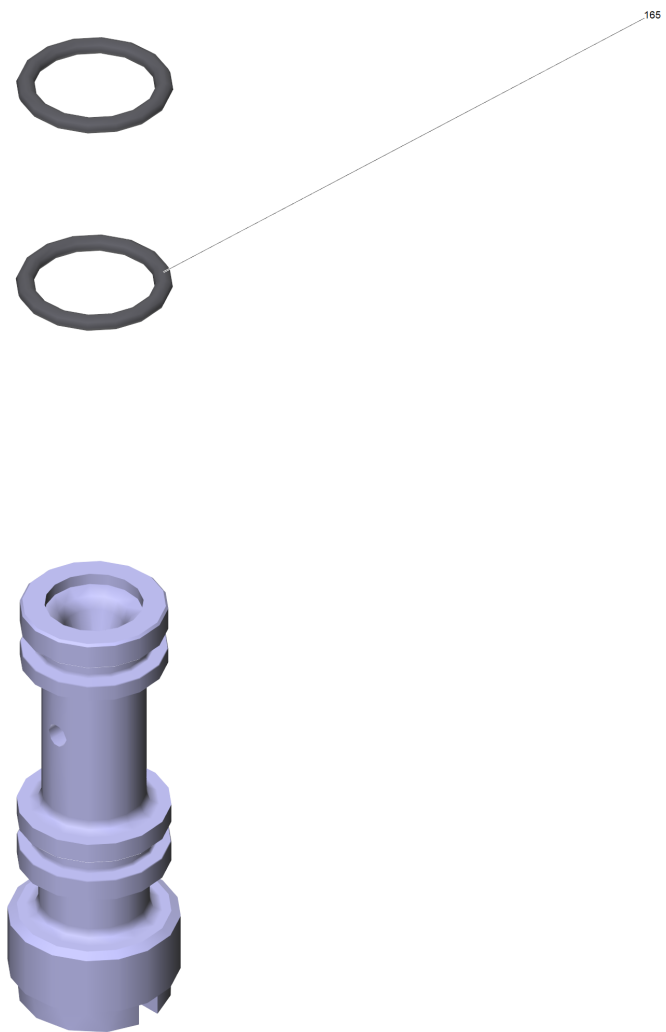
21 Housing

POS	Article no.	Description	Quantity	Unit
1	9.037-673.0	Bracket pump (bridge)	1.000	ST
3	9.001-745.0	Connection complete	1.000	ST
4	5.731-598.0	Fine filter long	1.000	ST
5	9.086-199.0	Screw M6x16	3.000	ST
6	9.081-417.0	O-Ring d.20 x 2	1.000	ST
7	9.002-164.0	plastic by pass (spare)	1.000	ST
8	9.001-746.0	Connection delivery side	1.000	ST
9	6.362-151.0	O-Ring d. 10 x 2 NBR 70	1.000	ST
10	7.306-151.0	Cylinder head screw M8x65 -8.8-A2E ISO4	4.000	ST
11	9.001-277.0	Spare parts set chemistry	1.000	ST
13	9.001-800.0	Spare part set control head	1.000	ST
14	9.081-424.0	Form seal	1.000	ST
15	9.001-274.0	Spare part set control head	1.000	ST
	Item text1: all other machines			
15	9.002-188.0	Pump head Alu (9001-2740) new oil seal	1.000	ST
	Item text1: 1.180-200.0/-217.0/-218.0/-230.0			
16	9.001-110.0	Moulded part complete	1.000	ST
17	6.362-875.0	Grooved ring	3.000	ST
18	9.038-428.0	Supportring 6,7 mm	3.000	ST
	Item text1: 1.180-200.0/-217.0/-218.0/-230.0			
18	9.037-059.0	Support ring	3.000	ST
	Item text1: all other machines			
19	9.001-275.0	Valve set	1.000	ST
20	9.001-276.0	Joining piece	1.000	ST
21	6.465-031.0	Connection 3/4	1.000	ST
22	9.001-819.0	Cage complete	1.000	ST
23	4.769-035.0	Nozzle insert	1.000	ST
24	9.037-142.0	Distance holder	1.000	ST



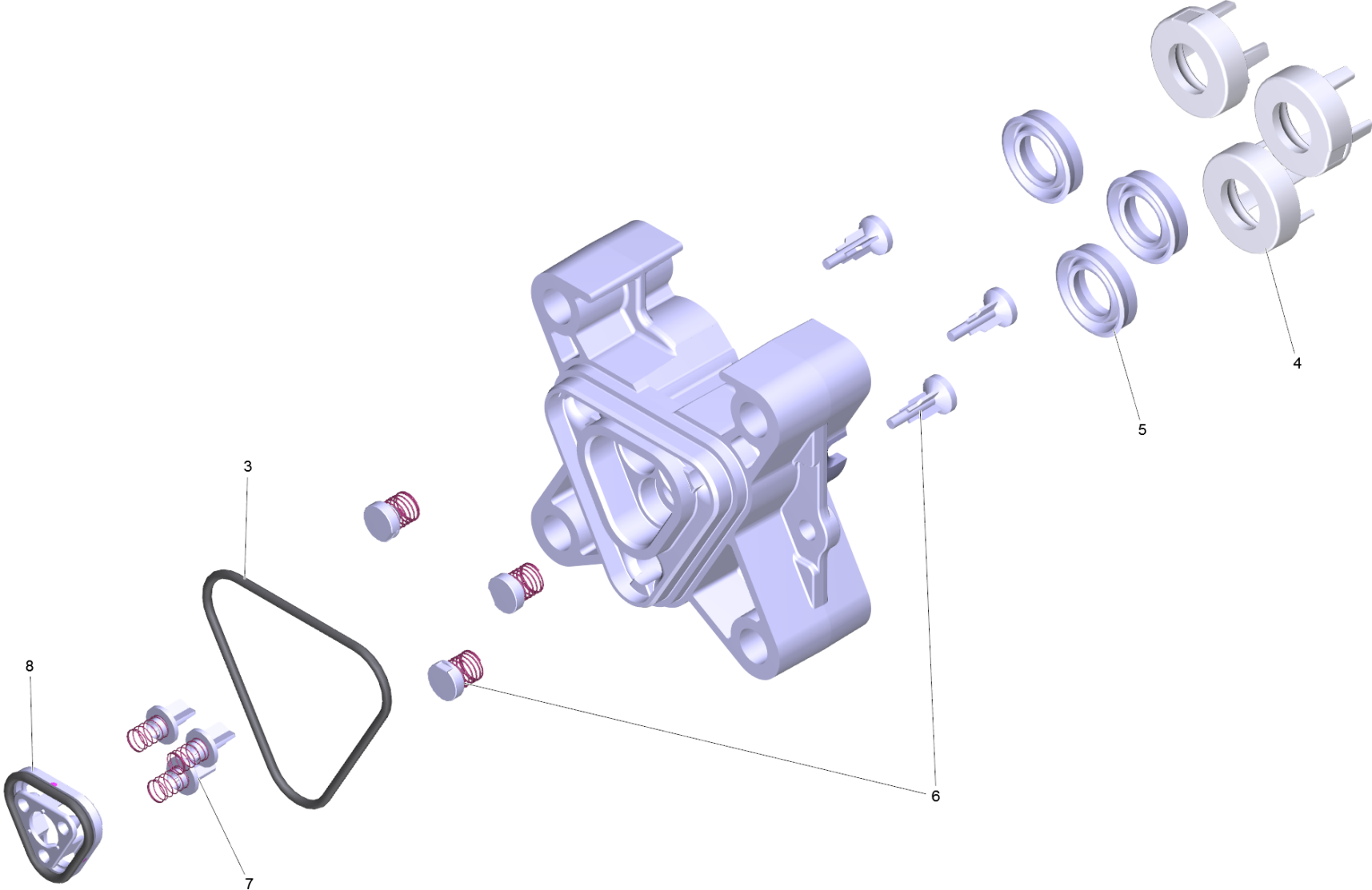
13 Spare part set control head (9.001-800.0)

POS	Article no.	Description	Quantity	Unit
20	9.081-424.0	Form seal	1.000	ST
40	9.001-291.0	Control piston set replacement	1.000	ST
60	9.037-142.0	Distance holder	1.000	ST
70	4.769-035.0	Nozzle insert	1.000	ST
80	9.002-164.0	plastic by pass (spare)	1.000	ST



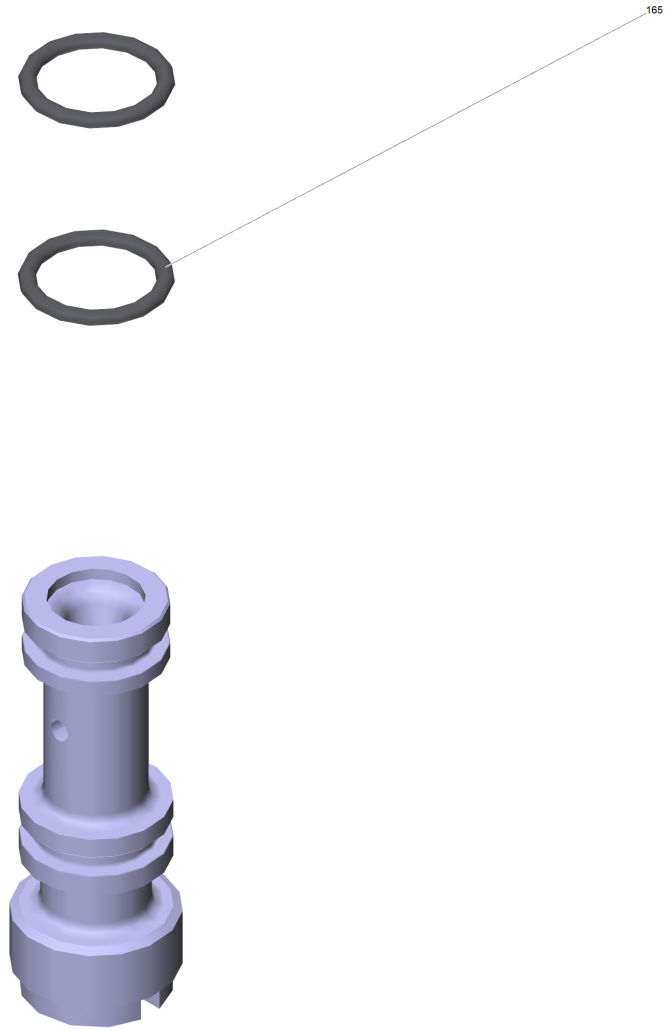
70 Nozzle insert (4.769-035.0)

POS	Article no.	Description	Quantity	Unit
165	6.362-384.0	O-Ring seal 9x1,5 - NBR 70	2.000	ST



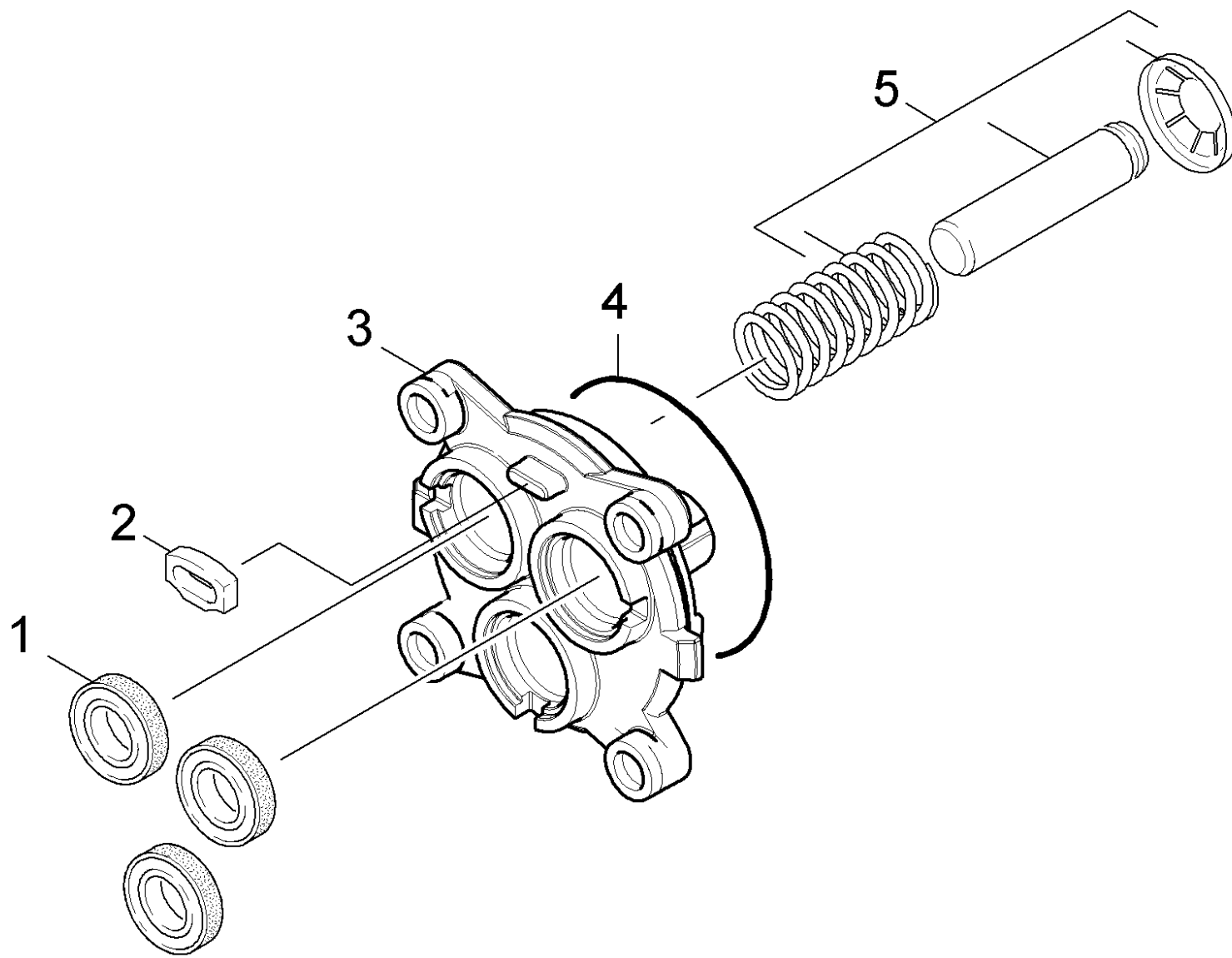
15 Pump head Alu (9001-2740) new oil seal (9.002-188.0)

POS	Article no.	Description	Quantity	Unit
3	9.081-424.0	Form seal	1.000	ST
4	9.038-428.0	Supportring 6,7 mm	3.000	ST
5	6.362-875.0	Grooved ring	3.000	ST
6	9.001-110.0	Moulded part complete	1.000	ST
7	9.001-275.0	Valve set	1.000	ST
8	9.001-276.0	Joining piece	1.000	ST



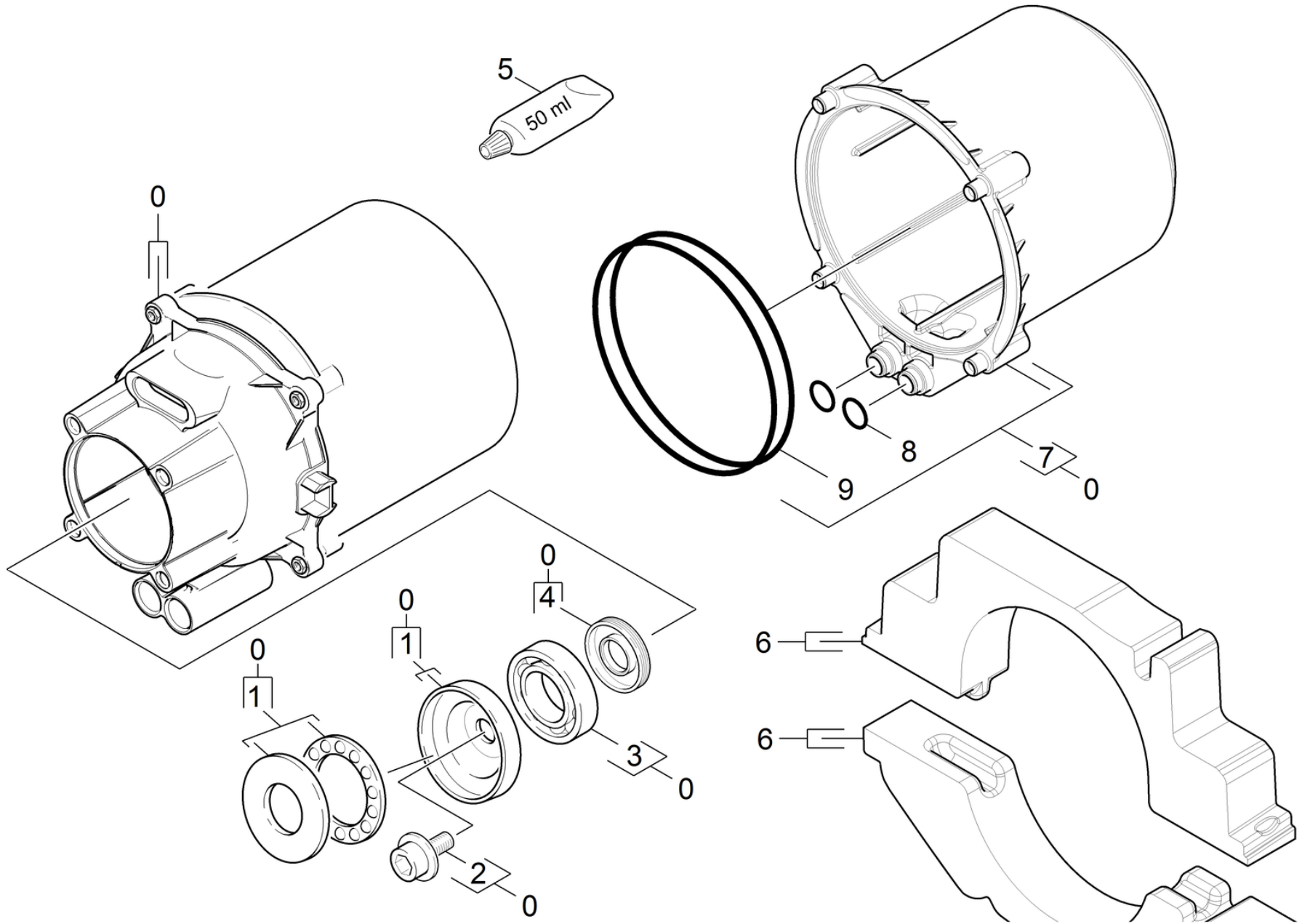
23 Nozzle insert (4.769-035.0)

POS	Article no.	Description	Quantity	Unit
165	6.362-384.0	O-Ring seal 9x1,5 - NBR 70	2.000	ST



22 Thrust guidance

POS	Article no.	Description	Quantity	Unit
1	6.964-026.0	Grooved ring	3.000	ST
2	9.048-071.0	Spacer - Seal	1.000	ST
3	9.042-085.0	Thrust guidance Alu	1.000	ST
4	9.080-426.0	O-Ring seal 62x3 NBR 70Shore	1.000	ST
5	9.001-927.0	Piston complete	3.000	ST

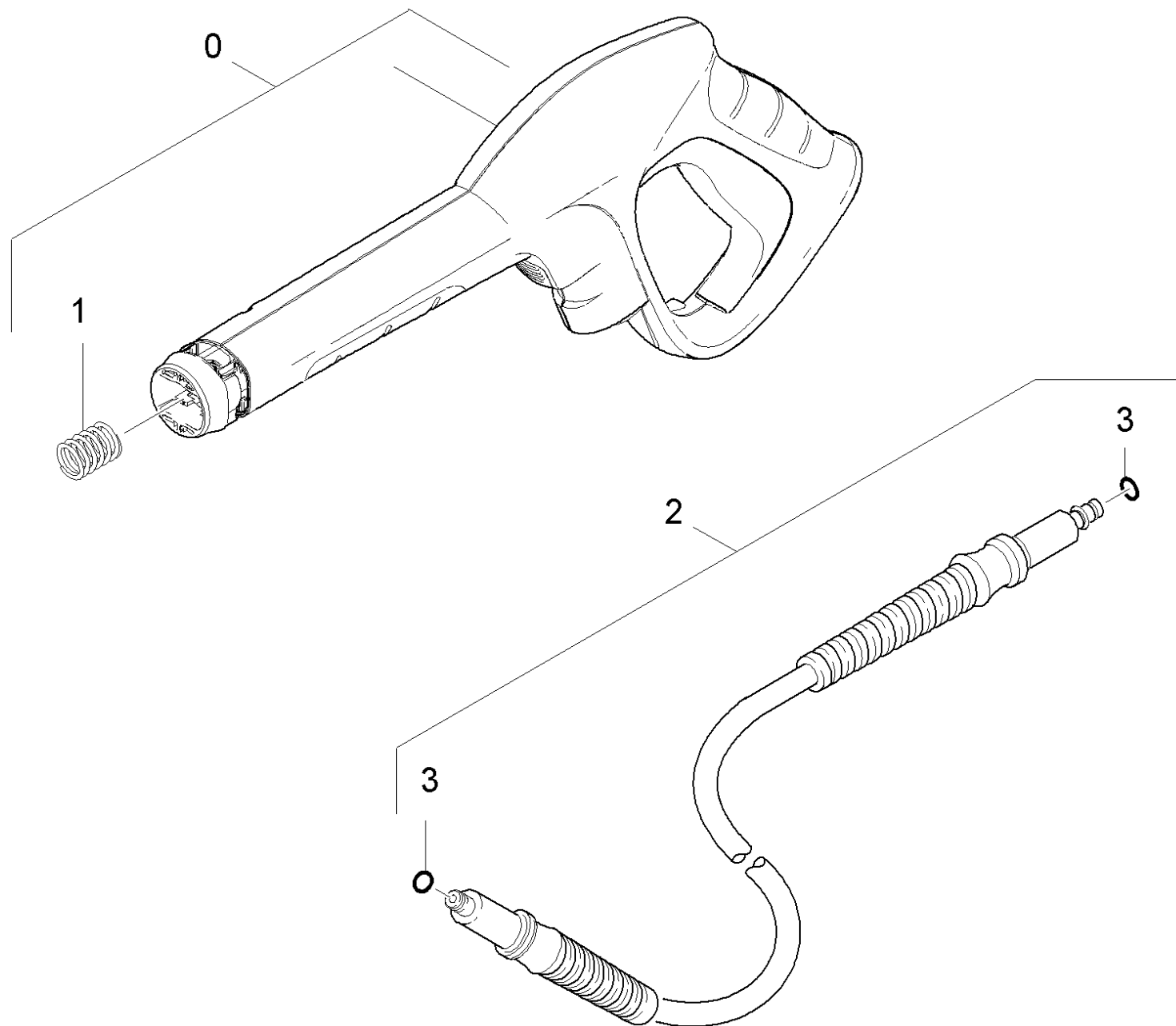


30 Motor

POS	Article no.	Description	Quantity	Unit
0	9.001-814.0	Motor complete	1.000	ST
1	9.001-880.0	Wobble plate complete 11°45'	1.000	ST
2	9.086-205.0	Screw	1.000	ST
3	7.401-010.0	Ball bearing 6303 -St DIN 625	1.000	ST
4	9.078-007.0	Rotary shaft seal 17x35x5	1.000	ST
5	6.964-092.0	Viscous oil 50ml	1.000	ST
6	9.001-799.0	Web PS	1.000	ST
7	9.001-918.0	Covering cap motor complete	1.000	ST
8	9.080-455.0	Seal 10x2,8	2.000	ST
9	9.080-453.0	O-Ring seal 95x6	2.000	ST

40 Accessories

POS	Description	Quantity	Unit	Remark
41	Hand trigger gun	1.000	ST	
42	Jet pipe	1.000	ST	
43	Surface cleaner	1.000	ST	T 200
44	Surface cleaner	1.000	ST	T 250



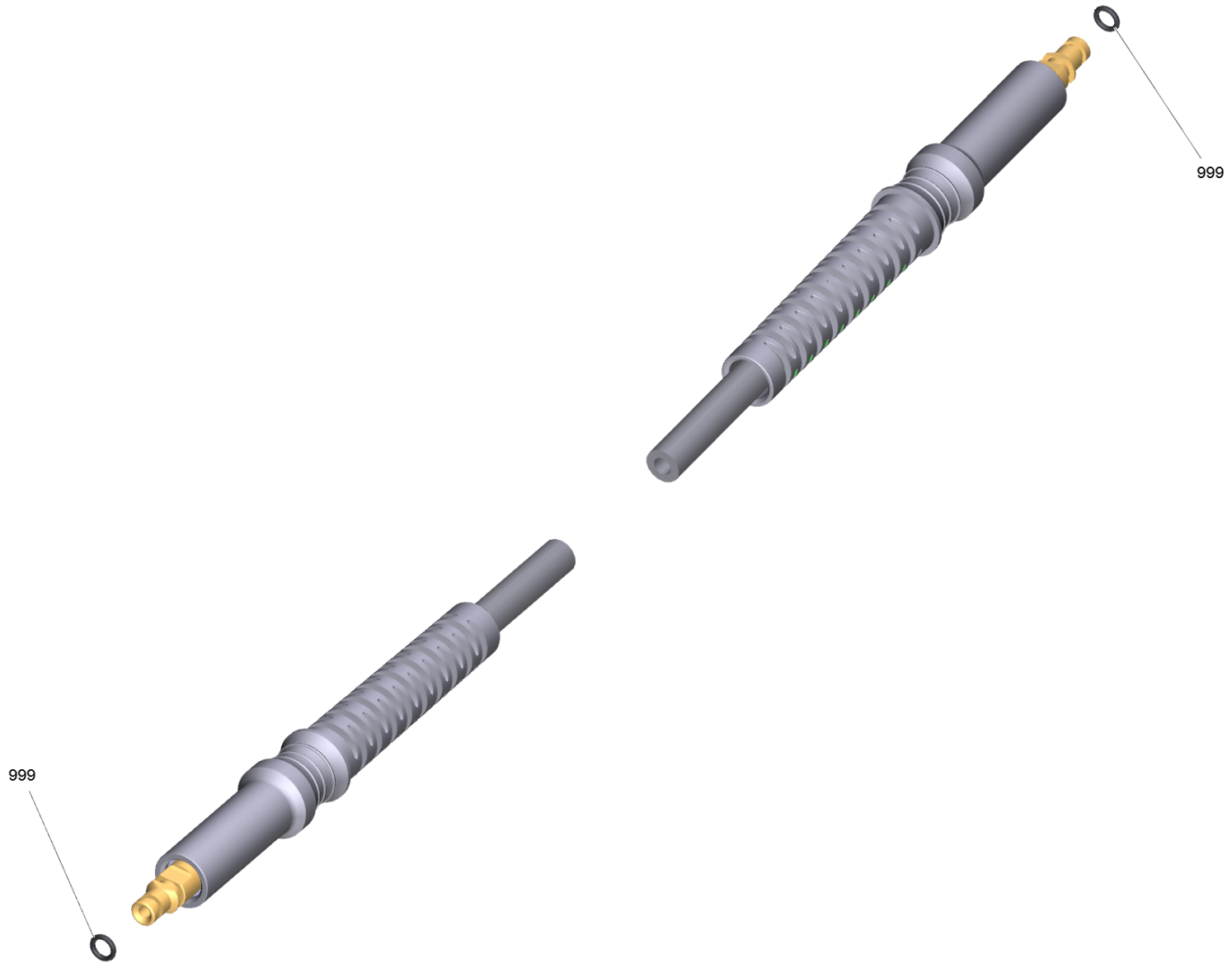
41 Hand trigger gun

POS	Article no.	Description	Quantity	Unit
0	2.642-172.0	G 160 Q pistol Quick Connect	1.000	ST
1	5.332-464.0	Pressure spring	1.000	ST
2	2.641-721.0	H 9 Q high pressure hose Quick Connect	1.000	ST
3	6.363-410.0	O-Ring seal 5,7x1,78 NBR 90Shore	2.000	ST



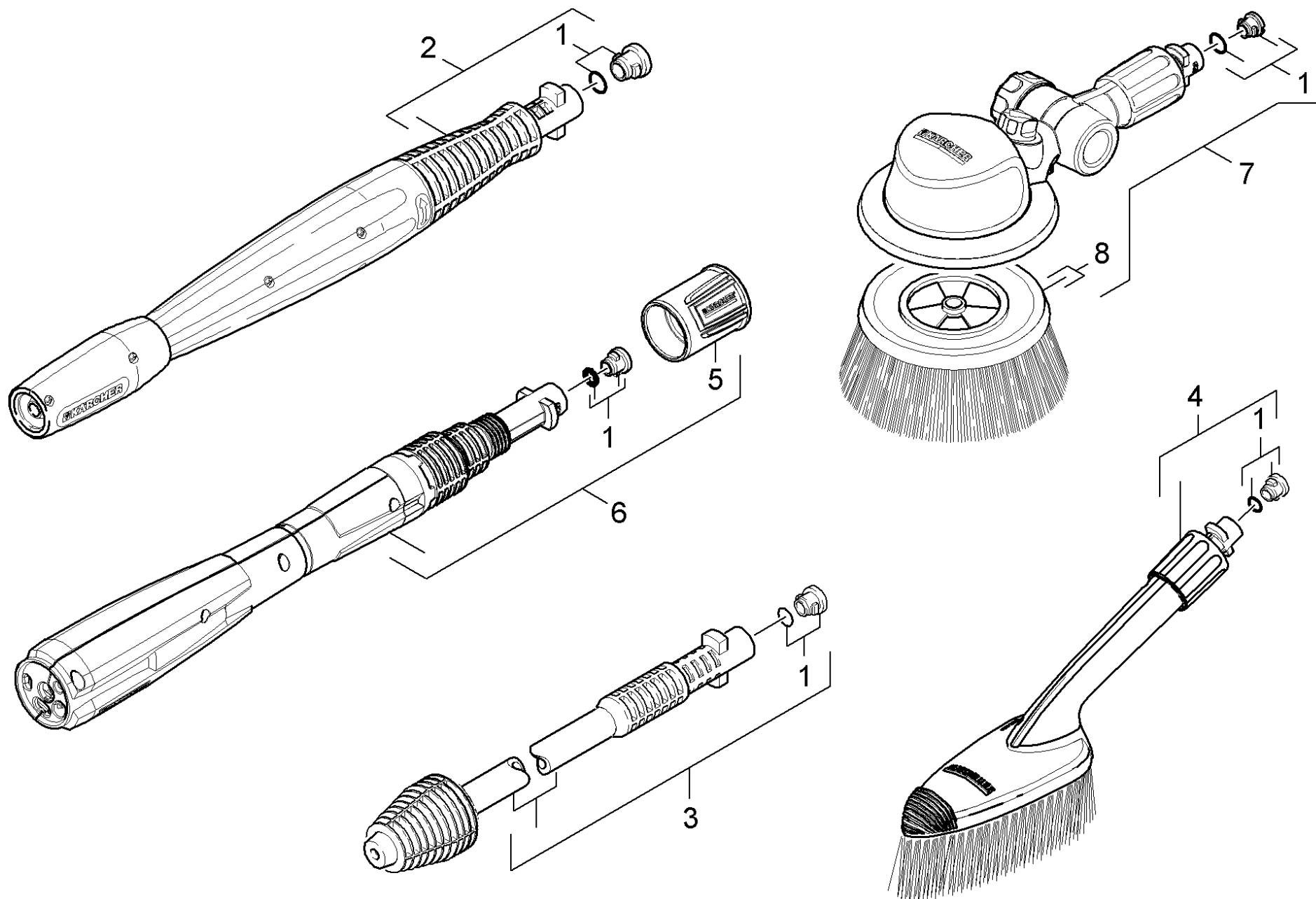
G 160 Q pistol Quick Connect (2.642-172.0)

POS	Article no.	Description	Quantity	Unit
1	5.332-464.0	Pressure spring	1.000	ST



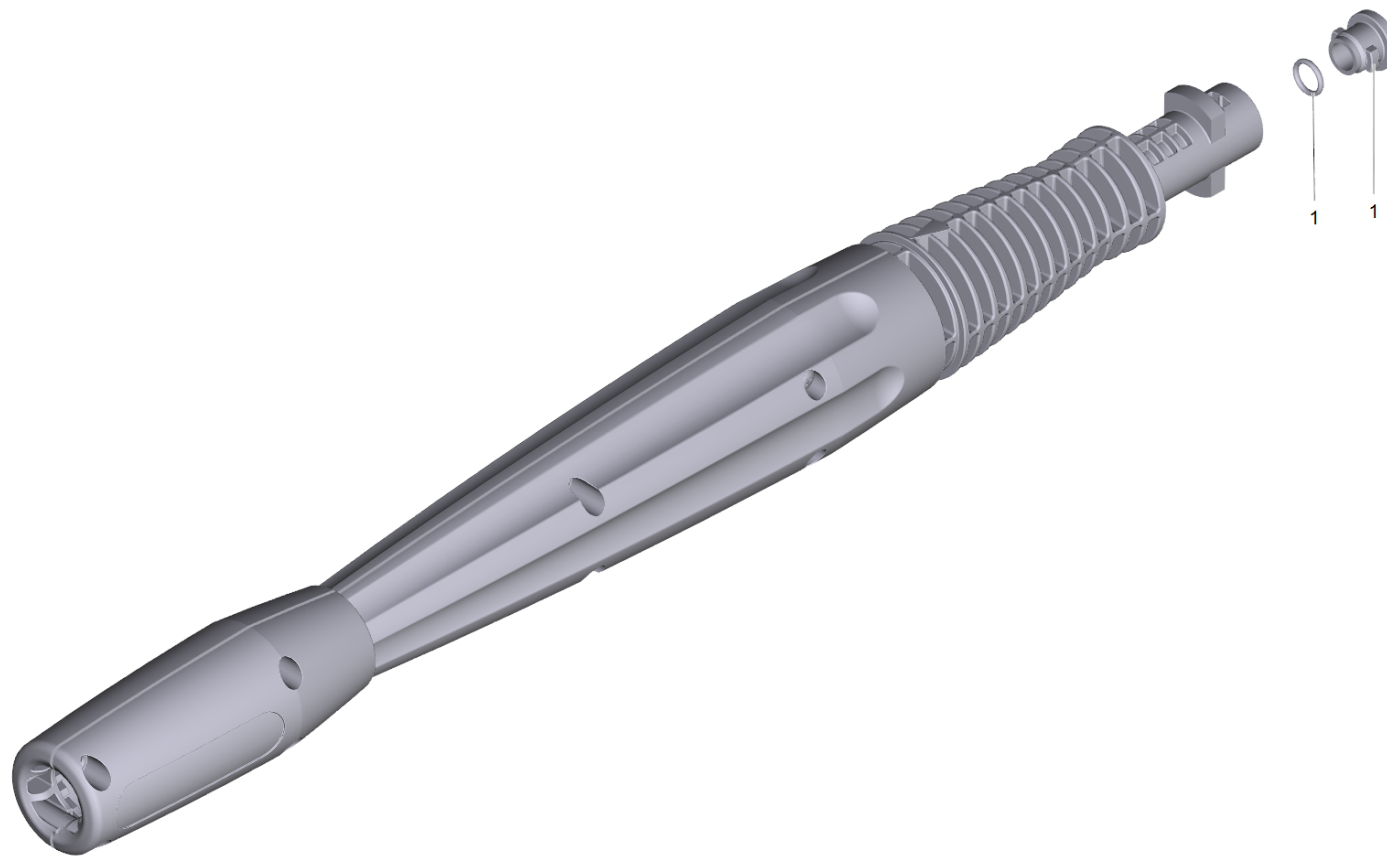
2 H 9 Q high pressure hose Quick Connect (2.641-721.0)

POS	Article no.	Description	Quantity	Unit
999	2.640-729.0	O-Ring seal set	1.000	ST



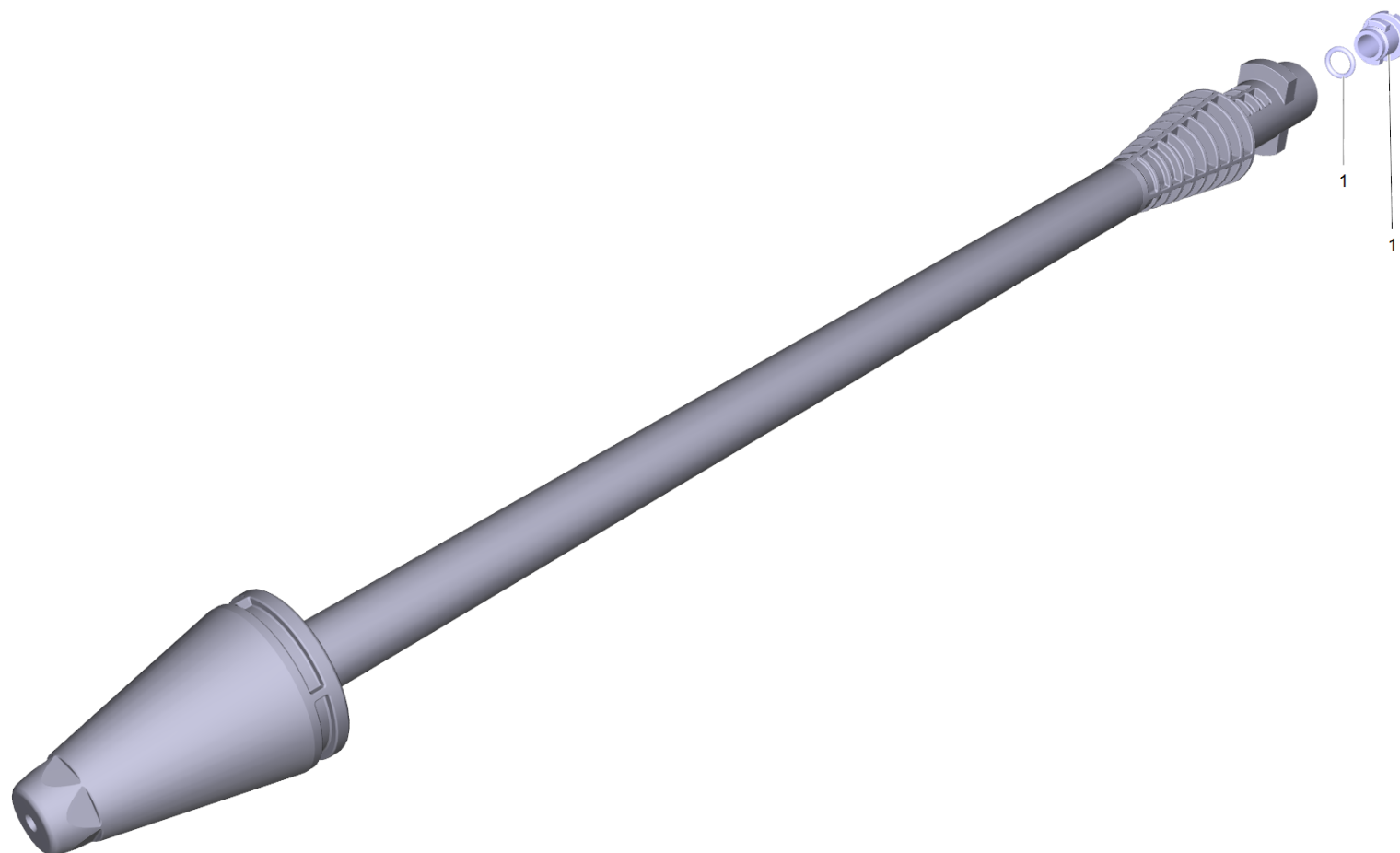
42 Jet pipe

POS	Article no.	Description	Quantity	Unit
1	2.640-729.0	O-Ring seal set	1.000	ST
2	4.760-527.0	VPS K5 0287	1.000	ST
3	4.764-281.0	Dirt blaster 031 St - CEM 14,5MPa	1.000	ST
4	2.640-589.0	Brush lengthwise	1.000	ST
5	5.310-160.0	Nut Kaercher	1.000	ST
6	4.764-233.0	Multi-Power-Jet 028	1.000	ST
7	2.643-236.0	WB 100 washing brush	1.000	ST
8	5.762-331.0	Carrier brushes	1.000	ST



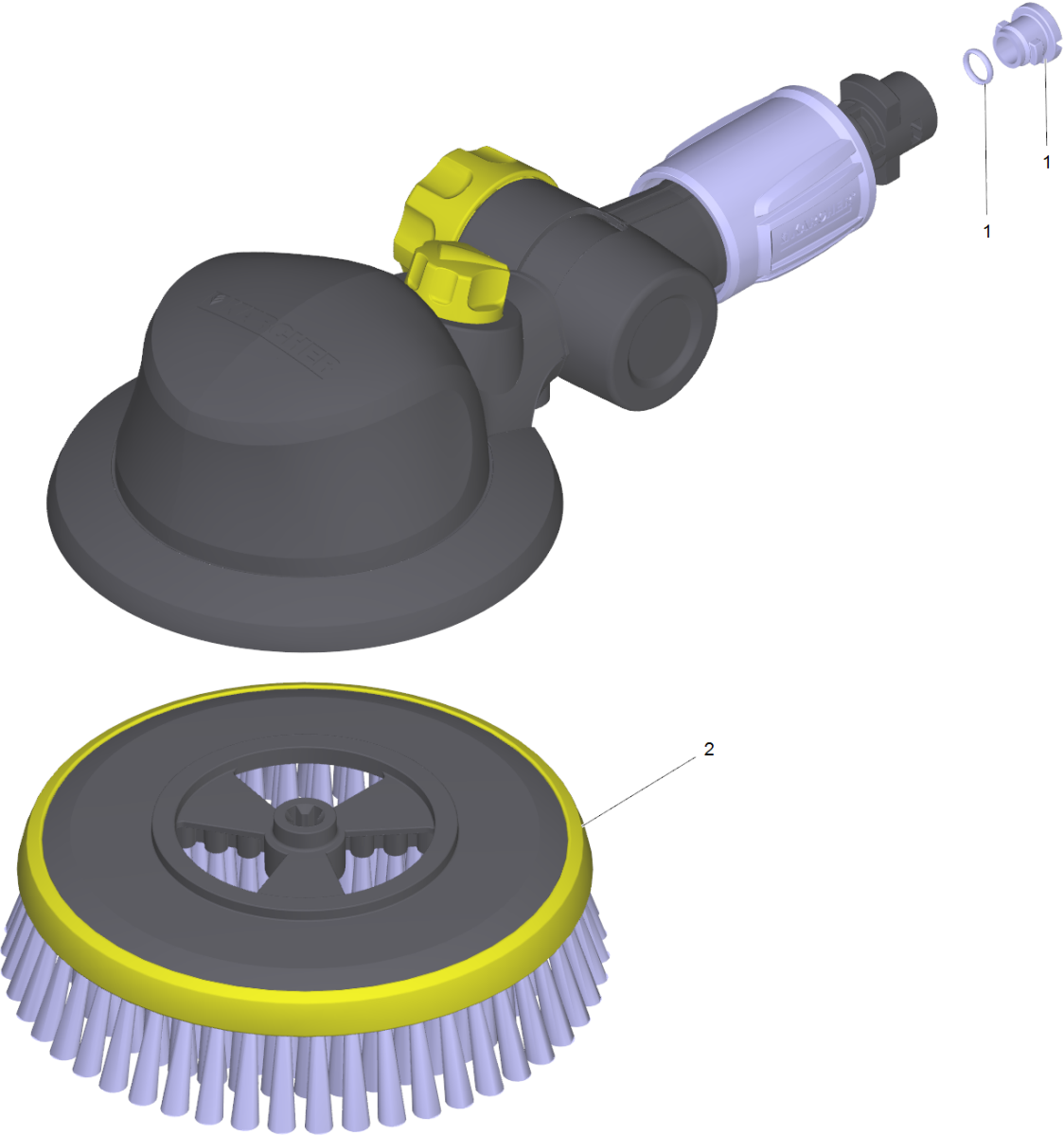
2 VPS K5 0287 (4.760-527.0)

POS	Article no.	Description	Quantity	Unit
1	2.640-729.0	O-Ring seal set	1.000	ST



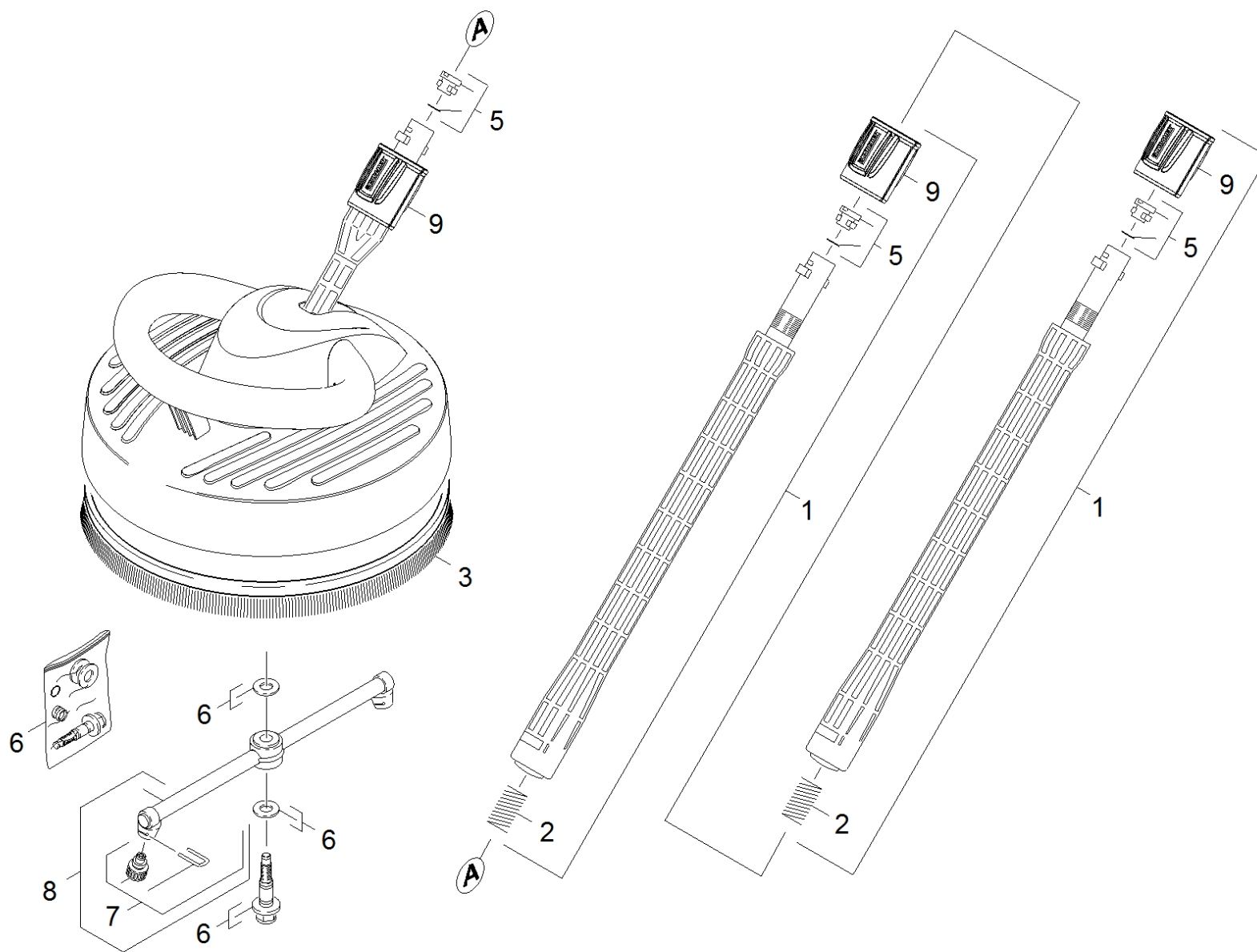
3 Dirt blaster 031 St - CEM 14,5MPa (4.764-281.0)

POS	Article no.	Description	Quantity	Unit
1	2.640-729.0	O-Ring seal set	1.000	ST



7 WB 100 washing brush (2.643-236.0)

POS	Article no.	Description	Quantity	Unit
1	2.640-729.0	O-Ring seal set	1.000	ST
2	5.762-331.0	Carrier brushes	1.000	ST



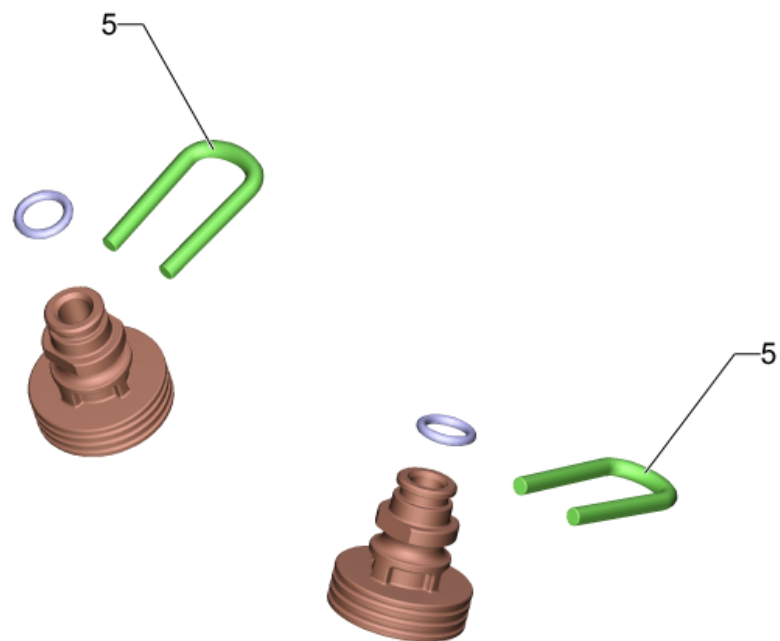
43 Surface cleaner




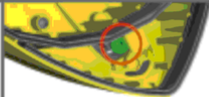




POS	Article no.	Description	Quantity	Unit	Foot note text
1	2.643-240.0	Single-step jet pipe extension	2.000	ST	
2	5.332-464.0	Pressure spring	2.000	ST	
3	6.371-086.0	Strip brush	1.000	ST	
5	2.640-729.0	O-Ring seal set	3.000	ST	
6	2.883-994.0	Spare part set set of gaskets neutrally	1.000	ST	
7	2.641-556.0	Spare part set nozzles 027	1.000	ST	BLACK
7	2.643-338.0	Spare parts nozzles T-Racer	1.000	ST	GREY
8	2.885-003.0	Spare part set rotor neutrally	1.000	ST	
9	5.310-160.0	Nut Kaercher	3.000	ST	









1 Single-step jet pipe extension (2.643-240.0)

POS	Article no.	Description	Quantity	Unit
3	2.640-729.0	O-Ring seal set	1.000	ST
8	5.332-464.0	Pressure spring	1.000	ST
10	5.310-160.0	Nut Kaercher	1.000	ST



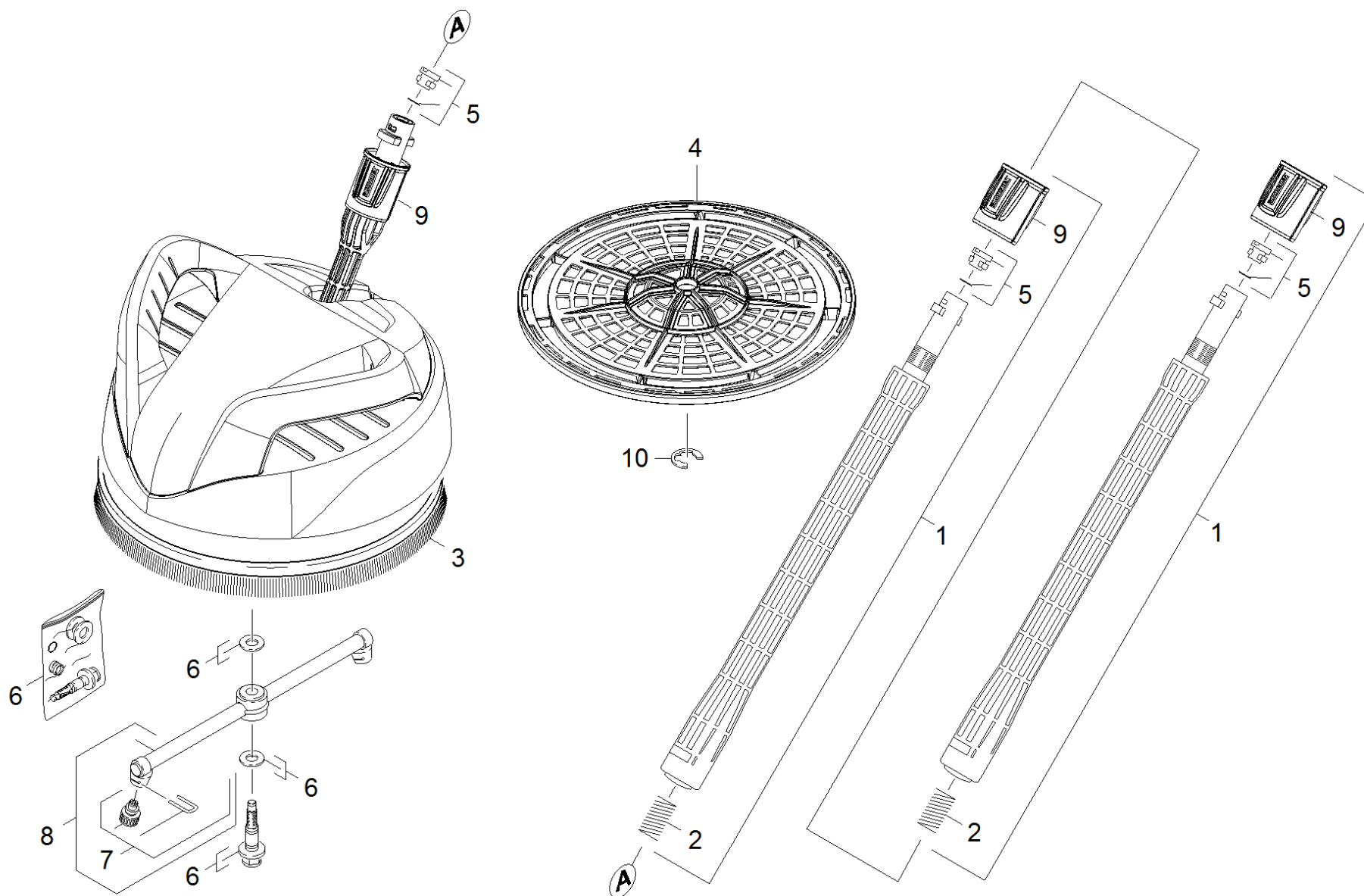
T 50, T 70, T 80, T 100 T 150, T 200, T 250, T 300, T 400, T 450, T 550	K 2 - K 5		
	K 6 - K 7		
T 400, T 450 T 550			
T 200, T 250	K 6 - K 7		
T 350 Gas			

	K 3 - K 5	
	K 6 - K 7	

	K 2	
	K 3 - K 5	

7 Spare parts nozzles T-Racer (2.643-338.0)

POS	Article no.	Description	Quantity	Unit	Remark	Foot note text
1	4.764-155.0	Nozzle complete 15015	1.000	ST	<13 MPa (<130 bar)	GREY
		Item text1: 015				
2	4.764-156.0	Nozzle complete 15020	1.000	ST	13 MPa (130 bar) - 16 MPa (160 bar)	YELLOW
		Item text1: 020				
3		Nozzle complete 15027	1.000	ST		BLACK
		Item text1: 027				
4	4.764-190.0	Nozzle kpl. 75047	1.000	ST		GREEN
		Item text1: 047				
5	5.037-151.0	Clamp	2.000	ST		



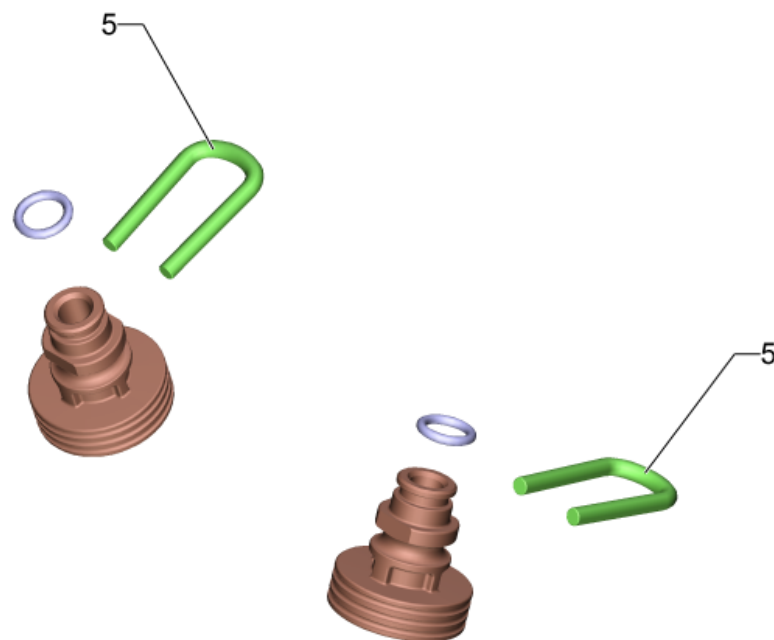
44 Surface cleaner




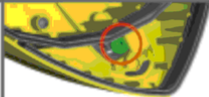




POS	Article no.	Description	Quantity	Unit
1	2.643-240.0	Single-step jet pipe extension	2.000	ST
2	5.332-464.0	Pressure spring	2.000	ST
3	6.371-086.0	Strip brush	1.000	ST
4	5.394-865.0	Grate T 250 Plus	1.000	ST
5	2.640-729.0	O-Ring seal set	3.000	ST
6	2.883-963.0	Set of gaskets T-RACER	1.000	ST
7	2.643-338.0	Spare parts nozzles T-Racer	1.000	ST
8	2.885-182.0	Spare part set rotor T 250 plus	1.000	ST
9	5.310-160.0	Nut Kaercher	3.000	ST
10	7.343-206.0	Lock washer 12-2.1030 DIN 6799	1.000	ST









1 Single-step jet pipe extension (2.643-240.0)

POS	Article no.	Description	Quantity	Unit
3	2.640-729.0	O-Ring seal set	1.000	ST
8	5.332-464.0	Pressure spring	1.000	ST
10	5.310-160.0	Nut Kaercher	1.000	ST



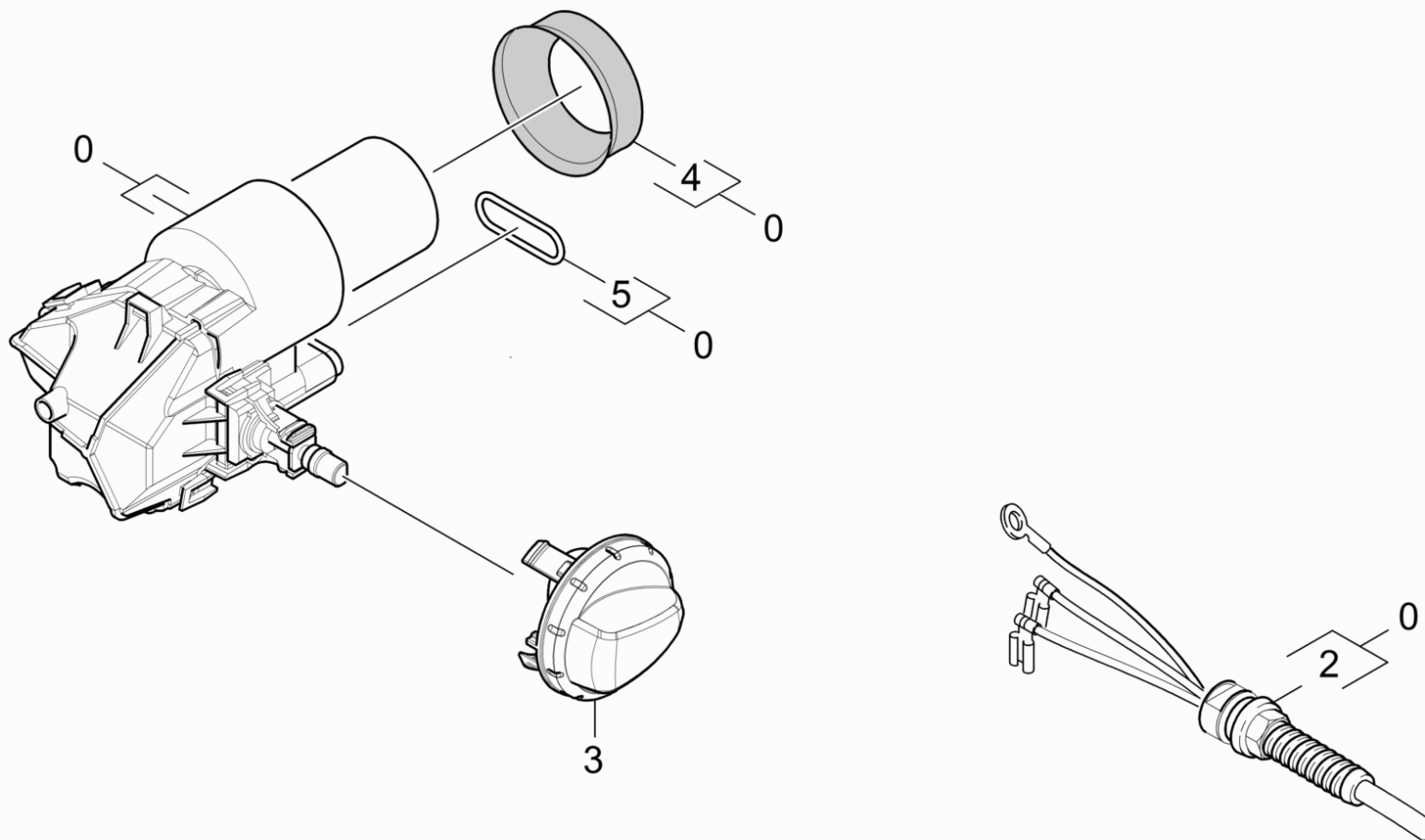
T 50, T 70, T 80, T 100 T 150, T 200, T 250, T 300, T 400, T 450, T 550	K 2 - K 5		
	K 6 - K 7		
T 400, T 450 T 550			
T 200, T 250	K 6 - K 7		
T 350 Gas			

	K 3 - K 5	
	K 6 - K 7	

	K 2	
	K 3 - K 5	

7 Spare parts nozzles T-Racer (2.643-338.0)

POS	Article no.	Description	Quantity	Unit	Remark	Foot note text
1	4.764-155.0	Nozzle complete 15015	1.000	ST	<13 MPa (<130 bar)	GREY
		Item text1: 015				
2	4.764-156.0	Nozzle complete 15020	1.000	ST	13 MPa (130 bar) - 16 MPa (160 bar)	YELLOW
		Item text1: 020				
3		Nozzle complete 15027	1.000	ST		BLACK
		Item text1: 027				
4	4.764-190.0	Nozzle kpl. 75047	1.000	ST		GREEN
		Item text1: 047				
5	5.037-151.0	Clamp	2.000	ST		



50 Electric box

POS	Article no.	Description	Quantity	Unit
0	9.002-051.0	E-box K5 GB Modular spare	1.000	ST
	Item text1: 1.181-202.0 /-212.0			
0	9.002-050.0	E-box EU K5 Modular spare	1.000	ST
	Item text1: 1.181-200.0 /-201.0 /-203.0 /-209.0			
	Item text2: /-213.0 /-214.0 /-217.0			
0	9.001-770.0	Electric box spare part	1.000	ST
	Item text1: 1.181-204.0 /-205.0			
2	9.084-290.0	Cable with plug 3G1 *CH	1.000	ST
	Item text1: 1.181-204.0 /-205.0			
2	9.084-144.0	Cable with plug	1.000	ST
	Item text1: 1.181-202.0 /-212.0			
2	9.084-139.0	Cable with plug *EU	1.000	ST
	Item text1: 1.181-200.0 /-201.0 /-203.0 /-209.0			
	Item text2: /-213.0 /-214.0 /-217.0			
3	9.037-693.0	Handhold switch	1.000	ST
4	9.080-465.0	Joint ring capacitor d.45, 70 Shore	1.000	ST
5	9.081-417.0	O-Ring d.20 x 2	1.000	ST