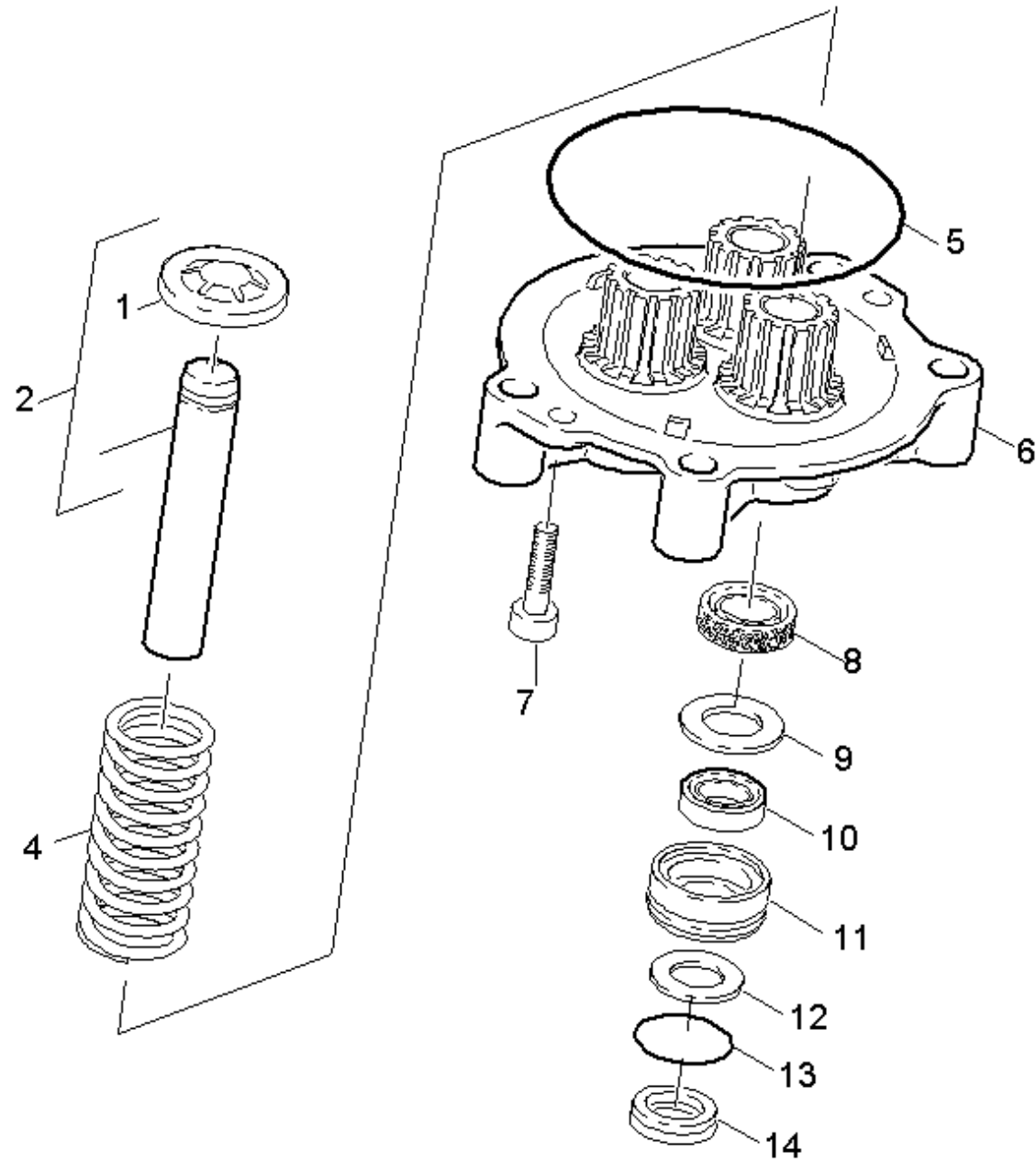


## 21 Piston

Professional \ High pressure cleaner hotwater \ Electric motor \ HDS 698 C \*EU \ Spare parts list HDS 698 C \ Pump set \ Piston



## 21 Piston

Professional \ High pressure cleaner hotwater \ Electric motor \ HDS 698 C \*EU \ Spare parts list HDS 698 C \ Pump set \ Piston

POS	Article no.	Description	Quantity	Unit	Remark
11	5.112-576.3	Bush	3	PC	
10	6.365-438.0	Compact seal	3	PC	
14	6.365-432.0	Grooved ring 14x22x5.3	3	PC	
8	6.365-340.0	Grooved ring 14X22X5/7	3	PC	
1	5.030-625.0	Moulded part	3	PC	VERSION 1
13	6.362-376.0	O-Ring seal 24,0 X 1,5	3	PC	
5	6.362-768.0	O-Ring seal 88.0X 2.2	1	PC	
2	4.553-304.0	Piston complete only for replacement	3	PC	
	<b>Item text1:</b> / 1.173-101.0 / -102.0 / -112.0				
	<b>Item text2:</b> / -113.0				
2	4.553-305.0	Piston complete only for replacement	3	PC	
	<b>Item text1:</b> / 1.173-110.0 / -116.0				
7	7.303-047.0	Screw M6x16 -St-R3R (In6Rd)	2	PC	
4	5.332-427.0	Spring	3	PC	
6	5.060-677.0	Thrust guidance	1	PC	
9	5.115-744.0	Washer	3	PC	
12	5.115-465.0	Washer	3	PC	
1	5.116-210.0	Washer D14	3	PC	VERSION 2