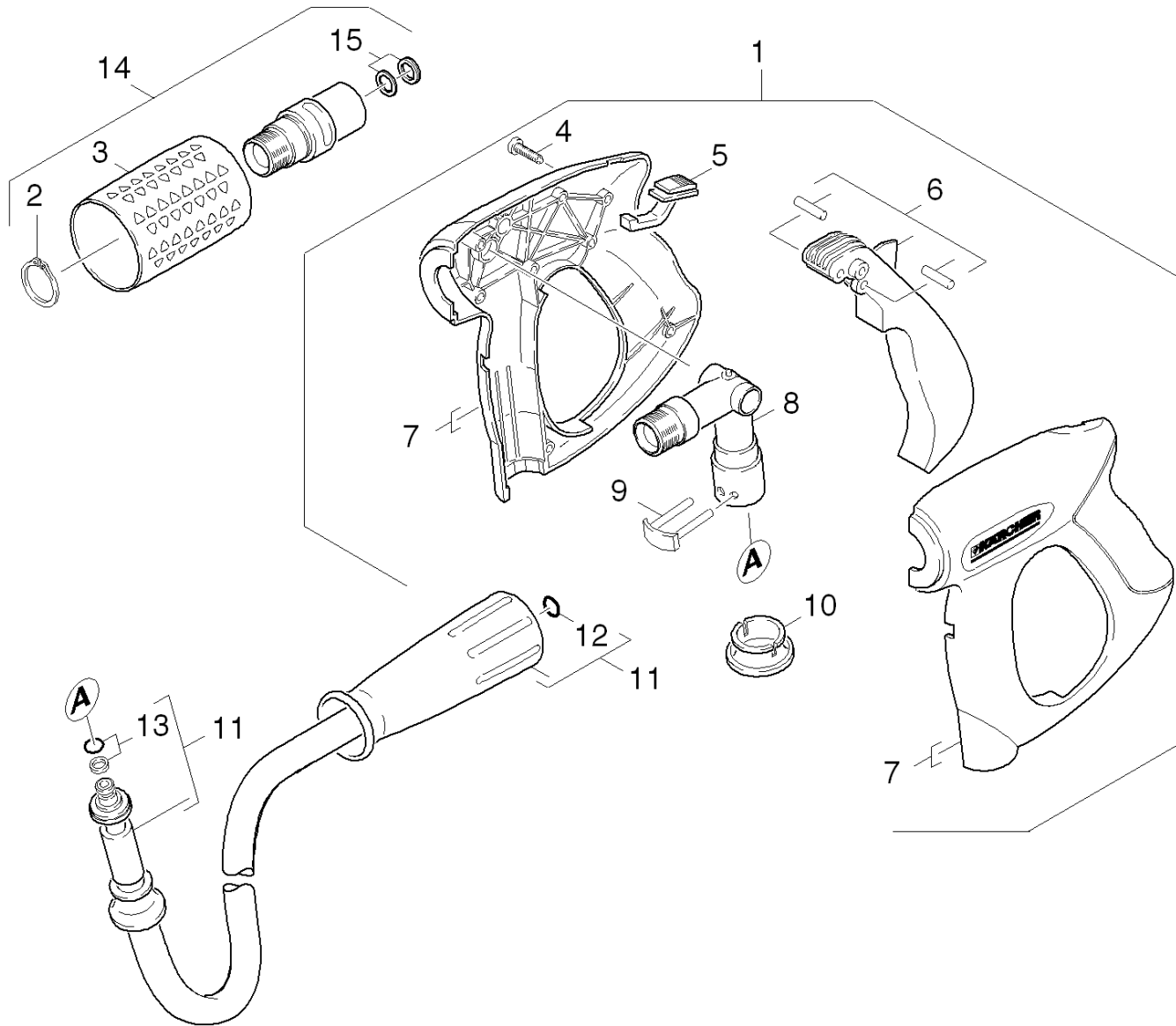


101 Hand trigger gun

Overview technical documents/Professional/High pressure cleaner hotwater/Electric motor/HDS 1195 S ECO*EU-II (1.028-338.0)/Spare parts list HDS 1195 S ECO/100 Accessories/101 Hand trigger gun



101 Hand trigger gun

Overview technical documents/Professional/High pressure cleaner hotwater/Electric motor/HDS 1195 S ECO*EU-II (1.028-338.0)/Spare parts list HDS 1195 S ECO/100 Accessories/101 Hand trigger gun

| Rez.daļas/nodil.pakļ.daļas | Poz. | Materiāla Nr. | Nosaukums | Daudzums | Pārdoš. vienība | no sēr. Nr.. | līdz sēr. Nr. |
|--|------|---------------|--|----------|-----------------|--------------|---------------|
| X-X | 1 | 4.775-463.0 | Hand Trigger Gun | 1.000 | ST | 0000000000 | 0000000000 |
| | 2 | 7.343-069.0 | Locking ring | 1.000 | ST | 0000000000 | 0000000000 |
| | 3 | 5.321-668.0 | Handle | 1.000 | ST | 0000000000 | 0000000000 |
| | 4 | 7.303-096.0 | Skrūve 4x22 -ST-10.9-R2R (IN6RD) | 7.000 | ST | 0000000000 | 0000000000 |
| | 5 | 5.481-331.0 | Slīdnis | 1.000 | ST | 0000000000 | 0000000000 |
| | 6 | 4.481-209.0 | level complete | 1.000 | ST | 0000000000 | 0000000000 |
| | 7 | 5.321-669.0 | Tureklis | 1.000 | ST | 0000000000 | 0000000000 |
| X | 8 | 4.427-215.0 | Spare part | 1.000 | ST | 0000000000 | 0000000000 |
| X | 9 | 4.037-013.0 | Spare part | 1.000 | ST | 0000000000 | 0000000000 |
| | 10 | 5.110-596.0 | Uzmava | 1.000 | ST | 0000000000 | 0000000000 |
| X-X | 11 | 6.390-025.0 | Augstspiediena šļūtene DN8 | 1.000 | ST | | |
| Pozīcijas teksts: 1.028-355.0 | | | | | | | |
| X-X | 11 | 6.390-208.0 | Augstspiediena šļūtene DN8 | 1.000 | ST | 0000000000 | 0000000000 |
| Pozīcijas teksts: / 1.028-353.0 / -354.0 | | | | | | | |
| X | 11 | 6.391-351.0 | augstsp. šļūtene Long Life 10m DN8 | 1.000 | ST | 0000000000 | 0000000000 |
| Pozīcijas teksts: / 1.028-337.0 / -343.0 / | | | | | | | |
| | 12 | 2.880-990.0 | spare part set o ring from 2.880-296.0 | 1.000 | ST | 0000000000 | 0000000000 |
| X-X | 13 | 4.363-691.0 | O-ring seal | 1.000 | ST | 0000000000 | 0000000000 |
| X-X | 14 | 4.775-471.0 | Rotary controller 700L | 1.000 | ST | 0000000000 | 0000000000 |
| X-X | 15 | 4.363-695.0 | Grooved ring | 1.000 | ST | | |