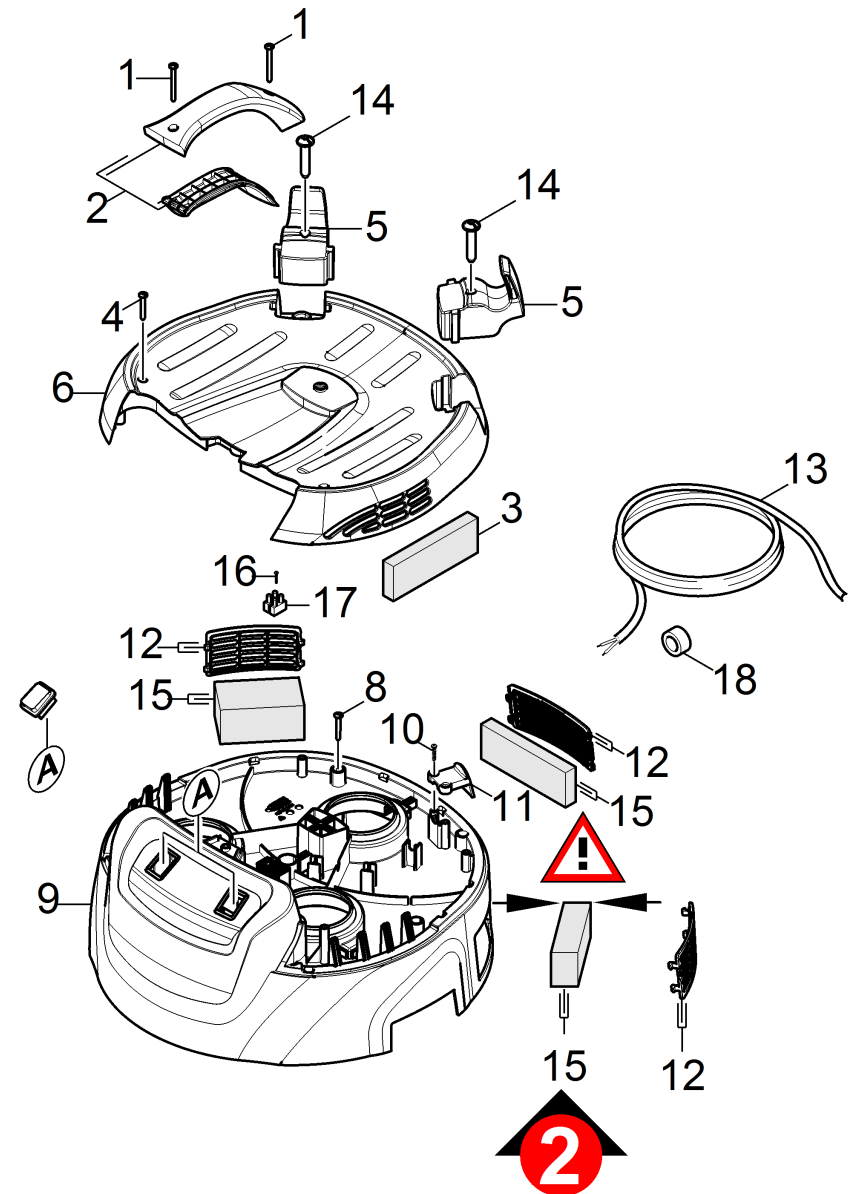
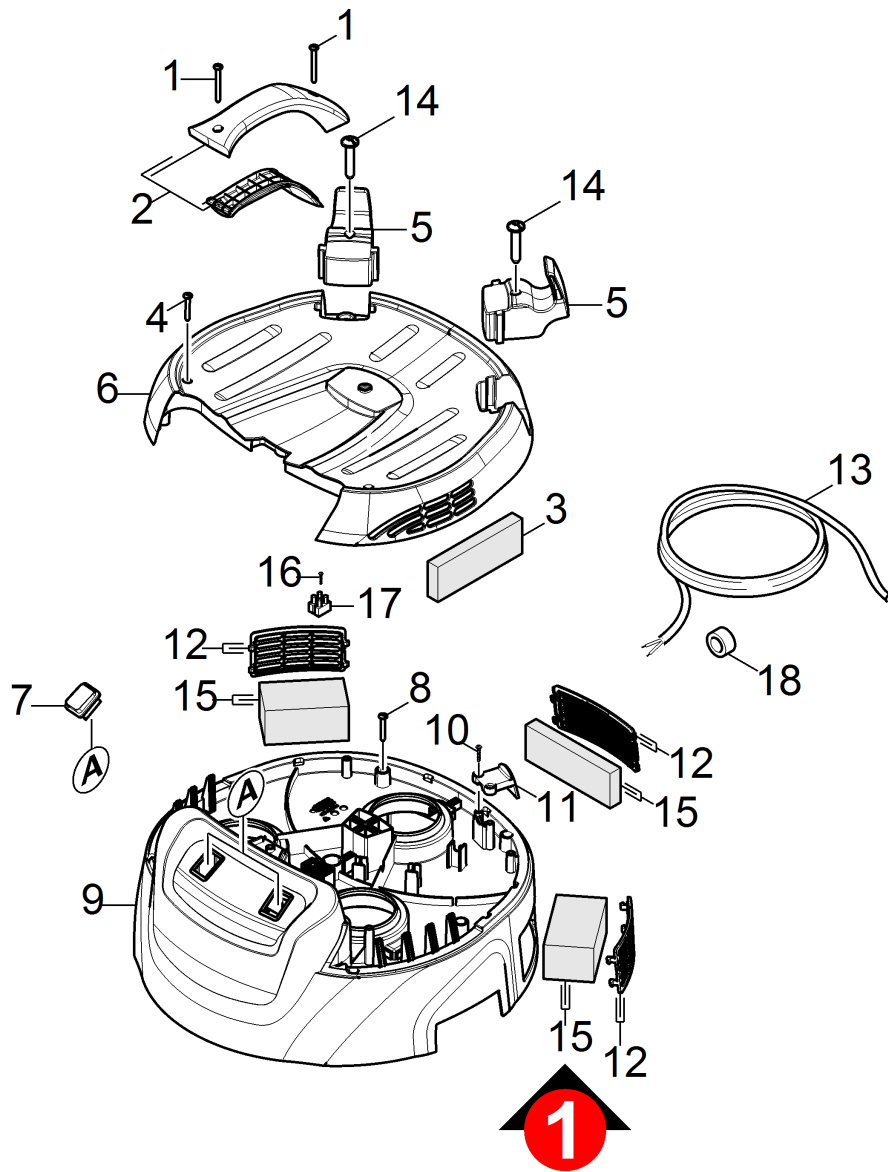


10 Cover

Professional \ Vacuum cleaner \ Wet-dry vacuum cleaner \ NT 70/2 Adv *EU \ Spare parts list NT 70/2 *EU \ Cover



10 Cover

Professional \ Vacuum cleaner \ Wet-/dry vacuum cleaner \ NT 70/2 Adv *EU \ Spare parts list NT 70/2 *EU \ Cover

KÄRCHER

POS	Article no.	Description	Quantity	Unit	Remark	Foot note text
15	4.071-313.0	Set foam	1	PC		VERSION 2
6	5.033-432.0	Covering cap	1	PC		
11	5.033-436.0	Strain relief	1	PC		
9	5.069-274.0	Cover NT 70/2	1	PC		
5	5.672-306.0	Catch for cable	2	PC		
16	6.303-245.0	Cylinder head screw 3X18-ST-A2E	1	PC		
2	6.321-225.0	Set handhold	1	PC		
15	6.414-911.0	Set foam	1	PC		VERSION 1
3	6.414-933.0	Set foam covering cap	1	PC		
12	6.554-030.0	Set grate	1	PC		
18	6.614-006.0	Ferrite ring	1	PC		
7	6.630-468.0	Switch on/off	2	PC		
17	6.643-121.0	Strip terminal two-pole	1	ZST		
13	6.647-069.0	Power cable 10m	1	PC	*EU	
10	7.303-084.0	Screw 4x25 -10.9-R2R (K-In6Rd)	2	PC		
8	7.303-086.0	Screw 5x30 -10.9-R2R (K-In6Rd)	7	PC		
14	7.303-109.0	Screw 5x25 -10.9-R2R (In6Rd)	2	PC		
4	7.303-110.0	Screw 5x35 -10.9-R2R (In6Rd)	1	PC		
1	7.303-111.0	Screw 5x50 -10.9-R2R (K-In6Rd)	2	PC		