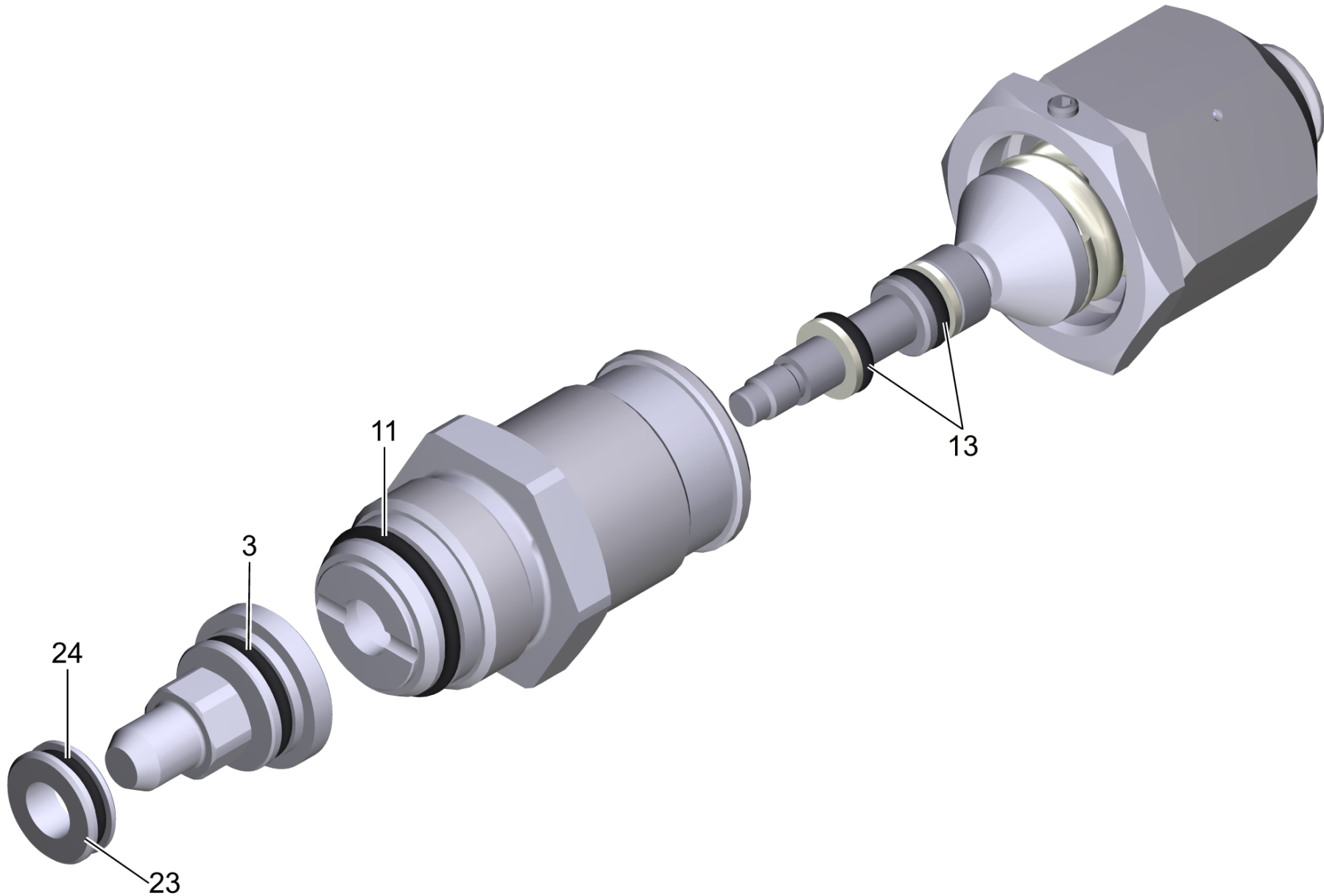


### 30 Excess-current with valve seat (6.101-265.0)

Professional \ High pressure cleaner hotwater \ Electric motor \ HDS 9/20-4 Classic \*KAP \ Cylinder head pressure switch station 25MPa \ Excess-current with valve seat



### 30 Excess-current with valve seat (6.101-265.0)

Professional \ High pressure cleaner hotwater \ Electric motor \ HDS 9/20-4 Classic \*KAP \ Cylinder head pressure switch station 25MPa \ Excess-current with valve seat

**KÄRCHER**

POS	Article no.	Description	Quantity	Unit
13	9.761-127.0	O-Ring seal 6,02x2,62	2	PC
24	9.761-099.0	O-Ring seal 12.42x1.78	1	PC
3	6.363-133.0	O-Ring seal 14,00x1,78 -PUR 94	1	PC
11	9.760-096.0	O-Ring seal 20 x 2 (9.081-417)	1	PC
23	9.761-055.0	Seat DN 8	1	PC