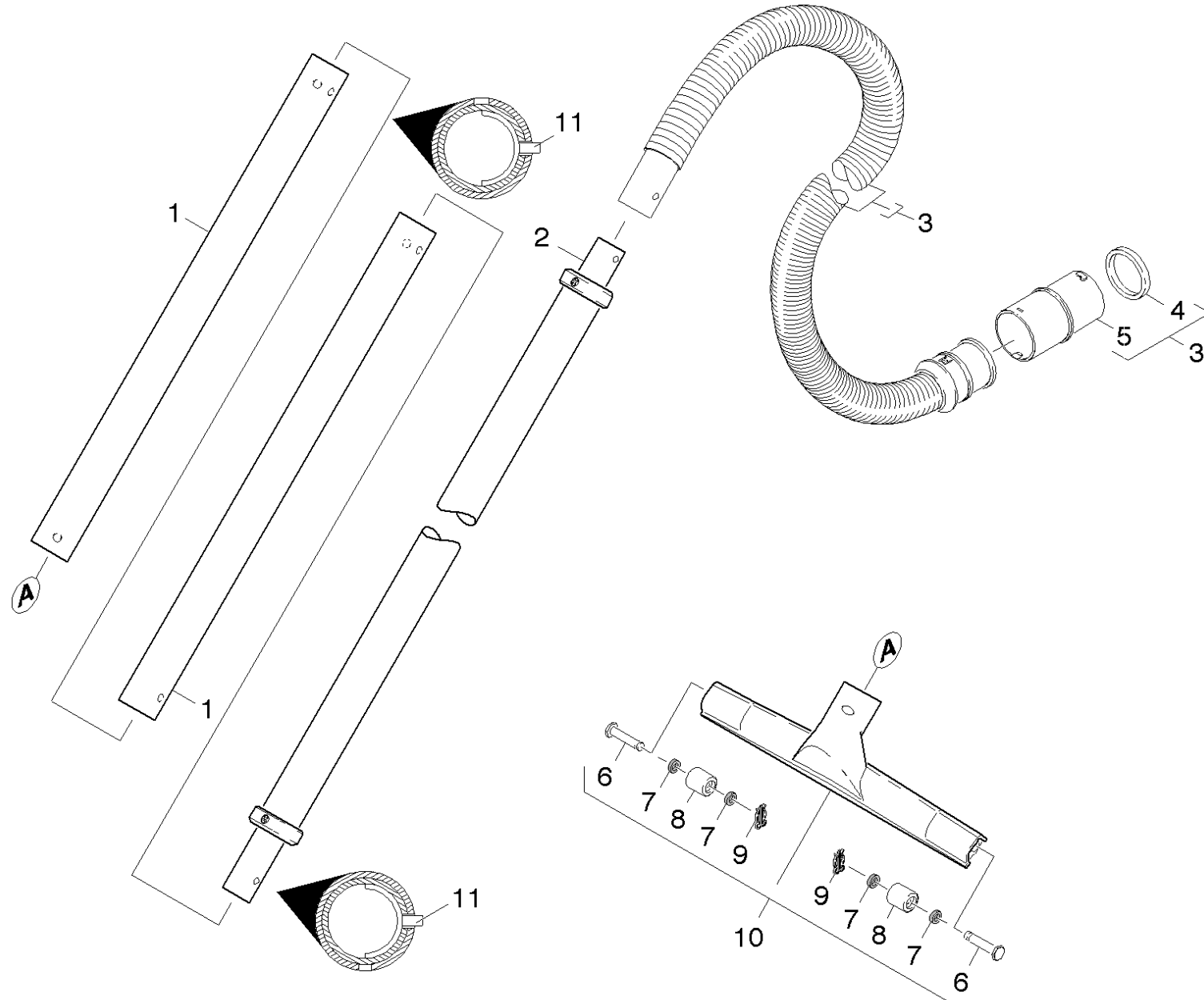


10 Oven set

Professional \ Vacuum cleaner \ Wet-/dry vacuum cleaner \ NT 40/1 Tact Bs *EU \ Oven set \ Oven set



10 Oven set

Professional \ Vacuum cleaner \ Wet-/dry vacuum cleaner \ NT 40/1 Tact Bs *EU \ Oven set \ Oven set

KÄRCHER

POS	Article no.	Description	Quantity	Unit
1	6.902-124.0	Suction tube DN35	2.000	ST
2	4.321-161.0	Suction tube complete	1.000	ST
3	4.440-731.0	Suction hose DN 35	1.000	ST
4	5.114-105.0	Ring	1.000	ST
5	5.470-014.0	Coupler	1.000	ST
6	5.317-105.0	Bolt	2.000	ST
7	6.276-043.0	Washer felt	4.000	ST
8	5.515-196.0	Roller	2.000	ST
9	6.330-222.0	Spring clip	2.000	ST
10	4.130-173.0	Bakery nozzle DN35	1.000	ST
11	6.903-239.0	Plate spring	2.000	ST