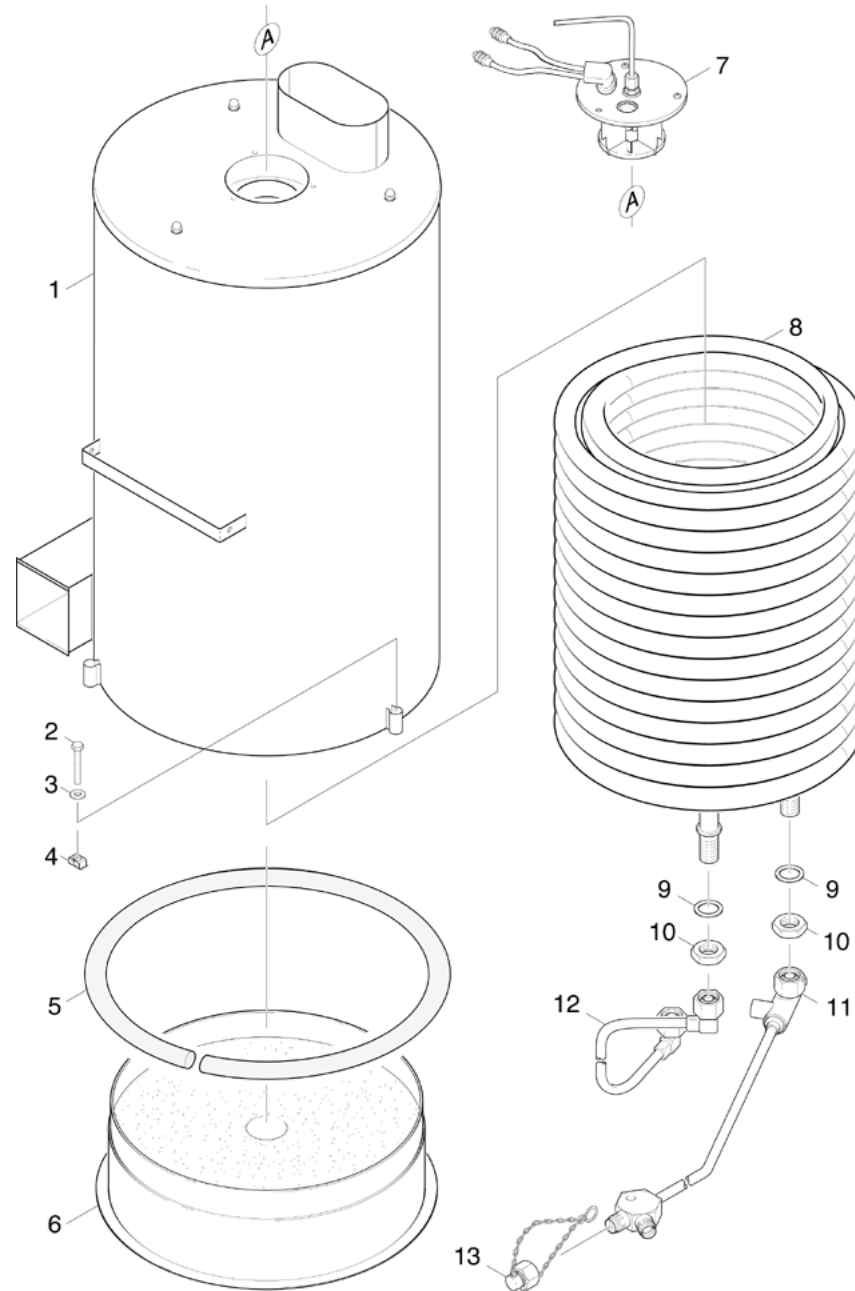


# 73 Heating coil

Professional \ High pressure cleaner hotwater \ Electric motor \ HDS 2000 SUPER \*EU \ Spare parts list HDS 2000 SUPER \ Flow heater \ Heating coil



## 73 Heating coil

Professional \ High pressure cleaner hotwater \ Electric motor \ HDS 2000 SUPER \*EU \ Spare parts list HDS 2000 SUPER \ Flow heater \ Heating coil



POS	Article no.	Description	Quantity	Unit	Remark	Foot note text
6	4.655-054.0	Bottom	1.000	ST		
7	4.654-220.0	Burner complete	1.000	ST		
4	6.310-081.0	Cage nut M 8	3.000	ST		
5	6.366-033.0	Cord D 10	1.000	M		ALS METERWARE BESTELLEN
8	4.680-121.0	Heating coil	1.000	ST		
8	4.680-125.0	Heating coil VA	1.000	ST		
2	7.304-031.0	Hexagonal head screw M8x55-8.8-A2E ISO	3.000	ST		
10	7.311-155.0	Hexagon nut M22x1,5 -Cu2 DIN 936	2.000	ST		
13	4.412-536.0	Nut closure	1.000	ST		
1	4.652-108.0	Outer covering complete	1.000	ST		
11	4.421-512.0	Pipelines	1.000	ST		
12	4.421-149.0	Pipelines	1.000	ST	Version 1	
9	5.365-068.0	Profile gasket	2.000	ST		
12	4.421-967.0	Tube pipeline complete	1.000	ST	Version 2	
3	7.312-277.0	Washer 8-200HV-A2E ISO7093-1	3.000	ST		