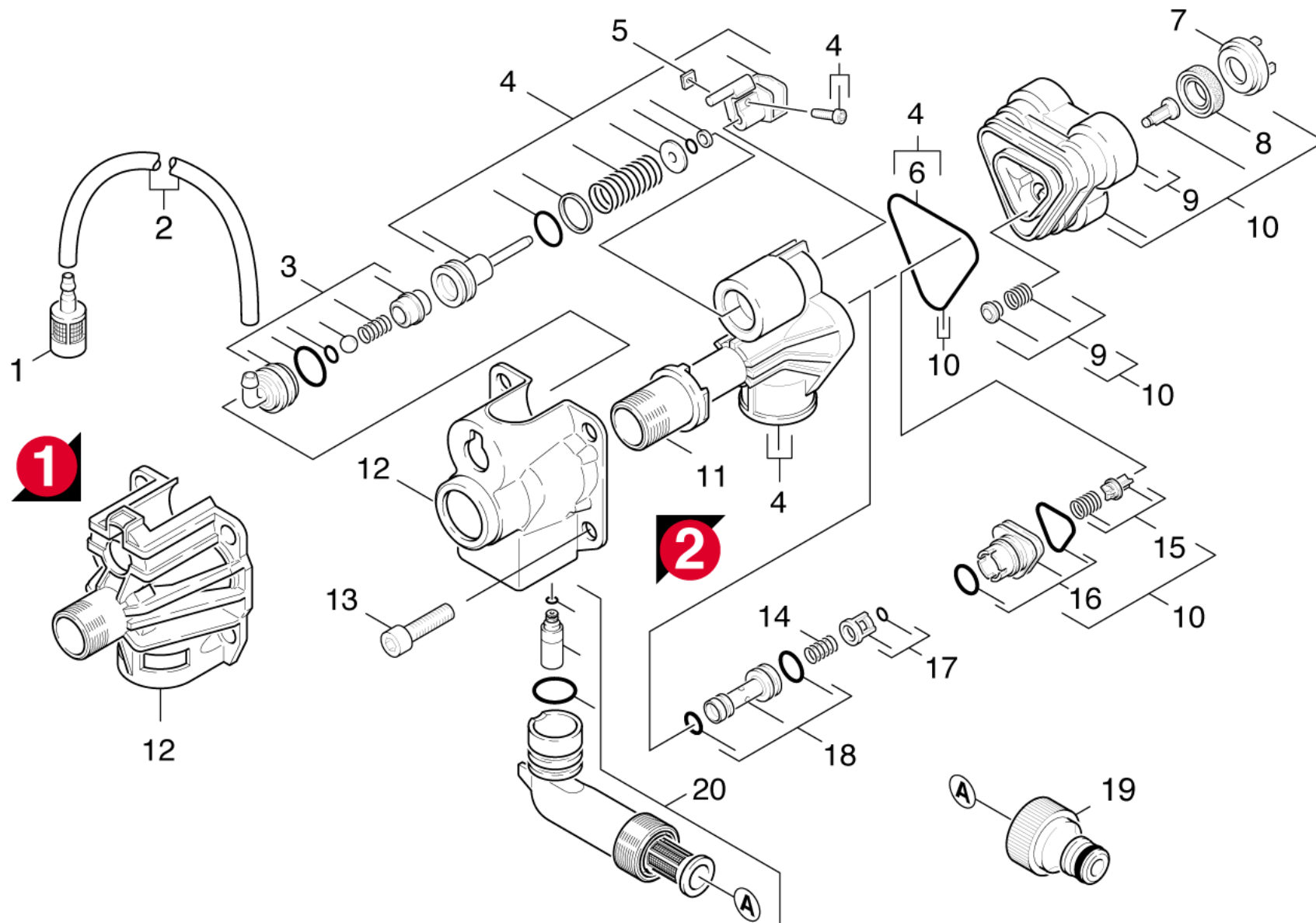


21 Cylinder head

Overview technical documents/Home & Garden/High pressure cleaner cold water/Electric motor/K 3/K 3.70M

*EU (1.141-251.0)/Spare parts list K 370 *EUR/20 Pump set/21 Cylinder head



21 Cylinder head

Overview technical documents/Home & Garden/High pressure cleaner cold water/Electric motor/K 3/K 3.70M *EU (1.141-251.0)/Spare parts list K 370 *EUR/20 Pump set/21 Cylinder head

Poz.	Materiāla Nr.	Nosaukums	Daudzums	Pārdoš. vienība	no sēr. Nr.	līdz sēr. Nr.	Daž. informācija
1	5.731-652.0	Filtrs ar atsvariņu	1.000	ST	0000000000	0000000000	
2	6.388-216.0	Šļūtene DN 5	1.000	M	0000000000	0000000000	
3	9.001-741.0	Korpasa kompaktais modulis, priekšējais	1.000	ST	0000000000	0000000000	
4	9.001-104.0	Sadales galvas rezerves daļu komplekts	1.000	ST	0000000000	0000000000	
5	7.311-569.0	Square nut M4 -04-A2E DIN 562	1.000	ST	0000000000	0000000000	
6	9.081-422.0	Veidnes blīve	1.000	ST	0000000000	0000000000	
7	9.036-322.0	Atbalsta paplāksne	3.000	ST	0000000000	0000000000	
8	6.362-875.0	Gredzens ar gropi	3.000	ST	0000000000	0000000000	
9	9.001-110.0	Veidnes detaļa, pilns komplekts	1.000	ST	0000000000	0000000000	
10	9.001-105.0	Cilindra galvas rezerves daļu komplekts	1.000	ST	0000000000	0000000000	
11	9.036-444.0	Uzmava	1.000	ST	0000000000	0000000000	VERSION 2
12	2.889-075.0	Spare part set	1.000	ST	0000000000	0000000000	VERSION 1
12	9.039-117.0	Pārsegs	1.000	ST	0000000000	0000000000	VERSION 2
13	7.306-042.0	Cylinder head screw M8x25 -8.8-A2E ISO4	4.000	ST	0000000000	0000000000	
14	9.047-026.0	Atspere	1.000	ST	0000000000	0000000000	
15	9.001-149.0	Vārstu komplekts	1.000	ST	0000000000	0000000000	
16	9.001-106.0	Savienotājdetaļa	1.000	ST	0000000000	0000000000	
17	9.001-107.0	Aptvere, pilns komplekts	1.000	ST	0000000000	0000000000	
18	9.001-108.0	Inžektors, pilns komplekts	1.000	ST	0000000000	0000000000	
19	6.465-031.0	connection	1.000	ST	0000000000	0000000000	
20	9.001-187.0	Iepļūdes līkums	1.000	ST	0000000000	0000000000	