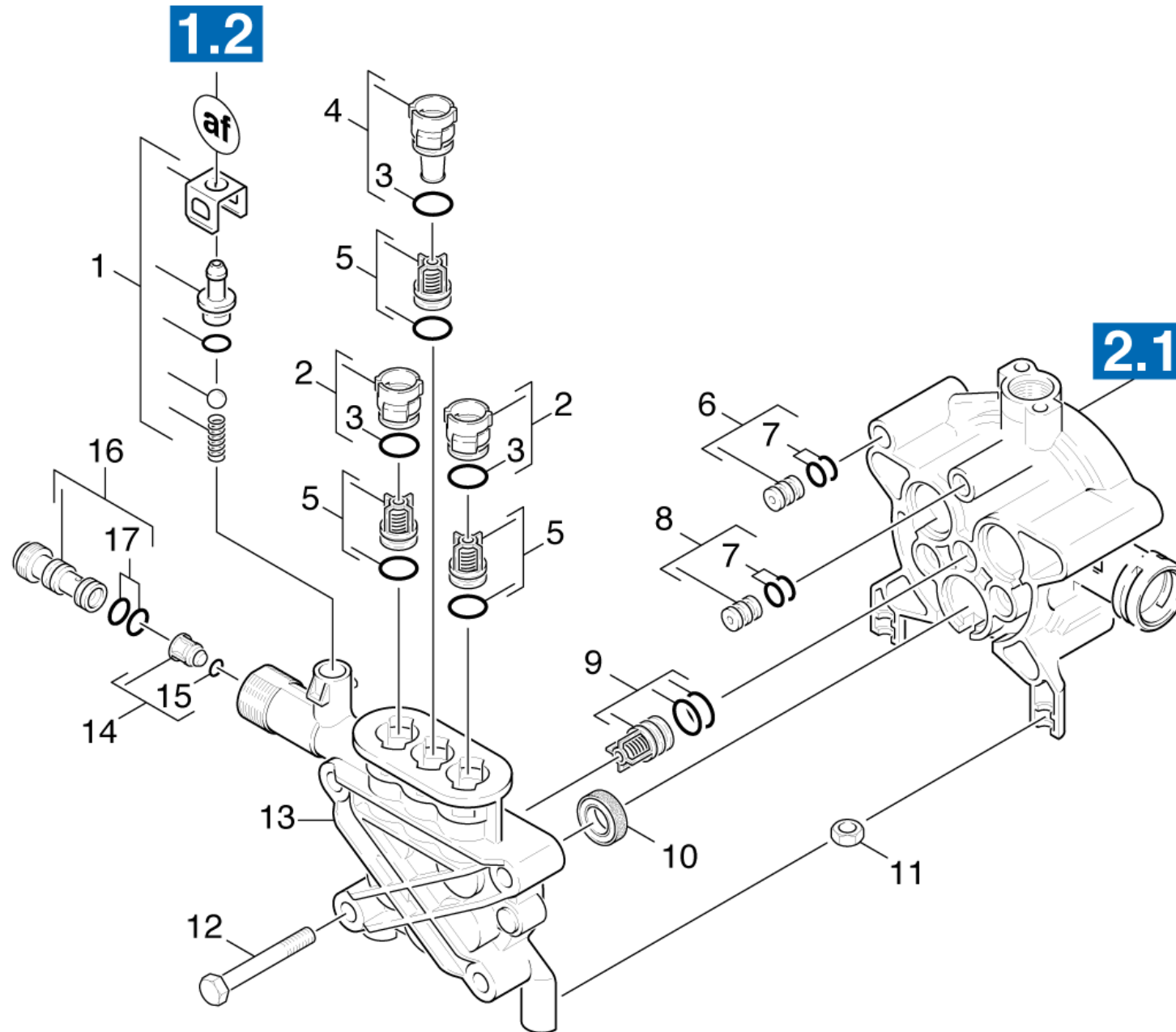


21 Cylinder head

Home and Garden \ High pressure cleaner cold water \ Electric motor \ K 6 \ K 6.85 M-PL-WB *SA \ Spare parts list K 6.80 \ Pump set \ Cylinder head



21 Cylinder head

Home and Garden \ High pressure cleaner cold water \ Electric motor \ K 6 \ K 6.85 M-PL-WB *SA \ Spare parts list K 6.80 \ Pump set \ Cylinder head

KÄRCHER

POS	Article no.	Description	Quantity	Unit
13	5.550-331.0	Cylinder head	1.000	ST
10	6.365-394.0	Grooved ring 12x20x5,3/2,8	3.000	ST
12	7.304-098.0	Hexagonal head screw M8x80-8.8-A2E ISO	4.000	ST
11	7.311-003.0	Hexagon nut M6 -8-A2E ISO 4032	2.000	ST
8	4.030-125.0	Joining piece only for replacement	1.000	ST
16	4.769-043.0	Nozzle insert only for replacement	1.000	ST
15	6.363-613.0	O-Ring seal 4 x 2 -NBR90	1.000	ST
7	6.362-176.0	O-Ring seal 6,07x1,78	4.000	ST
17	6.362-384.0	O-Ring seal 9x1,5 - NBR 70	1.000	ST
3	6.363-273.0	O-Ring seal 11,0 x 2,0	3.000	ST
1	2.883-258.0	Spare part set neutrally	1.000	ST
6	4.030-070.0	Throttle complete	1.000	ST
9	2.884-877.0	Valve (3 Stueck)	1.000	ST
5	2.884-873.0	Valve (3 Stueck)	1.000	ST
14	4.584-022.0	Valve pin complete	1.000	ST
2	4.132-010.0	Valve plug complete	2.000	ST
4	4.132-011.0	Valve plug complete	1.000	ST