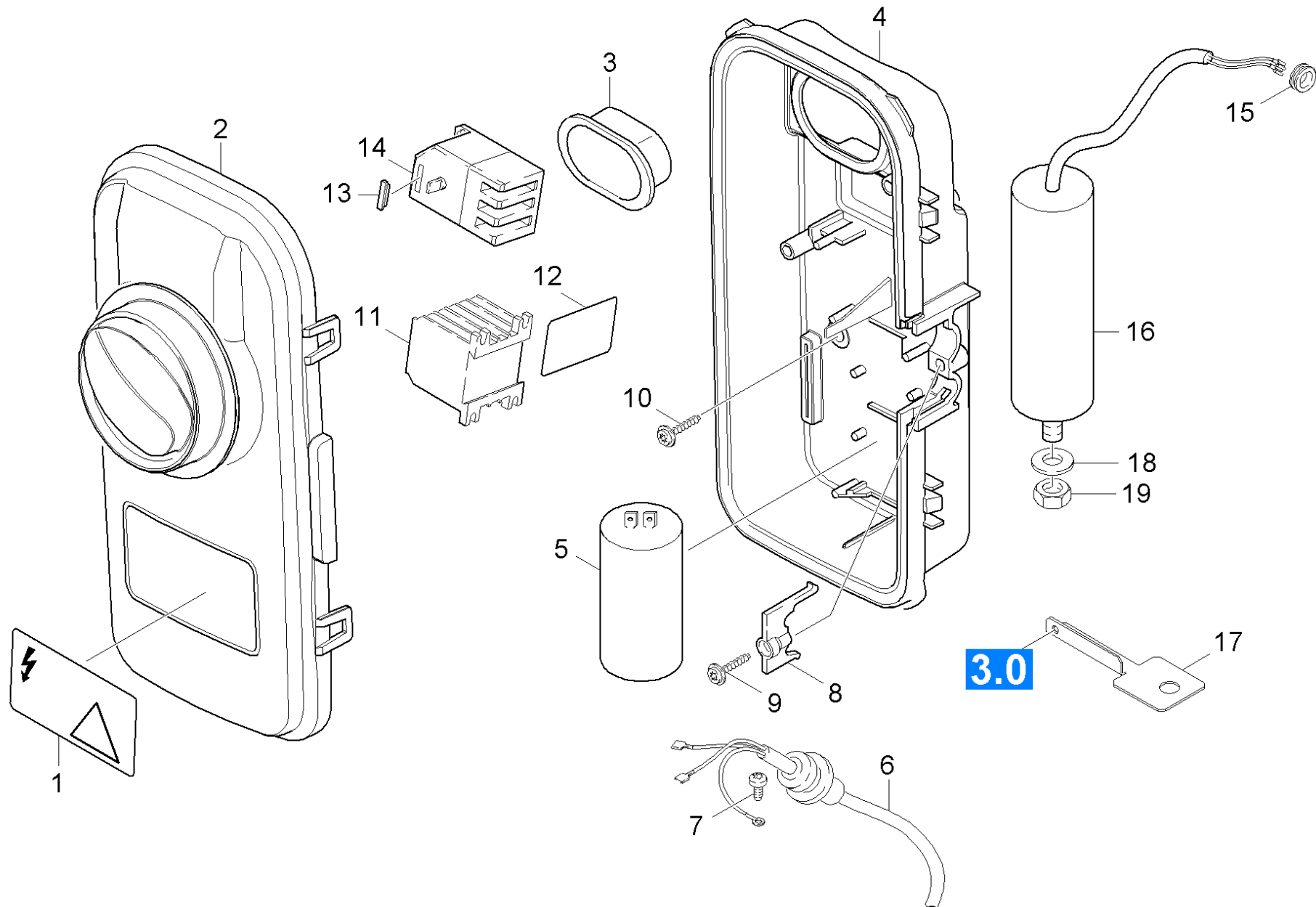


50 Electric box

Professional \ High pressure cleaner cold water \ Electric motor \ HD 5/17C PLUS *EU \ Spare parts list HD 6/15, HD 7/18 \ Electric box



POS	Article no.	Description	Quantity	Unit
6	6.649-350.0	Cable complete	1.000	ST
	Item text1: 1.151-605.0 / -606.0			
6	6.649-185.0	Cable without plug	1.000	ST
	Item text1: 1.151-602.0 / -604.0 / -607.0 / -608.0			
6	6.649-401.0	Cable without plug	1.000	ST
	Item text1: 1.150-612.0			
6	6.649-134.0	Cable with plug	1.000	ST
	Item text1: 1.151-601.0 /-603.0 /-612.0			
6	6.649-424.0	Cable with plug	1.000	ST
	Item text1: 1.150-609.0 /-615.0 /1.214-121.0			
6	6.648-906.3	Cable with plug	1.000	ST
	Item text1: 1.150-601.0 /-603.0 /-607.0 /-608.0 /			
	Item text2: 1.214-120.0 /-122.0 /-123.0			
6	6.649-400.0	Cable with plug *AR	1.000	ST
	Item text1: 1.150-613.0			
6	6.649-237.0	Cable with plug *AU	1.000	ST
	Item text1: 1.150-619.0			
6	6.649-737.0	Cable with plug *CN H07 RN-F 3G1,5/5,7m	1.000	ST
	Item text1: 1.150-606.0			
6	6.648-977.0	Cable with plug *GB	1.000	ST
	Item text1: 1.150-604.0			
6	6.649-943.0	Cable with plug CH	1.000	ST
	Item text1: 1.150-602.0 / -622.0			
13	6.630-049.0	Cap	1.000	ST
	Item text1: 1.151-601.0 / -602.0/ -603.0/ -604.0 -605.0/ -606.0/ -607.0/-608.0 /-612.0 /1.214-121.0 /			
5	6.661-298.0	Capacitor 40µF	1.000	ST
	Item text1: 1.150-601.0 /-602.0 /-603.0 /-604.0 /-606.0 /-607.0 1.150-608.0 /-618.0 /-619.0 /-622.0 /1.214-120.0/-122.0 /-123.0			
16	6.661-254.3	Capacitor 80 µF	1.000	ST
	Item text1: 1.150-609.0 /-615.0 / 1.214-121.0 /			
11	6.632-173.0	Contacteur 4,0KW/400V	1.000	ST
	Item text1: 1.151-601.0 / -603.0 / -607.0 / -612.0			
11	6.632-421.0	Contacteur 7,5 kW / 220 V	1.000	ST
	Item text1: 1.150-609.0 /-615.0 / 1.214-121.0 /			

50 Electric box

Professional \ High pressure cleaner cold water \ Electric motor \ HD 5/17C PLUS *EU \ Spare parts list HD 6/15, HD 7/18 \ Electric box

KÄRCHER

POS	Article no.	Description	Quantity	Unit
11	6.632-309.0	Contacteur 110 V	1.000	ST
	Item text1: 1.150-612.0			
11	6.632-281.0	Contacteur 230 V	1.000	ST
	Item text1: 1.151-602.0 / -604.0 / -605.0 / -606.0 /			
	Item text2: -608.0			
2	4.063-810.0	Cover completely	1.000	ST
	Item text1: 1.151-601.0/-602.0/-603.0/-604.0/-605.0 /-606.0/-607.0/-608.0/-612.0 / 1.150-609.0 /-615.0 1.214-121.0/			
18	7.311-071.0	Hexagon nut M12-A2-70 ISO 4032	1.000	ST
	Item text1: 1.150-609.0 /-615.0 / 1.214-121.0 /			
17	5.043-069.0	Holder for capacitor	1.000	ST
	Item text1: 1.150-609.0 /-615.0 / 1.214-121.0 /			
4	5.061-000.0	Housing	1.000	ST
4	5.064-242.0	Housing with bore	1.000	ST
	Item text1: 1.150-609.0 /-615.0 /1.214-121.0 /			
1	5.388-512.0	Label	1.000	ST
14	6.631-196.0	Motor protecting switch	1.000	ST
	Item text1: 1.150-609.0 /-615.0 / 1.214-121.0 /			
14	6.631-190.0	Motor protecting switch	1.000	ST
	Item text1: 1.151-601.0 / -602.0/ -603.0/ -604.0			
	Item text2: -605.0/ -606.0 /-608.0 /-612.0			
14	6.631-199.0	Motor protecting switch	1.000	ST
	Item text1: 1.151-607.0			
12	5.048-251.0	Plate	1.000	ST
	Item text1: 1.151-601.0 / -602.0/ -603.0/ -604.0 -605.0/ -606.0/ -607.0 / -612.0 / 1.214-121.0/			
3	5.365-181.0	Profile gasket	1.000	ST
9	7.303-109.0	Screw 5x25 -10.9-R2R (In6Rd)	1.000	ST
7	7.303-031.0	Screw M4x10 -St-P2R (In6Rd)	1.000	ST
10	6.303-153.0	Screw M5x15-ST-R2R (IN6RD)	3.000	ST
5	7.777-999.0	Stockpiling discontinued	1.000	ST
	Item text1: 1.150-612.0			
2	4.744-266.0	Switch complete	1.000	ST
	Item text1: 1.150-601.0 /-603.0 /-604.0 /-606.0 /-607.0 /-608.0 /-612.0 /-613.0 /-619.0 /1.214-120.0 /-122.0 /-123.0			
2	4.744-166.0	Switch complete	1.000	ST

50 Electric box

Professional \ High pressure cleaner cold water \ Electric motor \ HD 5/17C PLUS *EU \ Spare parts list HD 6/15, HD 7/18 \ Electric box

KÄRCHER

POS	Article no.	Description	Quantity	Unit
	Item text1: 1.150-602.0 / -622.0			
8	5.263-051.0	Tensioning part	1.000	ST
19	7.312-054.0	Washer 12-A2 ISO 7089	1.000	ST
	Item text1: 1.150-609.0 /-615.0 / 1.214-121.0 /			
15	6.641-402.0	Wire protecting sleeve	1.000	ST
	Item text1: 1.150-609.0 /-615.0 / 1.214-121.0 /			