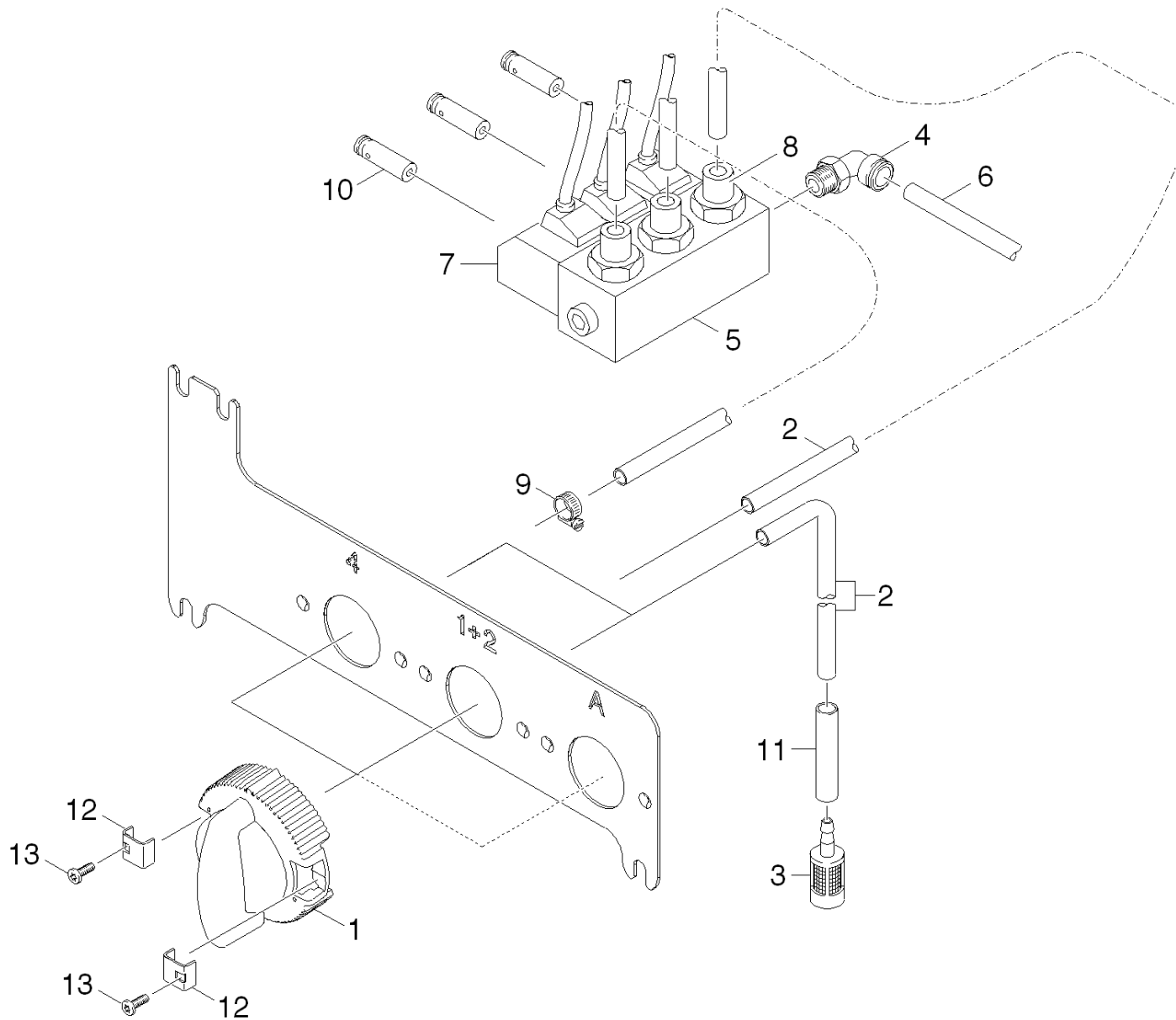


14 Washing programme

Overview technical documents/Professional/Systems engineering/Self-service appliances/One and two place cleaner/SB Wash E 5/10/SB Wash steel grey -E 5/10 Fp *GB (1.319-220.0)/Documentation folder SB-Wash-E 5/10/Spare parts list SB-Wash E 5/10 silber/10 Basic machinery/14 Washing programme



14 Washing programme

Overview technical documents/Professional/Systems engineering/Self-service appliances/One and two place cleaner/SB Wash E 5/10/SB Wash steel grey -E 5/10 Fp *GB (1.319-220.0)/Documentation folder SB-Wash-E 5/10/Spare parts list SB-Wash E 5/10 silber/10 Basic machinery/14 Washing programme

Rez.daļas/nodil.pakļ.daļas	Poz.	Materiāla Nr.	Nosaukums	Daudzums	Pārdoš. vienība	no sēr. Nr..	līdz sēr. Nr.
X-X	1	4.063-778.0	Proportioning valve chemistry	2.000	ST	0000000000	0000000000
X-X	2	6.389-193.0	hose	1.000	M	0000000000	0000000000
	3	6.414-277.0	Filter	1.000	ST	0000000000	0000000000
X-X	4	6.386-762.0	Screw connector angle 1/8", DN4	1.000	ST		
X-X	5	6.686-376.0	Valve block triple	1.000	ST	0000000000	0000000000
X-X	6	6.389-794.0	Hose PU 6/4	1.000	M	0000000000	0000000000
X-X	7	6.686-081.0	Solenoid valve	3.000	ST	0000000000	0000000000
X-X	8	6.386-571.0	Male stud coupling	1.000	ST	0000000000	0000000000
X-X	9	6.391-493.0	Hose clip	1.000	ST	0000000000	0000000000
X	10	6.686-587.0	Anchor	1.000	ST		
X-X	10	6.686-347.0	Anchor	3.000	ST		
	11	5.025-747.0	Tube	1.000	ST		
	12	5.053-157.0	Connecting piece	4.000	ST		
	13	7.306-208.0	Screw M 4x16-A2-70 (IN6RD)	8.000	ST		