

Spare parts list

(1.174-900.0) HDS 8/18-4 C

Table of contents

HDS 8/18-4 C (1.174-900.0)	5
HDS 8/18-4C*EU-I TV 01.01.2018 (2.002-033.0)	6
5 Motor pump	14
1 Thrust guidance complete	16
1 Thrust guidance complete	18
10 Cylinder head complete	20
1 Valve complete (4.580-594.0)	25
2 Valve (3 Stueck) (2.884-512.0)	27
40 Cylinder head complete only for replacem (4.550-995.0)	29
903 Valve (4.553-197.0)	31
904 Piston complete only for replacement (4.553-198.0)	33
36 Housing blower complete (4.605-140.0)	35
901 Pump set (2.884-008.0)	37
1 Valve (3 Stueck) (2.884-512.0)	39
2 Piston complete only for replacement (4.553-198.0)	41
4 Valve complete (4.580-594.0)	43
903 Motor complete nur fuer Ersatz (4.624-027.0)	45
7 Boiler	47
1 Outer covering complete (4.652-147.0)	49
1 Burner cage	51
901 Bottom pressure boiler (4.655-044.0)	52
12 Cover fuel complete (4.064-021.0)	54
16 Device cover complete	56
22 Hose intake	58
3 Piece of tube	60
24 Hose pump	61
29 Valve cleaning agents complete	63
30 Float valve	65
31 Cover pressure boiler	67
901 Conversion kit ignition electrode (2.638-974.0)	69
902 Cover pressure boiler only for replaceme (4.654-288.0)	71
35 Filter complete fuel (4.730-163.0)	73
42 Safety system	75
48 Electric control box complete	77
1 Control panel complete	79
52 Set mounting parts	81
97 Piece of tube	83
901 Power nozzle TR 25043 (2.113-008.0)	84

Table of contents

905 Cover (4.064-029.0)	86
906 Jet pipe TR 1050 mm (4.112-000.0)	88
1 Jet pipe TR 1050 mm	89
908 EASY!Force Advanced (4.118-005.0)	91
1 Hand trigger gun TR EH 155	92
9000 Spare part set lever (2.885-483.0)	94
909 Rotary controller TR 270L (4.118-007.0)	96
1 Rotary controller TR 270L	97
915 Hose assembly TR rotatable DN6 25MPa 10m (6.110-035.0)	99
1 Hose assembly TR rotatable DN6 25MPa 10m	100
Spare parts list HDS 8/18-4C (5.974-074.0)	102
5 Motor pump	110
1 Thrust guidance complete	112
1 Thrust guidance complete	114
10 Cylinder head complete	116
1 Valve complete (4.580-594.0)	121
2 Valve (3 Stueck) (2.884-512.0)	123
40 Cylinder head complete only for replacem (4.550-995.0)	125
903 Valve (4.553-197.0)	127
904 Piston complete only for replacement (4.553-198.0)	129
36 Housing blower complete (4.605-140.0)	131
901 Pump set (2.884-008.0)	133
1 Valve (3 Stueck) (2.884-512.0)	135
2 Piston complete only for replacement (4.553-198.0)	137
4 Valve complete (4.580-594.0)	139
903 Motor complete nur fuer Ersatz (4.624-027.0)	141
7 Boiler	143
1 Outer covering complete (4.652-147.0)	145
1 Burner cage	147
901 Bottom pressure boiler (4.655-044.0)	148
12 Cover fuel complete (4.064-021.0)	150
16 Device cover complete	152
22 Hose intake	154
3 Piece of tube	156
24 Hose pump	157
29 Valve cleaning agents complete	159
30 Float valve	161
31 Cover pressure boiler	163

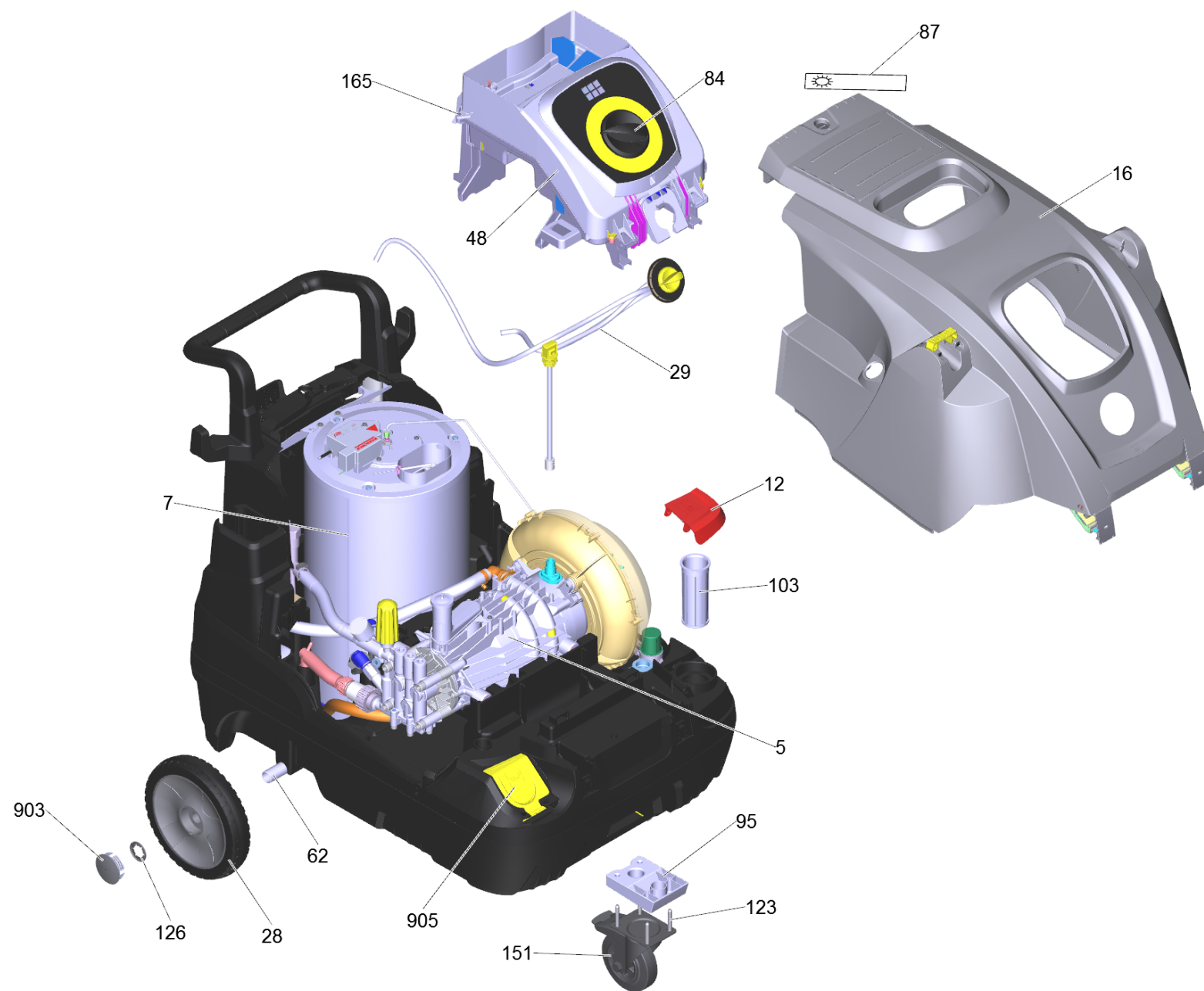
Table of contents

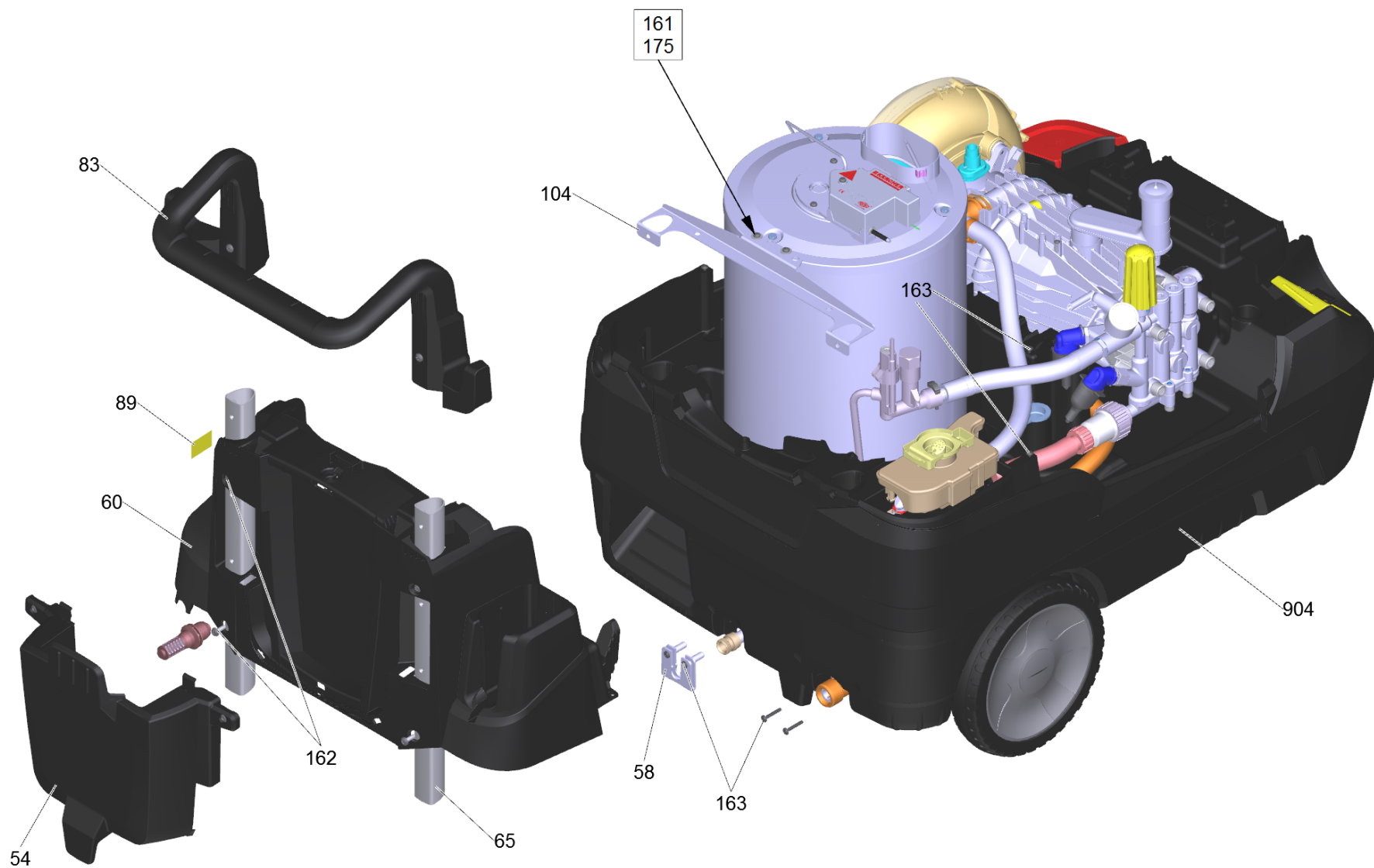
901 Conversion kit ignition electrode (2.638-974.0)	165
902 Cover pressure boiler only for replaceme (4.654-288.0)	167
35 Filter complete fuel (4.730-163.0)	169
42 Safety system	171
48 Electric control box complete	173
1 Control panel complete	175
52 Set mounting parts	177
97 Piece of tube	179
901 Power nozzle TR 25043 (2.113-008.0)	180
902 Steam nozzle TR 40050 (2.114-002.0)	182
905 Cover (4.064-029.0)	184
906 Jet pipe TR 1050 mm (4.112-000.0)	186
1 Jet pipe TR 1050 mm	187
908 EASY!Force Advanced (4.118-005.0)	189
1 Hand trigger gun TR EH 155	190
9000 Spare part set lever (2.885-483.0)	192
909 Rotary controller TR 270L (4.118-007.0)	194
1 Rotary controller TR 270L	195
915 Hose assembly TR rotatable DN6 25MPa 10m (6.110-035.0)	197
1 Hose assembly TR rotatable DN6 25MPa 10m	198
1030 Short spare parts list	200

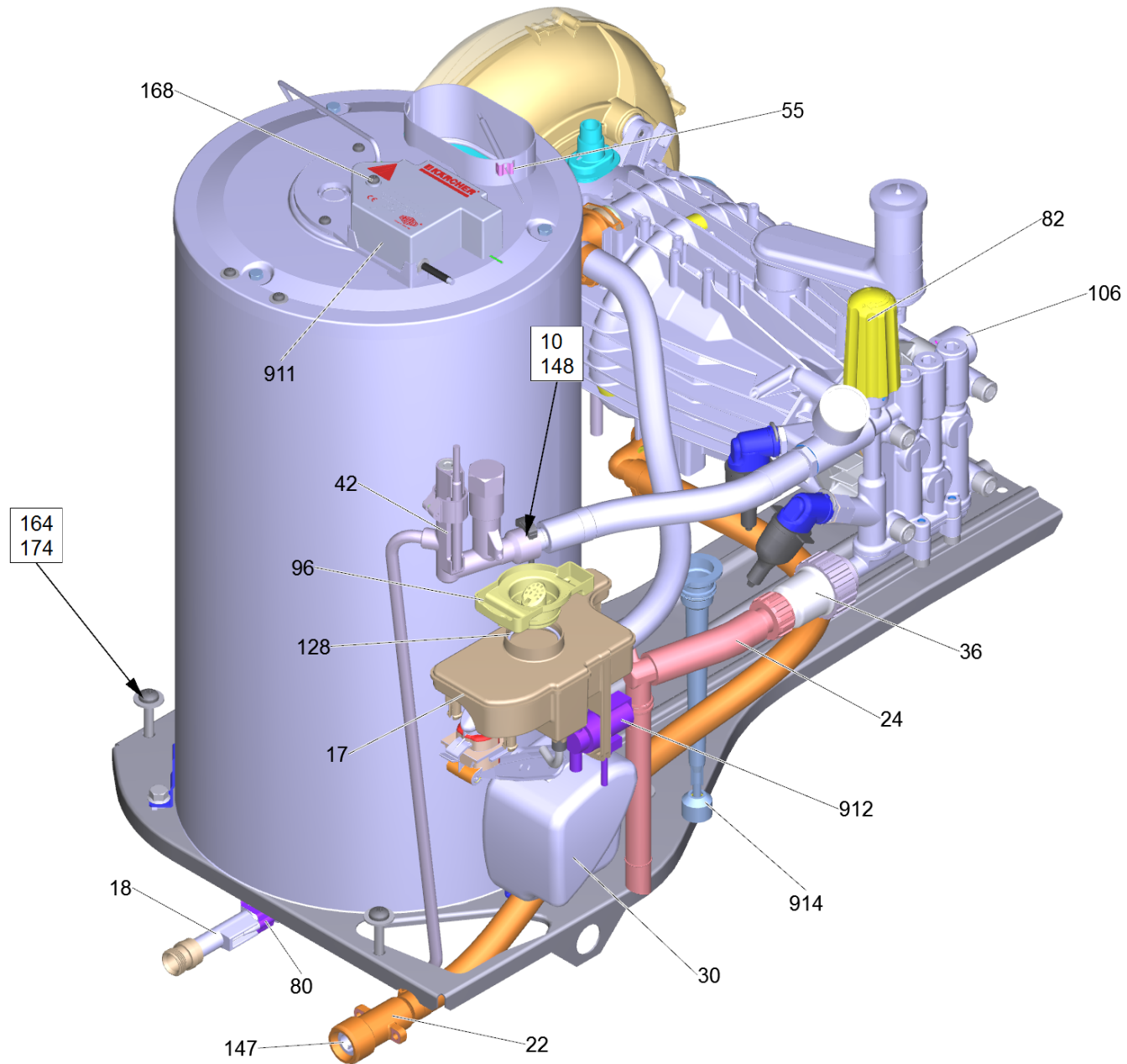
HDS 8/18-4 C (1.174-900.0)

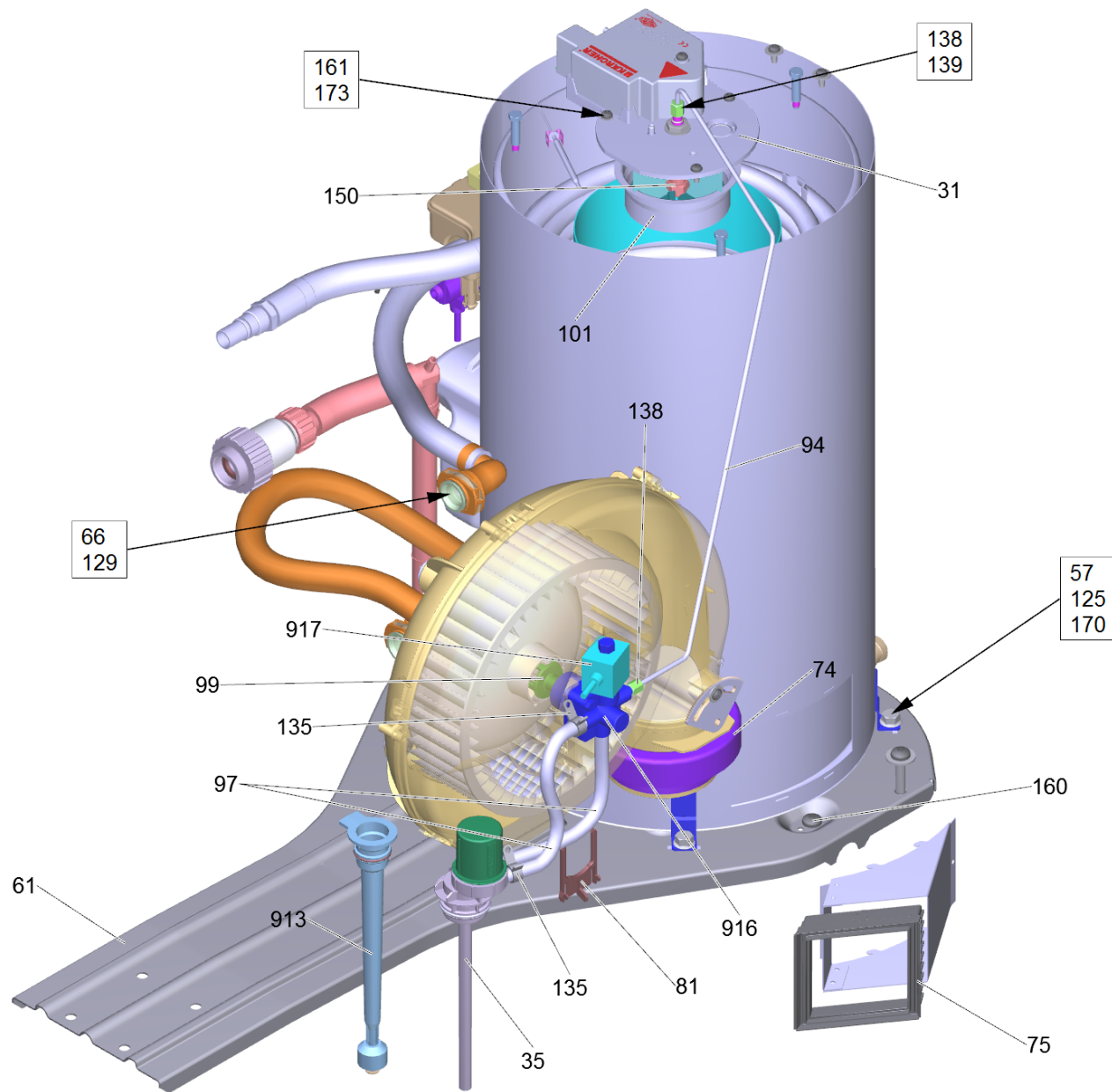
POS	Preces Nr.	Apraksts	Quantity	Unit
0	2.002-033.0	HDS 8/18-4C*EU-I TV 01.01.2018	1.000	ST
0		PAIS HDS 8/18-4C	1.000	ST
1030		Short spare parts list	1.000	ST
0	5.974-074.0	Spare parts list HDS 8/18-4C	1.000	ST







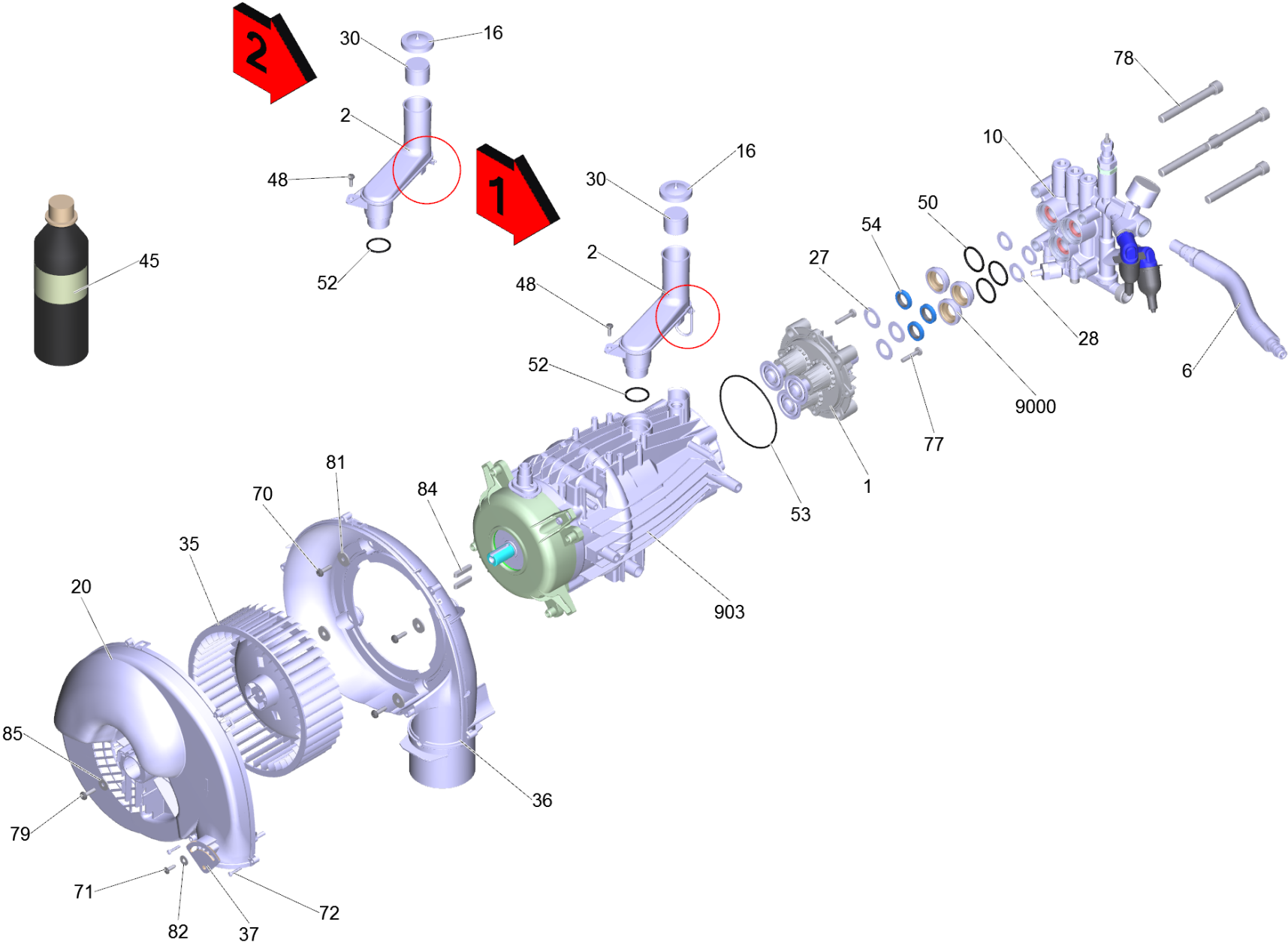




POS	Preces Nr.	Apraksts	Quantity	Unit
62	5.105-651.0	Axle	1.000	ST
65	5.107-295.0	Bar handhold	2.000	ST
904	4.051-201.0	Base frame complete only for replacement	1.000	ST
61	5.051-199.0	Base plate	1.000	ST
7		Boiler	1.000	ST
104	5.762-420.0	Bracket plate	1.000	ST
101	5.664-182.0	Burner part	1.000	ST
151	6.435-826.0	Castor D 125	1.000	ST
81	5.263-099.0	Clamp	1.000	ST
74	5.178-040.0	Collar air circulation	1.000	ST
94	5.423-400.0	Conduit fuel	1.000	ST
905	4.064-029.0	Cover	1.000	ST
12	4.064-021.0	Cover fuel complete	1.000	ST
31		Cover pressure boiler	1.000	ST
99	5.471-097.0	Degvielas sūkņa sakabe	1.000	ST
16		Device cover complete	1.000	ST
908	4.118-005.0	EASY!Force Advanced	1.000	ST
48		Electric control box complete	1.000	ST
80	5.263-064.0	Fiksējošais elements	1.000	ST
103	5.731-039.0	Filter	1.000	ST
36	4.730-141.0	Filter complete	1.000	ST
35	4.730-163.0	Filter complete fuel	1.000	ST
95	5.424-159.0	Fixing castor	1.000	ST
30		Float valve	1.000	ST
916	6.473-565.0	Fuel pump only for replacement	1.000	ST
129	6.362-579.0	Gredzenblīve 17,5 X 3,5	4.000	ST
128	6.362-377.0	Gredzenblīve 38,0 X 2,0-NBR 70	1.000	ST
139	6.389-263.0	Griezies gredzens	2.000	ST
106	5.767-005.0	Gumijas buferis	4.000	ST
84	5.324-136.0	Handle	1.000	ST
82	5.322-103.0	Handle	1.000	ST
58	5.043-076.0	Holder high-pressure outlet	1.000	ST
55	5.034-834.0	Holder probe	1.000	ST

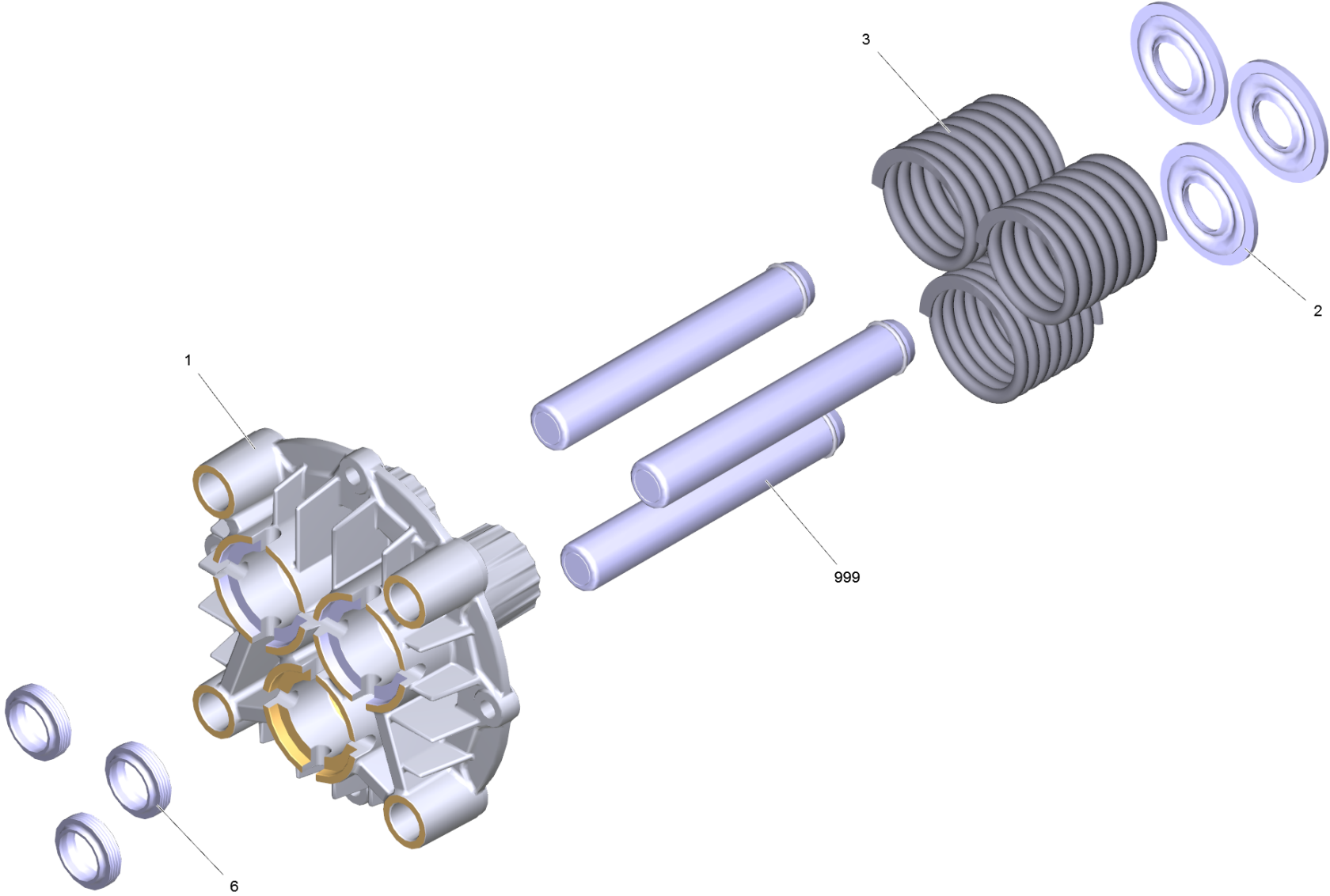
POS	Preces Nr.	Apraksts	Quantity	Unit
915	6.110-035.0	Hose assembly TR rotatable DN6 25MPa 10m	1.000	ST
135	6.388-559.0	Hose clip	2.000	ST
22		Hose intake	1.000	ST
24		Hose pump	1.000	ST
911	4.622-025.0	Ignition transformer only for replacemen	1.000	ST
906	4.112-000.0	Jet pipe TR 1050 mm	1.000	ST
87	5.383-342.0	Label fuel oil einfuellen	1.000	ST
914	4.747-111.0	Level probe cleaning agents only for rep	1.000	ST
913	4.747-110.0	Level probe fuel	1.000	ST
18	4.422-126.0	Manifold complete high-pressure outlet	1.000	ST
5		Motor pump	1.000	ST
60	5.050-912.0	Moulded part rear panel	1.000	ST
97		Piece of tube	2.000	ST
901	2.113-008.0	Power nozzle TR 25043	1.000	ST
909	4.118-007.0	Rotary controller TR 270L	1.000	ST
42		Safety system	1.000	ST
165	7.303-205.0	Screw 4x16-St-10.9-R2R (In6Rd)	2.000	ST
123	7.303-275.0	Screw 8x50 -10.9-A3E (In6Rd)	4.000	ST
168	7.303-240.0	Screw M5x40-ST-A2E (IN6RD)	1.000	ST
162	7.303-047.0	Screw M6x16 -St-R3R (In6Rd)	4.000	ST
161	7.303-038.0	Screw M6x20 -St-R3R (In6Rd)	5.000	ST
160	7.303-067.0	Screw M8x16-ST-R3R (IN6RD)	1.000	ST
164	7.303-147.0	Screw M 8x50-ST-A3E (IN6RD)	3.000	ST
75	5.195-319.0	Seal air circulation	1.000	ST
52		Set mounting parts	1.000	ST
903	2.889-086.0	Set wheel cap	1.000	ST
170	7.304-051.0	Sešstūrgalvas skrūve M 8x16-8.8-P2R EN	3.000	ST
147	6.414-141.0	Sieta filtrs	1.000	ST
148	6.414-566.0	Sieta filtrs WMS	1.000	ST
163	7.303-086.0	Skrūve 5x30 -10.9-R2R (K-In6Rd)	8.000	ST
66	5.110-341.0	Sleeve	2.000	ST
83	5.321-996.0	Sliding handle	1.000	ST
912	4.686-022.0	Solenoid valve DGT only for replacement	1.000	ST

POS	Preces Nr.	Apraksts	Quantity	Unit
917	6.473-567.0	Solenoīda vārsts, pilns kpl. - nomaiņai	1.000	ST
10	4.037-013.0	Spare part	1.000	ST
126	6.343-162.0	Sprostpaplāksne - 25	2.000	ST
17	4.070-732.0	Tank complete	1.000	ST
54	5.033-725.0	Tool bag	1.000	ST
173	7.312-172.0	Toothed lock washer A5,3-FSt-A3E DIN 67	1.000	ST
57	5.044-420.0	Turētājs	3.000	ST
150	6.415-761.0	Uzgalis 1,25 GPH 45 G ES	1.000	ST
125	6.310-081.0	Uzgrieznis M 8	3.000	ST
138	6.389-262.0	Uzmavuzgrieznis A 4-LL	2.000	ST
29		Valve cleaning agents complete	1.000	ST
89	5.387-620.0	Warning sticker-Prevent from freezing	1.000	ST
175	7.312-278.0	washer	2.000	ST
174	7.312-277.0	Washer 8-200HV-A2E ISO7093-1	3.000	ST
28	4.515-343.0	Wheel complete	2.000	ST
96	5.425-495.0	Īscaurule DGT	1.000	ST



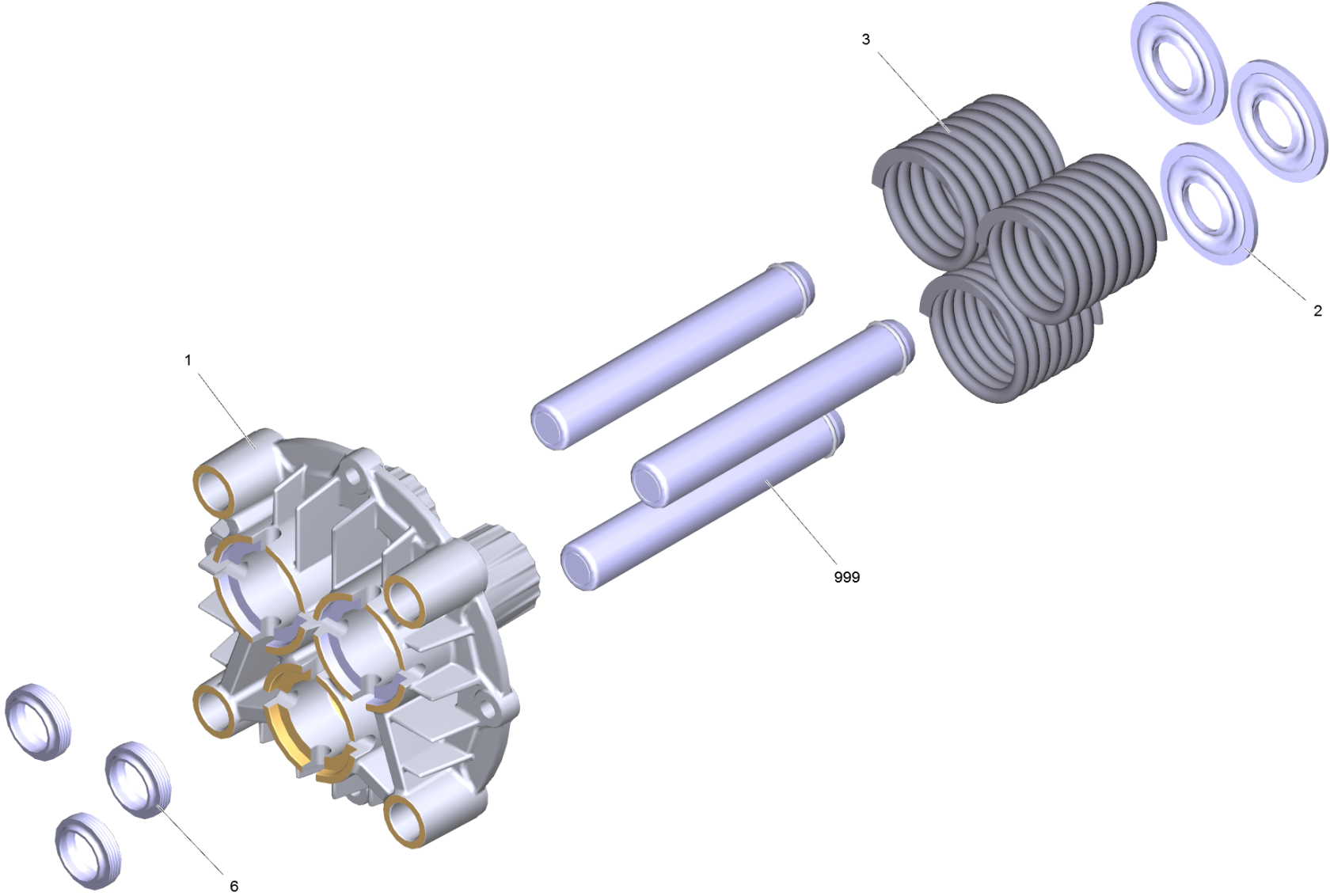
5 Motor pump

POS	Preces Nr.	Apraksts	Quantity	Unit	Piezīme	Zemsvītras piezīme
35	5.600-096.0	Blower wheel	1.000	ST		
9000	5.112-340.3	Bush	1.000	ST		
78	7.306-155.0	Cil. galvas skr. M12x100 -8.8-A3E IS	4.000	ST		
20	5.064-342.0	Cover blower	1.000	ST		
16	5.064-457.0	Cover gusty grey SAE 90	1.000	ST		
10		Cylinder head complete	1.000	ST		
37	5.606-009.0	Gaisa aizbāznis	1.000	ST		
50	6.362-406.0	Gredzenblīve 33,05X 1,78-NBR 70	3.000	ST		
53	6.362-613.0	Gredzenblīve 101,27X 2,62-NBR 70	1.000	ST		
6	6.391-859.0	High pressure hose DN 13	1.000	ST		
36	4.605-140.0	Housing blower complete	1.000	ST		
54	6.365-332.0	Kompaktā blīve 18x28x5,8	3.000	ST		
903	4.624-027.0	Motor complete nur fuer Ersatz	1.000	ST		
52	6.362-722.0	O-Ring seal 28,0 X 3,0	1.000	ST		
27	5.115-432.0	Paplāksne	3.000	ST		
28	5.115-431.0	Paplāksne	3.000	ST		
30	5.132-107.0	Plug	1.000	ST		
84	7.318-032.0	Prizm. ierievis 6x6x32-C45R DIN 6885	2.000	ST		
901	2.884-008.0	Pump set	1.000	ST		
48	6.303-153.0	Screw M5x15-ST-R2R (In6RD)	1.000	ST		
70	7.303-048.0	Screw M6x20 -St-R3R (In6Rd)	4.000	ST		
72	7.303-084.0	Skrūve 4x25 -10.9-R2R (K-In6Rd)	2.000	ST		
71	7.303-107.0	Skrūve 5x16 -10.9-P2R (K-In6Rd)	1.000	ST		
79	6.304-145.0	Skrūve M 6X20-R3R (IN6RD)	1.000	ST		
77	7.306-105.0	Skrūve M6x30 -8.8-R3R (In6Rd)	2.000	ST		
2	4.070-887.0	Tank oil complete	1.000	ST	Version 2	
2	4.070-748.0	Tank oil complete	1.000	ST	Version 1	
1		Thrust guidance complete	1.000	ST	Version 2	Piston blank
1		Thrust guidance complete	1.000	ST	Version 1	Piston coated
45	6.288-016.0	Transmisijas eļļa	1.000	ST		
81	7.312-260.0	washer	4.000	ST		
82	7.312-278.0	washer	1.000	ST		
85	7.312-276.0	Washer 6 -200HV-A2E ISO7093-1	1.000	ST		



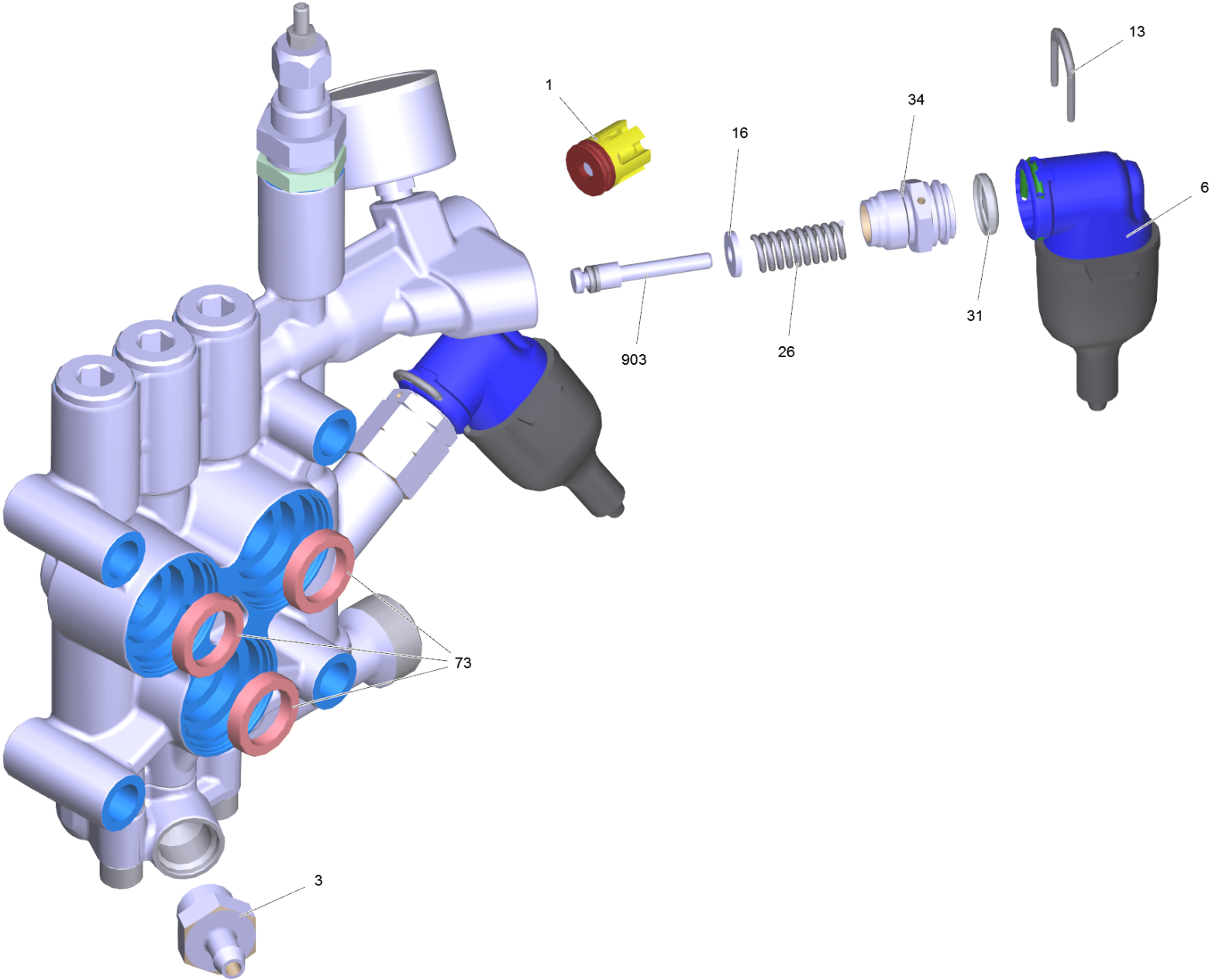
1 Thrust guidance complete

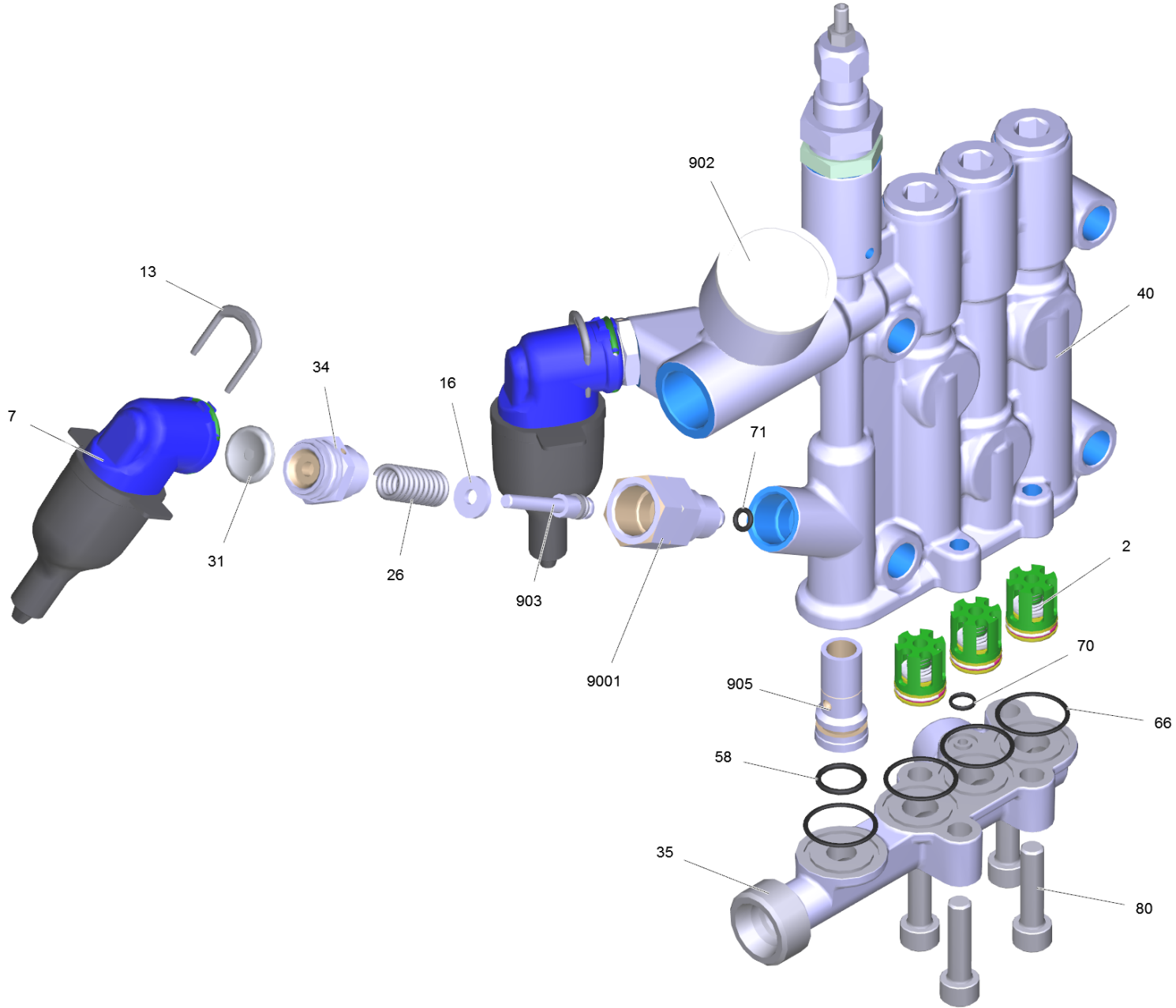
POS	Preces Nr.	Apraksts	Quantity	Unit
6	6.365-334.0	Gredzens ar gropi 18X26X6/8	3.000	ST
3	5.332-550.0	helical spring	3.000	ST
999	4.553-034.0	Piston complete only for replacement	3.000	ST
1	5.061-208.3	Thrust guidance D18	1.000	ST
2	5.116-325.0	Washer	3.000	ST

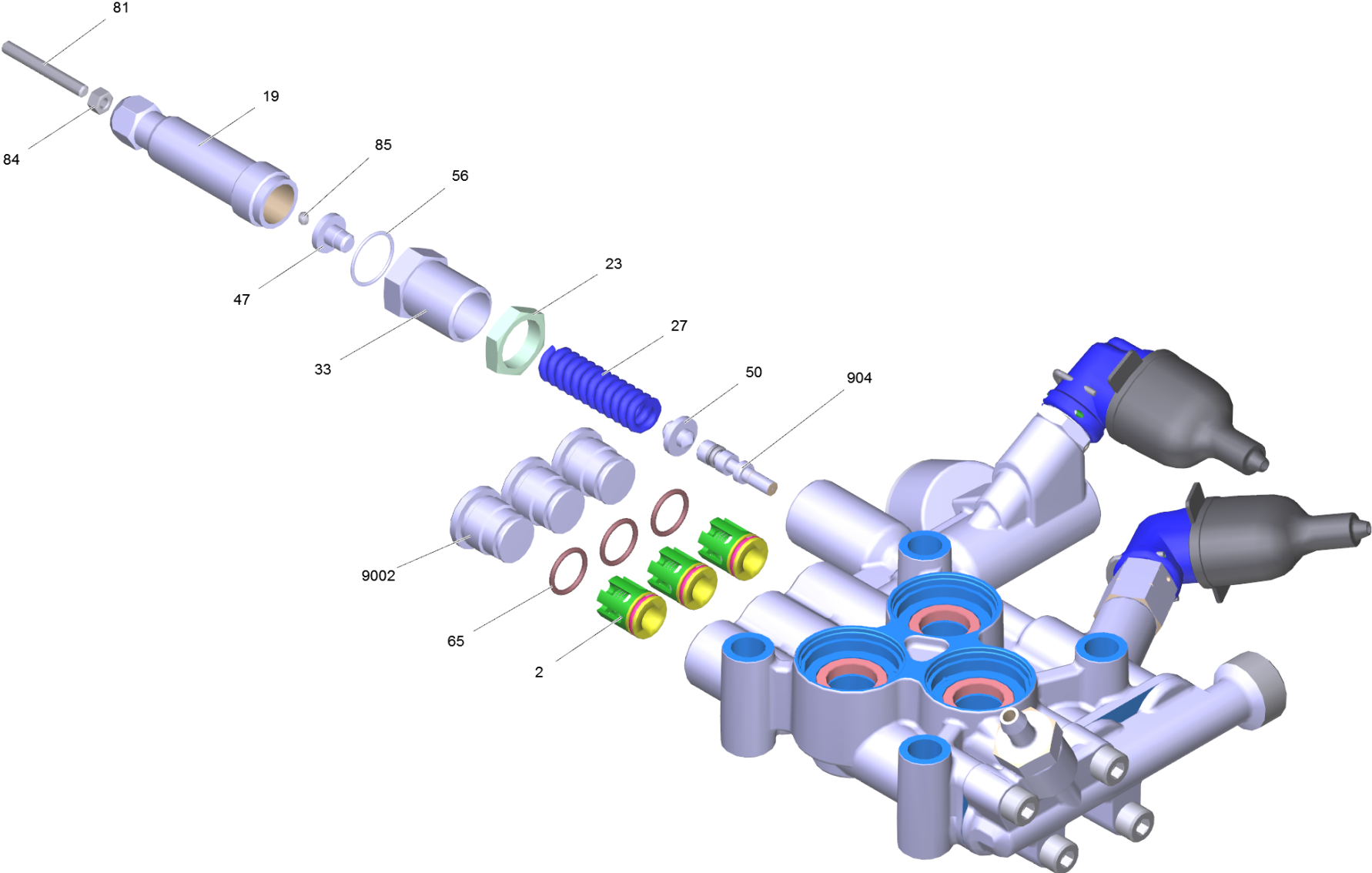


1 Thrust guidance complete

POS	Preces Nr.	Apraksts	Quantity	Unit
6	6.365-334.0	Gredzens ar gropi 18X26X6/8	3.000	ST
3	5.332-550.0	helical spring	3.000	ST
999	4.553-314.0	Piston complete only for replacement	3.000	ST
1	5.061-208.3	Thrust guidance D18	1.000	ST
2	5.116-325.0	Washer	3.000	ST





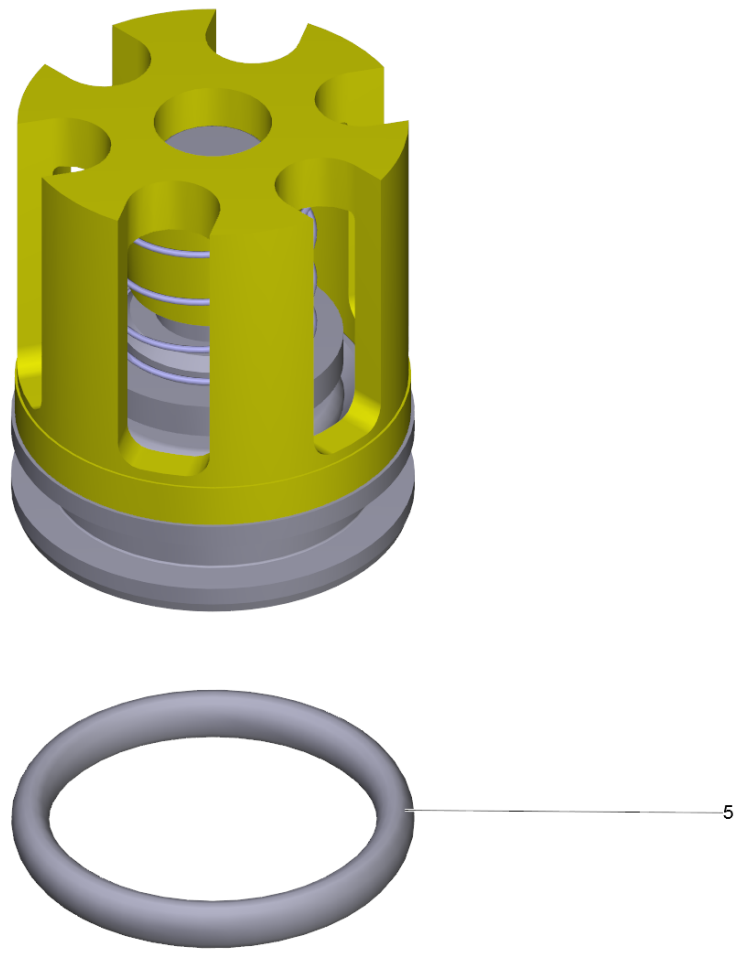


10 Cylinder head complete

POS	Preces Nr.	Apraksts	Quantity	Unit
80	7.306-043.0	Cil. galvas skr. M8x30 -8.8-A2E ISO	4.000	ST
40	4.550-995.0	Cylinder head complete only for replacem	1.000	ST
71	6.362-853.0	Gredzenblīve 4,47x1,78	1.000	ST
70	6.362-703.0	Gredzenblīve 6,0x1,5-NBR 70	1.000	ST
58	6.362-381.0	Gredzenblīve 13x2 - NBR 70	1.000	ST
65	6.362-481.0	Gredzenblīve 14,0 x 2,0 NBR 80	3.000	ST
56	6.362-079.0	Gredzenblīve 18,0 X 2,5	1.000	ST
66	6.363-536.0	Gredzenblīve 21x1,5	4.000	ST
73	6.365-333.0	Gredzens ar gropi 18X26X5,4	3.000	ST
84	7.311-002.0	hexagon nut	1.000	ST
7	4.744-225.3	High-pressure outlet complete K5.91M	1.000	ST
33	5.404-082.0	hollow screw	1.000	ST
85	7.401-931.0	locking ring	1.000	ST
35	5.427-439.0	Manifold water intake	1.000	ST
31	5.367-030.0	Membrāna	2.000	ST
77	6.869-008.0	Metāla līme	0.001	ZST
16	5.115-796.0	Paplāksne	2.000	ST
904	4.553-198.0	Piston complete only for replacement	1.000	ST
902	4.422-990.0	Pressure gauge complete only for replace	1.000	ST
13	5.034-494.0	Retaining bracket	2.000	ST
9001	5.402-705.3	Savienotājdetaļa	1.000	ST
23	5.311-204.0	Sešstūra uzgrieznis M22 x 1,5	1.000	ST
19	5.304-070.0	Skrūve ar sešstūru galvu	1.000	ST
26	5.332-268.0	Spirālveida atspere	2.000	ST
27	5.332-444.0	Spirālveida atspere	1.000	ST
6	4.744-224.0	Switch	1.000	ST
81	7.307-017.0	threaded pin	1.000	ST
905	5.110-800.0	Uzmava	1.000	ST
903	4.553-197.0	Valve	2.000	ST
3	4.580-581.3	Valve	1.000	ST
2	2.884-512.0	Valve (3 Stueck)	2.000	ST
1	4.580-594.0	Valve complete	1.000	ST
50	5.584-114.0	valve pin	1.000	ST

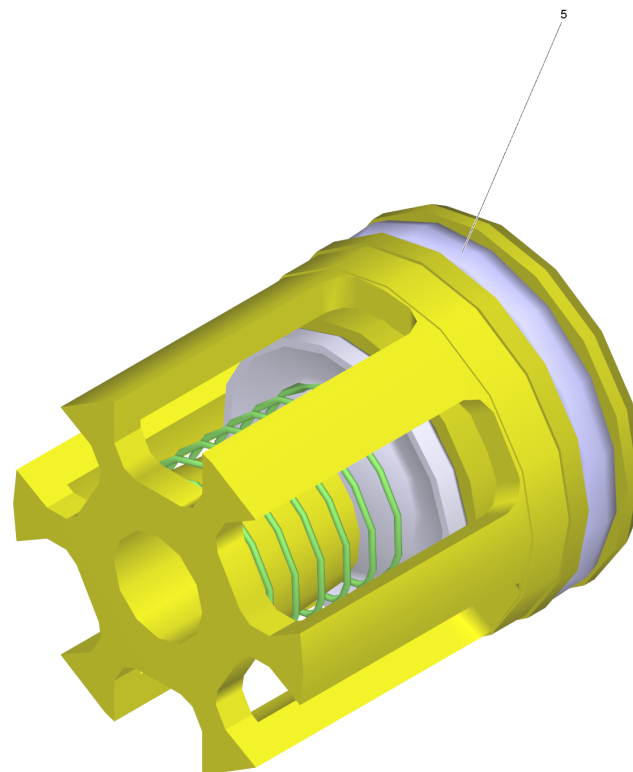
10 Cylinder head complete

POS	Preces Nr.	Apraksts	Quantity	Unit
9002	5.583-146.3	Vārsta skrūve	1.000	ST
47	5.582-121.0	Vārstu plate	1.000	ST
34	5.411-148.0	Vītņtapa	2.000	ST



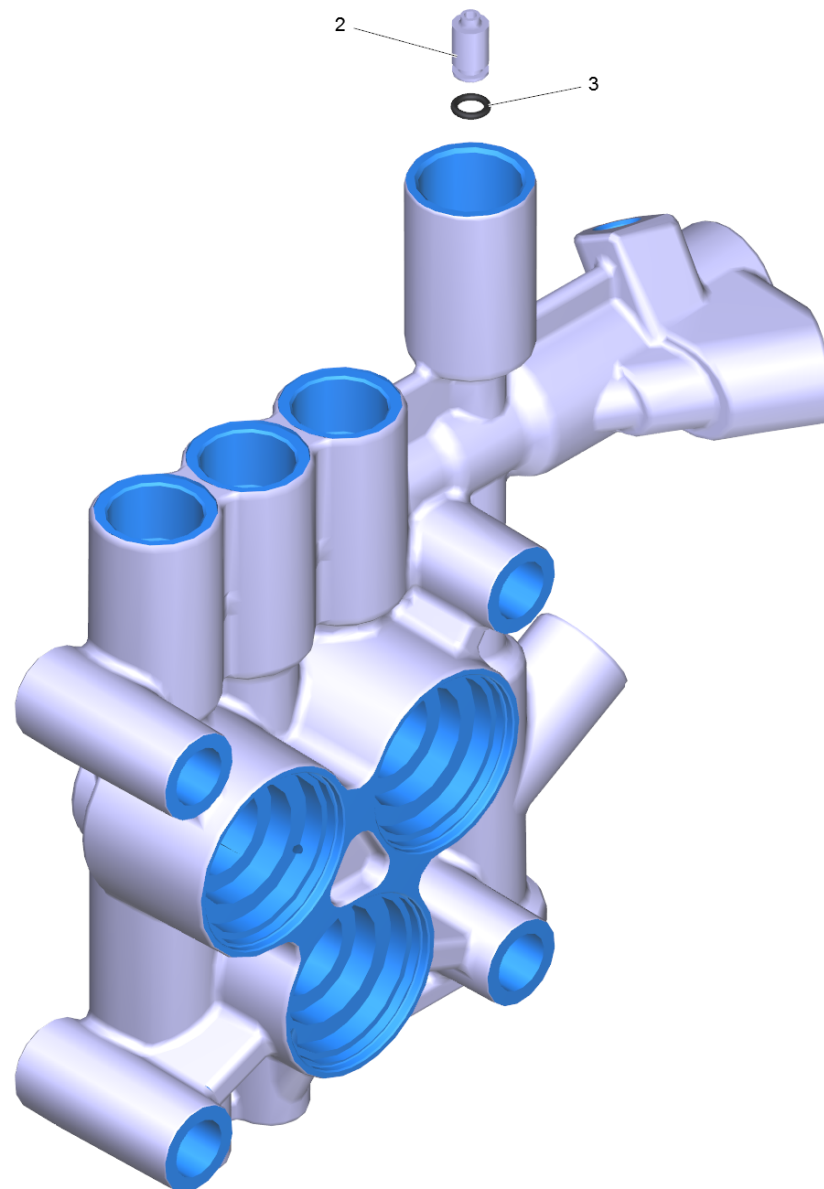
1 Valve complete (4.580-594.0)

POS	Preces Nr.	Apraksts	Quantity	Unit
5	6.362-381.0	Gredzenblīve 13x2 - NBR 70	1.000	ST



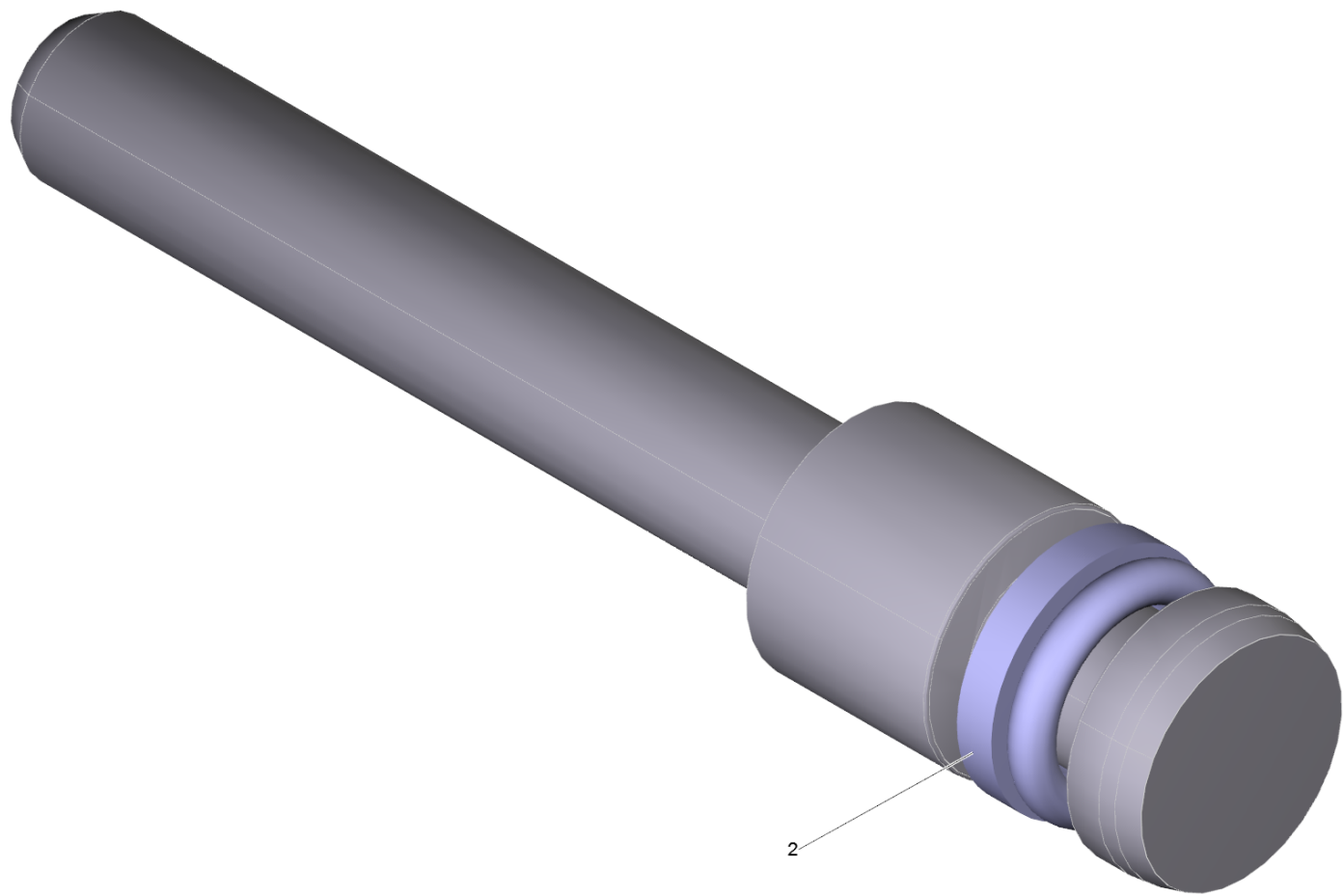
2 Valve (3 Stueck) (2.884-512.0)

POS	Preces Nr.	Apraksts	Quantity	Unit
5	6.363-003.0	Gredzenblīve 13,0 X 2,0-NBR 90	1.000	ST



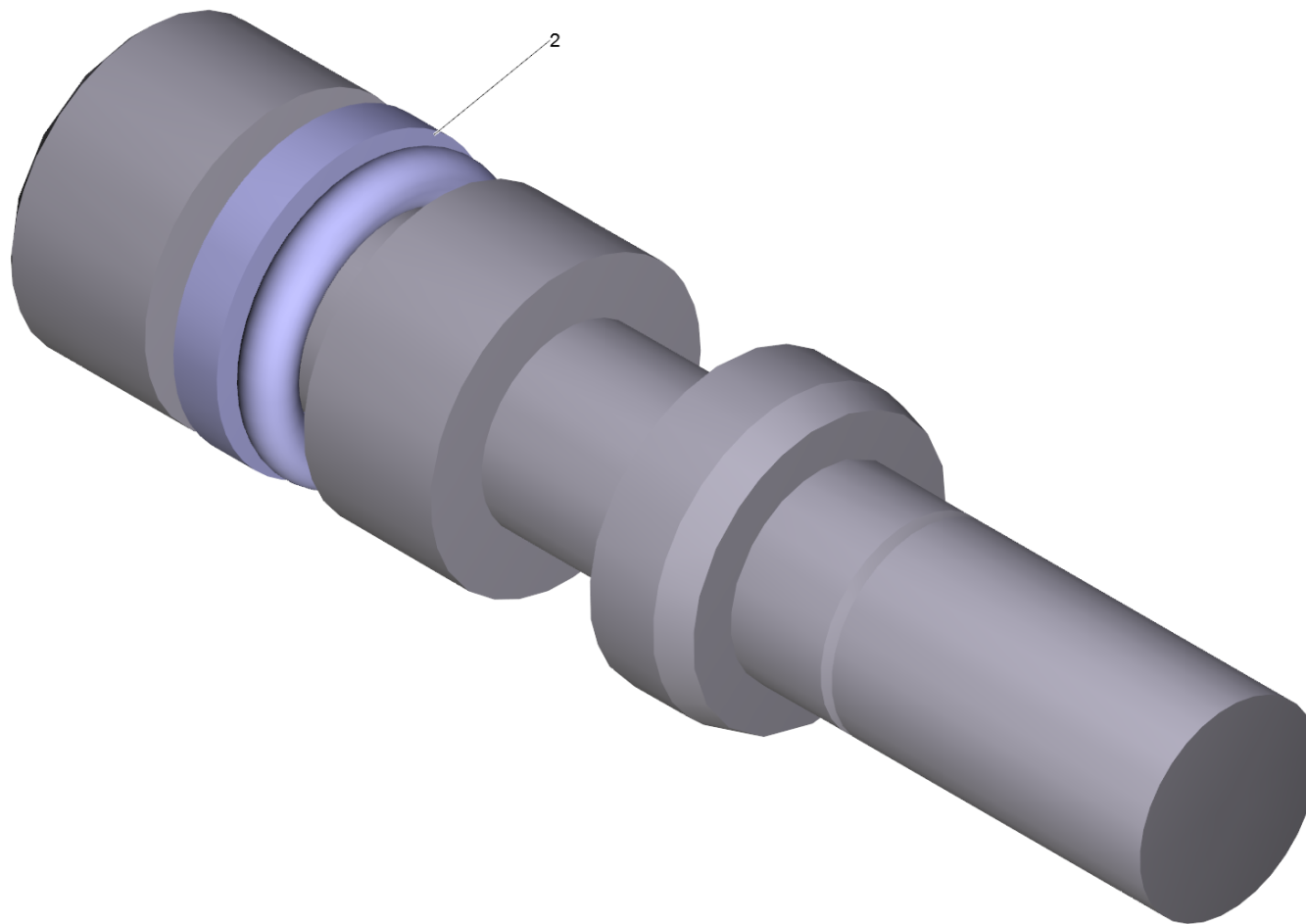
40 Cylinder head complete only for replacem (4.550-995.0)

POS	Preces Nr.	Apraksts	Quantity	Unit
3	6.362-386.0	Gredzenblīve 5,0 x 1,5-NBR 80	1.000	ST
2	5.581-239.0	Vārsta ligzda	1.000	ST



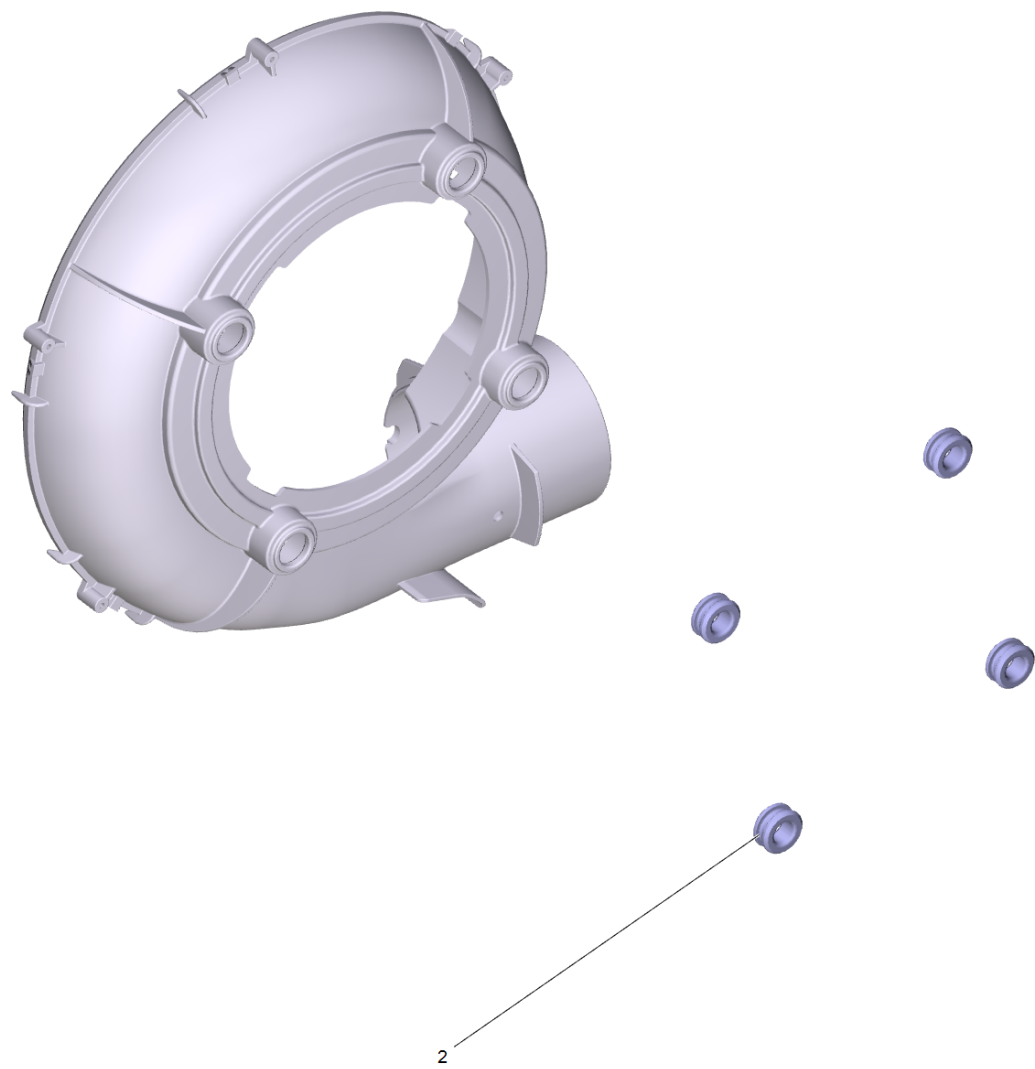
903 Valve (4.553-197.0)

POS	Preces Nr.	Apraksts	Quantity	Unit
2	6.363-037.0	Gredzenblīve, pilns komplekts 1ST.-R.	1.000	ST



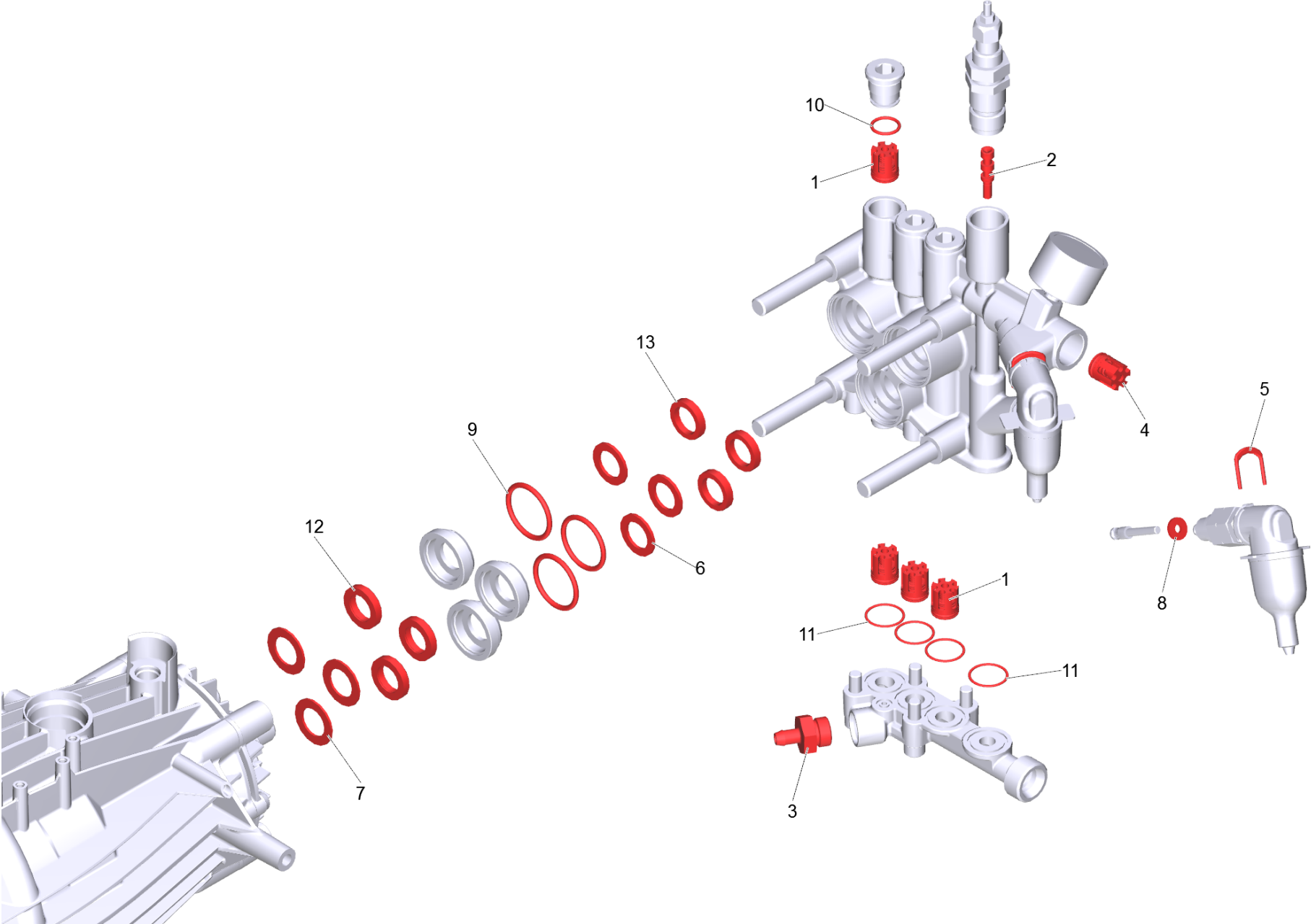
904 Piston complete only for replacement (4.553-198.0)

POS	Preces Nr.	Apraksts	Quantity	Unit
2	6.362-468.0	Gredzenblīve, pilns komplekts 1ST.-R.	1.000	ST



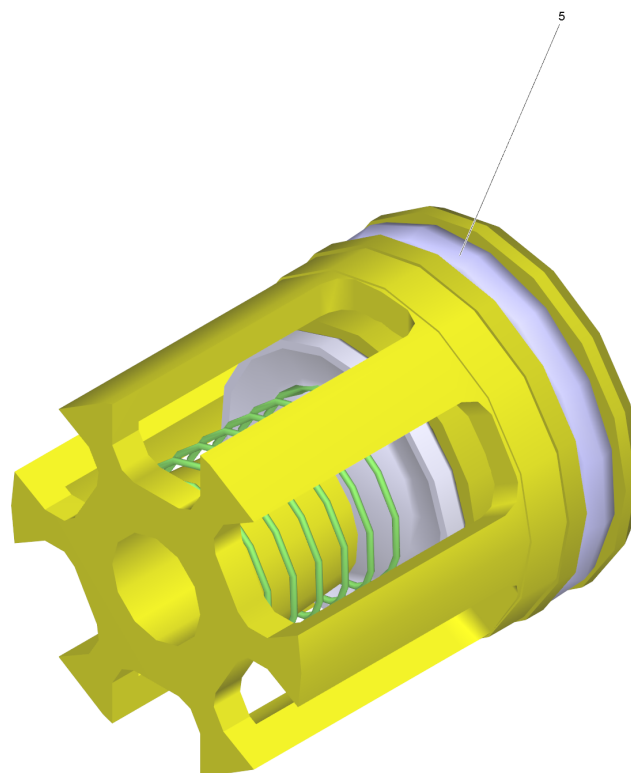
36 Housing blower complete (4.605-140.0)

POS	Preces Nr.	Apraksts	Quantity	Unit
2	5.379-019.0	rubber ring	4.000	ST



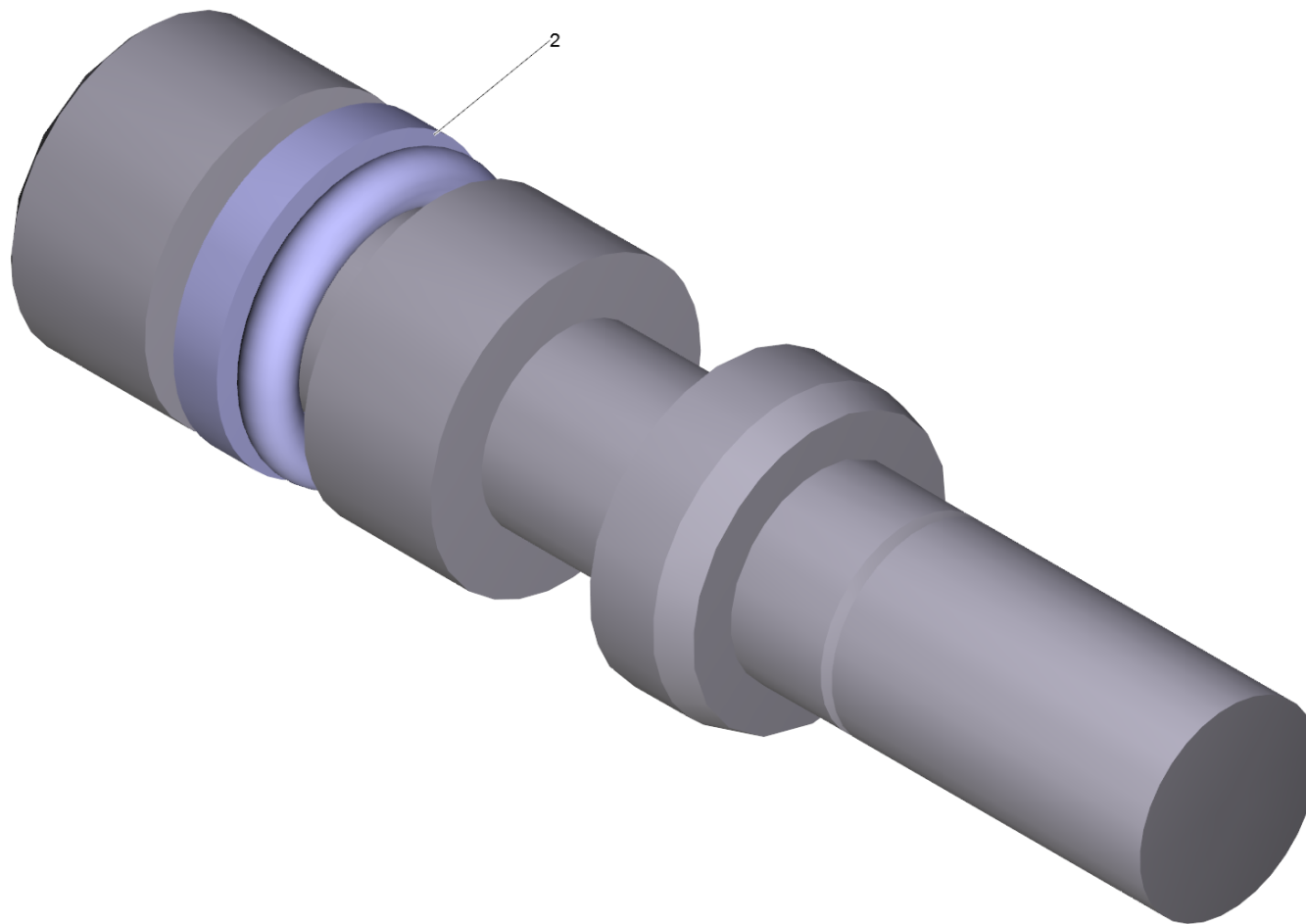
901 Pump set (2.884-008.0)

POS	Preces Nr.	Apraksts	Quantity	Unit
10	6.362-481.0	Gredzenblīve 14,0 x 2,0 NBR 80	3.000	ST
11	6.363-536.0	Gredzenblīve 21x1,5	4.000	ST
9	6.362-406.0	Gredzenblīve 33,05X 1,78-NBR 70	3.000	ST
13	6.365-333.0	Gredzens ar gropi 18X26X5,4	3.000	ST
12	6.365-332.0	Kompaktā blīve 18x28x5,8	3.000	ST
8	5.115-796.0	Paplāksne	2.000	ST
7	5.115-432.0	Paplāksne	3.000	ST
6	5.115-431.0	Paplāksne	3.000	ST
2	4.553-198.0	Piston complete only for replacement	1.000	ST
5	5.034-494.0	Retaining bracket	2.000	ST
3	4.580-581.3	Valve	1.000	ST
1	2.884-512.0	Valve (3 Stueck)	2.000	ST
4	4.580-594.0	Valve complete	1.000	ST



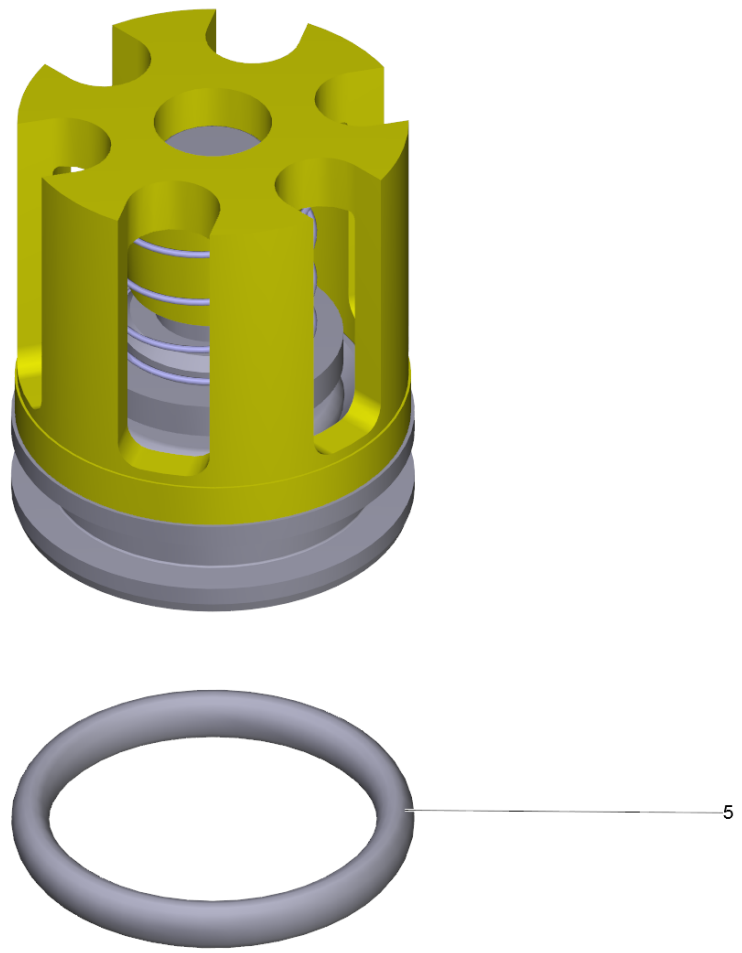
1 Valve (3 Stueck) (2.884-512.0)

POS	Preces Nr.	Apraksts	Quantity	Unit
5	6.363-003.0	Gredzenblīve 13,0 X 2,0-NBR 90	1.000	ST



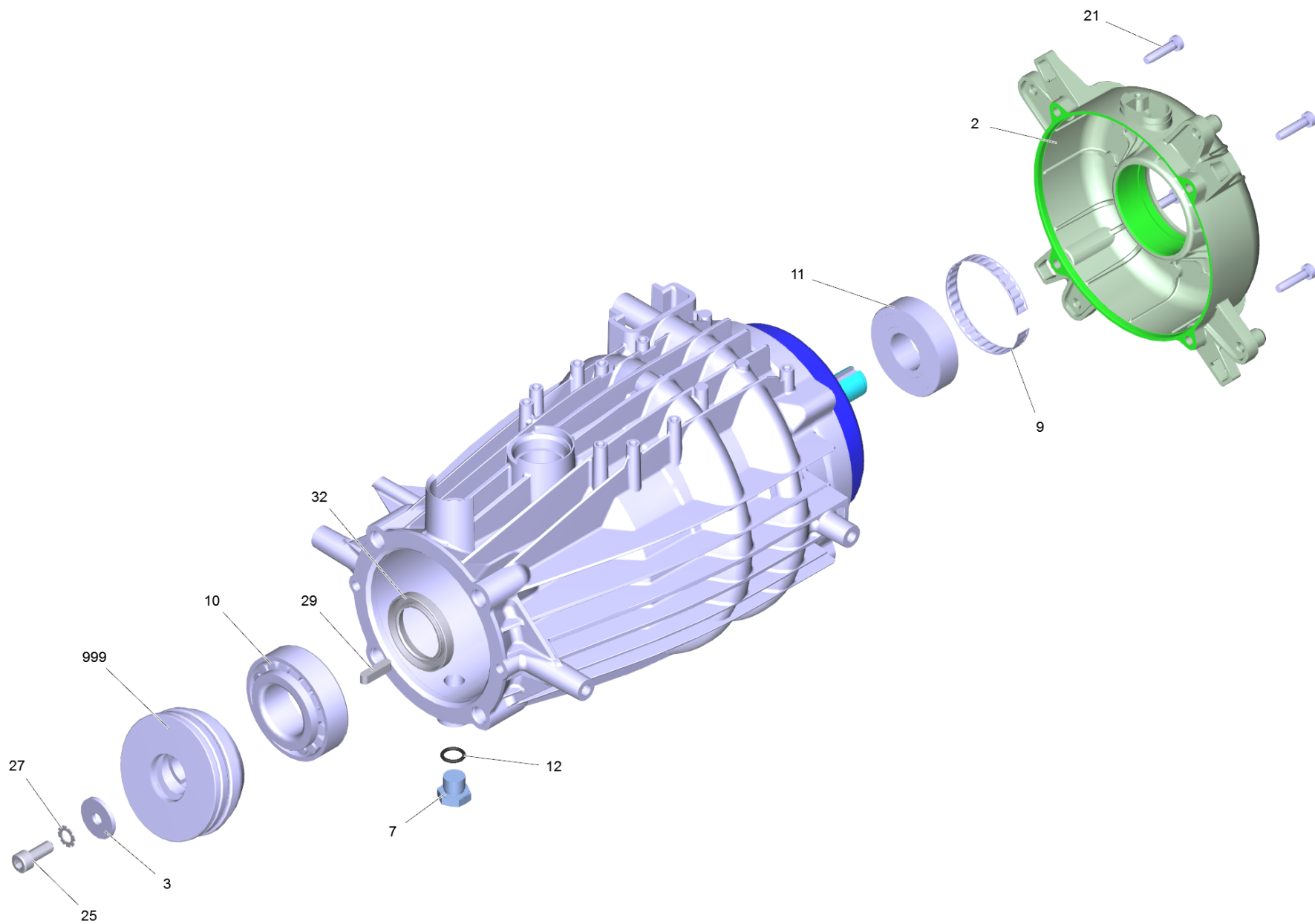
2 Piston complete only for replacement (4.553-198.0)

POS	Preces Nr.	Apraksts	Quantity	Unit
2	6.362-468.0	Gredzenblīve, pilns komplekts 1ST.-R.	1.000	ST



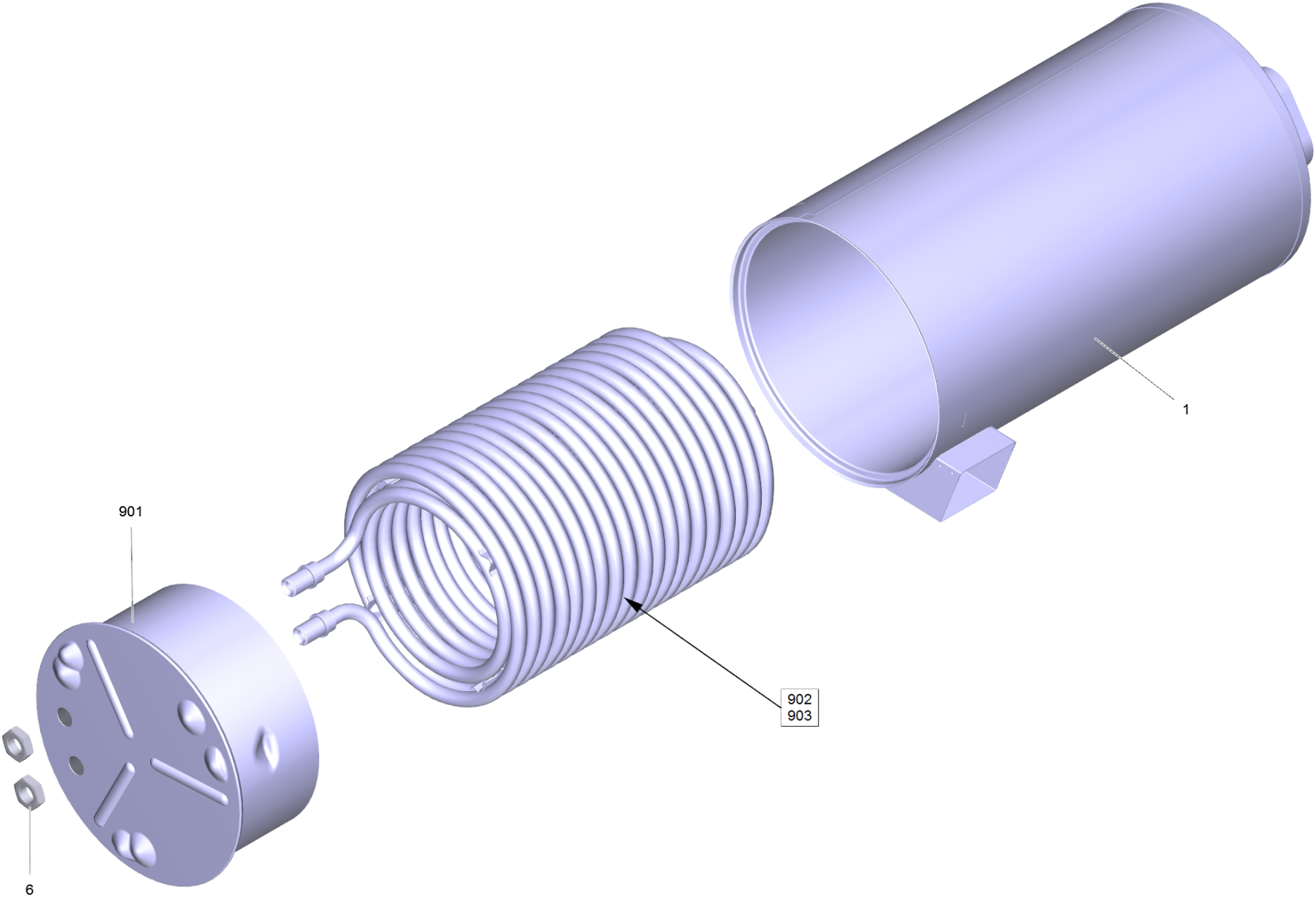
4 Valve complete (4.580-594.0)

POS	Preces Nr.	Apraksts	Quantity	Unit
5	6.362-381.0	Gredzenblīve 13x2 - NBR 70	1.000	ST



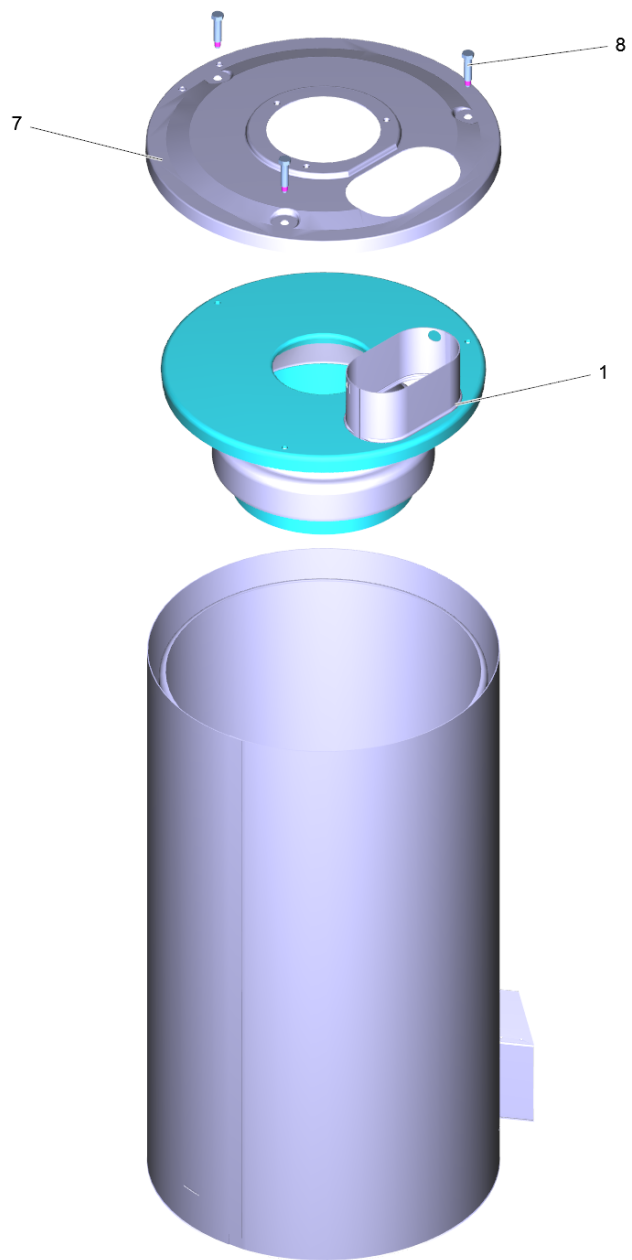
903 Motor complete nur fuer Ersatz (4.624-027.0)

POS	Preces Nr.	Apraksts	Quantity	Unit
2	5.061-186.0	Bearing cover B	1.000	ST
25	7.306-041.0	cylinder head screw	1.000	ST
11	6.401-253.0	Lodīšu gultnis 6305-2Z	1.000	ST
17	6.869-072.0	Metal bonding agent	0.001	ZST
9	6.343-010.0	Montāžas distancgredzens 62x10	1.000	ST
12	6.362-028.0	O-Ring seal 11x2,2 NBR 70	1.000	ST
29	7.318-030.0	Parallel key 6x6x25 -C45R DIN 6885-1	1.000	ST
7	5.411-100.0	screw plug	1.000	ST
21	6.303-515.0	Self-tapping screw M6x25	4.000	ST
10	6.401-405.0	taper roller bearing	1.000	ST
27	7.312-159.0	toothed lock washer	1.000	ST
32	7.367-009.0	Vārpstas blīvslēgs A35x52x7-NBR DIN	1.000	ST
3	5.115-565.0	washer	1.000	ST
999	4.120-247.0	Wobble plate complete only for replaceme	1.000	ST



7 Boiler

POS	Preces Nr.	Apraksts	Quantity	Unit
901	4.655-044.0	Bottom pressure boiler	1.000	ST
903	4.680-135.0	Heating coil	1.000	ST
902	4.680-114.0	Heating coil VA	1.000	ST
6	7.311-155.0	hexagon nut	2.000	ST
1	4.652-147.0	Outer covering complete	1.000	ST

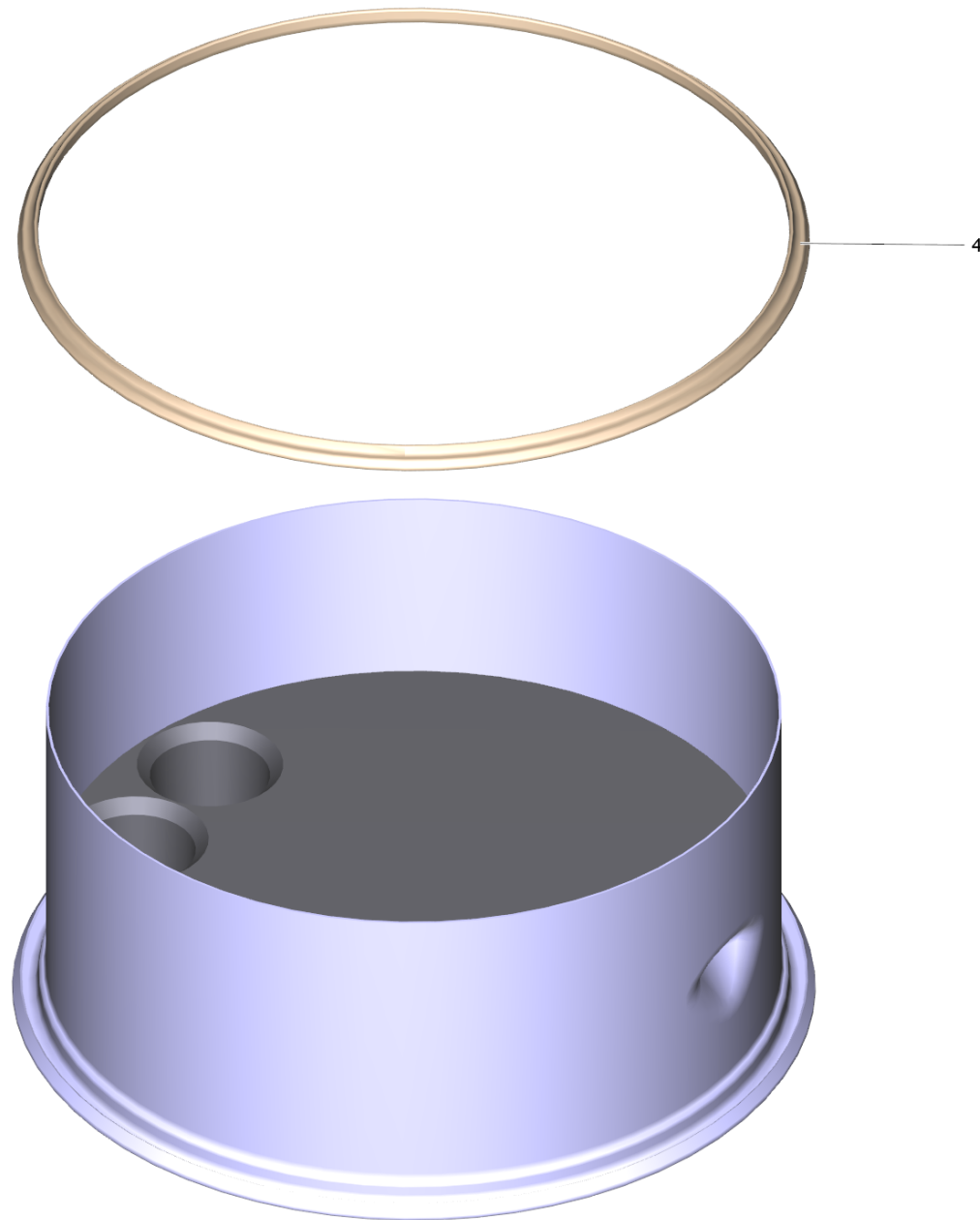


1 Outer covering complete (4.652-147.0)

POS	Preces Nr.	Apraksts	Quantity	Unit
1		Burner cage	1.000	ST
7	5.654-051.0	Cover pressure boiler	1.000	ST
8	6.303-258.0	Self-tapping screw	3.000	ST

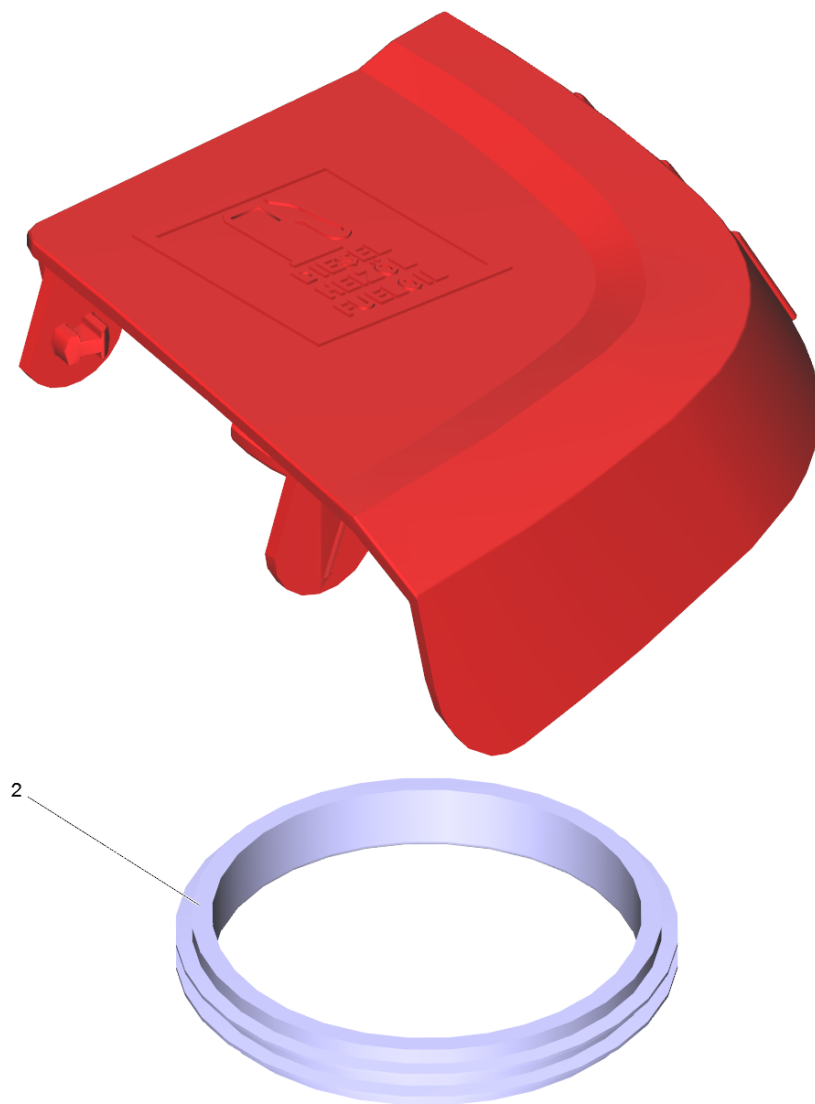
1 Burner cage

POS	Preces Nr.	Apraksts	Quantity	Unit
1	4.663-131.0	Burner cage	1.000	ST



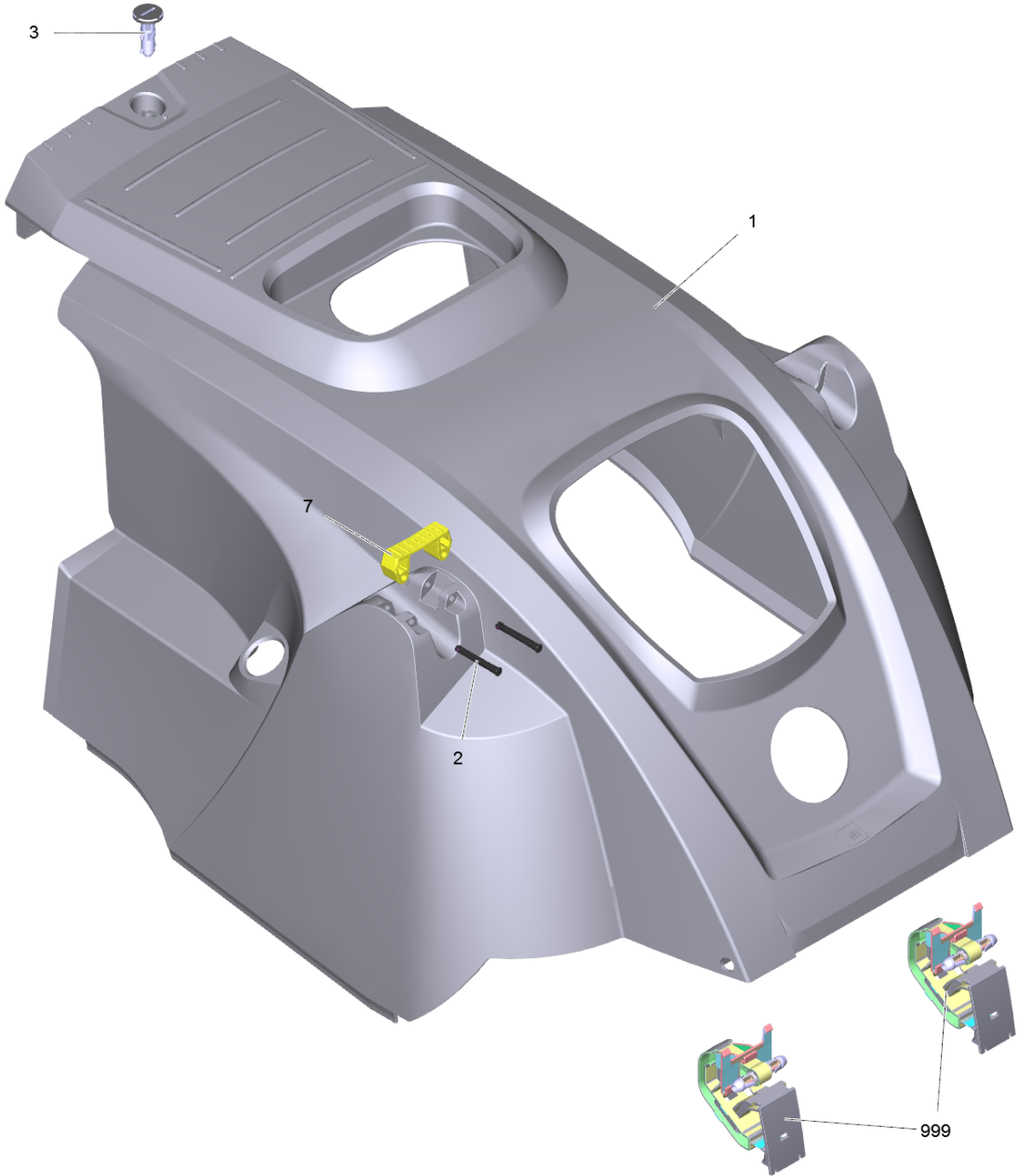
901 Bottom pressure boiler (4.655-044.0)

POS	Preces Nr.	Apraksts	Quantity	Unit
4	6.366-009.0	Blīvējoša aukla	1.000	ST
6	6.869-024.0	Quick-bonding agent	0.004	ZST



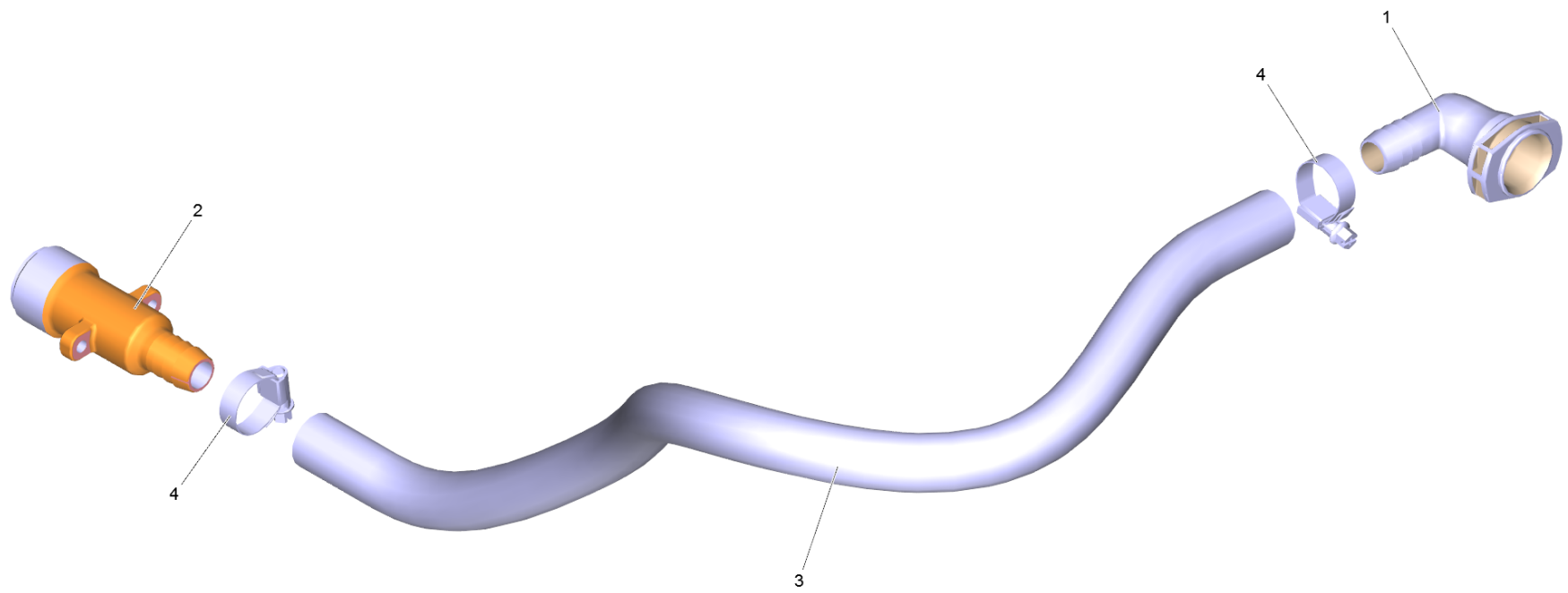
12 Cover fuel complete (4.064-021.0)

POS	Preces Nr.	Apraksts	Quantity	Unit
2	5.363-300.0	Joint ring	1.000	ST



16 Device cover complete

POS	Preces Nr.	Apraksts	Quantity	Unit
3	5.317-765.0	Bolt closure cover	1.000	ST
1	5.069-386.0	Device cover Grau HDS-C Neu	1.000	ST
7	5.424-162.0	Fixing jet pipe	1.000	ST
2	5.314-143.0	Pin fixing jet pipe	2.000	ST
999	2.885-272.0	Spare part set hinge cover	1.000	ST

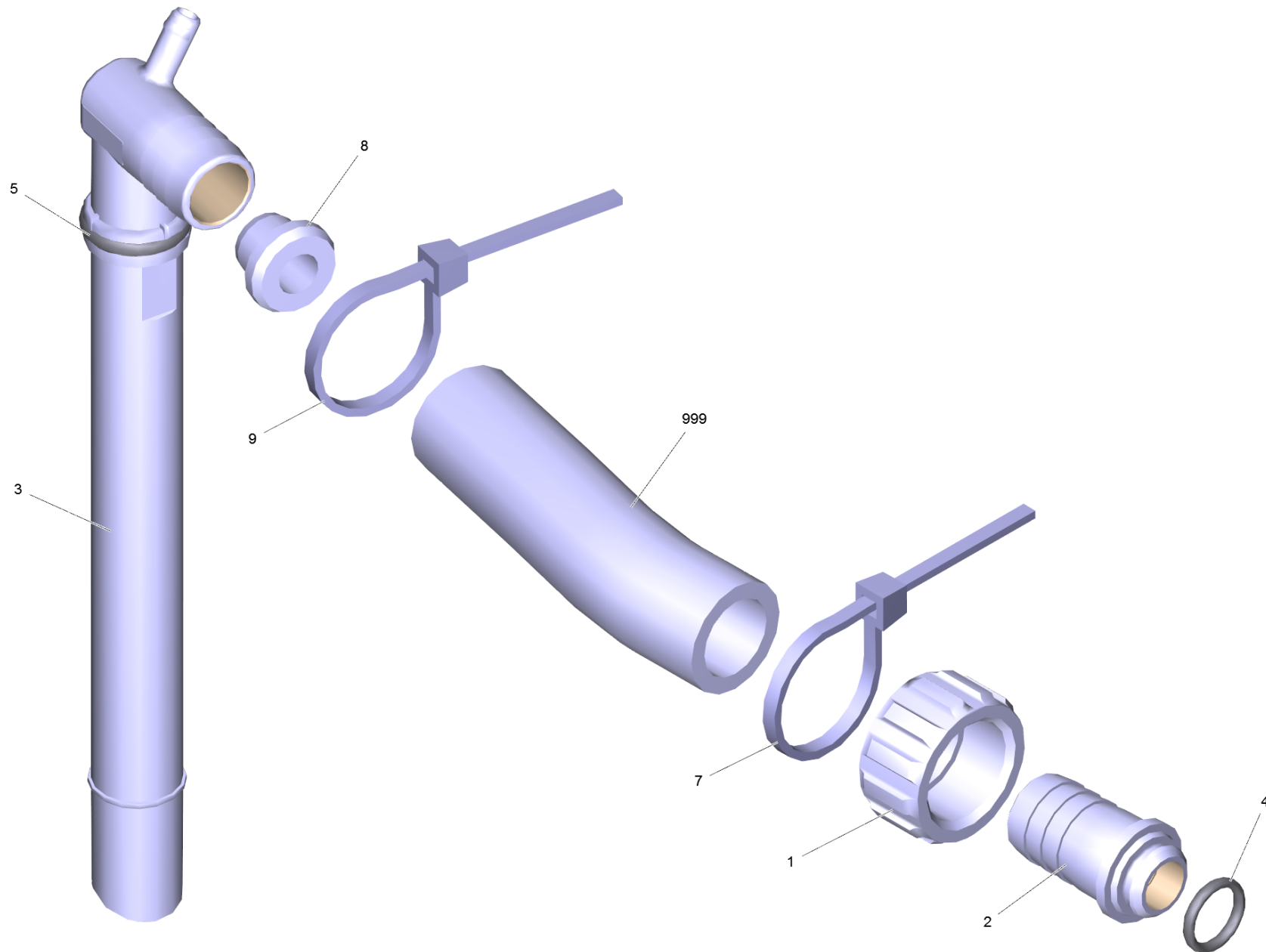


22 Hose intake

POS	Preces Nr.	Apraksts	Quantity	Unit
2	5.427-432.0	Caurulvads	1.000	ST
4	7.373-022.0	Hose clip	2.000	ST
3		Piece of tube	1.000	ST
1	5.427-415.0	Sazarojuma detaļa	1.000	ST

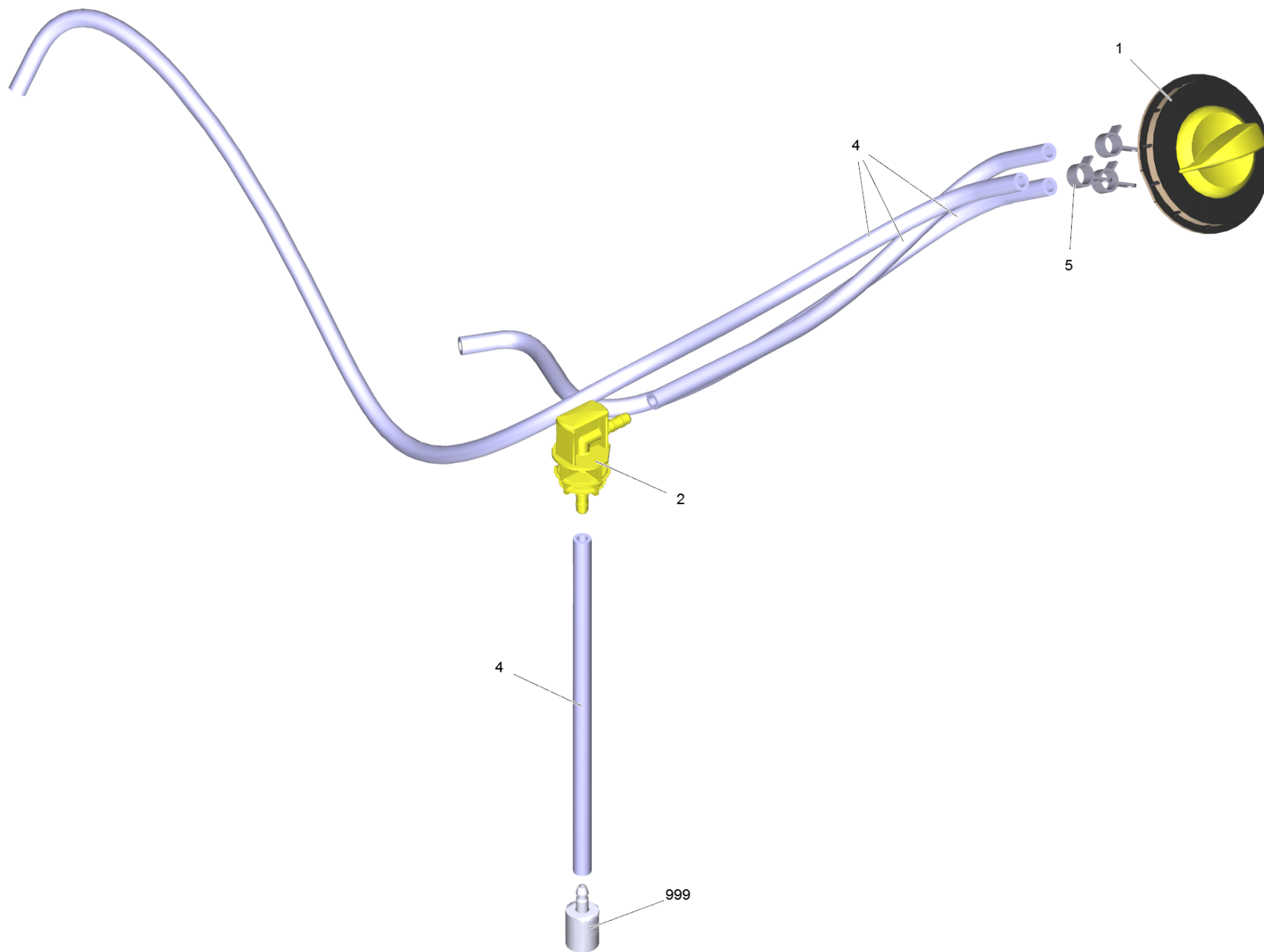
3 Piece of tube

POS	Preces Nr.	Apraksts	Quantity	Unit
1	6.388-719.0	Hose DN17	0.695	M



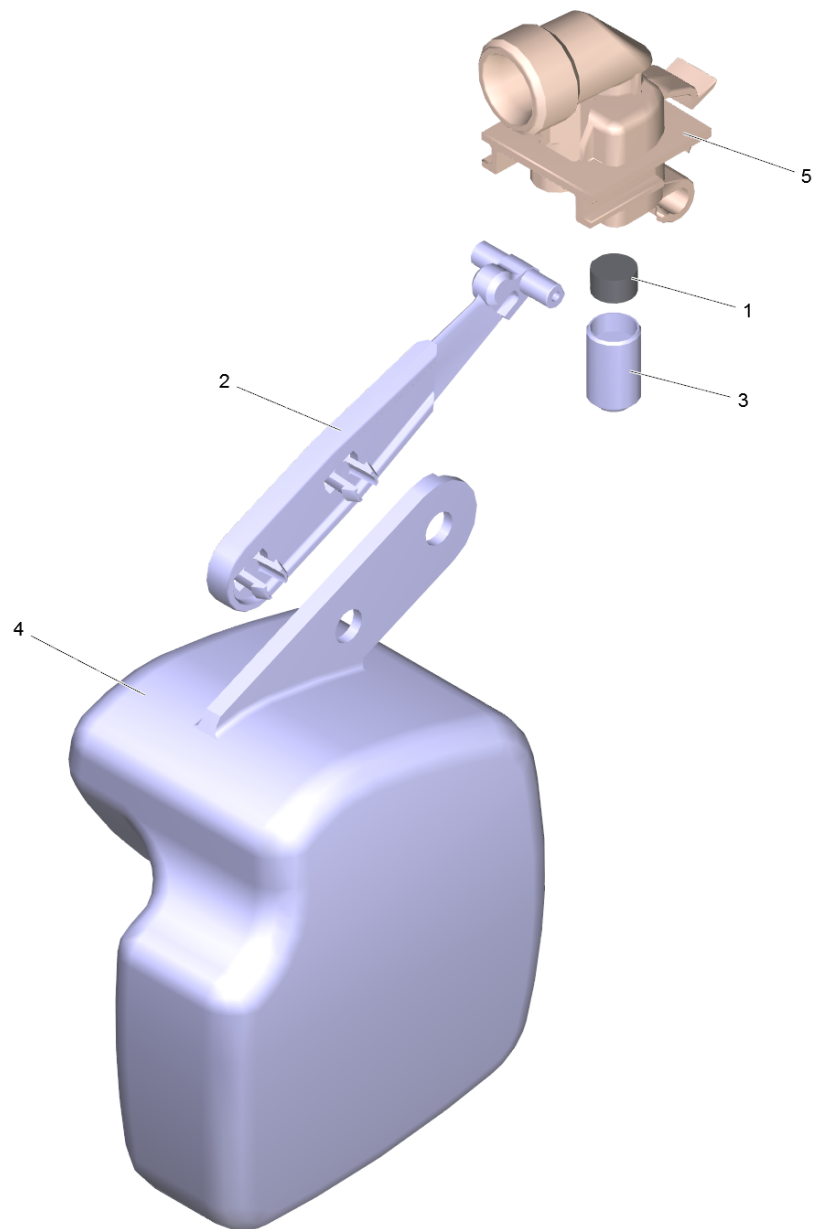
24 Hose pump

POS	Preces Nr.	Apraksts	Quantity	Unit
8	5.112-411.0	Bush	1.000	ST
4	6.362-078.0	Gredzenblīve 13,3x2,4	1.000	ST
5	6.362-161.0	Gredzenblīve 19,3 X 2,4	1.000	ST
2	5.443-312.0	Hose stem	1.000	ST
7	6.641-474.0	Kabeļu aptvere 8-210	2.000	ST
1	5.310-167.0	Nut G 3/4"	1.000	ST
999	6.391-612.0	Piece of tube only for replacement	1.000	ST
3	5.443-553.0	Savienojums	1.000	ST



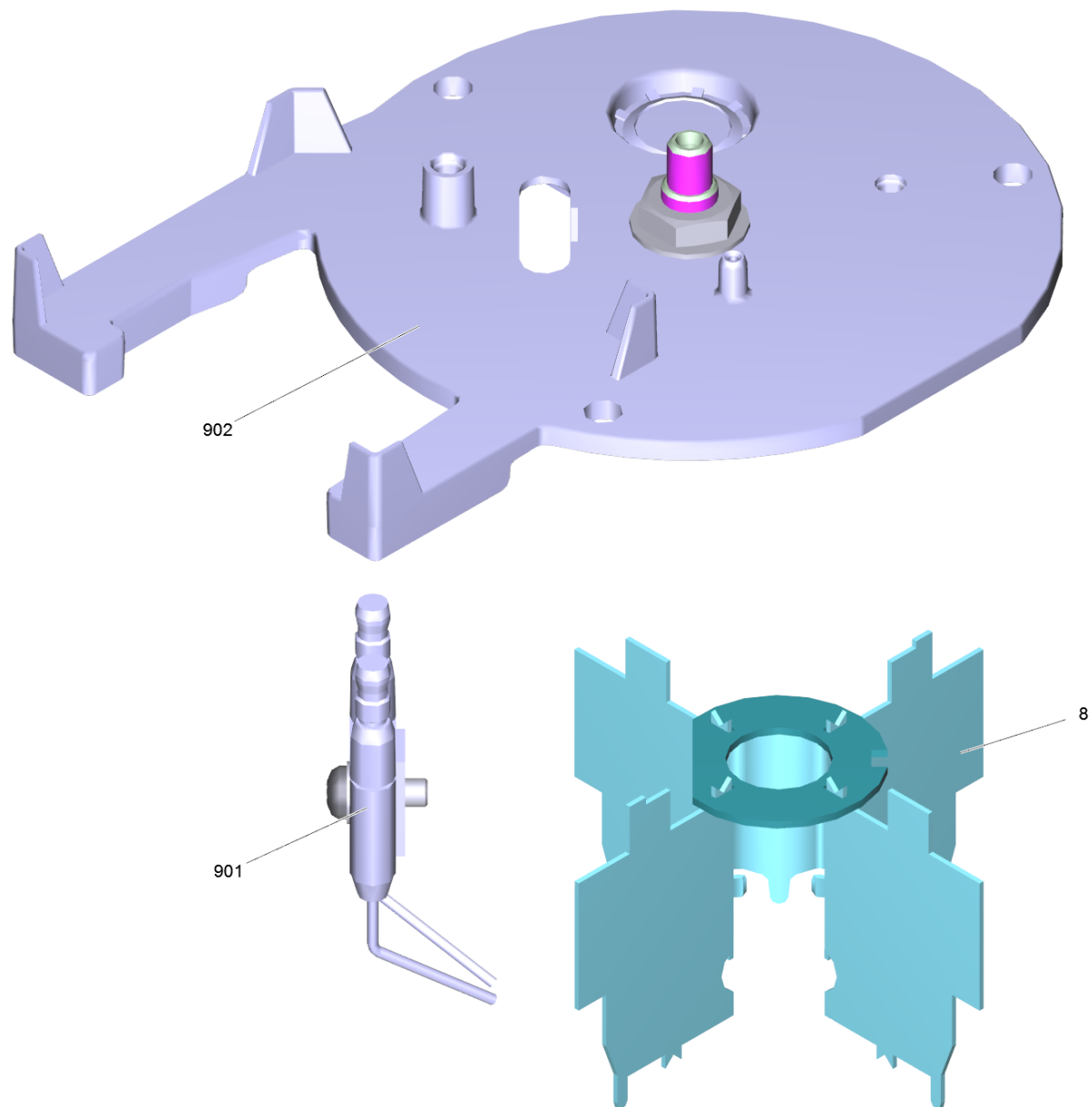
29 Valve cleaning agents complete

POS	Preces Nr.	Apraksts	Quantity	Unit
999	5.731-652.0	Filtrs ar atsvariņu	1.000	ST
5	6.388-559.0	Hose clip	3.000	ST
2	5.132-195.0	Plug aspiration chemistry	1.000	ST
1	4.063-873.0	Proportioning valve chemistry	1.000	ST
4	6.391-341.0	Tīrīšanas līdzekļa šļūtene DN 6 modelim	2.120	M



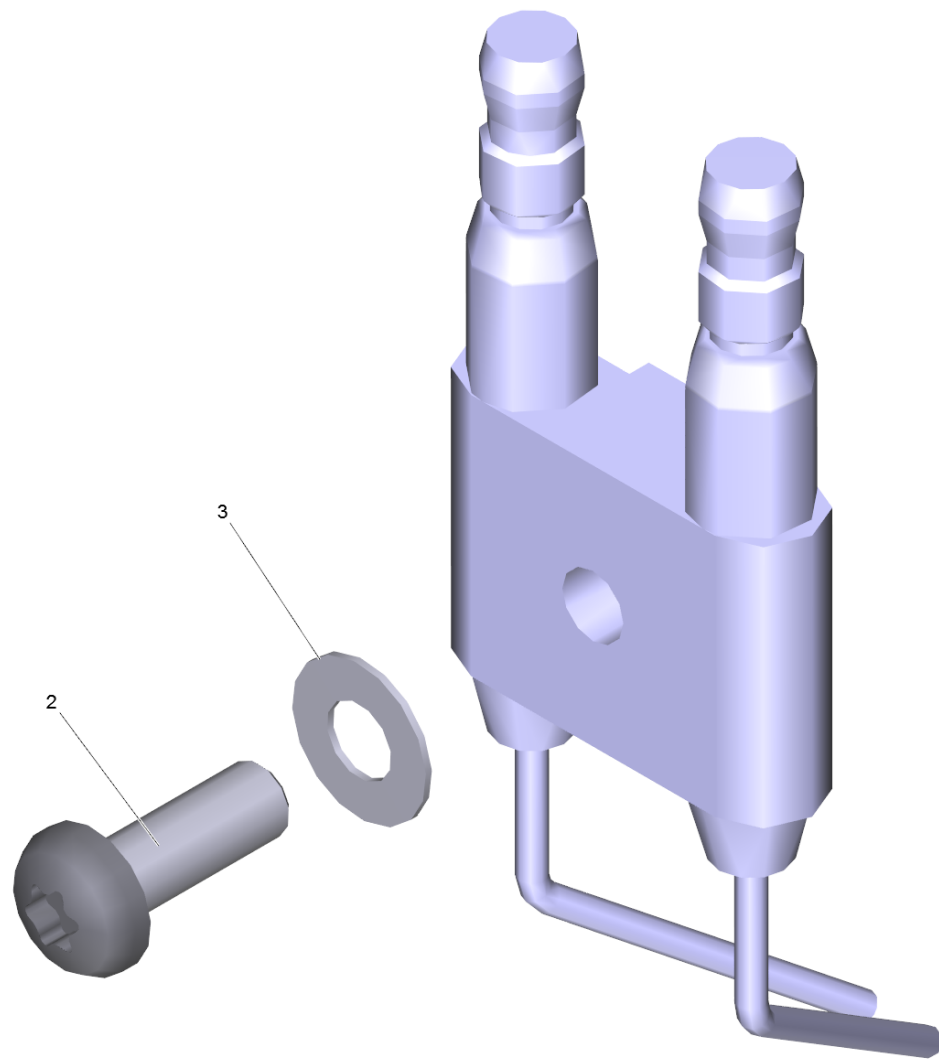
30 Float valve

POS	Preces Nr.	Apraksts	Quantity	Unit
4	5.585-055.0	Float	1.000	ST
1	5.364-095.0	Plakana blīve	1.000	ST
2	5.481-256.0	Svira	1.000	ST
3	5.584-085.0	Vārsta ass	1.000	ST
5	5.587-214.0	Vārsta korpuss	1.000	ST



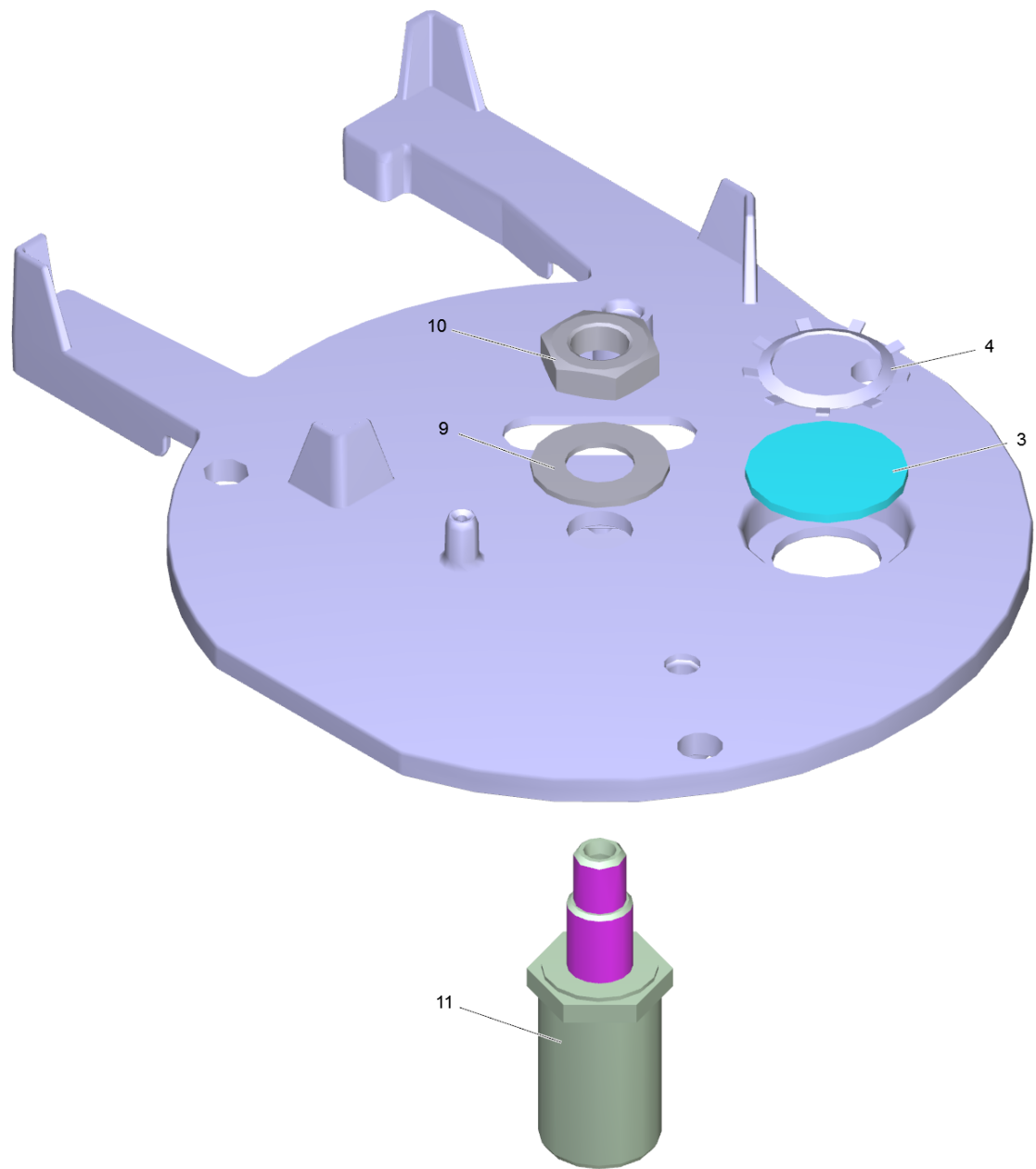
31 Cover pressure boiler

POS	Preces Nr.	Apraksts	Quantity	Unit
8	4.663-073.0	Burner cage	1.000	ST
901	2.638-974.0	Conversion kit ignition electrode	1.000	ST
902	4.654-288.0	Cover pressure boiler only for replaceme	1.000	ST



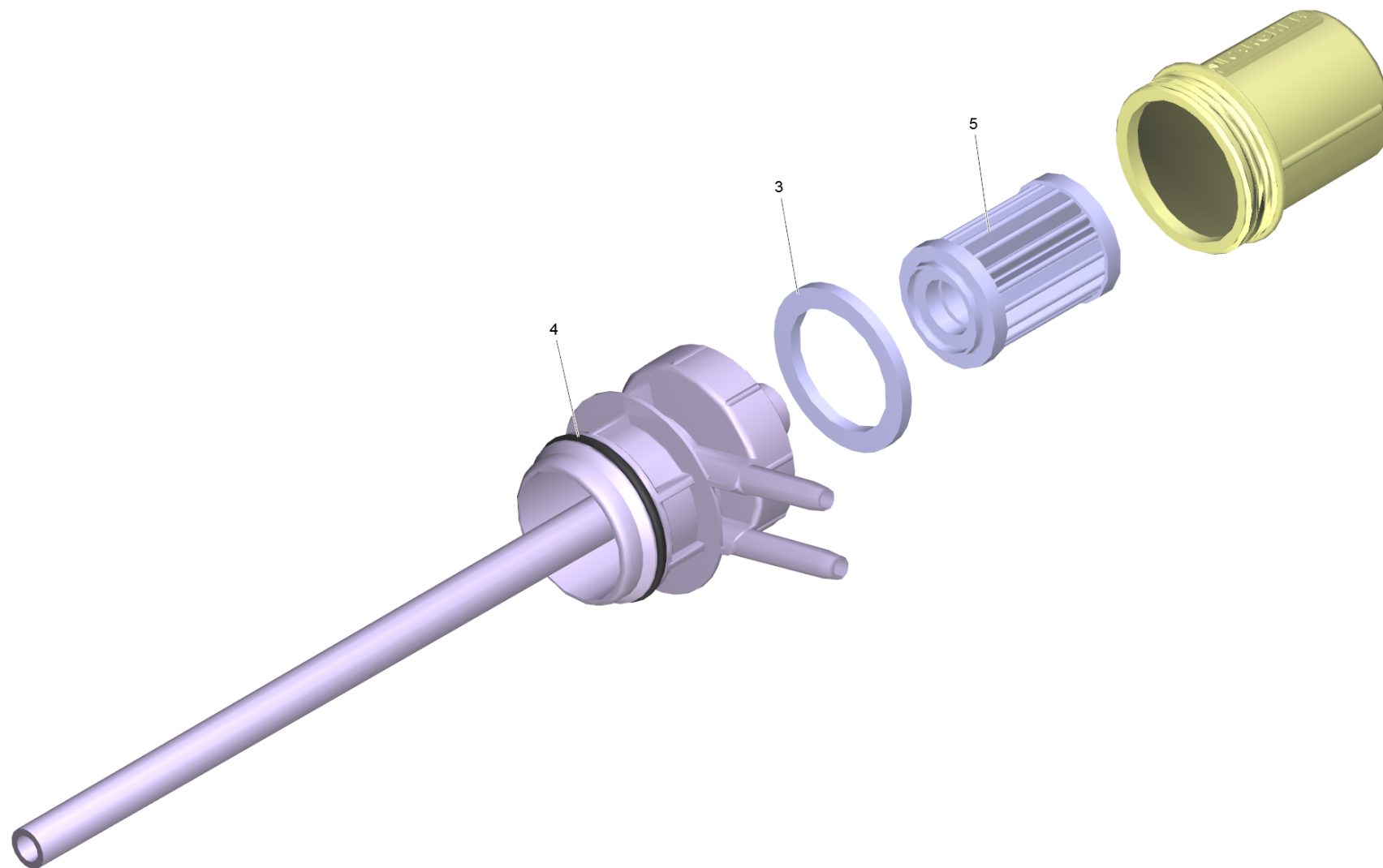
901 Conversion kit ignition electrode (2.638-974.0)

POS	Preces Nr.	Apraksts	Quantity	Unit
2	7.306-217.0	Screw M5x14 -8.8-R2R (In6Rd)	1.000	ST
3	7.312-304.0	Spring washer B 5-FST-A2E DIN 137	1.000	ST



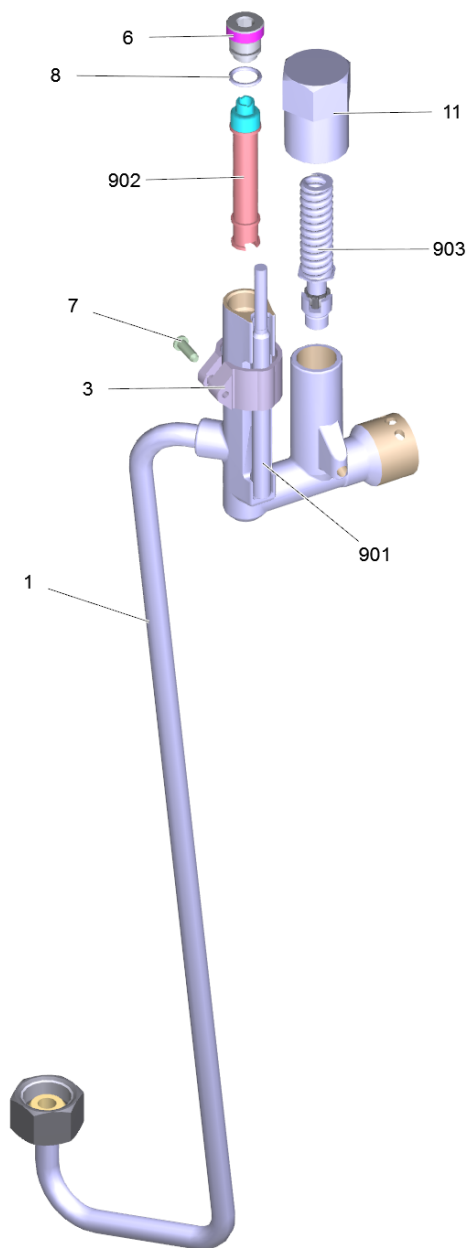
902 Cover pressure boiler only for replaceme (4.654-288.0)

POS	Preces Nr.	Apraksts	Quantity	Unit
10	7.311-101.0	Hexagon nut	1.000	ST
4	6.343-165.0	Serrated ring	1.000	ST
11	5.667-055.0	Sprauslas turētājs	1.000	ST
9	7.312-302.0	Spring washer	1.000	ST
3	6.278-018.0	Stikls	1.000	ST



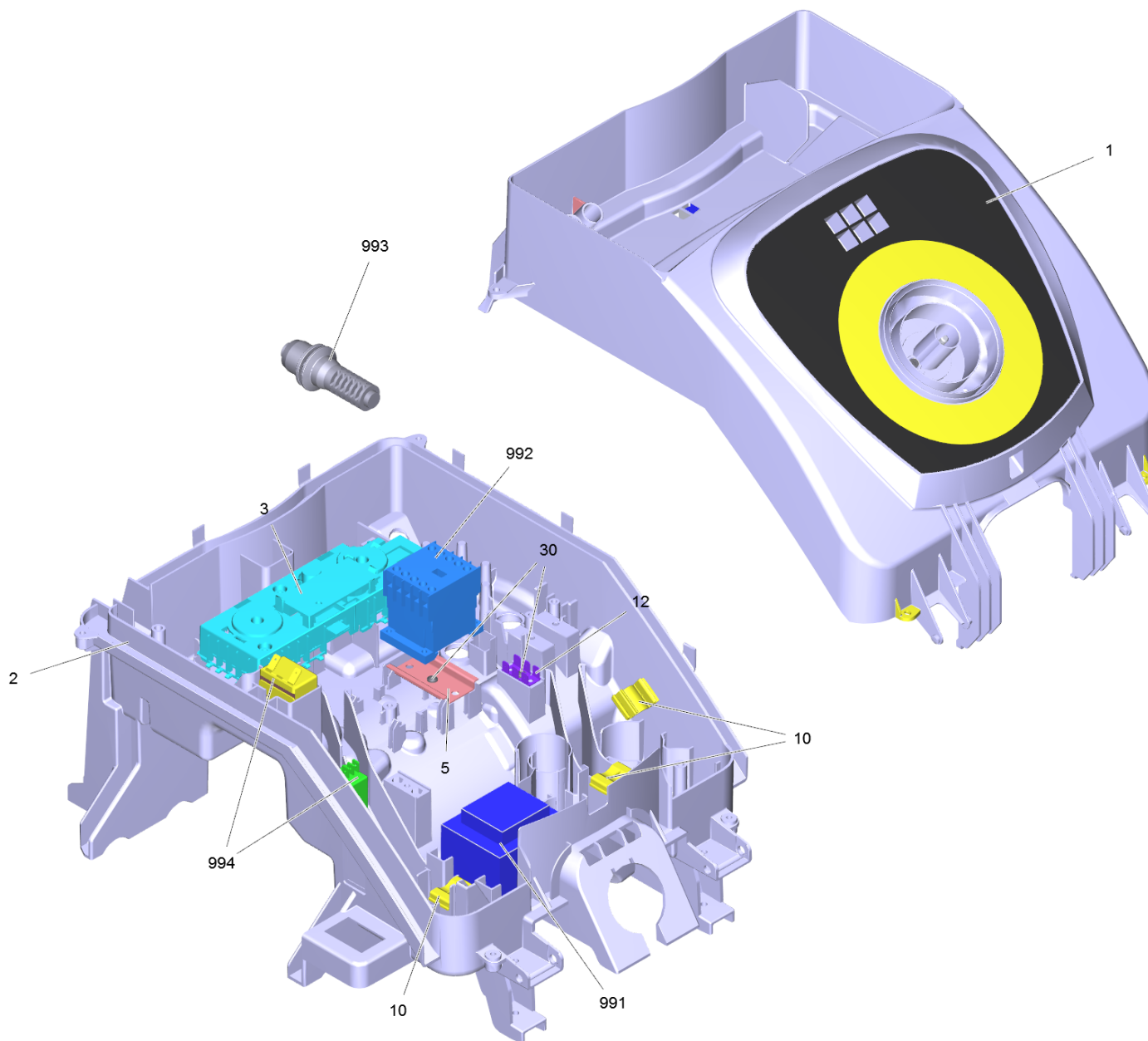
35 Filter complete fuel (4.730-163.0)

POS	Preces Nr.	Apraksts	Quantity	Unit
3	5.363-629.0	Blīve	1.000	ST
5	6.414-559.0	Degvielas filtrs	1.000	ST
4	6.363-579.0	O-Ring seal 35 x 2,5	1.000	ST



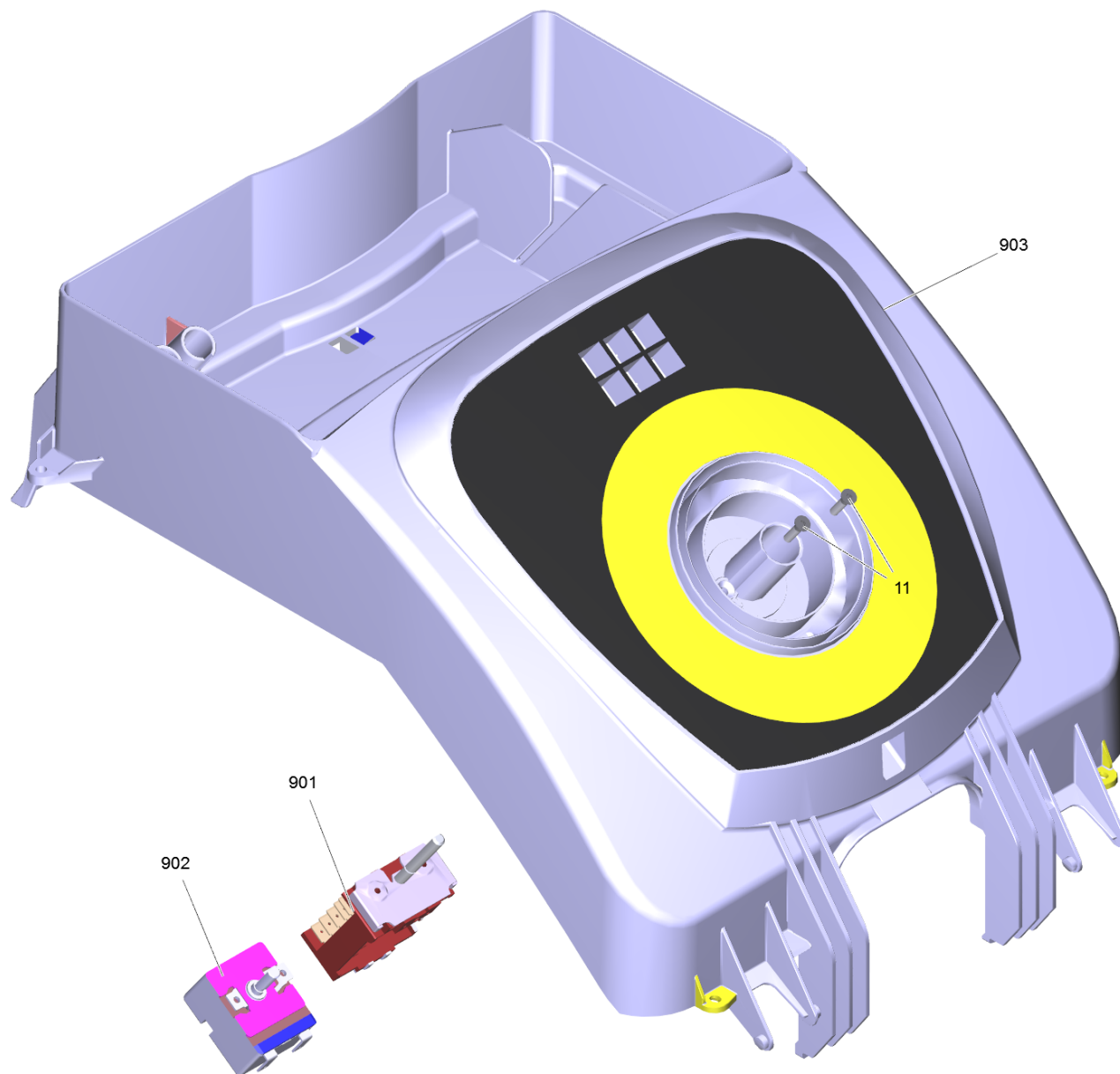
42 Safety system

POS	Preces Nr.	Apraksts	Quantity	Unit
11	5.304-116.0	Adjusting screw	1.000	ST
902	4.551-058.0	Cartridge protection from 4.553-303.0	1.000	ST
3	5.041-076.0	Clamp	1.000	ST
6	5.305-162.0	Formas skrūve	1.000	ST
8	6.362-482.0	Gredzenblīve 10 x 1,5-NBR 70	1.000	ST
7	6.303-122.0	M4	1.000	ST
1	4.427-354.0	Manifold complete	1.000	ST
15	6.869-067.0	Metal bonding agent	0.002	ZST
901	2.885-051.0	Reed switch	1.000	ST
903	4.580-782.0	Safety valve only for replacement	1.000	ST



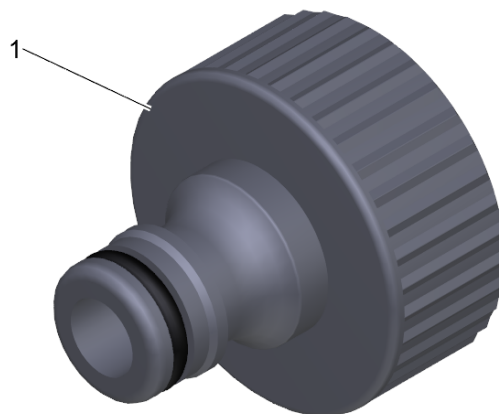
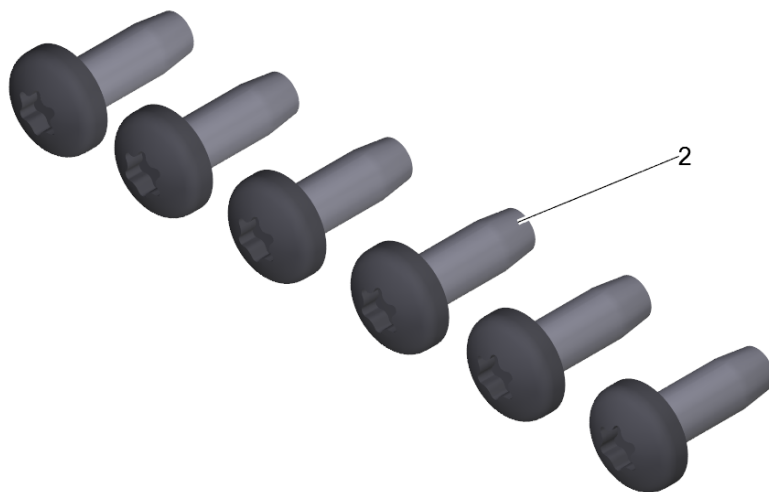
48 Electric control box complete

POS	Preces Nr.	Apraksts	Quantity	Unit
35	6.641-458.0	Cable tape	1.000	ST
36	6.641-463.0	Cable tape	2.000	ST
993	4.649-060.0	Connection cable complete only for repla	1.000	ST
992	4.632-002.0	Contactora -nur fuer Ersatz-	1.000	ST
1		Control panel complete	1.000	ST
991	4.622-023.0	Control transformer complete only for re	1.000	ST
3	4.051-148.3	Frame platine	1.000	ST
10	5.802-307.0	Holder cable	3.000	ST
5	5.802-261.0	Mounting part	1.000	ST
2	5.801-004.0	Mounting plate	1.000	ST
12	6.641-270.0	Plug	1.000	ST
30	7.303-106.0	Skrūve 4x12 -10.9-R2R (IN6RD)	2.000	ST
994	4.686-020.0	Thermostat complete only for replacement	1.000	ST



1 Control panel complete

POS	Preces Nr.	Apraksts	Quantity	Unit
903	4.841-375.0	Control panel complete only for replacem	1.000	ST
11	7.305-019.0	Countersunk screw M4x16 -8.8-R2R (In6Rd	2.000	ST
901	4.630-002.0	Switch program selection only for replac	1.000	ST
902	4.686-021.0	Thermostat complete only for replacement	1.000	ST

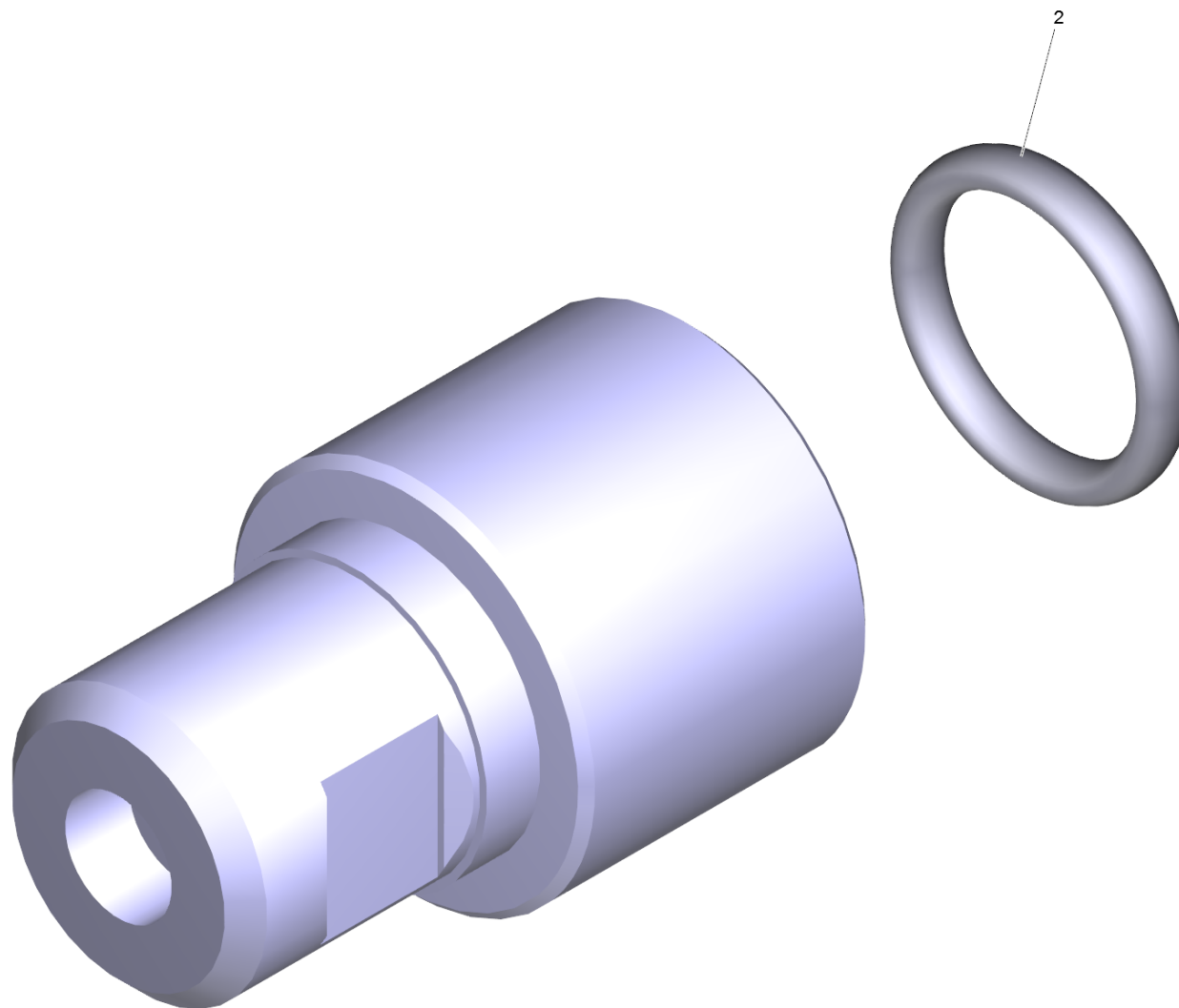


52 Set mounting parts

POS	Preces Nr.	Apraksts	Quantity	Unit
2	7.303-047.0	Screw M6x16 -St-R3R (In6Rd)	6.000	ST
1	6.645-216.0	Tap adaptor complete G1"	1.000	ST

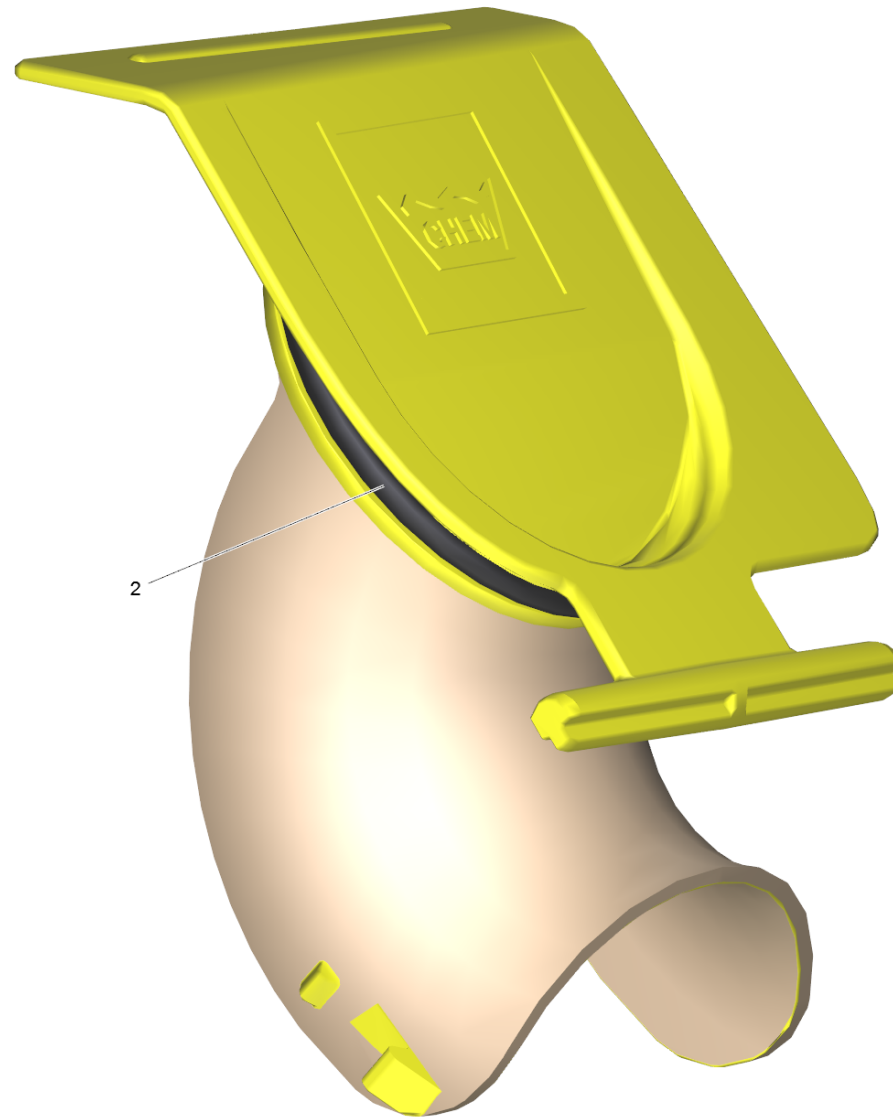
97 Piece of tube

POS	Preces Nr.	Apraksts	Quantity	Unit
1	6.391-820.0	Hose	0.180	M



901 Power nozzle TR 25043 (2.113-008.0)

POS	Preces Nr.	Apraksts	Quantity	Unit
2	2.880-001.0	Spare part set seals TR	1.000	ST

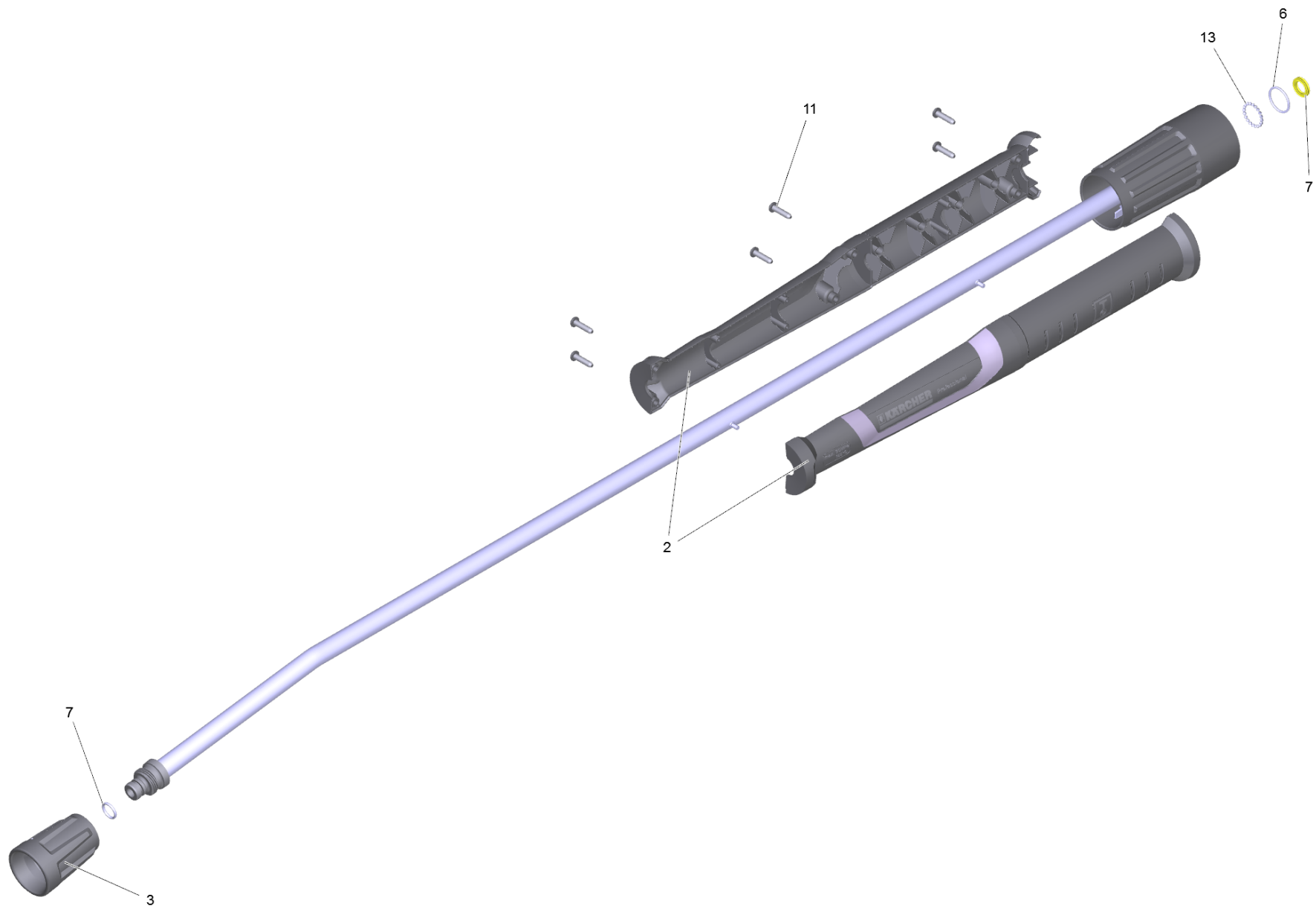


905 Cover (4.064-029.0)

POS	Preces Nr.	Apraksts	Quantity	Unit
2	6.363-564.0	O-Ring seal 65x4 NBR	1.000	ST

906 Jet pipe TR 1050 mm (4.112-000.0)

POS	Apraksts	Quantity	Unit
1	Jet pipe TR 1050 mm	1.000	ST

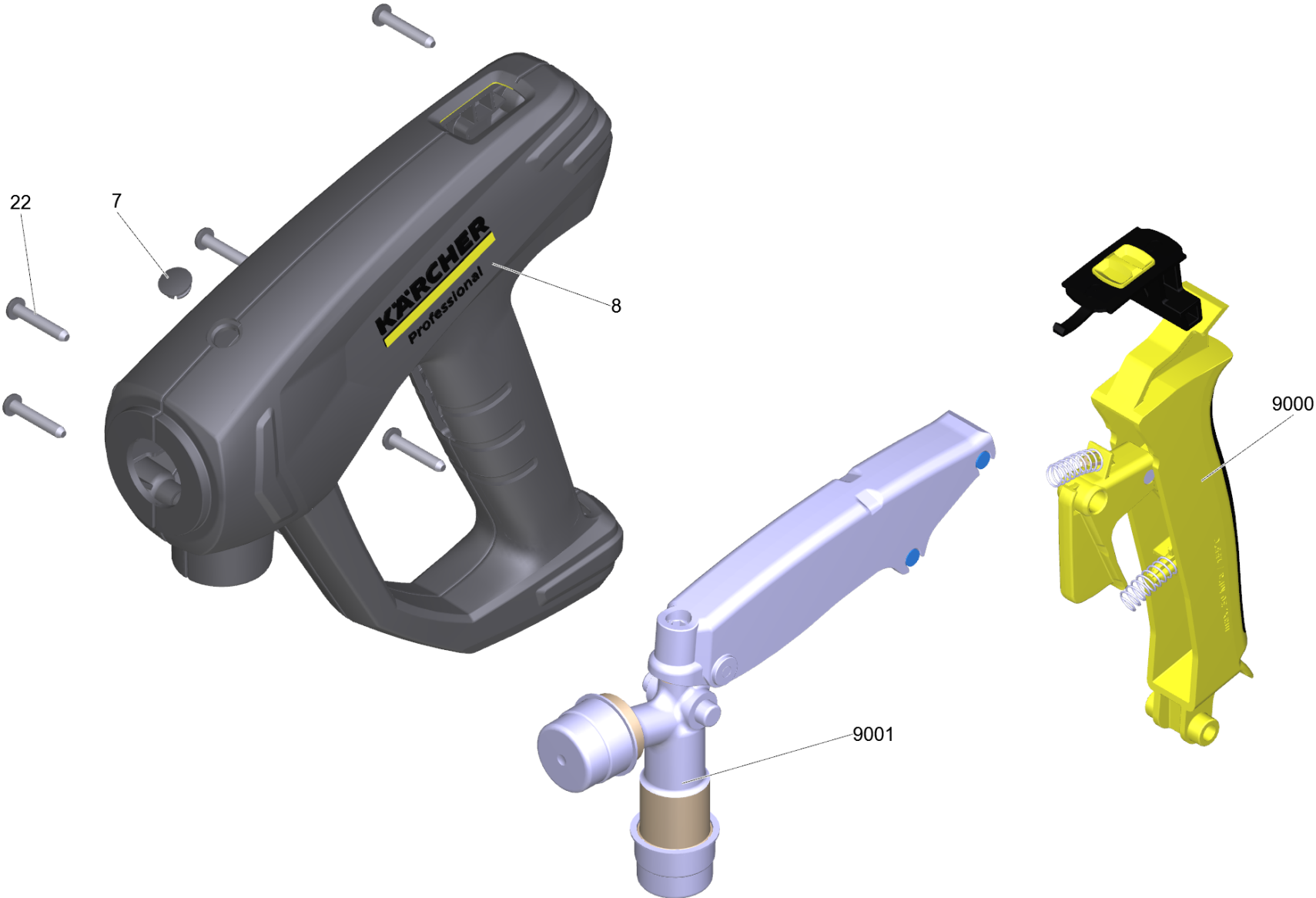


1 Jet pipe TR 1050 mm

POS	Preces Nr.	Apraksts	Quantity	Unit
2	5.321-018.3	Handle bowl jet pipe only for replacemen	1.000	ST
6	6.362-067.0	O-Ring seal 16,1x1,6	1.000	ST
3	4.112-011.0	Protection part TR only for replacement	1.000	ST
13	7.401-915.0	Sfēra 2,5 G20 -1.4034 DIN 5401	20.000	ST
11	7.303-129.0	Skrūve 4x16 -10.9-R2R (K-In6Rd)	6.000	ST
7	2.880-001.0	Spare part set seals TR	1.000	ST

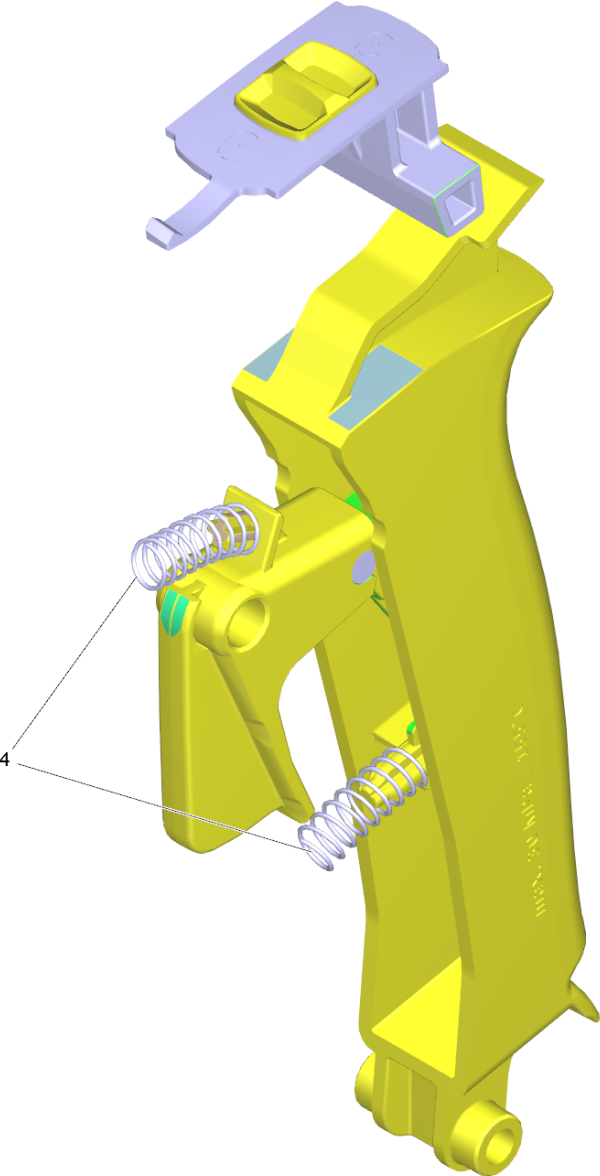
908 EASY!Force Advanced (4.118-005.0)

POS	Apraksts	Quantity	Unit
1	Hand trigger gun TR EH 155	1.000	ST



1 Hand trigger gun TR EH 155

POS	Preces Nr.	Apraksts	Quantity	Unit
8	5.321-136.3	Handhold few EH 155 only for replacement	1.000	ST
9001	4.427-014.0	Manifold TR EH 155 nur fuer Ersatz	1.000	ST
7	5.132-001.0	Plug	1.000	ST
22	7.303-096.0	Skrūve 4x22 -ST-10.9-R2R (IN6RD)	7.000	ST
9000	2.885-483.0	Spare part set lever	1.000	ST

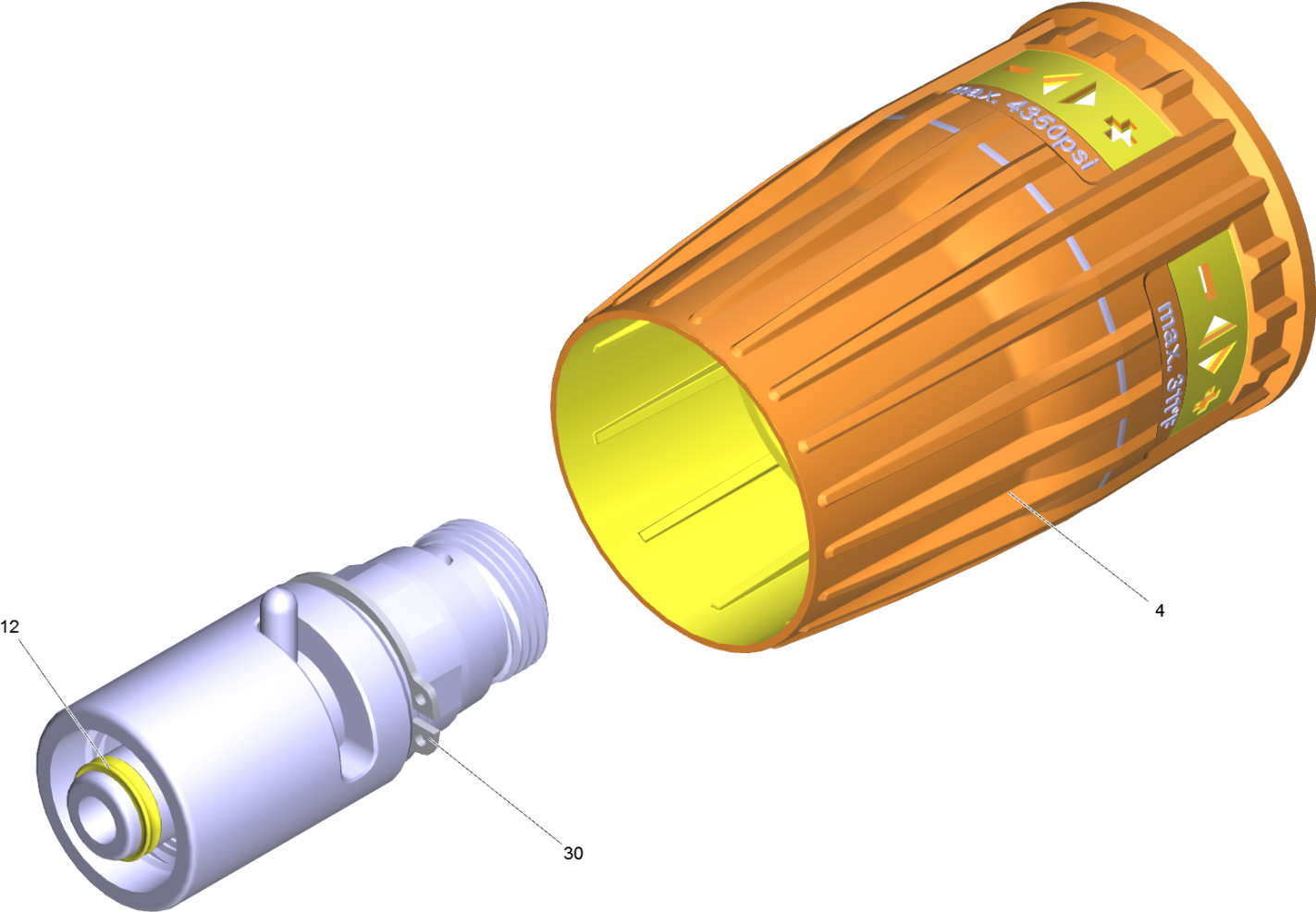


9000 Spare part set lever (2.885-483.0)

POS	Preces Nr.	Apraksts	Quantity	Unit
4	5.332-032.0	Helical spring	2.000	ST

909 Rotary controller TR 270L (4.118-007.0)

POS	Apraksts	Quantity	Unit
1	Rotary controller TR 270L	1.000	ST

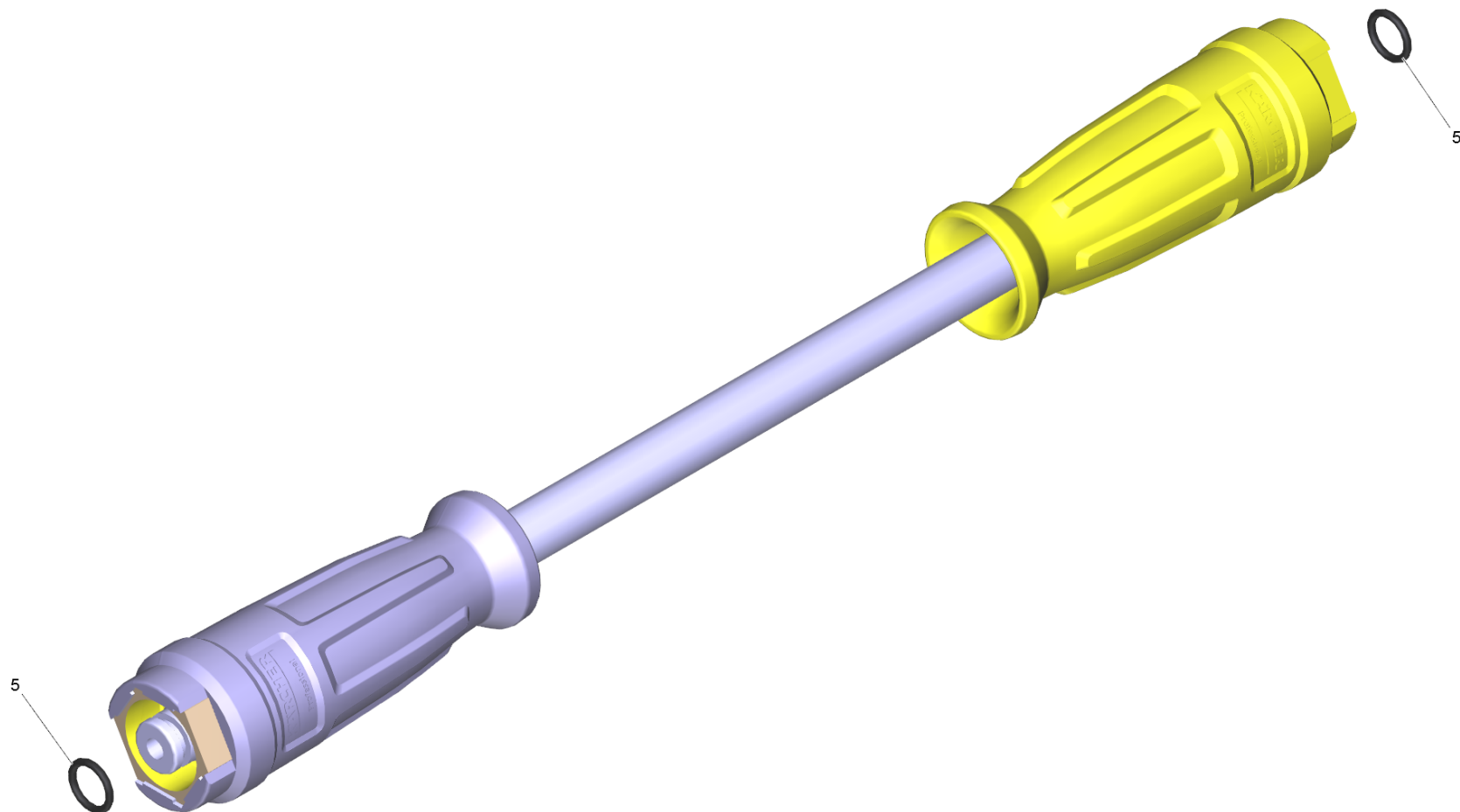


1 Rotary controller TR 270L

POS	Preces Nr.	Apraksts	Quantity	Unit
4	5.321-364.3	Handhold rotary controller	1.000	ST
30	7.343-069.0	Locking ring	1.000	ST
12	2.880-001.0	Spare part set seals TR	1.000	ST

915 Hose assembly TR rotatable DN6 25MPa 10m (6.110-035.0)

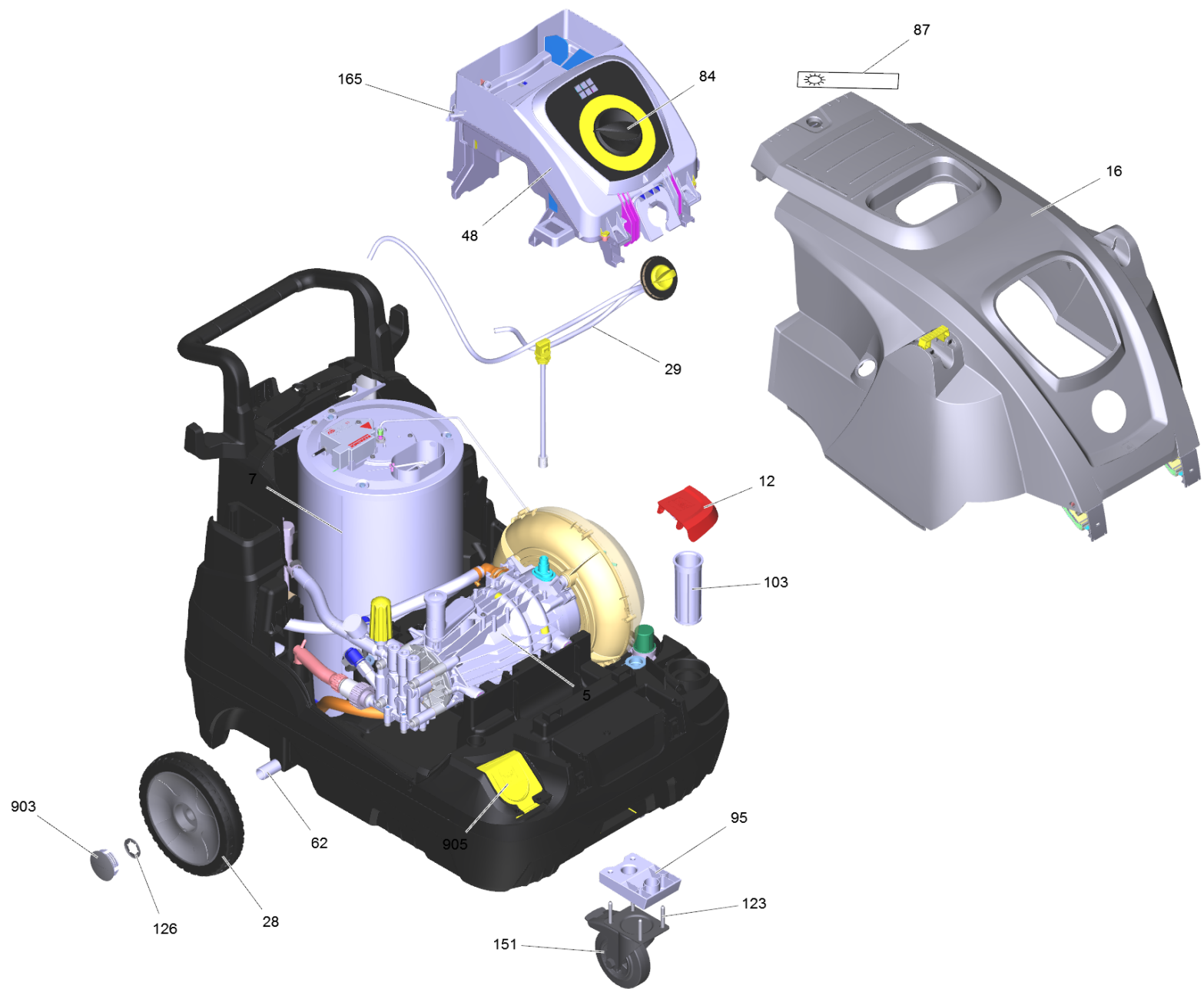
POS	Apraksts	Quantity	Unit
1	Hose assembly TR rotatable DN6 25MPa 10m	1.000	ST

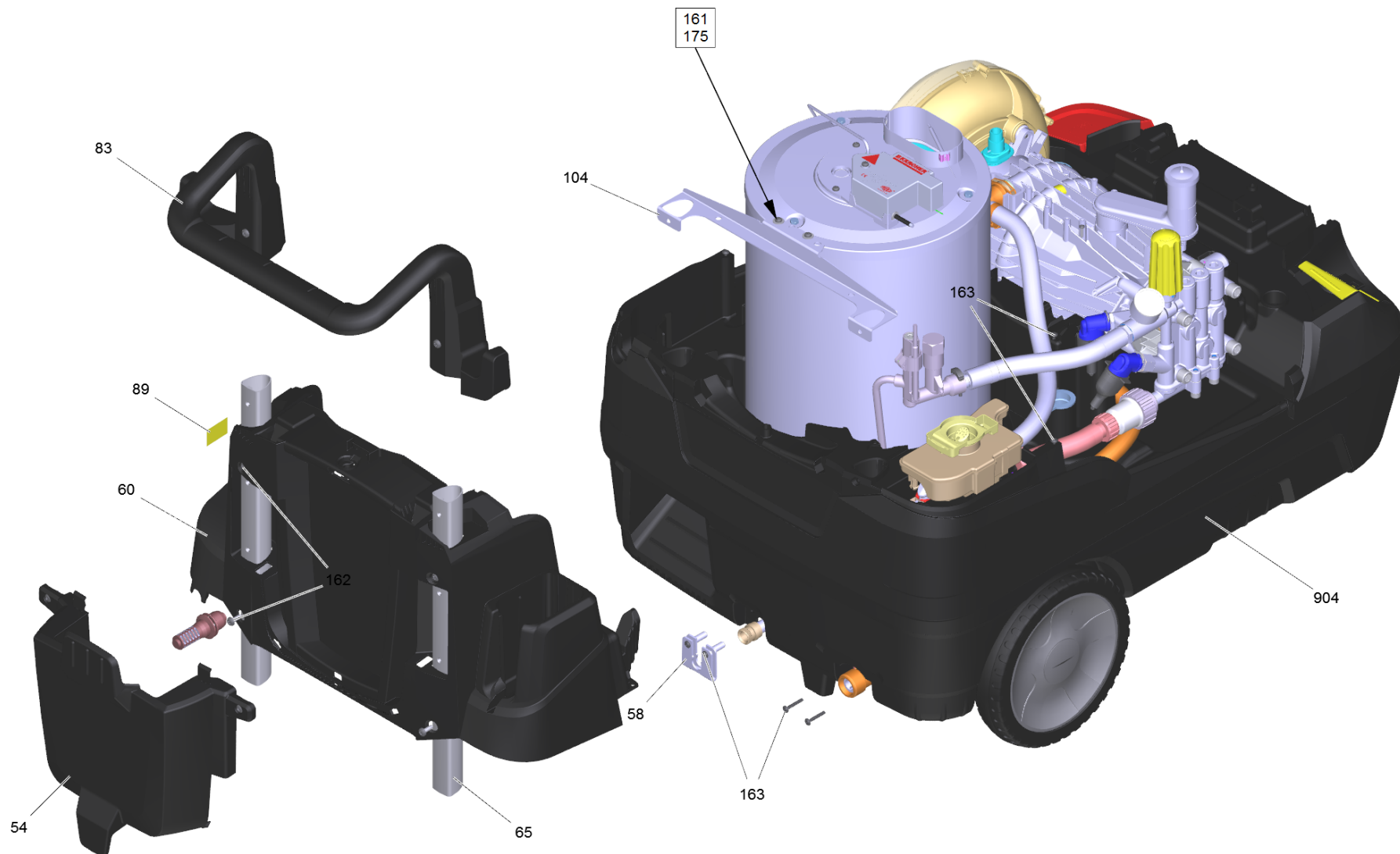


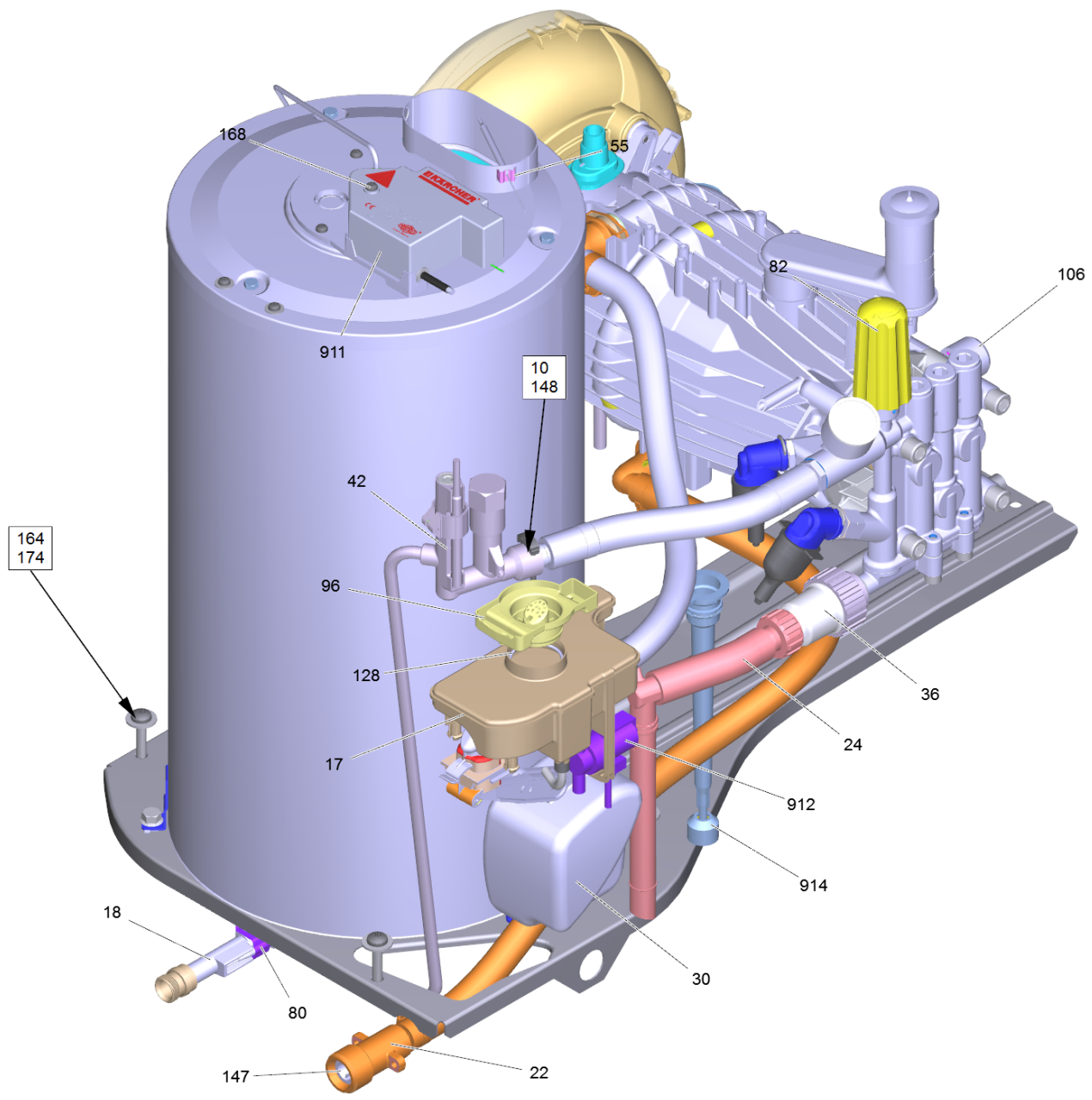
1 Hose assembly TR rotatable DN6 25MPa 10m

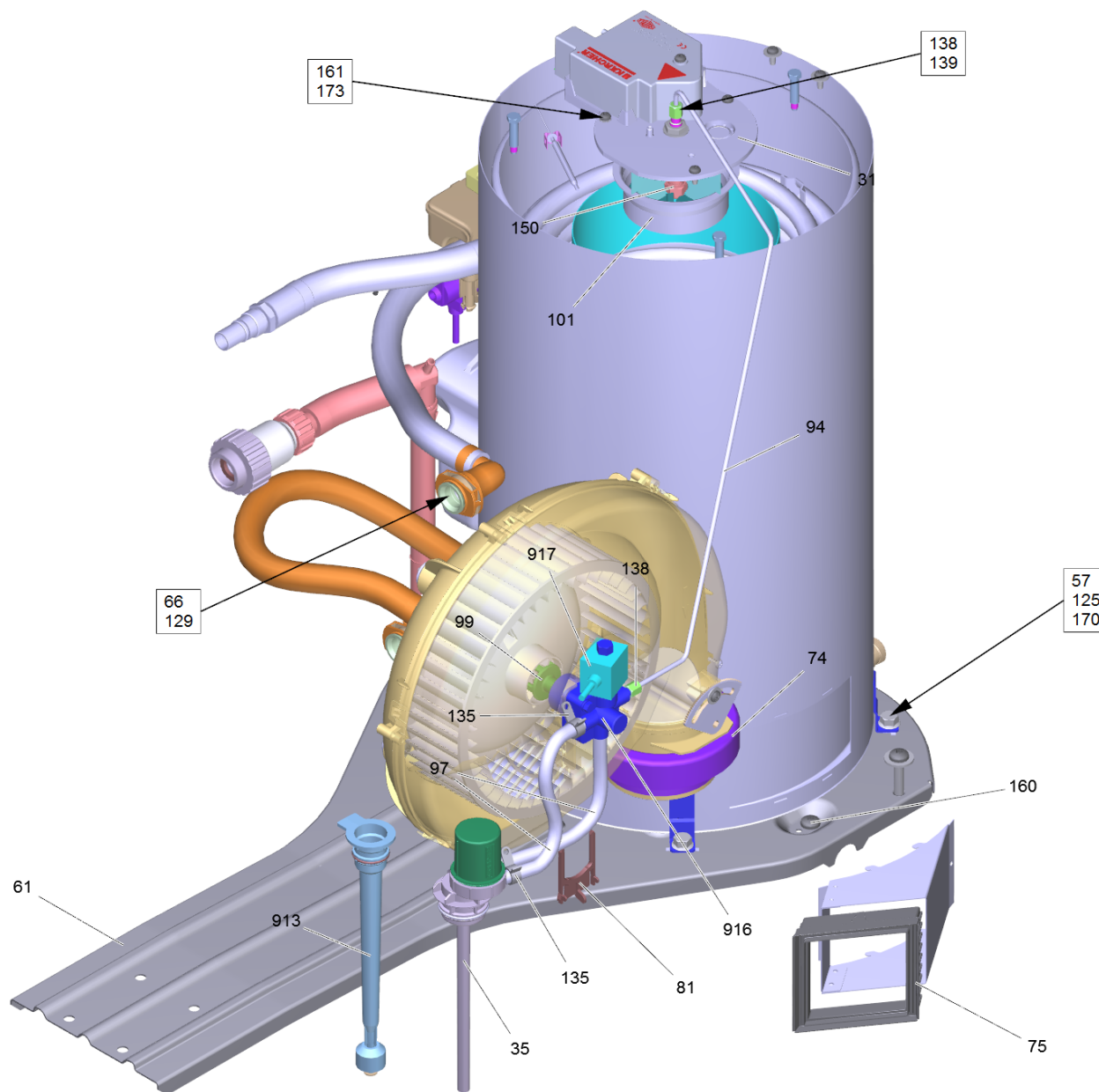
POS	Preces Nr.	Apraksts	Quantity	Unit
5	2.880-154.0	O-Ring kit	1.000	ST











Spare parts list HDS 8/18-4C (5.974-074.0)

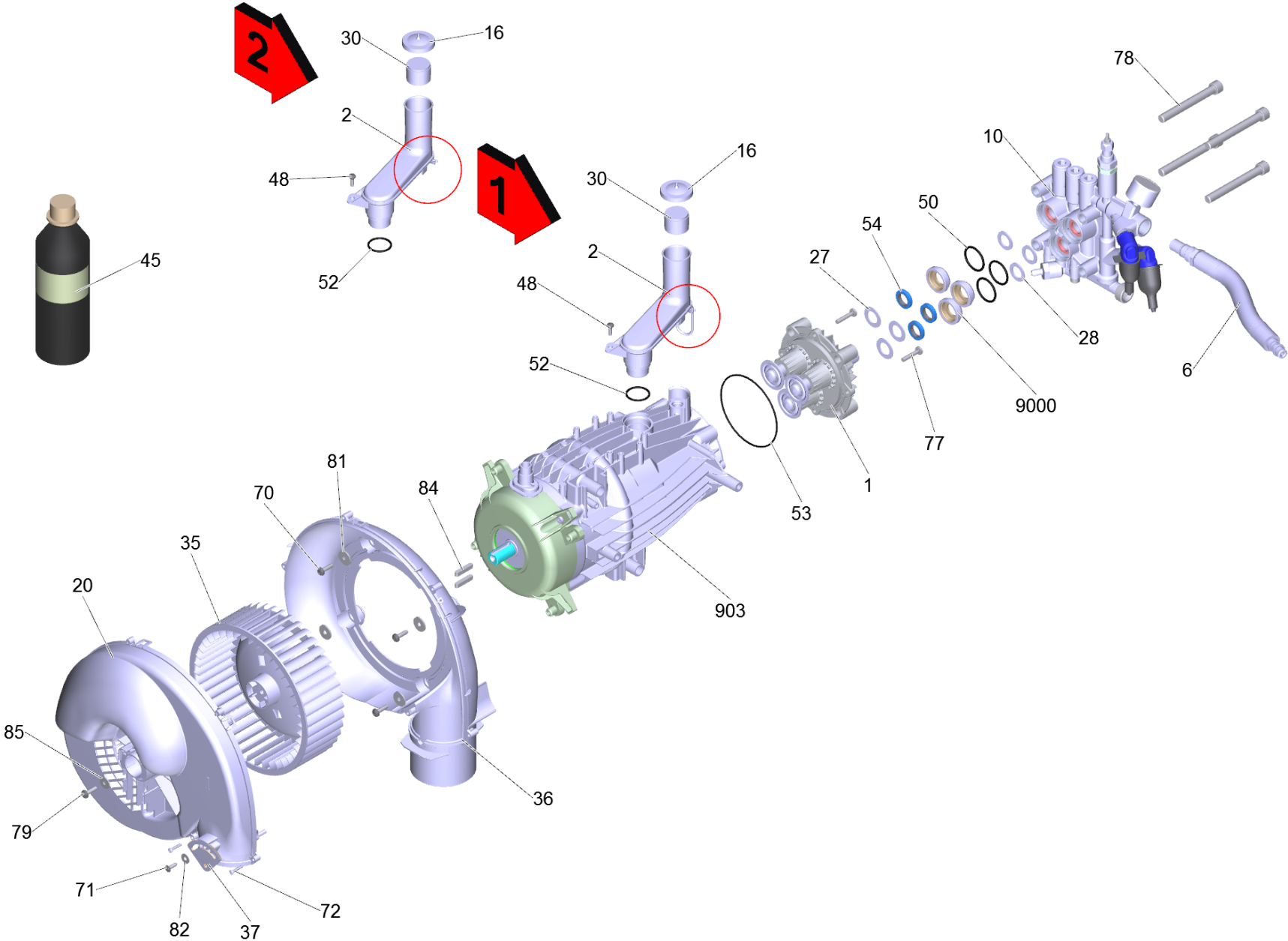
POS	Preces Nr.	Apraksts	Quantity	Unit
62	5.105-651.0	Axle	1.000	ST
65	5.107-295.0	Bar handhold	2.000	ST
904	4.051-201.0	Base frame complete only for replacement	1.000	ST
61	5.051-199.0	Base plate	1.000	ST
7		Boiler	1.000	ST
104	5.762-420.0	Bracket plate	1.000	ST
101	5.664-182.0	Burner part	1.000	ST
151	6.435-826.0	Castor D 125	1.000	ST
81	5.263-099.0	Clamp	1.000	ST
74	5.178-040.0	Collar air circulation	1.000	ST
94	5.423-400.0	Conduit fuel	1.000	ST
905	4.064-029.0	Cover	1.000	ST
12	4.064-021.0	Cover fuel complete	1.000	ST
31		Cover pressure boiler	1.000	ST
99	5.471-097.0	Degvielas sūkņa sakabe	1.000	ST
16		Device cover complete	1.000	ST
908	4.118-005.0	EASY!Force Advanced	1.000	ST
48		Electric control box complete	1.000	ST
80	5.263-064.0	Fiksējošais elements	1.000	ST
103	5.731-039.0	Filter	1.000	ST
36	4.730-141.0	Filter complete	1.000	ST
35	4.730-163.0	Filter complete fuel	1.000	ST
95	5.424-159.0	Fixing castor	1.000	ST
30		Float valve	1.000	ST
916	6.473-565.0	Fuel pump only for replacement	1.000	ST
129	6.362-579.0	Gredzenblīve 17,5 X 3,5	4.000	ST
128	6.362-377.0	Gredzenblīve 38,0 X 2,0-NBR 70	1.000	ST
139	6.389-263.0	Griezies gredzens	2.000	ST
106	5.767-005.0	Gumijas buferis	4.000	ST
82	5.322-103.0	Handle	1.000	ST
84	5.324-136.0	Handle	1.000	ST
58	5.043-076.0	Holder high-pressure outlet	1.000	ST
55	5.034-834.0	Holder probe	1.000	ST

Spare parts list HDS 8/18-4C (5.974-074.0)

POS	Preces Nr.	Apraksts	Quantity	Unit
915	6.110-035.0	Hose assembly TR rotatable DN6 25MPa 10m	1.000	ST
135	6.388-559.0	Hose clip	2.000	ST
22		Hose intake	1.000	ST
24		Hose pump	1.000	ST
911	4.622-025.0	Ignition transformer only for replacemen	1.000	ST
906	4.112-000.0	Jet pipe TR 1050 mm	1.000	ST
87	5.383-342.0	Label fuel oil einfuellen	1.000	ST
914	4.747-111.0	Level probe cleaning agents only for rep	1.000	ST
913	4.747-110.0	Level probe fuel	1.000	ST
18	4.422-126.0	Manifold complete high-pressure outlet	1.000	ST
5		Motor pump	1.000	ST
60	5.050-912.0	Moulded part rear panel	1.000	ST
97		Piece of tube	2.000	ST
901	2.113-008.0	Power nozzle TR 25043	1.000	ST
909	4.118-007.0	Rotary controller TR 270L	1.000	ST
42		Safety system	1.000	ST
165	7.303-205.0	Screw 4x16-St-10.9-R2R (In6Rd)	2.000	ST
123	7.303-275.0	Screw 8x50 -10.9-A3E (In6Rd)	4.000	ST
168	7.303-240.0	Screw M5x40-ST-A2E (IN6RD)	1.000	ST
162	7.303-047.0	Screw M6x16 -St-R3R (In6Rd)	4.000	ST
161	7.303-038.0	Screw M6x20 -St-R3R (In6Rd)	5.000	ST
160	7.303-067.0	Screw M8x16-ST-R3R (IN6RD)	1.000	ST
164	7.303-147.0	Screw M 8x50-ST-A3E (IN6RD)	3.000	ST
75	5.195-319.0	Seal air circulation	1.000	ST
52		Set mounting parts	1.000	ST
903	2.889-086.0	Set wheel cap	1.000	ST
170	7.304-051.0	Sešstūrgalvas skrūve M 8x16-8.8-P2R EN	3.000	ST
147	6.414-141.0	Sieta filtrs	1.000	ST
148	6.414-566.0	Sieta filtrs WMS	1.000	ST
163	7.303-086.0	Skrūve 5x30 -10.9-R2R (K-In6Rd)	8.000	ST
66	5.110-341.0	Sleeve	2.000	ST
83	5.321-996.0	Sliding handle	1.000	ST
912	4.686-022.0	Solenoid valve DGT only for replacement	1.000	ST

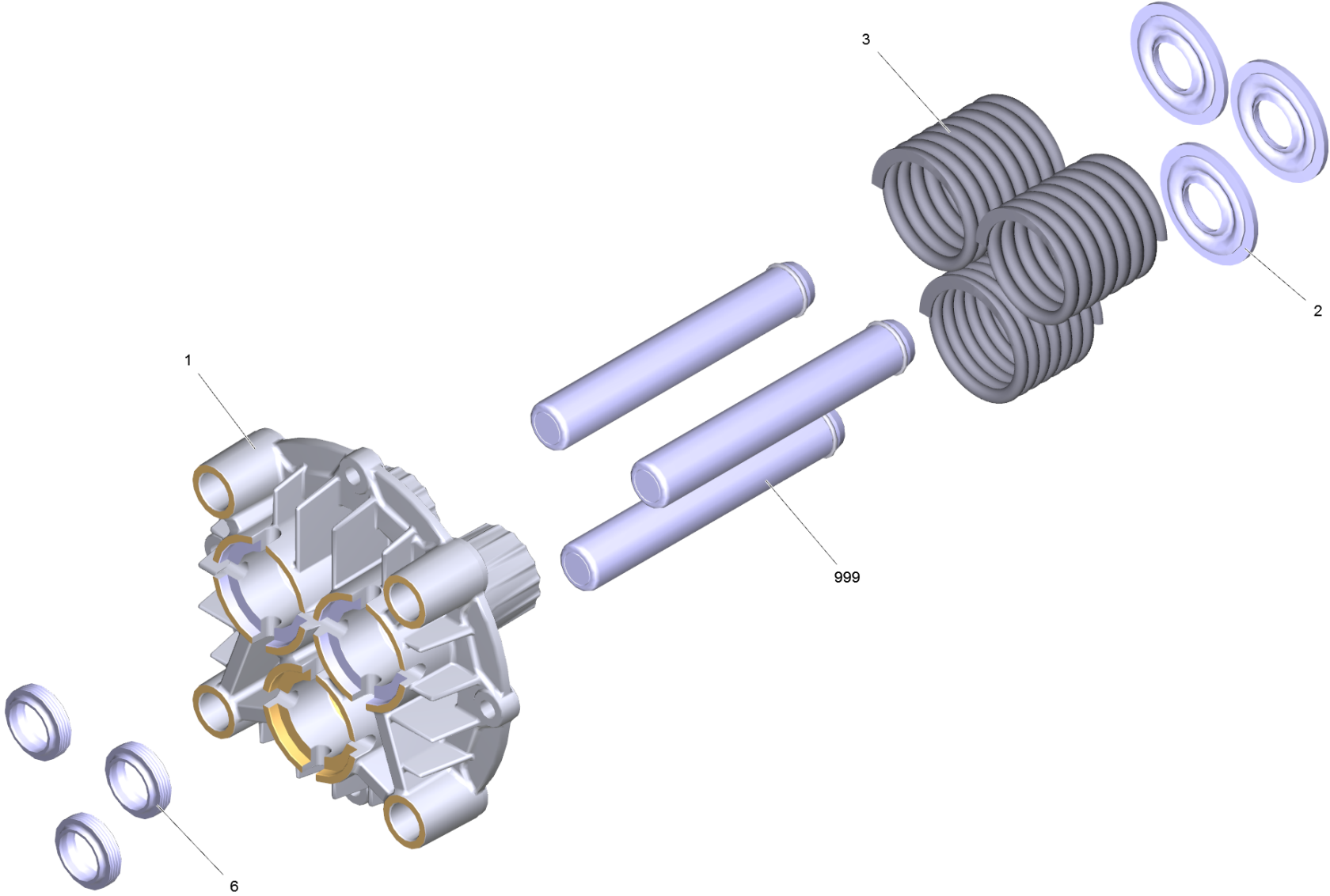
Spare parts list HDS 8/18-4C (5.974-074.0)

POS	Preces Nr.	Apraksts	Quantity	Unit
917	6.473-567.0	Solenoida vārsts, pilns kpl. - nomaiņai	1.000	ST
10	4.037-013.0	Spare part	1.000	ST
126	6.343-162.0	Sprostapblāksne - 25	2.000	ST
902	2.114-002.0	Steam nozzle TR 40050	1.000	ST
17	4.070-732.0	Tank complete	1.000	ST
54	5.033-725.0	Tool bag	1.000	ST
173	7.312-172.0	Toothed lock washer A5,3-FSt-A3E DIN 67	1.000	ST
57	5.044-420.0	Turētājs	3.000	ST
150	6.415-761.0	Uzgalis 1,25 GPH 45 G ES	1.000	ST
125	6.310-081.0	Uzgrieznis M 8	3.000	ST
138	6.389-262.0	Uzmavuzgrieznis A 4-LL	2.000	ST
29		Valve cleaning agents complete	1.000	ST
89	5.387-620.0	Warning sticker-Prevent from freezing	1.000	ST
175	7.312-278.0	washer	2.000	ST
174	7.312-277.0	Washer 8-200HV-A2E ISO7093-1	3.000	ST
28	4.515-343.0	Wheel complete	2.000	ST
96	5.425-495.0	Īscaurule DGT	1.000	ST



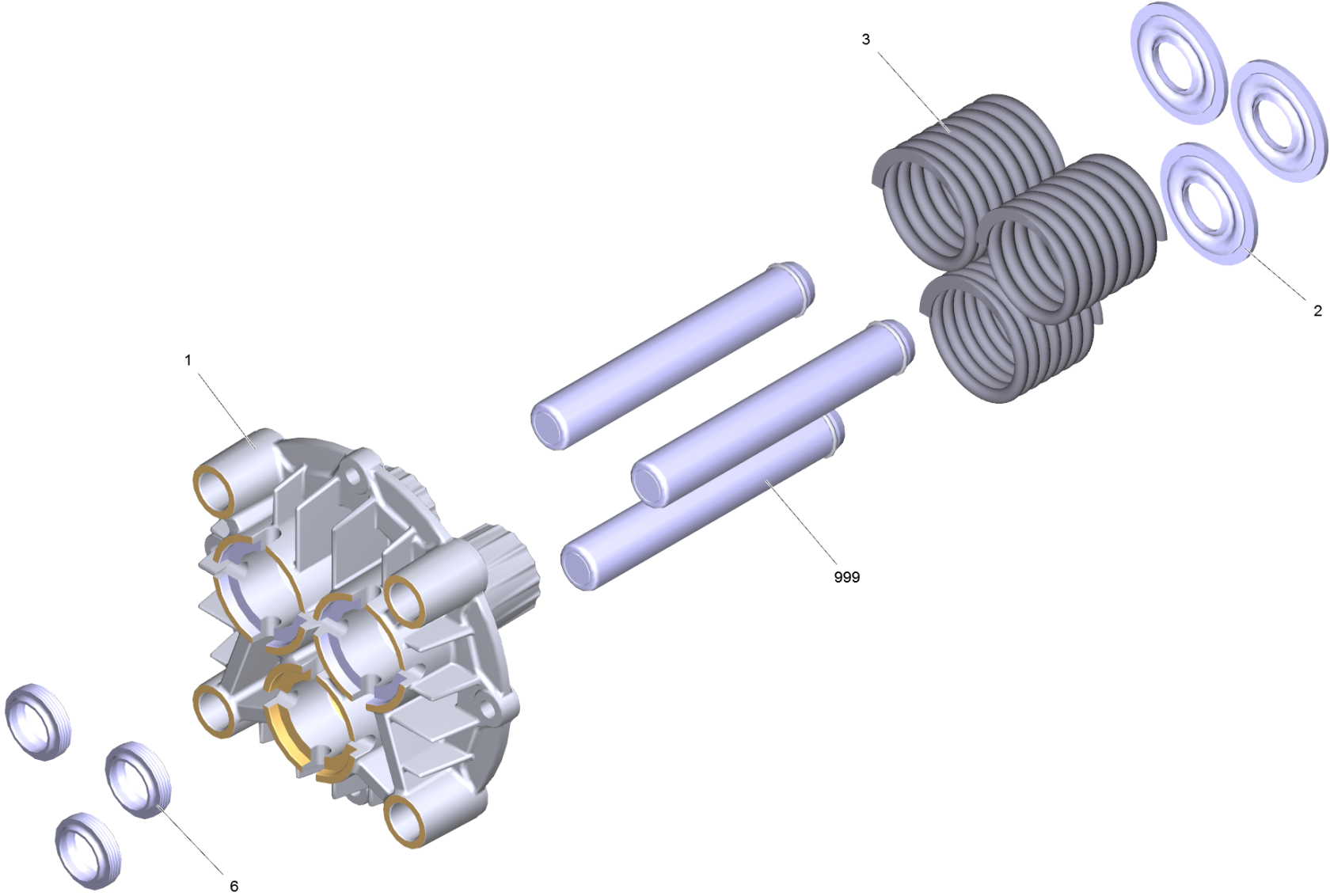
5 Motor pump

POS	Preces Nr.	Apraksts	Quantity	Unit	Piezīme	Zemsvītras piezīme
35	5.600-096.0	Blower wheel	1.000	ST		
9000	5.112-340.3	Bush	1.000	ST		
78	7.306-155.0	Cil. galvas skr. M12x100 -8.8-A3E IS	4.000	ST		
20	5.064-342.0	Cover blower	1.000	ST		
16	5.064-457.0	Cover qusty grey SAE 90	1.000	ST		
10		Cylinder head complete	1.000	ST		
37	5.606-009.0	Gaisa aizbāznis	1.000	ST		
50	6.362-406.0	Gredzenblīve 33,05X 1,78-NBR 70	3.000	ST		
53	6.362-613.0	Gredzenblīve 101,27X 2,62-NBR 70	1.000	ST		
6	6.391-859.0	High pressure hose DN 13	1.000	ST		
36	4.605-140.0	Housing blower complete	1.000	ST		
54	6.365-332.0	Kompaktā blīve 18x28x5,8	3.000	ST		
903	4.624-027.0	Motor complete nur fuer Ersatz	1.000	ST		
52	6.362-722.0	O-Ring seal 28,0 X 3,0	1.000	ST		
27	5.115-432.0	Paplāksne	3.000	ST		
28	5.115-431.0	Paplāksne	3.000	ST		
30	5.132-107.0	Plug	1.000	ST		
84	7.318-032.0	Prizm. ierievis 6x6x32-C45R DIN 6885	2.000	ST		
901	2.884-008.0	Pump set	1.000	ST		
48	6.303-153.0	Screw M5x15-ST-R2R (IN6RD)	1.000	ST		
70	7.303-048.0	Screw M6x20 -St-R3R (In6Rd)	4.000	ST		
72	7.303-084.0	Skrūve 4x25 -10.9-R2R (K-In6Rd)	2.000	ST		
71	7.303-107.0	Skrūve 5x16 -10.9-P2R (K-In6Rd)	1.000	ST		
79	6.304-145.0	Skrūve M 6X20-R3R (IN6RD)	1.000	ST		
77	7.306-105.0	Skrūve M6x30 -8.8-R3R (In6Rd)	2.000	ST		
2	4.070-887.0	Tank oil complete	1.000	ST	Version 2	
2	4.070-748.0	Tank oil complete	1.000	ST	Version 1	
1		Thrust guidance complete	1.000	ST	Version 2	Piston blank
1		Thrust guidance complete	1.000	ST	Version 1	Piston coated
45	6.288-016.0	Transmisijas eļļa	1.000	ST		
81	7.312-260.0	washer	4.000	ST		
82	7.312-278.0	washer	1.000	ST		
85	7.312-276.0	Washer 6 -200HV-A2E ISO7093-1	1.000	ST		



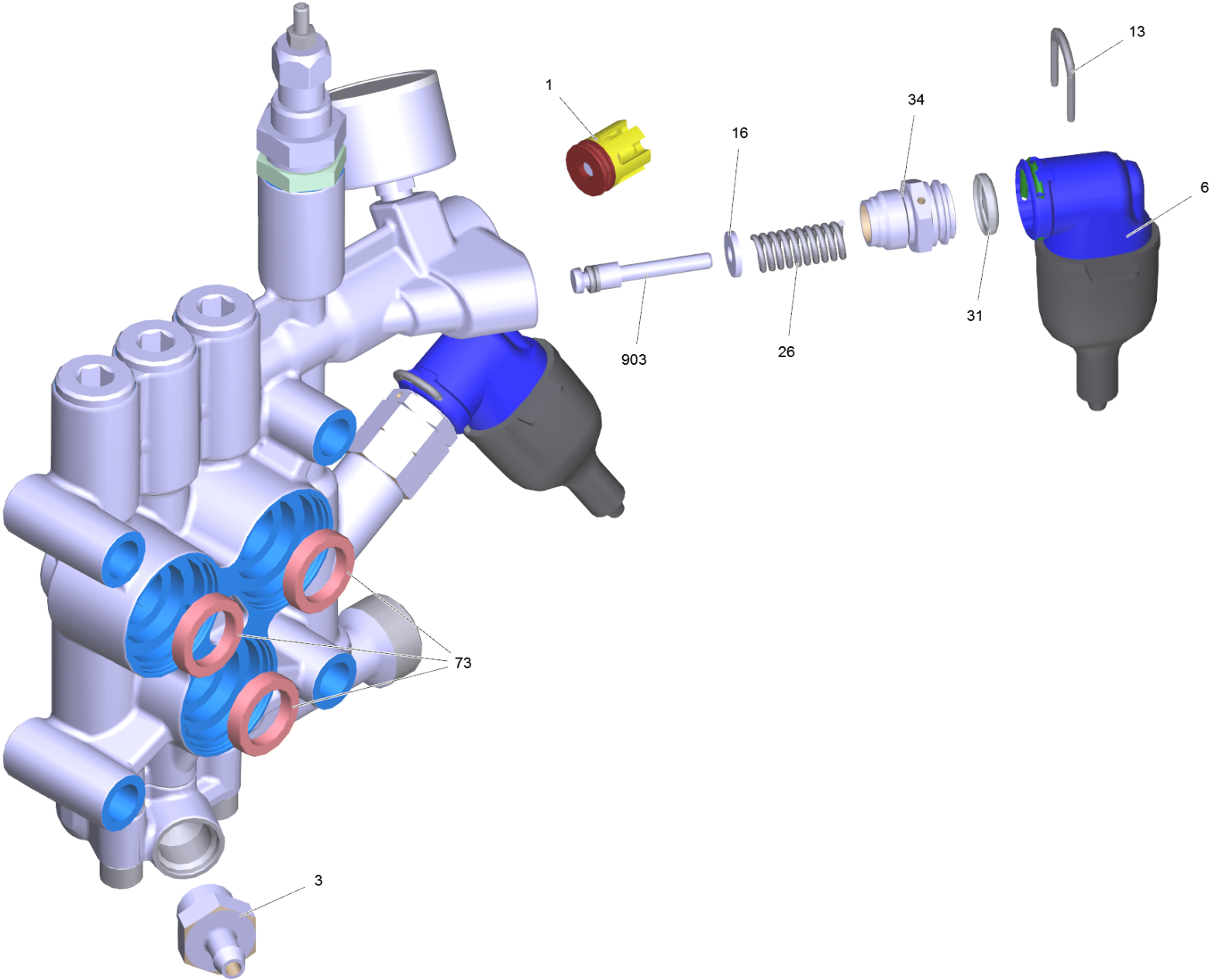
1 Thrust guidance complete

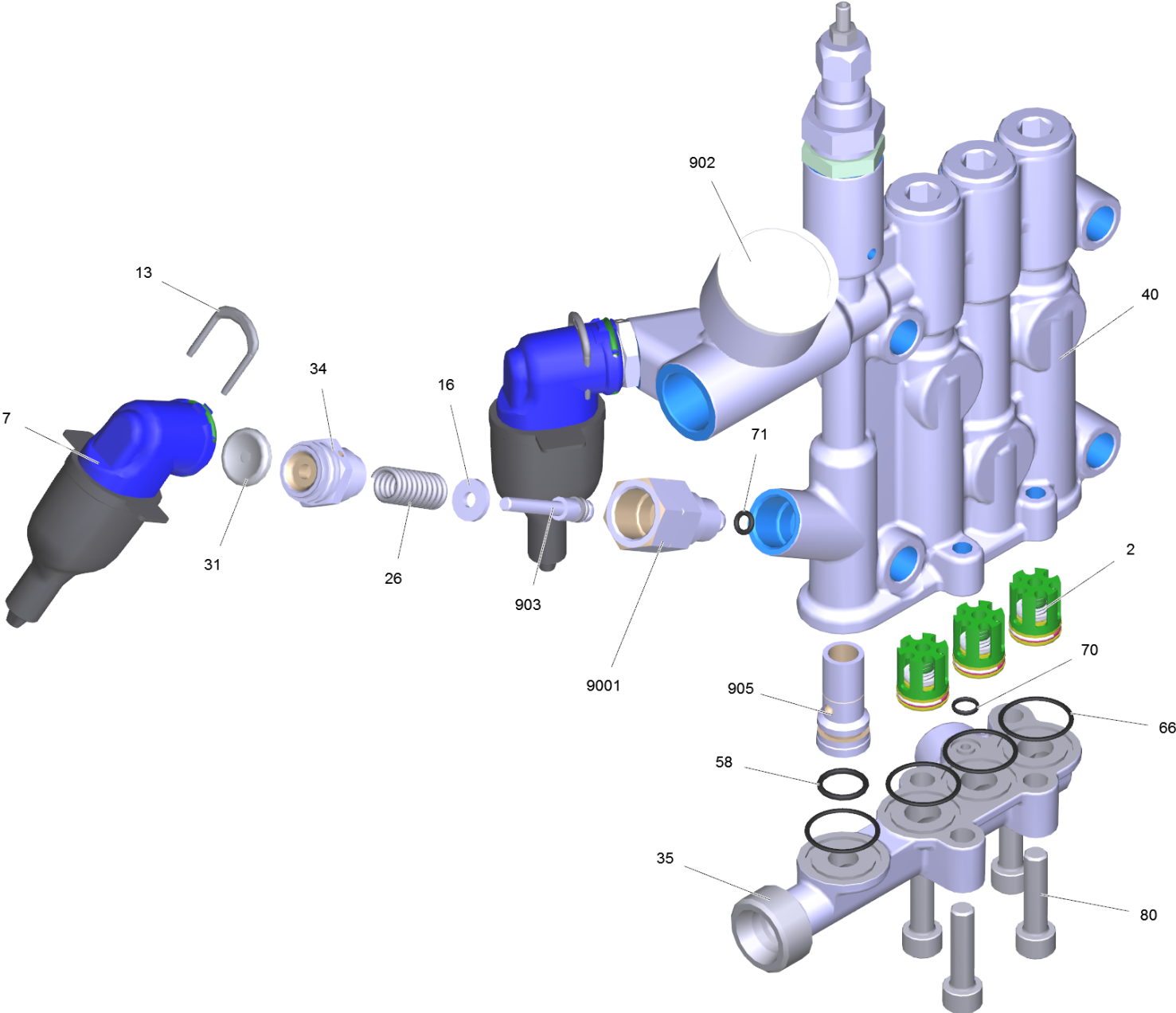
POS	Preces Nr.	Apraksts	Quantity	Unit
6	6.365-334.0	Gredzens ar gropi 18X26X6/8	3.000	ST
3	5.332-550.0	helical spring	3.000	ST
999	4.553-034.0	Piston complete only for replacement	3.000	ST
1	5.061-208.3	Thrust guidance D18	1.000	ST
2	5.116-325.0	Washer	3.000	ST

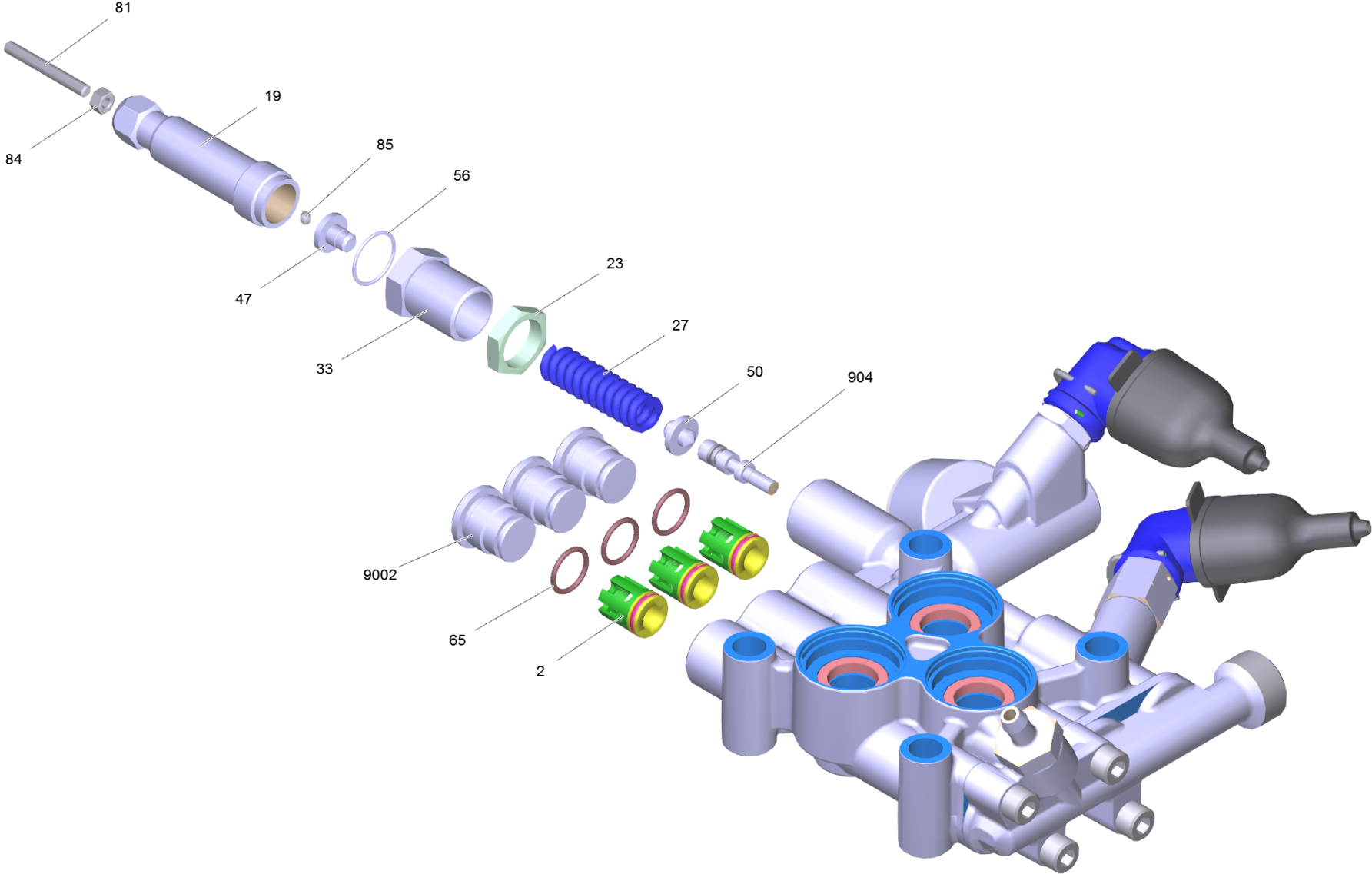


1 Thrust guidance complete

POS	Preces Nr.	Apraksts	Quantity	Unit
6	6.365-334.0	Gredzens ar gropi 18X26X6/8	3.000	ST
3	5.332-550.0	helical spring	3.000	ST
999	4.553-314.0	Piston complete only for replacement	3.000	ST
1	5.061-208.3	Thrust guidance D18	1.000	ST
2	5.116-325.0	Washer	3.000	ST





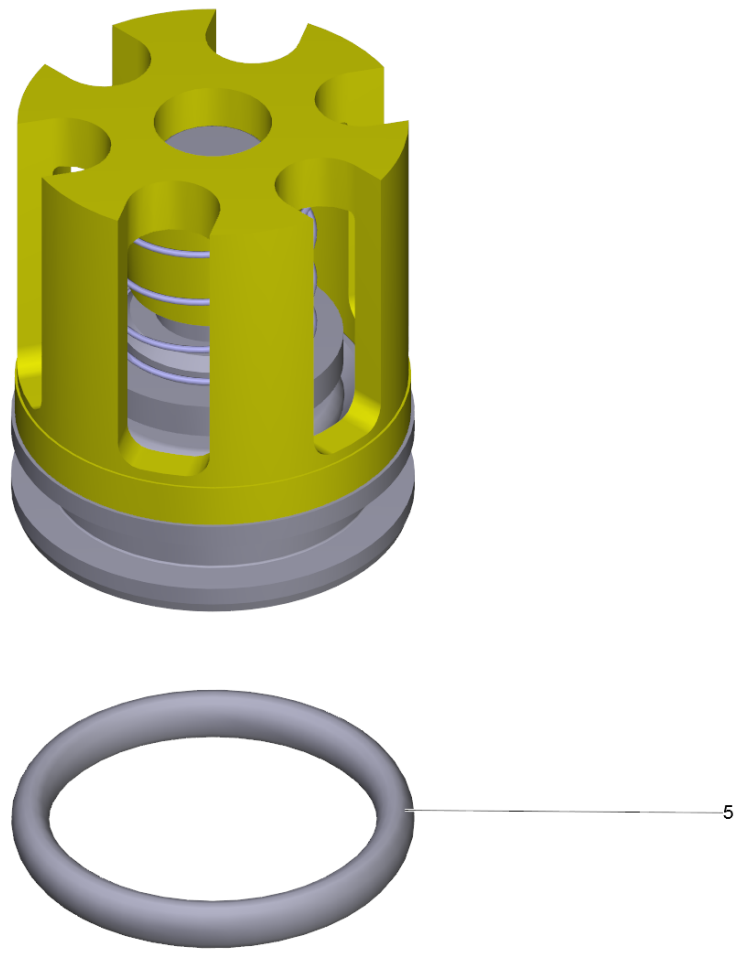


10 Cylinder head complete

POS	Preces Nr.	Apraksts	Quantity	Unit
80	7.306-043.0	Cil. galvas skr. M8x30 -8.8-A2E ISO	4.000	ST
40	4.550-995.0	Cylinder head complete only for replacem	1.000	ST
71	6.362-853.0	Gredzenblīve 4,47x1,78	1.000	ST
70	6.362-703.0	Gredzenblīve 6,0x1,5-NBR 70	1.000	ST
58	6.362-381.0	Gredzenblīve 13x2 - NBR 70	1.000	ST
65	6.362-481.0	Gredzenblīve 14,0 x 2,0 NBR 80	3.000	ST
56	6.362-079.0	Gredzenblīve 18,0 X 2,5	1.000	ST
66	6.363-536.0	Gredzenblīve 21x1,5	4.000	ST
73	6.365-333.0	Gredzens ar gropi 18X26X5,4	3.000	ST
84	7.311-002.0	hexagon nut	1.000	ST
7	4.744-225.3	High-pressure outlet complete K5.91M	1.000	ST
33	5.404-082.0	hollow screw	1.000	ST
85	7.401-931.0	locking ring	1.000	ST
35	5.427-439.0	Manifold water intake	1.000	ST
31	5.367-030.0	Membrāna	2.000	ST
77	6.869-008.0	Metāla līme	0.001	ZST
16	5.115-796.0	Paplāksne	2.000	ST
904	4.553-198.0	Piston complete only for replacement	1.000	ST
902	4.422-990.0	Pressure gauge complete only for replace	1.000	ST
13	5.034-494.0	Retaining bracket	2.000	ST
9001	5.402-705.3	Savienotājdetaļa	1.000	ST
23	5.311-204.0	Sešstūra uzgrieznis M22 x 1,5	1.000	ST
19	5.304-070.0	Skrūve ar sešstūru galvu	1.000	ST
26	5.332-268.0	Spirālveida atspere	2.000	ST
27	5.332-444.0	Spirālveida atspere	1.000	ST
6	4.744-224.0	Switch	1.000	ST
81	7.307-017.0	threaded pin	1.000	ST
905	5.110-800.0	Uzmava	1.000	ST
903	4.553-197.0	Valve	2.000	ST
3	4.580-581.3	Valve	1.000	ST
2	2.884-512.0	Valve (3 Stueck)	2.000	ST
1	4.580-594.0	Valve complete	1.000	ST
50	5.584-114.0	valve pin	1.000	ST

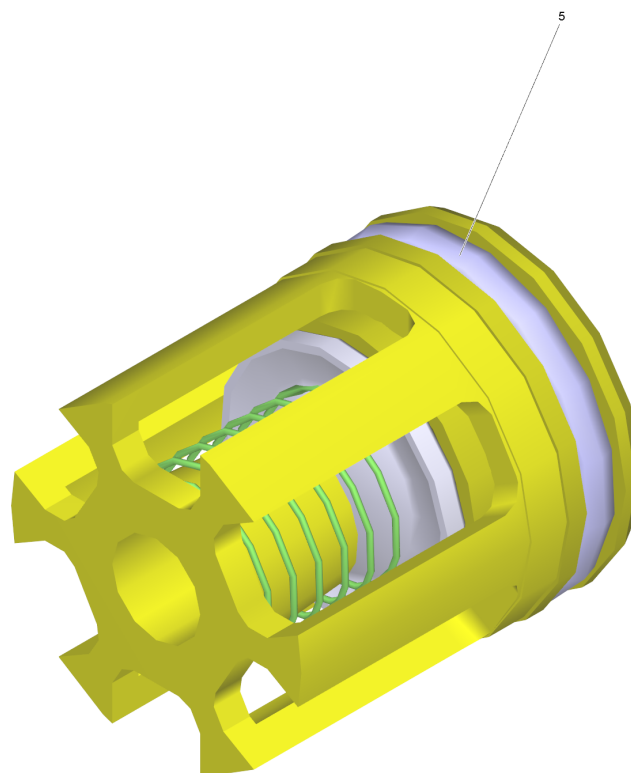
10 Cylinder head complete

POS	Preces Nr.	Apraksts	Quantity	Unit
9002	5.583-146.3	Vārsta skrūve	1.000	ST
47	5.582-121.0	Vārstu plate	1.000	ST
34	5.411-148.0	Vītņtapa	2.000	ST



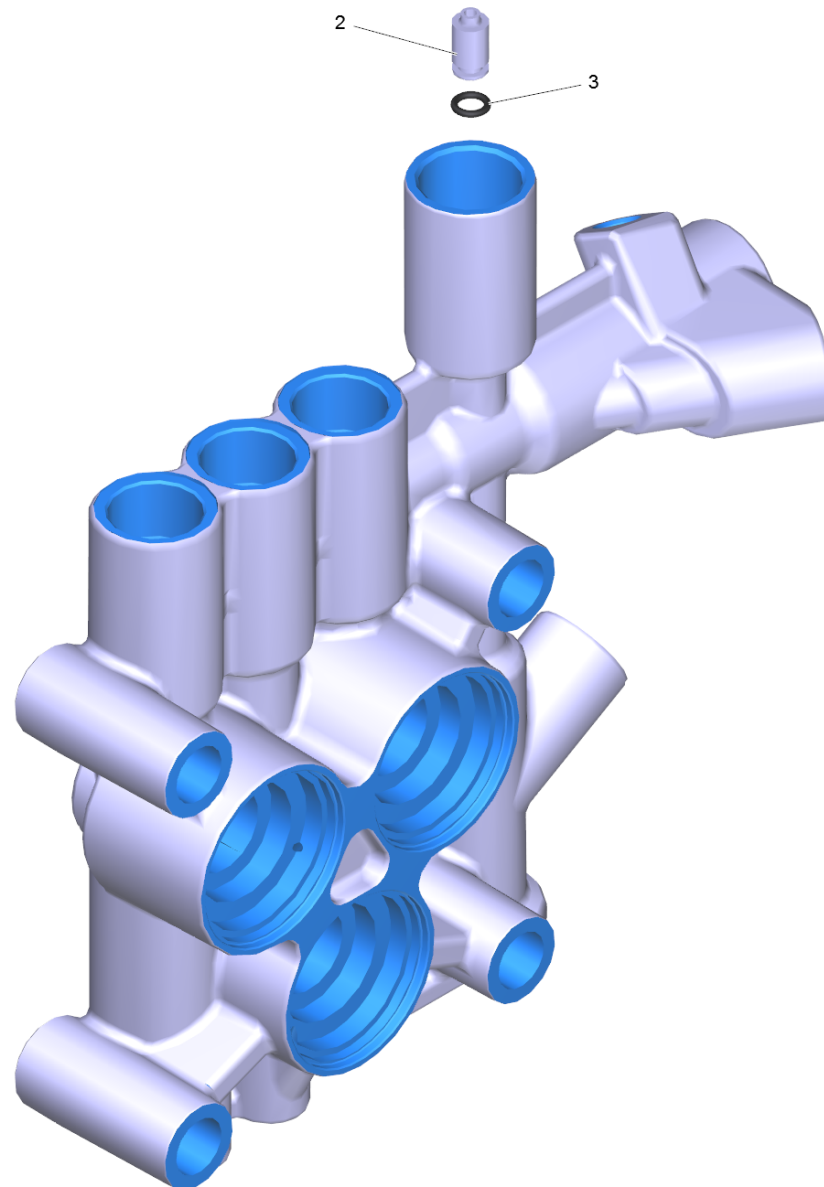
1 Valve complete (4.580-594.0)

POS	Preces Nr.	Apraksts	Quantity	Unit
5	6.362-381.0	Gredzenblīve 13x2 - NBR 70	1.000	ST



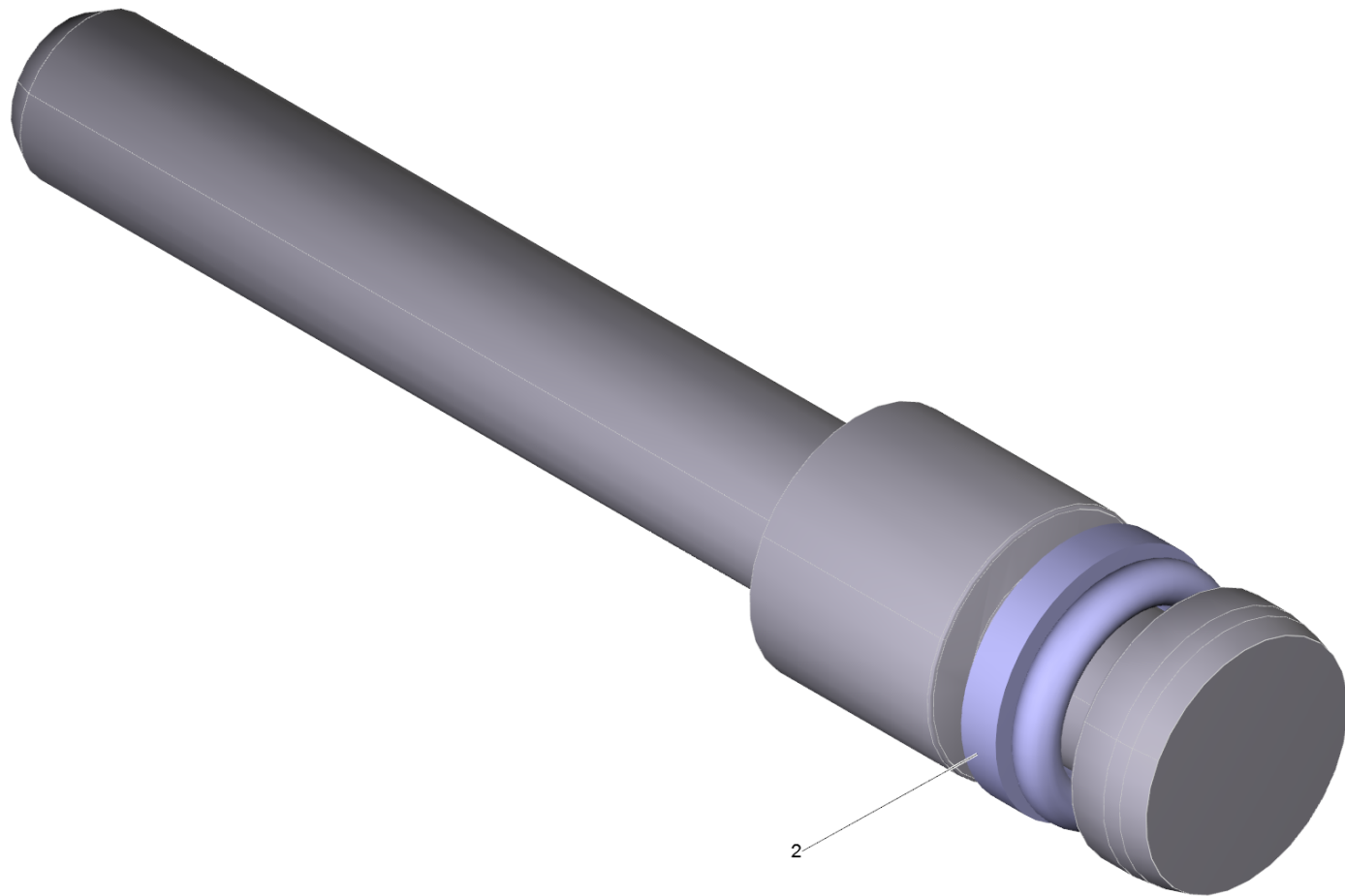
2 Valve (3 Stueck) (2.884-512.0)

POS	Preces Nr.	Apraksts	Quantity	Unit
5	6.363-003.0	Gredzenblīve 13,0 X 2,0-NBR 90	1.000	ST



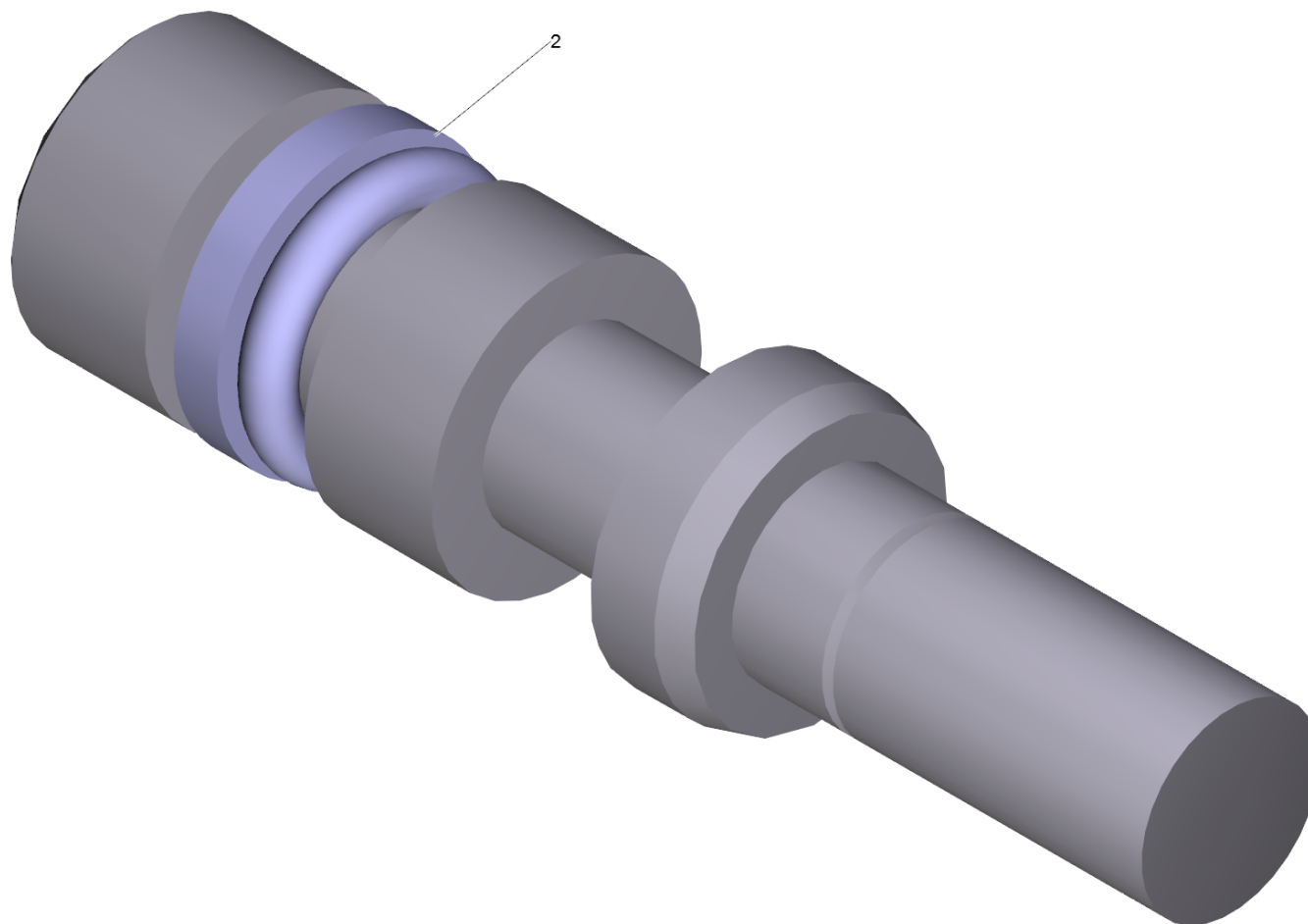
40 Cylinder head complete only for replacem (4.550-995.0)

POS	Preces Nr.	Apraksts	Quantity	Unit
3	6.362-386.0	Gredzenblīve 5,0 x 1,5-NBR 80	1.000	ST
2	5.581-239.0	Vārsta ligzda	1.000	ST



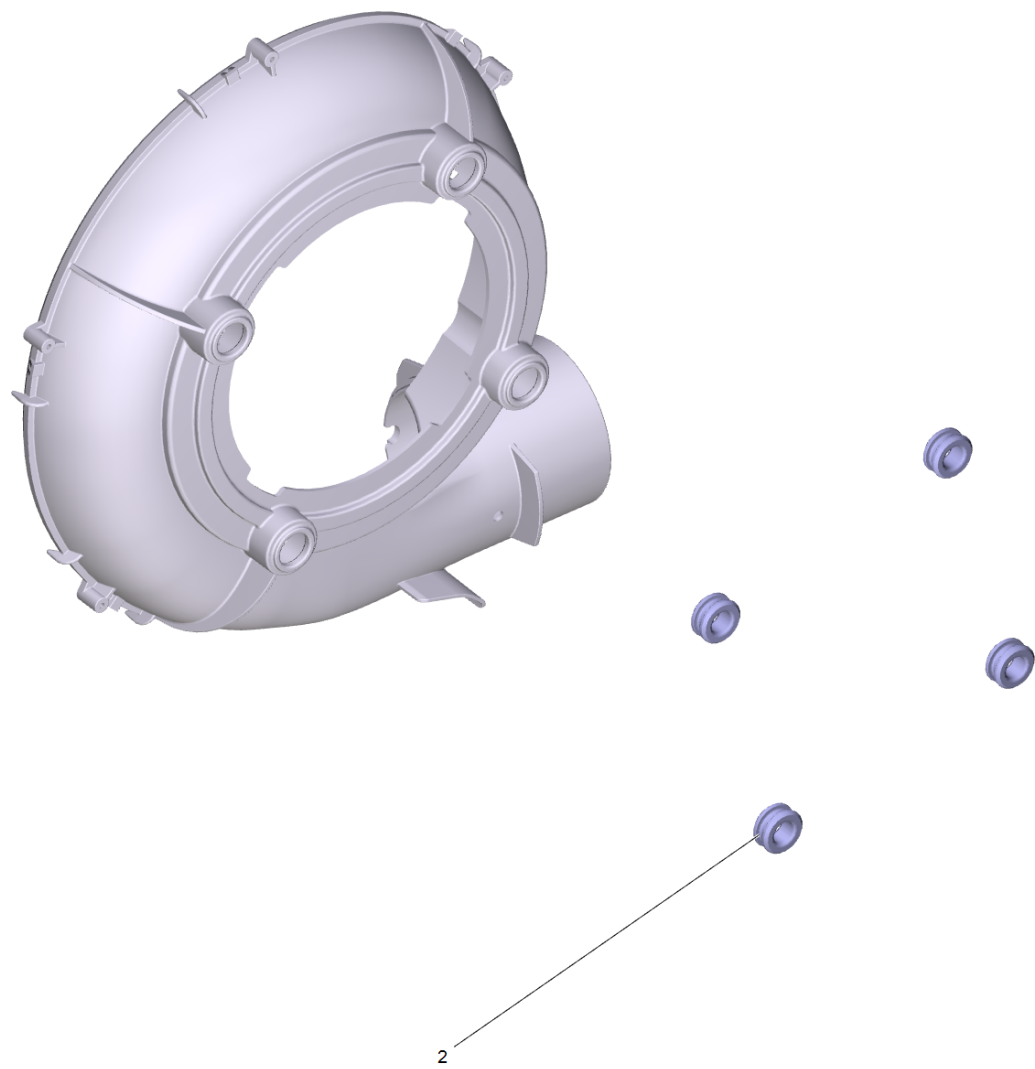
903 Valve (4.553-197.0)

POS	Preces Nr.	Apraksts	Quantity	Unit
2	6.363-037.0	Gredzenblīve, pilns komplekts 1ST.-R.	1.000	ST



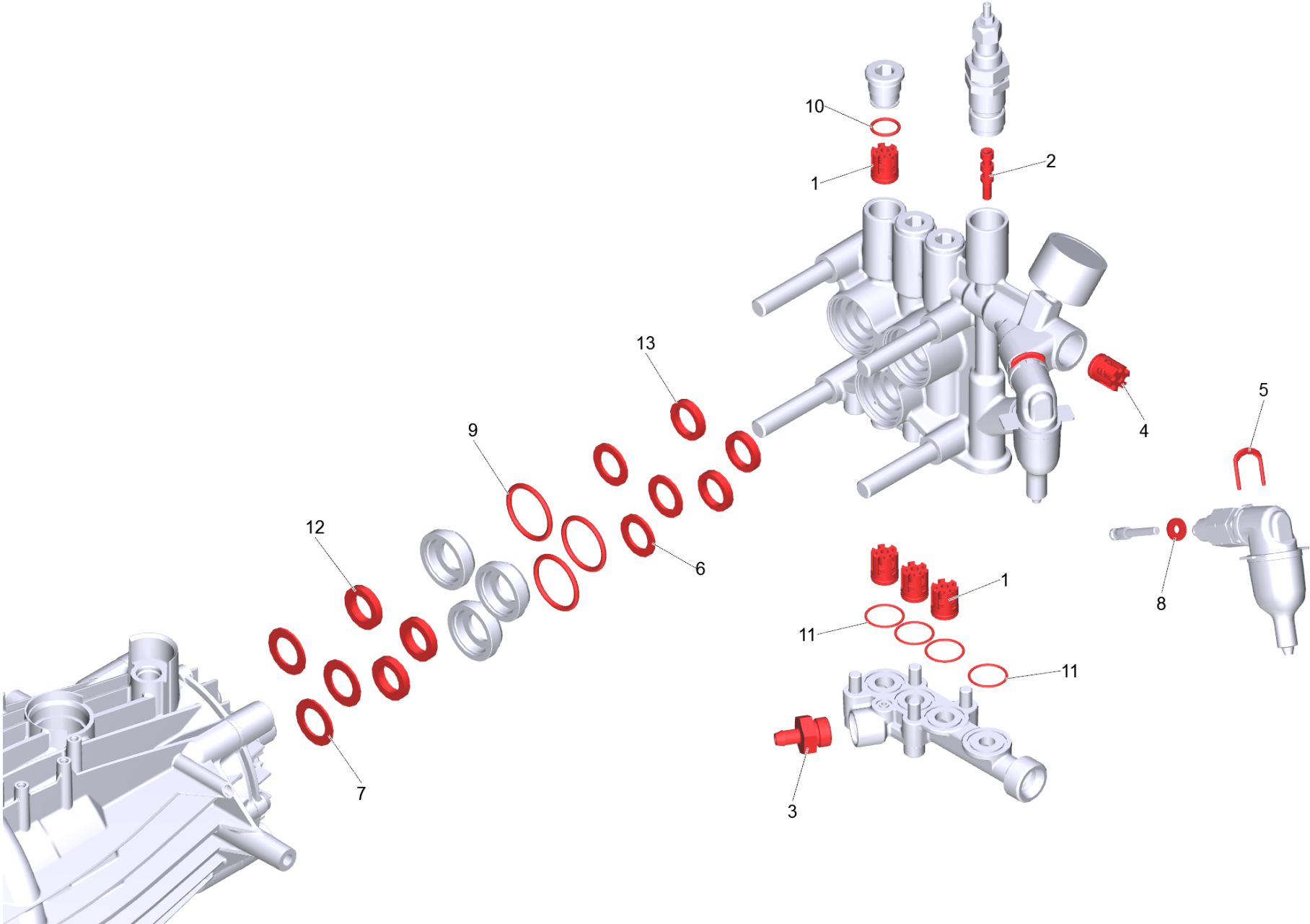
904 Piston complete only for replacement (4.553-198.0)

POS	Preces Nr.	Apraksts	Quantity	Unit
2	6.362-468.0	Gredzenblīve, pilns komplekts 1ST.-R.	1.000	ST



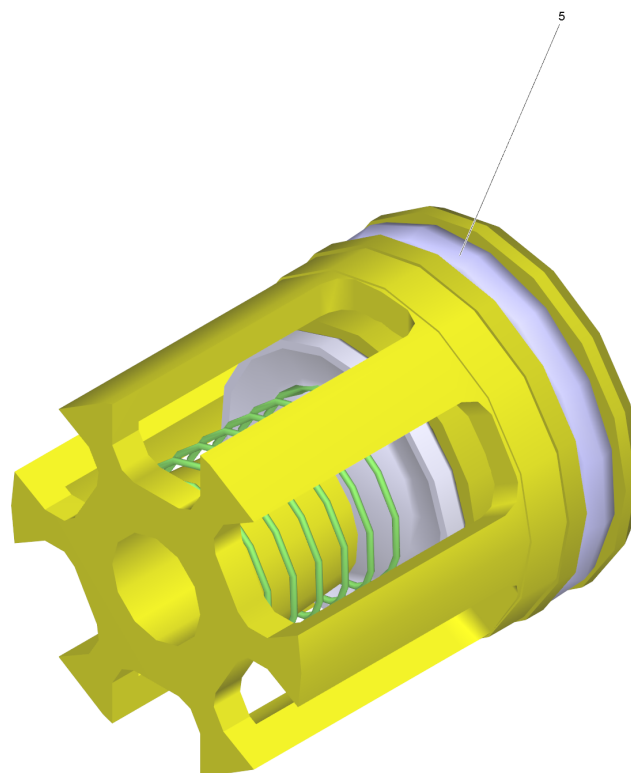
36 Housing blower complete (4.605-140.0)

POS	Preces Nr.	Apraksts	Quantity	Unit
2	5.379-019.0	rubber ring	4.000	ST



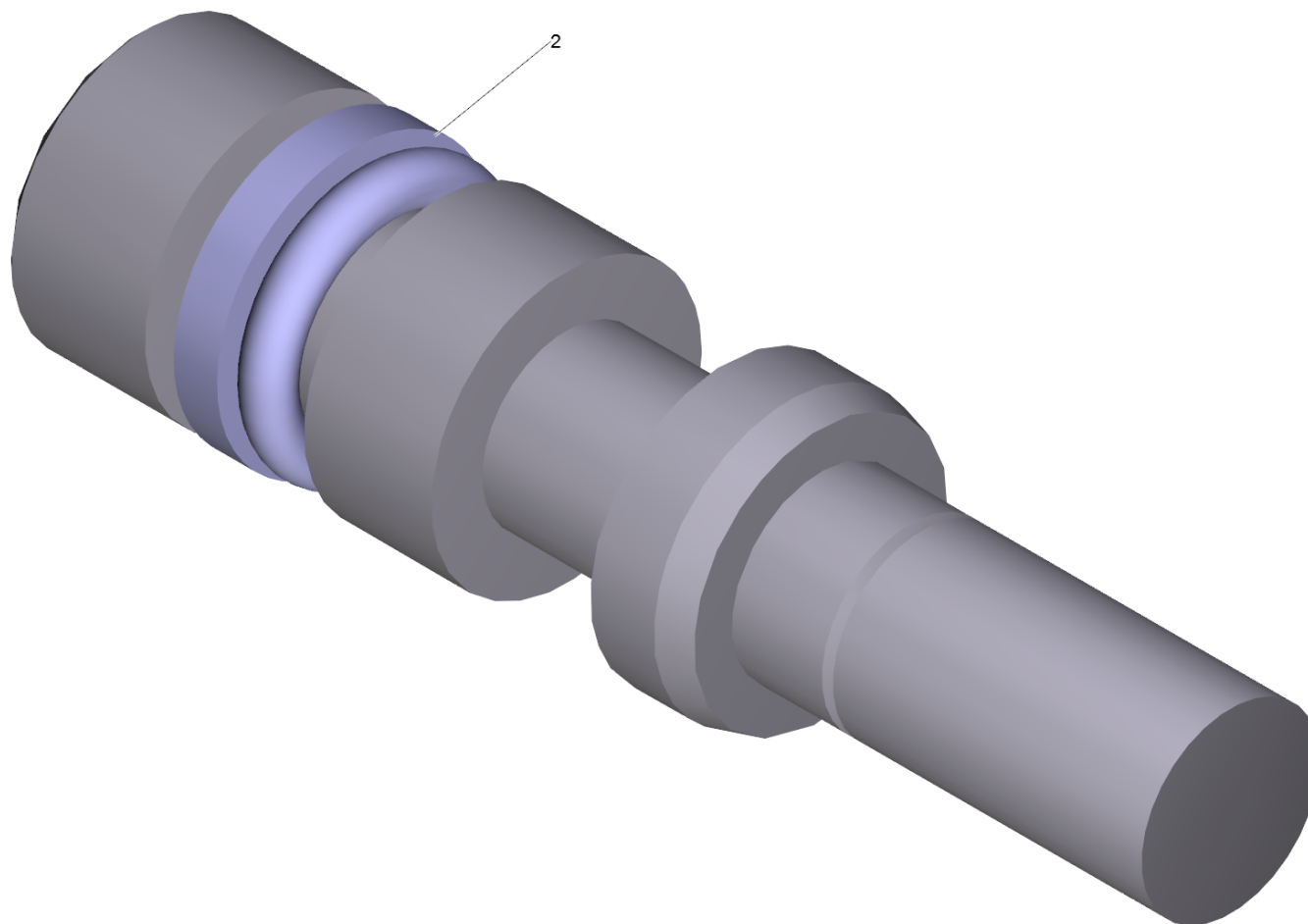
901 Pump set (2.884-008.0)

POS	Preces Nr.	Apraksts	Quantity	Unit
10	6.362-481.0	Gredzenblīve 14,0 x 2,0 NBR 80	3.000	ST
11	6.363-536.0	Gredzenblīve 21x1,5	4.000	ST
9	6.362-406.0	Gredzenblīve 33,05X 1,78-NBR 70	3.000	ST
13	6.365-333.0	Gredzens ar gropi 18X26X5,4	3.000	ST
12	6.365-332.0	Kompaktā blīve 18x28x5,8	3.000	ST
8	5.115-796.0	Paplāksne	2.000	ST
7	5.115-432.0	Paplāksne	3.000	ST
6	5.115-431.0	Paplāksne	3.000	ST
2	4.553-198.0	Piston complete only for replacement	1.000	ST
5	5.034-494.0	Retaining bracket	2.000	ST
3	4.580-581.3	Valve	1.000	ST
1	2.884-512.0	Valve (3 Stueck)	2.000	ST
4	4.580-594.0	Valve complete	1.000	ST



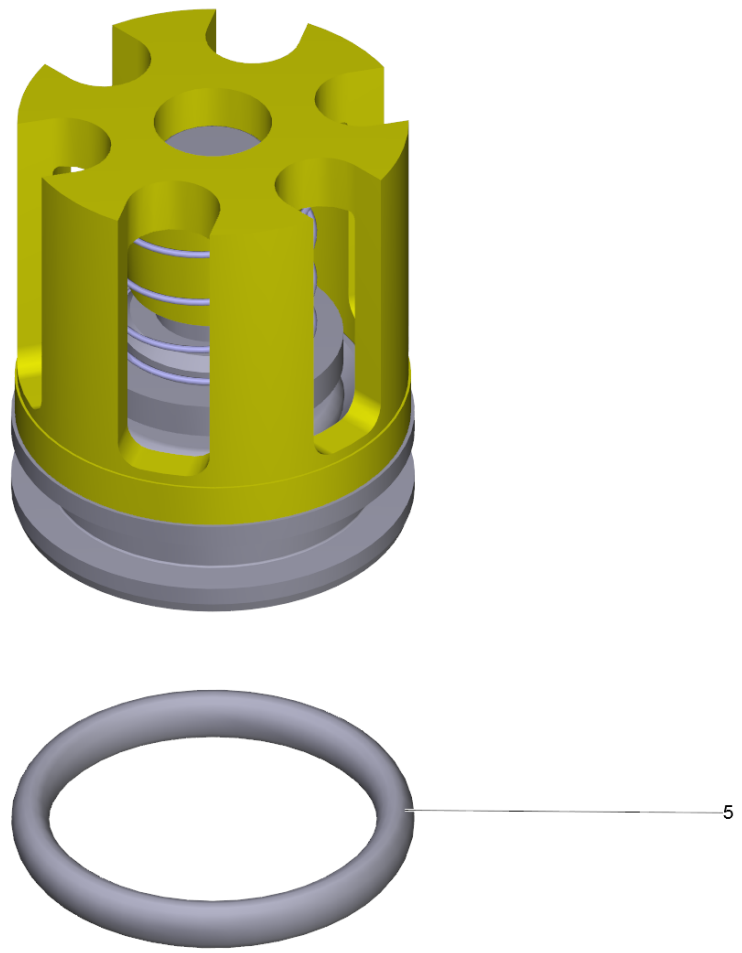
1 Valve (3 Stueck) (2.884-512.0)

POS	Preces Nr.	Apraksts	Quantity	Unit
5	6.363-003.0	Gredzenblīve 13,0 X 2,0-NBR 90	1.000	ST



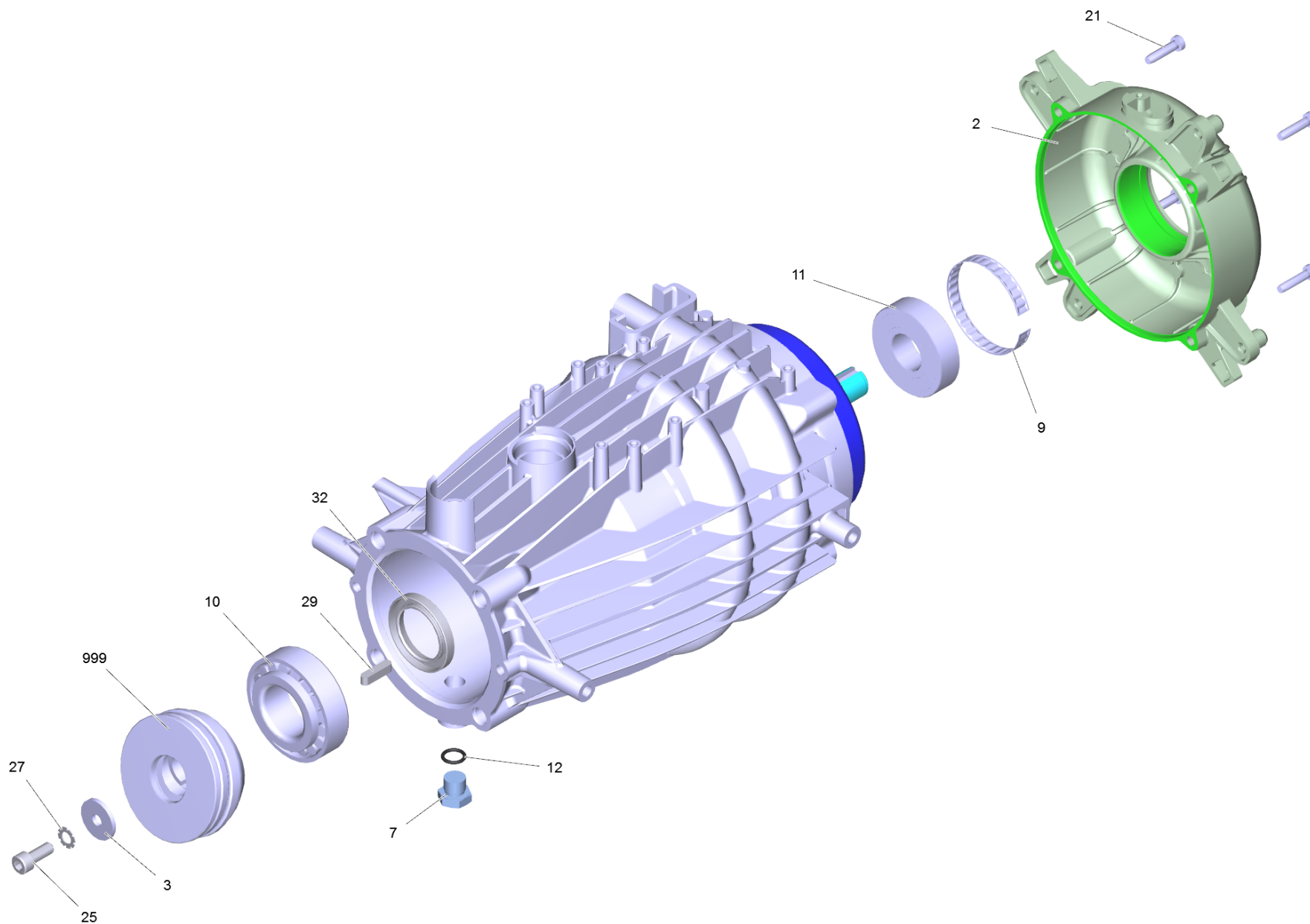
2 Piston complete only for replacement (4.553-198.0)

POS	Preces Nr.	Apraksts	Quantity	Unit
2	6.362-468.0	Gredzenblīve, pilns komplekts 1ST.-R.	1.000	ST



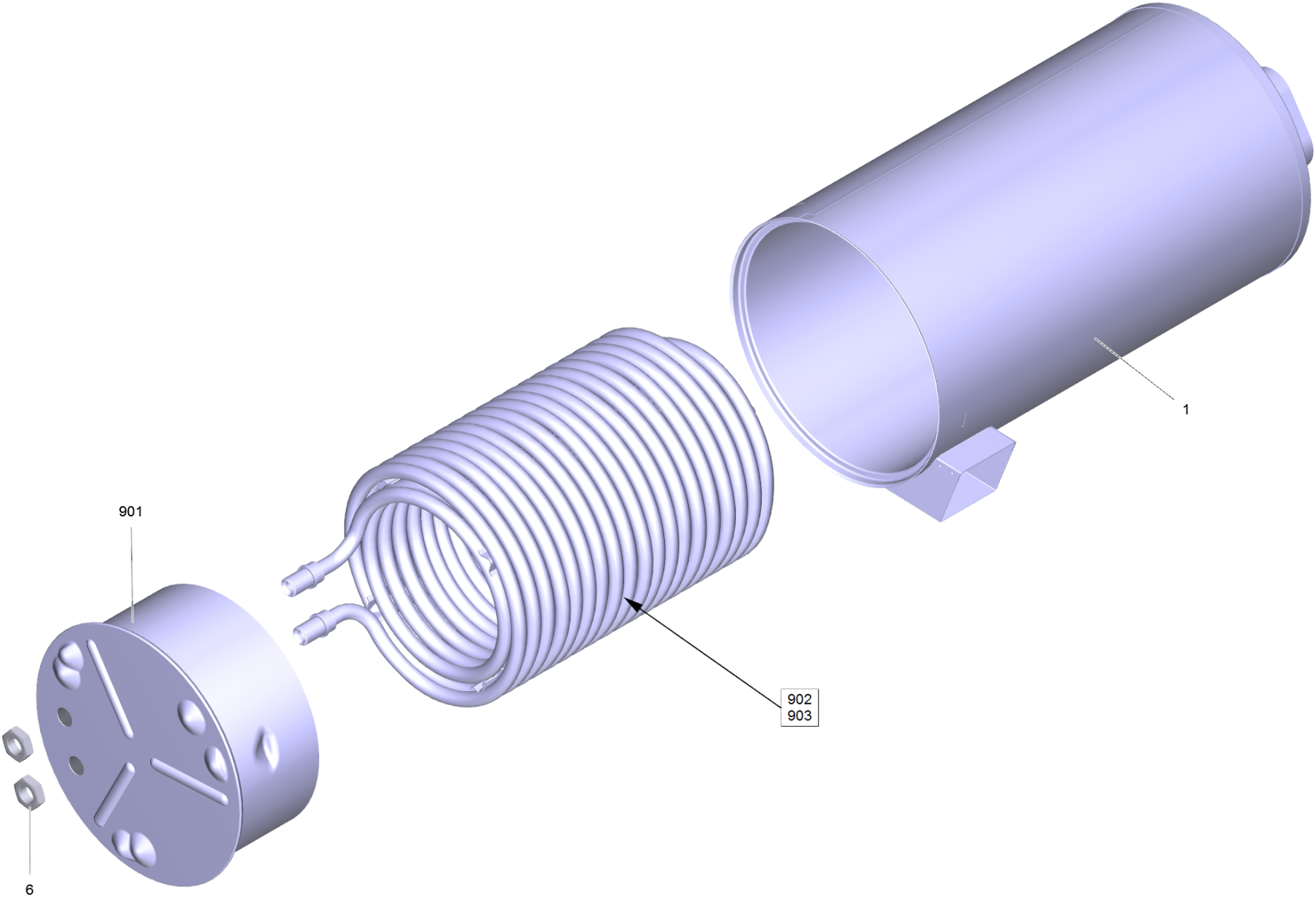
4 Valve complete (4.580-594.0)

POS	Preces Nr.	Apraksts	Quantity	Unit
5	6.362-381.0	Gredzenblīve 13x2 - NBR 70	1.000	ST



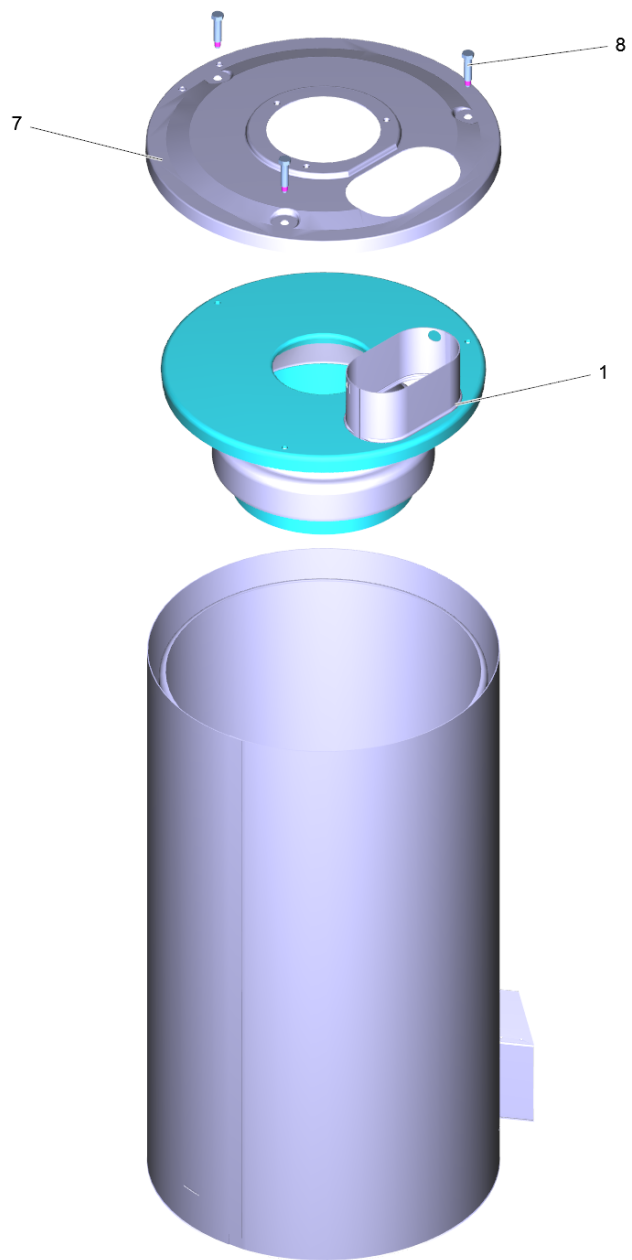
903 Motor complete nur fuer Ersatz (4.624-027.0)

POS	Preces Nr.	Apraksts	Quantity	Unit
2	5.061-186.0	Bearing cover B	1.000	ST
25	7.306-041.0	cylinder head screw	1.000	ST
11	6.401-253.0	Lodīšu gultnis 6305-2Z	1.000	ST
17	6.869-072.0	Metal bonding agent	0.001	ZST
9	6.343-010.0	Montāžas distancgredzens 62x10	1.000	ST
12	6.362-028.0	O-Ring seal 11x2,2 NBR 70	1.000	ST
29	7.318-030.0	Parallel key 6x6x25 -C45R DIN 6885-1	1.000	ST
7	5.411-100.0	screw plug	1.000	ST
21	6.303-515.0	Self-tapping screw M6x25	4.000	ST
10	6.401-405.0	taper roller bearing	1.000	ST
27	7.312-159.0	toothed lock washer	1.000	ST
32	7.367-009.0	Vārpstas blīvslēgs A35x52x7-NBR DIN	1.000	ST
3	5.115-565.0	washer	1.000	ST
999	4.120-247.0	Wobble plate complete only for replaceme	1.000	ST



7 Boiler

POS	Preces Nr.	Apraksts	Quantity	Unit
901	4.655-044.0	Bottom pressure boiler	1.000	ST
903	4.680-135.0	Heating coil	1.000	ST
902	4.680-114.0	Heating coil VA	1.000	ST
6	7.311-155.0	hexagon nut	2.000	ST
1	4.652-147.0	Outer covering complete	1.000	ST

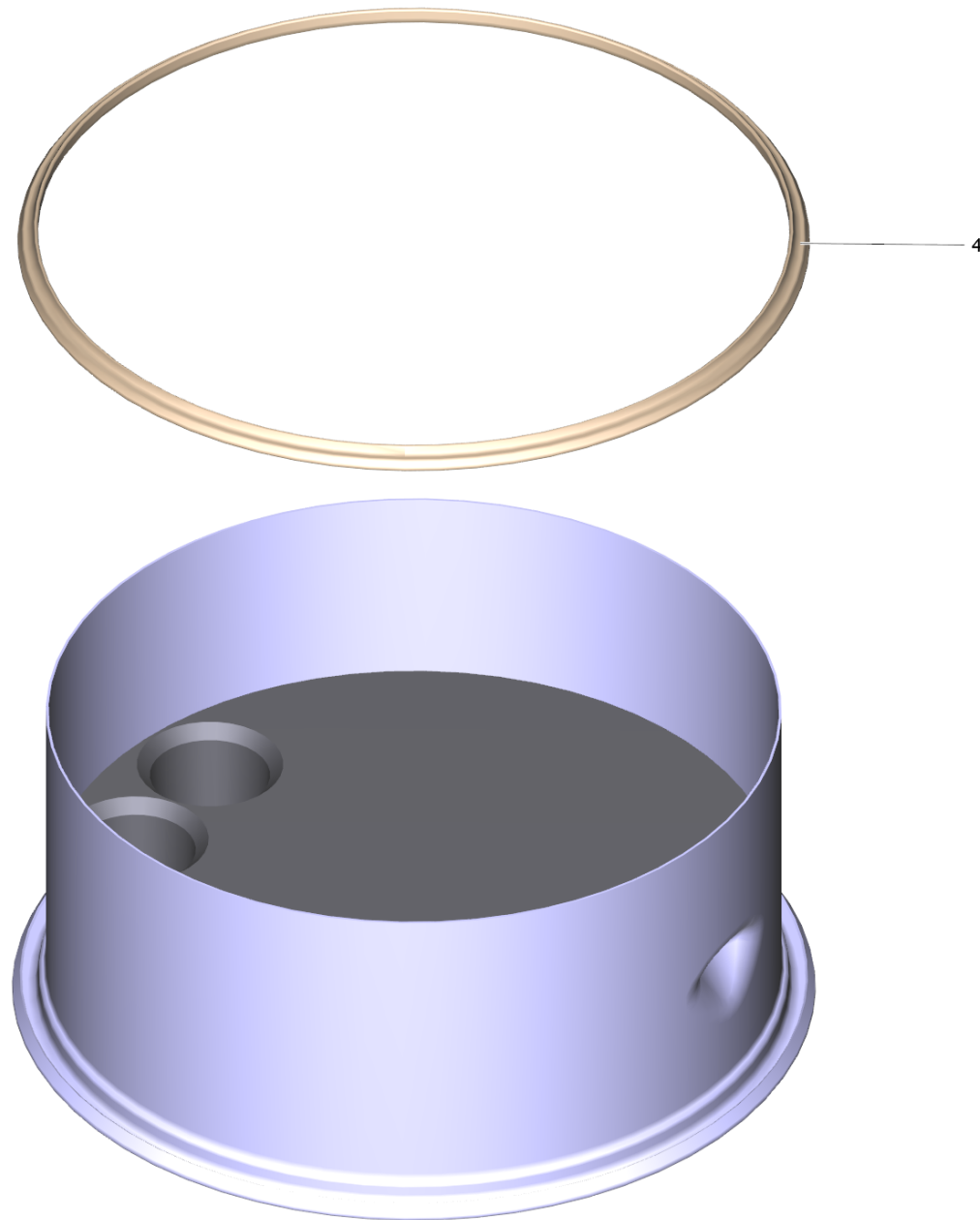


1 Outer covering complete (4.652-147.0)

POS	Preces Nr.	Apraksts	Quantity	Unit
1		Burner cage	1.000	ST
7	5.654-051.0	Cover pressure boiler	1.000	ST
8	6.303-258.0	Self-tapping screw	3.000	ST

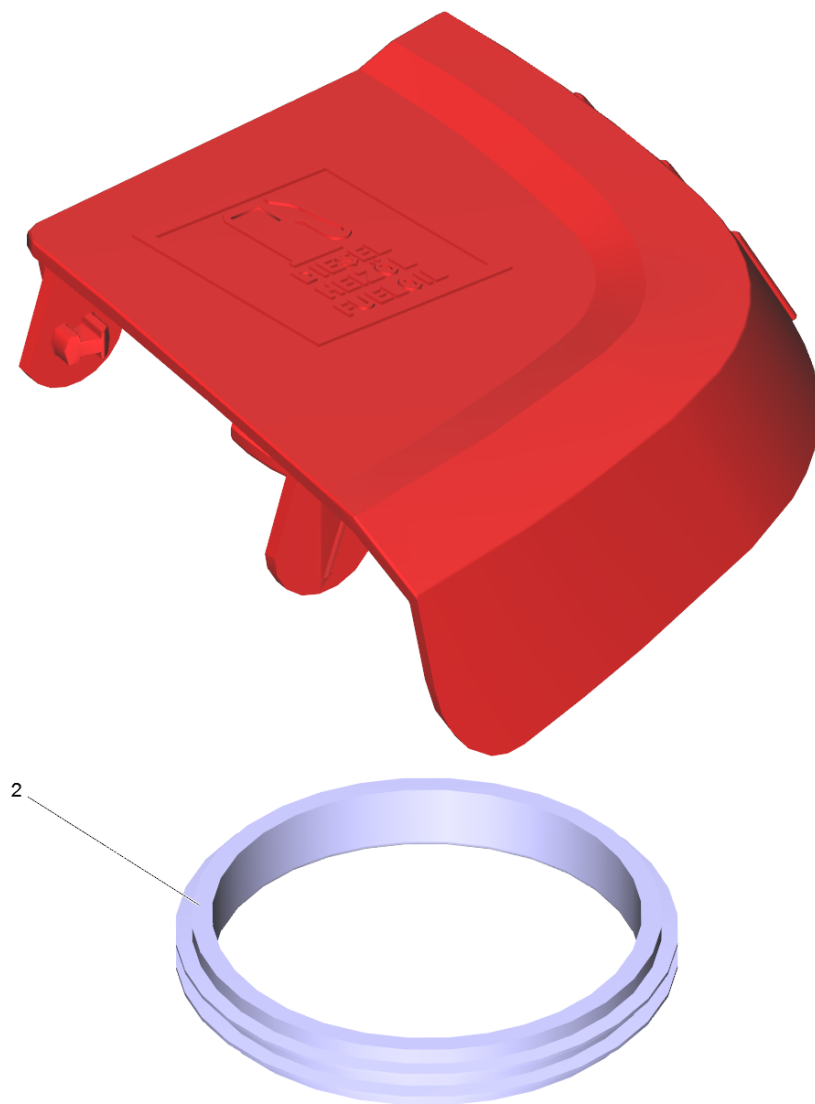
1 Burner cage

POS	Preces Nr.	Apraksts	Quantity	Unit
1	4.663-131.0	Burner cage	1.000	ST



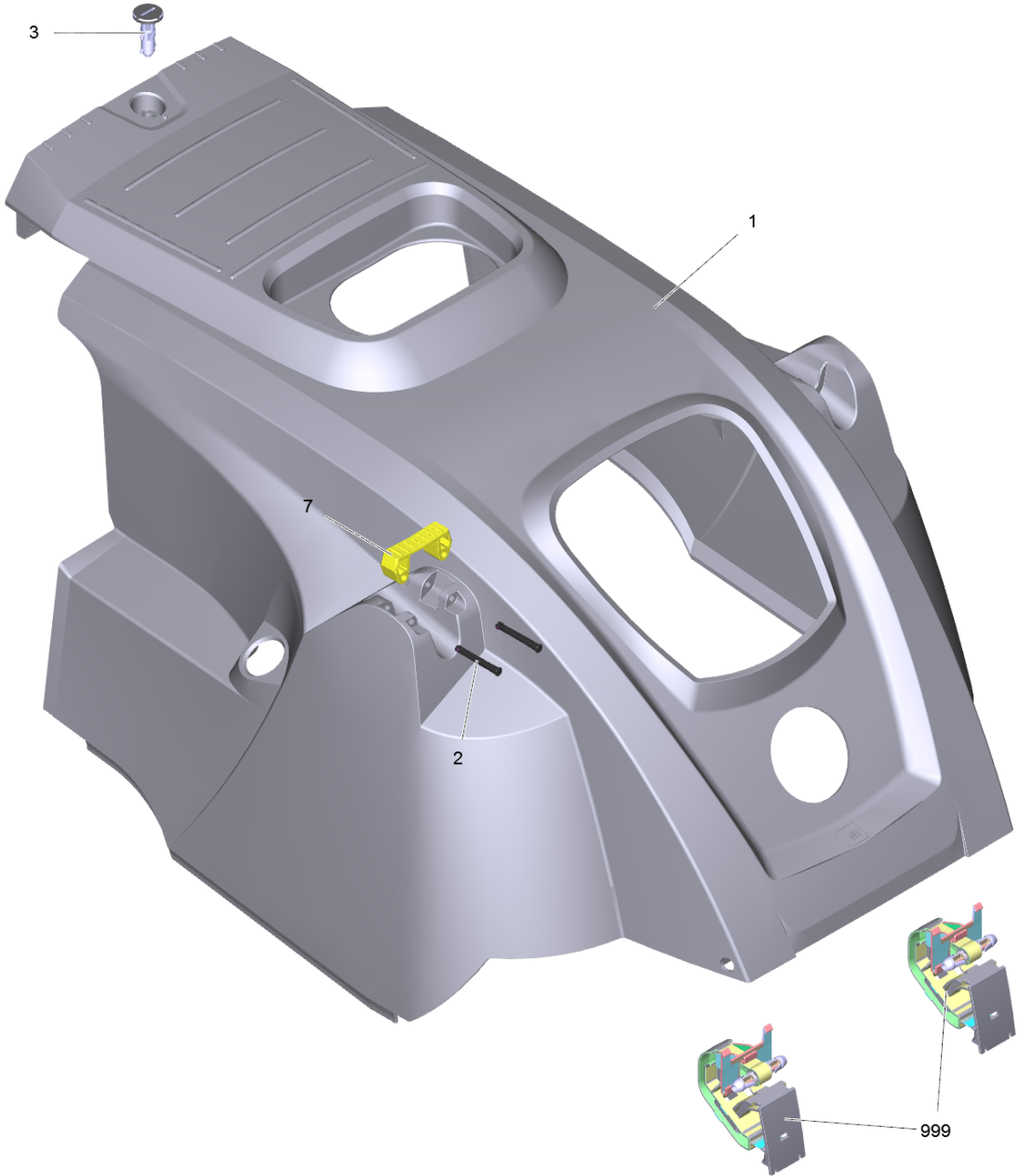
901 Bottom pressure boiler (4.655-044.0)

POS	Preces Nr.	Apraksts	Quantity	Unit
4	6.366-009.0	Blīvējoša aukla	1.000	ST
6	6.869-024.0	Quick-bonding agent	0.004	ZST



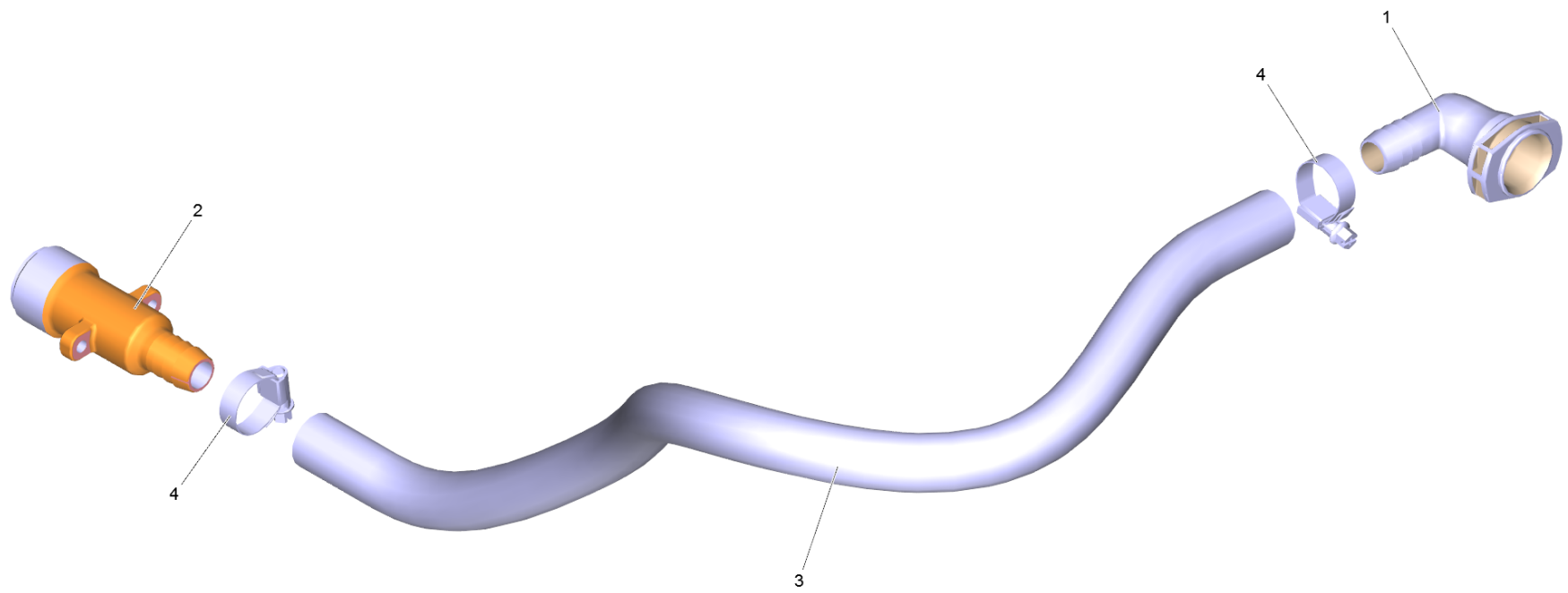
12 Cover fuel complete (4.064-021.0)

POS	Preces Nr.	Apraksts	Quantity	Unit
2	5.363-300.0	Joint ring	1.000	ST



16 Device cover complete

POS	Preces Nr.	Apraksts	Quantity	Unit
3	5.317-765.0	Bolt closure cover	1.000	ST
1	5.069-386.0	Device cover Grau HDS-C Neu	1.000	ST
7	5.424-162.0	Fixing jet pipe	1.000	ST
2	5.314-143.0	Pin fixing jet pipe	2.000	ST
999	2.885-272.0	Spare part set hinge cover	1.000	ST

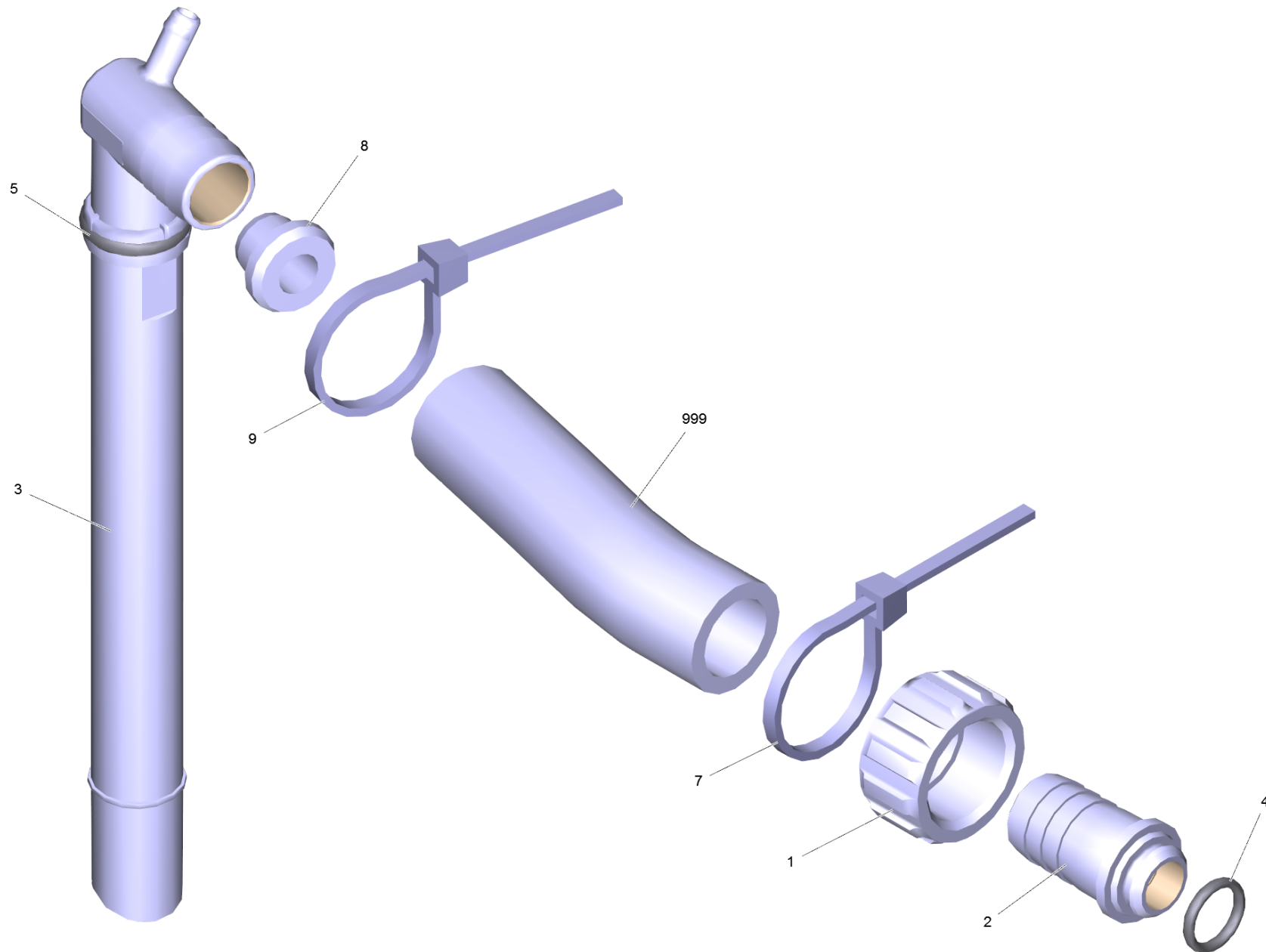


22 Hose intake

POS	Preces Nr.	Apraksts	Quantity	Unit
2	5.427-432.0	Caurulvads	1.000	ST
4	7.373-022.0	Hose clip	2.000	ST
3		Piece of tube	1.000	ST
1	5.427-415.0	Sazarojuma detaļa	1.000	ST

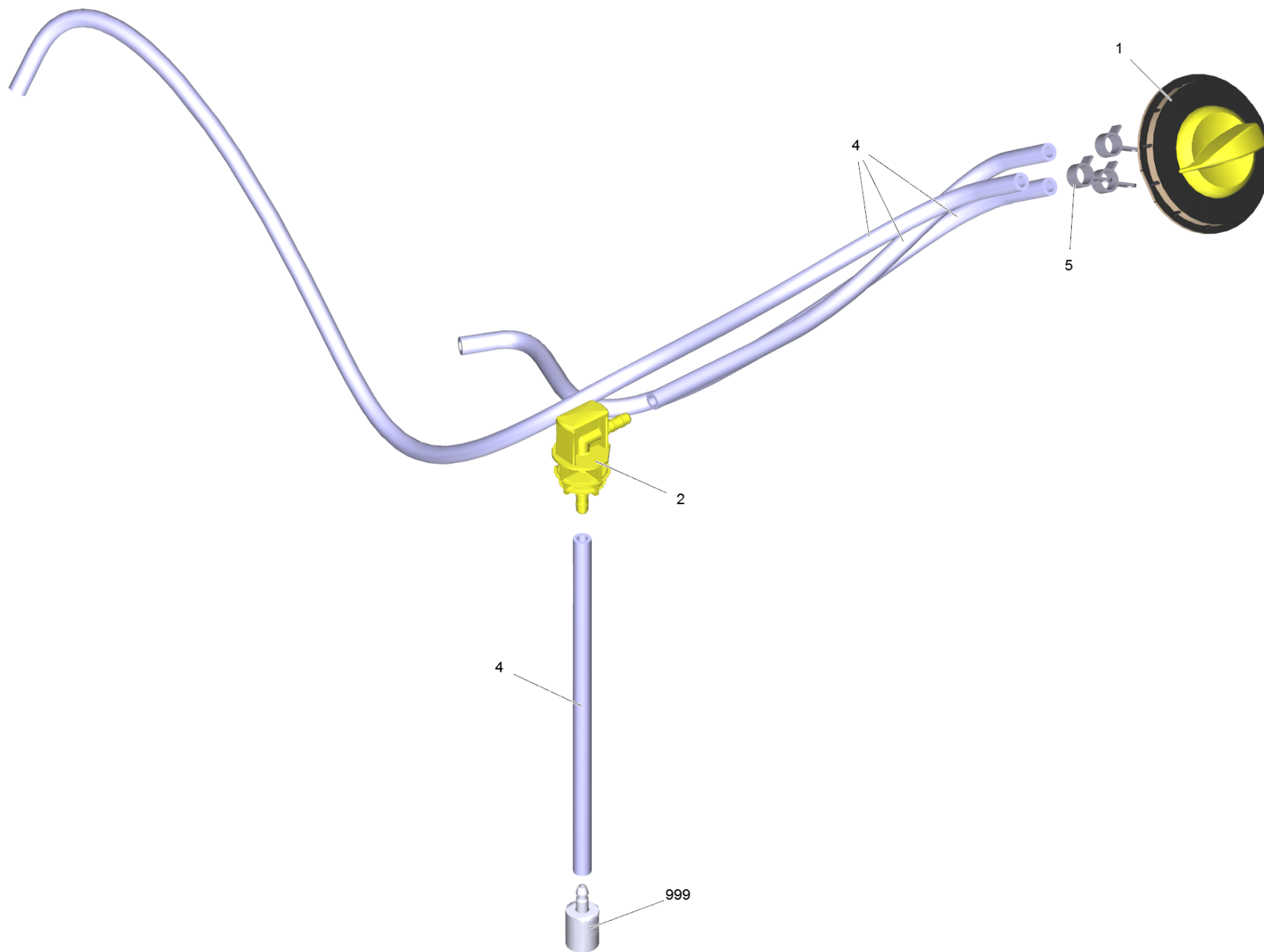
3 Piece of tube

POS	Preces Nr.	Apraksts	Quantity	Unit
1	6.388-719.0	Hose DN17	0.695	M



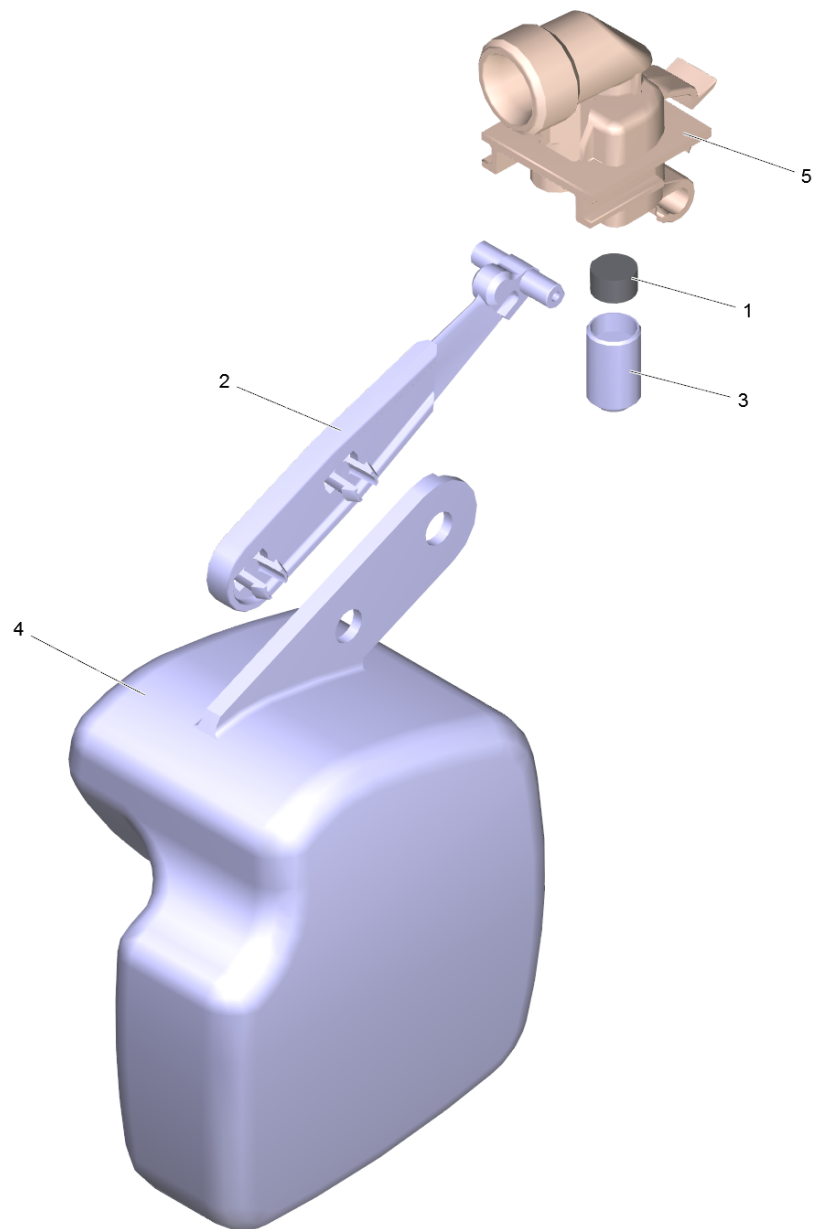
24 Hose pump

POS	Preces Nr.	Apraksts	Quantity	Unit
8	5.112-411.0	Bush	1.000	ST
4	6.362-078.0	Gredzenblīve 13,3x2,4	1.000	ST
5	6.362-161.0	Gredzenblīve 19,3 X 2,4	1.000	ST
2	5.443-312.0	Hose stem	1.000	ST
7	6.641-474.0	Kabeļu aptvere 8-210	2.000	ST
1	5.310-167.0	Nut G 3/4"	1.000	ST
999	6.391-612.0	Piece of tube only for replacement	1.000	ST
3	5.443-553.0	Savienojums	1.000	ST



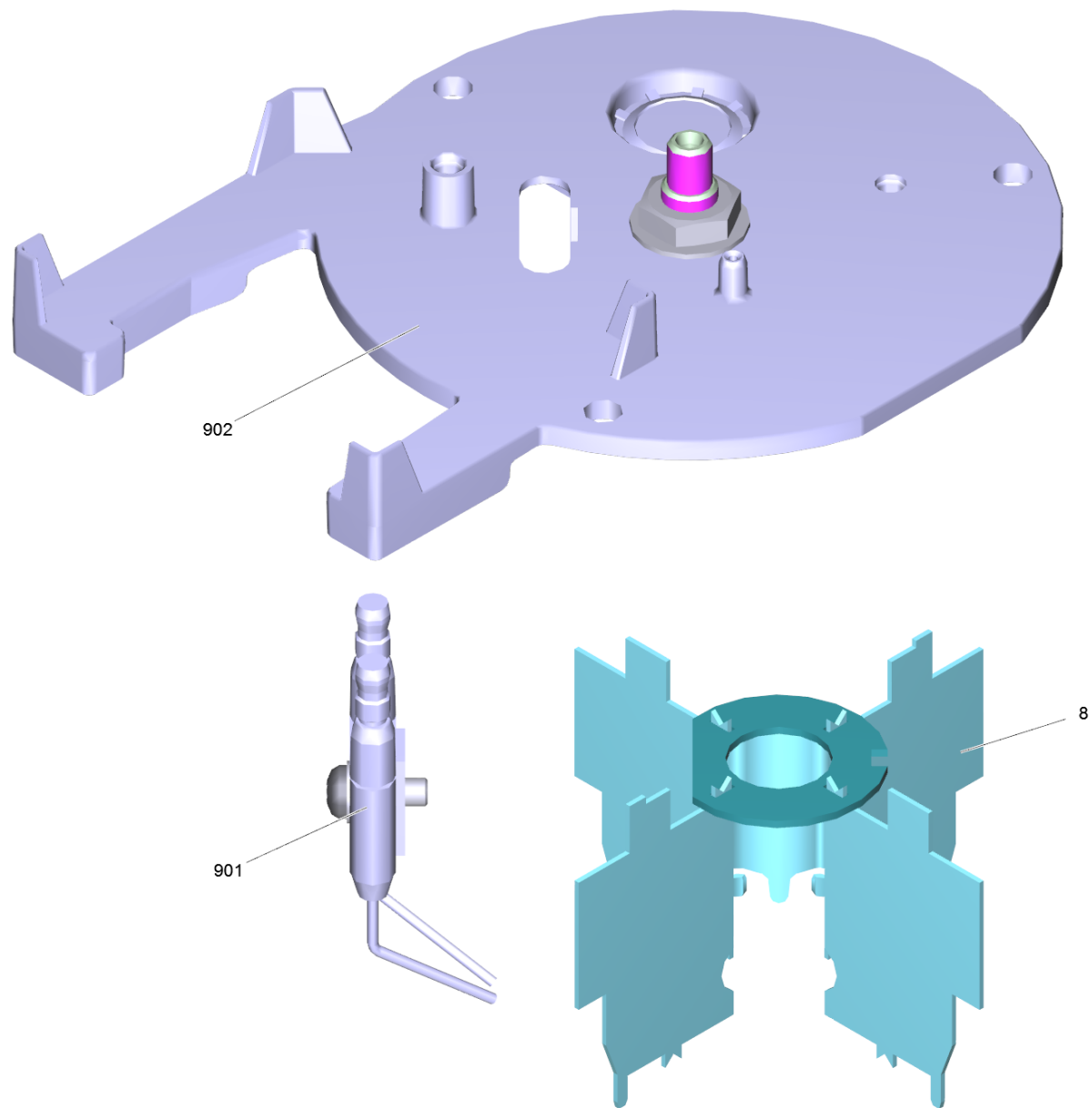
29 Valve cleaning agents complete

POS	Preces Nr.	Apraksts	Quantity	Unit
999	5.731-652.0	Filtrs ar atsvariņu	1.000	ST
5	6.388-559.0	Hose clip	3.000	ST
2	5.132-195.0	Plug aspiration chemistry	1.000	ST
1	4.063-873.0	Proportioning valve chemistry	1.000	ST
4	6.391-341.0	Tīrīšanas līdzekļa šļūtene DN 6 modelim	2.120	M



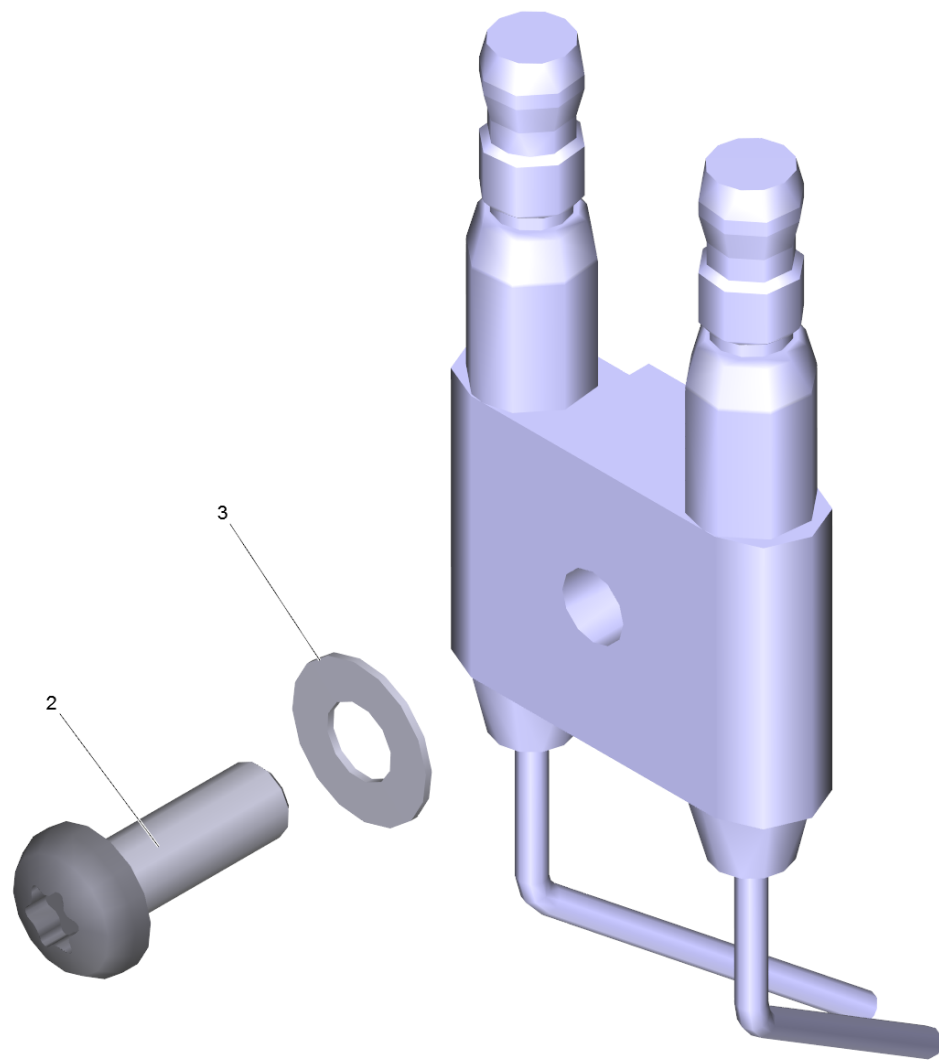
30 Float valve

POS	Preces Nr.	Apraksts	Quantity	Unit
4	5.585-055.0	Float	1.000	ST
1	5.364-095.0	Plakana blīve	1.000	ST
2	5.481-256.0	Svira	1.000	ST
3	5.584-085.0	Vārsta ass	1.000	ST
5	5.587-214.0	Vārsta korpuss	1.000	ST



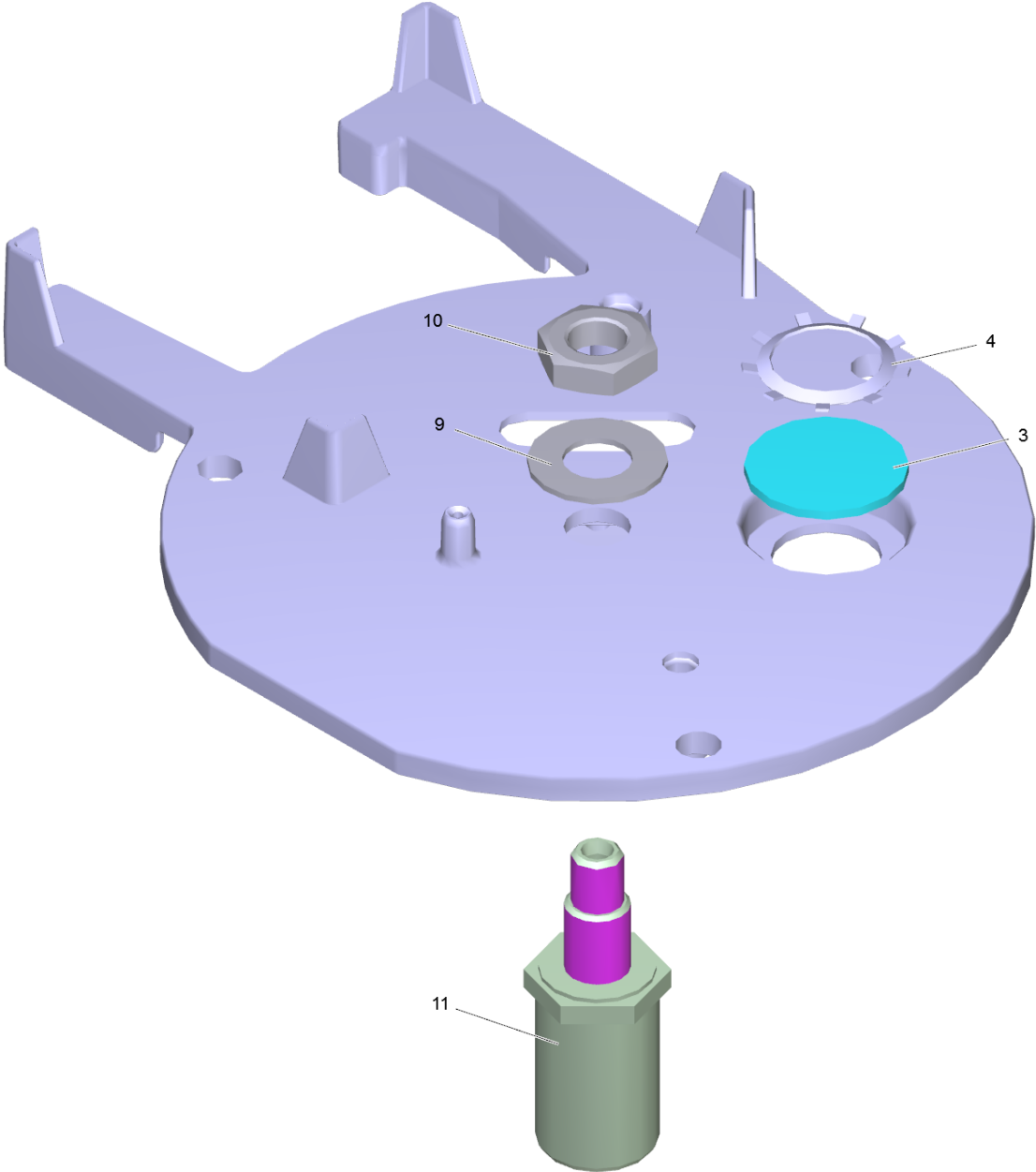
31 Cover pressure boiler

POS	Preces Nr.	Apraksts	Quantity	Unit
8	4.663-073.0	Burner cage	1.000	ST
901	2.638-974.0	Conversion kit ignition electrode	1.000	ST
902	4.654-288.0	Cover pressure boiler only for replaceme	1.000	ST



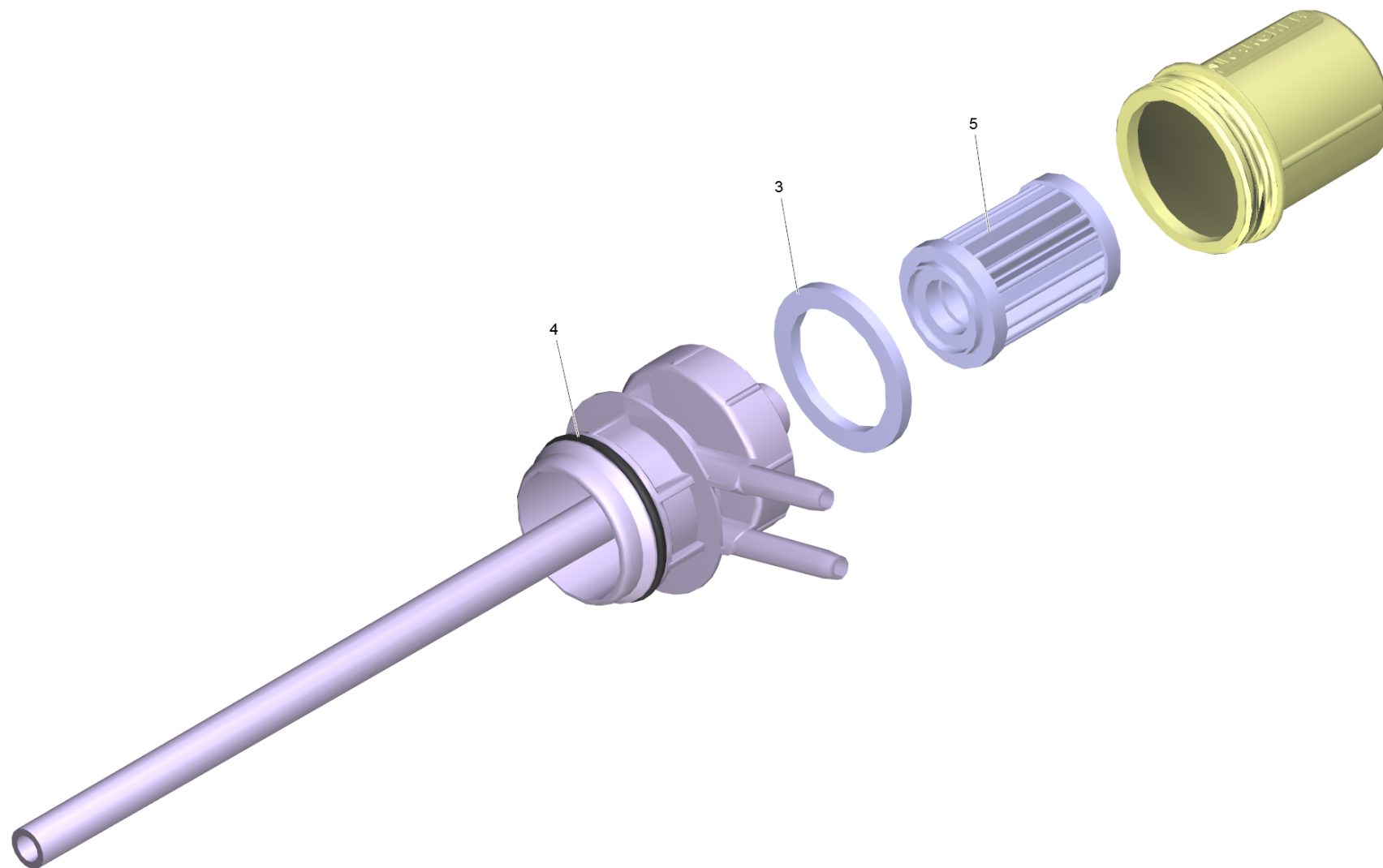
901 Conversion kit ignition electrode (2.638-974.0)

POS	Preces Nr.	Apraksts	Quantity	Unit
2	7.306-217.0	Screw M5x14 -8.8-R2R (In6Rd)	1.000	ST
3	7.312-304.0	Spring washer B 5-FST-A2E DIN 137	1.000	ST



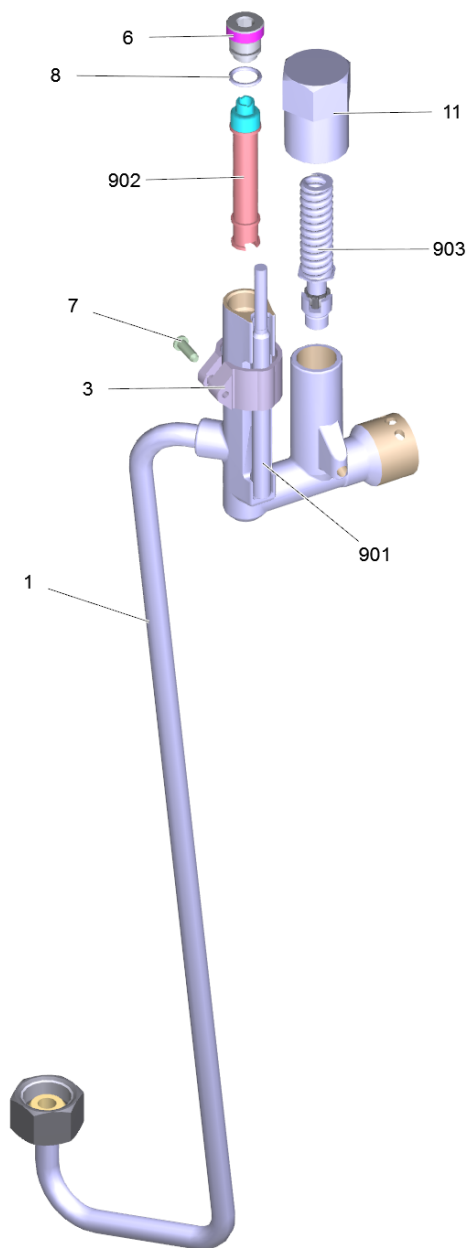
902 Cover pressure boiler only for replaceme (4.654-288.0)

POS	Preces Nr.	Apraksts	Quantity	Unit
10	7.311-101.0	Hexagon nut	1.000	ST
4	6.343-165.0	Serrated ring	1.000	ST
11	5.667-055.0	Sprauslas turētājs	1.000	ST
9	7.312-302.0	Spring washer	1.000	ST
3	6.278-018.0	Stikls	1.000	ST



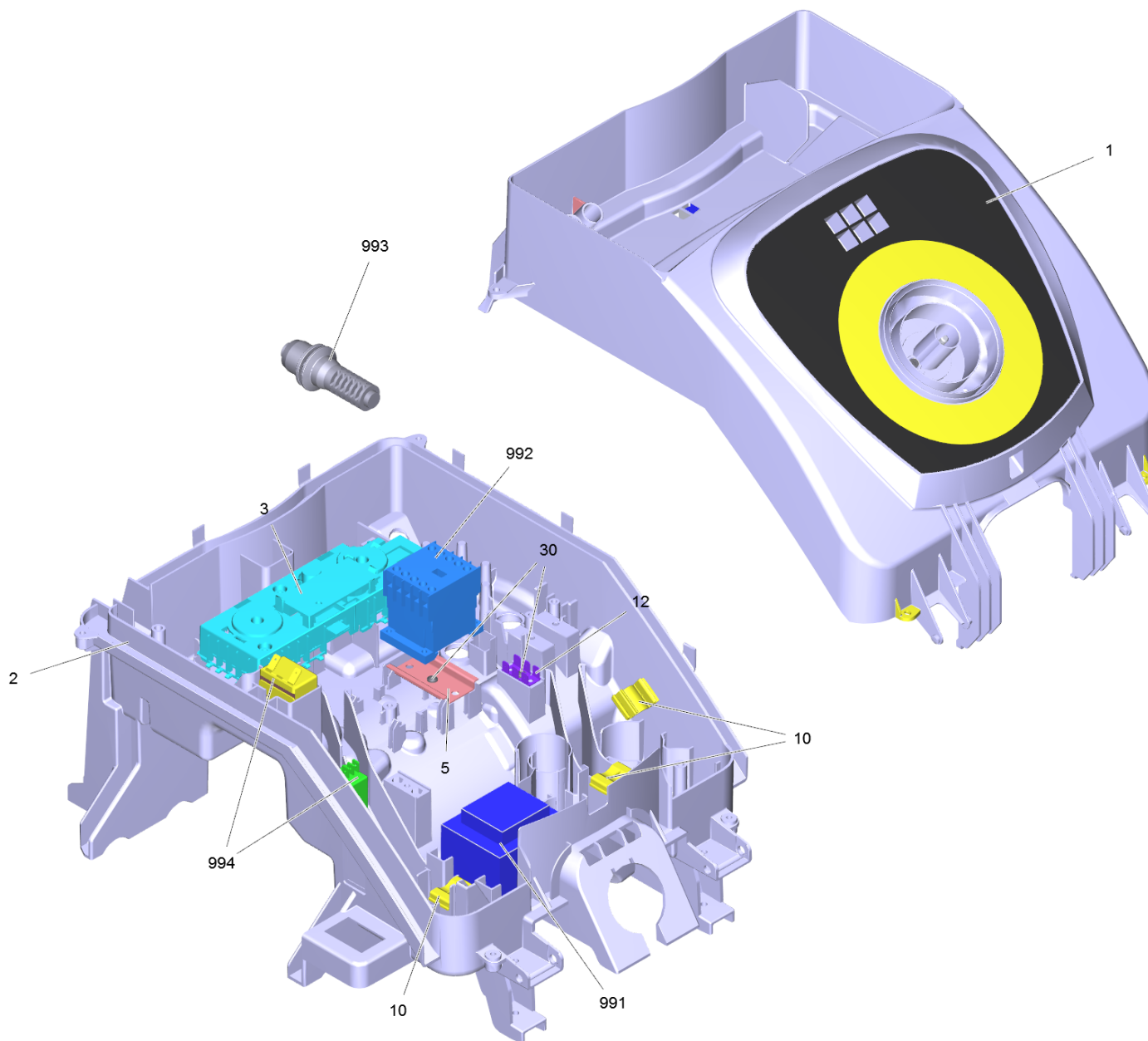
35 Filter complete fuel (4.730-163.0)

POS	Preces Nr.	Apraksts	Quantity	Unit
3	5.363-629.0	Blīve	1.000	ST
5	6.414-559.0	Degvielas filtrs	1.000	ST
4	6.363-579.0	O-Ring seal 35 x 2,5	1.000	ST



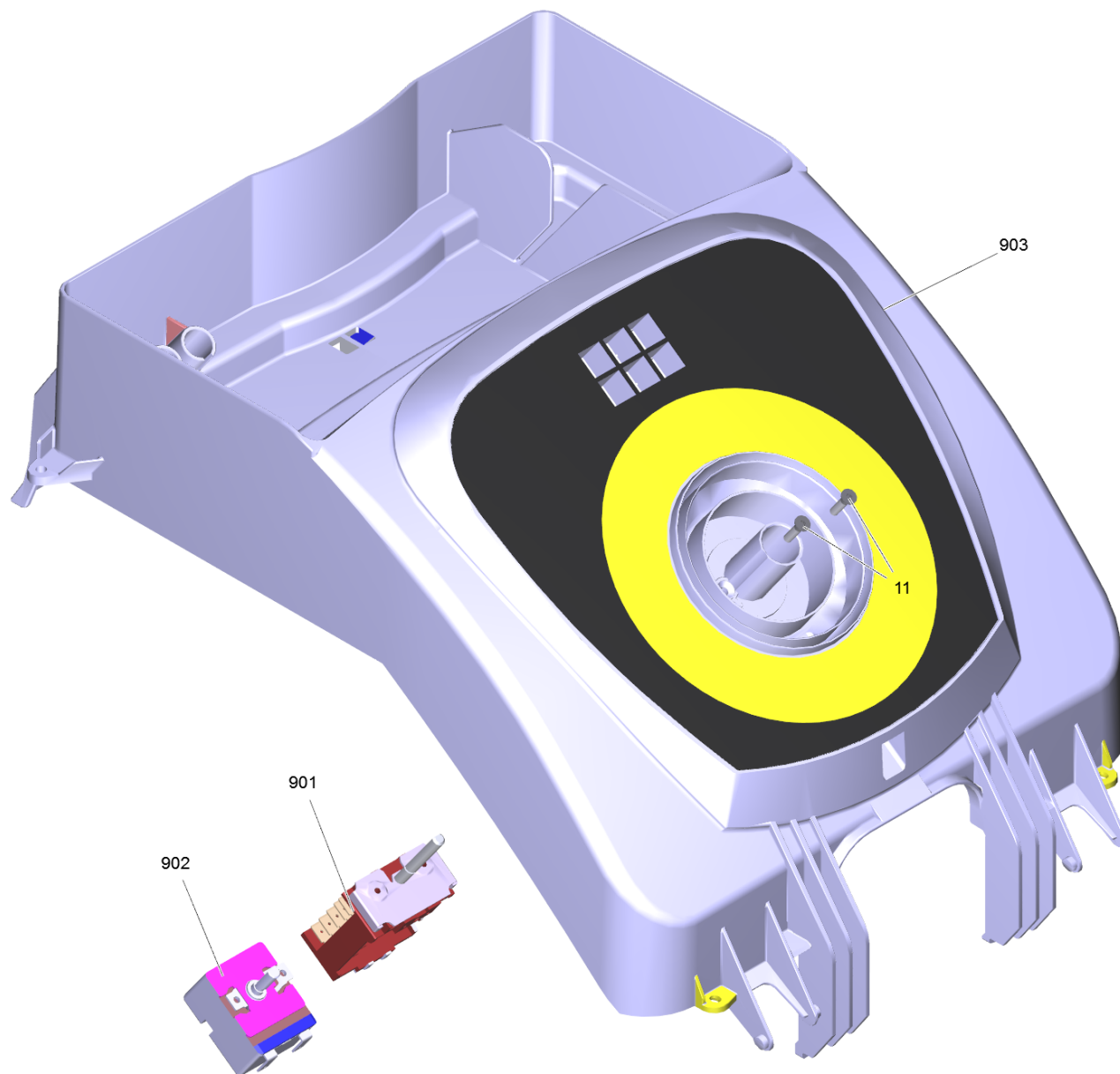
42 Safety system

POS	Preces Nr.	Apraksts	Quantity	Unit
11	5.304-116.0	Adjusting screw	1.000	ST
902	4.551-058.0	Cartridge protection from 4.553-303.0	1.000	ST
3	5.041-076.0	Clamp	1.000	ST
6	5.305-162.0	Formas skrūve	1.000	ST
8	6.362-482.0	Gredzenblīve 10 x 1,5-NBR 70	1.000	ST
7	6.303-122.0	M4	1.000	ST
1	4.427-354.0	Manifold complete	1.000	ST
15	6.869-067.0	Metal bonding agent	0.002	ZST
901	2.885-051.0	Reed switch	1.000	ST
903	4.580-782.0	Safety valve only for replacement	1.000	ST



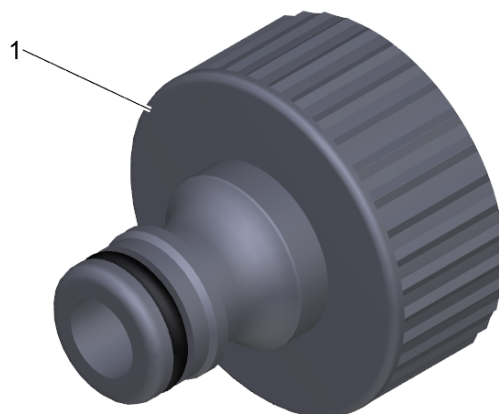
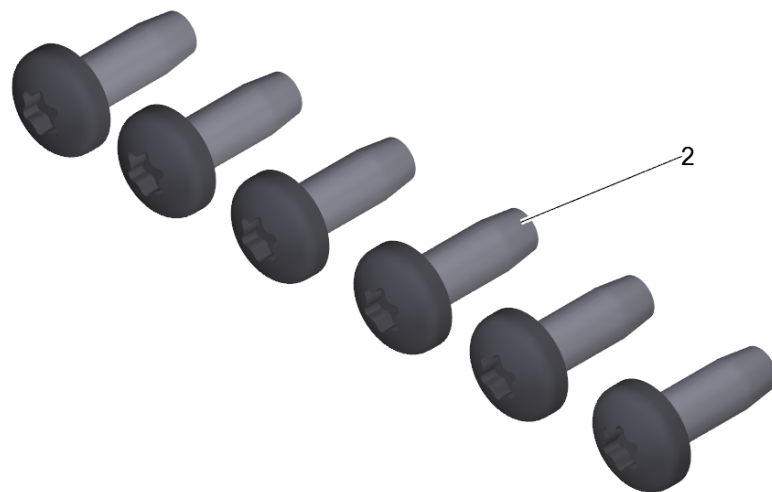
48 Electric control box complete

POS	Preces Nr.	Apraksts	Quantity	Unit
35	6.641-458.0	Cable tape	1.000	ST
36	6.641-463.0	Cable tape	2.000	ST
993	4.649-060.0	Connection cable complete only for repla	1.000	ST
992	4.632-002.0	Contactora -nur fuer Ersatz-	1.000	ST
1		Control panel complete	1.000	ST
991	4.622-023.0	Control transformer complete only for re	1.000	ST
3	4.051-148.3	Frame platine	1.000	ST
10	5.802-307.0	Holder cable	3.000	ST
5	5.802-261.0	Mounting part	1.000	ST
2	5.801-004.0	Mounting plate	1.000	ST
12	6.641-270.0	Plug	1.000	ST
30	7.303-106.0	Skrūve 4x12 -10.9-R2R (IN6RD)	2.000	ST
994	4.686-020.0	Thermostat complete only for replacement	1.000	ST



1 Control panel complete

POS	Preces Nr.	Apraksts	Quantity	Unit
903	4.841-375.0	Control panel complete only for replacem	1.000	ST
11	7.305-019.0	Countersunk screw M4x16 -8.8-R2R (In6Rd	2.000	ST
901	4.630-002.0	Switch program selection only for replac	1.000	ST
902	4.686-021.0	Thermostat complete only for replacement	1.000	ST

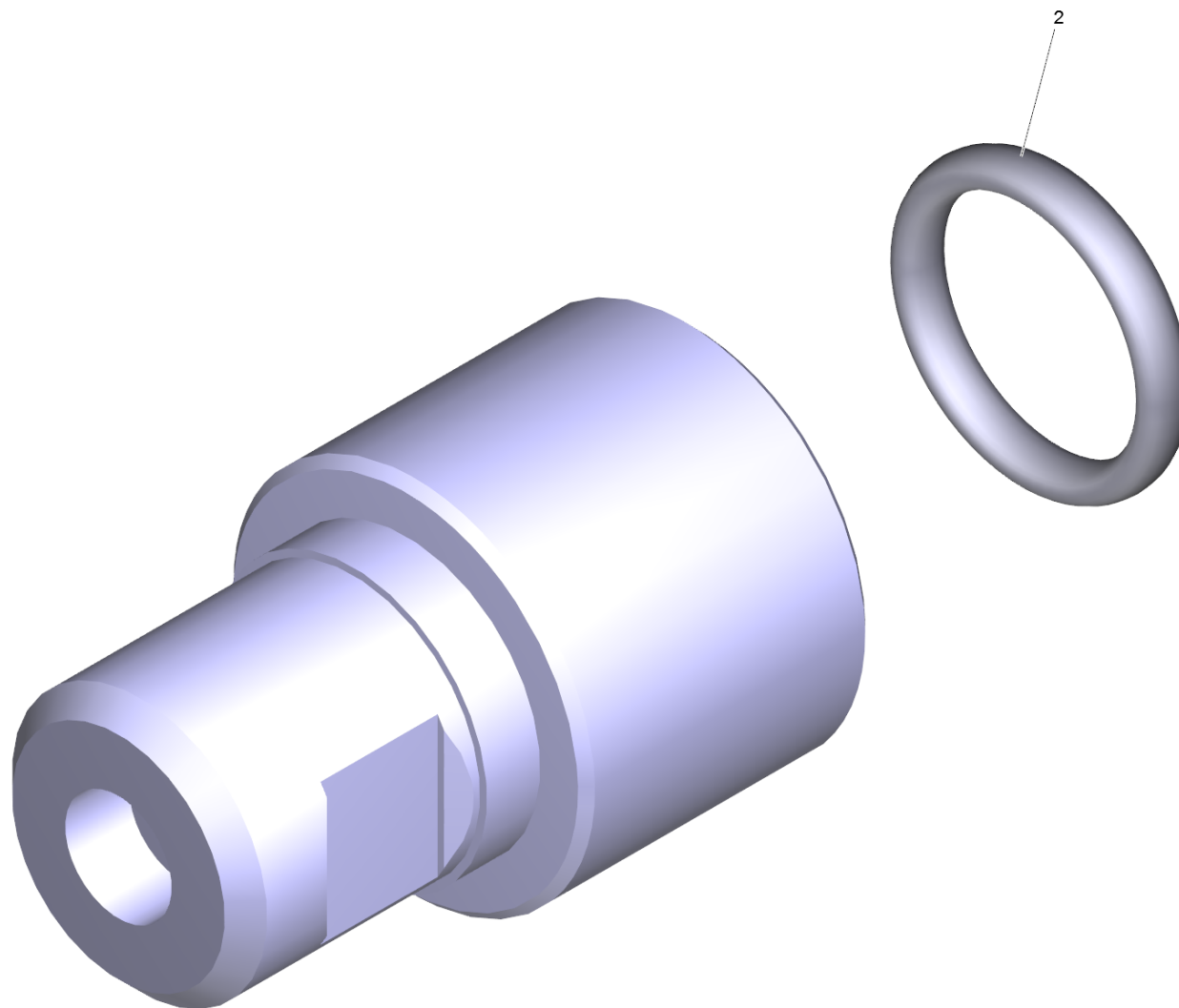


52 Set mounting parts

POS	Preces Nr.	Apraksts	Quantity	Unit
2	7.303-047.0	Screw M6x16 -St-R3R (In6Rd)	6.000	ST
1	6.645-216.0	Tap adaptor complete G1"	1.000	ST

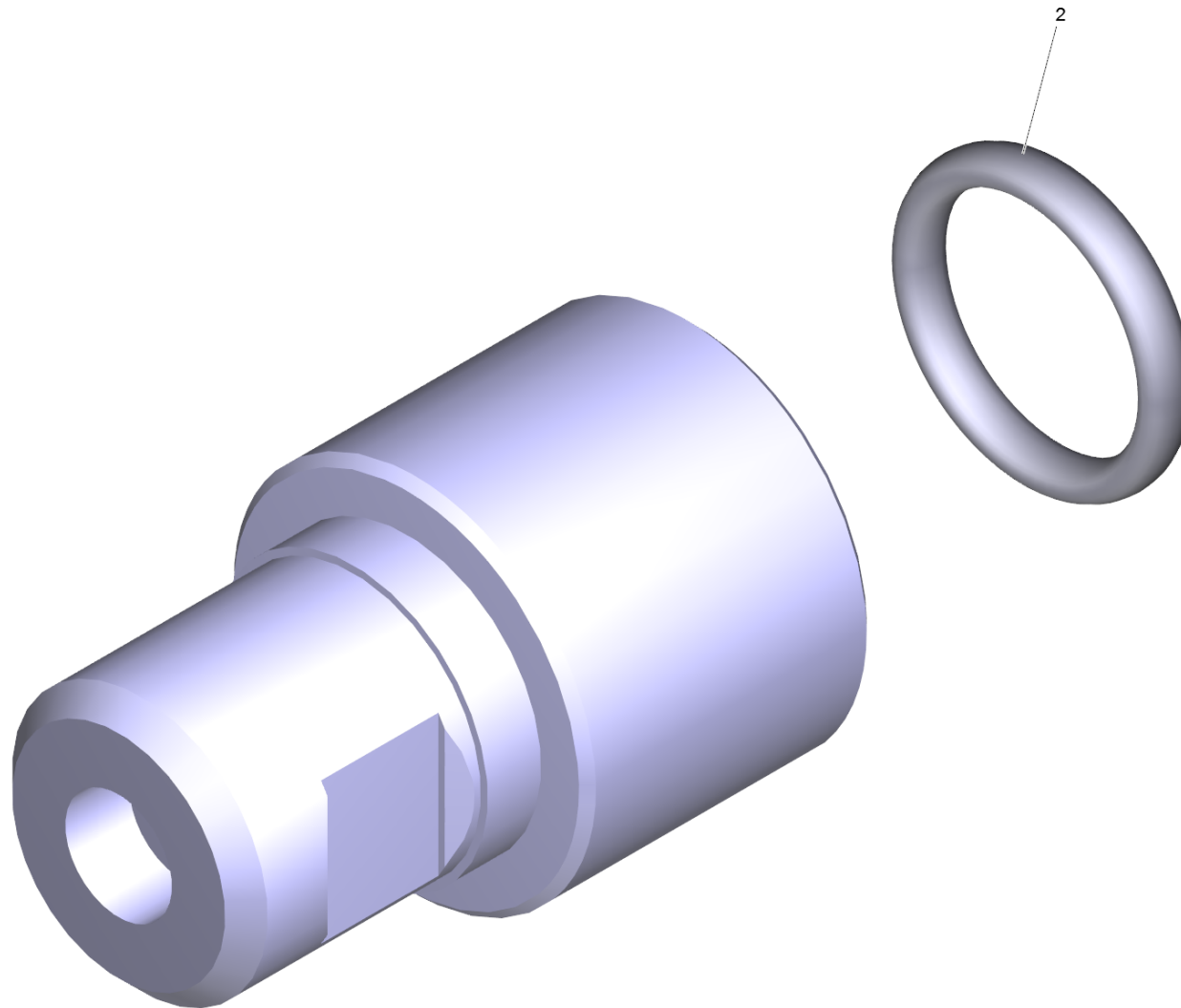
97 Piece of tube

POS	Preces Nr.	Apraksts	Quantity	Unit
1	6.391-820.0	Hose	0.180	M



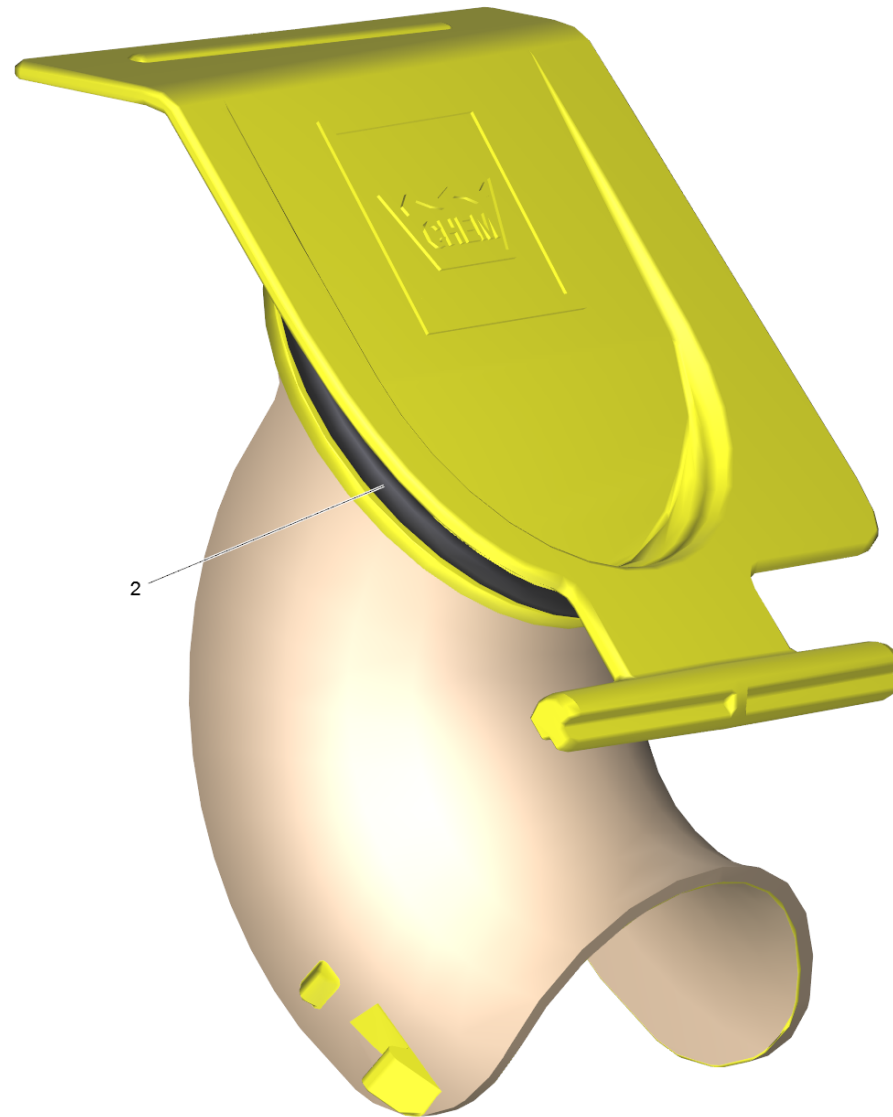
901 Power nozzle TR 25043 (2.113-008.0)

POS	Preces Nr.	Apraksts	Quantity	Unit
2	2.880-001.0	Spare part set seals TR	1.000	ST



902 Steam nozzle TR 40050 (2.114-002.0)

POS	Preces Nr.	Apraksts	Quantity	Unit
2	2.880-001.0	Spare part set seals TR	1.000	ST

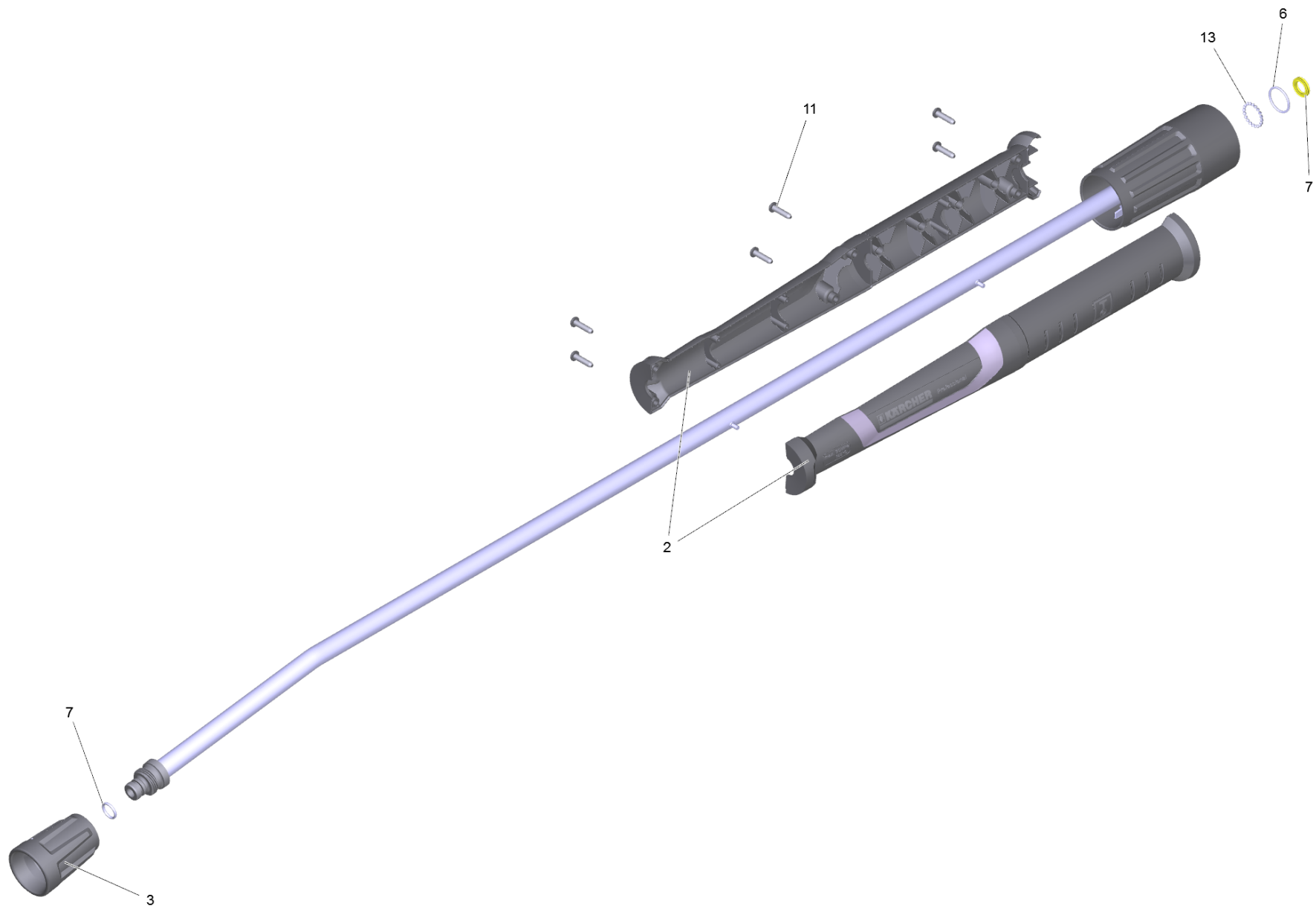


905 Cover (4.064-029.0)

POS	Preces Nr.	Apraksts	Quantity	Unit
2	6.363-564.0	O-Ring seal 65x4 NBR	1.000	ST

906 Jet pipe TR 1050 mm (4.112-000.0)

POS	Apraksts	Quantity	Unit
1	Jet pipe TR 1050 mm	1.000	ST

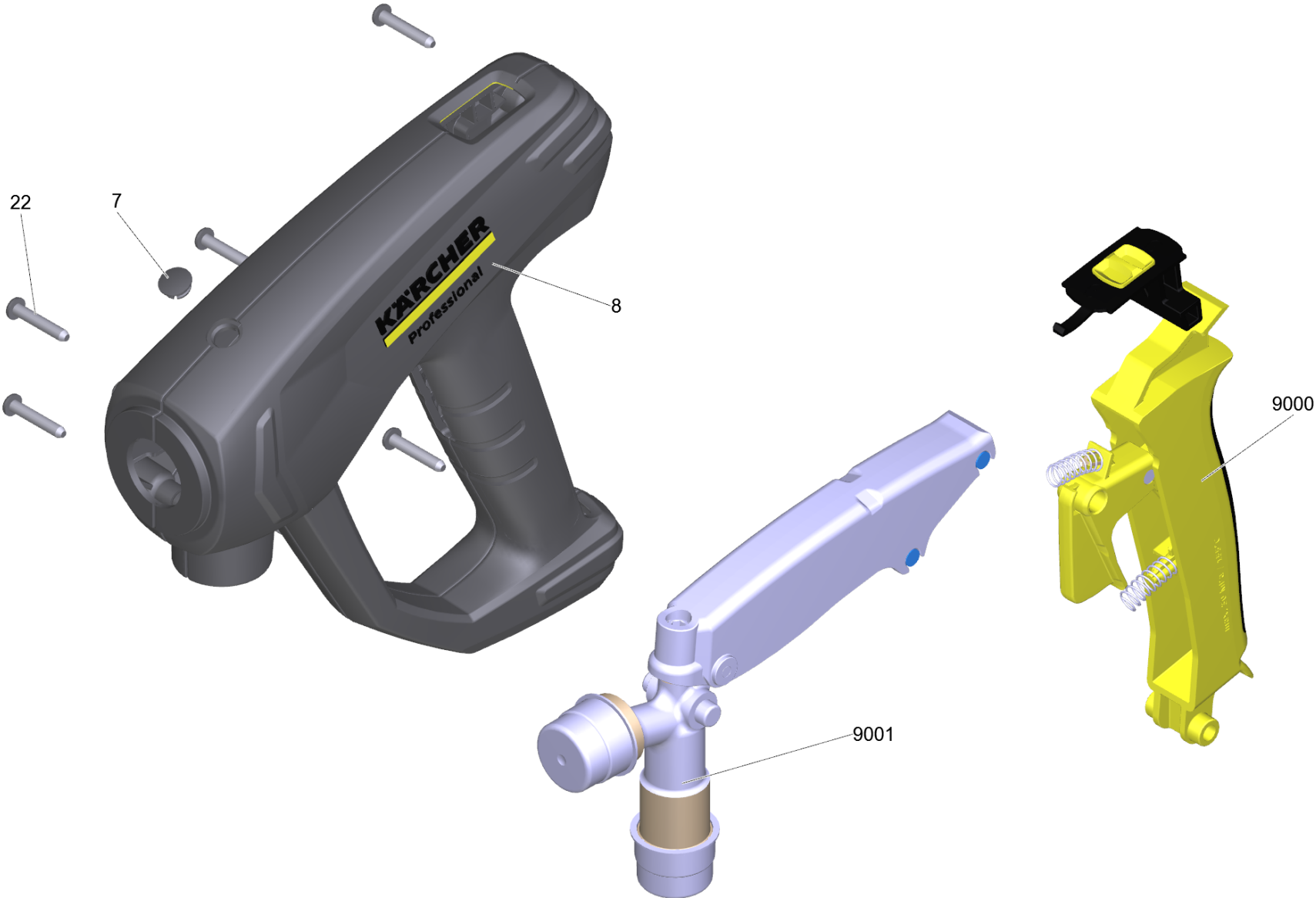


1 Jet pipe TR 1050 mm

POS	Preces Nr.	Apraksts	Quantity	Unit
2	5.321-018.3	Handle bowl jet pipe only for replacemen	1.000	ST
6	6.362-067.0	O-Ring seal 16,1x1,6	1.000	ST
3	4.112-011.0	Protection part TR only for replacement	1.000	ST
13	7.401-915.0	Sfēra 2,5 G20 -1.4034 DIN 5401	20.000	ST
11	7.303-129.0	Skrūve 4x16 -10.9-R2R (K-In6Rd)	6.000	ST
7	2.880-001.0	Spare part set seals TR	1.000	ST

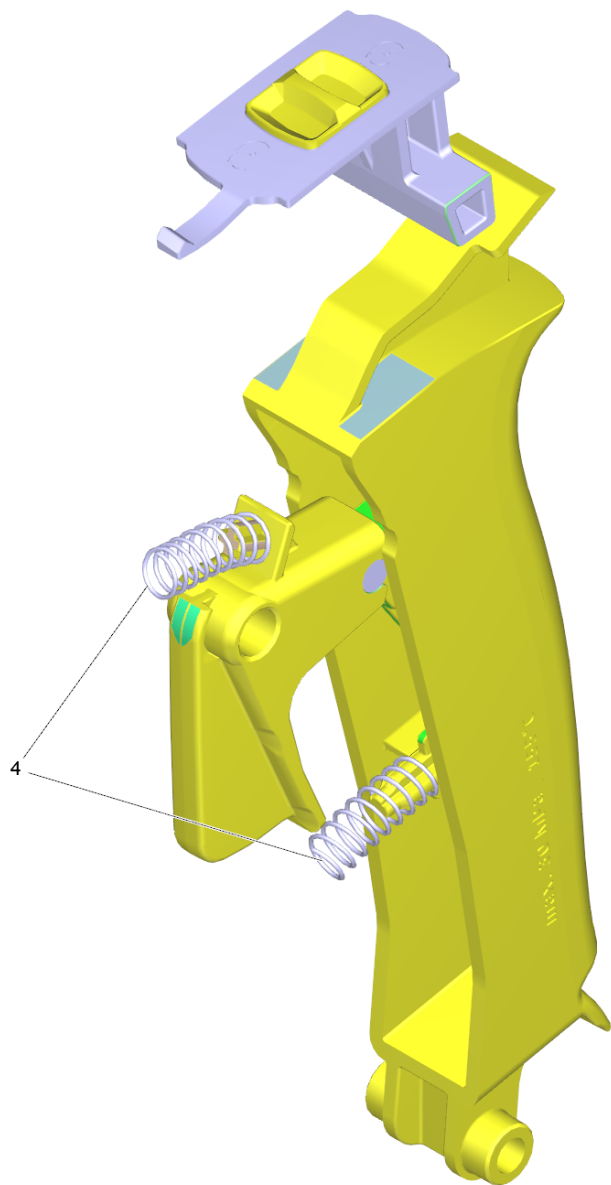
908 EASY!Force Advanced (4.118-005.0)

POS	Apraksts	Quantity	Unit
1	Hand trigger gun TR EH 155	1.000	ST



1 Hand trigger gun TR EH 155

POS	Preces Nr.	Apraksts	Quantity	Unit
8	5.321-136.3	Handhold few EH 155 only for replacement	1.000	ST
9001	4.427-014.0	Manifold TR EH 155 nur fuer Ersatz	1.000	ST
7	5.132-001.0	Plug	1.000	ST
22	7.303-096.0	Skrūve 4x22 -ST-10.9-R2R (IN6RD)	7.000	ST
9000	2.885-483.0	Spare part set lever	1.000	ST

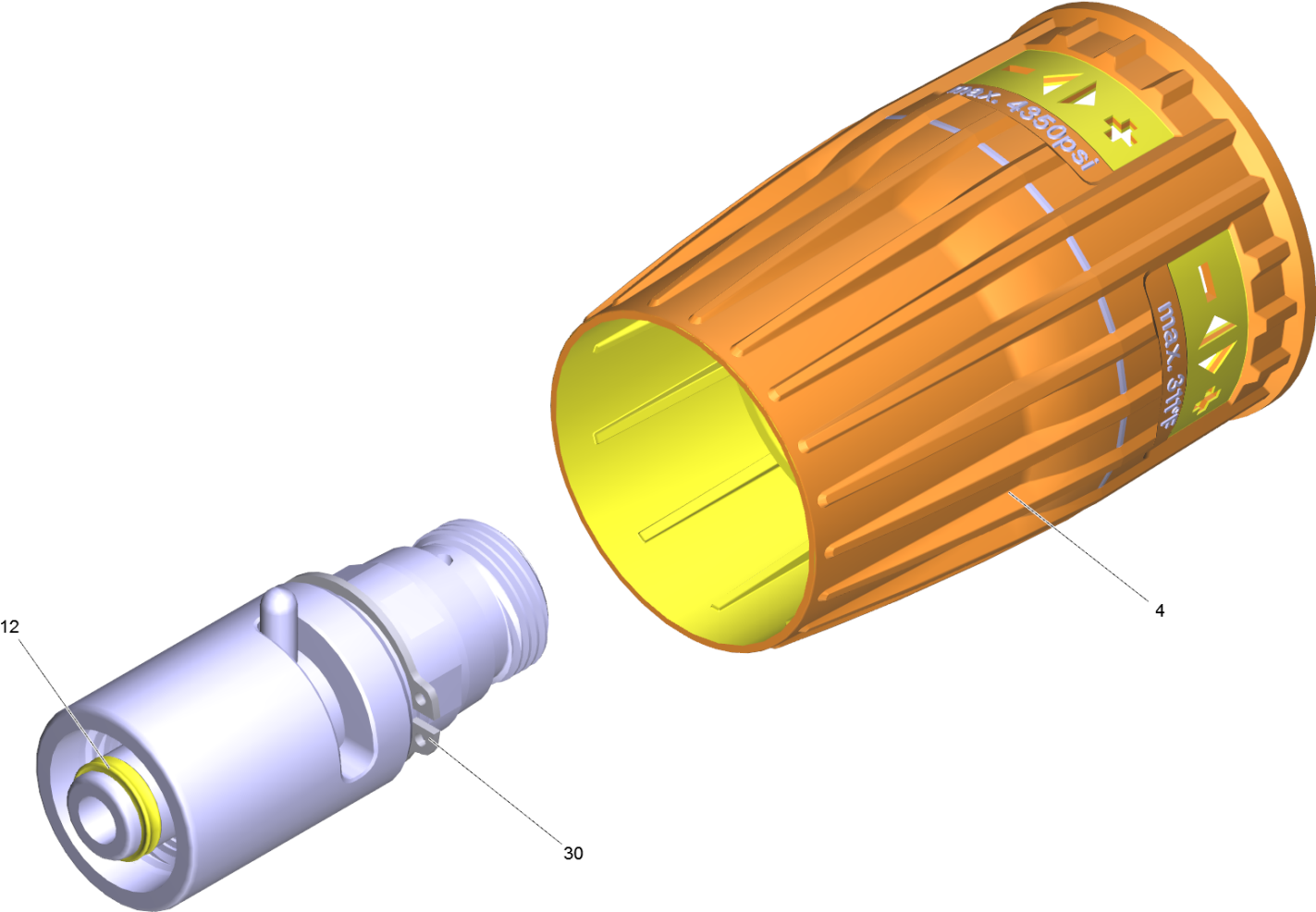


9000 Spare part set lever (2.885-483.0)

POS	Preces Nr.	Apraksts	Quantity	Unit
4	5.332-032.0	Helical spring	2.000	ST

909 Rotary controller TR 270L (4.118-007.0)

POS	Apraksts	Quantity	Unit
1	Rotary controller TR 270L	1.000	ST

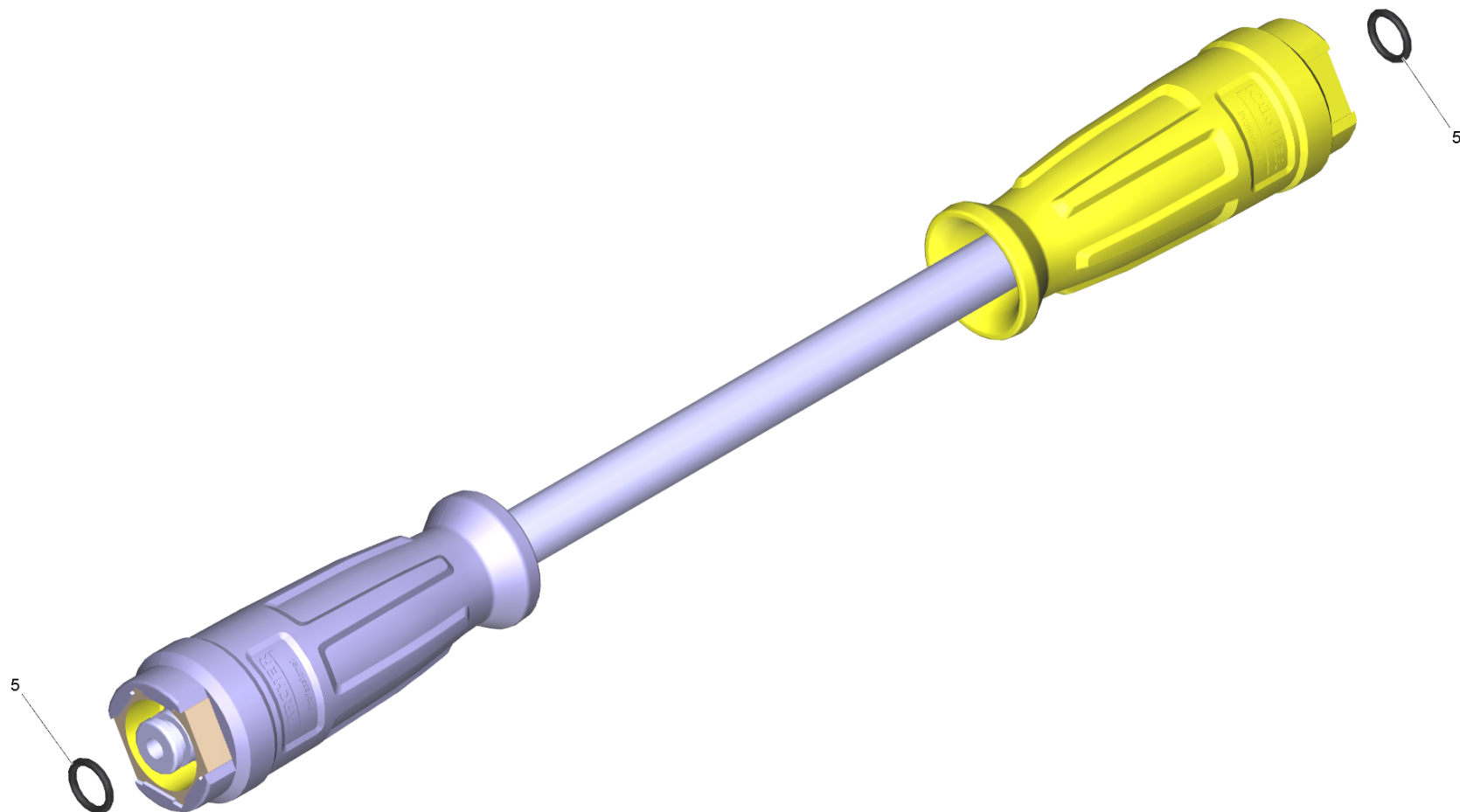


1 Rotary controller TR 270L

POS	Preces Nr.	Apraksts	Quantity	Unit
4	5.321-364.3	Handhold rotary controller	1.000	ST
30	7.343-069.0	Locking ring	1.000	ST
12	2.880-001.0	Spare part set seals TR	1.000	ST

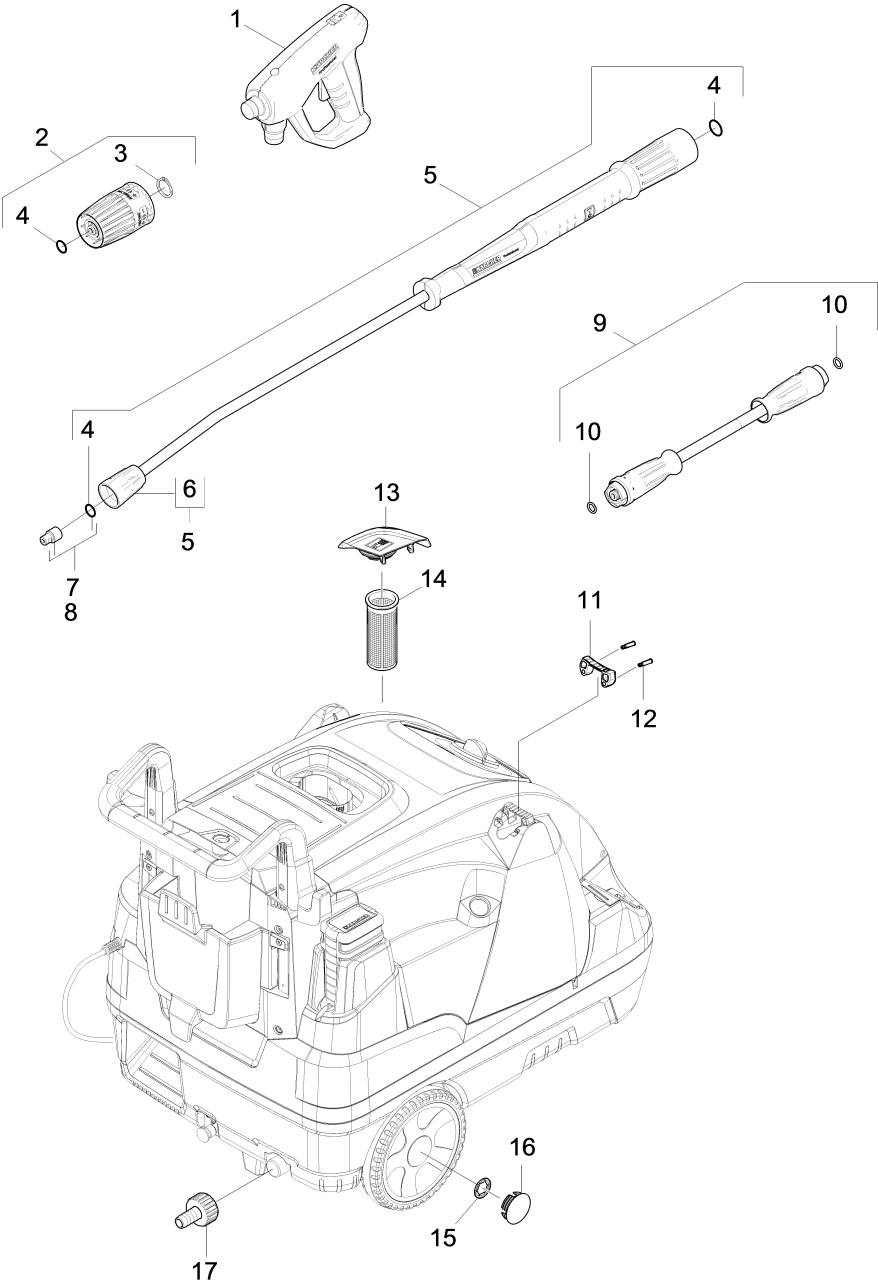
915 Hose assembly TR rotatable DN6 25MPa 10m (6.110-035.0)

POS	Apraksts	Quantity	Unit
1	Hose assembly TR rotatable DN6 25MPa 10m	1.000	ST



1 Hose assembly TR rotatable DN6 25MPa 10m

POS	Preces Nr.	Apraksts	Quantity	Unit
5	2.880-154.0	O-Ring kit	1.000	ST



1030 Short spare parts list

POS	Preces Nr.	Apraksts	Quantity	Unit
13	4.064-021.0	Cover fuel complete	1.000	ST
1	4.118-005.0	EASY!Force Advanced	1.000	ST
14	5.731-039.0	Filter	1.000	ST
11	5.424-162.0	Fixing jet pipe	1.000	ST
9	6.110-035.0	Hose assembly TR rotatable DN6 25MPa 10m	1.000	ST
5	4.112-000.0	Jet pipe TR 1050 mm	1.000	ST
3	7.343-069.0	Locking ring	1.000	ST
10	2.880-154.0	O-Ring kit	1.000	ST
12	5.314-143.0	Pin fixing jet pipe	2.000	ST
7	2.113-008.0	Power nozzle TR 25043	1.000	ST
6	4.112-011.0	Protection part TR only for replacement	1.000	ST
2	4.118-009.0	Rotary controller TR 700L	1.000	ST
17	2.640-492.0	Set water connection 1 "	1.000	ST
16	2.889-086.0	Set wheel cap	2.000	ST
4	2.880-001.0	Spare part set seals TR	3.000	ST
15	6.343-162.0	Sprostpaplāksne - 25	2.000	ST
8	2.114-002.0	Steam nozzle TR 40050	1.000	ST