

Spare parts list

(1.025-302.0) HDS 695 S *EU

Table of contents

HDS 695 S *EU (1.025-302.0)	5
Spare parts list HDS 695 S *EUR (5.958-711.0)	6
10 Individual parts	7
11 Cover	8
12 Base frame	10
13 Handhold	12
20 Pump set	14
21 Piston	15
100 Spare part set pump (2.883-913.0)	17
20 Valve (3 Stueck) (2.884-512.0)	18
22 Cylinder head	20
10 Piston complete only for replacement (4.553-197.0)	22
25 Piston complete only for replacement (4.553-198.0)	24
32 Valve (3 Stueck) (2.884-512.0)	26
100 Spare part set pump (2.883-913.0)	28
20 Valve (3 Stueck) (2.884-512.0)	29
23 Cylinder head	31
10 Piston complete only for replacement (4.553-197.0)	33
25 Piston complete only for replacement (4.553-198.0)	35
32 Valve (3 Stueck) (2.884-512.0)	37
100 Spare part set pump (2.883-913.0)	39
20 Valve (3 Stueck) (2.884-512.0)	40
24 Cylinder head	42
10 Piston complete only for replacement (4.553-197.0)	45
25 Piston complete only for replacement (4.553-198.0)	47
32 Valve (3 Stueck) (2.884-512.0)	49
100 Spare part set pump (2.883-913.0)	51
20 Valve (3 Stueck) (2.884-512.0)	52
25 Switch	54
30 Motor	56
40 Blower	59
50 Fuel system	61
51 Fuel pump aspiration	62
52 Fuel pump	64
60 Electric control box	66
61 Top part	67
62 Bottom part	69
21 Spare parts set ignition transformer (2.883-468.0)	72

Table of contents

70 Flow heater	73
71 Burner cover	74
8 Cover plate pressure boiler (4.654-218.0)	76
11 Conversion kit ignition electrode (2.638-974.0)	78
72 Heating coil	80
73 Burner bottom	82
2 Bottom pressure boiler (4.655-044.0)	84
80 Float chest	86
81 Float chest	87
82 DGT	89
90 Safety system	91
91 Safety system	92
92 Safety system	94
100 Accessories	96
101 Hand trigger gun	97
16 Hook (4.037-013.0)	99
102 Hand trigger gun	100
1 HAND TRIGGER GUN EASY PRESS (4.775-463.0)	102
2 Hook (4.037-013.0)	104
4 Rotary controller 416L (4.775-470.0)	105
5 Hose assembly only for replacement DN8 4 (6.391-351.0)	107
9 Hook (4.037-013.0)	109
103 Hand trigger gun	110
1 Hand trigger gun (4.775-466.0)	112
2 Hook (4.037-013.0)	114
60 Adapter pipelines AVS-M22x1,5 (4.421-739.3)	115
6 Hook (4.037-013.0)	117
9 Adapter pipelines AVS-M22x1,5 (4.421-739.3)	118
10 Rotary controller 416L (4.775-470.0)	120
15 Hose assembly rotatable DN8 40MPa 15m (6.389-709.0)	122
104 High pressure hose	123
1 Hose assembly rotatable DN8 40MPa 15m (6.389-709.0)	125
105 Jet pipe	126
Jet pipe packaged only for replacement (4.760-660.0)	128
13 Power nozzle 25050 (2.883-399.0)	130
13 Power nozzle 25048 (2.883-804.0)	132
15 Dirt blaster 05 (4.763-253.0)	134
11 Spare parts list dirt blaster (5.955-641.0)	135

Table of contents

10 Dirt blaster	136
Spare part set rotor 170 (2.881-025.0)	139
Spare part set dirt blaster 04-HD 1050 (2.883-471.0)	141
Spare part set dirt blaster 05 (2.883-472.0)	143
Spare part set dirt blaster 055/06 (2.883-473.0)	145
Spare part set dirt blaster 07/08-HDS 8 (2.883-474.0)	147
Spare part set dirt blaster 120 (2.884-051.0)	149
Spare part set dirt blaster 035 (2.884-052.0)	151
Spare part set dirt blaster 045 (2.884-113.0)	153
Spare part set dirt blaster 09 (2.884-316.0)	155
Spare parts set rotor 100 (2.885-196.0)	157
106 Jet pipe	159
1 Jet pipe packaged only for replacement (4.760-660.0)	161
9 Power nozzle 25050 (2.883-399.0)	163
9 Power nozzle 25048 (2.883-804.0)	165
107 Steam nozzle	167
108 Hose reel	169
110 Control panel	172
120 Flame guard	174
10 Spare parts set flame sensor 32V (4.101-032.0)	176

HDS 695 S *EU (1.025-302.0)

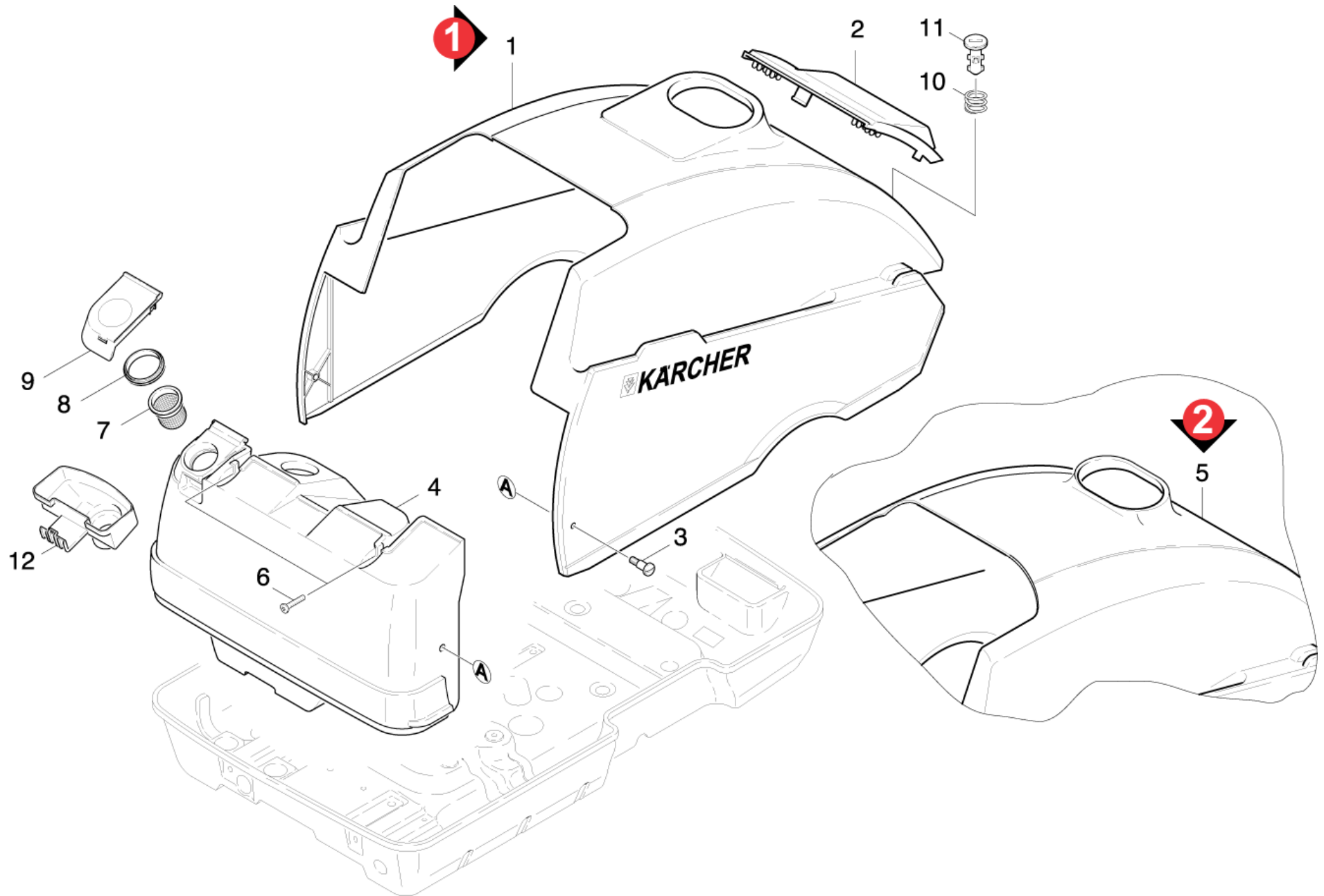
POS	Article no.	Description	Quantity	Unit
0	5.958-711.0	Spare parts list HDS 695 S *EUR	1	PC
	Item text2: 10253020			

Spare parts list HDS 695 S *EUR (5.958-711.0)

POS	Description	Quantity	Unit	Remark
100	Accessories	1	PC	
40	Blower	1	PC	
110	Control panel	1	PC	
60	Electric control box	1	PC	
120	Flame guard	1	PC	1.025-306.0
80	Float chest	1	PC	
70	Flow heater	1	PC	
50	Fuel system	1	PC	
10	Individual parts	1	PC	
30	Motor	1	PC	
20	Pump set	1	PC	
90	Safety system	1	PC	

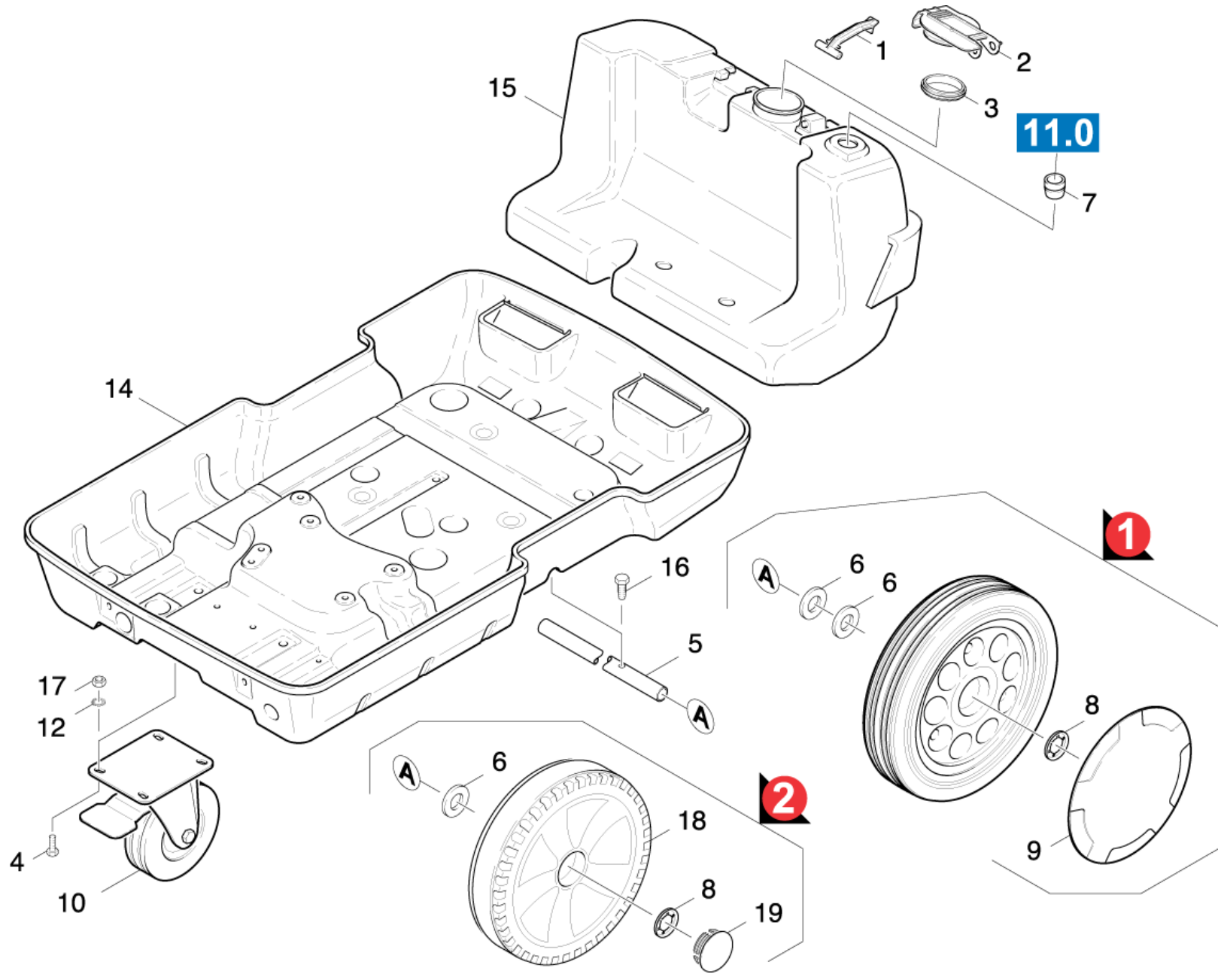
10 Individual parts

POS	Description	Quantity	Unit
12	Base frame	1	PC
11	Cover	1	PC
13	Handhold	1	PC



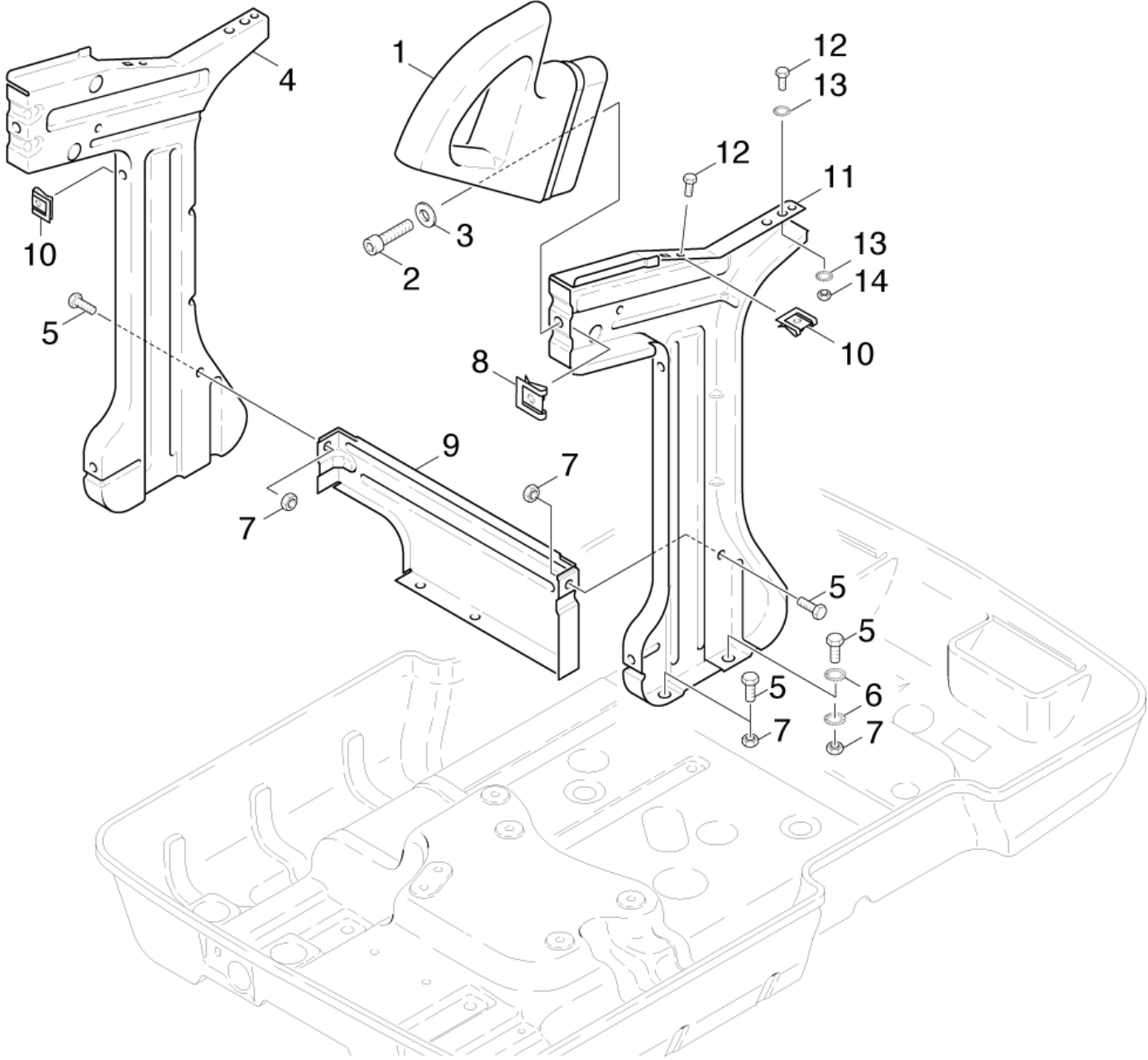
11 Cover

POS	Article no.	Description	Quantity	Unit	Remark	Foot note text
11	5.316-318.0	Bolt	1	PC		
9	5.063-957.0	Cover	1	PC		
5	4.066-006.0	Cover complete only for replacement	1	PC	VERSION 2	
1	4.066-384.0	Cover Ersatz-alte HDS-M nieder o. Blech	1	PC	VERSION 1	
7	5.731-039.0	Filter	1	PC		
2	5.030-001.0	Flap	1	PC		ANTHRACITE
2	5.030-834.0	Flap	1	PC		YELLOW
12	5.013-075.0	Funnel	1	PC		
10	5.332-236.0	Helical spring	1	PC		
8	5.363-290.0	Joint ring	1	PC		
3	5.305-204.0	Shaped screw	2	PC		
6	7.777-999.0	Stockpiling discontinued	2	PC		
4	5.071-048.0	Tank fuel	1	PC		



12 Base frame

POS	Article no.	Description	Quantity	Unit
5	5.105-163.0	Axle	1	PC
10	6.435-071.0	Castor 125	1	PC
2	5.063-448.0	Cover	1	PC
14	5.050-046.0	Frame	1	PC
4	7.304-395.0	Hexagonal head screw M8x16-8.8-A2E ISO	4	PC
17	7.311-004.0	Hexagon nut M8 -8-A3E ISO 4032	4	PC
1	5.042-463.0	Holder	1	PC
3	5.363-300.0	Joint ring	1	PC
8	6.343-162.0	Lock washer -25	2	PC
7	5.365-147.0	Profile gasket	1	PC
16	6.303-031.0	Screw M8x16-ST-R2R DIN 7500-1	2	PC
19	2.889-086.0	Set wheel cap	2	PC
15	5.071-047.0	Tank chemistry	1	PC
12	7.312-166.0	Toothed lock washer A8,4-FSt-A3E DIN 6797	2	PC
6	7.312-060.0	Washer 24-100HV-A3E ISO 7091	4	PC
9	5.392-019.0	Wheel cap	2	PC
18	4.515-344.0	Wheel complete	2	PC

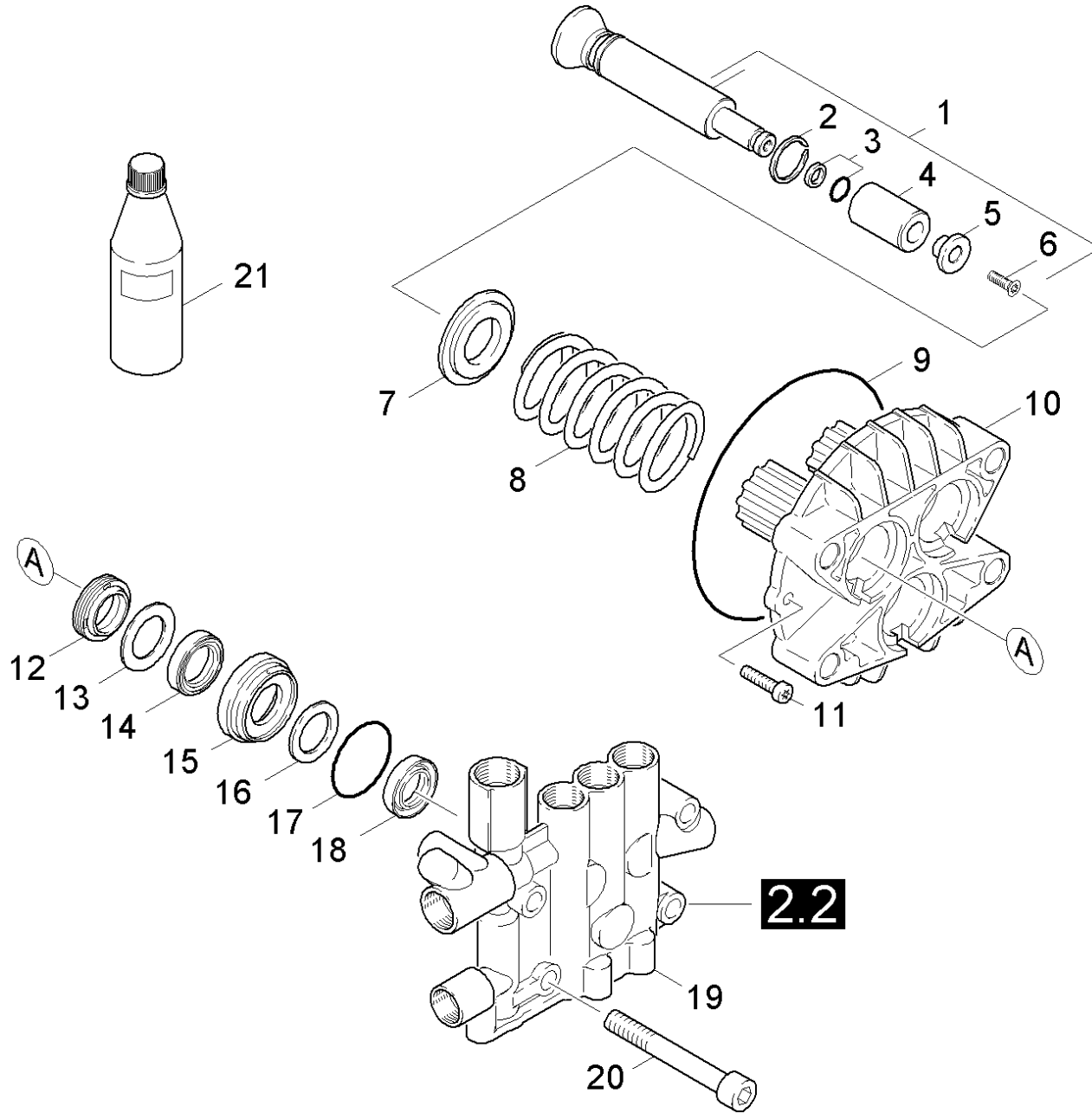


13 Handhold

POS	Article no.	Description	Quantity	Unit
2	7.306-049.0	Cylinder head screw M 8x45-8.8-A2E ISO	2	PC
12	7.304-382.0	Hexagonal head screw M 6x12-8.8-A2E ISO	4	PC
5	7.304-395.0	Hexagonal head screw M8x16-8.8-A2E ISO	6	PC
14	7.311-003.0	Hexagon nut M6 -8-A2E ISO 4032	2	PC
7	7.311-004.0	Hexagon nut M8 -8-A3E ISO 4032	6	PC
10	6.310-082.0	Putting nut M6	4	PC
8	6.310-083.0	Putting nut M8	2	PC
1	5.321-647.0	Sliding handle	2	PC
4	5.052-033.0	Stand left	1	PC
11	5.052-035.0	Stand right	1	PC
9	5.055-120.0	Stay	1	PC
13	7.312-167.0	Toothed lock washer A6,4-FSt-A3E DIN 6797	4	PC
6	7.312-166.0	Toothed lock washer A8,4-FSt-A3E DIN 6797	4	PC
3	7.312-004.0	Washer 8 -200HV-A3E ISO 7089	2	PC

20 Pump set

POS	Description	Quantity	Unit	Remark
22	Cylinder head	1	PC	VERSION 1
23	Cylinder head	1	PC	VERSION 2
24	Cylinder head	1	PC	VERSION 3
21	Piston	1	PC	
25	Switch	1	PC	

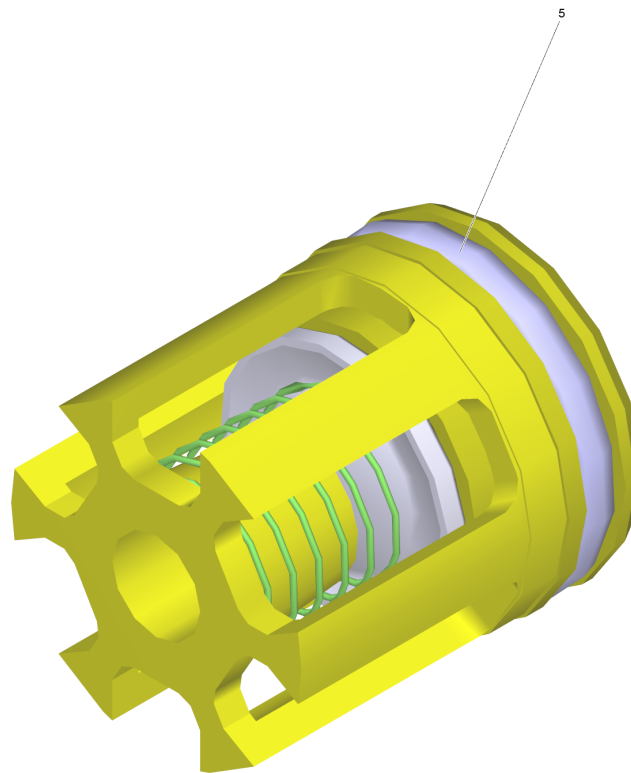


21 Piston

POS	Article no.	Description	Quantity	Unit
15	5.112-420.0	Bush	3	PC
14	6.365-053.0	Compact seal 20X30X6	3	PC
6	6.305-004.0	Countersunk screw M 5X 20-A2-70-sw	3	PC
19	4.550-535.0	Cylinder head complete only for replacem	1	PC
20	7.306-155.0	Cylinder head screw M12x100 -8.8-A3E IS	4	PC
21	6.288-016.0	Gear oil 1L	1	PC
18	6.365-330.0	Grooved ring	3	PC
12	6.365-052.0	Grooved ring 20X28X6/8	3	PC
8	5.332-289.0	Helical spring	3	PC
10	5.060-432.0	Housing	1	PC
17	6.362-092.0	O-Ring seal 36,0 X 2,0-NBR 70	3	PC
9	6.362-796.0	O-Ring seal 107,62X 2,62	1	PC
3	6.362-365.0	O-Ring seal complete 1ST.-R.- 7,65X 1,7	3	PC
1	4.553-281.3	Piston complete only for replacement	3	PC
11	7.306-105.0	Screw M6x30 -8.8-R3R (In6Rd)	2	PC
4	5.110-220.3	Sleeve ceramic	3	PC
2	6.472-331.0	Snap ring 20	3	PC
100	2.883-913.0	Spare part set pump	1	PC
5	5.116-076.0	Washer	3	PC
7	5.115-539.0	Washer	3	PC
13	5.115-537.0	Washer	3	PC
16	5.115-538.0	Washer	3	PC

100 Spare part set pump (2.883-913.0)

POS	Article no.	Description	Quantity	Unit
210	6.365-053.0	Compact seal 20X30X6	3	PC
220	6.365-330.0	Grooved ring	3	PC
200	6.365-052.0	Grooved ring 20X28X6/8	3	PC
110	6.362-151.0	O-Ring d. 10 x 2 NBR 70	1	PC
120	6.362-169.0	O-Ring seal 12,0 X 2,0	1	PC
190	6.363-003.0	O-Ring seal 13,0 X 2,0-NBR 90	6	PC
150	6.362-481.0	O-Ring seal 14,0 x 2,0 NBR 80	6	PC
170	6.362-547.0	O-Ring seal 20,0x1,5-NBR 70	2	PC
160	6.362-092.0	O-Ring seal 36,0 X 2,0-NBR 70	3	PC
180	6.362-796.0	O-Ring seal 107,62X 2,62	1	PC
130	6.363-037.0	O-Ring seal complete 1ST.-R.	2	PC
140	6.362-468.0	O-Ring seal complete 1ST.-R.	1	PC
60	5.034-494.0	Retaining bracket	2	PC
20	2.884-512.0	Valve (3 Stueck)	2	PC
10	4.580-262.0	Valve complete	1	PC
30	4.580-349.0	Valve complete chemistry	1	PC
50	4.582-019.0	Valve disc complete	1	PC
100	5.584-122.0	Valve pin	1	PC
70	5.115-537.0	Washer	3	PC
80	5.115-538.0	Washer	3	PC
90	5.115-796.0	Washer	2	PC



20 Valve (3 Stueck) (2.884-512.0)

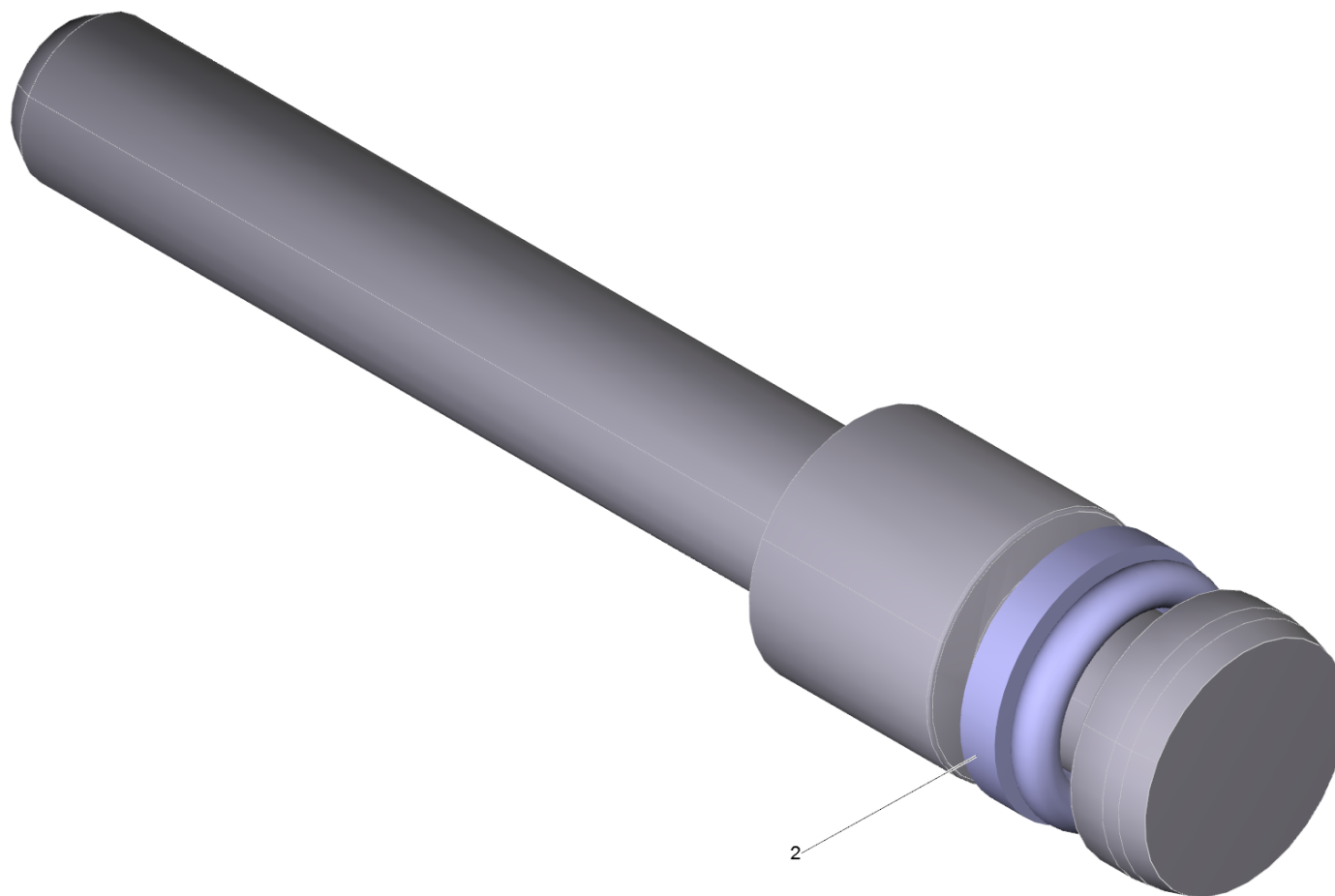
POS	Article no.	Description	Quantity	Unit
5	6.363-003.0	O-Ring seal 13,0 X 2,0-NBR 90	1	PC

22 Cylinder head

POS	Article no.	Description	Quantity	Unit	Foot note text
46	4.550-535.0	Cylinder head complete only for replacem	1	PC	
50	7.306-043.0	Cylinder head screw M8x30 -8.8-A2E ISO	5	PC	
45	7.306-155.0	Cylinder head screw M12x100 -8.8-A3E IS	4	PC	
2	5.367-003.0	Diaphragm	2	PC	
38	5.322-103.0	Handle	1	PC	
5	5.332-268.0	Helical spring	2	PC	
22	5.332-444.0	Helical spring	1	PC	
35	5.332-473.0	Helical spring	1	PC	
18	5.304-070.0	Hexagonal head screw	1	PC	
16	7.311-002.0	Hexagon nut M5 -6-A2E ISO 4032	1	PC	
24	5.311-204.0	Hexagon nut M22x1,5	1	PC	
27	6.391-596.0	High pressure hose DN 13	1	PC	
15	6.389-635.0	High pressure hose pressure gauge	1	PC	
21	5.404-082.0	Hollow screw	1	PC	
13	6.388-167.0	Hose DN15	1	m	TO ORDER AS CUT GOODS
44	5.443-474.0	Hose stem	1	PC	
1	5.402-705.3	Joining piece	1	PC	
14	7.362-003.0	Joint ring A10x13,5 -Cu DIN 7603	1	PC	
28	6.362-151.0	O-Ring d. 10 x 2 NBR 70	1	PC	
12	6.362-853.0	O-Ring seal 4,47x1,78	1	PC	
53	6.362-386.0	O-Ring seal 5,0 x 1,5-NBR 80	1	PC	
55	6.362-703.0	O-Ring seal 6,0x1,5-NBR 70	1	PC	
41	6.362-077.0	O-Ring seal 10 x 2,2 NBR 70	1	PC	
34	6.362-169.0	O-Ring seal 12,0 X 2,0	1	PC	
30	6.363-003.0	O-Ring seal 13,0 X 2,0-NBR 90	6	PC	
31	6.362-381.0	O-Ring seal 13x2 - NBR 70	2	PC	
7	6.362-481.0	O-Ring seal 14,0 x 2,0 NBR 80	6	PC	
51	6.362-079.0	O-Ring seal 18,0 X 2,5	1	PC	
49	6.362-507.0	O-Ring seal 20,0 X 1,3	2	PC	
11	6.363-037.0	O-Ring seal complete 1ST.-R.	2	PC	
26	6.362-468.0	O-Ring seal complete 1ST.-R.	1	PC	
10	4.553-197.0	Piston complete only for replacement	2	PC	
25	4.553-198.0	Piston complete only for replacement	1	PC	

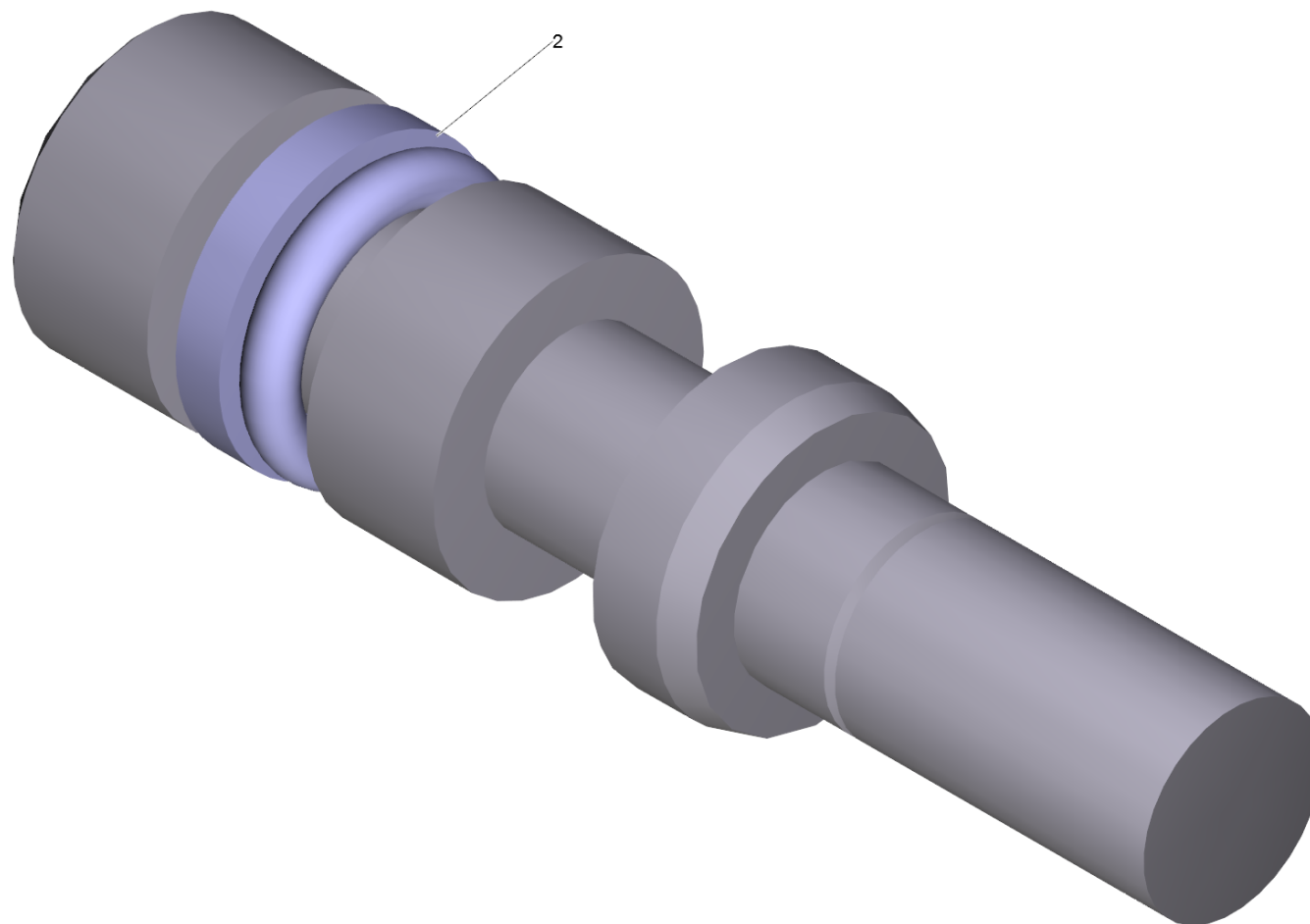
22 Cylinder head

POS	Article no.	Description	Quantity	Unit	Foot note text
3	5.034-494.0	Retaining bracket	2	PC	
4	5.411-148.0	Screw plug	2	PC	
39	5.110-863.0	Sleeve	1	PC	
47	5.110-853.0	Sleeve	2	PC	
100	2.883-913.0	Spare part set pump	1	PC	
19	7.401-931.0	Sphere 5 K13 -1.4401 DIN 5401	1	PC	
17	7.307-017.0	Threaded pin M5x40 -St-45H-A2E ISO 4026	1	PC	
32	2.884-512.0	Valve (3 Stueck)	1	PC	
8	4.580-262.0	Valve complete	1	PC	
42	4.580-349.0	Valve complete chemistry	1	PC	
20	5.582-121.0	Valve disc	1	PC	
37	4.582-019.0	Valve disc complete	1	PC	
40	5.587-202.0	Valve housing	1	PC	
23	5.584-114.0	Valve pin	1	PC	
36	5.584-122.0	Valve pin	1	PC	
6	5.583-161.0	Valve screw	1	PC	
29	5.583-146.3	Valve screw	3	PC	
33	5.583-168.0	Valve screw safety valve	1	PC	
52	5.581-239.0	Valve seat	1	PC	
54	5.581-231.0	Valve seat	1	PC	
43	4.580-589.0	Valve with slot	1	PC	
9	5.115-796.0	Washer	2	PC	



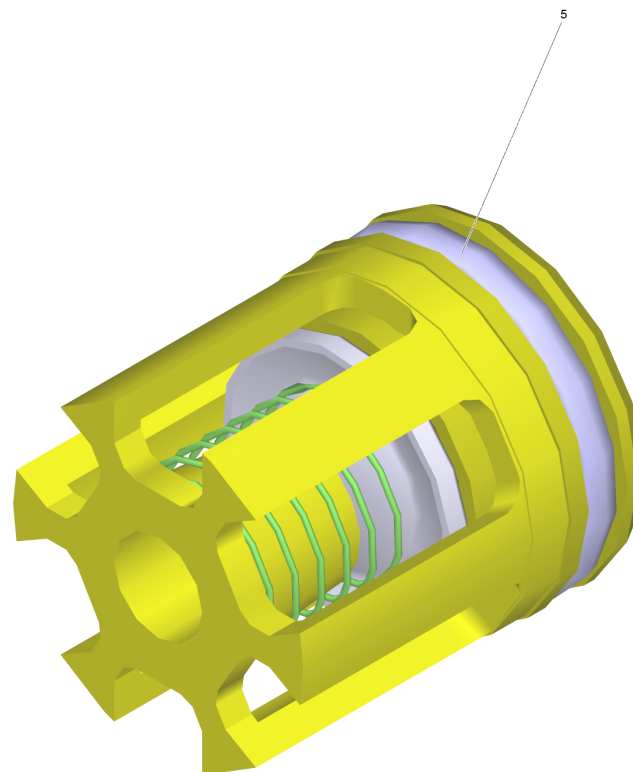
10 Piston complete only for replacement (4.553-197.0)

POS	Article no.	Description	Quantity	Unit
2	6.363-037.0	O-Ring seal complete 1ST.-R.	1	PC



25 Piston complete only for replacement (4.553-198.0)

POS	Article no.	Description	Quantity	Unit
2	6.362-468.0	O-Ring seal complete 1ST.-R.	1	PC

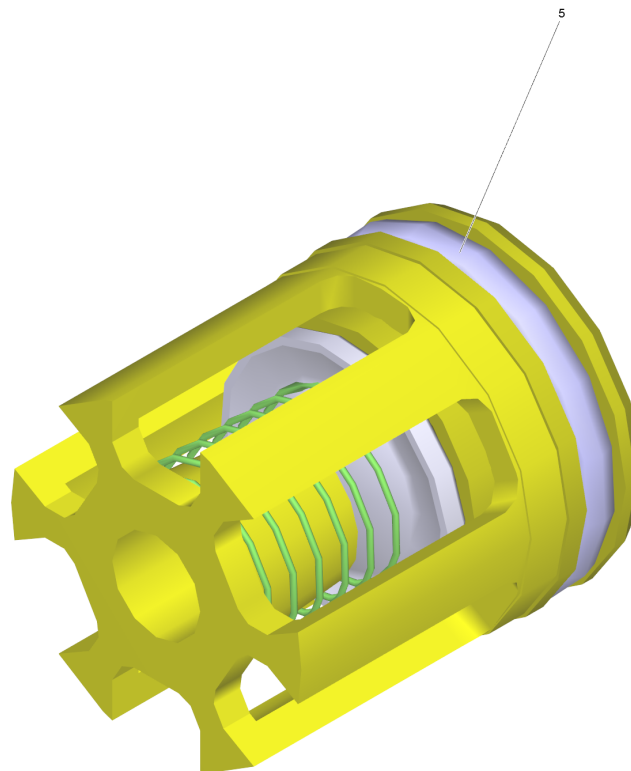


32 Valve (3 Stueck) (2.884-512.0)

POS	Article no.	Description	Quantity	Unit
5	6.363-003.0	O-Ring seal 13,0 X 2,0-NBR 90	1	PC

100 Spare part set pump (2.883-913.0)

POS	Article no.	Description	Quantity	Unit
210	6.365-053.0	Compact seal 20X30X6	3	PC
220	6.365-330.0	Grooved ring	3	PC
200	6.365-052.0	Grooved ring 20X28X6/8	3	PC
110	6.362-151.0	O-Ring d. 10 x 2 NBR 70	1	PC
120	6.362-169.0	O-Ring seal 12,0 X 2,0	1	PC
190	6.363-003.0	O-Ring seal 13,0 X 2,0-NBR 90	6	PC
150	6.362-481.0	O-Ring seal 14,0 x 2,0 NBR 80	6	PC
170	6.362-547.0	O-Ring seal 20,0x1,5-NBR 70	2	PC
160	6.362-092.0	O-Ring seal 36,0 X 2,0-NBR 70	3	PC
180	6.362-796.0	O-Ring seal 107,62X 2,62	1	PC
130	6.363-037.0	O-Ring seal complete 1ST.-R.	2	PC
140	6.362-468.0	O-Ring seal complete 1ST.-R.	1	PC
60	5.034-494.0	Retaining bracket	2	PC
20	2.884-512.0	Valve (3 Stueck)	2	PC
10	4.580-262.0	Valve complete	1	PC
30	4.580-349.0	Valve complete chemistry	1	PC
50	4.582-019.0	Valve disc complete	1	PC
100	5.584-122.0	Valve pin	1	PC
70	5.115-537.0	Washer	3	PC
80	5.115-538.0	Washer	3	PC
90	5.115-796.0	Washer	2	PC



20 Valve (3 Stueck) (2.884-512.0)

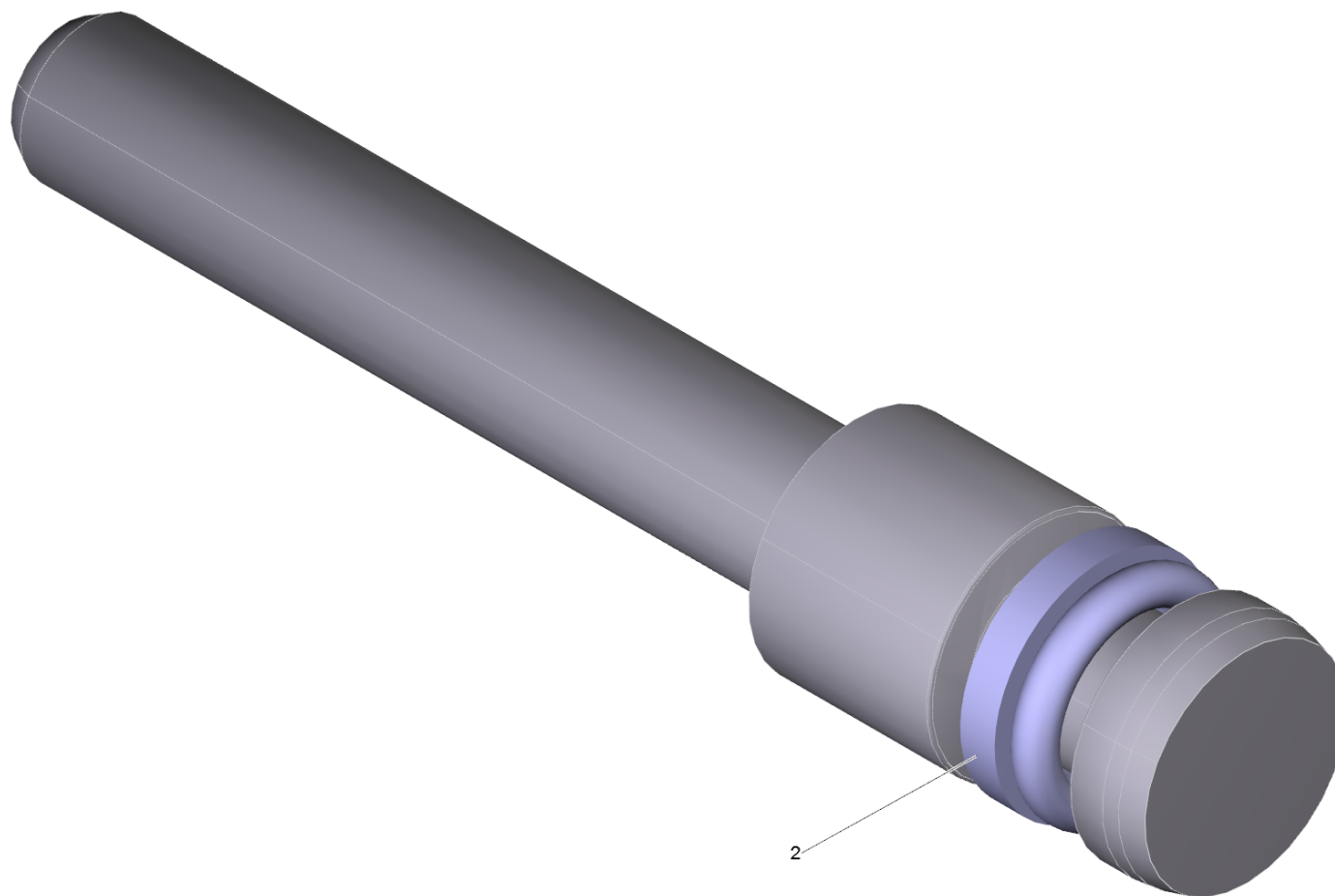
POS	Article no.	Description	Quantity	Unit
5	6.363-003.0	O-Ring seal 13,0 X 2,0-NBR 90	1	PC

23 Cylinder head

POS	Article no.	Description	Quantity	Unit	Foot note text
46	4.550-535.0	Cylinder head complete only for replacem	1	PC	
50	7.306-043.0	Cylinder head screw M8x30 -8.8-A2E ISO	5	PC	
45	7.306-155.0	Cylinder head screw M12x100 -8.8-A3E IS	4	PC	
2	5.367-003.0	Diaphragm	2	PC	
38	5.322-103.0	Handle	1	PC	
5	5.332-268.0	Helical spring	2	PC	
22	5.332-444.0	Helical spring	1	PC	
35	5.332-473.0	Helical spring	1	PC	
18	5.304-070.0	Hexagonal head screw	1	PC	
16	7.311-002.0	Hexagon nut M5 -6-A2E ISO 4032	1	PC	
24	5.311-204.0	Hexagon nut M22x1,5	1	PC	
27	6.391-596.0	High pressure hose DN 13	1	PC	
15	6.389-635.0	High pressure hose pressure gauge	1	PC	
21	5.404-082.0	Hollow screw	1	PC	
13	6.388-167.0	Hose DN15	1	m	TO ORDER AS CUT GOODS
44	5.443-474.0	Hose stem	1	PC	
1	5.402-705.3	Joining piece	1	PC	
14	7.362-003.0	Joint ring A10x13,5 -Cu DIN 7603	1	PC	
53	7.362-005.0	Joint ring A14x18 -Cu DIN 7603	1	PC	
28	6.362-151.0	O-Ring d. 10 x 2 NBR 70	1	PC	
48	6.362-853.0	O-Ring seal 4,47x1,78	1	PC	
55	6.362-386.0	O-Ring seal 5,0 x 1,5-NBR 80	1	PC	
57	6.362-703.0	O-Ring seal 6,0x1,5-NBR 70	1	PC	
41	6.362-077.0	O-Ring seal 10 x 2,2 NBR 70	1	PC	
34	6.362-169.0	O-Ring seal 12,0 X 2,0	1	PC	
30	6.363-003.0	O-Ring seal 13,0 X 2,0-NBR 90	6	PC	
31	6.362-381.0	O-Ring seal 13x2 - NBR 70	2	PC	
7	6.362-481.0	O-Ring seal 14,0 x 2,0 NBR 80	6	PC	
51	6.362-079.0	O-Ring seal 18,0 X 2,5	1	PC	
49	6.362-547.0	O-Ring seal 20,0x1,5-NBR 70	2	PC	
11	6.363-037.0	O-Ring seal complete 1ST.-R.	2	PC	
26	6.362-468.0	O-Ring seal complete 1ST.-R.	1	PC	
10	4.553-197.0	Piston complete only for replacement	2	PC	

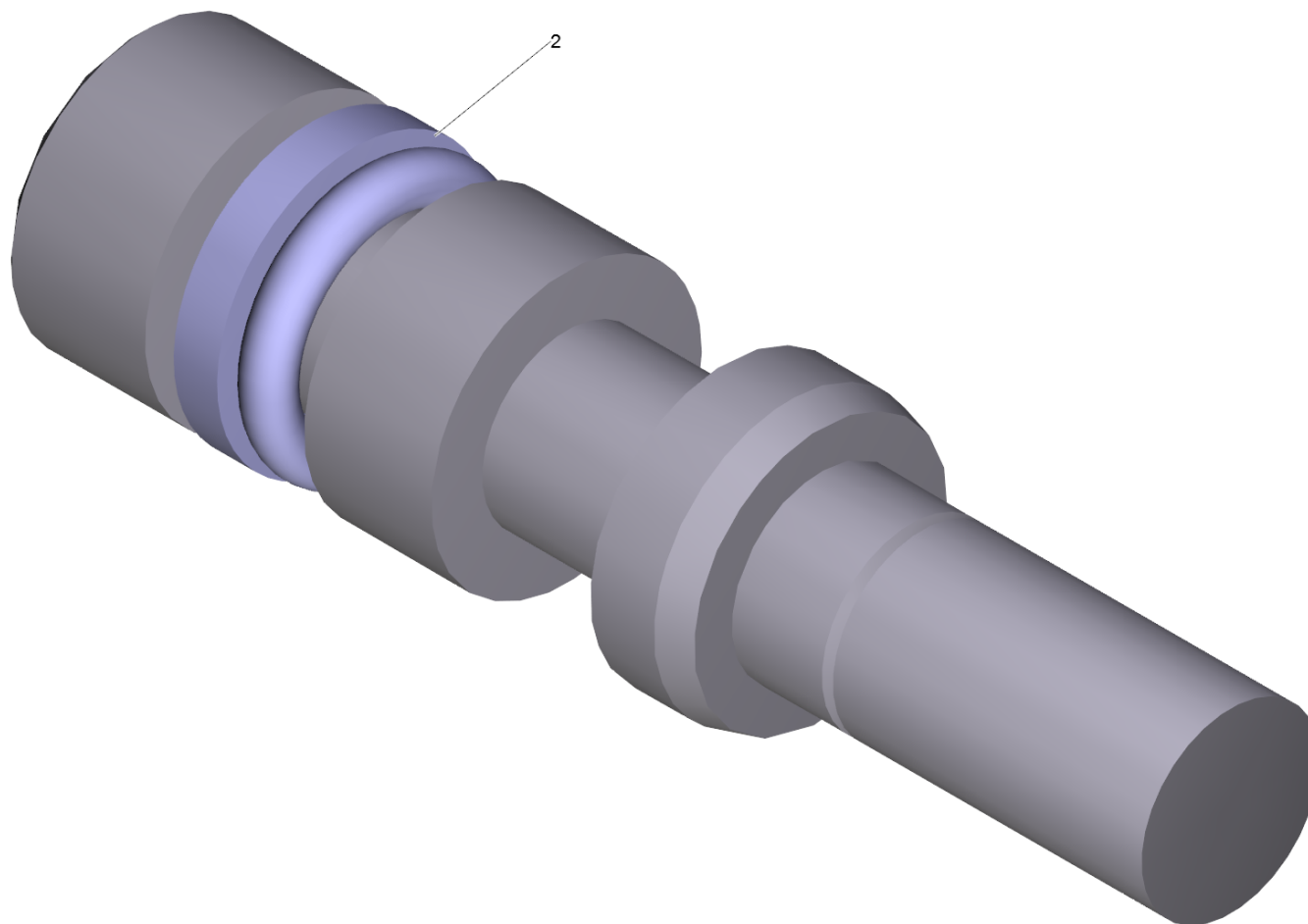
23 Cylinder head

POS	Article no.	Description	Quantity	Unit	Foot note text
25	4.553-198.0	Piston complete only for replacement	1	PC	
52	6.505-025.0	Pressure accumulator	1	PC	
3	5.034-494.0	Retaining bracket	2	PC	
4	5.411-148.0	Screw plug	2	PC	
39	5.110-863.0	Sleeve	1	PC	
47	5.110-853.0	Sleeve	2	PC	
100	2.883-913.0	Spare part set pump	1	PC	
19	7.401-931.0	Sphere 5 KI3 -1.4401 DIN 5401	1	PC	
17	7.307-017.0	Threaded pin M5x40 -St-45H-A2E ISO 4026	1	PC	
32	2.884-512.0	Valve (3 Stueck)	1	PC	
8	4.580-262.0	Valve complete	1	PC	
42	4.580-349.0	Valve complete chemistry	1	PC	
20	5.582-121.0	Valve disc	1	PC	
37	4.582-019.0	Valve disc complete	1	PC	
40	5.587-202.0	Valve housing	1	PC	
23	5.584-114.0	Valve pin	1	PC	
36	5.584-122.0	Valve pin	1	PC	
6	5.583-161.0	Valve screw	1	PC	
12	5.583-170.0	Valve screw	1	PC	
29	5.583-146.3	Valve screw	3	PC	
33	5.583-168.0	Valve screw safety valve	1	PC	
54	5.581-239.0	Valve seat	1	PC	
56	5.581-231.0	Valve seat	1	PC	
43	4.580-589.0	Valve with slot	1	PC	
9	5.115-796.0	Washer	2	PC	



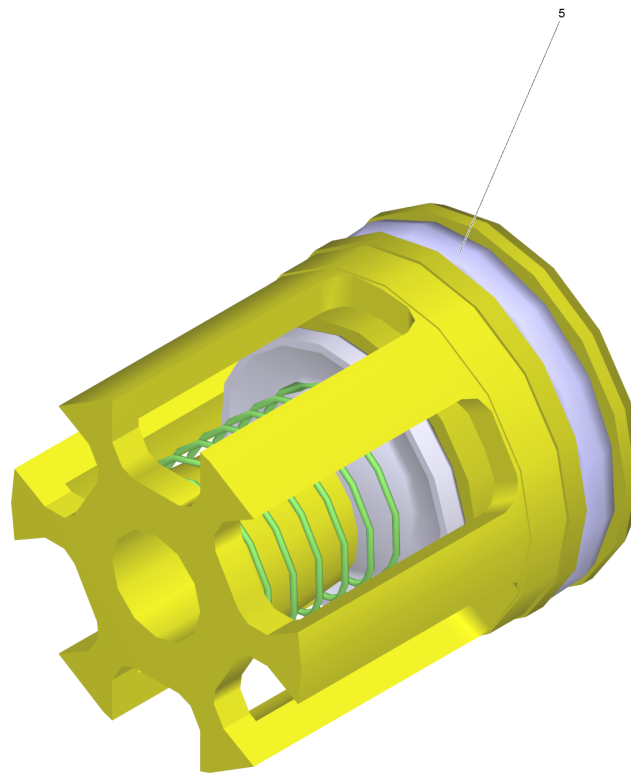
10 Piston complete only for replacement (4.553-197.0)

POS	Article no.	Description	Quantity	Unit
2	6.363-037.0	O-Ring seal complete 1ST.-R.	1	PC



25 Piston complete only for replacement (4.553-198.0)

POS	Article no.	Description	Quantity	Unit
2	6.362-468.0	O-Ring seal complete 1ST.-R.	1	PC

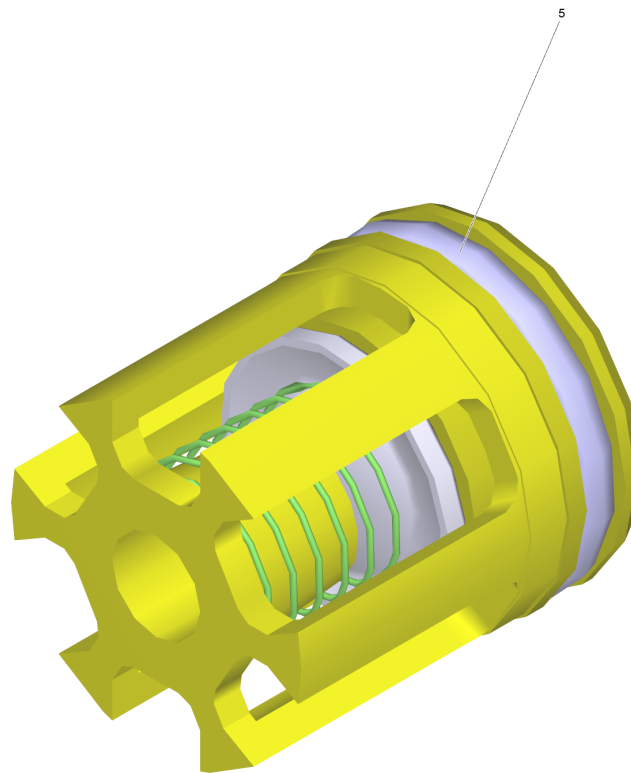


32 Valve (3 Stueck) (2.884-512.0)

POS	Article no.	Description	Quantity	Unit
5	6.363-003.0	O-Ring seal 13,0 X 2,0-NBR 90	1	PC

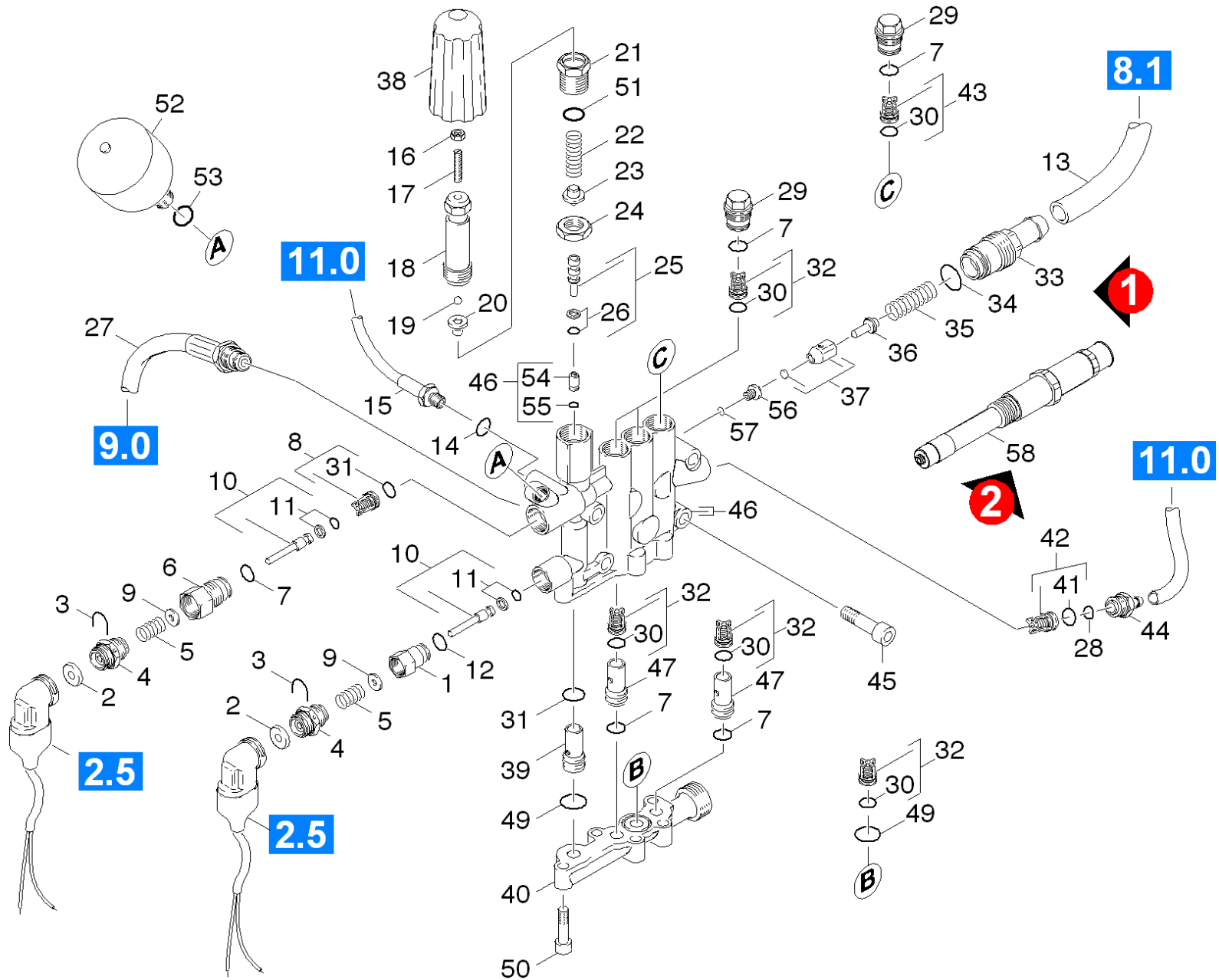
100 Spare part set pump (2.883-913.0)

POS	Article no.	Description	Quantity	Unit
210	6.365-053.0	Compact seal 20X30X6	3	PC
220	6.365-330.0	Grooved ring	3	PC
200	6.365-052.0	Grooved ring 20X28X6/8	3	PC
110	6.362-151.0	O-Ring d. 10 x 2 NBR 70	1	PC
120	6.362-169.0	O-Ring seal 12,0 X 2,0	1	PC
190	6.363-003.0	O-Ring seal 13,0 X 2,0-NBR 90	6	PC
150	6.362-481.0	O-Ring seal 14,0 x 2,0 NBR 80	6	PC
170	6.362-547.0	O-Ring seal 20,0x1,5-NBR 70	2	PC
160	6.362-092.0	O-Ring seal 36,0 X 2,0-NBR 70	3	PC
180	6.362-796.0	O-Ring seal 107,62X 2,62	1	PC
130	6.363-037.0	O-Ring seal complete 1ST.-R.	2	PC
140	6.362-468.0	O-Ring seal complete 1ST.-R.	1	PC
60	5.034-494.0	Retaining bracket	2	PC
20	2.884-512.0	Valve (3 Stueck)	2	PC
10	4.580-262.0	Valve complete	1	PC
30	4.580-349.0	Valve complete chemistry	1	PC
50	4.582-019.0	Valve disc complete	1	PC
100	5.584-122.0	Valve pin	1	PC
70	5.115-537.0	Washer	3	PC
80	5.115-538.0	Washer	3	PC
90	5.115-796.0	Washer	2	PC



20 Valve (3 Stueck) (2.884-512.0)

POS	Article no.	Description	Quantity	Unit
5	6.363-003.0	O-Ring seal 13,0 X 2,0-NBR 90	1	PC

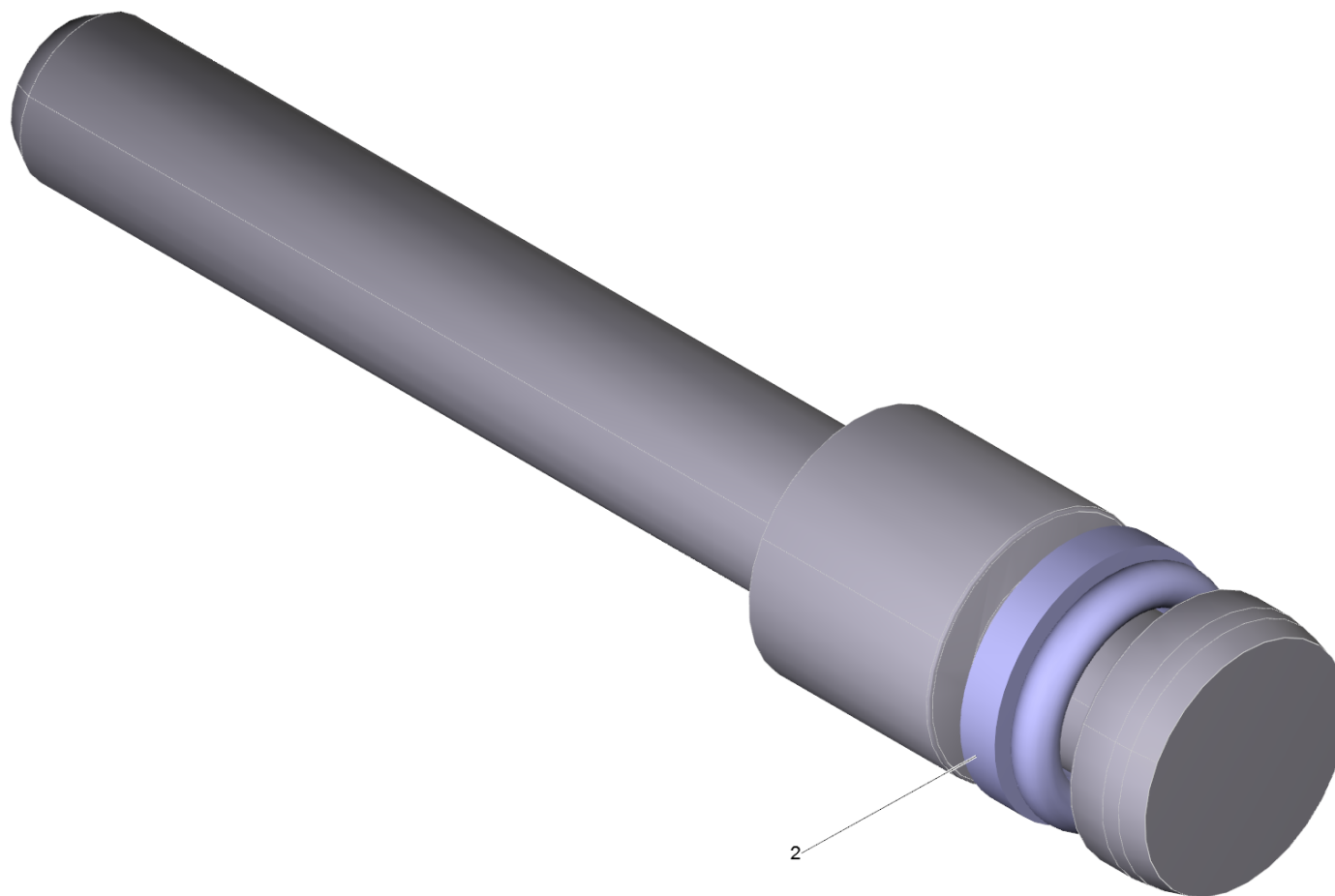


24 Cylinder head

POS	Article no.	Description	Quantity	Unit	Remark	Foot note text
46	4.550-607.3	Cylinder head complete only for replacem	1	PC		
50	7.306-043.0	Cylinder head screw M8x30 -8.8-A2E ISO	5	PC		
45	7.306-155.0	Cylinder head screw M12x100 -8.8-A3E IS	4	PC		
2	5.367-003.0	Diaphragm	2	PC		
38	5.322-103.0	Handle	1	PC		
5	5.332-268.0	Helical spring	2	PC		
22	5.332-444.0	Helical spring	1	PC		
35	5.332-473.0	Helical spring	1	PC	VERSION 1	
18	5.304-070.0	Hexagonal head screw	1	PC		
16	7.311-002.0	Hexagon nut M5 -6-A2E ISO 4032	1	PC		
24	5.311-204.0	Hexagon nut M22x1,5	1	PC		
27	6.391-596.0	High pressure hose DN 13	1	PC		
15	6.389-635.0	High pressure hose pressure gauge	1	PC		
21	5.404-082.0	Hollow screw	1	PC		
13	6.388-167.0	Hose DN15	1	m		TO ORDER AS CUT GOODS
44	5.443-474.0	Hose stem	1	PC		
1	5.402-705.3	Joining piece	1	PC		
14	7.362-003.0	Joint ring A10x13,5 -Cu DIN 7603	1	PC		
28	6.362-151.0	O-Ring d. 10 x 2 NBR 70	1	PC		
12	6.362-853.0	O-Ring seal 4,47x1,78	1	PC		
55	6.362-386.0	O-Ring seal 5,0 x 1,5-NBR 80	1	PC		
57	6.362-703.0	O-Ring seal 6,0x1,5-NBR 70	1	PC	VERSION 1	
53	6.362-176.0	O-Ring seal 6,07x1,78	1	PC		
41	6.362-077.0	O-Ring seal 10 x 2,2 NBR 70	1	PC		
34	6.362-169.0	O-Ring seal 12,0 X 2,0	1	PC	VERSION 1	
30	6.363-003.0	O-Ring seal 13,0 X 2,0-NBR 90	6	PC		
31	6.362-381.0	O-Ring seal 13x2 - NBR 70	2	PC		
7	6.362-481.0	O-Ring seal 14,0 x 2,0 NBR 80	6	PC		
51	6.362-079.0	O-Ring seal 18,0 X 2,5	1	PC		
49	6.362-547.0	O-Ring seal 20,0x1,5-NBR 70	2	PC		
11	6.363-037.0	O-Ring seal complete 1ST.-R.	2	PC		

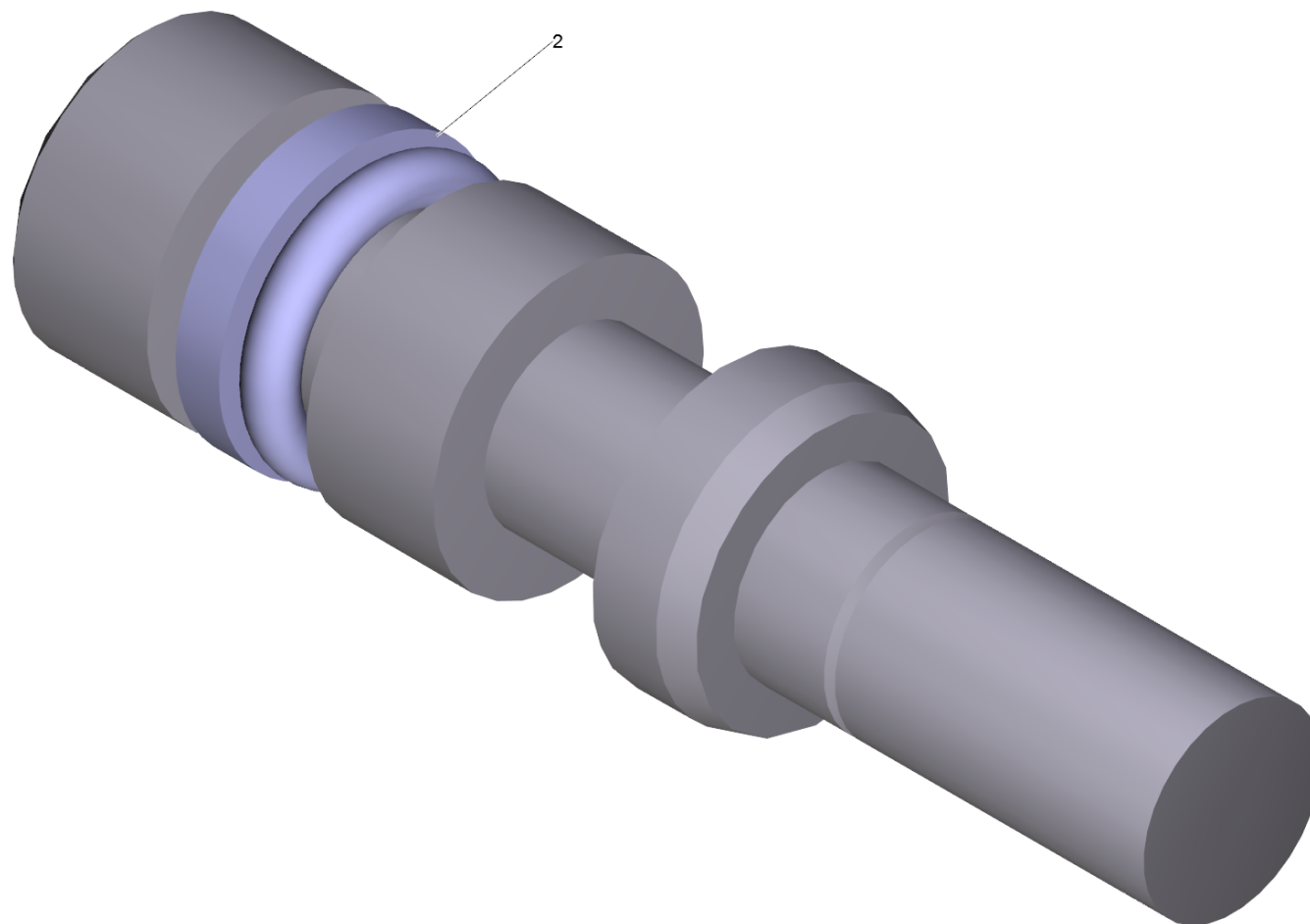
24 Cylinder head

POS	Article no.	Description	Quantity	Unit	Remark	Foot note text
26	6.362-468.0	O-Ring seal complete 1ST.-R.	1	PC		
10	4.553-197.0	Piston complete only for replacement	2	PC		
25	4.553-198.0	Piston complete only for replacement	1	PC		
52	6.505-054.0	Pressure accumulator	1	PC		
3	5.034-494.0	Retaining bracket	2	PC		
58	4.580-727.0	Safety valve kpl. Ersatz	1	PC	pos.57 mitbestellen / order pos.57 also	VERSION 2
4	5.411-148.0	Screw plug	2	PC		
39	5.110-863.0	Sleeve	1	PC		
47	5.110-853.0	Sleeve	2	PC		
100	2.883-913.0	Spare part set pump	1	PC		
19	7.401-931.0	Sphere 5 KI3 -1.4401 DIN 5401	1	PC		
17	7.307-017.0	Threaded pin M5x40 -St-45H-A2E ISO 4026	1	PC		
32	2.884-512.0	Valve (3 Stueck)	1	PC		
8	4.580-262.0	Valve complete	1	PC		
42	4.580-349.0	Valve complete chemistry	1	PC		
20	5.582-121.0	Valve disc	1	PC		
37	4.582-019.0	Valve disc complete	1	PC	VERSION 1	
40	5.587-202.0	Valve housing	1	PC		
23	5.584-114.0	Valve pin	1	PC		
36	5.584-122.0	Valve pin	1	PC	VERSION 1	
6	5.583-161.0	Valve screw	1	PC		
29	5.583-146.3	Valve screw	3	PC		
33	5.583-168.0	Valve screw safety valve	1	PC	VERSION 1	
54	5.581-239.0	Valve seat	1	PC		
56	5.581-231.0	Valve seat	1	PC	VERSION 1	
43	4.580-589.0	Valve with slot	1	PC		
9	5.115-796.0	Washer	2	PC		



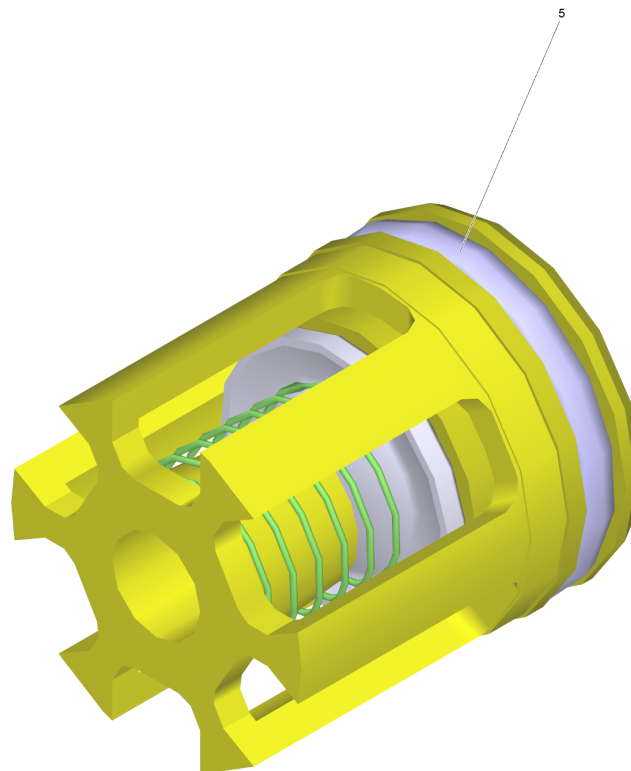
10 Piston complete only for replacement (4.553-197.0)

POS	Article no.	Description	Quantity	Unit
2	6.363-037.0	O-Ring seal complete 1ST.-R.	1	PC



25 Piston complete only for replacement (4.553-198.0)

POS	Article no.	Description	Quantity	Unit
2	6.362-468.0	O-Ring seal complete 1ST.-R.	1	PC

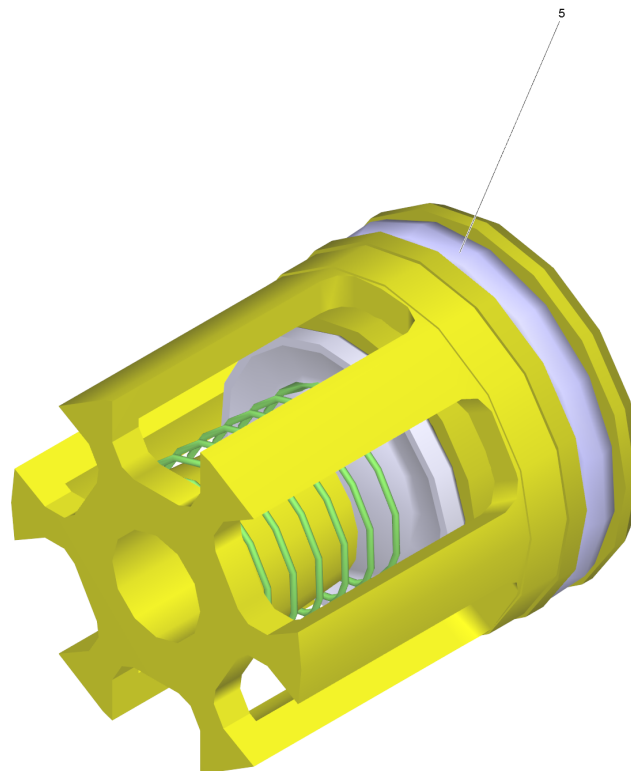


32 Valve (3 Stueck) (2.884-512.0)

POS	Article no.	Description	Quantity	Unit
5	6.363-003.0	O-Ring seal 13,0 X 2,0-NBR 90	1	PC

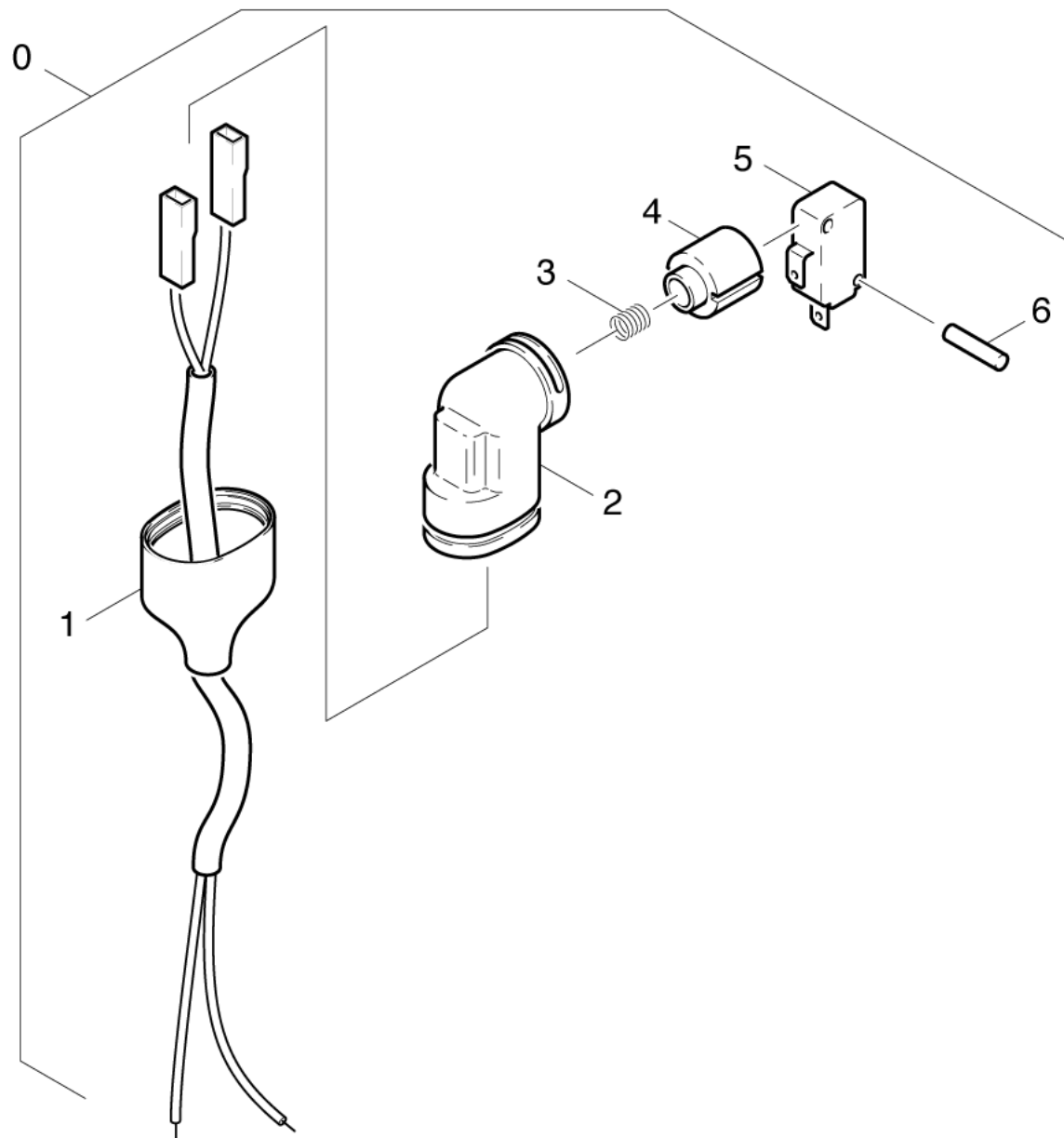
100 Spare part set pump (2.883-913.0)

POS	Article no.	Description	Quantity	Unit
210	6.365-053.0	Compact seal 20X30X6	3	PC
220	6.365-330.0	Grooved ring	3	PC
200	6.365-052.0	Grooved ring 20X28X6/8	3	PC
110	6.362-151.0	O-Ring d. 10 x 2 NBR 70	1	PC
120	6.362-169.0	O-Ring seal 12,0 X 2,0	1	PC
190	6.363-003.0	O-Ring seal 13,0 X 2,0-NBR 90	6	PC
150	6.362-481.0	O-Ring seal 14,0 x 2,0 NBR 80	6	PC
170	6.362-547.0	O-Ring seal 20,0x1,5-NBR 70	2	PC
160	6.362-092.0	O-Ring seal 36,0 X 2,0-NBR 70	3	PC
180	6.362-796.0	O-Ring seal 107,62X 2,62	1	PC
130	6.363-037.0	O-Ring seal complete 1ST.-R.	2	PC
140	6.362-468.0	O-Ring seal complete 1ST.-R.	1	PC
60	5.034-494.0	Retaining bracket	2	PC
20	2.884-512.0	Valve (3 Stueck)	2	PC
10	4.580-262.0	Valve complete	1	PC
30	4.580-349.0	Valve complete chemistry	1	PC
50	4.582-019.0	Valve disc complete	1	PC
100	5.584-122.0	Valve pin	1	PC
70	5.115-537.0	Washer	3	PC
80	5.115-538.0	Washer	3	PC
90	5.115-796.0	Washer	2	PC



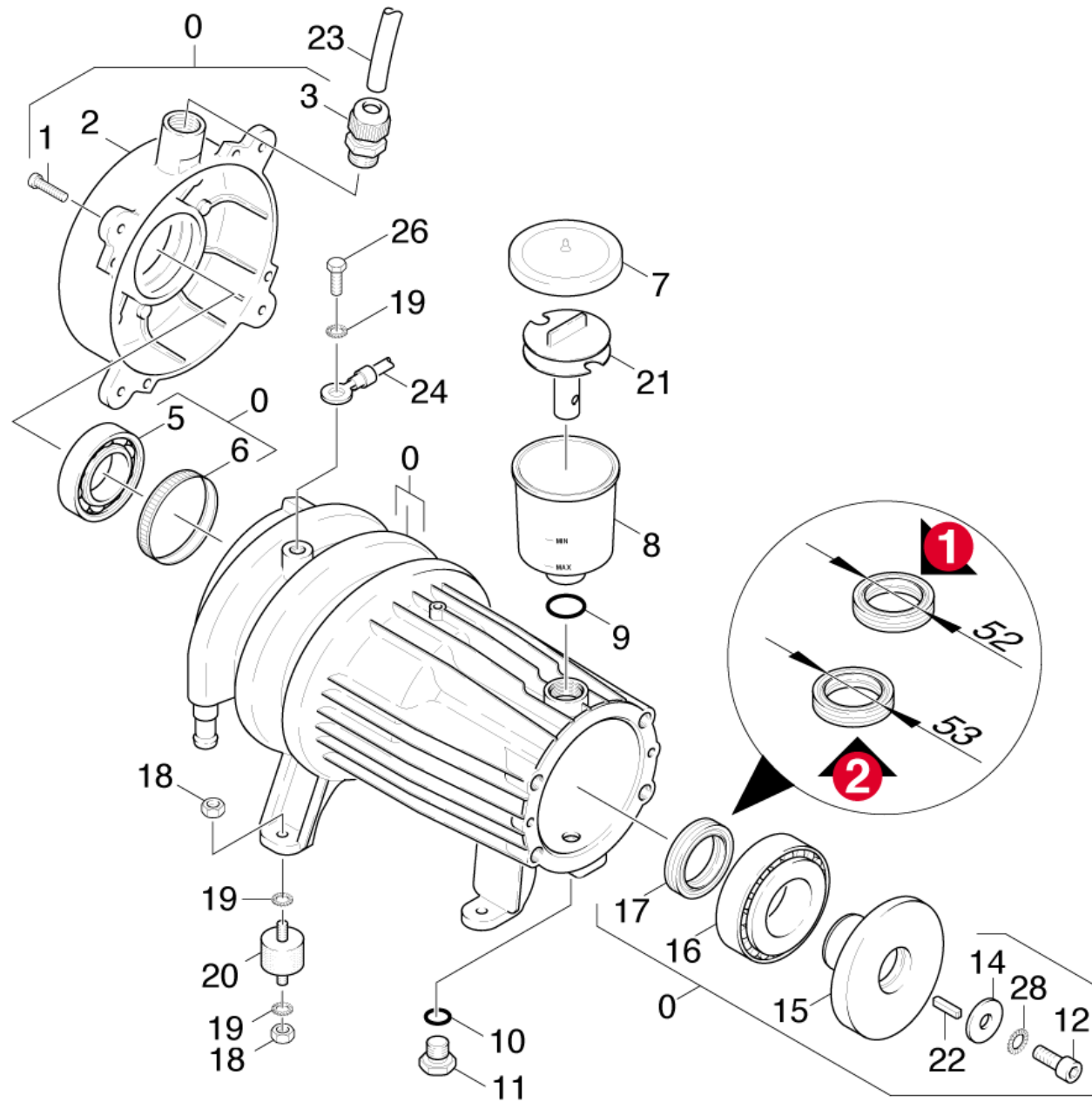
20 Valve (3 Stueck) (2.884-512.0)

POS	Article no.	Description	Quantity	Unit
5	6.363-003.0	O-Ring seal 13,0 X 2,0-NBR 90	1	PC



25 Switch

POS	Article no.	Description	Quantity	Unit
4	5.053-051.0	Bracket	1	PC
1	6.648-111.0	Control cable	1	PC
2	5.042-860.0	Holder	1	PC
5	6.631-807.0	Micro switch	1	PC
3	5.332-322.0	Spring	1	PC
6	7.314-664.0	Straight grooved pin 3,0x20-KU ISO 8740	1	PC
0	4.744-001.0	Switch complete -nur fuer Ersatz-	2	PC

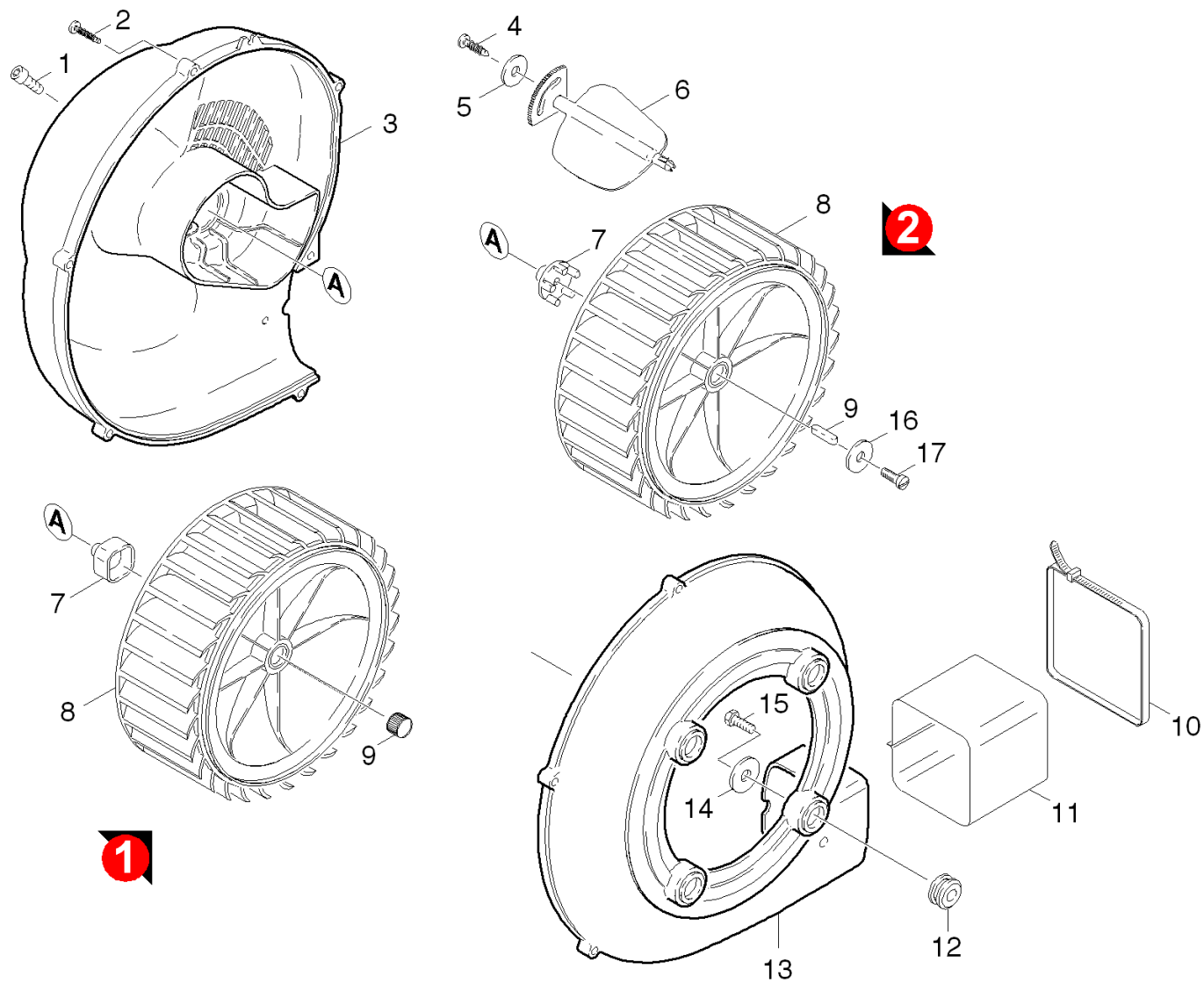


30 Motor

POS	Article no.	Description	Quantity	Unit	Remark	Foot note text
5	6.401-253.0	Ball bearing 6305-2Z	1	PC		
8	5.070-048.0	Box	1	PC		
3	6.641-356.0	Cable gland PG16	1	PC		
24	4.820-430.0	Cable green/yellow 1,5mm ² x450mm	1	PC		
2	5.063-452.0	Cover	1	PC		
7	5.064-459.0	Cover grey	1	PC		
12	7.306-041.0	Cylinder head screw M8x20 -8.8-A2E ISO	1	PC		
18	7.311-004.0	Hexagon nut M8 -8-A3E ISO 4032	8	PC		
23	6.642-011.0	Insulating hose 10	2	m		TO ORDER AS CUT GOODS
0	4.623-205.0	Motor complete	1	PC		SEE RATING PLATE
	Item text1: / 1.025-301.0/-302.0/-305.0/-306.0					
	Item text2: /307.0/-308.0/-309/-321/-322					
0	4.623-769.0	Motor complete only for replacement	1	PC		SEE RATING PLATE
	Item text1: /1.025-301.0 / -305.0 / -307.0 / -308.0					
	Item text2: / -309.0 / -321.0					
0	4.623-770.0	Motor complete only for replacement	1	PC		SEE RATING PLATE
	Item text1: /1.025-302.0 / -306.0 / -322.0					
0	4.623-771.0	Motor complete only for replacement	1	PC		SEE RATING PLATE
	Item text1: /1.025-303.0					
21	5.030-389.0	Moulded part	1	PC		
10	6.363-273.0	O-Ring seal 11,0 x 2,0	1	PC		
9	6.362-168.0	O-Ring seal 22,3 X 2,4-NBR 70	1	PC		
22	7.318-035.0	Parallel key 8x7x25 -C45K DIN 6885-1	1	PC		
17	7.367-009.0	Radial shaft seal ring A35x52x7-NBR DIN	1	PC	VERSION 1	
17	7.367-005.0	Radial shaft seal ring A35x53x7-NBR DIN	1	PC	VERSION 2	
20	6.339-060.0	Rubber buffer M8	4	PC		
1	7.303-048.0	Screw M6x20 -St-R3R (In6Rd)	4	PC		
26	6.303-031.0	Screw M8x16-ST-R2R DIN 7500-1	1	PC		
11	5.411-100.0	Screw plug	1	PC		
0	7.777-999.0	Stockpiling discontinued	1	PC		SEE RATING PLATE
	Item text1: / 1.025-303.0					

30 Motor

POS	Article no.	Description	Quantity	Unit	Remark	Foot note text
16	6.401-225.3	Taper roller bearing 41	1	PC		
6	6.343-010.0	Tolerance ring 62x10	1	PC		
19	7.312-166.0	Toothed lock washer A8,4-FSt-A3E DIN 6797	9	PC		
28	7.312-166.0	Toothed lock washer A8,4-FSt-A3E DIN 6797	1	PC		
14	5.115-565.0	Washer	1	PC		
15	5.120-262.0	Wobble plate	1	PC		
	Item text1: / 1.025-303.0					
15	4.120-241.0	Wobble plate -nur für Ersatz-	1	PC		
	Item text1: / 1.025-301.0/-302.0/-305.0/-306.0					
	Item text2: /-307.0/-308.0/-309.0/-321.0/-322.0					

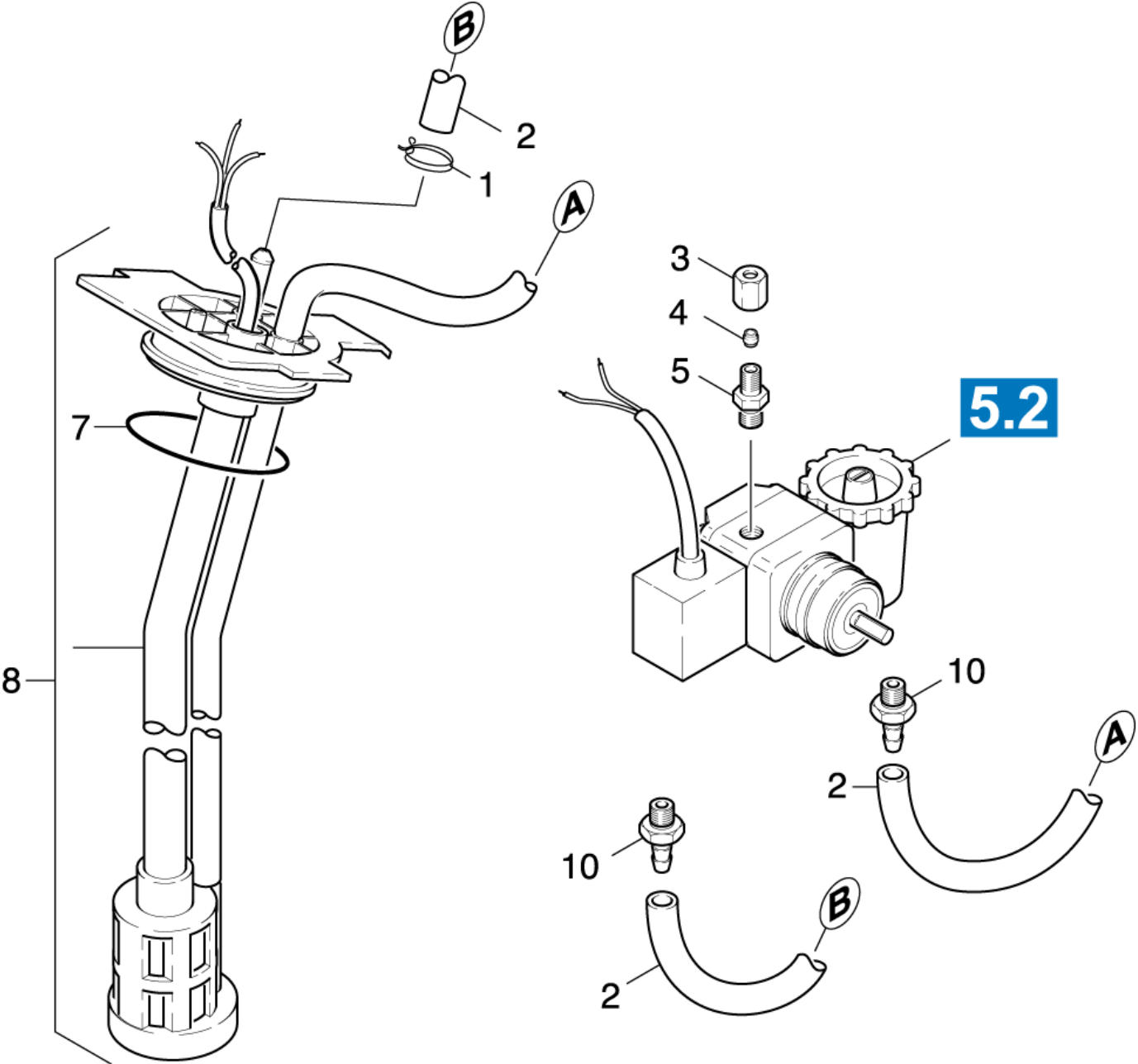


40 Blower

POS	Article no.	Description	Quantity	Unit	Foot note text
6	5.606-005.0	Air flap	1	PC	
8	5.600-045.0	Blower wheel	1	PC	VERSION 1
8	5.600-080.0	Blower wheel with groove	1	PC	VERSION 2
11	5.178-026.0	Cloth collar	1	PC	
7	5.471-097.0	Coupler fuel pump	1	PC	VERSION 2
7	5.471-060.0	Coupling element	1	PC	VERSION 1
3	5.063-457.0	Cover blower	1	PC	
13	5.605-168.0	Housing blower	1	PC	
9	7.318-058.0	Parallel key 4x4x20-1.4301 DIN 6885	1	PC	VERSION 2
12	5.379-019.0	Rubber ring	4	PC	
2	7.303-084.0	Screw 4x25 -10.9-R2R (K-In6Rd)	6	PC	
17	7.306-071.0	Screw M5x10 -8.8-R2R (In6Rd)	1	PC	VERSION 2
1	7.306-090.0	Screw M6x16 -8.8-P2R (In6Rd)	1	PC	
15	7.303-048.0	Screw M6x20 -St-R3R (In6Rd)	4	PC	
4	7.303-077.0	Sheet metal screw ST4,8X16-ST-R2R (IN6R	1	PC	
10	6.388-608.0	Tightening strap	2	PC	
9	6.343-027.0	Tolerance ring D17X16	1	PC	VERSION 1
16	7.312-264.0	Washer 5-100HV-A3E ISO 7094	1	PC	VERSION 2
5	7.312-278.0	Washer 5-200HV-A2E ISO7093-1	1	PC	
14	7.312-260.0	Washer 6-100HV-A3E ISO 7094	4	PC	

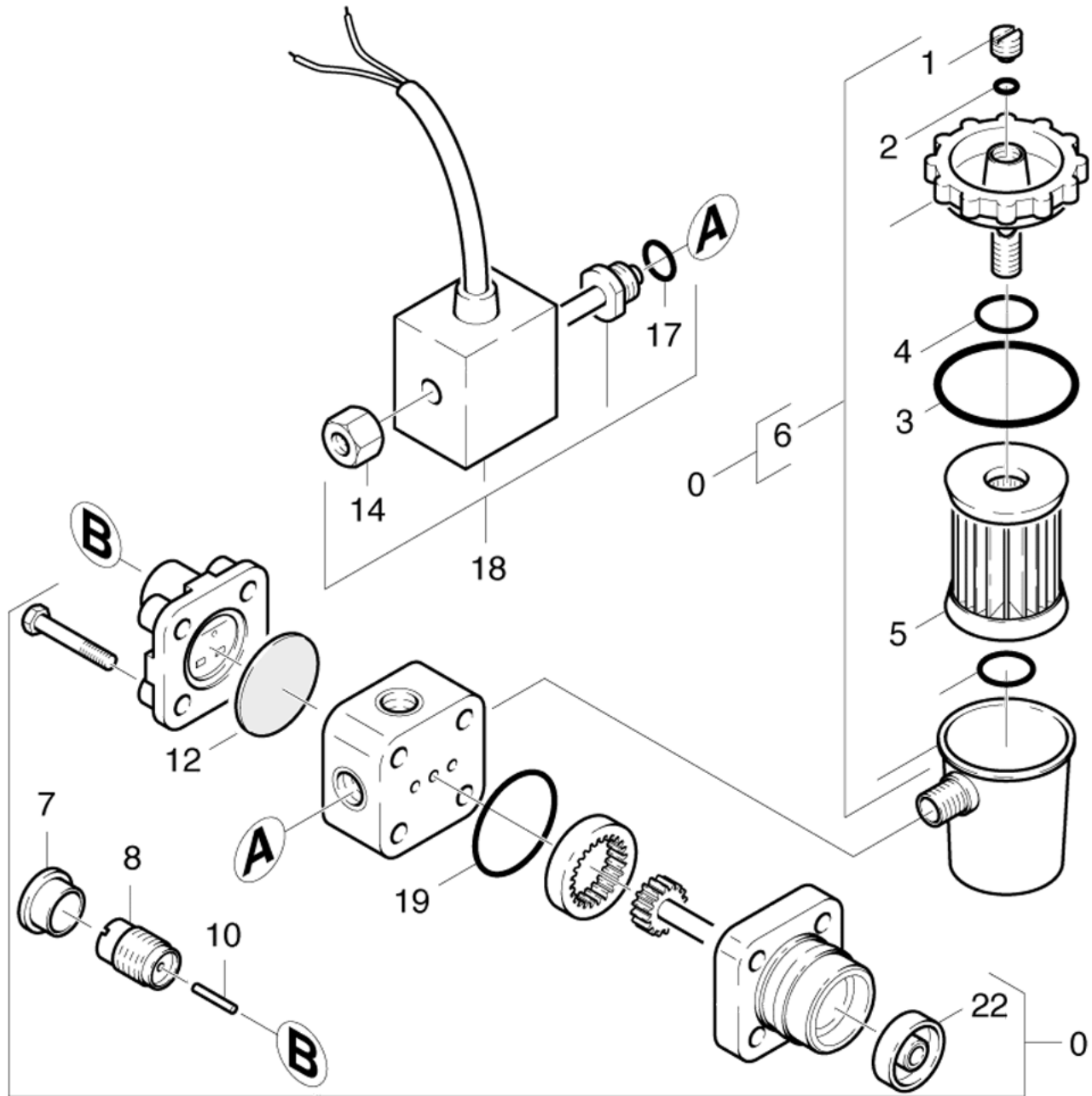
50 Fuel system

POS	Description	Quantity	Unit
52	Fuel pump	1	PC
51	Fuel pump aspiration	1	PC



51 Fuel pump aspiration

POS	Article no.	Description	Quantity	Unit	Foot note text
4	6.389-263.0	Cutting ring d.4	1	PC	
2	6.389-534.0	Hose	1	m	TO ORDER AS CUT GOODS
1	6.389-768.0	Hose clip	1	PC	
10	6.472-927.0	Hose stem only for replacement	2	PC	
7	6.362-855.0	O-Ring seal 56,0 X 4,0	1	PC	
8	4.421-631.0	Pipelines BR.ST.	1	PC	
5	6.389-261.0	Screw union	1	PC	
3	6.389-262.0	Union nut A 4-LL	1	PC	

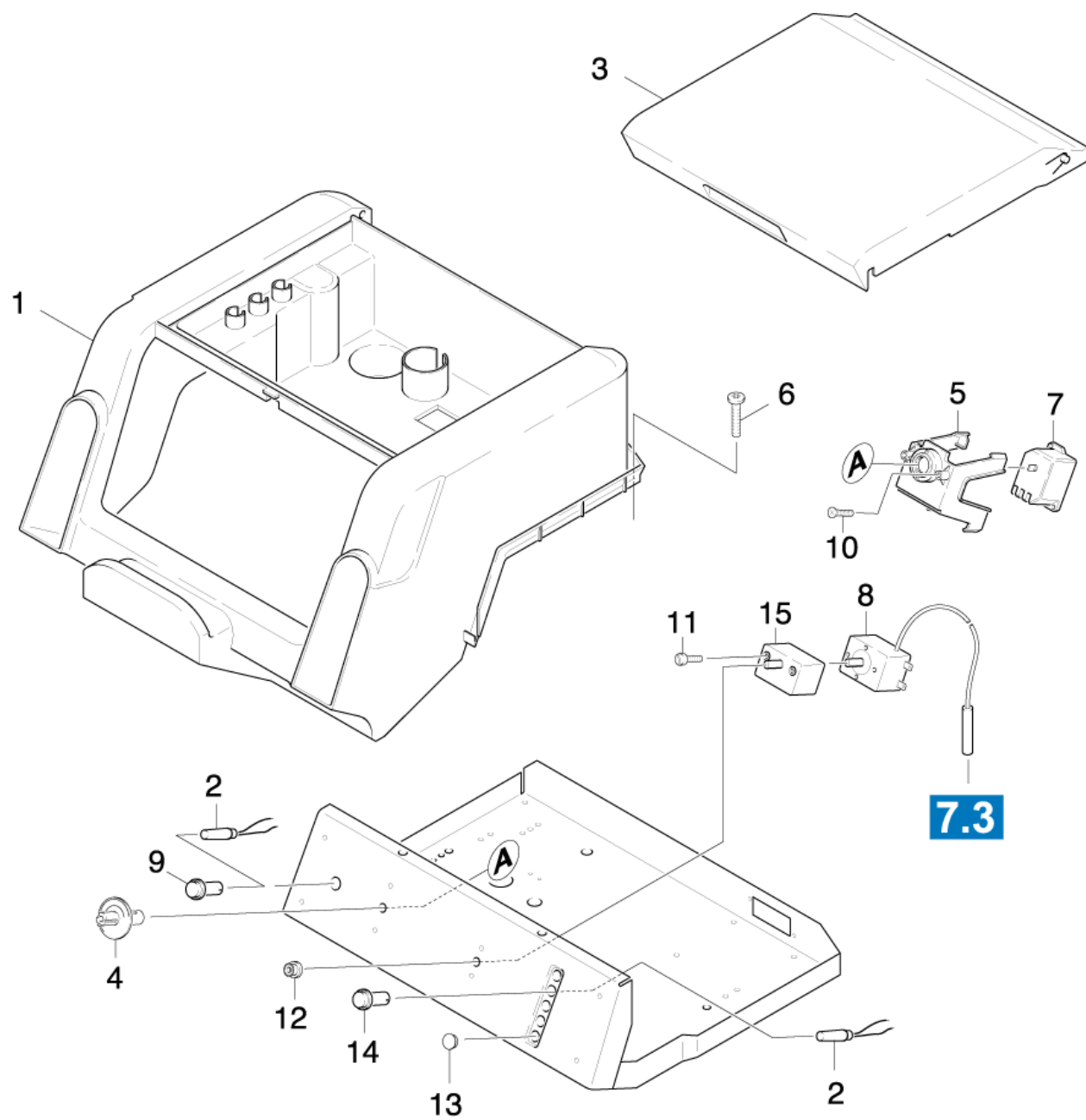


52 Fuel pump

POS	Article no.	Description	Quantity	Unit
12	6.472-128.0	Diaphragm	1	PC
5	6.472-113.0	Filter cartridge	1	PC
6	6.472-123.0	Filter housing complete	1	PC
8	6.472-109.0	Housing spring	1	PC
14	6.472-340.0	Knurled nut	1	PC
2	6.472-106.0	O-Ring seal 5,0 X 1,8	1	PC
4	6.472-112.0	O-Ring seal 10,0 x 2,4 NBR 70	1	PC
17	6.472-125.0	O-Ring seal 12,0 X 1,5	1	PC
19	6.472-120.0	O-Ring seal 28,5 X 1,6	1	PC
3	6.472-111.0	O-Ring seal 32,0 X 1,6	1	PC
10	6.472-108.0	Pin	1	PC
7	6.472-122.0	Protecting cap	1	PC
0	6.472-925.0	Pump oil burner only for replacement	1	PC
1	6.472-107.0	Screw ventilation	1	PC
22	6.472-105.0	Seal axle	1	PC
18	6.472-411.0	Solenoid valve	1	PC

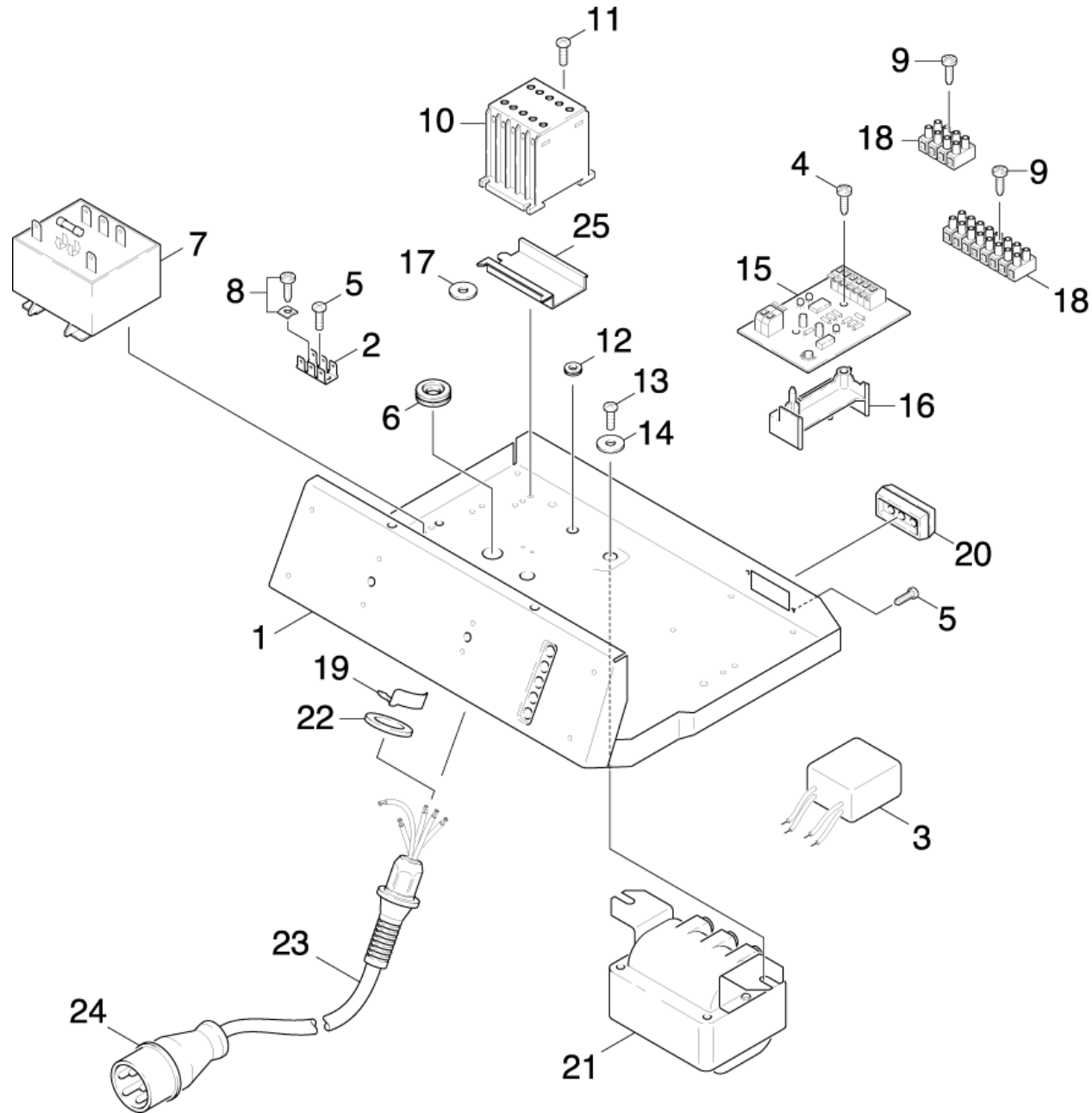
60 Electric control box

POS	Description	Quantity	Unit
62	Bottom part	1	PC
61	Top part	1	PC



61 Top part

POS	Article no.	Description	Quantity	Unit
10	7.303-125.0	Countersunk screw 4x16 -10.9-R2R (In6Rd)	2	PC
1	5.067-198.0	Cover	1	PC
3	5.031-914.0	Flap	1	PC
5	5.044-412.0	Holder (CONDOR-SCHAER)	1	PC
9	6.651-421.0	Lens housing green	1	PC
14	6.651-316.0	Lens housing red	3	PC
7	6.631-190.0	Motor protecting switch	1	PC
	Item text1: / 1.025-301.0 / -305.0 / -307.0			
	Item text2: / -308.0 / -309.0 / -321.0			
7	6.631-428.0	Motor protecting switch -22-27A	1	PC
	Item text1: / 1.025-302.0 / -303.0 / -306.0			
	Item text2: / -322.0			
13	6.368-076.0	Ornamental hub cap D10/D12	2	PC
2	4.651-026.0	Pilot lamp only for replacement	4	PC
12	5.365-152.0	Profile gasket	1	PC
11	7.306-056.0	Screw M4x8 -8.8-R2R (In6Rd)	2	PC
6	7.303-045.0	Screw M5x55 -St-ZNBHL (In6Rd)	2	PC
4	5.100-335.0	Shaft switch CONDOR	1	PC
15	6.630-368.0	Switch	1	PC
8	6.686-173.0	Thermostat	1	PC



62 Bottom part

POS	Article no.	Description	Quantity	Unit
23	6.648-514.0	Cable complete .4X2,5 Item text1: / 1.025-302.0 / -303.0 / -306.0 Item text2: / -322.0	1	PC
23	6.647-250.0	Cable with rubber bushing Item text1: / 1.025-301.0 / -305.0 / -307.0 Item text2: / -308.0 / -309.0 / -321.0	1	PC
10	4.632-002.0	Contacteur -nur fuer Ersatz- Item text1: / 1.025-301.0 / -305.0 / -307.0 Item text2: / -308.0 / -309.0 / -321.0	1	PC
10	6.632-356.0	Contacteur LC1-D18 B7 Item text1: / 1.025-302.0 / -303.0 / -306.0 Item text2: / -322.0	1	PC
7	4.622-018.0	Control transformer -nur für Ersatz- Item text1: / 1.025-302.0 / -303.0 / -306.0 Item text2: / -322.0	1	PC
7	6.622-241.0	Control transformer 400V Item text1: / 1.025-301.0 / -305.0 / -307.0 Item text2: / -308.0 / -309.0 / -321.0	1	PC
24	6.646-266.0	Coupler plug Item text1: / 1.025-301.0	1	PC
21	6.622-167.0	Ignition transformer 230V Item text1: / 1.025-303.0	1	PC
21	4.622-033.0	Ignition transformer only for replacemen Item text1: / 1.025-302.0 / -306.0 / -322.0	1	PC
3	6.661-229.0	Interference suppressor Item text1: / 1.025-301.0 / -302.0 / -305.0 Item text2: / -306.0 / -307.0 / -308.0 / -309.0	1	PC
19	6.343-186.0	Locking ring Item text1: / 1.025-302.0 / -303.0 / -306.0 Item text2: / -322.0	1	PC
20	5.030-931.0	Moulded part	1	PC
25	5.802-300.0	Mounting part	1	PC
2	6.641-270.0	Plug	1	PC

62 Bottom part

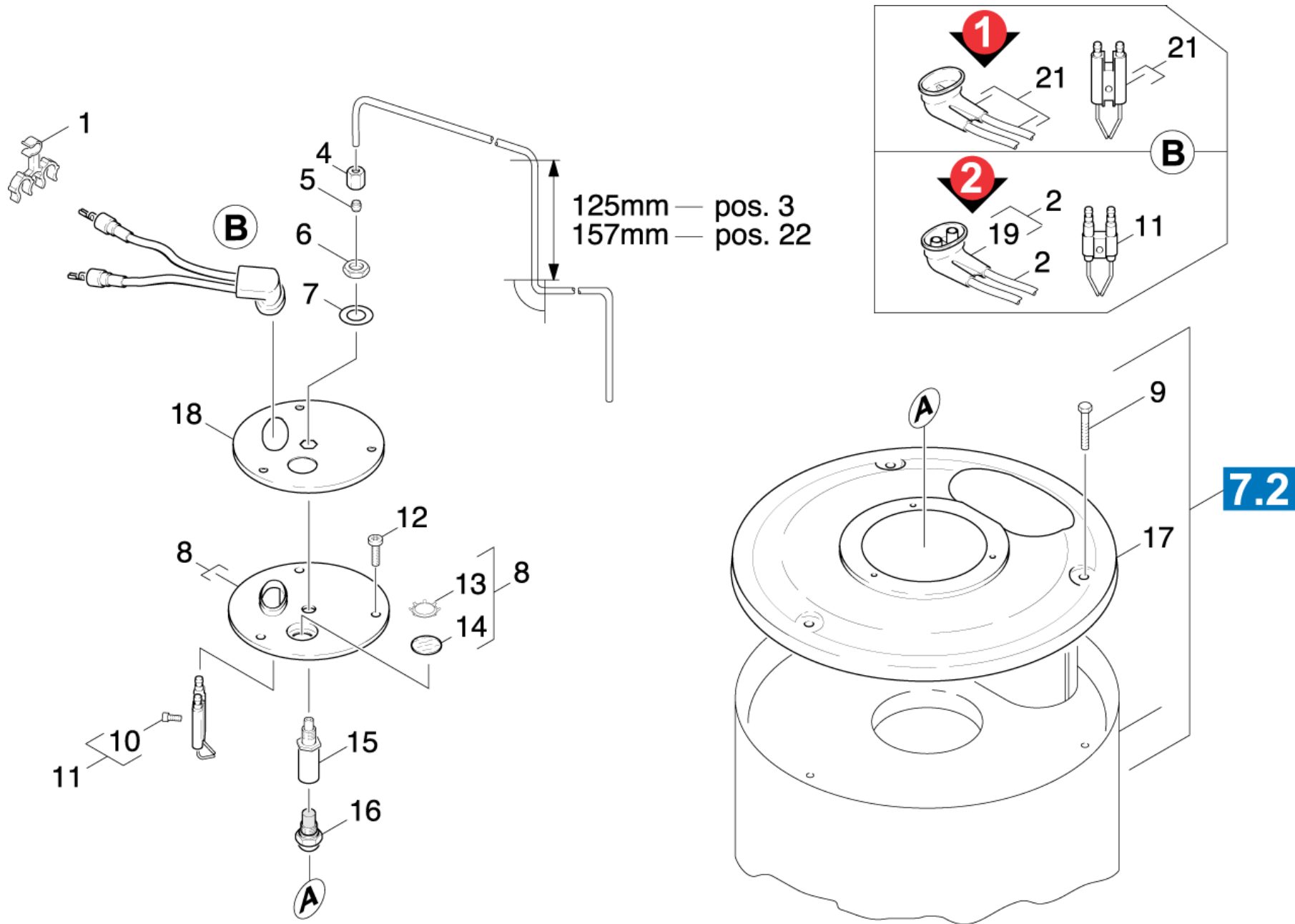
POS	Article no.	Description	Quantity	Unit
24	6.646-356.0	Plug CEE-32A	1	PC
	Item text1: / 1.025-302.0 / -303.0 / -305.0			
6	5.365-158.0	Profile gasket	1	PC
15	4.633-058.0	Pulse generator only for replacement	1	PC
19	6.343-170.0	Retaining clip	1	PC
	Item text1: / 1.025-301.0 / -305.0 / -307.0			
	Item text2: / -308.0 / -309.0 / -321.0			
5	7.303-030.0	Screw M4x8 -St-P2R (In6Rd)	4	PC
8	6.303-317.0	Screw M4x10-St-A2G	2	PC
11	7.303-033.0	Screw M4x16-ST-P2R (KOMBI-IN6RD)	2	PC
4	7.303-035.0	Screw M4x30 -St-R2R (In6Rd)	1	PC
13	7.303-328.0	Screw M5x8 -St-flZn/nc480h/C (In6Rd)	1	PC
9	7.303-501.0	Self-tapping screw M3x20-ST-A2E DIN 7500	4	PC
1	5.049-551.0	Sheet metal component	1	PC
	Item text1: / 1.025-301.0 / -305.0 / -307.0			
	Item text2: / -308.0 / -309.0 / -321.0			
1	5.049-657.0	Sheet metal component electric control b	1	PC
	Item text1: / 1.025-302.0 / -303.0 / -322.0			
21	2.883-468.0	Spare parts set ignition transformer	1	PC
	Item text1: / 1.025-301.0 / -305.0 / -308.0			
18	6.643-249.0	Strip terminal	1	ZST
16	5.057-043.0	Support	1	PC
22	5.115-255.0	Washer	1	PC
	Item text1: / 1.025-301.0 / -305.0			
22	5.115-921.0	Washer	1	PC
	Item text1: / 1.025-302.0 / -303.0 / -306.0			
17	7.312-282.0	Washer 5-A2 ISO 7093-1	1	PC
14	7.312-260.0	Washer 6-100HV-A3E ISO 7094	1	PC
12	6.641-422.0	Wire protecting sleeve	1	PC

21 Spare parts set ignition transformer (2.883-468.0)

POS	Article no.	Description	Quantity	Unit
20	6.647-518.0	Ignition cable	1	PC
10	7.777-999.0	Stockpiling discontinued	1	PC

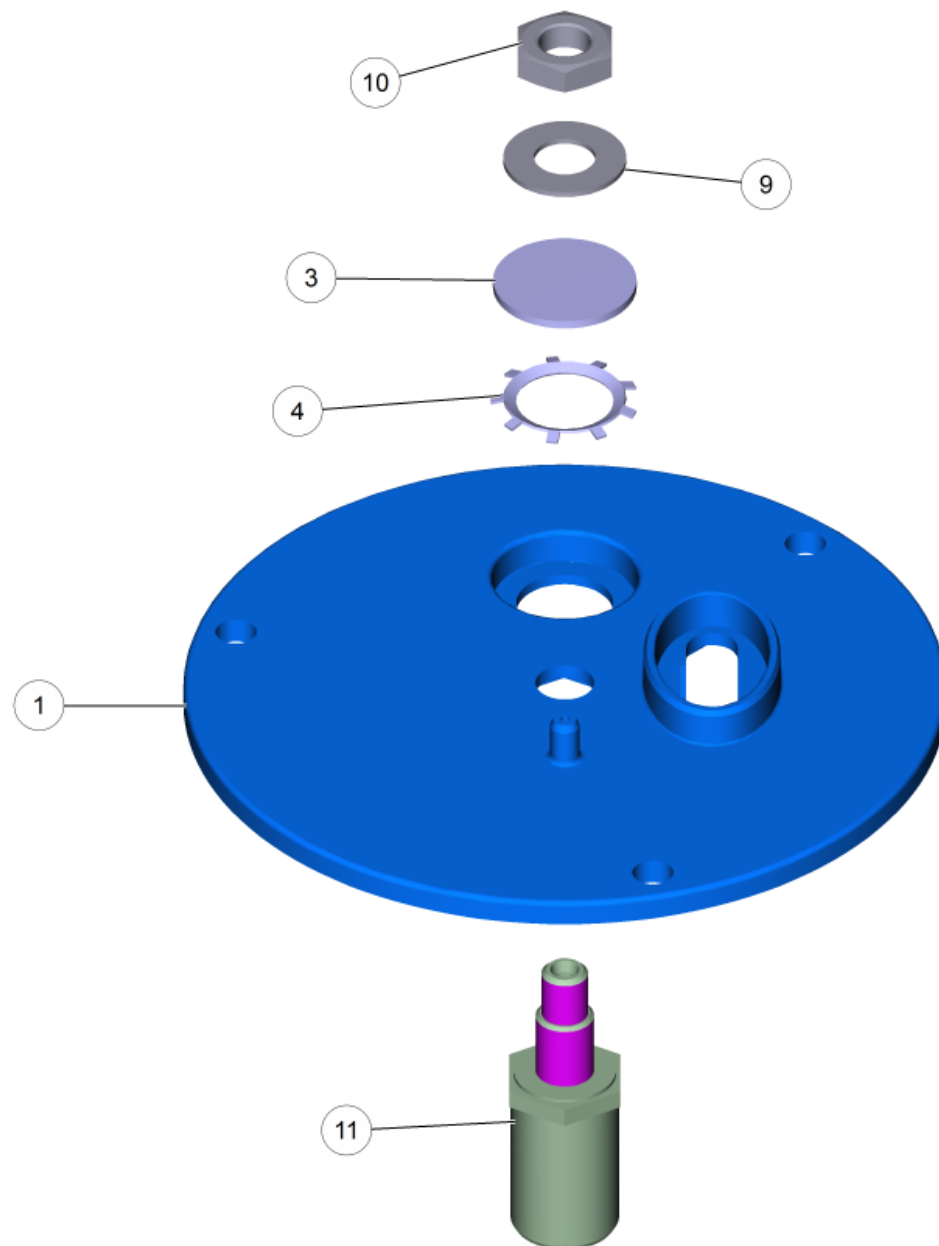
70 Flow heater

POS	Description	Quantity	Unit
73	Burner bottom	1	PC
71	Burner cover	1	PC
72	Heating coil	1	PC



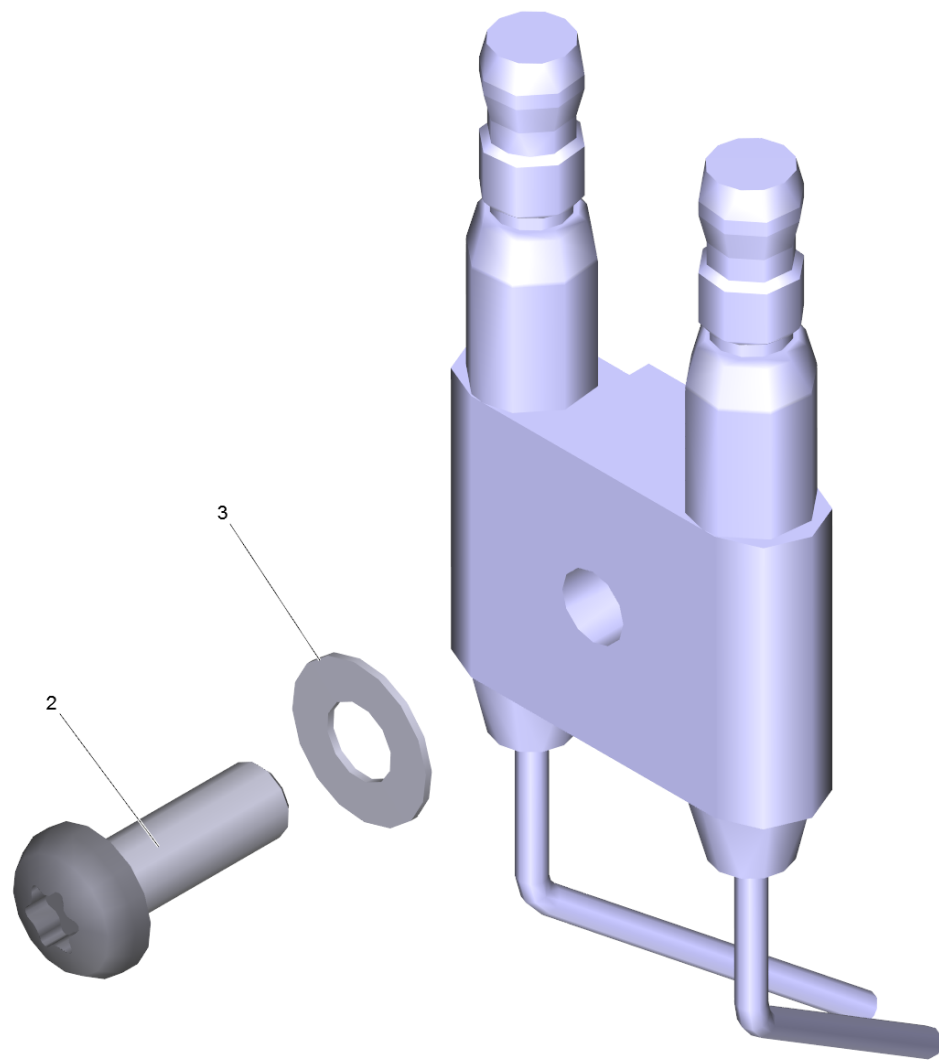
71 Burner cover

POS	Article no.	Description	Quantity	Unit
3	5.423-186.0	Conduit fuel	1	PC
22	5.423-187.0	Conduit fuel	1	PC
	Item text1: / 1.025-308.0 / -309.0			
21	2.638-976.0	Conversion kit ignition cable	1	PC
11	2.638-974.0	Conversion kit ignition electrode	1	PC
8	4.654-218.0	Cover plate pressure boiler	1	PC
17	5.654-066.0	Cover plate pressure boiler external	1	PC
18	5.654-059.0	Cover pressure boiler	1	PC
5	6.389-263.0	Cutting ring d.4	1	PC
14	6.278-018.0	Glass pane	1	PC
6	7.311-101.0	Hexagon nut M10x1 -04-A2E DIN 936	1	PC
1	6.647-527.0	Holder	1	PC
2	4.821-071.0	IGNITION LEAD (HDS 557CI)	1	PC
16	6.415-682.0	Nozzle 1,35 GPH 45 Grad W	1	PC
15	5.667-055.0	Nozzle holder	1	PC
19	5.394-470.0	Protecting cap	1	PC
12	6.303-192.0	Screw M5x12 TX TAPTITE2000	1	PC
10	7.306-326.0	Screw M5x14 -8.8-ZNBHL (In6Rd)	1	PC
9	6.303-258.0	Self-tapping screw	3	PC
13	6.343-165.0	Serrated ring	1	PC
7	7.312-302.0	Spring washer B10-FST-A2E DIN 137	1	PC
4	6.389-262.0	Union nut A 4-LL	1	PC



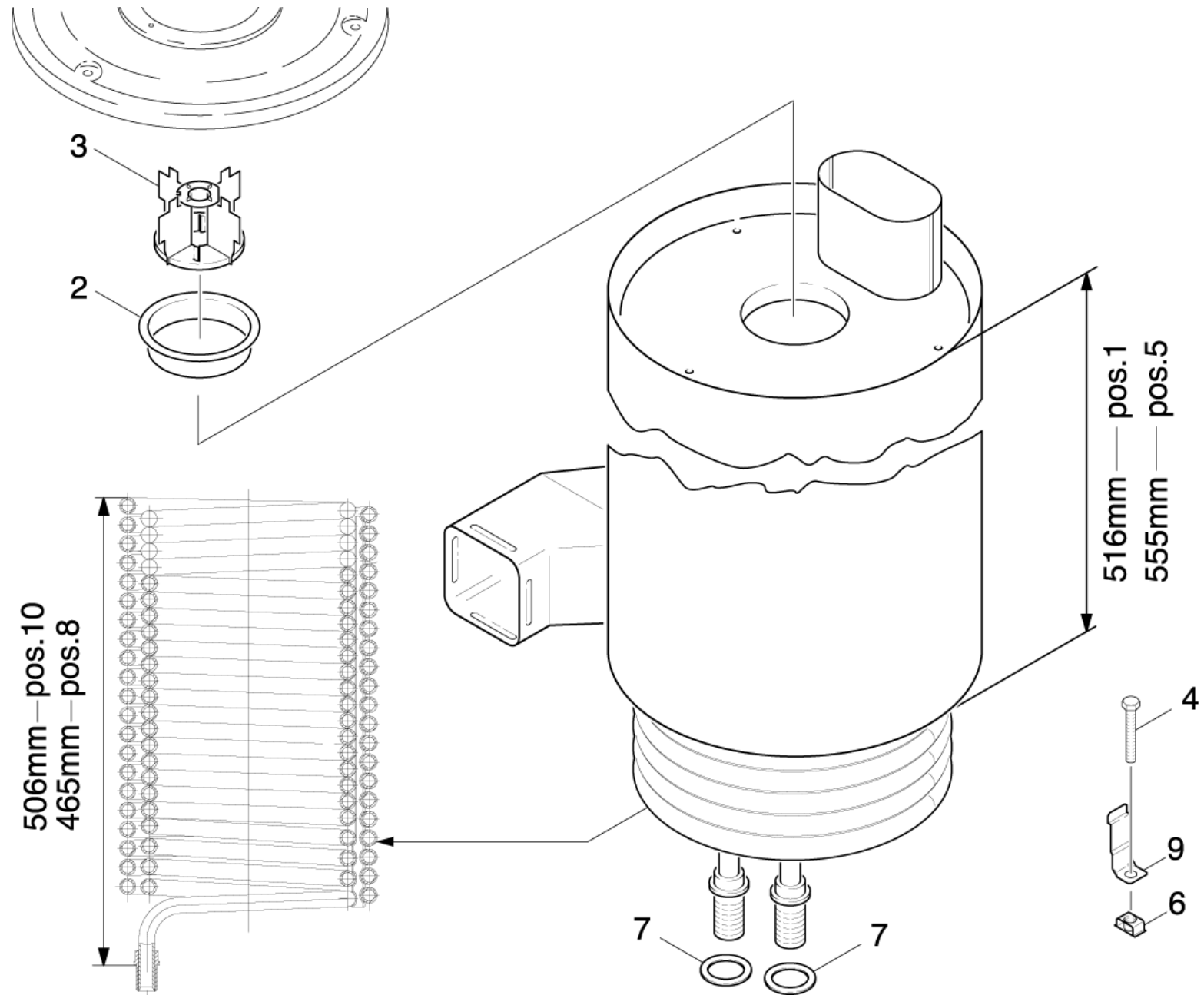
8 Cover plate pressure boiler (4.654-218.0)

POS	Article no.	Description	Quantity	Unit
1	5.662-022.0	Burner cover	1	PC
3	6.278-018.0	Glass pane	1	PC
10	7.311-101.0	Hexagon nut M10x1 -04-A2E DIN 936	1	PC
11	5.667-055.0	Nozzle holder	1	PC
4	6.343-165.0	Serrated ring	1	PC
9	7.312-302.0	Spring washer B10-FST-A2E DIN 137	1	PC



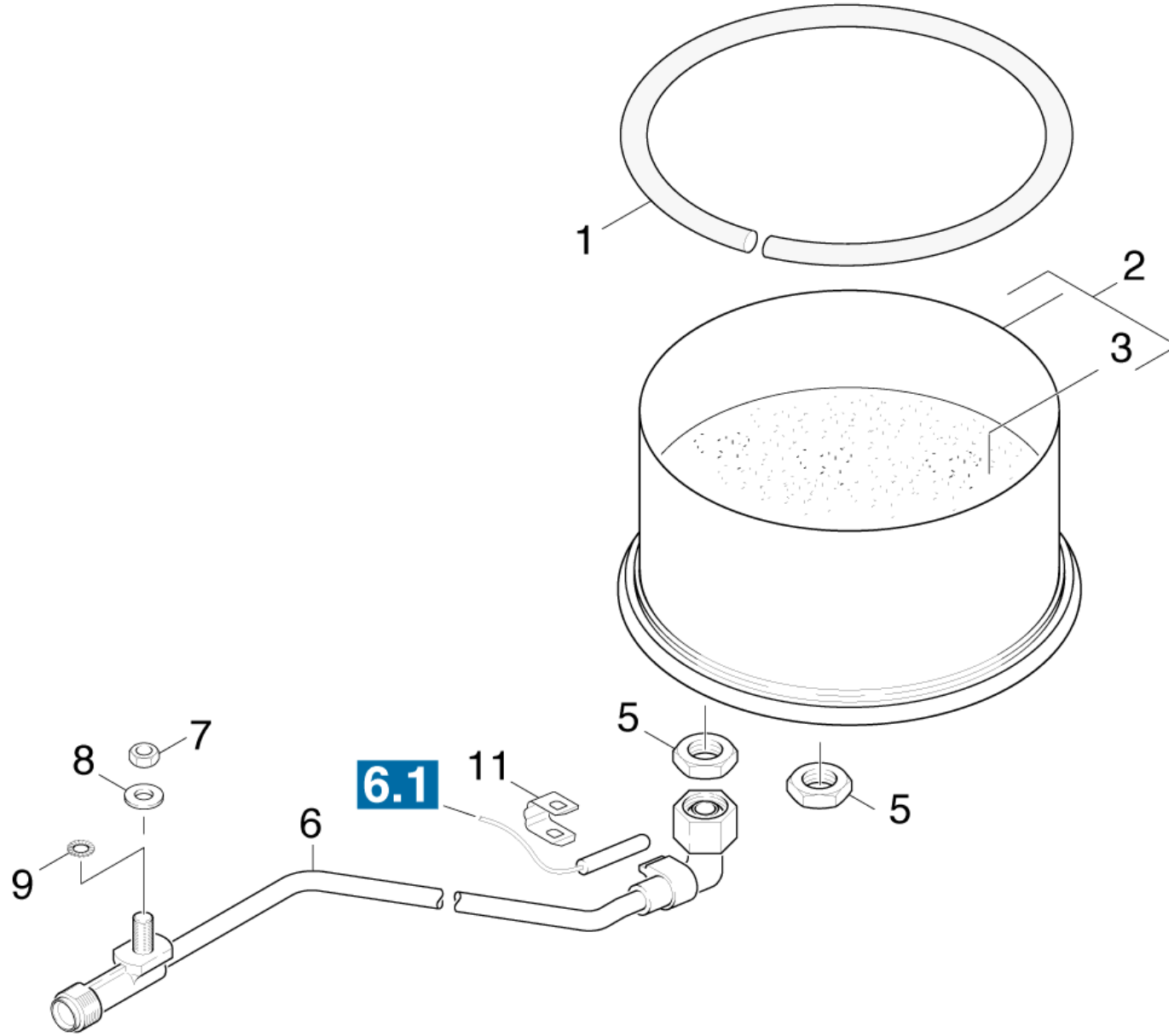
11 Conversion kit ignition electrode (2.638-974.0)

POS	Article no.	Description	Quantity	Unit
2	7.306-326.0	Screw M5x14 -8.8-ZNBHL (In6Rd)	1	PC
3	7.312-304.0	Spring washer B 5-FST-A2E DIN 137	1	PC



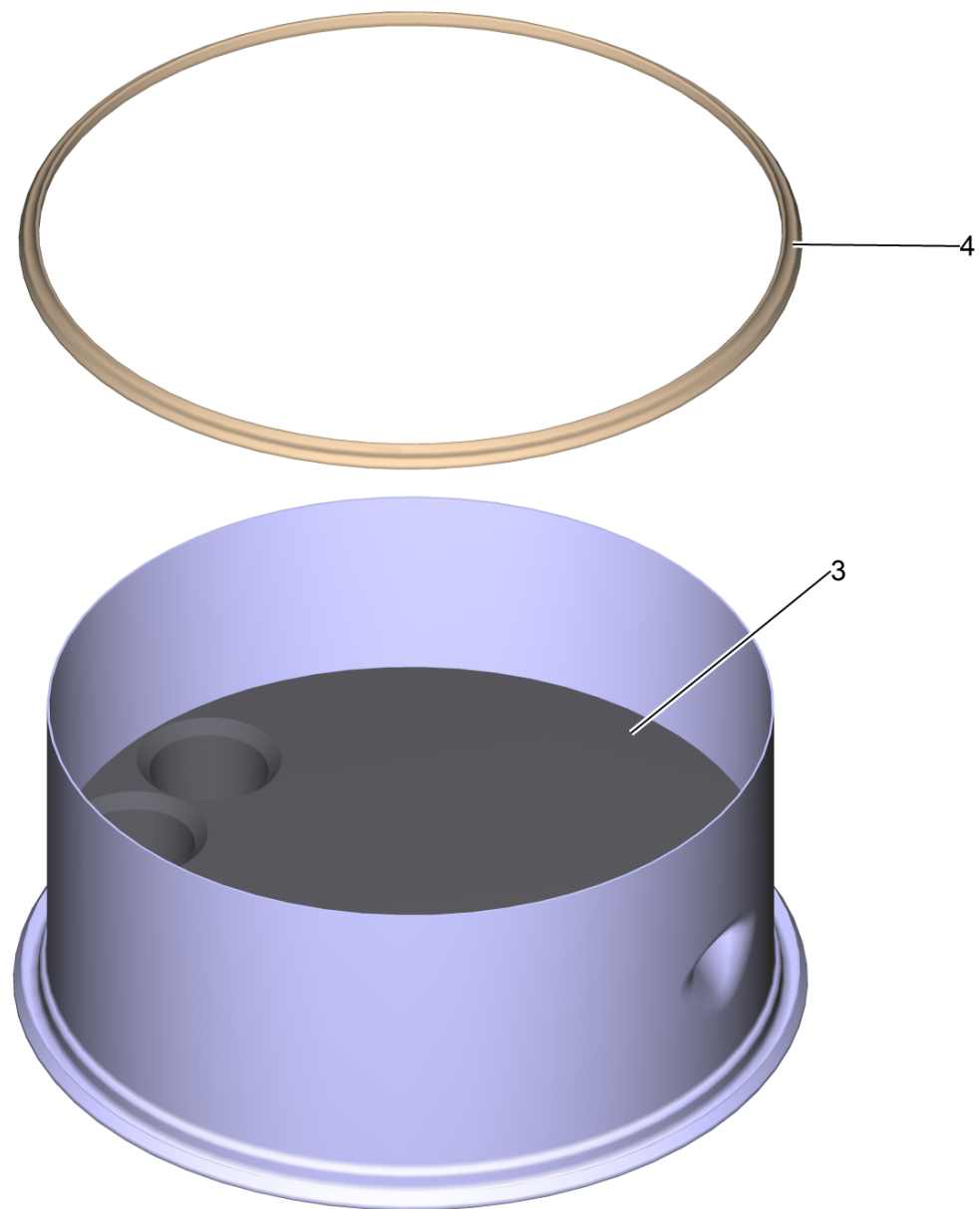
72 Heating coil

POS	Article no.	Description	Quantity	Unit	Remark	Foot note text
3	4.663-088.0	Baffle plate complete	1	PC		
6	6.310-081.0	Cage nut M 8	3	PC		
2	5.664-195.0	Flame tube	1	PC		
8	4.680-123.3	Heating coil	1	PC	VERSION 1	
10	4.680-135.3	Heating coil	1	PC	VERSION 2	
	Item text1: / 1.025-308.0 / -309.0					
8	4.680-114.3	Heating coil VA	1	PC	VERSION 1	STAINLESS STEEL CONSTRUCTION
10	4.680-137.3	Heating coil VA	1	PC	VERSION 2	STAINLESS STEEL CONSTRUCTION
4	7.304-051.0	Hexagonal head screw M 8x16 -8.8-P2R EN 1665	3	PC		
9	5.044-420.0	Holder	3	PC		
1	4.652-123.0	Outer covering	1	PC	VERSION 1	
7	5.365-068.0	Profile gasket	2	PC		
5	4.652-131.0	Vessel mantel complete	1	PC	VERSION 2	
	Item text1: / 1.025-308.0 / -309.0					



73 Burner bottom

POS	Article no.	Description	Quantity	Unit
2	4.655-044.0	Bottom pressure boiler	1	PC
7	7.311-511.0	Hexagon nut M10-8-A2K ISO 7040	1	PC
5	7.311-112.0	Hexagon nut M22X1,5 -22H-A2E DIN 936	2	PC
6	4.421-627.0	Pipelines outlet	1	PC
	Item text1: / 1.025-301.0 / -302.0 / -305.0 / -306.0 / -307.0 / -308.0 / -309.0 / -321.0 / -322.0			
6	4.421-645.0	Pipelines outlet	1	PC
	Item text1: / 1.025-303.0			
1	6.366-009.0	Seal string	1	PC
3	7.777-999.0	Stockpiling discontinued	1	PC
11	5.263-064.0	Tensioning part	1	PC
9	7.312-160.0	Toothed lock washer A10,5-FSt-A3E DIN 6797	1	PC
8	7.312-285.0	Washer 10-200HV-A2E ISO 7093-1	1	PC

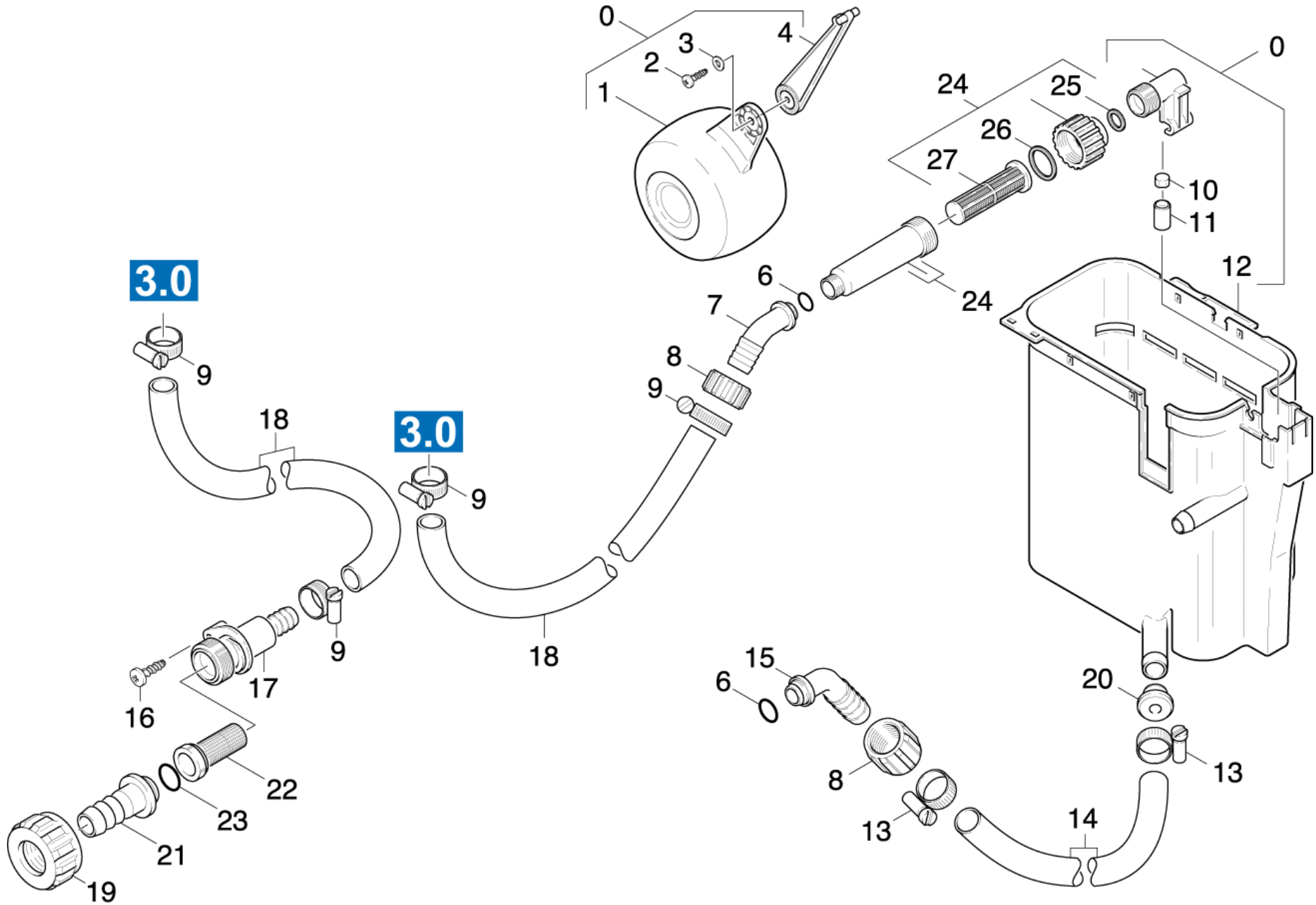


2 Bottom pressure boiler (4.655-044.0)

POS	Article no.	Description	Quantity	Unit
4	6.366-009.0	Seal string	1	PC
3	7.777-999.0	Stockpiling discontinued	1	PC

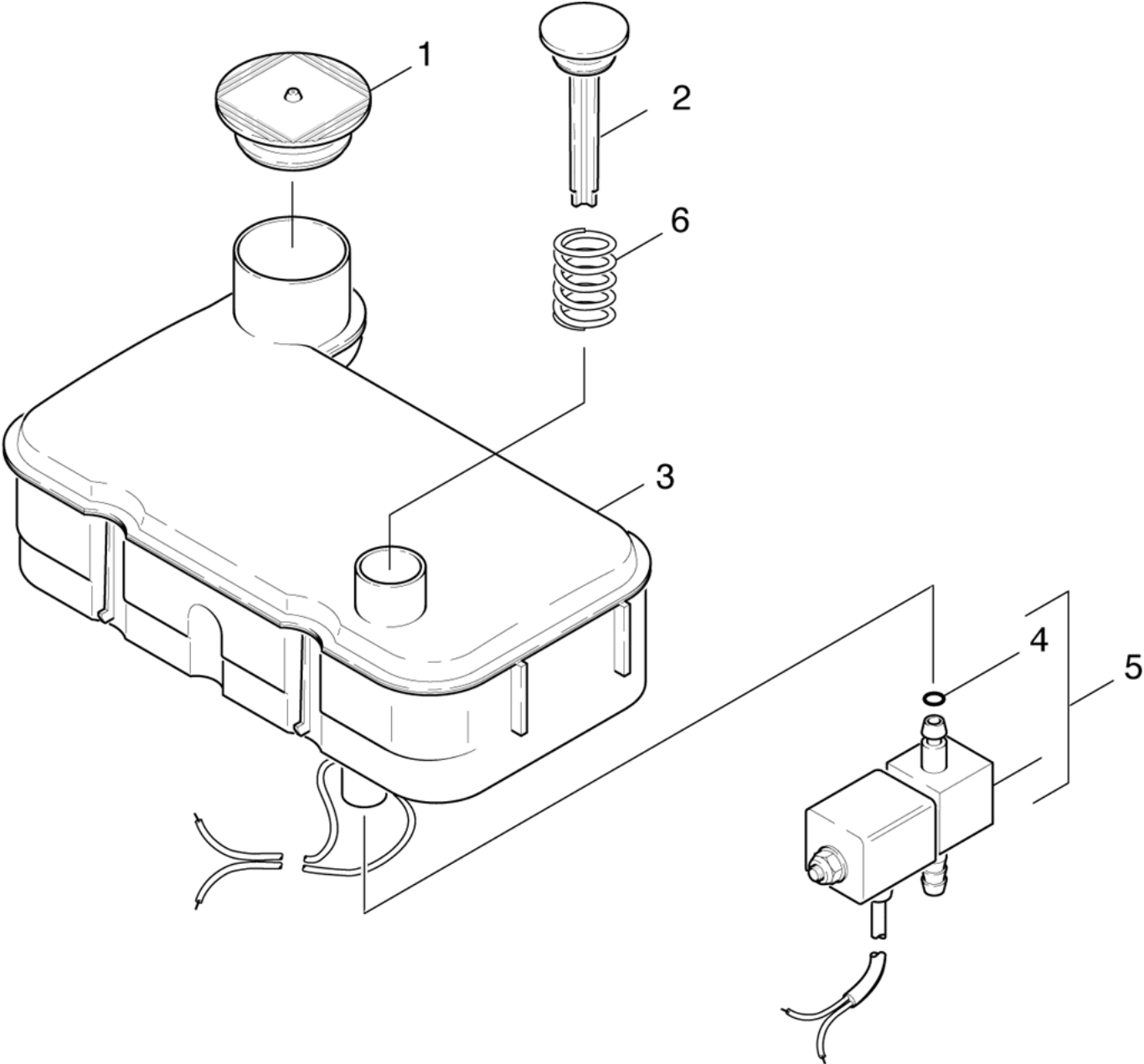
80 Float chest

POS	Description	Quantity	Unit
82	DGT	1	PC
81	Float chest	1	PC



81 Float chest

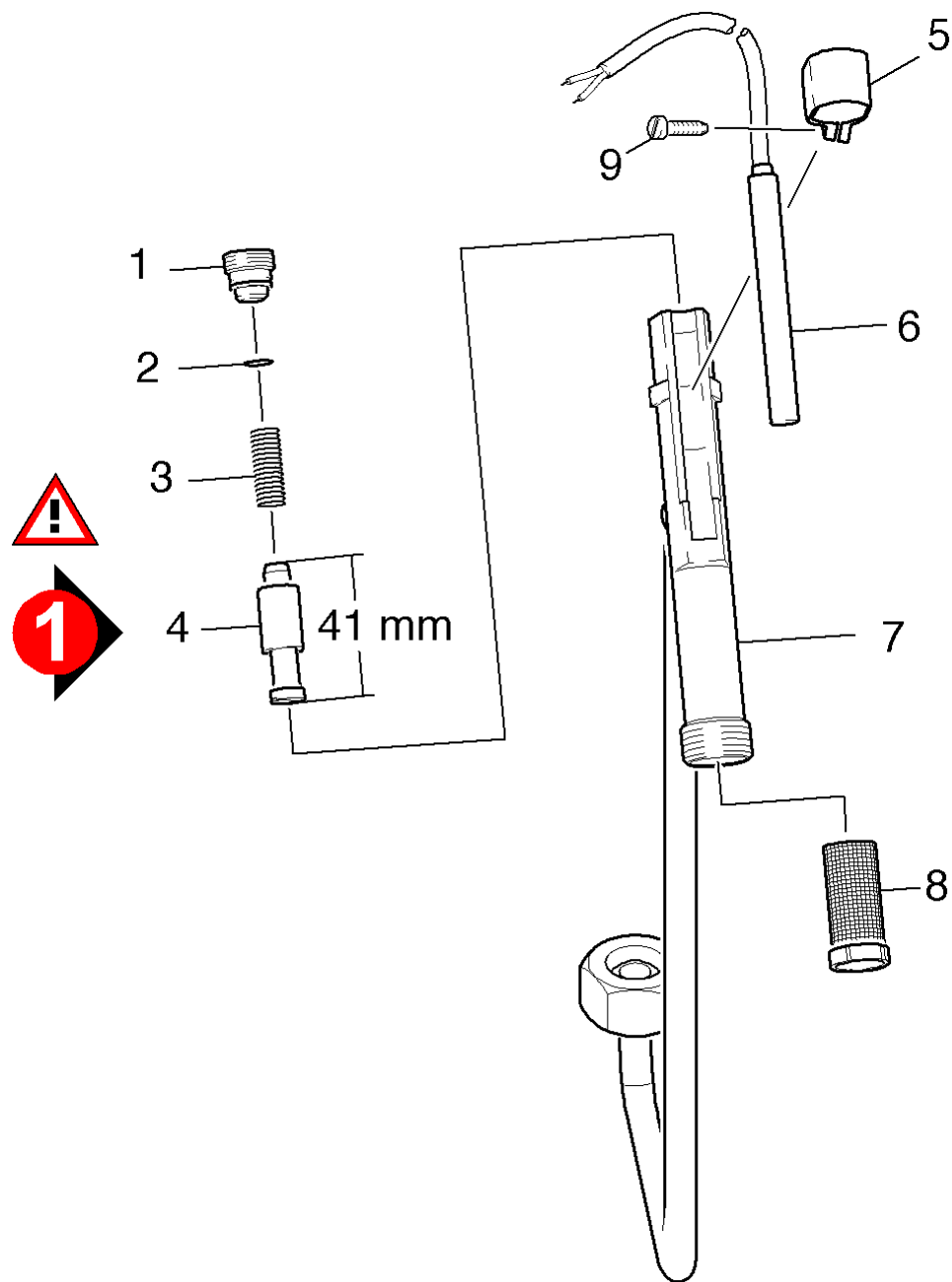
POS	Article no.	Description	Quantity	Unit	Foot note text
20	5.112-286.0	Bush	1	PC	
10	5.364-095.0	Flat gasket	1	PC	
1	5.585-024.0	Float	1	PC	
0	3.593-082.0	Float valve	1	PC	
9	6.388-547.0	Hose clip	4	PC	
13	7.373-022.0	Hose clip A-16-27x9 -W2-2 DIN3017	2	PC	
18	6.388-719.0	Hose DN17	1	m	TO ORDER AS CUT GOODS
7	5.443-285.0	Hose stem	1	PC	
15	5.443-211.0	Hose stem	1	PC	
21	5.443-291.0	Hose stem	1	PC	
4	5.481-118.0	Lever	1	PC	
17	5.427-154.0	Manifold	1	PC	
8	5.310-062.0	Nut	2	PC	
19	5.310-076.0	Nut	1	PC	
6	6.362-078.0	O-Ring seal 13,3x2,4	2	PC	
23	6.362-161.0	O-Ring seal 19,3 X 2,4	1	PC	
14	6.392-256.0	Piece of tube 19x4x430	1	PC	
2	7.303-104.0	Screw 5x16 -A2-70 (IN6RD)	1	PC	
16	7.303-112.0	Screw 6x20 -10.9-R2R (In6Rd)	1	PC	
25	5.363-545.0	Seal	1	PC	
	Item text1: / 1.025-307.0 / -308.0 / -309.0				
26	5.363-336.0	Seal	1	PC	
	Item text1: / 1.025-307.0 / -308.0 / -309.0				
22	6.414-141.0	Strainer	1	PC	
12	5.070-140.0	Tank	1	PC	
5	5.587-147.0	Valve housing	1	PC	
11	5.584-085.0	Valve pin	1	PC	
3	7.312-282.0	Washer 5-A2 ISO 7093-1	1	PC	
24	4.730-127.0	Water filter	1	PC	
	Item text1: / 1.025-307.0 / -308.0 / -309.0				
27	5.731-634.0	Water filter	1	PC	
	Item text1: / 1.025-307.0 / -308.0 / -309.0				



POS	Article no.	Description	Quantity	Unit
1	5.063-487.0	Cover	1	PC
2	5.063-507.0	Cover	1	PC
6	5.332-001.0	Helical spring	1	PC
4	6.362-113.0	O-Ring seal 6,0 x 2,0 NBR 70	1	PC
5	6.685-845.0	Solenoid valve	1	PC
3	4.070-188.0	WATER SOFTNER TANK	1	PC

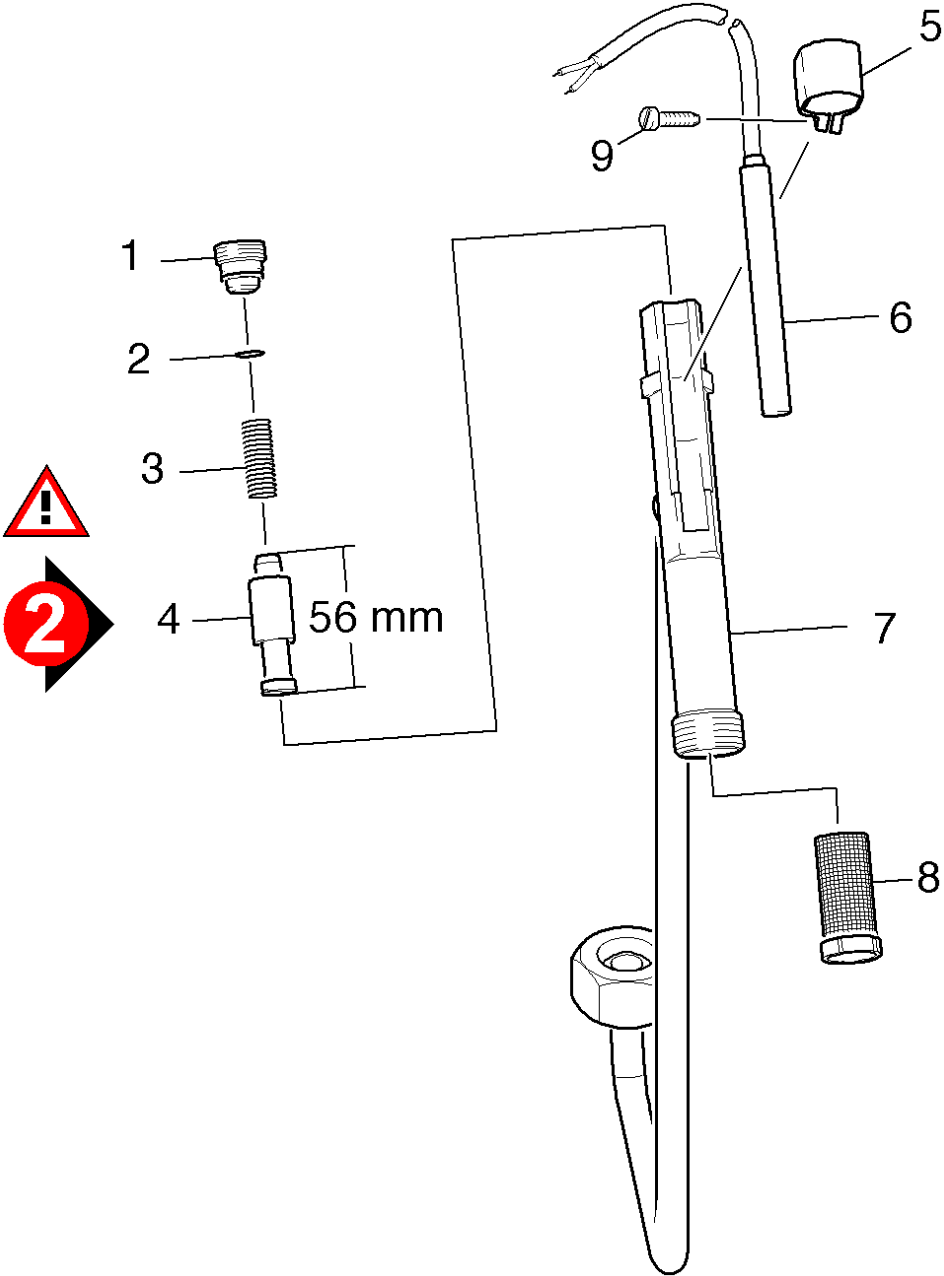
90 Safety system

POS	Description	Quantity	Unit	Remark
91	Safety system	1	PC	VERSION 1
92	Safety system	1	PC	VERSION 2



91 Safety system

POS	Article no.	Description	Quantity	Unit
5	5.041-076.0	Clamp	1	PC
3	5.332-057.0	Helical spring	1	PC
9	6.303-122.0	M4 .2X13 DIN 7981 TORX T15 PAN HD HI/LO	1	PC
7	4.427-202.0	Manifold	1	PC
2	6.362-482.0	O-Ring seal 10 x 1,5-NBR 70	1	PC
4	4.553-022.0	Piston	1	PC
6	2.880-194.0	Reed switch replacement	1	PC
1	5.305-162.0	Shaped screw	1	PC
8	6.414-566.0	Strainer WMS	1	PC

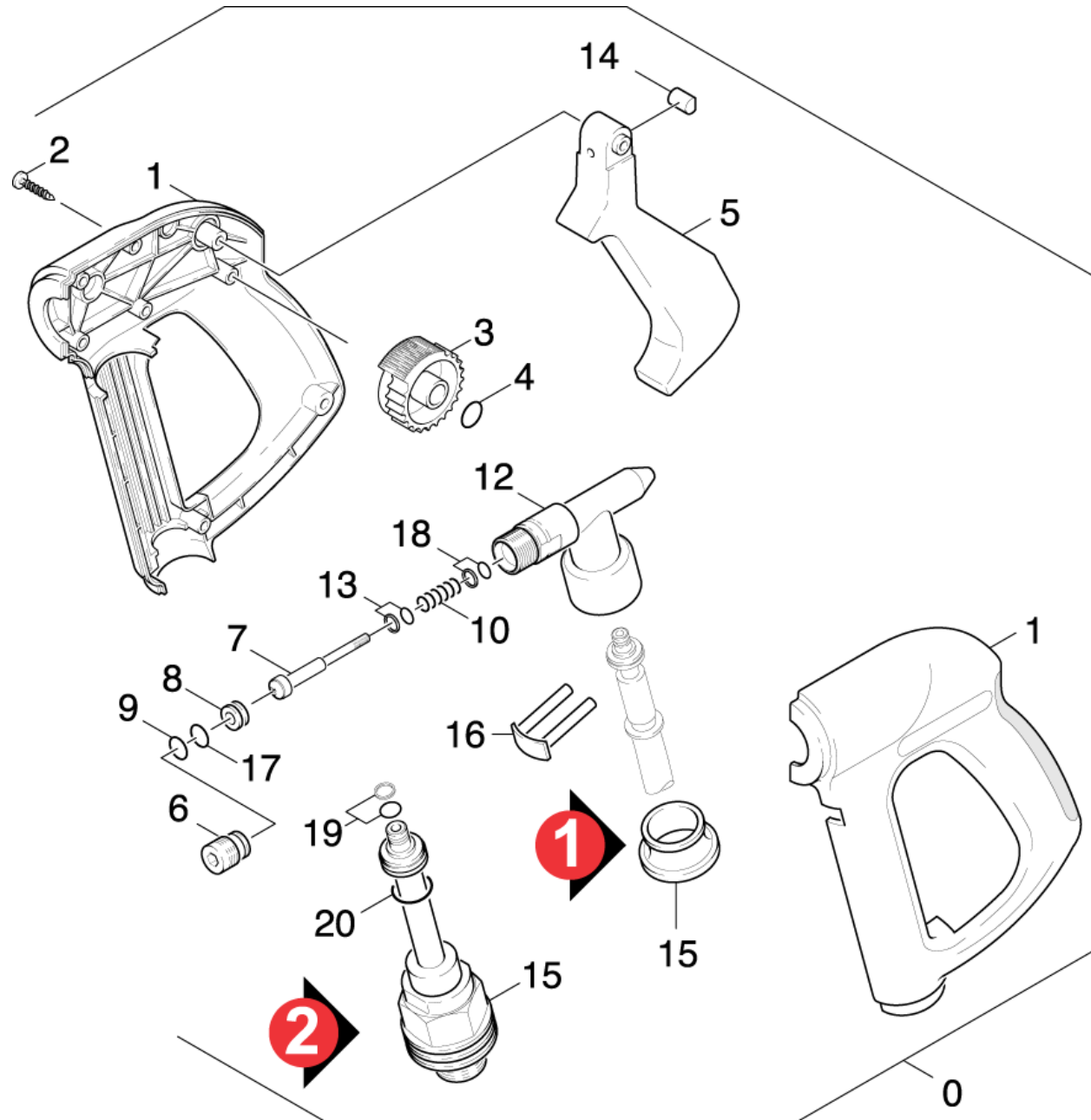


92 Safety system

POS	Article no.	Description	Quantity	Unit
4	4.551-058.0	Cartridge protection against water short	1	PC
5	5.041-076.0	Clamp	1	PC
3	5.332-057.0	Helical spring	1	PC
9	6.303-122.0	M4 .2X13 DIN 7981 TORX T15 PAN HD HI/LO	1	PC
7	4.427-335.0	Manifold	1	PC
2	6.362-482.0	O-Ring seal 10 x 1,5-NBR 70	1	PC
6	2.880-194.0	Reed switch replacement	1	PC
1	5.305-162.0	Shaped screw	1	PC
8	6.414-566.0	Strainer WMS	1	PC

100 Accessories

POS	Description	Quantity	Unit	Remark
101	Hand trigger gun	1	PC	VERSION 1
102	Hand trigger gun	1	PC	VERSION 2
103	Hand trigger gun	1	PC	VERSION 3
104	High pressure hose	1	PC	
108	Hose reel	1	PC	
105	Jet pipe	1	PC	
106	Jet pipe	1	PC	
107	Steam nozzle	1	PC	



101 Hand trigger gun

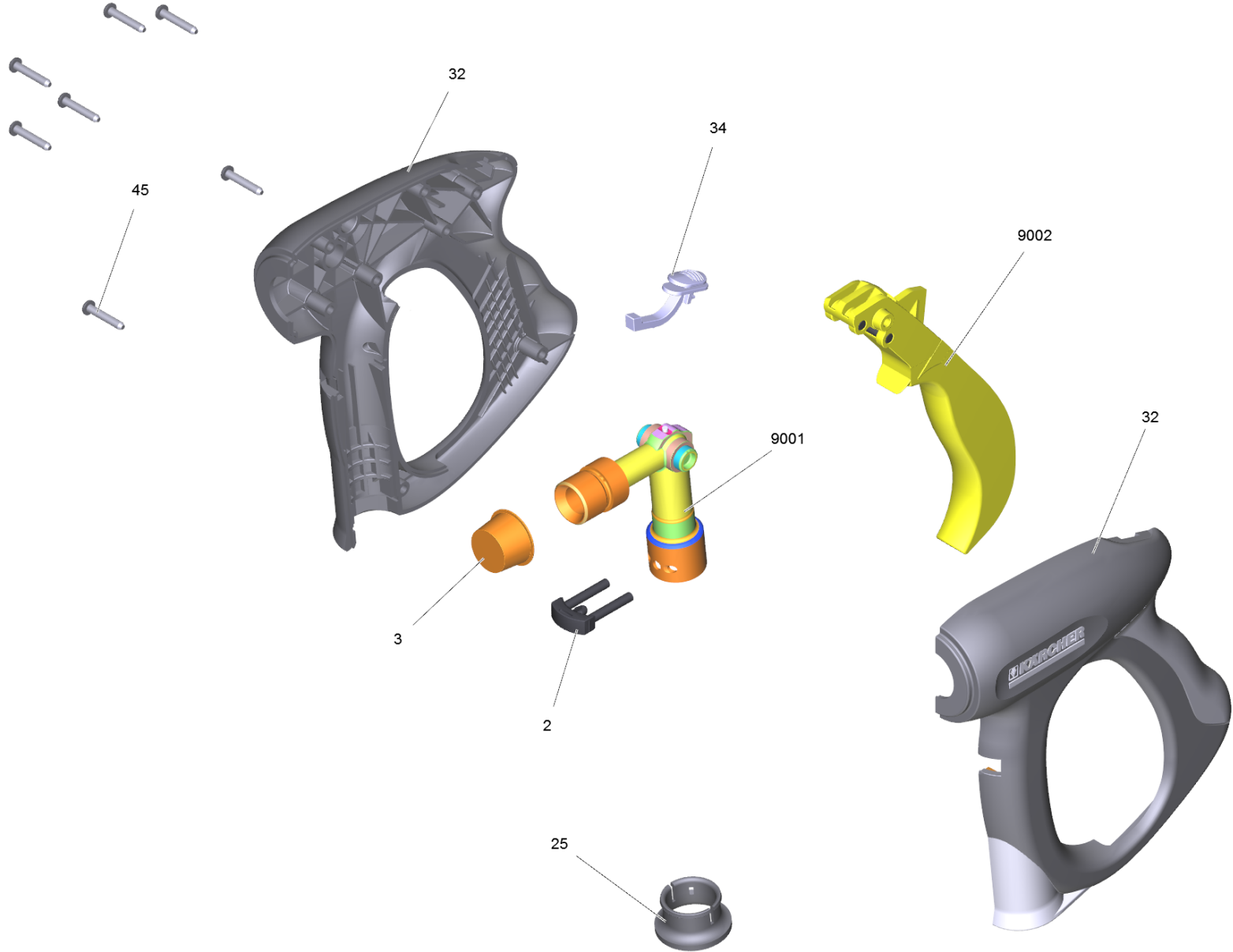
POS	Article no.	Description	Quantity	Unit
15	4.421-275.3	Adapter pipelines	1	PC
	Item text1: / 1.025-303.0 / -306.0			
14	5.316-400.0	Bolt	1	PC
1	5.321-534.0	Handhold few	1	PC
3	5.322-012.0	Hand wheel	1	PC
10	5.332-413.0	Helical spring	1	PC
6	5.404-080.0	Hollow screw	1	PC
16	4.037-013.0	Hook	1	PC
5	5.481-178.0	Lever	1	PC
12	5.427-214.0	Manifold	1	PC
4	6.362-642.0	O-Ring d. 7,65x1,78 -NBR 80	1	PC
20	6.363-606.0	O-Ring seal 4,7 x 1,9 -NBR70	1	PC
9	6.362-182.0	O-Ring seal 7,65x1,78 - NBR 90	1	PC
17	6.362-503.0	O-Ring seal 8,0 X 1,0	1	PC
13	6.362-964.0	O-Ring seal complete	1	PC
18	6.362-992.0	O-Ring seal complete 2,6X1,9	1	PC
19	4.363-691.0	O-Ring seal kpl. -nur fuer Ersatz-	1	PC
7	5.553-348.0	Piston	1	PC
2	7.303-096.0	Screw 4x22-ST-10.9-R2R (IN6RD)	8	PC
15	5.110-596.0	Sleeve	1	PC
	Item text1: / 1.025-301.0 / -302.0 / -305.0			
	Item text2: / -307.0 / -321.0 / -322.0			
0	7.777-999.0	Stockpiling discontinued	1	PC
0	7.777-999.0	Stockpiling discontinued	1	PC
100	7.777-999.0	Stockpiling discontinued	1	PC
8	5.581-243.0	Valve seat	1	PC

16 Hook (4.037-013.0)

POS	Article no.	Description	Quantity	Unit
1	5.037-109.0	HOOK	1	PC

102 Hand trigger gun

POS	Article no.	Description	Quantity	Unit	Remark
15	4.363-692.0	Grooved ring kpl. -nur fuer Ersatz-	1	PC	
10	5.321-669.3	Handhold few	1	PC	
3	5.321-668.0	Handle	1	PC	
1	4.775-463.0	HAND TRIGGER GUN EASY PRESS	1	PC	
9	4.037-013.0	Hook	1	PC	
5	6.390-208.0	Hose assembly DN8 40MPa 20m	1	PC	(20 m)
5	6.391-351.0	Hose assembly only for replacement DN8 4	1	PC	(10 m)
13	4.481-209.3	Lever complete for replacement	1	PC	
2	7.343-008.0	Locking ring 25x1,2-St-vz DIN 471	1	PC	
8	4.427-215.3	Manifold cpl. only for replacement	1	PC	
6	4.363-691.0	O-Ring seal kpl. -nur fuer Ersatz-	1	PC	
4	4.775-470.0	Rotary controller 416L	1	PC	
11	7.303-096.0	Screw 4x22-ST-10.9-R2R (IN6RD)	7	PC	
14	5.110-596.0	Sleeve	1	PC	
12	5.481-331.0	Slider	1	PC	
7	2.880-990.0	Spare part set O-Ring 5x -Kaercher	1	PC	

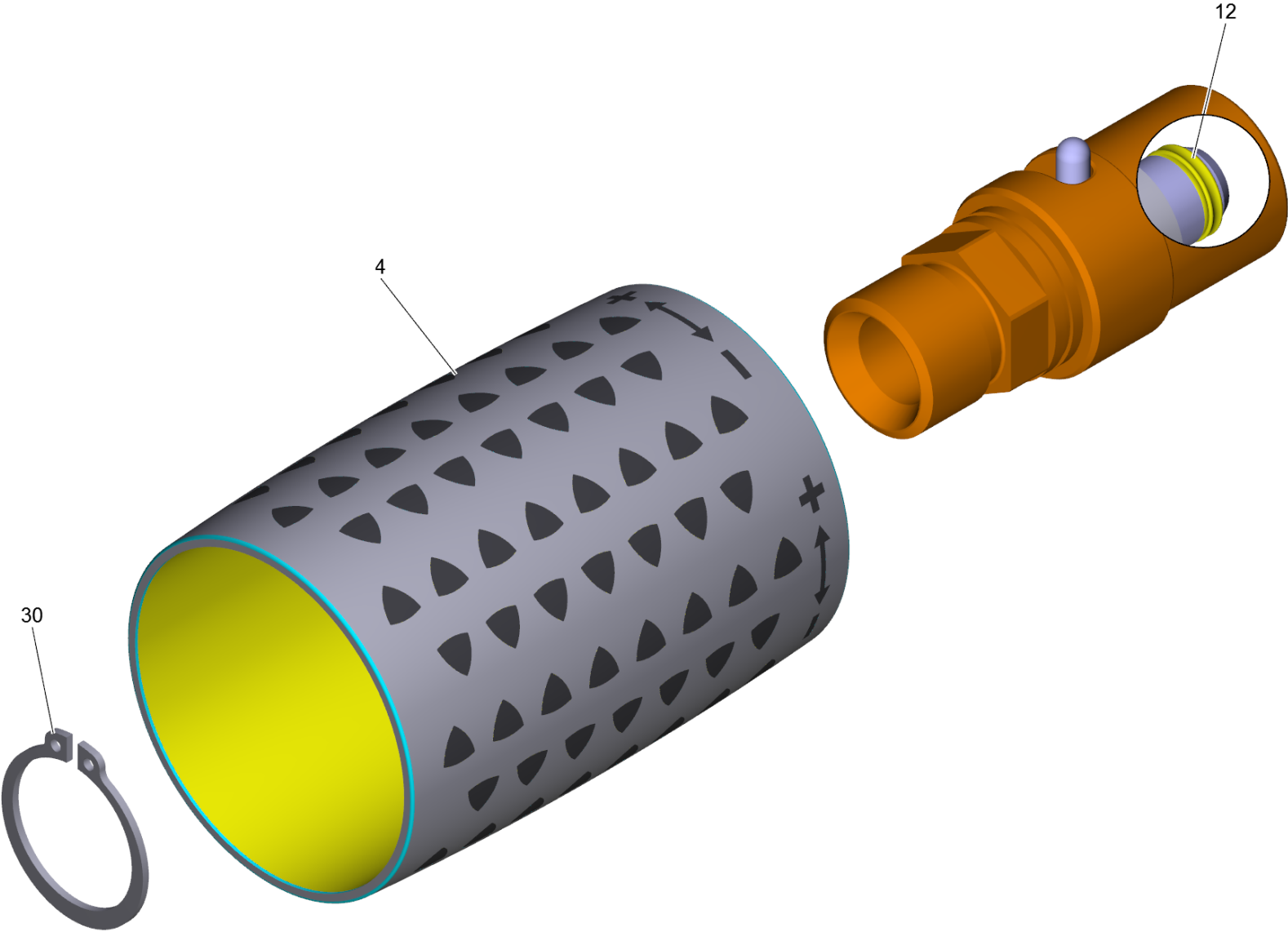


1 HAND TRIGGER GUN EASY PRESS (4.775-463.0)

POS	Article no.	Description	Quantity	Unit
32	5.321-669.3	Handhold few	1	PC
2	4.037-013.0	Hook	1	PC
9002	4.481-209.3	Lever complete for replacement	1	PC
9001	4.427-215.3	Manifold cpl. only for replacement	1	PC
3	6.368-012.0	Protecting cap 22X1,5	1	PC
45	7.303-096.0	Screw 4x22-ST-10.9-R2R (IN6RD)	7	PC
1041	6.288-044.0	Silicon grease 100 G	1	PC
25	5.110-596.0	Sleeve	1	PC
34	5.481-331.0	Slider	1	PC
4	7.777-999.0	Stockpiling discontinued	1	PC

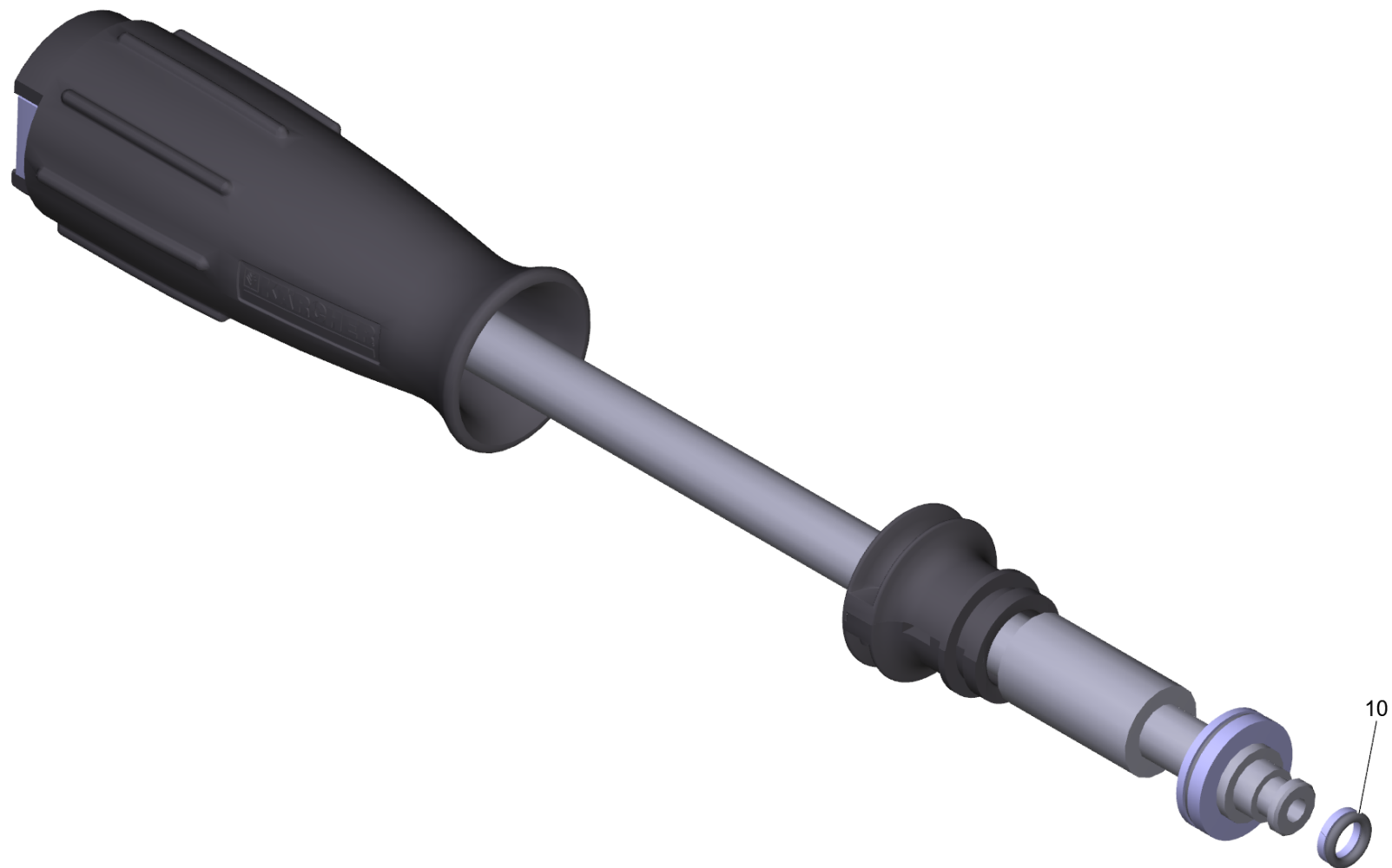
2 Hook (4.037-013.0)

POS	Article no.	Description	Quantity	Unit
1	5.037-109.0	HOOK	1	PC



4 Rotary controller 416L (4.775-470.0)

POS	Article no.	Description	Quantity	Unit
4	5.321-668.0	Handle	1	PC
30	7.343-069.0	Locking ring 25x1,2-1.4122 DIN 471	1	PC
12	2.880-001.0	Spare part set seals TR	1	PC

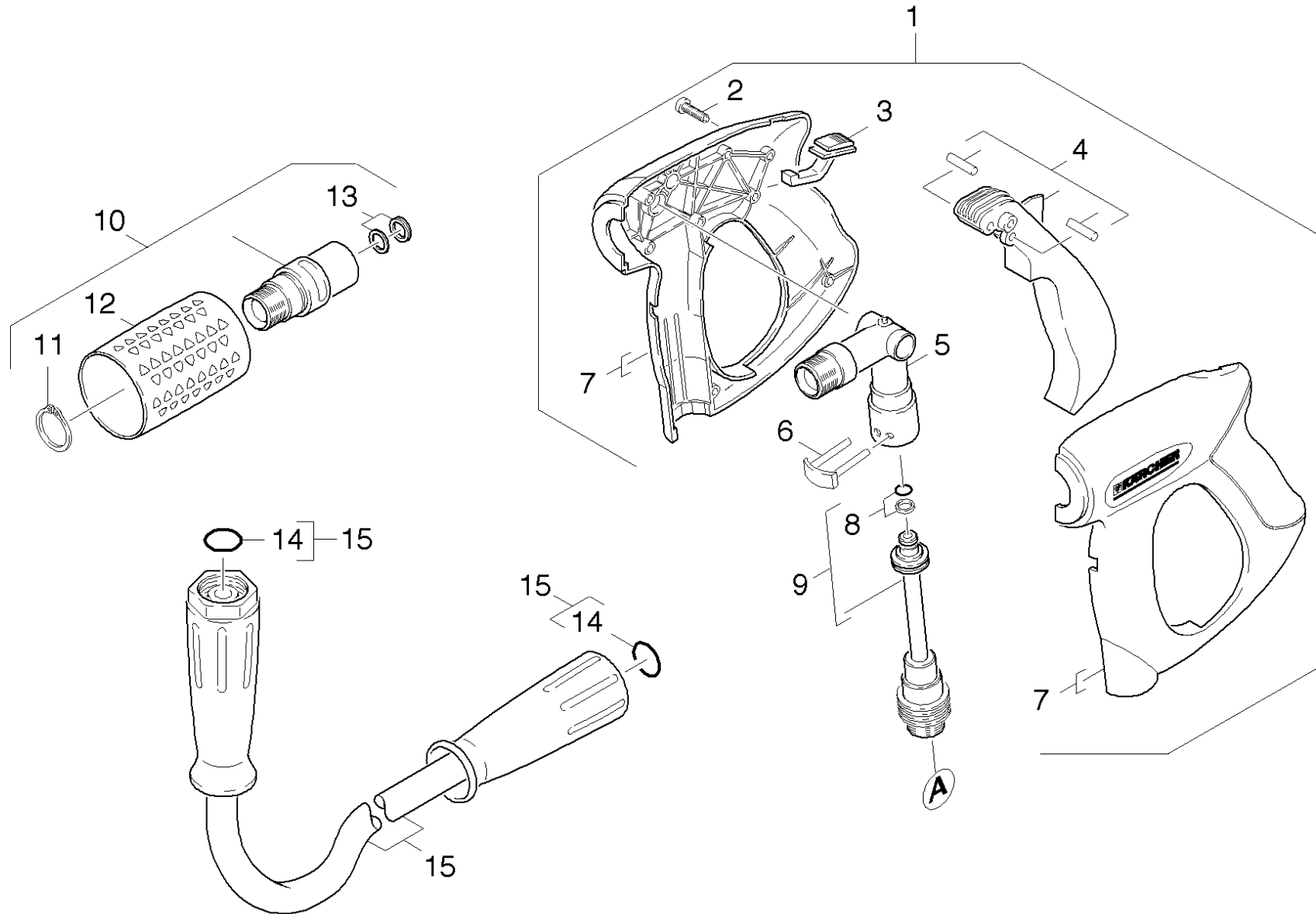


5 Hose assembly only for replacement DN8 4 (6.391-351.0)

POS	Article no.	Description	Quantity	Unit
10	4.363-691.0	O-Ring seal kpl. -nur fuer Ersatz-	1	PC

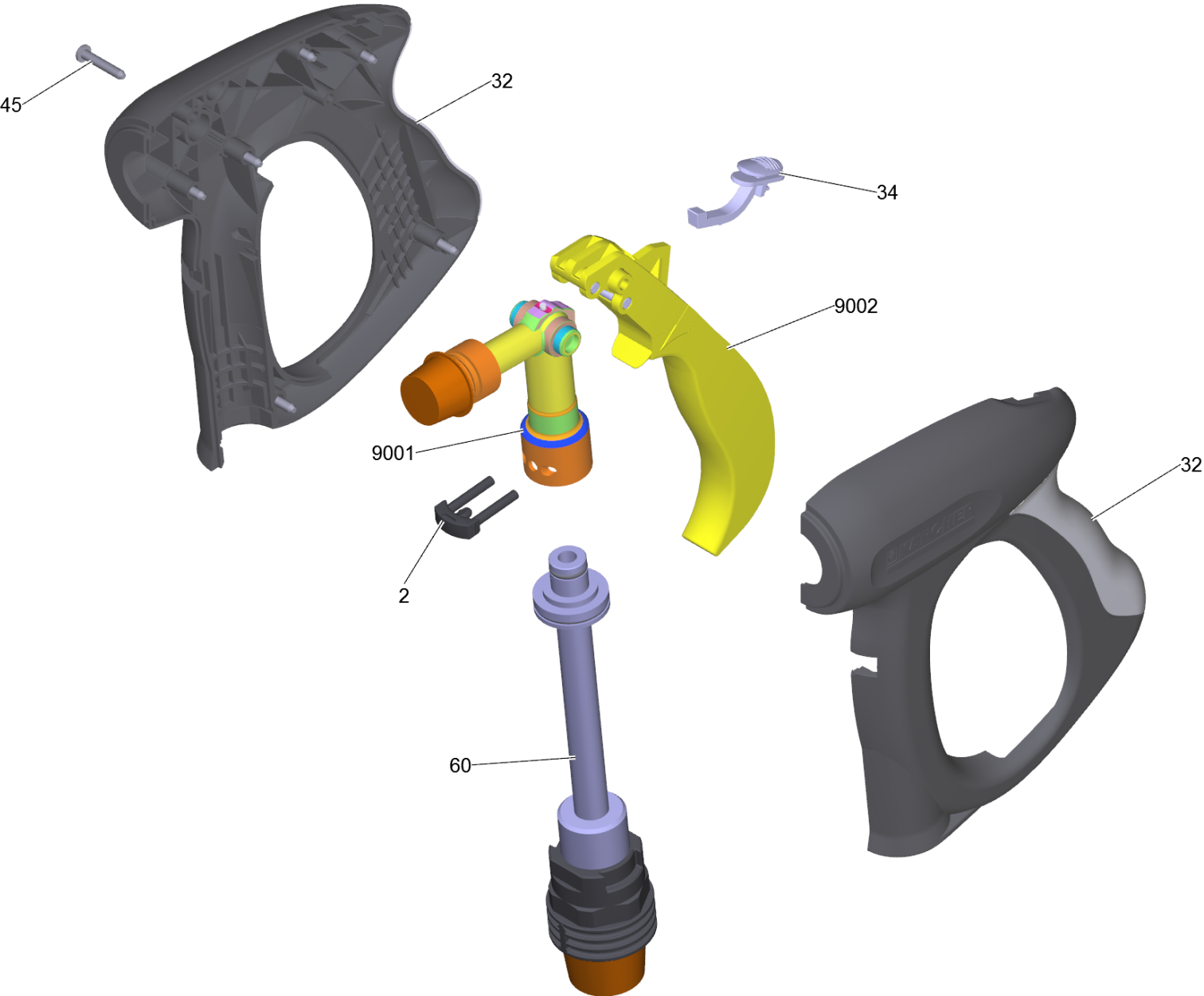
9 Hook (4.037-013.0)

POS	Article no.	Description	Quantity	Unit
1	5.037-109.0	HOOK	1	PC



103 Hand trigger gun

POS	Article no.	Description	Quantity	Unit
9	4.421-739.3	Adapter pipelines AVS-M22x1,5	1	PC
13	4.363-692.0	Grooved ring kpl. -nur fuer Ersatz-	1	PC
7	5.321-669.3	Handhold few	2	PC
12	5.321-668.0	Handle	1	PC
1	4.775-466.0	Hand trigger gun	1	PC
6	4.037-013.0	Hook	1	PC
15	6.391-354.0	Hose assembly only for replacement DN8 4	1	PC
	Item text1: 1.025-303.0			
15	6.389-709.0	Hose assembly rotatable DN8 40MPa 15m	1	PC
	Item text1: 1.025-306.0			
4	4.481-209.3	Lever complete for replacement	1	PC
11	7.343-008.0	Locking ring 25x1,2-St-vz DIN 471	1	PC
5	4.427-215.3	Manifold cpl. only for replacement	1	PC
8	4.363-691.0	O-Ring seal kpl. -nur fuer Ersatz-	1	PC
10	4.775-470.0	Rotary controller 416L	1	PC
2	7.303-096.0	Screw 4x22-ST-10.9-R2R (IN6RD)	7	PC
3	5.481-331.0	Slider	1	PC
14	2.880-990.0	Spare part set O-Ring 5x -Kaercher	1	PC

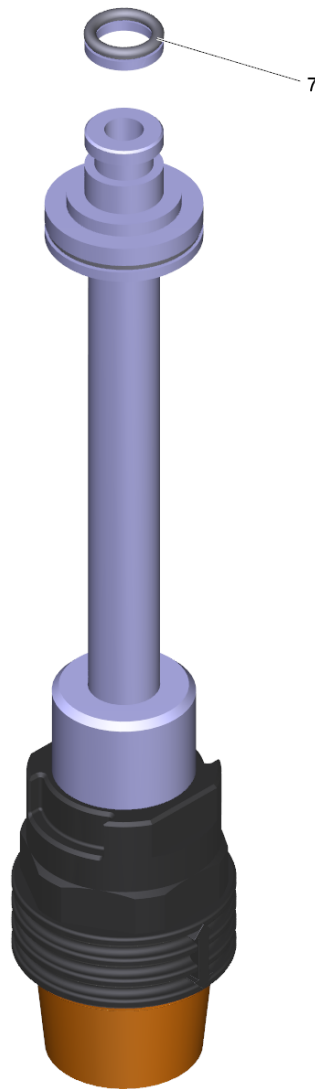


1 Hand trigger gun (4.775-466.0)

POS	Article no.	Description	Quantity	Unit
60	4.421-739.3	Adapter pipelines AVS-M22x1,5	1	PC
32	5.321-669.3	Handhold few	1	PC
2	4.037-013.0	Hook	1	PC
9002	4.481-209.3	Lever complete for replacement	1	PC
9001	4.427-215.3	Manifold cpl. only for replacement	1	PC
45	7.303-096.0	Screw 4x22-ST-10.9-R2R (IN6RD)	7	PC
34	5.481-331.0	Slider	1	PC

2 Hook (4.037-013.0)

POS	Article no.	Description	Quantity	Unit
1	5.037-109.0	HOOK	1	PC

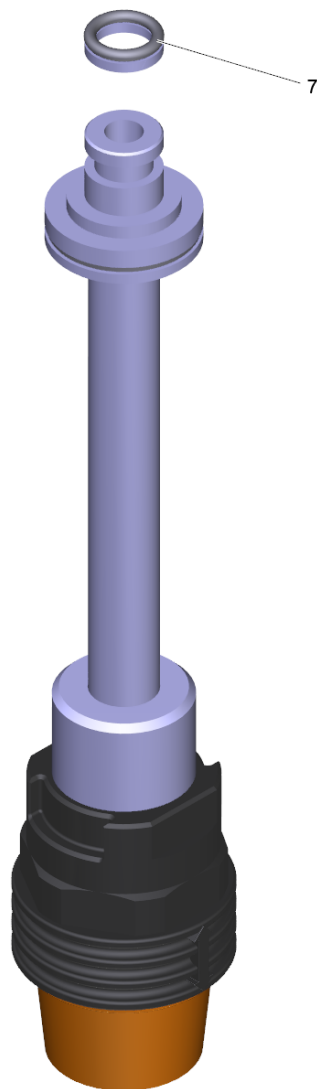


60 Adapter pipelines AVS-M22x1,5 (4.421-739.3)

POS	Article no.	Description	Quantity	Unit
7	4.363-691.0	O-Ring seal kpl. -nur fuer Ersatz-	1	PC

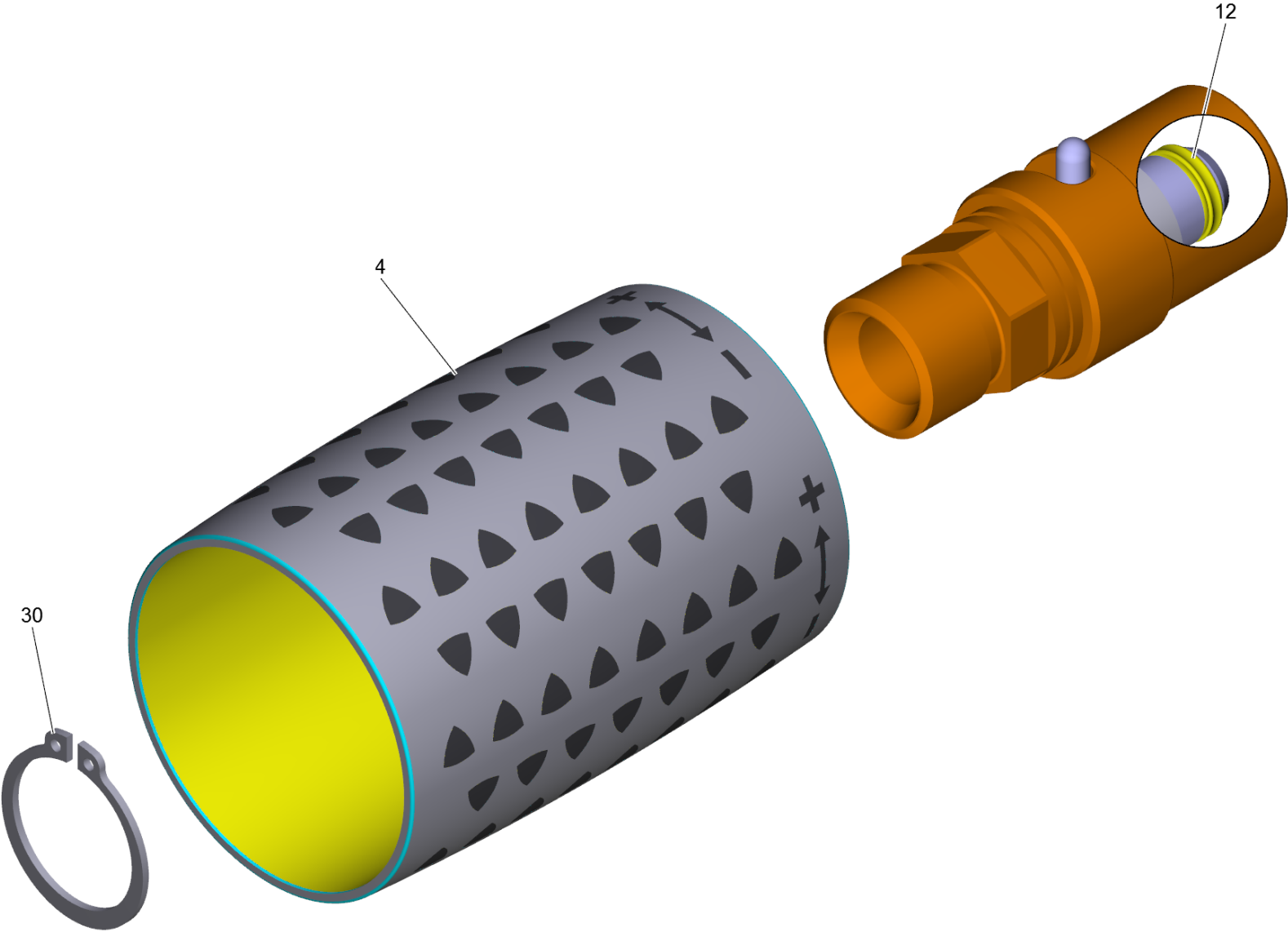
6 Hook (4.037-013.0)

POS	Article no.	Description	Quantity	Unit
1	5.037-109.0	HOOK	1	PC



9 Adapter pipelines AVS-M22x1,5 (4.421-739.3)

POS	Article no.	Description	Quantity	Unit
7	4.363-691.0	O-Ring seal kpl. -nur fuer Ersatz-	1	PC

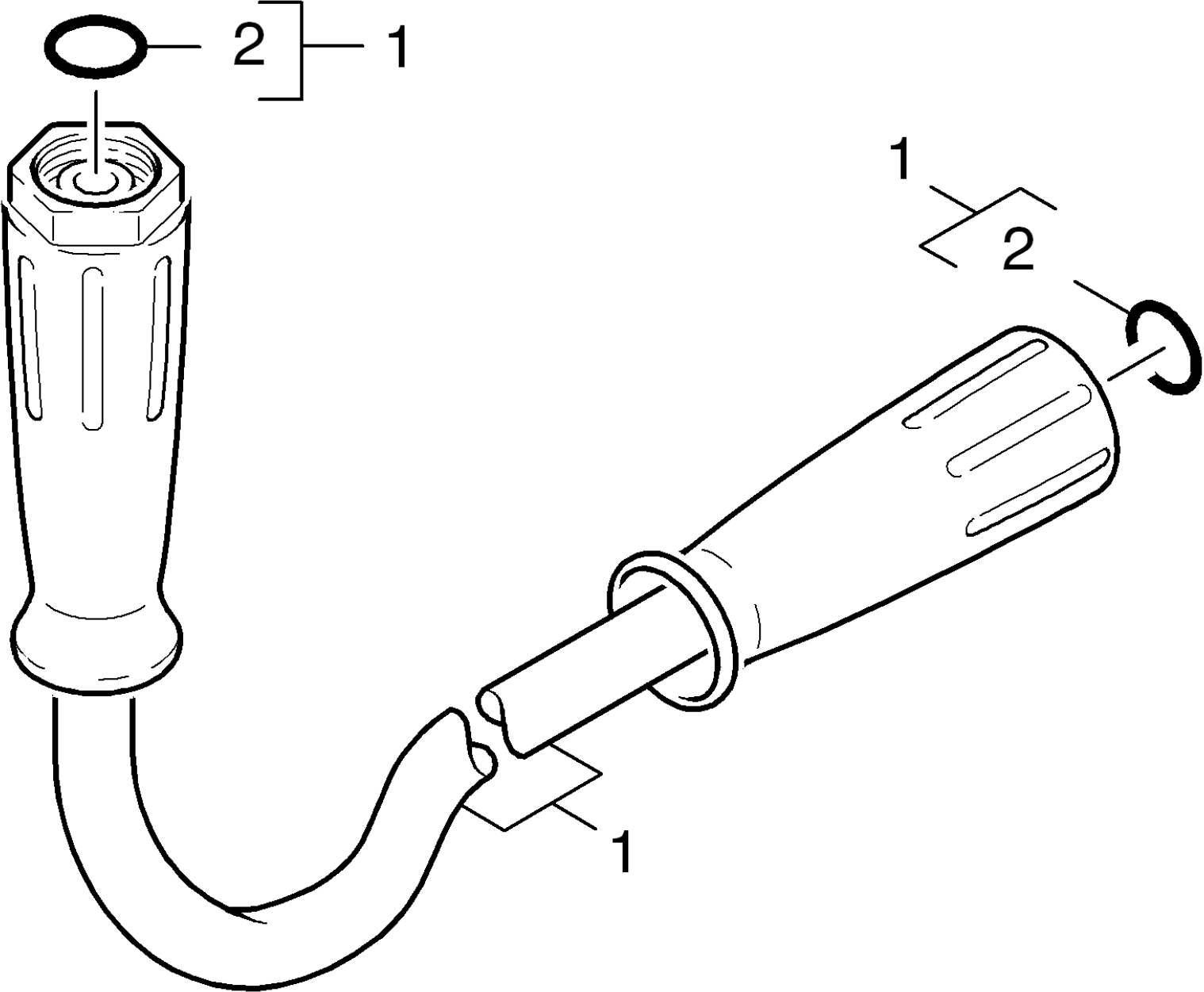


10 Rotary controller 416L (4.775-470.0)

POS	Article no.	Description	Quantity	Unit
4	5.321-668.0	Handle	1	PC
30	7.343-069.0	Locking ring 25x1,2-1.4122 DIN 471	1	PC
12	2.880-001.0	Spare part set seals TR	1	PC

15 Hose assembly rotatable DN8 40MPa 15m (6.389-709.0)

POS	Article no.	Description	Quantity	Unit
1	2.880-990.0	Spare part set O-Ring 5x -Kaercher	1	PC

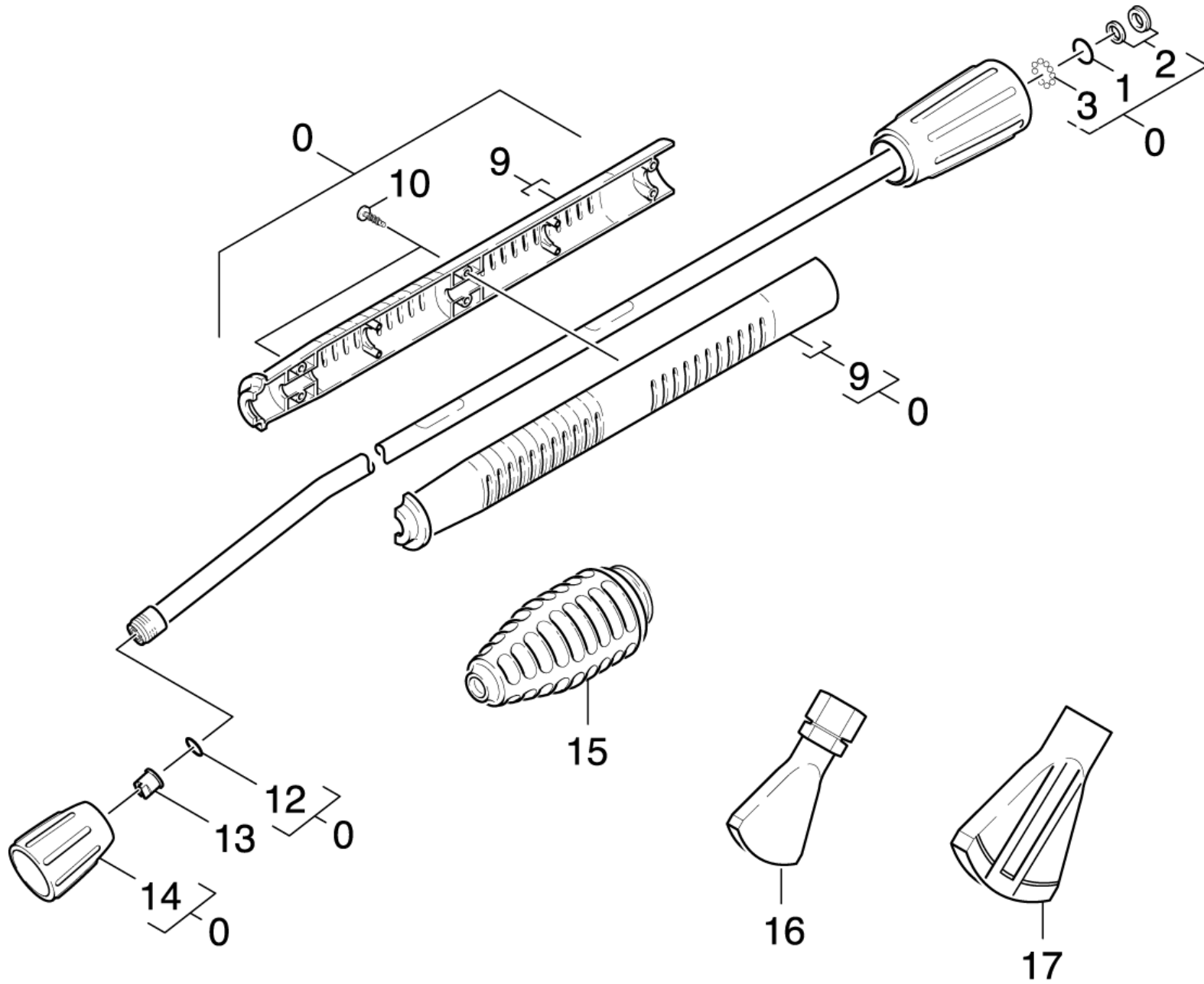


104 High pressure hose

POS	Article no.	Description	Quantity	Unit
1	6.391-354.0	Hose assembly only for replacement DN8 4	1	PC
	Item text1: 1.025-303.0			
1	6.389-709.0	Hose assembly rotatable DN8 40MPa 15m	1	PC
	Item text1: 1.025-306.0			
2	2.880-990.0	Spare part set O-Ring 5x -Kaercher	1	PC

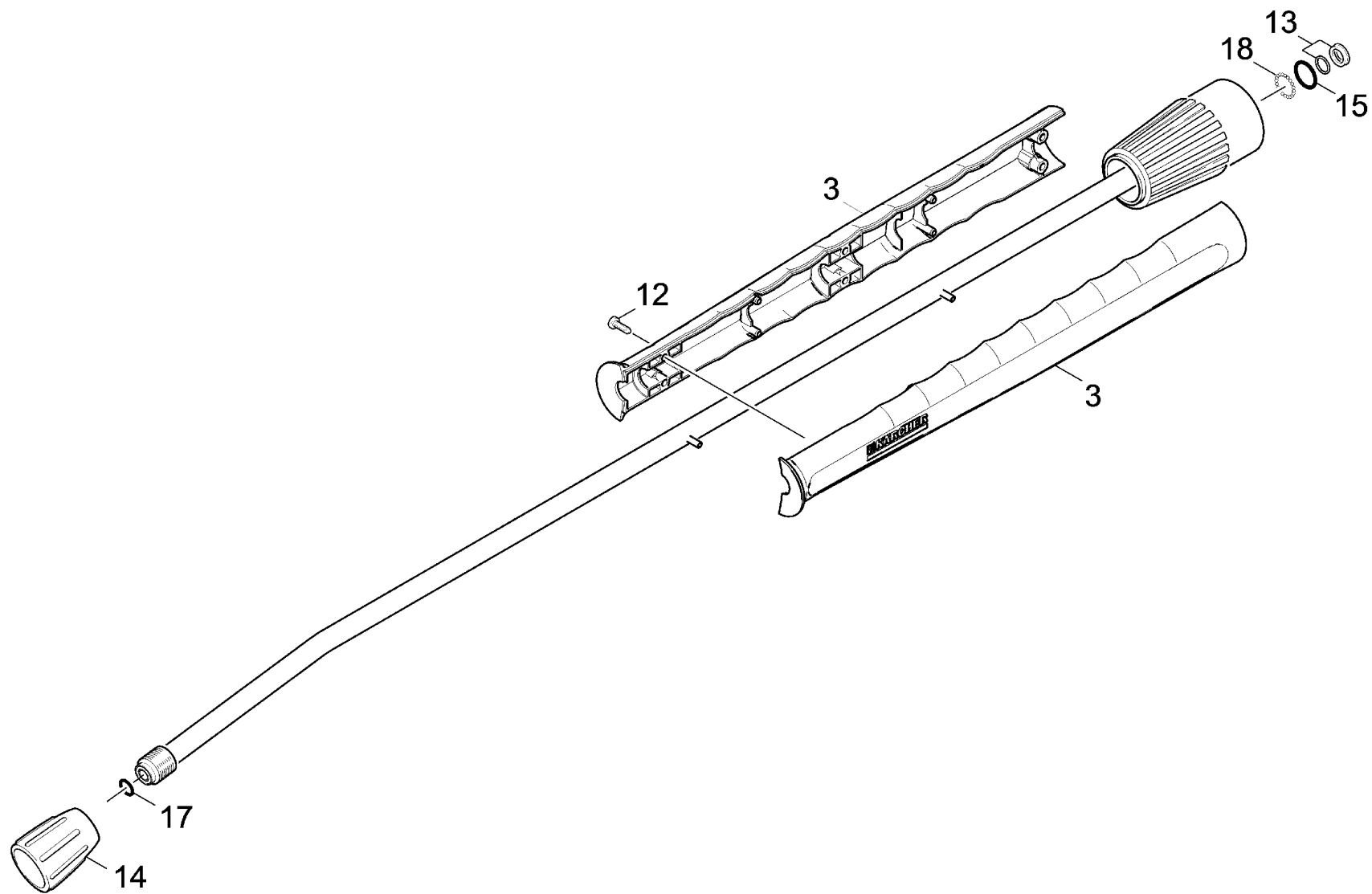
1 Hose assembly rotatable DN8 40MPa 15m (6.389-709.0)

POS	Article no.	Description	Quantity	Unit
1	2.880-990.0	Spare part set O-Ring 5x -Kaercher	1	PC



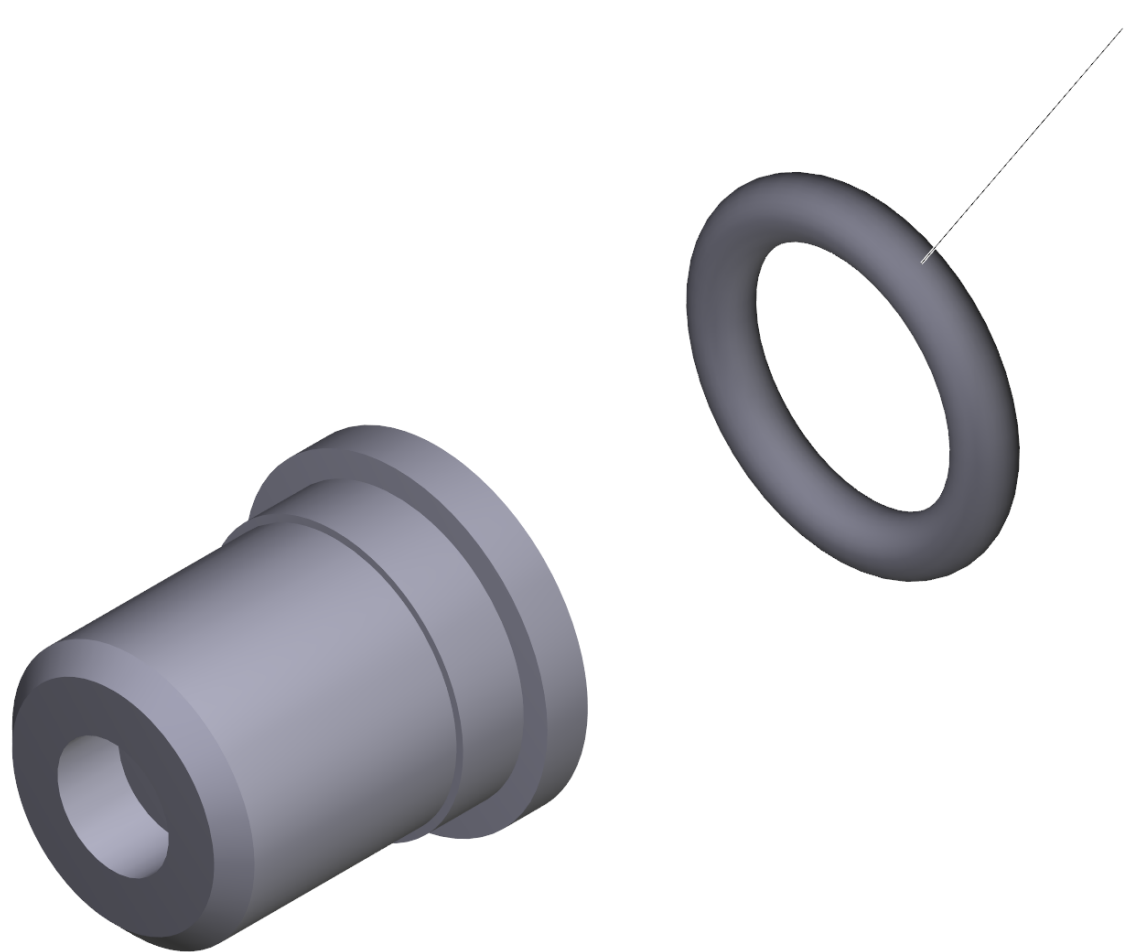
105 Jet pipe

POS	Article no.	Description	Quantity	Unit
15	4.763-253.0	Dirt blaster 05	1	PC
	Item text1: / 1.025-307.0			
2	4.363-692.0	Grooved ring kpl. -nur fuer Ersatz-	1	PC
9	5.322-083.3	Handhold few extended Low End	1	PC
0	4.760-660.0	Jet pipe packaged only for replacement	1	PC
12	2.880-154.0	O-Ring kit	1	PC
1	6.362-524.0	O-Ring seal 17,0 X 1,5	1	PC
10	6.303-199.0	Oval head screw 4,2x 16	6	PC
13	2.883-804.0	Power nozzle 25048	1	PC
	Item text1: / 1.025-308.0 / -309.0			
13	2.883-399.0	Power nozzle 25050	1	PC
	Item text1: / 1.025-301.0 / -302.0 / -303.0 / -305.0 / -306.0 / -307.0 / -321.0 / -322.0			
14	5.401-129.0	Screw connector part	1	PC
3	7.401-915.0	Sphere 2,5 G20 -1.4034 DIN 5401	20	PC
16	4.766-023.0	Steam nozzle flat	1	PC
	Item text1: / 1.025-307.0			
17	7.777-999.0	Stockpiling discontinued	1	PC
	Item text1: / 1.025-307.0			



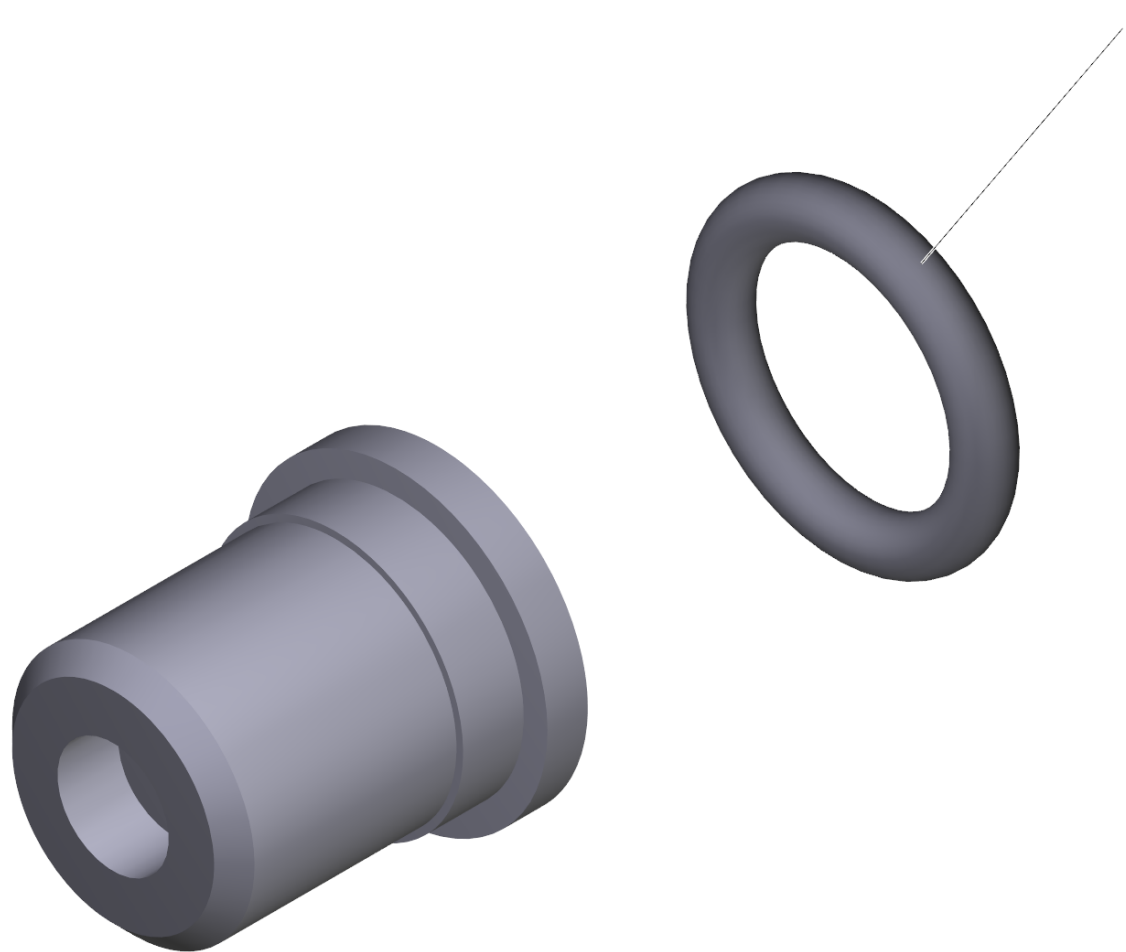
Jet pipe packaged only for replacement (4.760-660.0)

POS	Article no.	Description	Quantity	Unit
13	4.363-692.0	Grooved ring kpl. -nur fuer Ersatz-	1	PC
3	5.321-855.3	Handhold few jet pipe with welding bolt packed	1	PC
15	6.362-524.0	O-Ring seal 17,0 X 1,5	1	PC
12	7.303-129.0	Screw 4x16-10.9-R2R (K-In6Rd)	6	PC
14	5.401-210.0	Screw connector part	1	PC
17	2.880-990.0	Spare part set O-Ring 5x -Kaercher	1	PC
18	7.401-915.0	Sphere 2,5 G20 -1.4034 DIN 5401	1	PC



13 Power nozzle 25050 (2.883-399.0)

POS	Article no.	Description	Quantity	Unit
1	7.362-501.0	O-Ring seal 10x2 EPDM 70 DIN 3770	1	PC



13 Power nozzle 25048 (2.883-804.0)

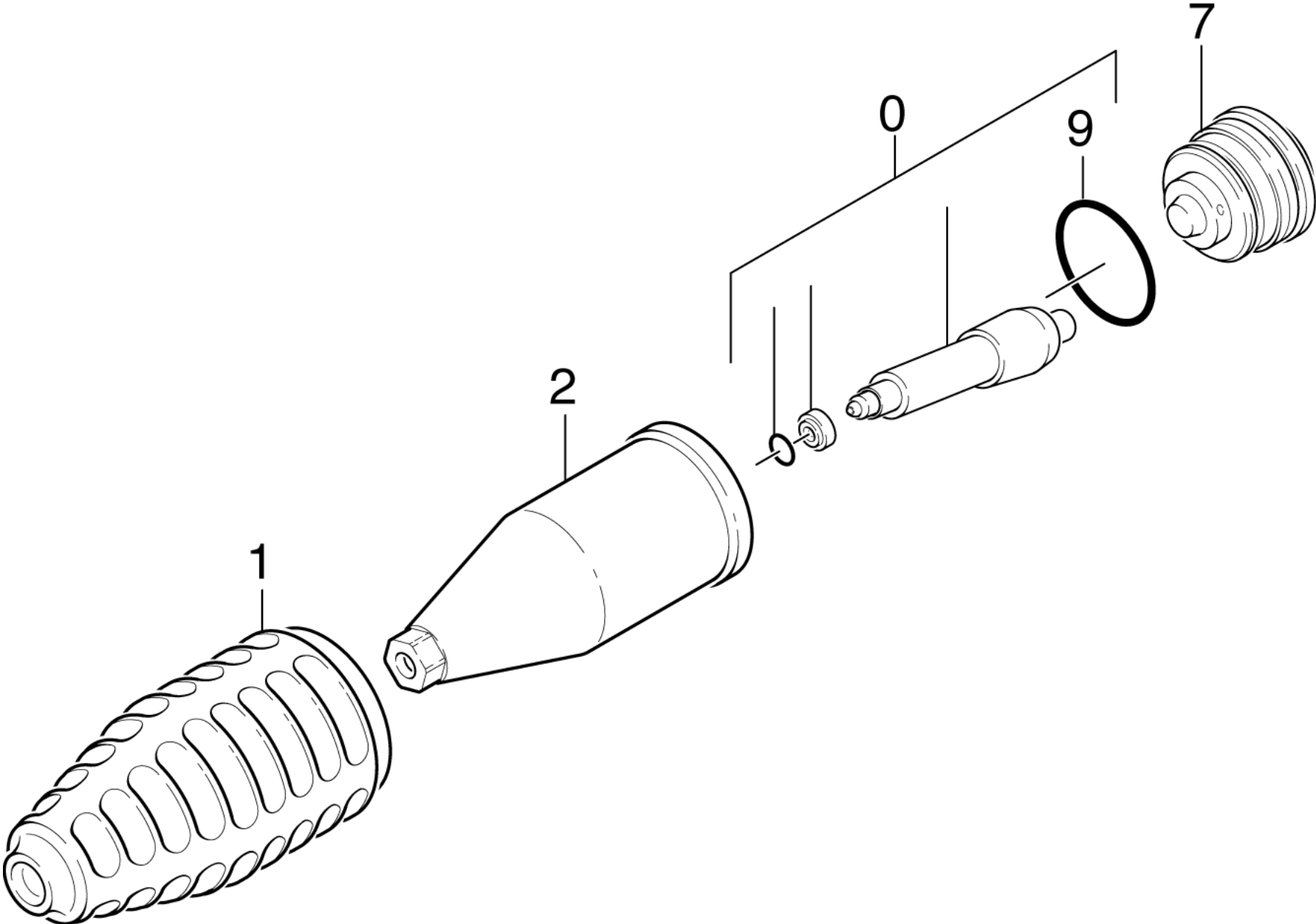
POS	Article no.	Description	Quantity	Unit
1	7.362-501.0	O-Ring seal 10x2 EPDM 70 DIN 3770	1	PC

15 Dirt blaster 05 (4.763-253.0)

POS	Article no.	Description	Quantity	Unit
11	5.955-641.0	Spare parts list dirt blaster	1	PC

11 Spare parts list dirt blaster (5.955-641.0)

POS	Description	Quantity	Unit
10	Dirt blaster	1	PC

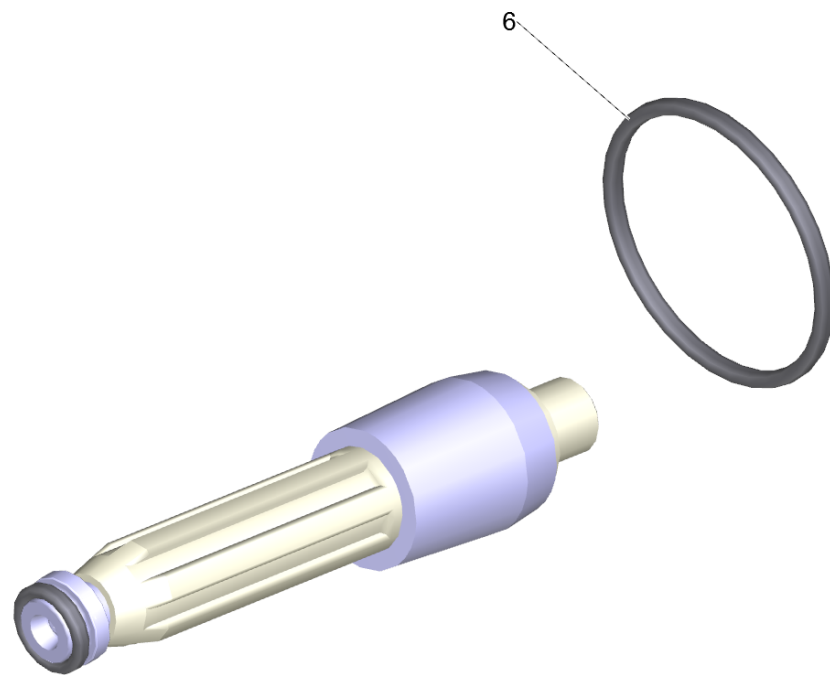


10 Dirt blaster

POS	Article no.	Description	Quantity	Unit	Remark
7	5.063-708.0	Cover	1	PC	
	Item text1: / 4.763-930.0				
7	5.063-709.0	Cover	1	PC	
	Item text1: / 4.763-931.0				
7	5.063-626.0	Cover DGR F 04	1	PC	4.763-252/-936
	Item text1: / 4.763-252.0				
7	5.063-647.0	Cover DGR F 05	1	PC	
	Item text1: / 4.763-253.0				
7	5.063-618.0	Cover DGR F 055/F 06	1	PC	4.763-250/-938
	Item text1: / 4.763-250.0				
7	5.063-648.0	Cover DGR F 70/F 08	1	PC	
	Item text1: / 4.763-254.0 / 4.767-076.0				
7		Cover high-pressure 20/15	1	PC	4.764-204.0
7	5.064-357.0	Cover high-pressure 25/15-4	1	PC	4.764-201.0 / 4.764-208.0
2	5.060-500.3	Housing	1	PC	
9	6.362-463.0	O-Ring seal 28,0 X 2,0-NBR 78	1	PC	
1	5.394-375.0	Protection part	1	PC	
0	2.884-052.0	Spare part set dirt blaster 035	1	PC	4.763-931.0
	Item text1: / 4.763-931.0				
0	2.883-471.0	Spare part set dirt blaster 04-HD 1050	1	PC	4.763-252.0
	Item text1: / 4.763-252.0				
0	2.884-113.0	Spare part set dirt blaster 045	1	PC	4.763-988.0
	Item text1: / 4.763-988.0				
0	2.883-472.0	Spare part set dirt blaster 05	1	PC	4.763-253.0
	Item text1: / 4.763-253.0				
0	2.883-473.0	Spare part set dirt blaster 055/06	1	PC	4.763-250.0
	Item text1: / 4.763-250.0				
0	2.884-114.0	Spare part set dirt blaster 065	1	PC	4.763-989.0
	Item text1: / 4.763-989.0				
0	2.883-474.0	Spare part set dirt blaster 07/08-HDS 8	1	PC	4.763-254.0
	Item text1: / 4.763-254.0				
0	2.884-316.0	Spare part set dirt blaster 09	1	PC	
	Item text1: / 4.767-076.0				

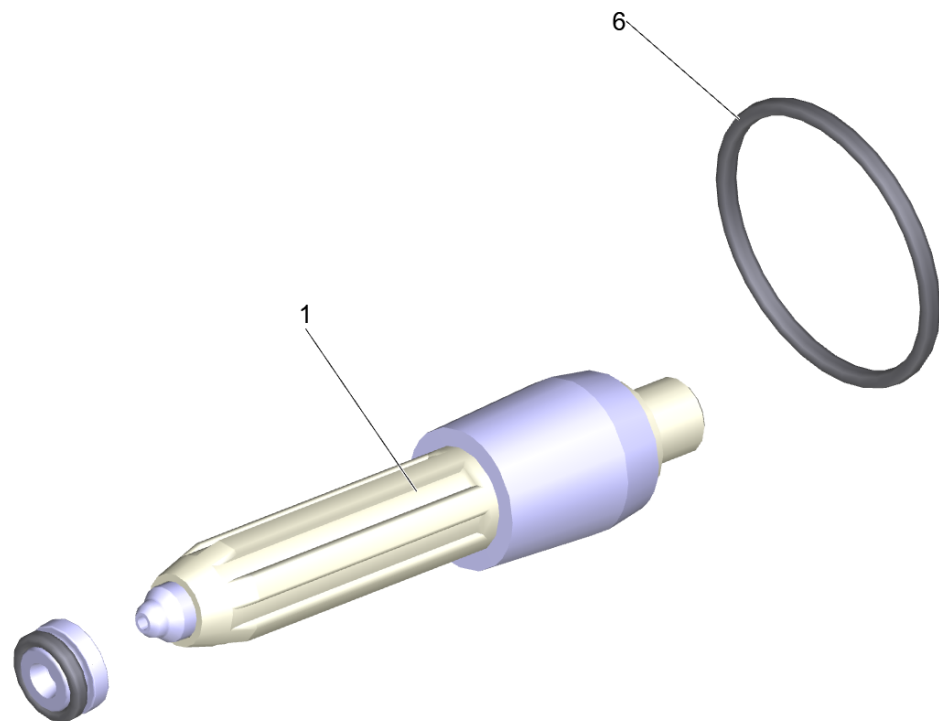
10 Dirt blaster

POS	Article no.	Description	Quantity	Unit	Remark
0	2.884-051.0	Spare part set dirt blaster 120	1	PC	4.763-930.0
	Item text1: / 4.763-930.0				
0		Spare part set rotor 125	1	PC	4.764-204.0
0	2.881-025.0	Spare part set rotor 170	1	PC	4.764-201.0
0	2.885-196.0	Spare parts set rotor 100	1	PC	4.764-208.0



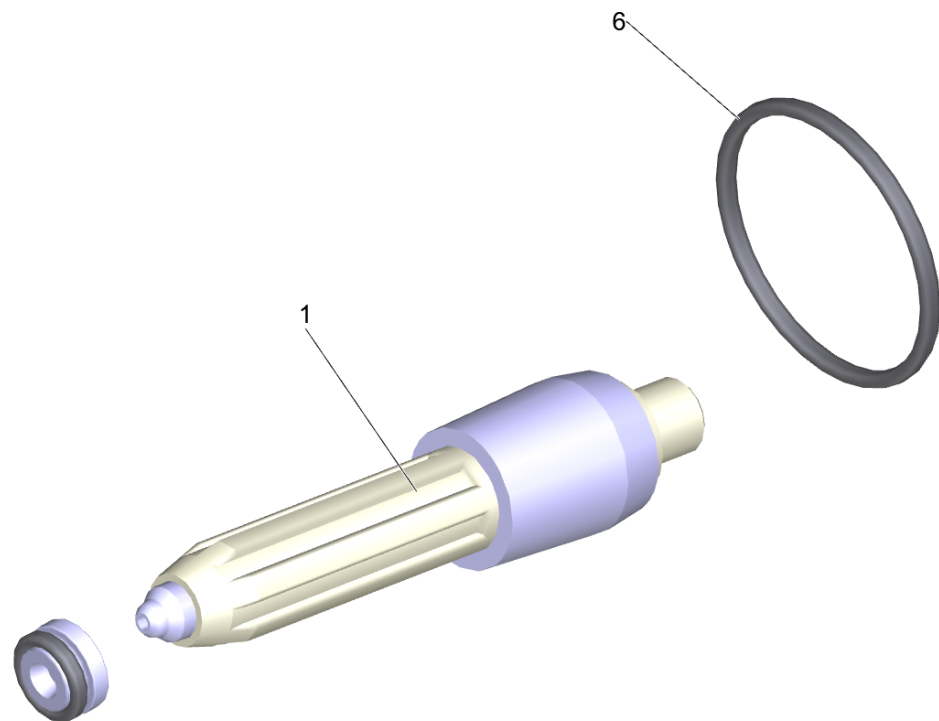
Spare part set rotor 170 (2.881-025.0)

POS	Article no.	Description	Quantity	Unit
6	6.362-463.0	O-Ring seal 28,0 X 2,0-NBR 78	1	PC



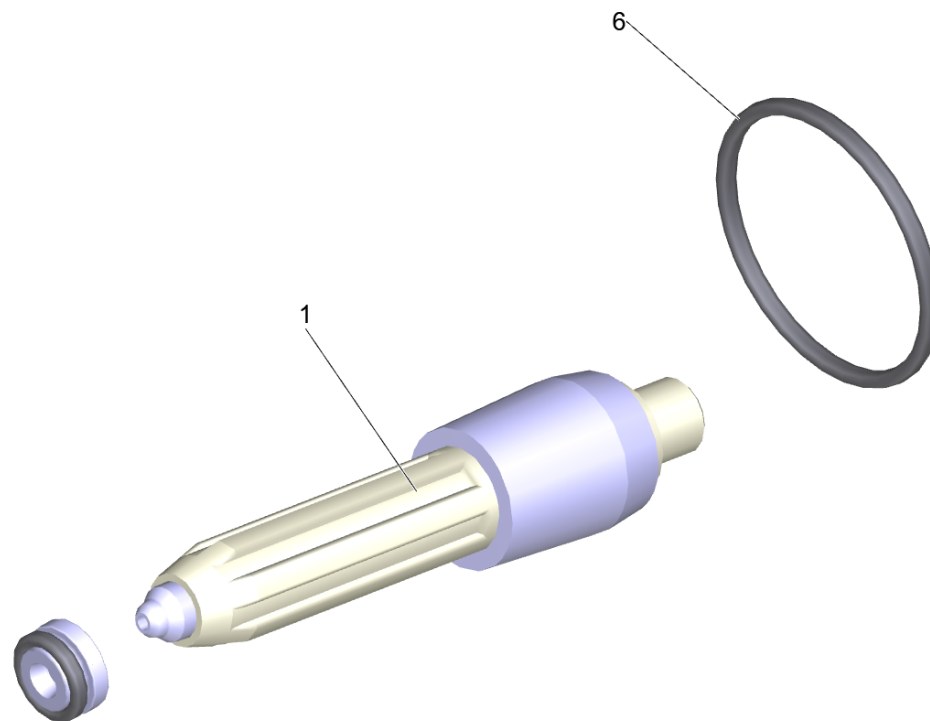
Spare part set dirt blaster 04-HD 1050 (2.883-471.0)

POS	Article no.	Description	Quantity	Unit
6	6.362-463.0	O-Ring seal 28,0 X 2,0-NBR 78	1	PC
1	4.762-122.0	Rotor complete 04	1	PC



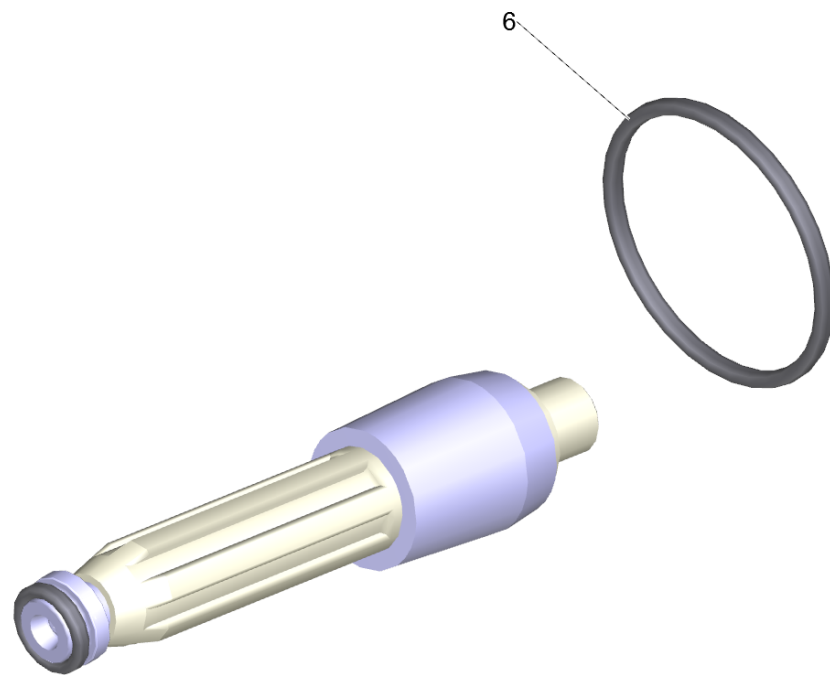
Spare part set dirt blaster 05 (2.883-472.0)

POS	Article no.	Description	Quantity	Unit
6	6.362-463.0	O-Ring seal 28,0 X 2,0-NBR 78	1	PC
1	4.762-123.0	Rotor complete 05	1	PC



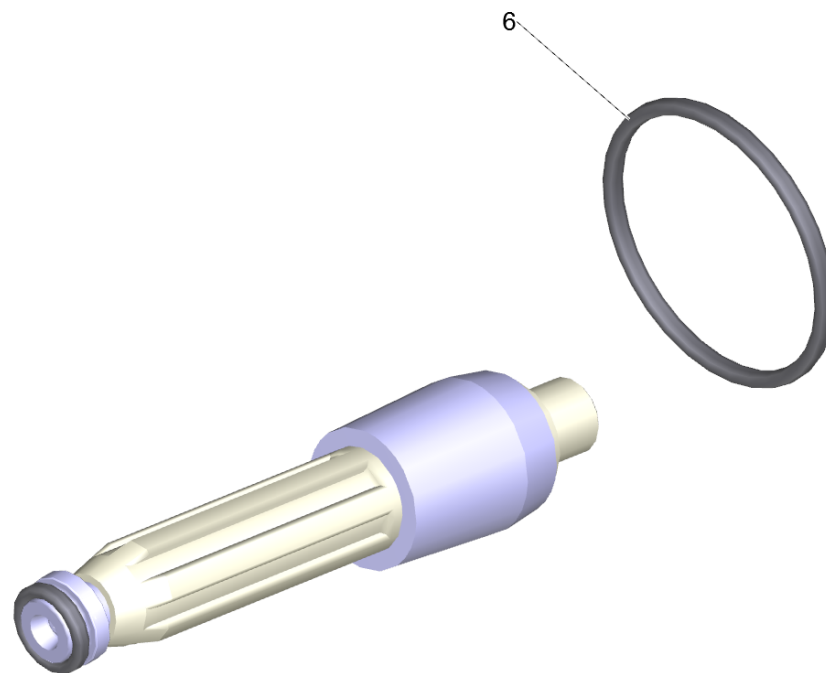
Spare part set dirt blaster 055/06 (2.883-473.0)

POS	Article no.	Description	Quantity	Unit
6	6.362-463.0	O-Ring seal 28,0 X 2,0-NBR 78	1	PC
1	4.762-124.0	Rotor complete 055/06	1	PC



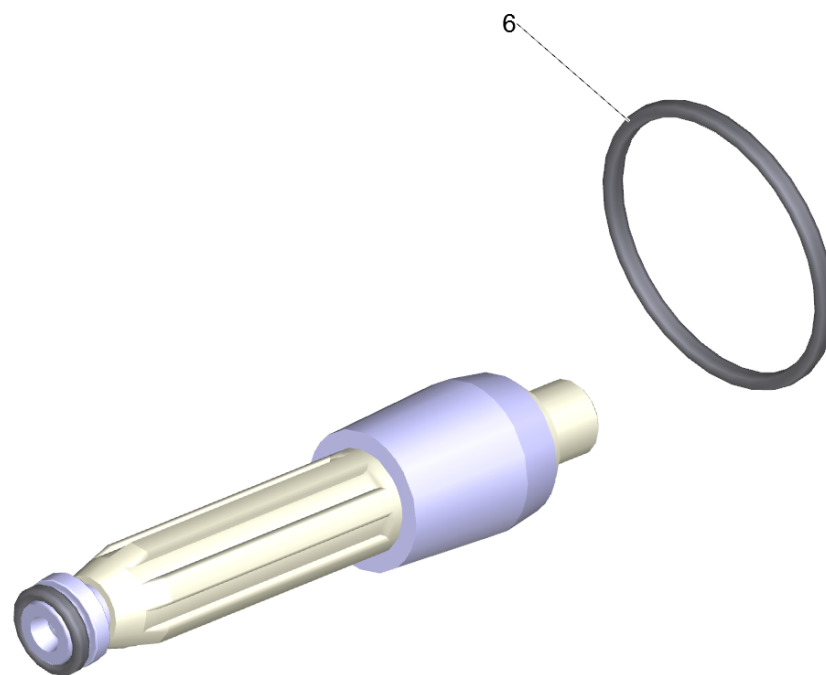
Spare part set dirt blaster 07/08-HDS 8 (2.883-474.0)

POS	Article no.	Description	Quantity	Unit
6	6.362-463.0	O-Ring seal 28,0 X 2,0-NBR 78	1	PC



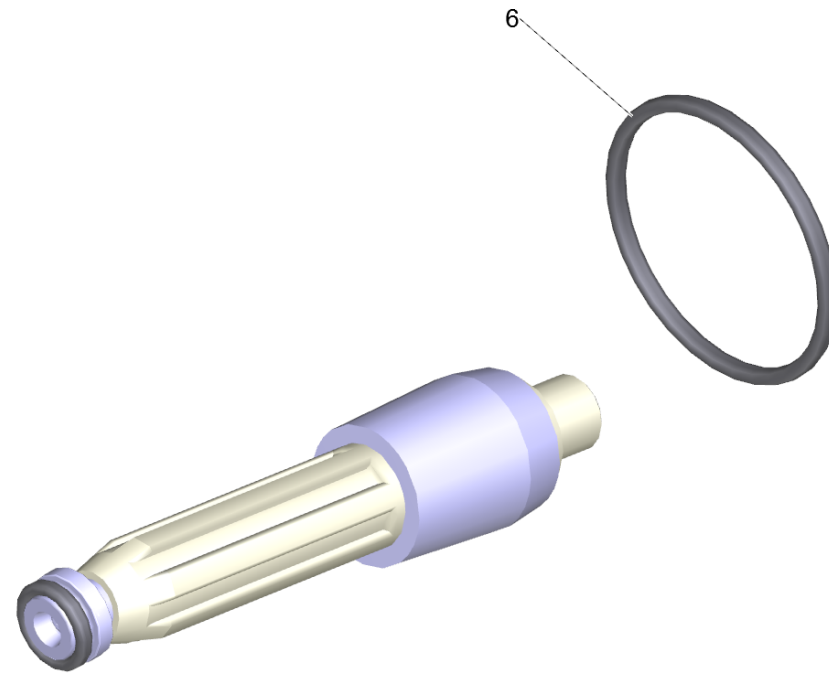
Spare part set dirt blaster 120 (2.884-051.0)

POS	Article no.	Description	Quantity	Unit
6	6.362-463.0	O-Ring seal 28,0 X 2,0-NBR 78	1	PC



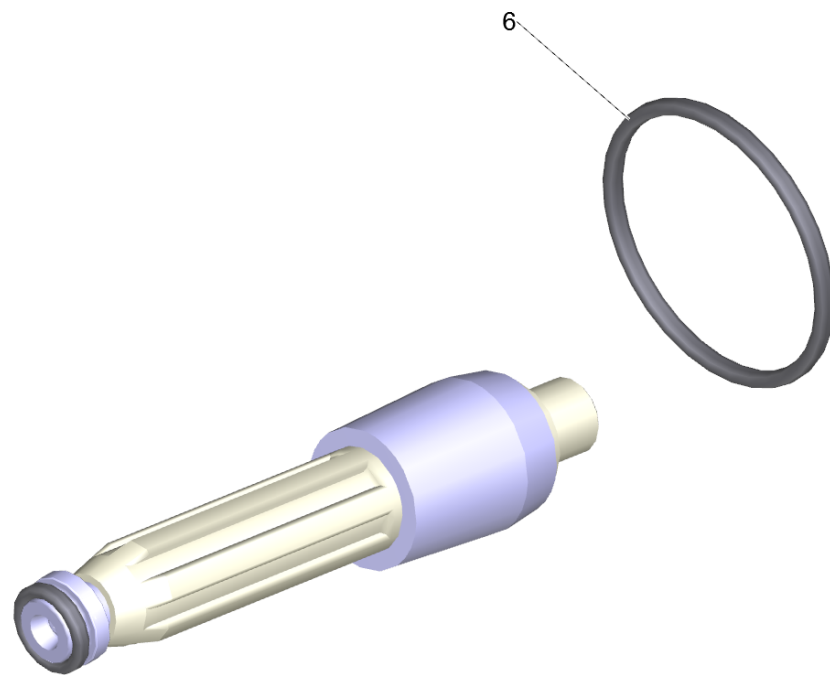
Spare part set dirt blaster 035 (2.884-052.0)

POS	Article no.	Description	Quantity	Unit
6	6.362-463.0	O-Ring seal 28,0 X 2,0-NBR 78	1	PC



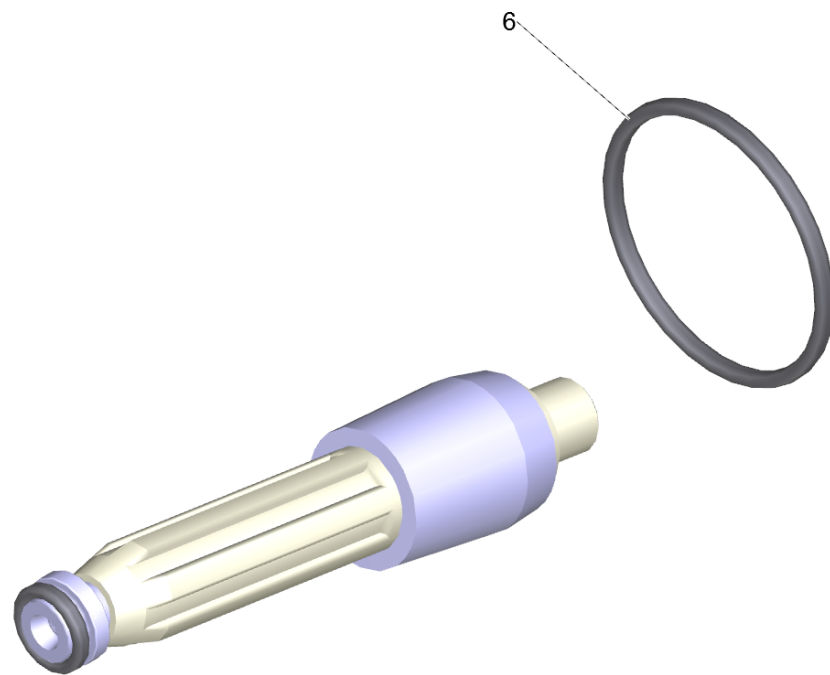
Spare part set dirt blaster 045 (2.884-113.0)

POS	Article no.	Description	Quantity	Unit
6	6.362-463.0	O-Ring seal 28,0 X 2,0-NBR 78	1	PC



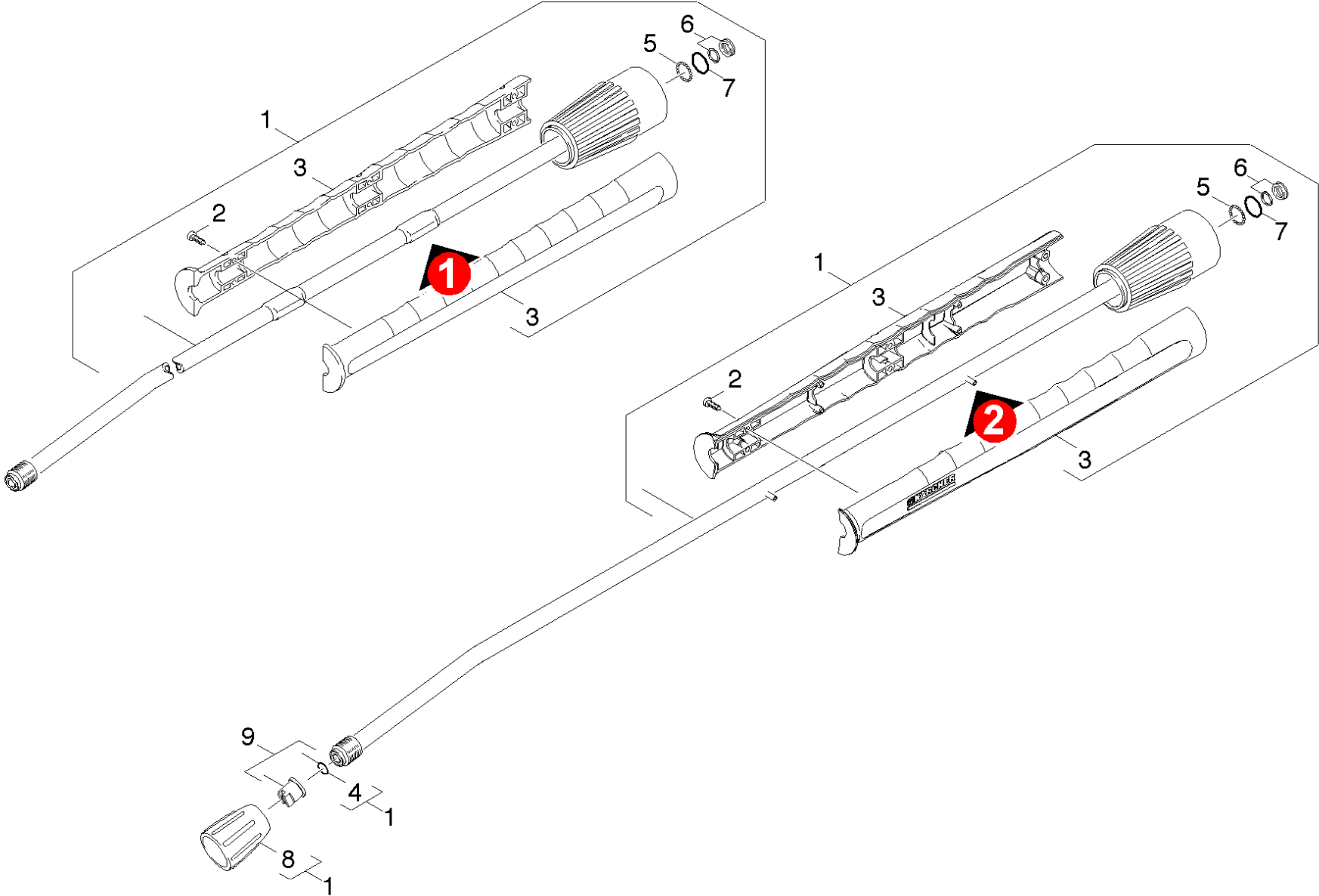
Spare part set dirt blaster 09 (2.884-316.0)

POS	Article no.	Description	Quantity	Unit
6	6.362-463.0	O-Ring seal 28,0 X 2,0-NBR 78	1	PC



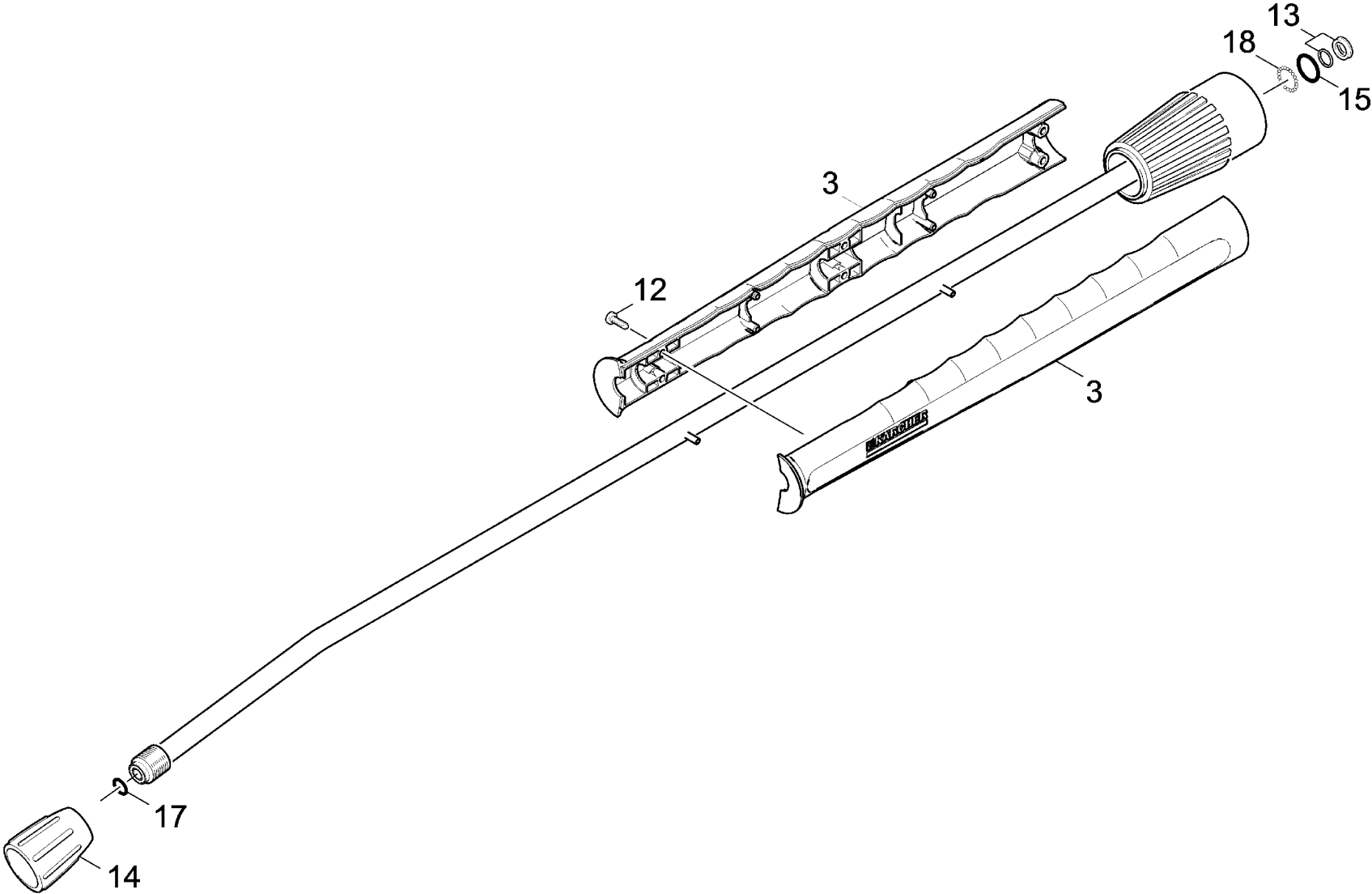
Spare parts set rotor 100 (2.885-196.0)

POS	Article no.	Description	Quantity	Unit
6	6.362-463.0	O-Ring seal 28,0 X 2,0-NBR 78	1	PC



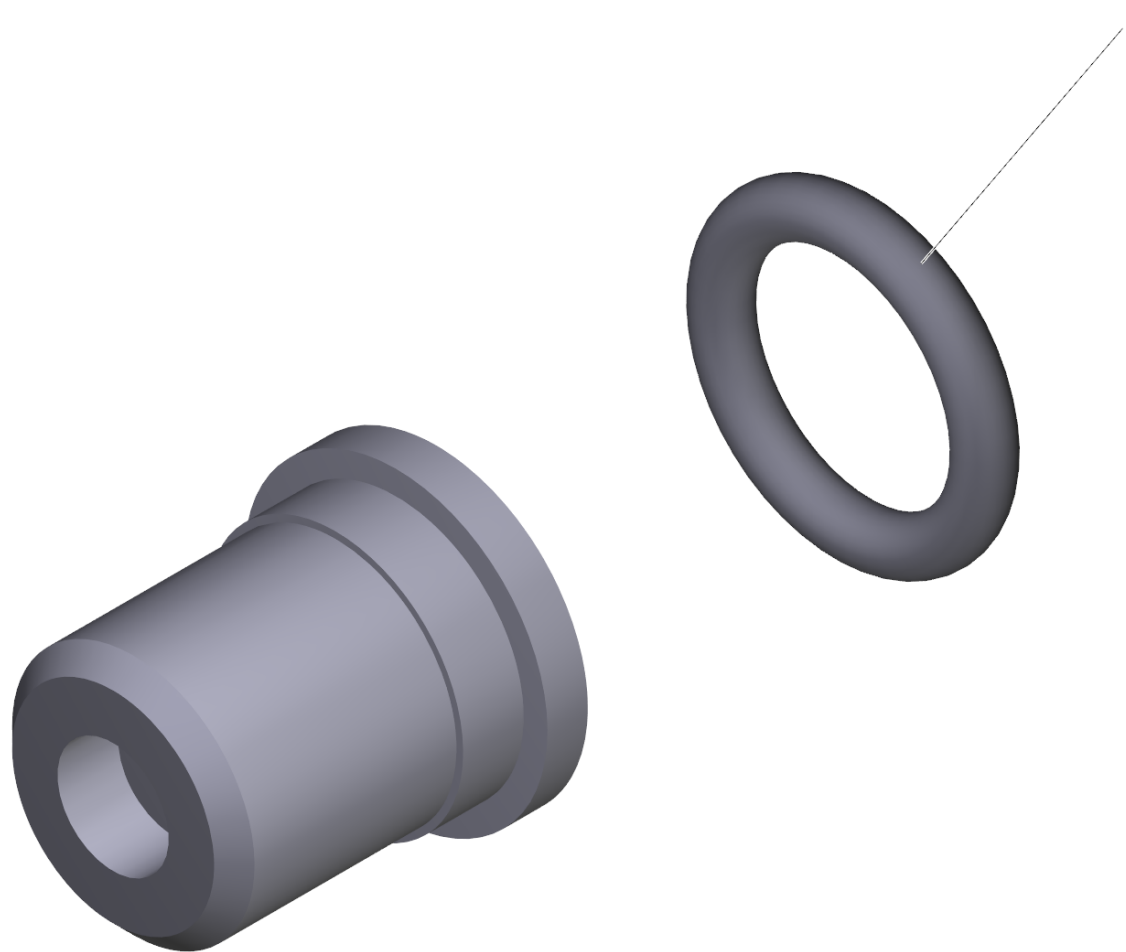
106 Jet pipe

POS	Article no.	Description	Quantity	Unit	Remark
6	4.363-692.0	Grooved ring kpl. -nur fuer Ersatz-	1	PC	
3	5.322-083.3	Handhold few extended Low End	1	PC	VERSION 1
3	5.321-855.3	Handhold few jet pipe with welding bolt packed	1	PC	VERSION 2
1	4.760-660.0	Jet pipe packaged only for replacement	1	PC	
7	6.362-524.0	O-Ring seal 17,0 X 1,5	1	PC	
9	2.883-804.0	Power nozzle 25048	1	PC	
	Item text1: / 1.025-308.0 / -309.0				
9	2.883-399.0	Power nozzle 25050	1	PC	
	Item text1: / 1.025-301.0 / -302.0 / -303.0 / -305.0 / -306.0 / -307.0 / -321.0 / -322.0				
2	7.303-129.0	Screw 4x16-10.9-R2R (K-In6Rd)	6	PC	
8	5.401-129.0	Screw connector part	1	PC	
4	2.880-990.0	Spare part set O-Ring 5x -Kaercher	1	PC	
5	7.401-915.0	Sphere 2,5 G20 -1.4034 DIN 5401	20	PC	
9	2.885-040.0	Steam nozzle 40060	1	PC	
	Item text1: 1.025-308.0 /-309.0				



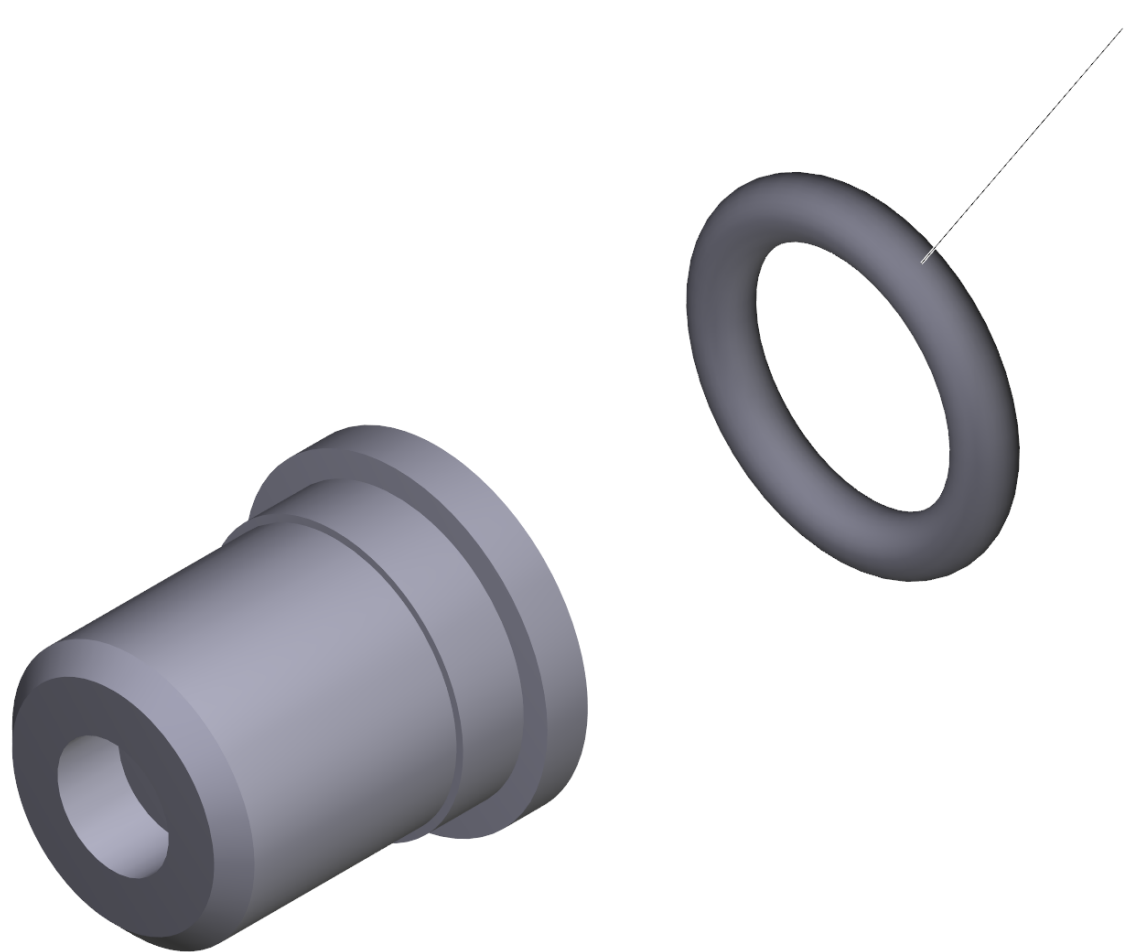
1 Jet pipe packaged only for replacement (4.760-660.0)

POS	Article no.	Description	Quantity	Unit
13	4.363-692.0	Grooved ring kpl. -nur fuer Ersatz-	1	PC
3	5.321-855.3	Handhold few jet pipe with welding bolt packed	1	PC
15	6.362-524.0	O-Ring seal 17,0 X 1,5	1	PC
12	7.303-129.0	Screw 4x16-10.9-R2R (K-In6Rd)	6	PC
14	5.401-210.0	Screw connector part	1	PC
17	2.880-990.0	Spare part set O-Ring 5x -Kaercher	1	PC
18	7.401-915.0	Sphere 2,5 G20 -1.4034 DIN 5401	1	PC



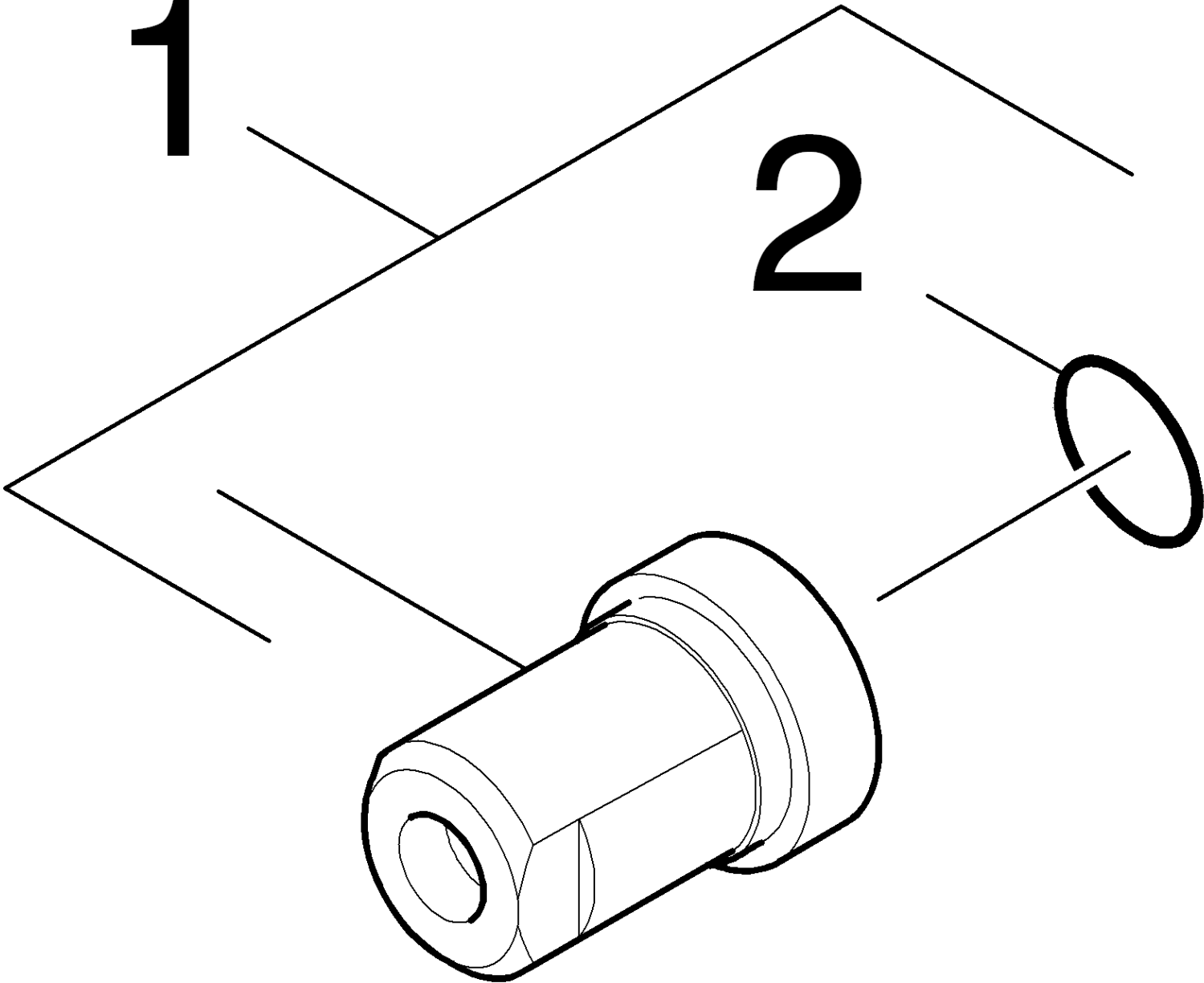
9 Power nozzle 25050 (2.883-399.0)

POS	Article no.	Description	Quantity	Unit
1	7.362-501.0	O-Ring seal 10x2 EPDM 70 DIN 3770	1	PC



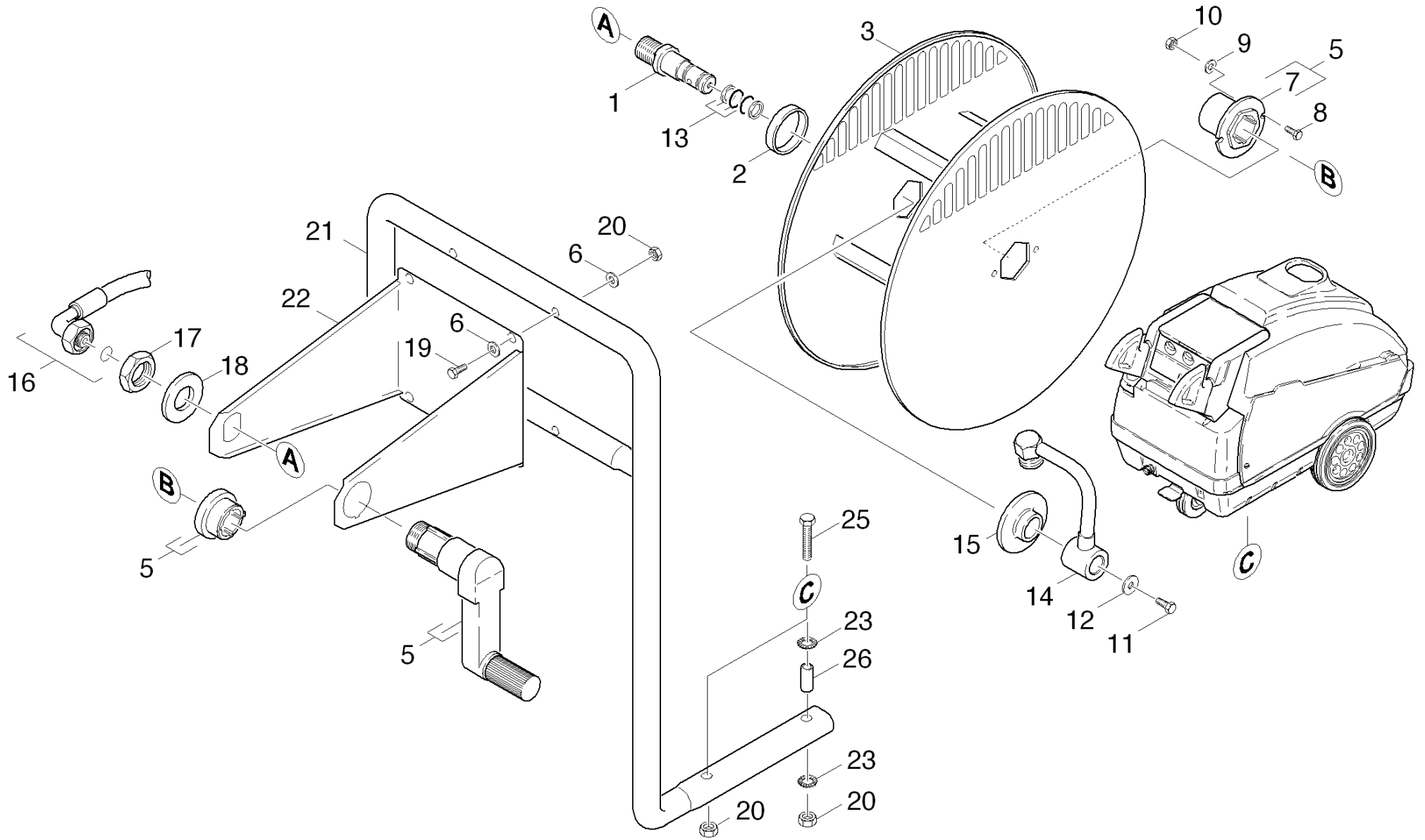
9 Power nozzle 25048 (2.883-804.0)

POS	Article no.	Description	Quantity	Unit
1	7.362-501.0	O-Ring seal 10x2 EPDM 70 DIN 3770	1	PC



107 Steam nozzle

POS	Article no.	Description	Quantity	Unit
2	7.362-501.0	O-Ring seal 10x2 EPDM 70 DIN 3770	1	PC
1	2.885-040.0	Steam nozzle 40060	1	PC

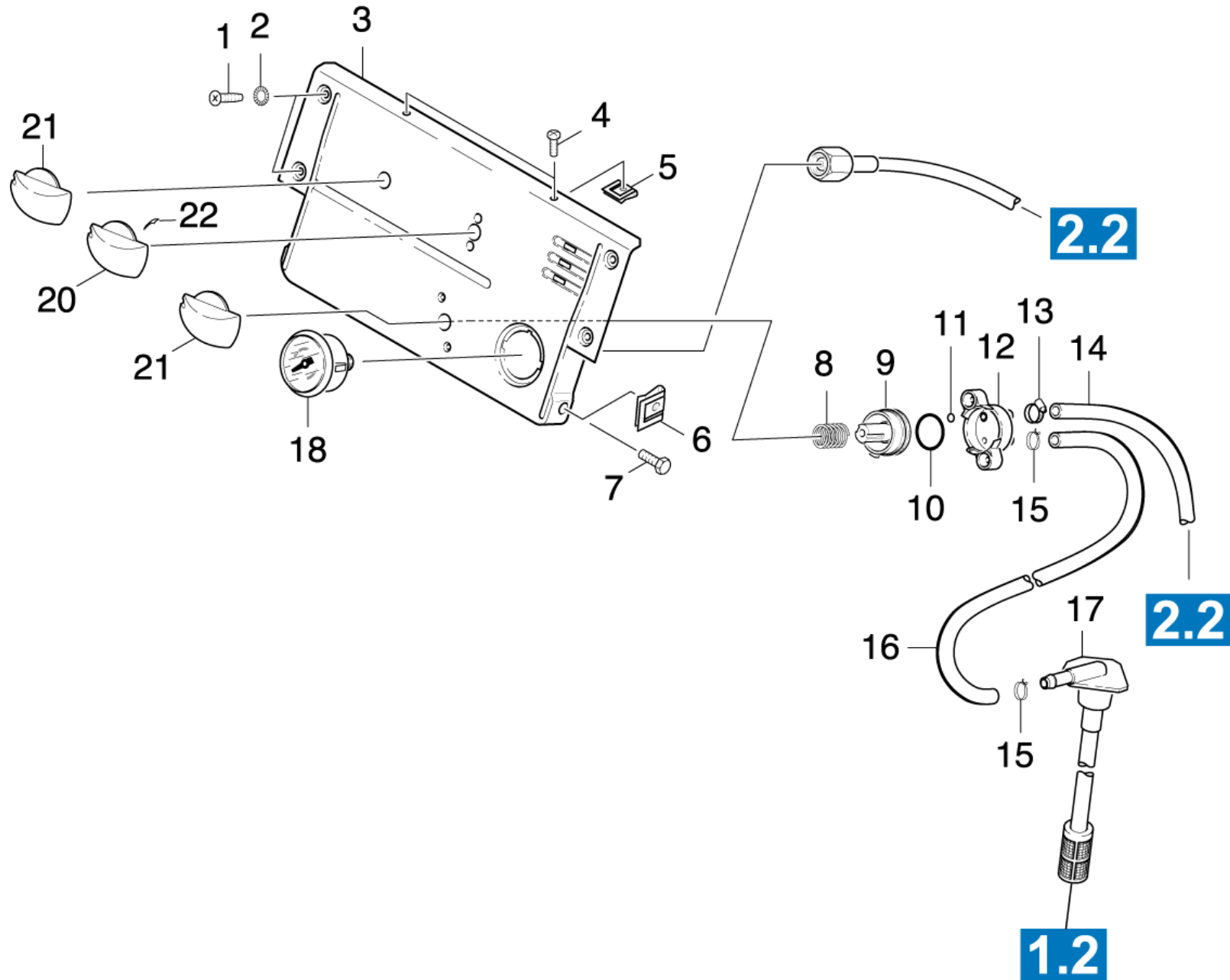


108 Hose reel

POS	Article no.	Description	Quantity	Unit
7	5.112-304.0	Bush	1	PC
	Item text1: / 1.025-309.0 / -321.0 / -322.0			
15	5.112-305.0	Bush	1	PC
	Item text1: / 1.025-309.0 / -321.0 / -322.0			
24	7.306-043.0	Cylinder head screw M8x30 -8.8-A2E ISO	2	PC
	Item text1: / 1.025-309.0 / -321.0 / -322.0			
19	7.306-114.0	Cylinder head screw M 8x40-A2-70 ISO 47	4	PC
	Item text1: / 1.025-309.0 / -321.0 / -322.0			
11	7.304-540.0	Hexagonal head screw M 6x8-A4-70 ISO 40	1	PC
	Item text1: / 1.025-309.0 / -321.0 / -322.0			
25	7.304-401.0	Hexagonal head screw M8x60-8.8-A2E ISO 4017	4	PC
	Item text1: / 1.025-309.0 / -321.0 / -322.0			
10	7.311-001.0	Hexagon nut M4 -6-A2E ISO 4032	2	PC
	Item text1: / 1.025-309.0 / -321.0 / -322.0			
20	7.311-004.0	Hexagon nut M8 -8-A3E ISO 4032	8	PC
	Item text1: / 1.025-309.0 / -321.0 / -322.0			
17	7.311-155.0	Hexagon nut M22x1,5 -Cu2 DIN 936	1	PC
	Item text1: / 1.025-309.0 / -321.0 / -322.0			
16	6.390-123.0	Hose assembly DN8 40MPa 0,6m	1	PC
	Item text1: / 1.025-309.0 / -321.0 / -322.0			
3	4.204-504.0	Hose reel	1	PC
	Item text1: / 1.025-309.0 / -321.0 / -322.0			
13	4.363-693.0	O-Ring seal kpl. -nur fuer Ersatz-	2	PC
	Item text1: / 1.025-309.0 / -321.0 / -322.0			
1	5.108-098.0	Pin	1	PC
	Item text1: / 1.025-309.0 / -321.0 / -322.0			
8	7.306-058.0	Screw M 4X 12- 8.8-R2R K-IN6RD	2	PC
	Item text1: / 1.025-309.0 / -321.0 / -322.0			
22	5.046-485.0	Sheet metal component	1	PC
	Item text1: / 1.025-309.0 / -321.0 / -322.0			
2	5.110-340.0	Sleeve	1	PC
	Item text1: / 1.025-309.0 / -321.0 / -322.0			
5	2.884-318.0	Spare part set hose reel	1	PC

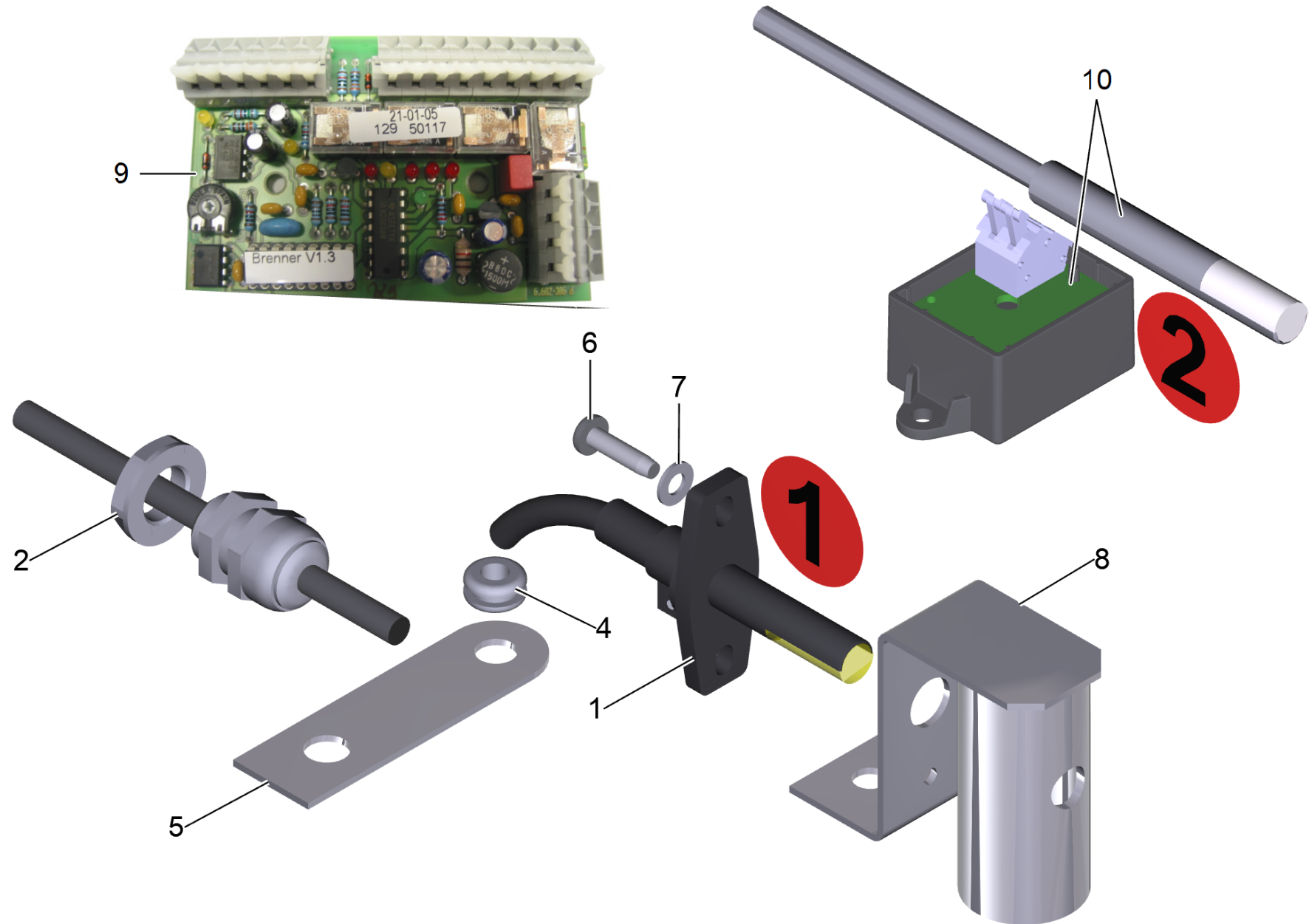
108 Hose reel

POS	Article no.	Description	Quantity	Unit
21	7.777-999.0	Stockpiling discontinued	1	PC
	Item text1: / 1.025-309.0 / -321.0 / -322.0			
26	7.777-999.0	Stockpiling discontinued	4	PC
	Item text1: / 1.025-309.0 / -321.0 / -322.0			
23	7.312-166.0	Toothed lock washer A8,4-FSt-A3E DIN 6797	4	PC
	Item text1: / 1.025-309.0 / -321.0 / -322.0			
14	4.408-044.0	Tube elbow	1	PC
	Item text1: / 1.025-309.0 / -321.0 / -322.0			
9	7.312-001.0	Washer 4 -200HV-A2K ISO 7089	2	PC
	Item text1: / 1.025-309.0 / -321.0 / -322.0			
12	7.312-260.0	Washer 6-100HV-A3E ISO 7094	1	PC
	Item text1: / 1.025-309.0 / -321.0 / -322.0			
6	7.312-004.0	Washer 8 -200HV-A3E ISO 7089	8	PC
	Item text1: / 1.025-309.0 / -321.0 / -322.0			
18	7.312-024.0	Washer 22-200HV-A2K ISO 7090	1	PC
	Item text1: / 1.025-309.0 / -321.0 / -322.0			



110 Control panel

POS	Article no.	Description	Quantity	Unit	Foot note text
3	5.841-463.0	Control panel	1	PC	
17	6.414-028.0	Filter	1	PC	
21	5.321-633.0	Handhold	2	PC	
20	5.321-641.0	Handhold thermostat	1	PC	
8	5.332-474.0	Helical spring	1	PC	
7	7.304-382.0	Hexagonal head screw M 6x12-8.8-A2E ISO	2	PC	
13	6.388-515.0	Hose clip	1	PC	
15	6.388-559.0	Hose clip	2	PC	
14	6.388-194.0	Hose DN 7	1	m	TO ORDER AS CUT GOODS
16	6.388-225.0	Hose DN 7	1	m	TO ORDER AS CUT GOODS
11	6.362-386.0	O-Ring seal 5,0 x 1,5-NBR 80	1	PC	
10	6.362-712.0	O-Ring seal 25,3 X 2,4	1	PC	
18	6.421-170.0	Pressure gauge 0-315 BAR	1	PC	
6	6.310-082.0	Putting nut M6	2	PC	
1	6.303-192.0	Screw M5x12 TX TAPTITE2000	4	PC	
4	7.303-078.0	Sheet metal screw ST4,8X19-ST-P2R (In6Rd)	2	PC	
5	6.310-034.0	Speed nut	2	PC	
22	6.313-014.0	Spring element	1	PC	
2	7.312-172.0	Toothed lock washer A5,3-FSt-A3E DIN 6797	4	PC	
12	5.587-054.0	Valve housing	1	PC	
9	5.581-251.0	Valve seat	1	PC	



120 Flame guard

POS	Article no.	Description	Quantity	Unit
3	6.648-422.0	Blind plug grey M12X1,5	1	PC
2	6.641-208.0	Cable gland M12x1,5 PA	1	PC
9	6.682-306.0	Circuit board burner	1	PC
	Item text1: / 1.174-113.0			
5	5.042-833.0	Holder	1	PC
	Item text1: / 1.174-113.0			
8	4.043-246.0	Holder	1	PC
6	7.303-033.0	Screw M4x16-ST-P2R (KOMBI-IN6RD	2	PC
10	4.101-032.0	Spare parts set flame sensor 32V	1	PC
1	7.777-999.0	Stockpiling discontinued	1	PC
7	7.312-001.0	Washer 4 -200HV-A2K ISO 7089	2	PC
	Item text1: / 1.174-113.0			
4	6.641-638.0	Wire protecting sleeve	1	PC
	Item text1: / 1.174-113.0			

10 Spare parts set flame sensor 32V (4.101-032.0)

POS	Article no.	Description	Quantity	Unit
2	6.664-003.0	Flame sensor	1	PC
1		Photo Sensor interface 32V	1	PC