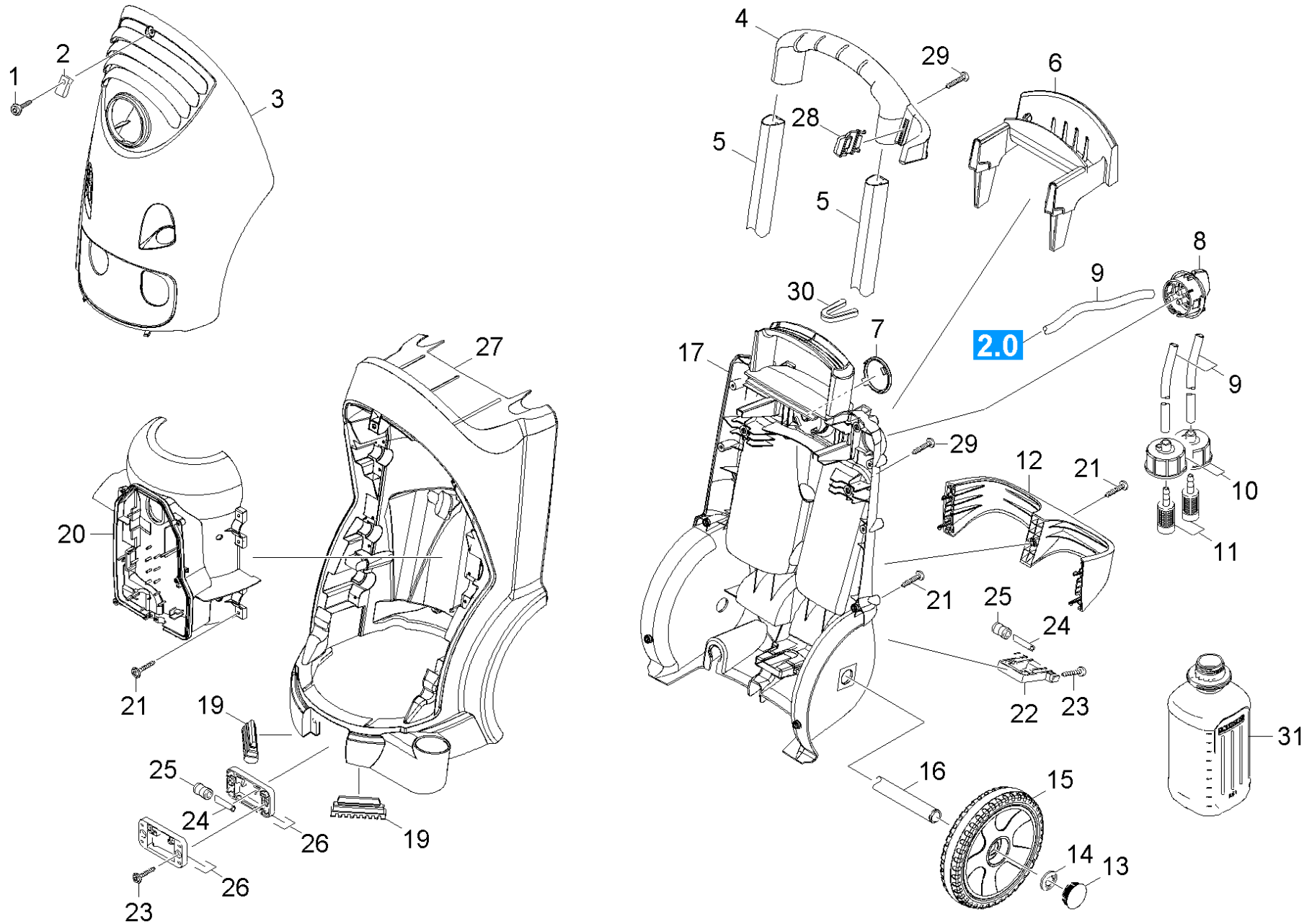


11 Housing

Professional \ High pressure cleaner cold water \ Electric motor \ HD 9/19 MX Plus *EU-I \ Spare parts list high-pressure 9/19 \ Housing \ Housing



11 Housing

Professional \ High pressure cleaner cold water \ Electric motor \ HD 9/19 MX Plus *EU-I \ Spare parts list high-pressure 9/19 \ Housing \ Housing



POS	Article no.	Description	Quantity	Unit	Foot note text
1	6.304-099.0	Saucer-head screw M 6x 18-4.8-R2R	1.000	ST	
2	6.310-053.0	Putting nut	1.000	ST	
3	5.069-413.3	Device cover basalt grey only for replac	1.000	ST	
4	5.321-751.0	Handhold	1.000	ST	
5	5.107-262.0	Bar	2.000	ST	
6	5.044-735.0	Holder	1.000	ST	
7	5.032-475.0	Covering cap cover	1.000	ST	
8	4.580-645.0	Proportioning valve chemistry	1.000	ST	
9	6.388-216.0	Hose DN 5	1.000	M	TO ORDER AS CUT GOODS
10	4.060-866.0	Cover cleaning agents complete	2.000	ST	
11	5.731-652.0	Filter with weight	2.000	ST	
12	5.032-747.0	Retaining bracket	1.000	ST	
13	2.889-086.0	Set wheel cap	1.000	ST	SET OF 2 PIECES
14	6.343-217.0	Clamping washer D25	2.000	ST	
15	4.515-320.0	Wheel complete	1.000	ST	SET OF 2 PIECES
16	5.105-413.0	Axle	1.000	ST	
17	5.050-431.0	Frame rear panel	1.000	ST	
19	5.057-062.0	Support	2.000	ST	
20	5.692-075.0	Air circulation	1.000	ST	
21	7.303-108.0	Screw 5x20 -10.9-R2R (In6Rd)	19.000	ST	
22	5.044-647.0	Holder roller rear	1.000	ST	
23	7.303-110.0	Screw 5x35 -10.9-R2R (In6Rd)	4.000	ST	
24	5.128-511.0	Axle	4.000	ST	
25	5.515-191.0	Roller	4.000	ST	
26	5.044-646.0	Holder roller front	1.000	ST	
27	5.050-252.0	Frame front part	1.000	ST	
28	5.044-216.0	Holder	1.000	ST	
29	7.303-048.0	Screw M6x20 -St-R3R (In6Rd)	8.000	ST	
30	5.032-782.0	Moulded part	1.000	ST	
31	6.394-491.0	Bottle PE 2,5 L	2.000	ZST	