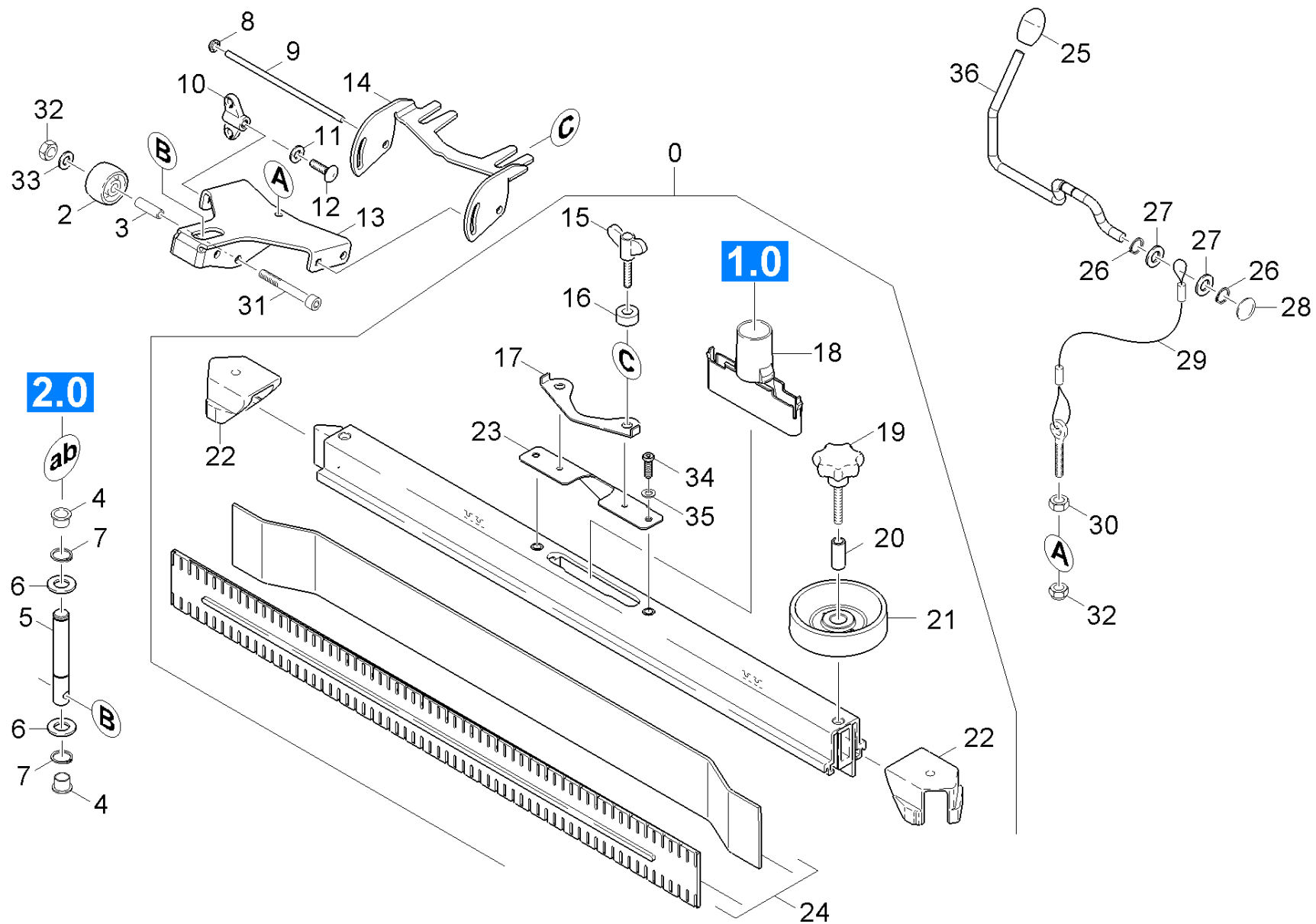


62 Suction bar

Overview technical documents/Professional/Floor cleaner/Walk behind/BR 40/25 C Bp *EU (1.515-202.0)/Spare parts list BR/BD 40/25 C/60 Suction mechanism/62 Suction bar



62 Suction bar

Overview technical documents/Professional/Floor cleaner/Walk behind/BR 40/25 C Bp *EU (1.515-202.0)/Spare parts list BR/BD 40/25 C/60 Suction mechanism/62 Suction bar

Rez.daļas/nodil.pakļ.daļas	Poz.	Materiāla Nr.	Nosaukums	Daudzums	Pārdoš. vienība	no sēr. Nr..	līdz sēr. Nr.
X-X	0	4.777-300.0	Suction bar 770AB oLR	1.000	ST	0000000000	0000000000
X-X	2	5.435-004.0	Roller D40	1.000	ST	0000000000	0000000000
X-X	3	5.112-633.0	Bush	1.000	ST	0000000000	0000000000
X-X	4	6.437-484.0	Bearing bush	2.000	ST	0000000000	0000000000
	5	5.317-130.0	Bolt suction bar	1.000	ST	0000000000	0000000000
X	6	7.312-057.0	washer	2.000	ST	0000000000	0000000000
	7	7.343-306.0	Lock washer 12-St-A2E DIN 6799	1.000	ST	0000000000	0000000000
X-X	8	6.343-132.0	Lock washer 8	2.000	ST	0000000000	0000000000
X-X	9	5.107-202.0	Bar	1.000	ST	0000000000	0000000000
X-X	10	6.310-180.0	wing nut	1.000	ST	0000000000	0000000000
X-X	11	7.312-292.0	Washer	1.000	ST	0000000000	0000000000
X-X	12	7.303-139.0	Saucer-head screw M6x20 -A2 DIN 603	1.000	ST	0000000000	0000000000
	13	2.882-673.0	Conversion kit suction beam retraction s	1.000	ST	0000000000	0000000000
X-X	14	5.058-987.0	Rocker suction bar	1.000	ST	0000000000	0000000000
X-X	15	5.305-296.0	Spārnu skrūve M8 x 40 VA	2.000	ST		
X-X	16	5.112-810.0	Sleeve	2.000	ST		
X-X	17	5.007-217.0	Baffle plate	1.000	ST	0000000000	0000000000
X-X	18	5.033-601.0	Suction nipple	1.000	ST	0000000000	0000000000
X-X	19	6.321-239.0	Sēņveida rokturis A Ø 50x43	2.000	ST		
X-X	20	5.094-231.0	Uzmava iesūkšanas latai	2.000	ST		
X-X	21	5.515-267.0	Ies. rullītis iesūkšanas latai	2.000	ST	0000000000	0000000000
X-X	22	2.885-294.0	End piece left/right part	1.000	ST	0000000000	0000000000
X-X	23	5.100-559.0	Suction bar support plate	1.000	ST		
X-X	24	6.273-262.0	Gumijas latai - eļļizturīgas	1.000	ZSA	0000000000	0000000000
X-X	24	6.273-253.0	Gumijas mēlišu komplekts, standarta	1.000	ZSA	0000000000	0000000000

62 Suction bar

Overview technical documents/Professional/Floor cleaner/Walk behind/BR 40/25 C Bp *EU (1.515-202.0)/Spare parts list BR/BD 40/25 C/60 Suction mechanism/62 Suction bar

Rez.daļas/nodil.pakļ.daļas	Poz.	Materiāla Nr.	Nosaukums	Daudzums	Pārdoš. vienība	no sēr. Nr..	līdz sēr. Nr.
X-X	24	6.273-254.0	Gumijas mēlīšu komplekts, eļļizturīgas	1.000	ZSA	0000000000	0000000000
	25	6.321-185.0	Push button	1.000	ST	0000000000	0000000000
X-X	26	7.343-205.0	Sprostpaplāksne 9-St-A2E DIN 6799	2.000	ST	0000000000	0000000000
X-X	27	7.312-005.0	Paplāksne 10-200HV-A3E ISO 7090	2.000	ST	0000000000	0000000000
X-X	28	6.343-191.0	Ātrais savienotājs	1.000	ST	0000000000	0000000000
X-X	29	4.172-024.0	Rope complete	1.000	ST	0000000000	0000000000
X-X	30	7.311-224.0	Hexagon nut M 8-04-A2E ISO 4035	1.000	ST	0000000000	0000000000
X-X	31	7.306-222.0	Cylinder head screw M8x55 -A4-70 ISO 47	2.000	ST	0000000000	0000000000
X-X	32	7.311-427.0	Hexagon nut M8 -04-A2E ISO 10511	3.000	ST	0000000000	0000000000
X-X	33	7.312-017.0	wascher	2.000	ST	0000000000	0000000000
	34	7.306-221.0	Screw M 8x25-A2-70 DIN 7984	2.000	ST		
X-X	35	7.312-017.0	wascher	2.000	ST		
	36	5.034-735.0	Retaining bracket suction bar	1.000	ST		