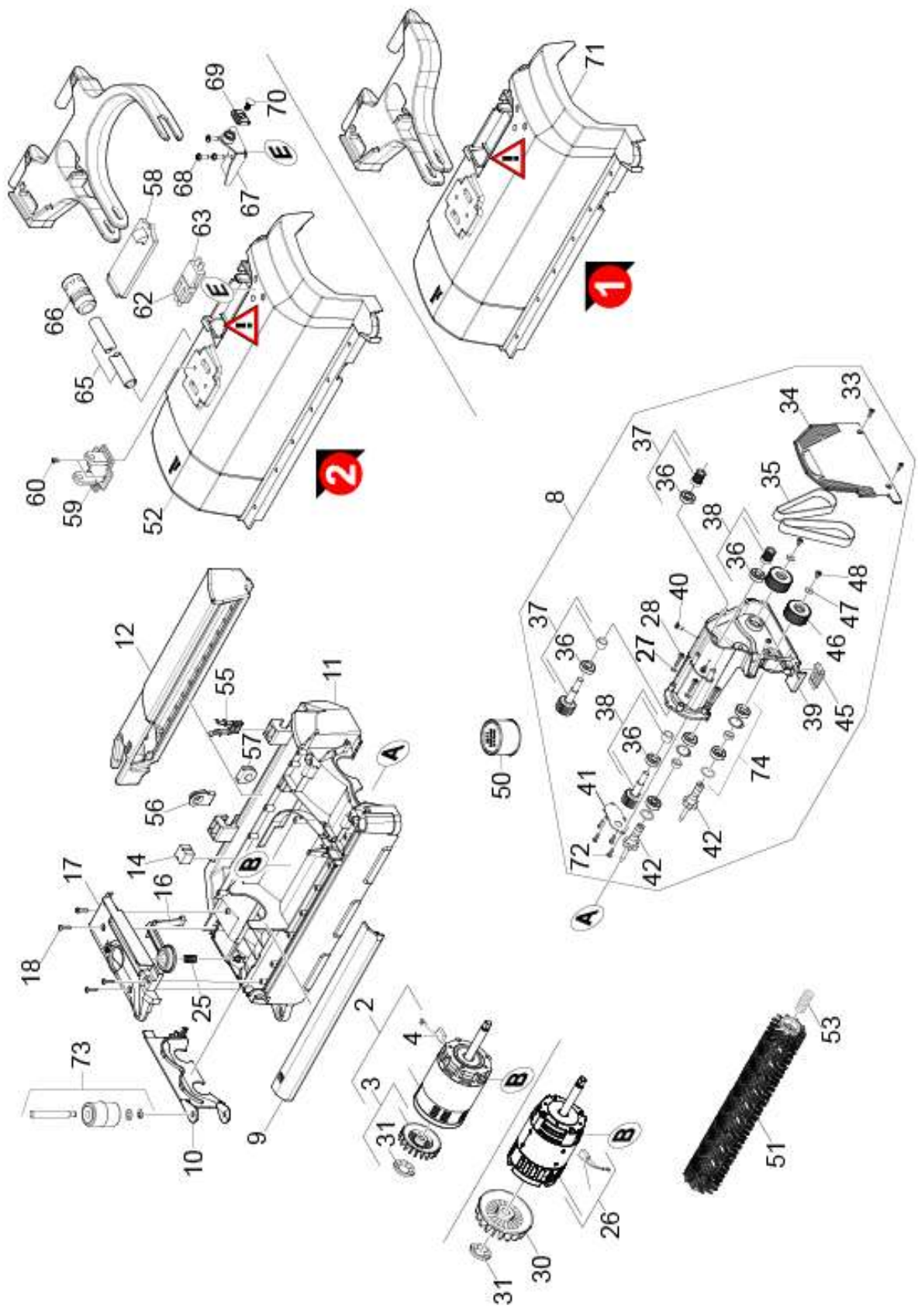


10 Power brush counter rotation BR



10 Power brush counter rotation BR

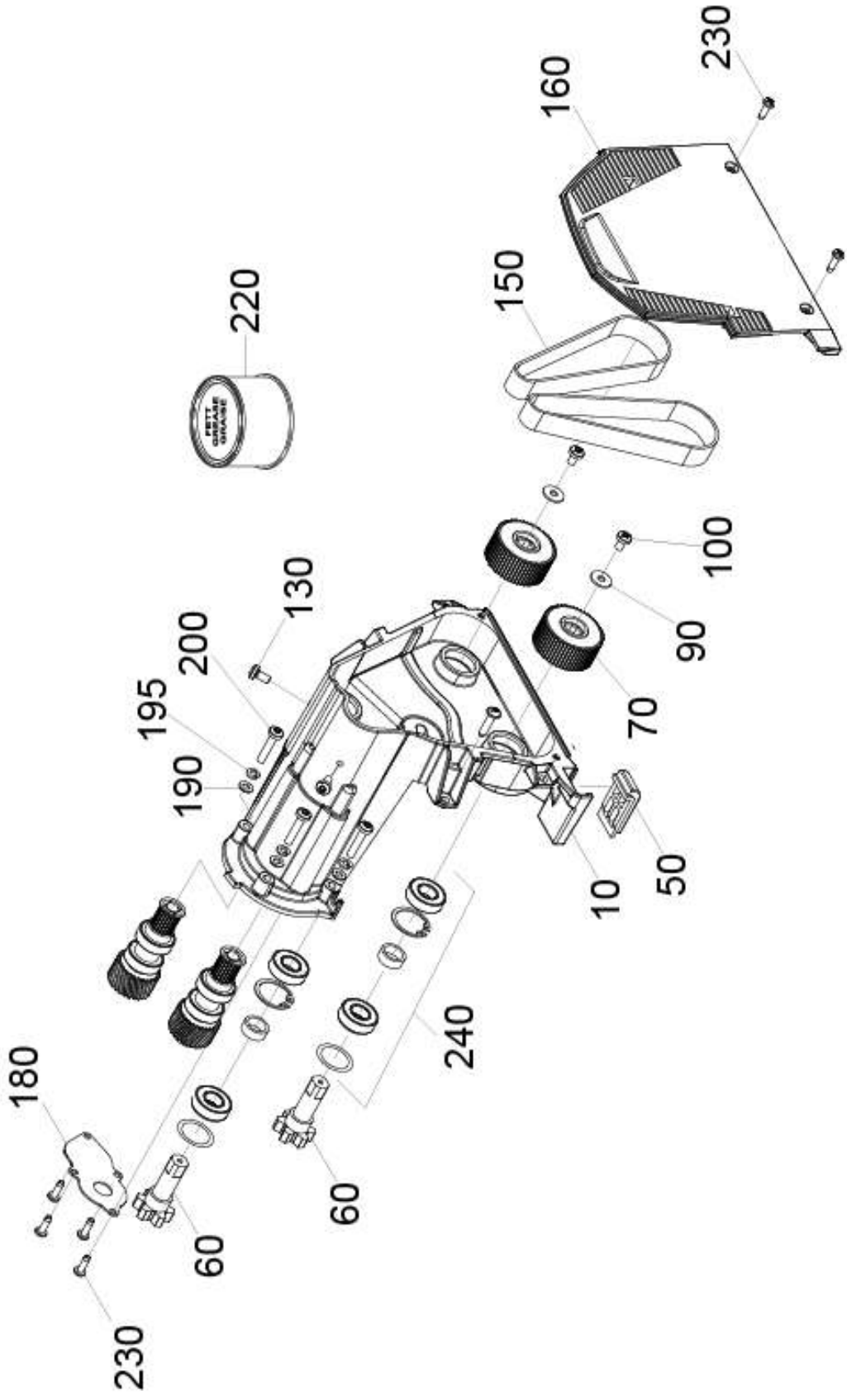
POS	Article no.	Description	Quantity	Unit	Remark	Foot note text
2	4.035-428.0	Direct current motor replacement	1	PC	Hengye/24V	
3	6.610-027.0	Blower wheel only for replacement Hengye	1	PC	Hengye	
4	6.610-026.0	Carbon brush set	1	PC	Hengye	
8	4.035-004.0	Gear complete counter rotation	1	PC		
9	5.035-403.0	Strip water distributor R 55	1	PC		
10	5.035-393.0	Brushes retainer	1	PC		
11	5.035-389.0	Housing bottom part R 55	1	PC		
12	5.035-399.0	Sweep tank R 55	1	PC		
14	5.035-447.0	Plug	1	PC		
16	5.035-458.0	Brushes locking part	1	PC		
17	5.035-405.0	Housing top part locking part	1	PC		
18	7.303-113.0	Screw 6x25 -10.9-R2R (In6Rd)	8	PC		
25	6.330-450.0	Pressure spring	1	PC		
26	4.035-428.0	Direct current motor replacement	1	PC	ATAS/24V	
27	7.312-026.0	Washer 6 -A2 ISO 7089	4	PC		
28	7.306-196.0	Screw M 6x30-A2-70 (IN6RD)	4	PC		
30	6.613-025.0	Blower wheel	1	PC	ATAS	
31	6.343-149.0	Quick-fastener	1	PC		
33	7.303-039.0	Screw M5x16 -St-P2R (In6Rd)	2	PC		
34	5.035-385.0	Cover gear	1	PC		
35	4.035-005.0	Toothed belt replacement	2	PC		
36	7.401-115.0	Ball bearing 6002-2RS -WAE LZLAGST DIN 62	4	PC		
37	4.035-380.0	Shaft gear left	1	PC		
38	4.035-381.0	Shaft gear right	1	PC		
39	5.035-384.0	Carrier motor worked R	1	PC		
40	7.306-089.0	Screw M6x12 -8.8-R2R (In6Rd)	1	PC		
41	5.035-684.0	Covering cap gear	1	PC		
42	5.101-104.0	Driveshaft	2	PC		
45	5.056-010.0	Rocker BR-VS	1	PC		
46	5.625-507.0	Belt pulley 56Z	2	PC		
47	7.312-276.0	Washer 6 -200HV-A2E ISO7093-1	2	PC		
48	6.304-180.0	Screw M6X12-A2/70-ISO7045 (IN6RD)	2	PC		

10 Power brush counter rotation BR

POS	Article no.	Description	Quantity	Unit	Remark	Foot note text
50	6.288-095.0	Viscous oil	1	PC		
51	4.035-184.0	ROLLER BRUSH COMPLETE FOR REPLACEMENT BR	2	PC		
51	4.762-409.0	Roller brush complete white BR 55/40	2	PC		
51	4.762-410.0	Roller brush complete orange BR 55/40	2	PC		
51	4.762-411.0	Roller brush complete green BR 55/40	2	PC		
51	4.762-412.0	Roller brush complete black BR 55/40	2	PC		
52	5.035-390.0	Housing top part R 55	1	PC		
53	5.332-114.0	Helical spring	1	PC		
55	5.035-424.0	Snap-fit	2	PC		
56	5.035-448.0	Wire protecting sleeve	1	PC		
57	6.648-064.0	Cable bushing	1	PC		
58	5.035-386.0	Cover electric box	1	PC		
59	5.035-604.0	Suspension seal brush-head BD	1	PC		
60	7.303-038.0	Screw M5x12 -St-P2R (In6Rd)	2	PC		
62	6.646-034.0	Set plug complete rot, 75A , Q-6mm ²	1	PC		
63	6.646-033.0	Set plug complete blau , 75A , Q-6mm ²	1	PC		
65	6.390-892.0	Spiral hose NW12	1	m		TO ORDER AS CUT GOODS
66	2.645-191.0	Hose coupling entry Universal	1	PC		
67	5.035-782.0	Suspension brush-head R	1	PC		VERSION 2
68	7.303-112.0	Screw 6x20 -10.9-R2R (In6Rd)	3	PC		VERSION 2
69	5.035-673.0	Sliding shoe	1	PC		VERSION 2
70	6.343-261.0	Quick-fastener	1	PC		VERSION 2
71	2.882-737.0	Conversion kit R55-Kopf B40	1	PC	R55	VERSION 1
72	7.303-038.0	Screw M5x12 -St-P2R (In6Rd)	4	PC		
73	4.035-610.0	Set deflector roll	1	PC		
74	4.035-611.0	Set transmission power brush	2	PC		

2 Direct current motor replacement (4.035-428.0)

POS	Article no.	Description	Quantity	Unit
10	6.610-026.0	Carbon brush set	1	PC
20	6.610-027.0	Blower wheel only for replacement Hengye	1	PC



8 Gear complete counter rotation (4.035-004.0)

POS	Article no.	Description	Quantity	Unit
10	5.035-384.0	Carrier motor worked R	1	PC
50	5.056-010.0	Rocker BR-VS	1	PC
60	5.101-104.0	Driveshaft	2	PC
70	5.625-507.0	Belt pulley 56Z	2	PC
90	7.312-276.0	Washer 6 -200HV-A2E ISO7093-1	2	PC
100	6.304-180.0	Screw M6X12-A2/70-ISO7045 (IN6RD)	2	PC
120	4.035-381.0	Shaft gear right	1	PC
130	7.306-089.0	Screw M6x12 -8.8-R2R (In6Rd)	2	PC
140	4.035-380.0	Shaft gear left	1	PC
150	4.035-005.0	Toothed belt replacement	2	PC
160	5.035-385.0	Cover gear	1	PC
180	5.035-684.0	Covering cap gear	1	PC
190	7.312-026.0	Washer 6 -A2 ISO 7089	4	PC
195	7.313-003.0	Spring washer B 6-FSt-A3E DIN 127	4	PC
200	7.306-196.0	Screw M 6x30-A2-70 (IN6RD)	4	PC
220	6.288-095.0	Viscous oil	1	PC
230	7.303-038.0	Screw M5x12 -St-P2R (In6Rd)	6	PC
240	4.035-611.0	Set transmission power brush	2	PC