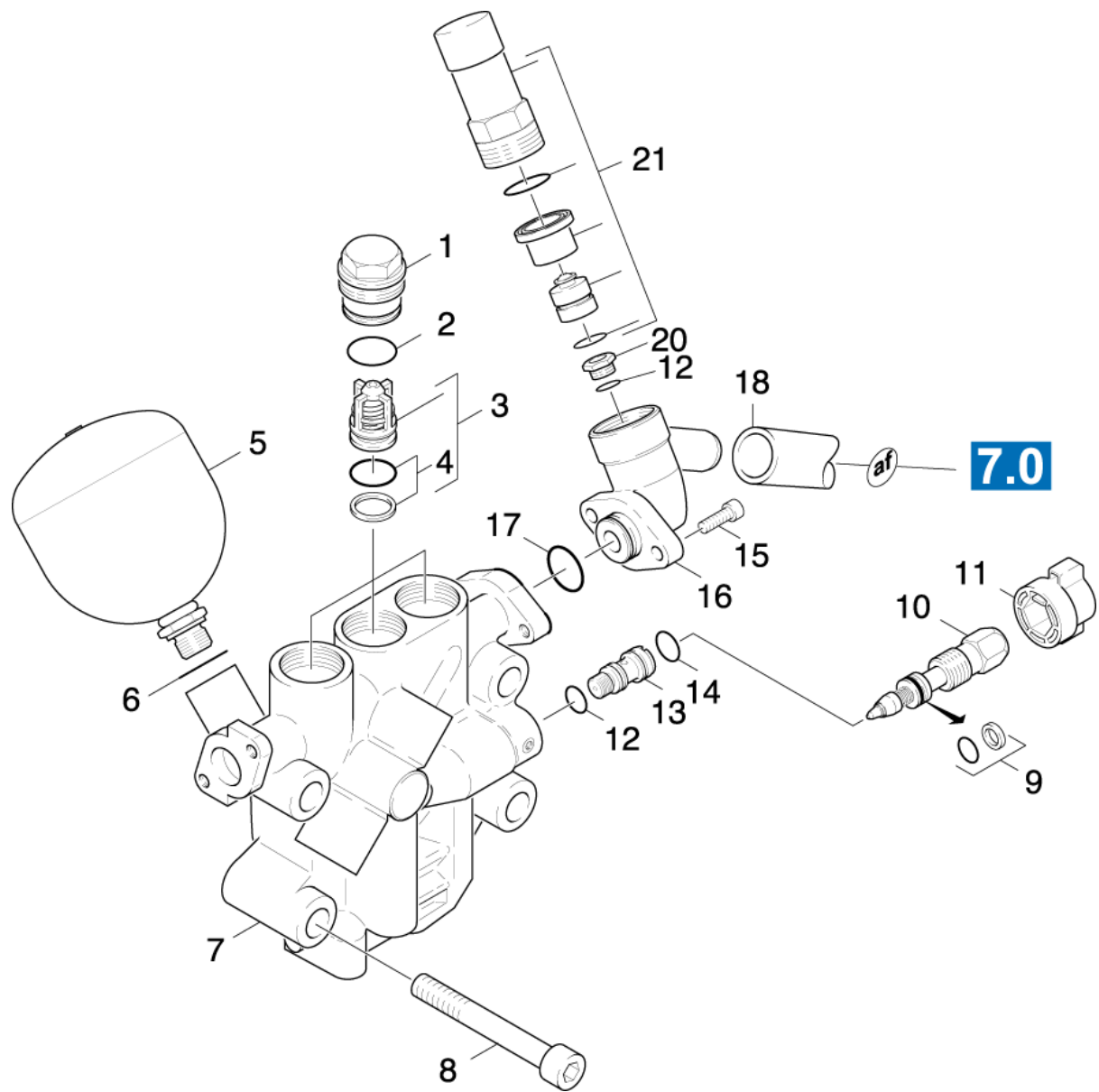


22 Delivery side

Overview technical documents/Professional/High pressure cleaner hotwater/Stationary/HDS 1290 ST-LP (1.885-125.0)/Documentation HDS1290 ST GAS/Spare parts list HDS 1290 ST-GAS/20 Pump set/22 Delivery side



22 Delivery side

Overview technical documents/Professional/High pressure cleaner hotwater/Stationary/HDS 1290 ST-LP (1.885-125.0)/Documentation HDS1290 ST GAS/Spare parts list HDS 1290 ST-GAS/20 Pump set/22 Delivery side

Rez.daļas/nodil.pakļ.daļas	Poz.	Materiāla Nr.	Nosaukums	Daudzums	Pārdoš. vienība	no sēr. Nr..	līdz sēr. Nr.
X-X	1	5.583-071.0	Valve screw	3.000	ST	0000000000	0000000000
X-X	2	6.362-518.0	O-Ring seal 21,95X1,78-NBR 80	3.000	ST	0000000000	0000000000
X-X	3	2.884-912.0	Valve (3 Stück)	1.000	ST	0000000000	0000000000
X-X	4	6.362-517.0	O-Ring seal complete 1ST.-R.	3.000	ST	0000000000	0000000000
X-X	5	6.505-028.0	Pressure accumulator	1.000	ST	0000000000	0000000000
X-X	6	7.362-007.0	Joint ring A16x20 -Cu DIN 7603	1.000	ST	0000000000	0000000000
	7	5.550-136.0	Cylinder head	1.000	ST	0000000000	0000000000
X	8	7.306-104.0	Cylinder head screw M12x110- 10.9-A3E I	4.000	ST	0000000000	0000000000
X-X	9	6.362-575.0	Gredzenblīve 12,42 KOMPL	1.000	ST	0000000000	0000000000
	10	4.291-009.0	Spindle	1.000	ST	0000000000	0000000000
	11	5.321-263.0	Handhold	1.000	ST	0000000000	0000000000
	12	6.362-482.0	Gredzenblīve 10 x 1,5-NBR 70	2.000	ST	0000000000	0000000000
X-X	13	5.110-368.0	Uzmava	1.000	ST	0000000000	0000000000
	14	6.362-402.0	O-Ring seal 11,0 X 1,3-NBR 70	1.000	ST	0000000000	0000000000
	15	7.306-092.0	Screw	2.000	ST	0000000000	0000000000
	16	5.060-237.0	Housing	1.000	ST	0000000000	0000000000
	17	6.362-445.0	O-ring seal	1.000	ST	0000000000	0000000000
	18	6.388-719.0	Hose DN17	1.000	M	0000000000	0000000000
X-X	20	5.581-134.0	Valve seat	1.000	ST	0000000000	0000000000
X-X	21	6.412-604.0	Safety valve	1.000	ST	0000000000	0000000000
X-X	100	2.880-392.0	PUMP SET	1.000	ST	0000000000	0000000000