

K 6.200
K 7.200
K 7 Compact
Service Manual



Preface	4
Safety instructions	4
Hazard levels	4
Description in this service manual	5
Service groups	5
Functional group structure	5
Textual description	5
Technical Features	6
Intended use	6
Field of application	6
Safety installations	6
Lock trigger gun	6
Overflow valve with pressure switch	6
Type plate	7
Overview of the appliance	7
Overview appliance components	7
Casing	7
Pump motor	8
Overview over the service and functional groups	9
AB Service group casing	10
010 Safety information	10
General	10
020 Overview	10
Casing	10
040 Service activities	11
ABGH Uninstall / install appliance hood	11
ABRD Uninstall / install wheels	12
ABSB Uninstall / install push handle	12
050 Maintenance and inspection	12
060 Error diagnosis	12
070 Peculiarities/ others	12
110 Replacement times	12
AD Service group water system	13
010 Safety information	13
020 Overview	13
030 Function	14
040 Service activities	14
ADAW Uninstall / install outer jacket of water channel	14
ADID Uninstall / install injector nozzle	15
ADVR Uninstall / install valve for detergent	15
050 Maintenance and inspection	16
Care	16
Storing the device	16
060 Error diagnosis	16
070 Peculiarities/ others	16
110 Replacement times	16
AE Service group pump	17
010 Safety information	17
020 Overview	17
030 Function	17
040 Service activities	18
AEOK Uninstall / install oil seal piston guide	18

AEPM Uninstall / install pump motor	19
AESG Uninstall / install valve gear casing	20
AESH Uninstall / install quick coupling of the high-pressure hose	20
AESV Uninstall / install control valve	21
AETS Uninstall / install swash plate	21
AEZK Uninstall / install cylinder head	22
050 Maintenance and inspection	23
Care	23
Storing the device	23
060 Error diagnosis	24
070 Peculiarities/ others	24
110 Replacement times	24
AH Service group electrics	25
010 Safety information	25
020 Overview	25
Circuit diagram	25
030 Function	25
Power switch	25
040 Service activities	26
AHNK Uninstalling / installing mains cable	26
AHKS Uninstalling / installing capacitor	26
AHSE Uninstall / install appliance switch	27
050 Maintenance and inspection	27
060 Error diagnosis	27
070 Peculiarities/ others	27
110 Replacement times	27
Technical Documentation	28
Technical specifications	28
Torques	28
Circuit diagram	28
Special tools	29

Preface

Good service work requires extensive and practice-oriented training as well as well-structured training materials. Hence we offer regular basic and advanced training programmes covering the entire product range for all service engineers.

In addition to this, we also prepare service manuals for important appliances - these can be initially used as instruction guides and later on as reference guides.

Apart from this, we also regular information about product enhancements and their servicing.

If you should require supplements, have corrections or questions regarding this document, please address these citing the following subject to:
international-service@de.kaercher.com

Subject:	Fall 117017
----------	--------------------

The responsible product specialist will take care of your issue.

Copying and duplication of texts and diagrams as well as third-party access to this information is permitted only with the explicit permission of the company:

Alfred Kärcher GmbH & Co. KG

P O Box 160

D -71349 Winnenden

www.kaercher.com

Safety instructions

Service and maintenance tasks may only be performed by qualified and specially trained specialists.

Observe safety information in the chapters!

⚠ Danger

Prior to all work on the appliance, switch off the appliance and pull the power plug.

⚠ Caution

Risk of damage by electrostatic discharge (ESD)! Take suitable measures for discharging electrostatic charge prior to performing work on the appliance electronics.

Hazard levels

⚠ Danger

For an immediate danger which can lead to severe injuries or death.

⚠ Warning

For a possibly dangerous situation which could lead to severe injuries or death.

⚠ Caution

For a possibly dangerous situation which can lead to minor injuries or property damage.

Notice

Pointer to a possibly dangerous situation, which can lead to property damage.

Note

Indicates useful tips and important information.

Description in this service manual

Service groups

Example:

ABGH Uninstalling / installing casing

A	B	G	H	Uninstalling / installing casing
Product group	Service group	Functional group, component, activity		Plain text description

Observe the allocation of service groups to the appliance components in the overview diagram in Chapter "Overview over the service and functional groups".

Functional group structure

010	Safety instructions
020	Overview
030	Function
040	Service activities
050	Maintenance and inspection
060	Error diagnosis
070	Peculiarities/ others
080 - 100	Not assigned
110	Replacement times

Textual description

→ Instruction

■ *Preparatory operations*

1

2 Key numerical

A

B Key alphanumerical

– Enumeration / General list

⚠ **Safety note**

Pointer to hazards, sources of errors.

Technical Features

- 3 piston axial pump with stainless steel piston
- Cylinder head made of brass / aluminium
- Pressure relief system
- Electric motor with thermal motor protection switch.
- Retractable push handle
- Carrying handle
- Nozzle racks for triple nozzle and rotor nozzle
- Transport bracket for surface cleaner
- Cable clamp
- Rubber strap as transport restraint for power cable and high-pressure hose (not with CX-version)
- Can be operated in a vertical or horizontal position
- Additional spray lance holder with fixation for transportation
- Metal sieve with water connection

Intended use

This high pressure cleaner is designed for domestic use only.

- for cleaning machines, vehicles, buildings, tools, facades, terraces, gardening tools, etc. by means of a high-pressure water jet (if necessary, with additional cleaning agents).
- with accessories, replacement parts and cleaning agents approved by KÄRCHER. Please observe the information accompanying the cleaning agents.

Field of application

This service manual describes the appliance family:

- K 6.200
- K 7.200
- K 7 Compact

The appliances only differ in the pump capacity.

Safety installations

Safety devices serve to protect the user and must not be rendered in operational or their functions bypassed.

Observe safety information in the chapters!

Lock trigger gun

This lock locks the lever of the trigger gun and prevents the inadvertent start of the appliance.

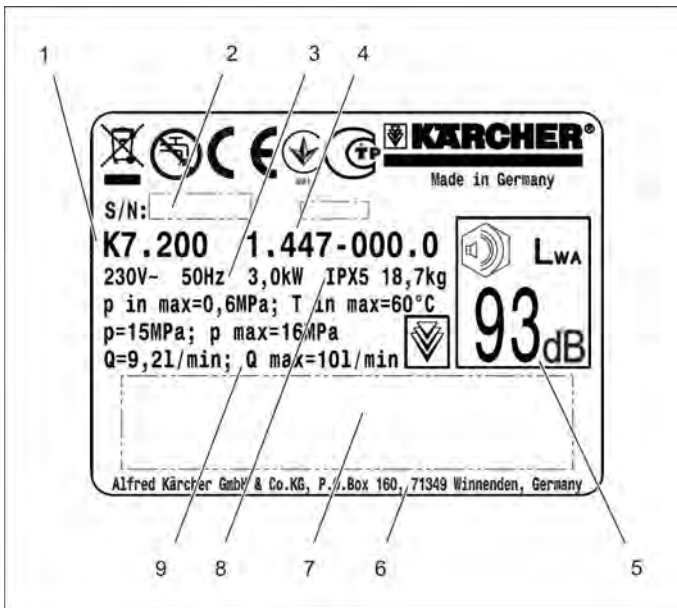
Overflow valve with pressure switch

The overflow valve prevents the permissible working pressure from being exceeded.

If the lever on the trigger gun is released the pressure switch turns off the pump, the high pressure jet is stopped.

If the lever is pulled the pump is turned on again.

Type plate



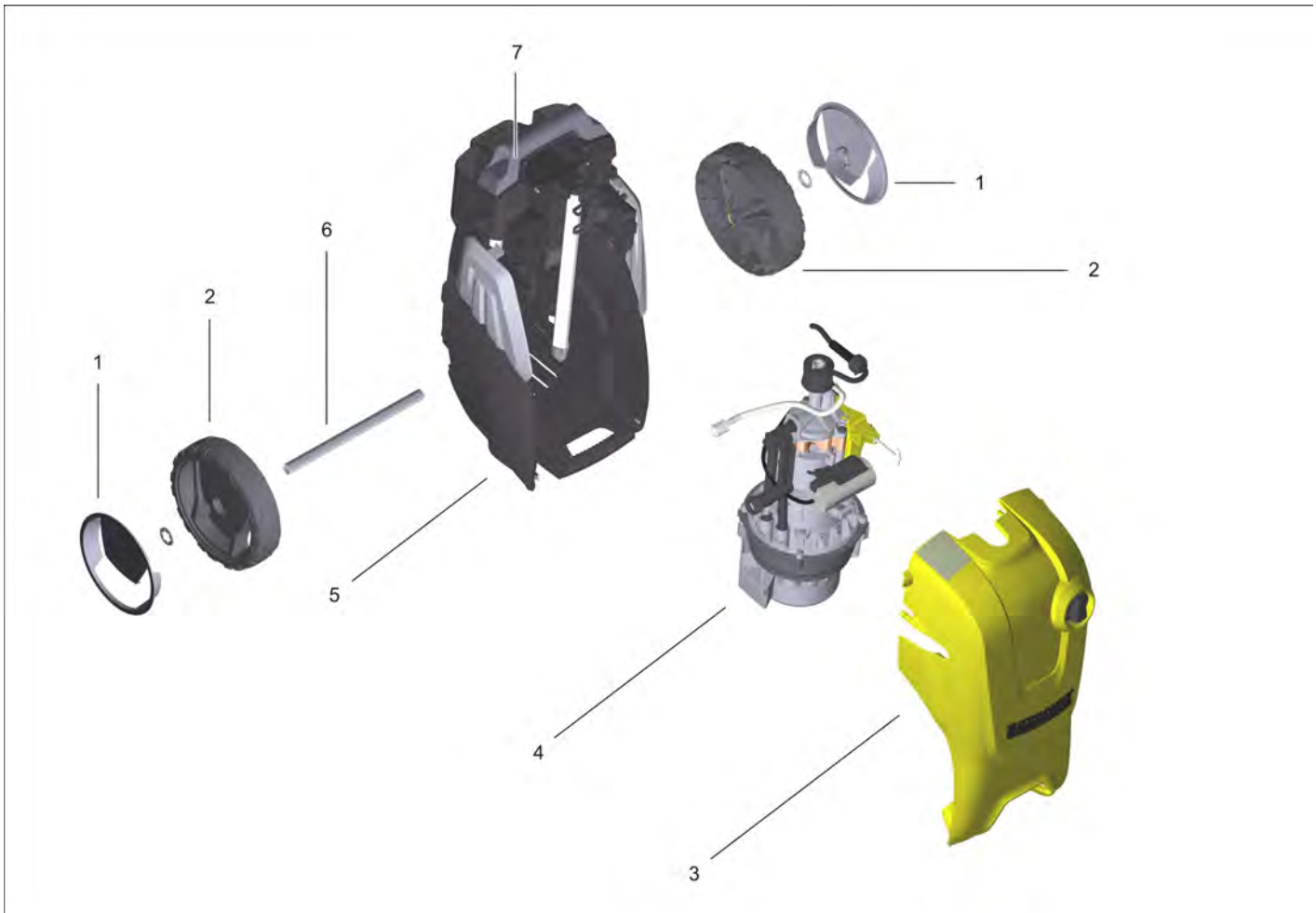
The type plate is located at the bottom of the appliance.

- 1 Appliance description
- 2 Serial number
- 3 Specifications
- 4 Part number
- 5 Sound pressure level L_{WA}
- 6 Address of manufacturer
- 7 Bar code. Contains part and serial number.
- 8 IP rating/ protection class
- 9 Max. flow rate

Overview of the appliance

Overview appliance components

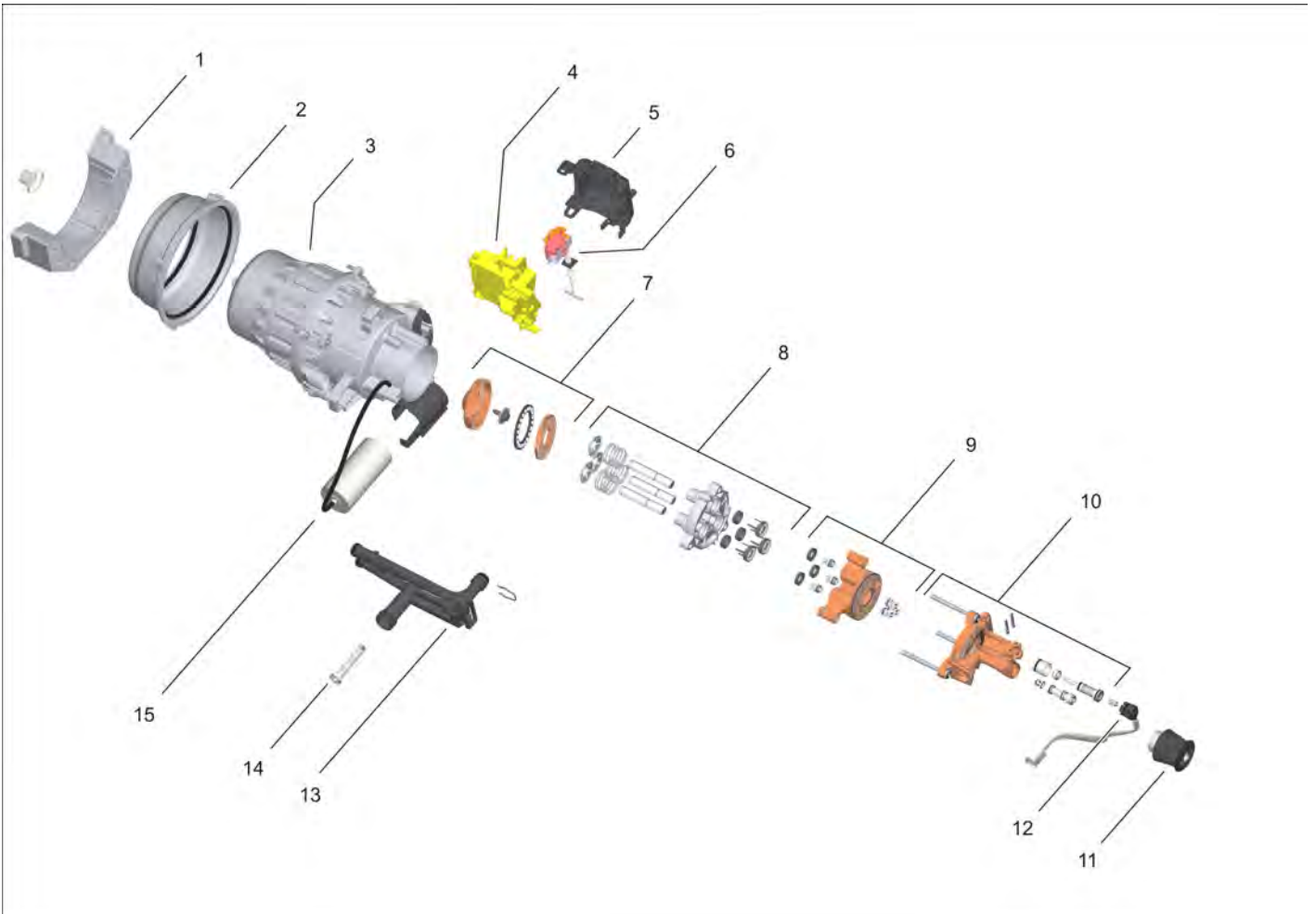
Casing



- 1 Wheel cap
- 2 Wheel
- 3 Cover
- 4 Pump motor
- 5 Chassis

- 6 Axle
- 7 Push handle

Pump motor



1 Holder pump motor

2 Water channel

3 Pump motor M1

4 Casing bottom

5 Covering lid

6 Power switch S1

7 Swash plate

8 Piston guide

9 Cylinder head

10 Valve gear casing

11 Quick coupling

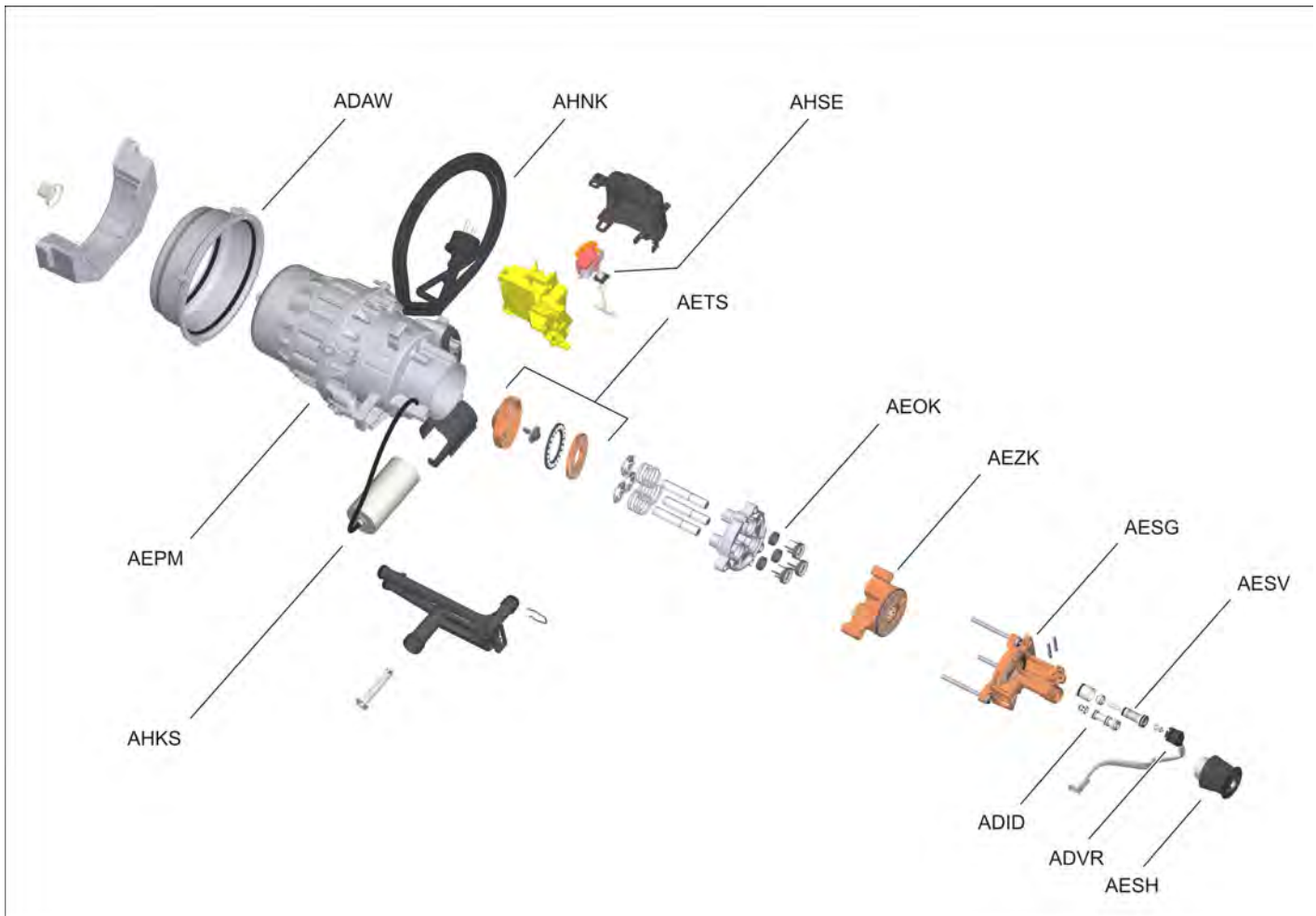
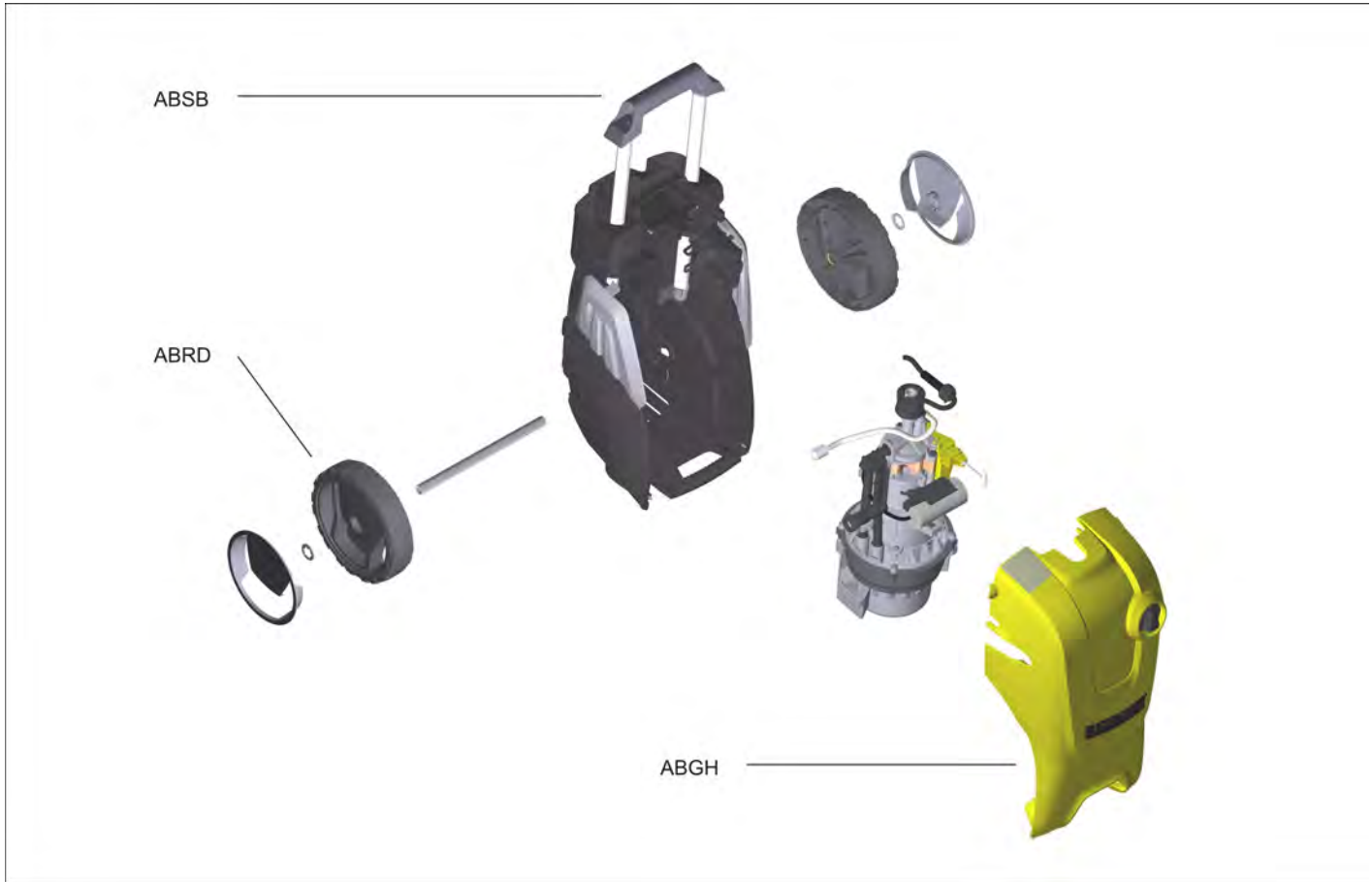
12 Valve detergent

13 Water pipes

14 Fine filter

15 Capacitor C1

Overview over the service and functional groups



AB Service group casing

010 Safety information

General

Observe general safety information!

Service and maintenance tasks may only be performed by qualified and specially trained specialists.

⚠ Danger

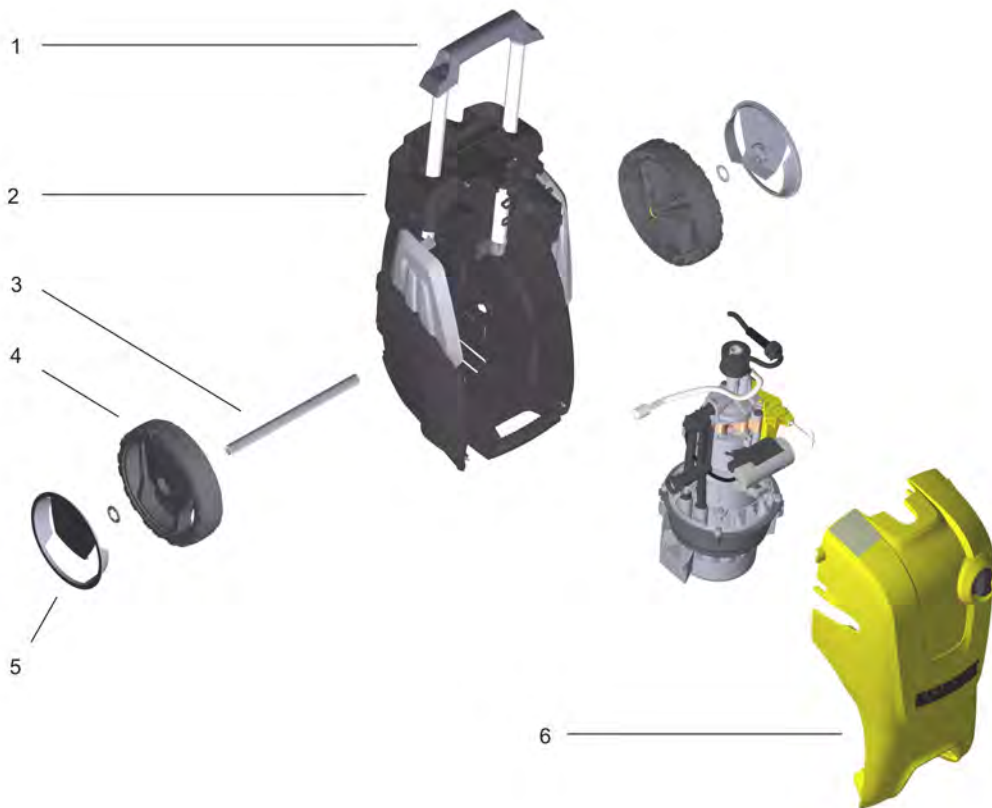
Prior to all work on the appliance, switch off the appliance and pull the power plug.

⚠ Caution

Risk of damage by electrostatic discharge (ESD)! Take suitable measures for discharging electrostatic charge prior to performing work on the appliance electronics.

020 Overview

Casing



- 1 Push handle
- 2 Chassis
- 3 Axle
- 4 Wheel
- 5 Wheel cap
- 6 Cover

040 Service activities

ABGH Uninstall / install appliance hood

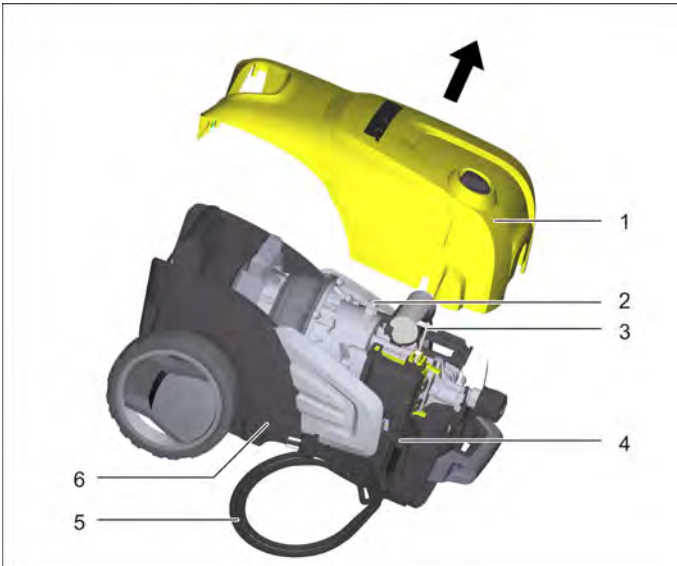


- 1 Screws
 - 2 Chassis
- ➔ Unscrew the screws.

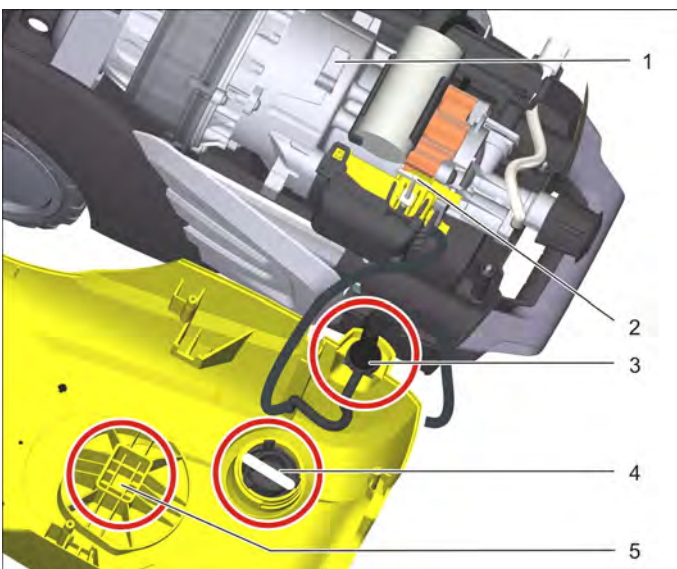
Note

Use special tools.

Torques	Nm
Screws	1,2...1,9



- 1 Cover
 - 2 Engine mount
 - 3 Lever appliance switch
 - 4 Rubber guiding device mains cable
 - 5 Mains cable
 - 6 Chassis
- ➔ Remove the appliance cover.
- ➔ Unhook the rubber guiding device of the mains cable.

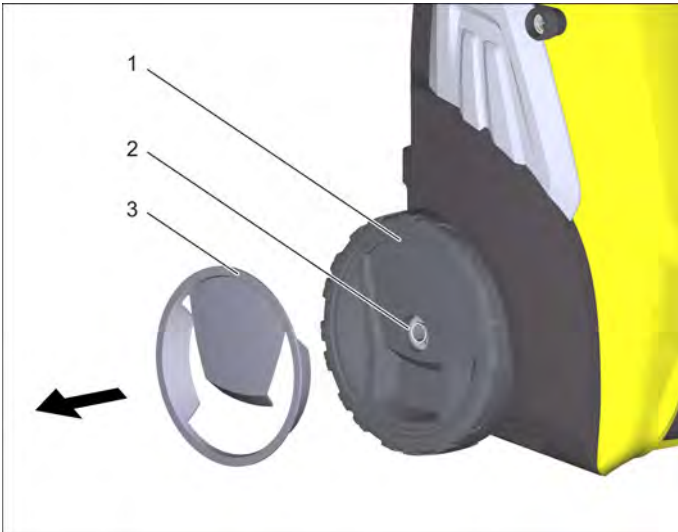


Installation information

Pay attention to the correct fitting position during reinstallation.

- 1 Engine mount
- 2 Lever appliance switch
- 3 Rubber guiding device mains cable
- 4 Retainer lever appliance switch
- 5 Retainer engine mount

ABRD Uninstall / install wheels

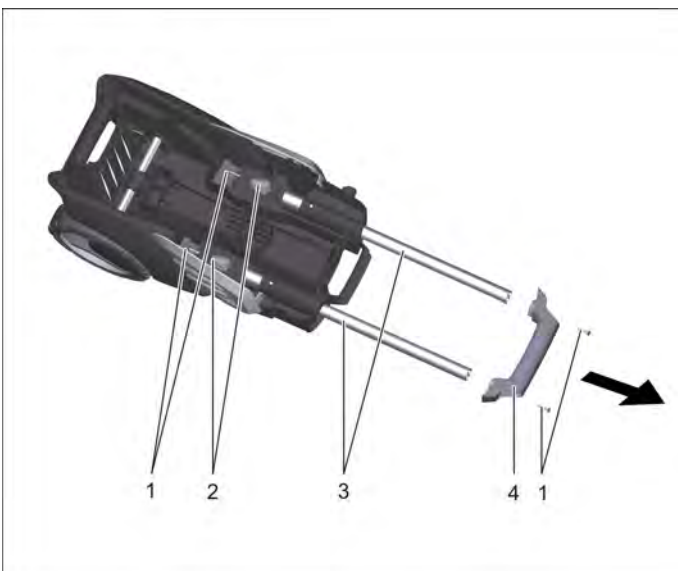


- 1 Wheel
 - 2 Safety ring
 - 3 Wheel cap
- ➔ Remove the wheel cover.
 - ➔ Remove the retaining ring.
 - ➔ Remove wheel.

Installation information

Use new retaining ring.

ABSB Uninstall / install push handle



ABGH Uninstall / install appliance hood

- 1 Screws
 - 2 End pieces
 - 3 Pipes
 - 4 Handle
- ➔ Remove pump motor.
 - ➔ Unscrew the screws.
 - ➔ Pull off end pieces.
 - ➔ Remove pipes.
 - ➔ Remove the handle.

Note

Pay attention to the correct fitting position during reinstallation.

050 Maintenance and inspection

Service group does not contain any maintenance and inspection points.

060 Error diagnosis

Findings	Possible cause	Correction
Damage, cracks	External mechanical impact	Replace casing
Cracked screw bosses	Incorrect lifting	Replace casing
Casing distorted	Thermal impact	Replace casing
Push handle distorted	External mechanical impact Incorrect lifting	Replace the push handle

070 Peculiarities/ others

The service group does not contain any peculiarities.

110 Replacement times

Basic work	Description	Work value
ABGH	Uninstall / install appliance hood	
ABRD	Uninstall / install wheels	
ABSB	Uninstall / install push handle	

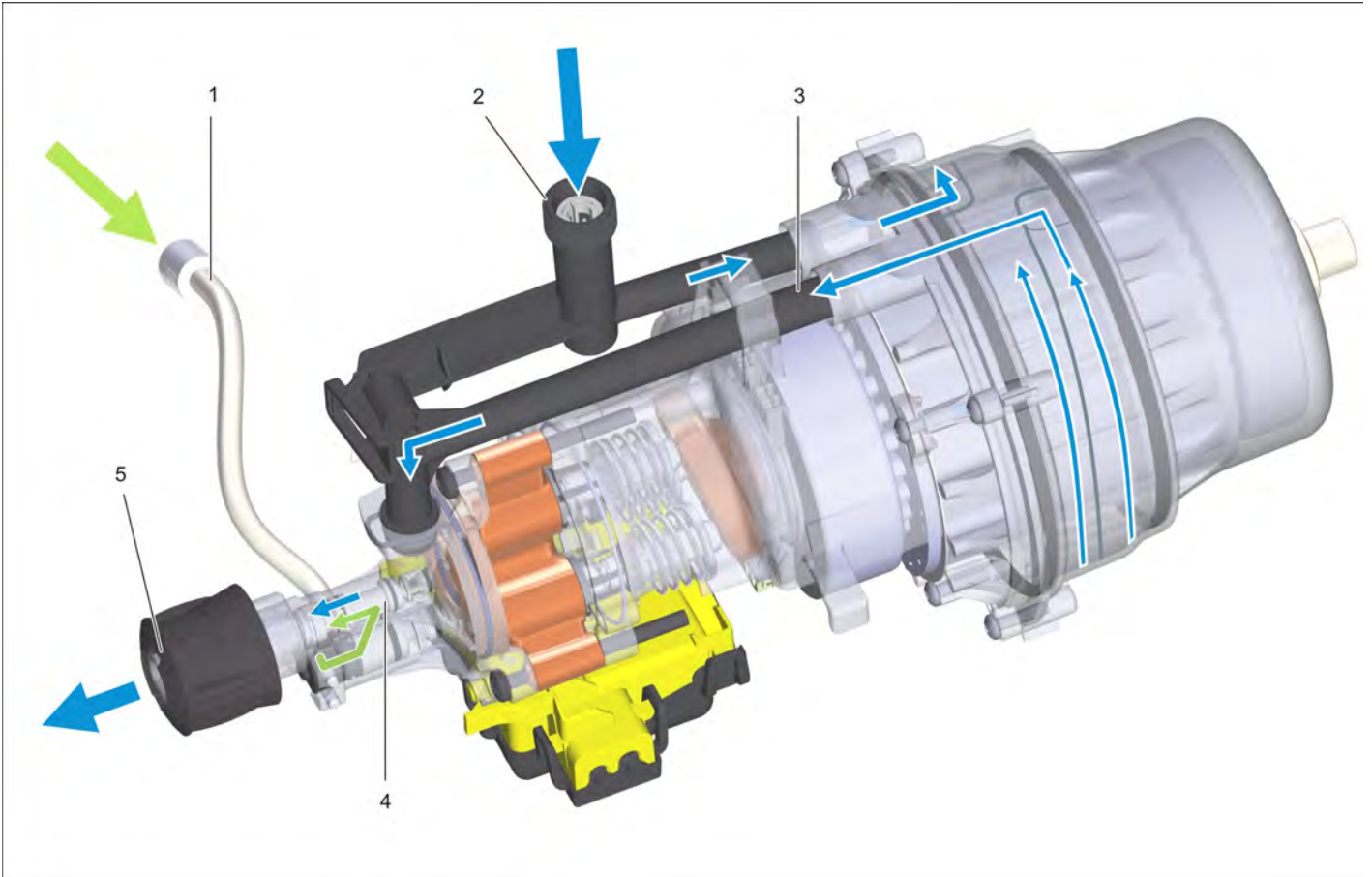
AD Service group water system

010 Safety information

For this service group there is no special safety information.

Observe general safety information!

020 Overview



- 1 Suctioning of detergent
- 2 Water inlet
- 3 Water return flow
- 4 Control valve
- 5 High-pressure outlet

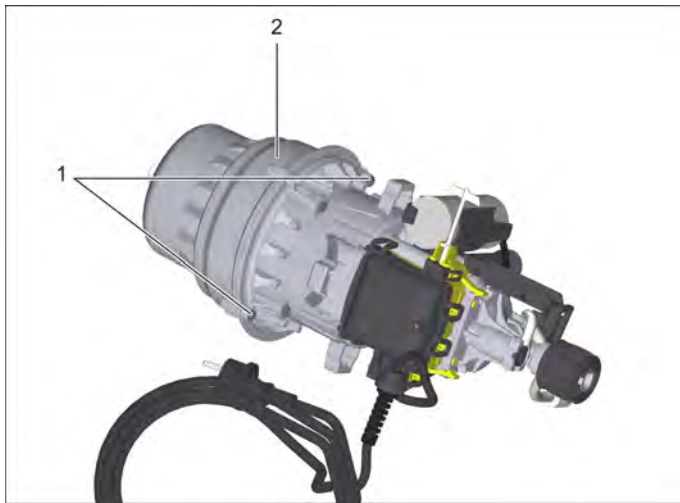
030 Function

The appliances are equipped with innovative water-cooled motor technologies. Water instead of a fan wheel is used for cooling the motor. Before the water is used for cleaning, it flows round the motor casing. This way constant cooling with less moving parts is achieved and the service life is increased.

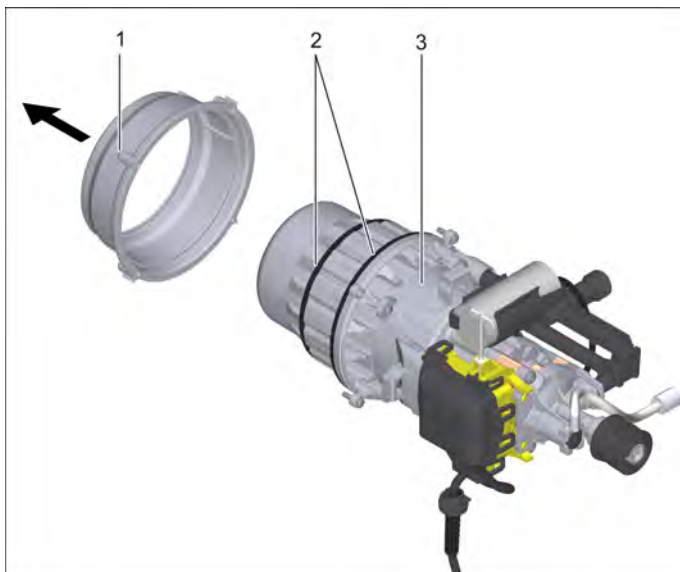
040 Service activities

ADAW Uninstall / install outer jacket of water channel

ABGH Uninstall / install appliance hood



- 1 Outer jacket water channel
 - 2 Screws
- ➔ Unscrew the screws.



- 1 Outer jacket water channel
 - 2 O rings
 - 3 Pump motor
- ➔ Remove the outer jacket of the water channel.

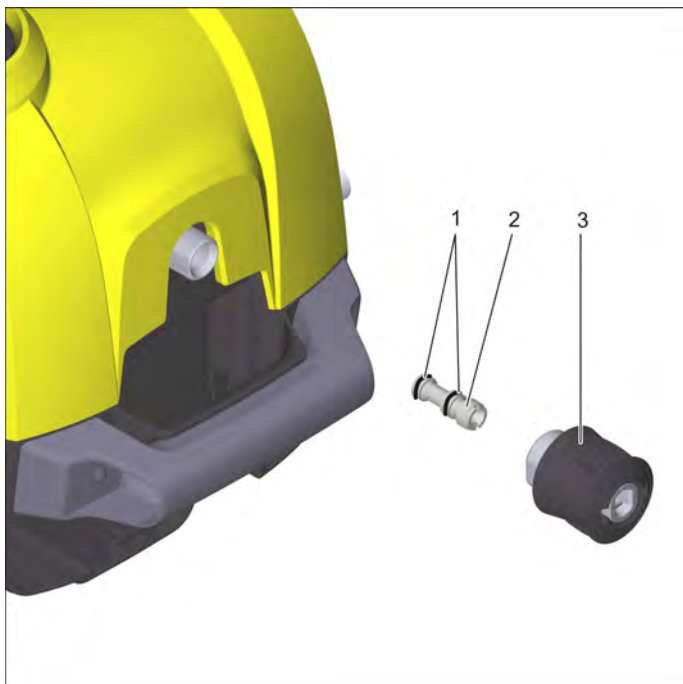
Note

Pay attention to the correct fitting position during reinstallation.

Clean the intake and sealing areas.
Check O-rings for damage.

Torques	Nm
Screws	5,5...7,5

ADID Uninstall / install injector nozzle



■ AESH Uninstall / install quick coupling of the high-pressure hose

- 1 O rings
- 2 Injector nozzle
- 3 Quick coupling

→ Unscrew the injector nozzle.

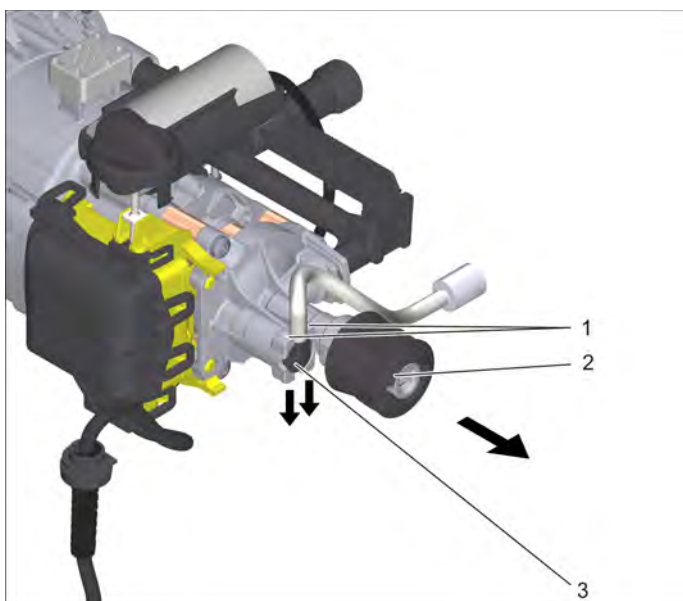
Note

Check O-rings for damage.

Pay attention to the correct fitting position during reinstallation.

Torques	Nm
Injector nozzle	0,8...1,2

ADVR Uninstall / install valve for detergent



■ ABGH Uninstall / install appliance hood

- 1 Pins
- 2 Quick coupling high-pressure hose
- 3 Valve detergent

→ Remove quick coupling of the high-pressure hose.

→ Remove the pump motor from the chassis.

→ Drive out pins.

→ Pull out the detergent valve.

Note

Pay attention to the correct fitting position during reinstallation.

Check O-ring for damage.

050 Maintenance and inspection

The appliance is maintenance free.

Care

Danger

Risk of electric shock.

→ Turn off the appliance and remove the mains plug prior to any care and maintenance works.

Prior to longer periods of storage, e.g. in the winter:

→ Remove filter from suction hose for detergent and clean under running water.

→ Pull out the fine filter in water connection using flat-nose pliers and clean with running water.

Storing the device

Notice

Appliances and accessories that are not completely drained can be destroyed by frost.

→ Completely drain appliance and accessories and protect them against frost.

To avoid damage:

→ Completely drain all water from the appliance: Switch the appliance on with detached high pressure hose and detached water supply (max. 1 minute) and wait, until no more water exits at the high pressure connection. Turn off the appliance.

→ Store the appliance and the entire accessories in a frost free room.

060 Error diagnosis

Fault	Cause	Correction
Appliance is not building up pressure	Air within the system	Vent appliance. Switch on the appliance without connection the HP hose (max. 2 minutes) and run it until the water discharging from the HP outlet is free of bubbles. Switch off appliance and reconnect HP hose.
	Suction area blocked	Pull out the mains plug and clean the suction area
	Suction hose or connection adapter not screwed in correctly or completely.	Manually tighten the suction hose and the connection adapter.
	Insufficient water quantity	Check setting at the spray lance.
	Fine filter blocked.	Rinse the fine filter under running water or replace if necessary.
Strong pressure variations	Nozzle soiled	Clean high-pressure nozzle: Remove dirt and debris from the nozzle bore, using a needle and rinse through with water from the front.
	Insufficient water quantity	Check water flow quantity.
Detergent is not being sucked in	Suction area blocked	Clean the detergent suction hose filter.
	Low or no detergent flow	Use spray lance with pressure regulation (Vario Power). Turn the spray lance to "Mix" position.
		Clean the detergent suction hose filter. Check the detergent suction hose for kinks.

070 Peculiarities/ others

The service group does not contain any peculiarities.

110 Replacement times

Basic work	Description	Work value
ADAW	Uninstall / install outer jacket of water channel	
ADID	Uninstall / install injector nozzle	
ADVR	Uninstall / install valve for detergent	

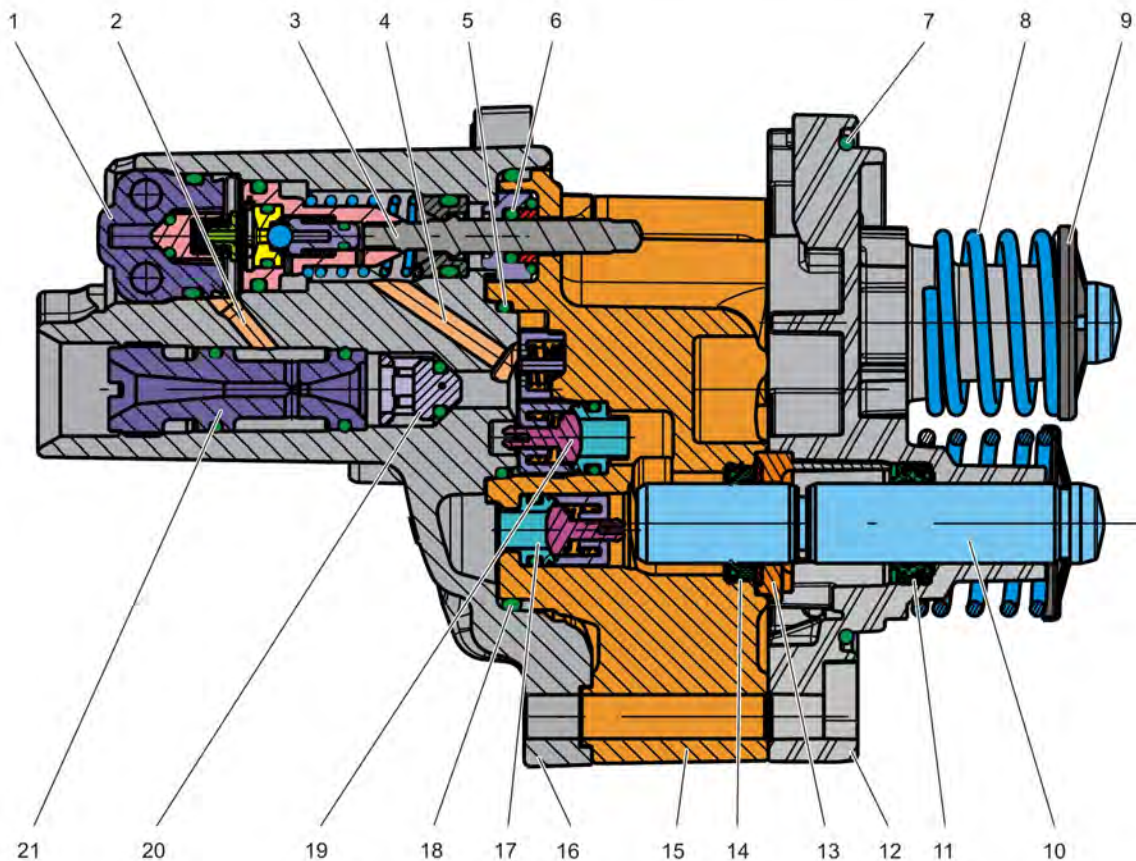
AE Service group pump

010 Safety information

⚠ Danger

Prior to all work on the appliance, switch off the appliance and pull the power plug.

020 Overview



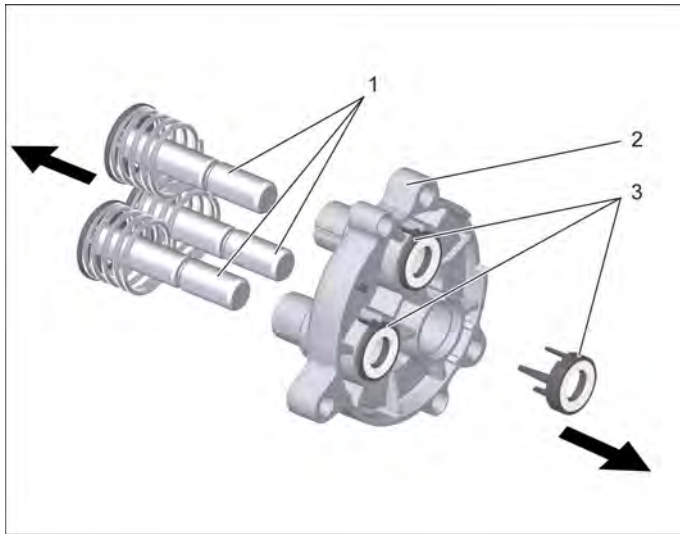
- | | | | |
|----|--|----|--|
| 1 | Valve detergent | 12 | Piston guide |
| 2 | Suctioning of detergent | 13 | Spacer |
| 3 | Control valve, complete * | 14 | High-pressure seal with support washer |
| 4 | Control boring | 15 | Cylinder head |
| 5 | O-ring, low-pressure range/high-pressure range | 16 | Valve gear casing |
| 6 | Seals control piston | 17 | Suction valve, caulked |
| 7 | O-ring, oil | 18 | O-ring, valve gear casing |
| 8 | Piston spring | 19 | Pressure valve |
| 9 | Spring plate | 20 | Pressure holding valve |
| 10 | Piston, with drip edge | 21 | Injector nozzle |
| 11 | Oil seal piston guide | | |

030 Function

* The control valve switches off the electric motor by means of the pressure surge that is created when closing the hand spray gun. Subsequently, the control valve effects a pressure reduction to 30...40 bar. In this way, the pump and accessories are protected and the force for opening the hand spray gun is reduced. For pumps that are equipped with this control valve, the pressure cannot be regulated on the hand spray gun (Servopress).

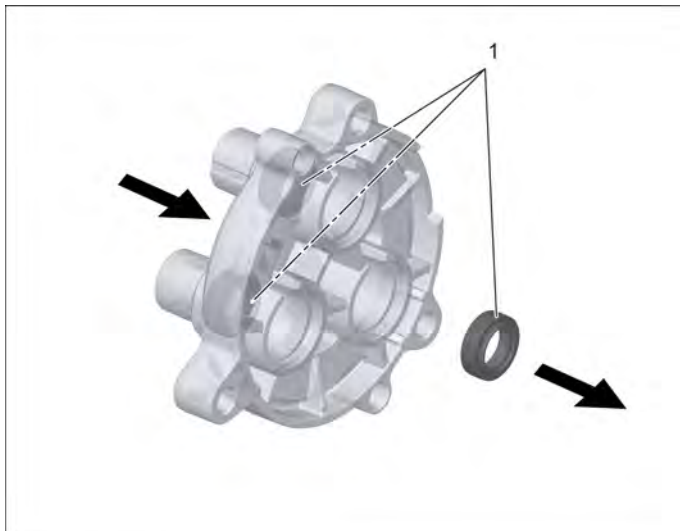
040 Service activities

AEOK Uninstall / install oil seal piston guide

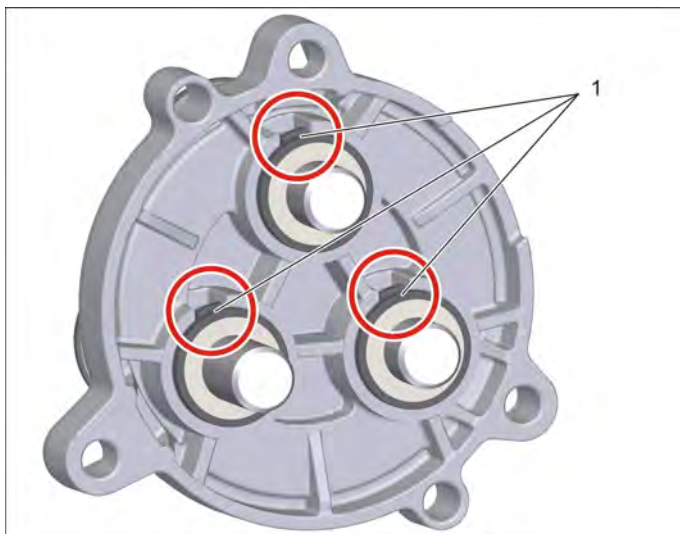


■ AEZK Uninstall / install cylinder head

- 1 Plunger
 - 2 Piston guide
 - 3 Support disc
- ➔ Pull out support washers.
 - ➔ Pull out piston.
 - ➔ Check piston for wear.



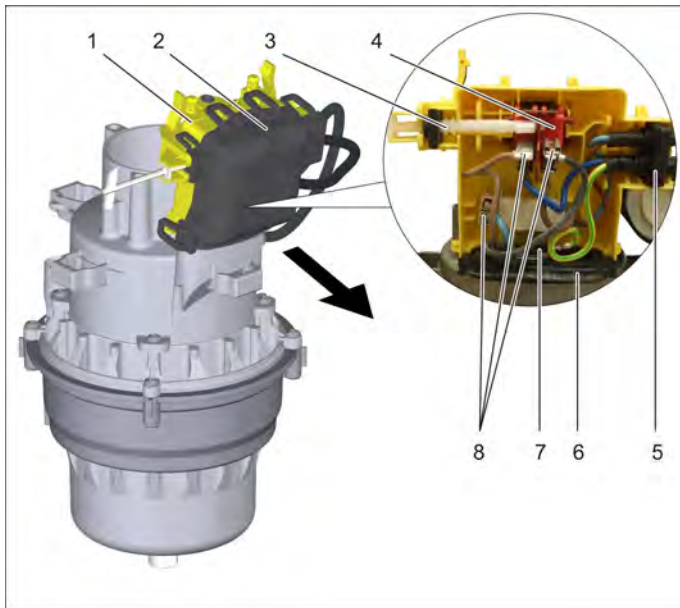
- 1 Oil seal piston guide
- ➔ Carefully push out the oil seals using a screwdriver.
 - ➔ Clean drilled holes from oil and grease.
 - ➔ Insert new oils seals using the installation mandrel.



Installation information

- 1 Pin
- Pay attention to the correct fitting position during reinstallation.

AEPM Uninstall / install pump motor



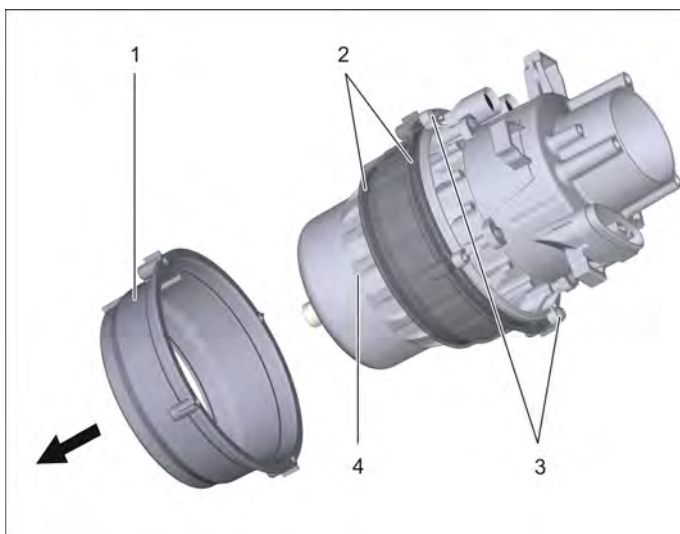
■ AETS Uninstall / install swash plate

- 1 Casing bottom
- 2 Covering lid
- 3 Lever appliance switch
- 4 Power switch S1
- 5 Seal
- 6 Rubber seal casing
- 7 Screw
- 8 Plug connections

- Unclip casing cover.
- Loosen the screw.
- Unhook lever of appliance switch.
- Remove appliance switch.
- Remove the seal.
- Disconnect the connectors.
- Remove bottom casing part.

Note

Observe the plug arrangement during installation.
Ensure correct seating of the rubber seal of the casing during installation.
Pay attention to the correct fitting position during reinstallation.



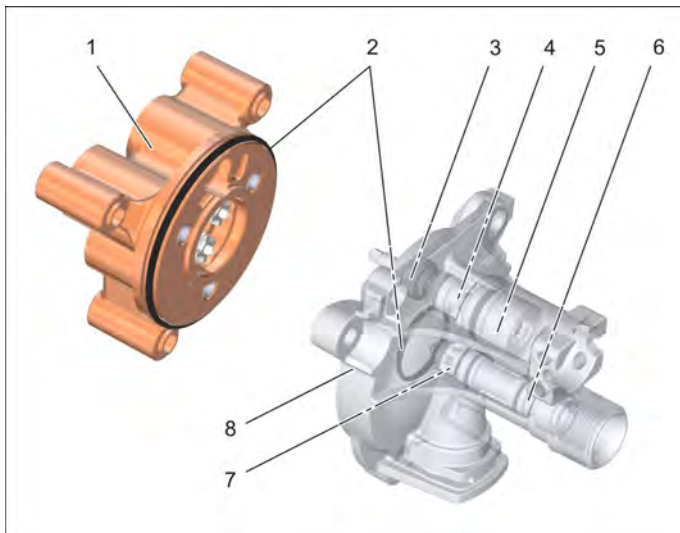
- 1 Outer jacket water channel
 - 2 Screws
 - 3 O rings
 - 4 Pump motor
- Unscrew the screws.
 - Remove the outer jacket of the water channel.
 - Replace pump motor.

Note

Clean the intake and sealing areas.
Check O-rings for damage.

Torques	Nm
Screws	5,5...7,5

AESG Uninstall / install valve gear casing



■ AEZK Uninstall / install cylinder head

- 1 Cylinder head
- 2 O rings
- 3 Seals control piston
- 4 Control valve
- 5 Guide sleeve
- 6 Injector nozzle
- 7 Check valve
- 8 Valve gear casing

→ Disconnect the cylinder head from the valve gear casing.

→ Pull of the seal of the control piston.

→ Pull out the control valve.

→ Pull out the guide bush.

→ Unscrew the injector nozzle.

→ Remove the check valve.

Note

Check O-rings for damage.

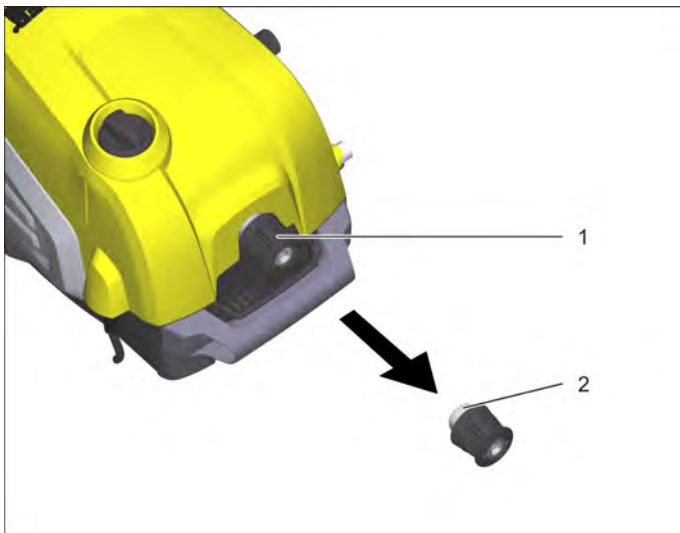
Check control valve and injector nozzle for ease of movement, clean if necessary.

Clean the intake and sealing areas.

Check components for wear / damage.

Pay attention to the correct fitting position during reinstallation.

AESH Uninstall / install quick coupling of the high-pressure hose



- 1 Quick coupling high-pressure hose
- 2 O ring

- 2 O ring

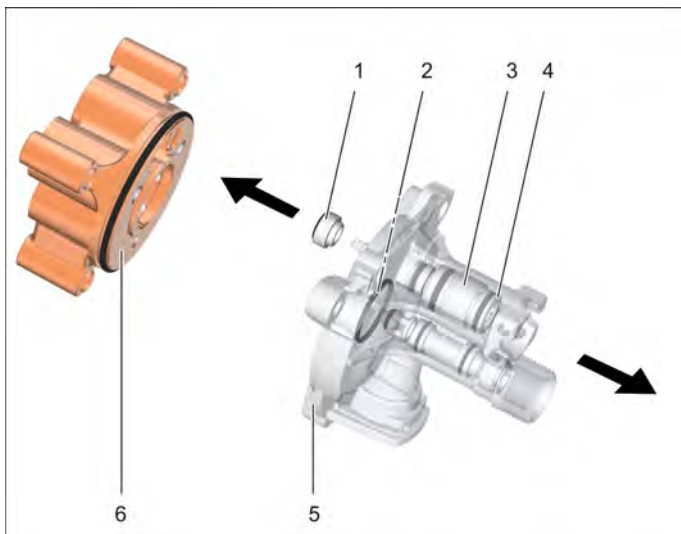
→ Unscrew the hose coupling of the high-pressure hose

Note

Check O-ring for damage.

Pay attention to the correct fitting position during reinstallation.

AESV Uninstall / install control valve



■ AEZK Uninstall / install cylinder head

- 1 Seals control piston
- 2 O rings
- 3 Guide sleeve
- 4 Control valve
- 5 Valve gear casing
- 6 Cylinder head

→ Disconnect the cylinder head from the valve gear casing.

→ Pull of the seal of the control piston.

→ Pull out the control valve.

→ Pull out the guide bush.

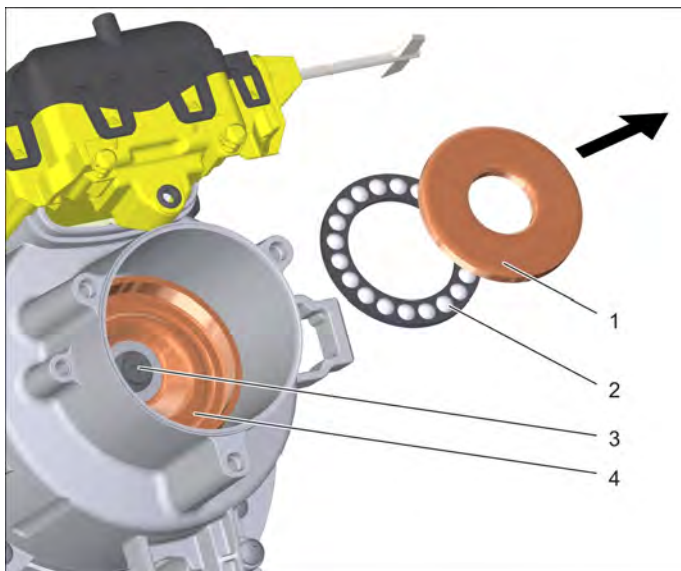
Note

Check O-rings for damage.

Check and ensure that it moves freely.

Check components for wear / damage.

AETS Uninstall / install swash plate



■ AEZK Uninstall / install cylinder head

- 1 Pressure disc
- 2 Ball bearing
- 3 Screw
- 4 Swash plate

→ Drain and collect the oil.

→ Remove pressure disc.

→ Remove ball bearing.

→ Loosen the screw.

→ Remove swash plate.

Note

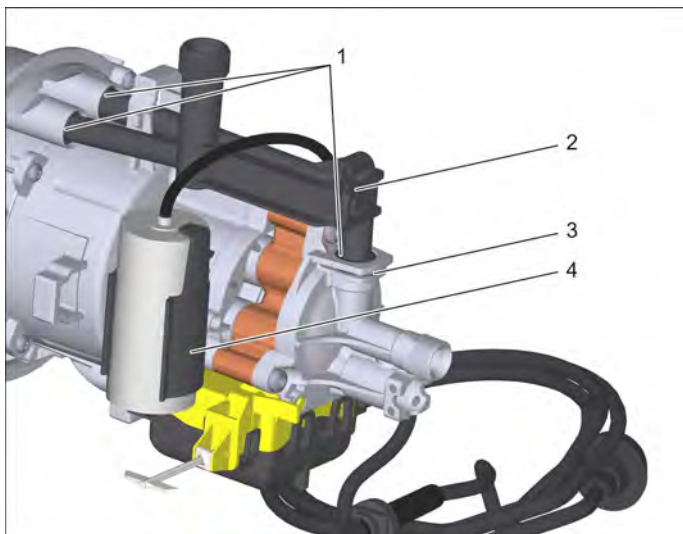
Check components for wear / damage.

Pay attention to the correct fitting position during reinstallation.

Torques	Nm
Screw	10...13

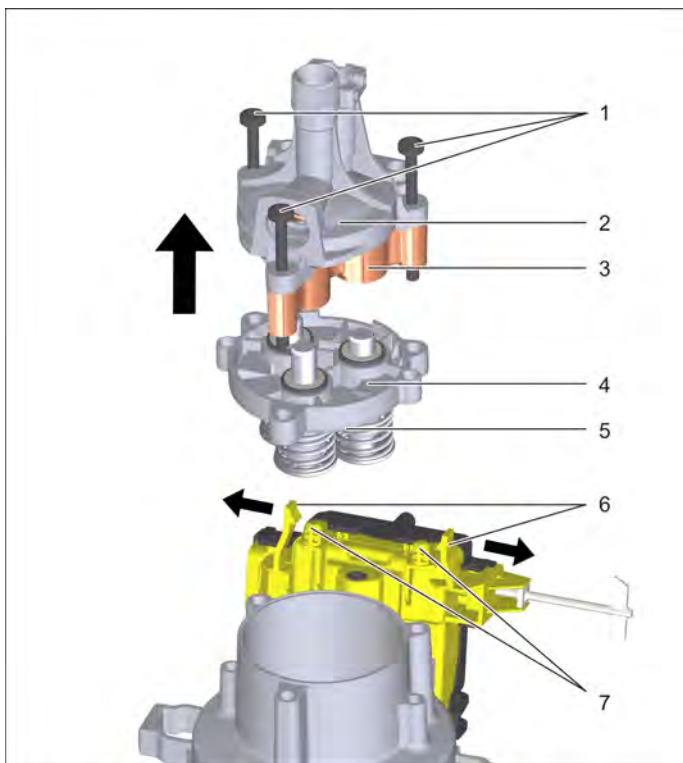
Amount of oil	ml
15W40	120

AEZK Uninstall / install cylinder head



■ ADVR Uninstall / install valve for detergent

- 1 O rings
 - 2 Water pipes
 - 3 Safety clip
 - 4 Holder capacitor
- ➔ Remove the pump motor from the chassis.
 - ➔ Unhook the holder of the capacitor.
 - ➔ Pull out the safety clip.
 - ➔ Pull out the water pipes.

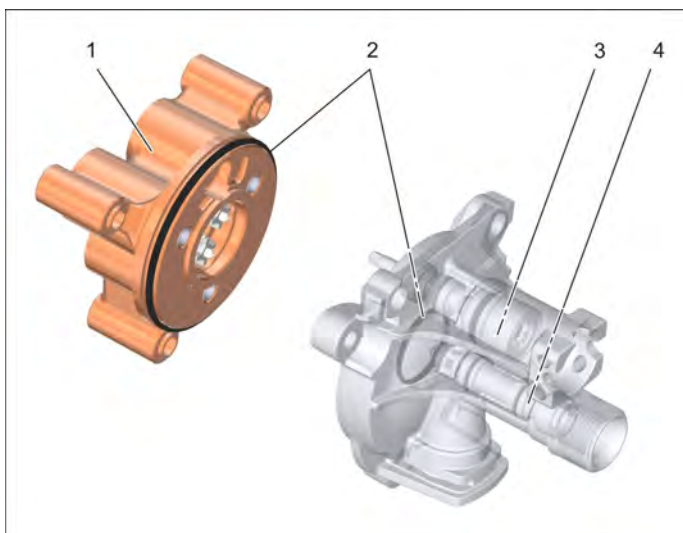


- 1 Screws
 - 2 Valve gear casing
 - 3 Cylinder head
 - 4 Piston guide
 - 5 O ring
 - 6 Retaining clip
 - 7 Pin
- ➔ Unscrew the screws.
 - ➔ Carefully pull the holding clamps outwards.
 - ➔ Remove valve gear casing with cylinder head.
 - ➔ Remove the piston guide and the piston.

Note

Check O-rings for damage.
Clean the intake and sealing areas.
Pay attention to the correct fitting position during reinstallation.

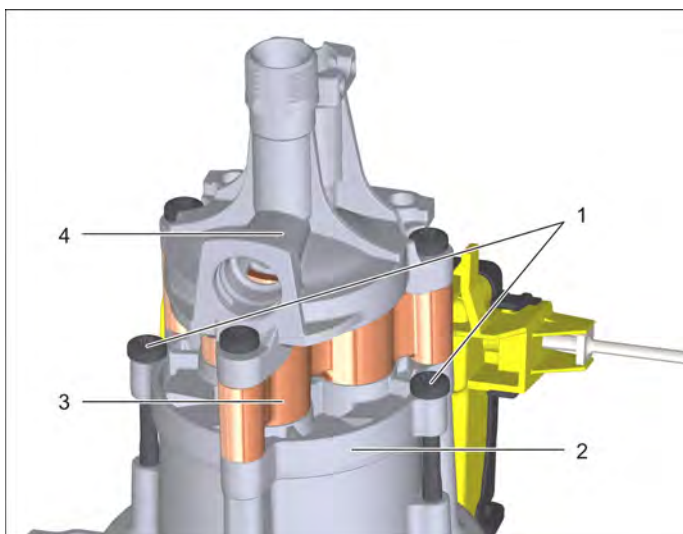
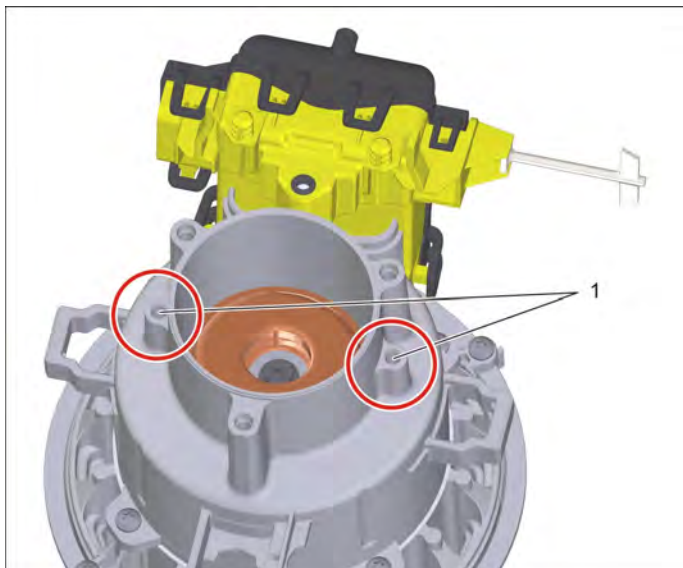
Torques	Nm
Screws	7,5...9,5



- 1 Cylinder head
 - 2 O rings
 - 3 Control valve
 - 4 Injector nozzle
- ➔ Disconnect the cylinder head from the valve gear casing.

Note

Check O-rings for damage.
Clean the intake and sealing areas.
Check control valve and injector nozzle for ease of movement, clean if necessary.
Pay attention to the correct fitting position during reinstallation.



Installation information

1 Holes

Thread a thread prior to reinstallation of the piston guide.
M6

1 Screws

2 Piston guide

3 Cylinder head

4 Valve gear casing

During later upcoming repair work on the valve gear casing or cylinder head, screws that hold down the piston guide can be screwed in.

Screw M6x30

050 Maintenance and inspection

The appliance is maintenance free.

Care

⚠ **Danger**

Risk of electric shock.

→ Turn off the appliance and remove the mains plug prior to any care and maintenance works.

Prior to longer periods of storage, e.g. in the winter:

→ Remove filter from suction hose for detergent and clean under running water.

→ Pull out the fine filter in water connection using flat-nose pliers and clean with running water.

Storing the device

Notice

Appliances and accessories that are not completely drained can be destroyed by frost.

→ Completely drain appliance and accessories and protect them against frost.

To avoid damage:

→ Completely drain all water from the appliance: Switch the appliance on with detached high pressure hose and detached water supply (max. 1 minute) and wait, until no more water exits at the high pressure connection. Turn off the appliance.

→ Store the appliance and the entire accessories in a frost free room.

060 Error diagnosis

Fault	Cause	Correction
Appliance is not running	There is no voltage in the machine.	Check whether the voltage indicated on the type plate corresponds to the voltage of the mains supply.
		Check the mains connection cable for damages.
		Release the lever of the hand spray gun; the appliance will switch on.
Pump does not run or suddenly comes to a standstill during operations	Power supply interrupted	Check fuses and electrical connections

070 Peculiarities/ others

The service group does not contain any peculiarities.

110 Replacement times

Basic work	Description	Work value
AEOK	Uninstall / install oil seal piston guide	
AEPM	Uninstalling / installing pump motor	
AESG	Uninstall / install valve gear casing	
AESH	Uninstall / install quick coupling of the high-pressure hose	
AESV	Uninstall / install control valve	
AETS	Uninstall / install swash plate	
AEZK	Uninstall / install cylinder head	

AH Service group electrics

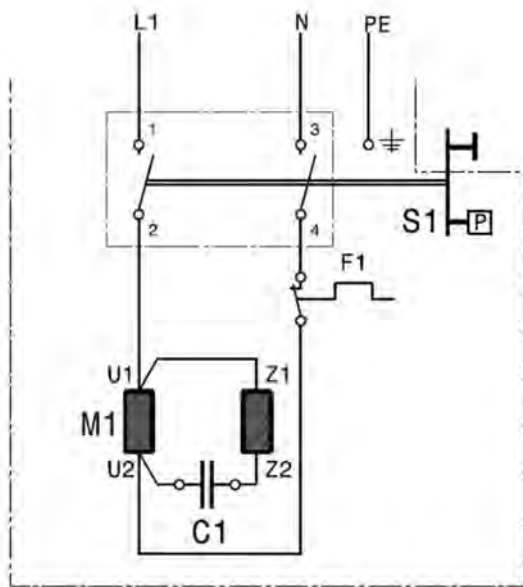
010 Safety information

⚠ Danger

Prior to all work on the appliance, switch off the appliance and pull the power plug.

020 Overview

Circuit diagram



M1	Pump motor
C1	Capacitor
S1	Power switch
F1	Thermal switch

230V 1~ 50Hz
240V 1~ 50Hz
100V 1~ 50Hz
100V 1~ 60Hz
120V 1~ 60Hz

030 Function

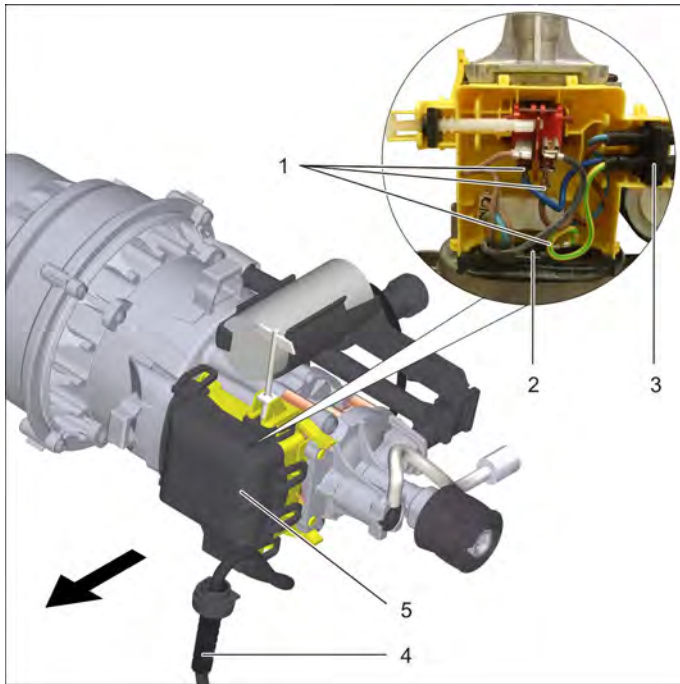
Safety devices serve to protect the user and must not be rendered in operational or their functions bypassed.

Power switch

The appliance switch prevents unintentional operation of the appliance.

040 Service activities

AHNK Uninstalling / installing mains cable



■ ABGH Uninstall / install appliance hood

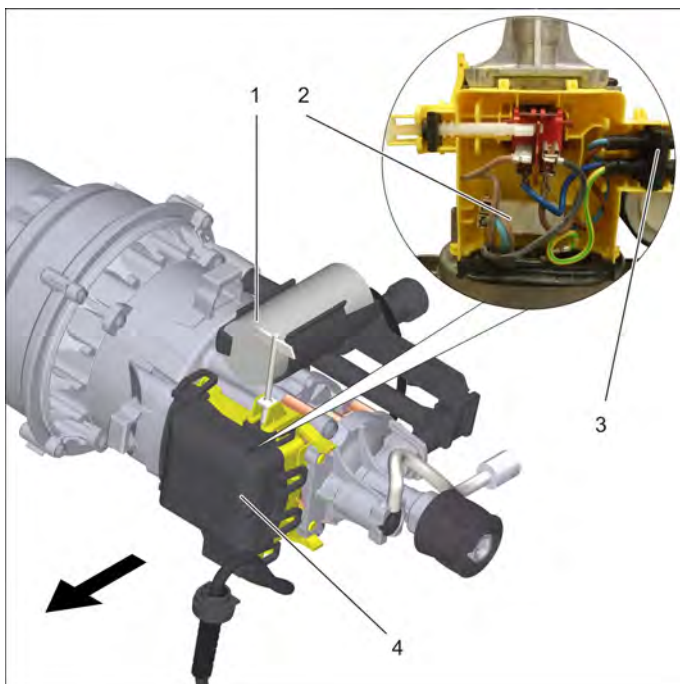
- 1 Plug connections
 - 2 Screw
 - 3 Seal
 - 4 Mains cable
 - 5 Covering lid
- Unclip casing cover.
 - Disconnect the connectors.
 - Loosen the screw.
 - Remove mains cable.

Note

Lay lines free of kinks.
Pay attention to the correct fitting position during reinstallation.

Torques	Nm
Screw	3,5...4,5

AHKS Uninstalling / installing capacitor



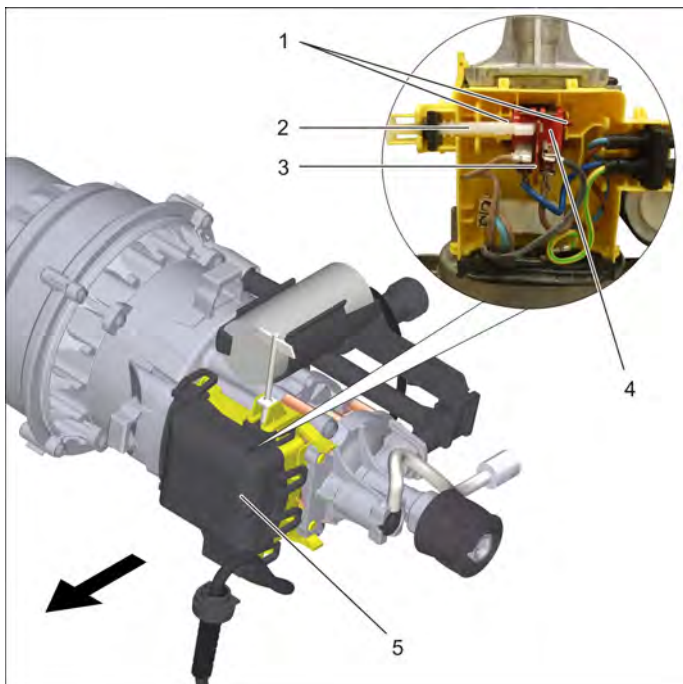
■ ABGH Uninstall / install appliance hood

- 1 Capacitor C1
 - 2 Plug connections
 - 3 Seal
 - 4 Covering lid
- Unclip casing cover.
 - Disconnect the connectors.
 - Pull the line out of the seal.
 - Remove capacitor.

Note

Pay attention to the correct fitting position during reinstallation.

AHSE Uninstall / install appliance switch



■ ABGH Uninstall / install appliance hood

- 1 Guidance
- 2 Lever appliance switch
- 3 Plug connections
- 4 Power switch S1
- 5 Covering lid

- Unclip casing cover.
- Unhook lever of appliance switch.
- Remove appliance switch.
- Disconnect the connectors.

Note

Observe the plug arrangement during installation.
Pay attention to the correct fitting position during reinstallation.

050 Maintenance and inspection

Service group does not contain any maintenance and inspection points.

060 Error diagnosis

Findings	Possible cause	Correction
Pump does not run or suddenly comes to a standstill during operations	Power supply interrupted	Check fuses and electrical connections
	Power switch	Check appliance switch.
	Power switch	Check the electrical connections.

070 Peculiarities/ others

The service group does not contain any peculiarities.

110 Replacement times

Basic work	Description	Work value
AHNK	Uninstalling / installing mains cable	
AHKS	Uninstalling / installing capacitor	
AHSE	Uninstall / install appliance switch	

Technical Documentation

Appliance type	Appliance no.	Circuit diagram	Operating instructions	Spare parts list
K 6.200	1.446-000.0 1.446-001.0	0.089-226.0	5.964-673.0 5.965-054.0	5.972-214.0
K 7.200	1.447-000.0 1.447-001.0	0.089-226.0	5.964-673.0 5.965-054.0	5.971-607.0
K 7 Compact	1.447-002.0 1.447-003.0 1.447-004.0	0.089-226.0	5.965-162.0	5.971-607.0

Technical specifications

	K 6.200	K 7.200	K 7 Compact	
Electrical connection				
Voltage		230 1~50		V Hz
Connected load	2,5	3,0	3,0	kW
Protection class		IP X5		
Protective class		I		
Mains fuse (slow-blow)		16		A
Water connection				
Max. feed pressure		0,6		MPa
Max. feed temperature		60		°C
Min. feed volume		12		l/min
Max. Suction height		1,0		m
Performance data				
Working pressure	13	15	15	MPa
Max. permissible pressure	15	16	16	MPa
Water flow rate	8,8	9,2	9,2	l/min
Recoil force of trigger gun	20	22	22	N
Detergent flow rate		0 - 0,3		l/min
Dimensions and weights				
Length		552		mm
Width		290		mm
Height		333		mm
Weight, ready to operate with accessories	17,0	18,7	19,2	kg
Values determined as per EN 60335-2-79				
Hand-arm vibration value		< 2,5		m/s ²
Uncertainty K		0,3		m/s ²
Sound pressure level L _{pA}		77		dB(A)
Uncertainty K _{pA}		3		dB(A)
Sound power level L _{WA} + Uncertainty K _{WA}	93	94	93	dB(A)

Subject to technical modifications!

*The max. flow rate is derived from the measurement without the backflow valve installed.


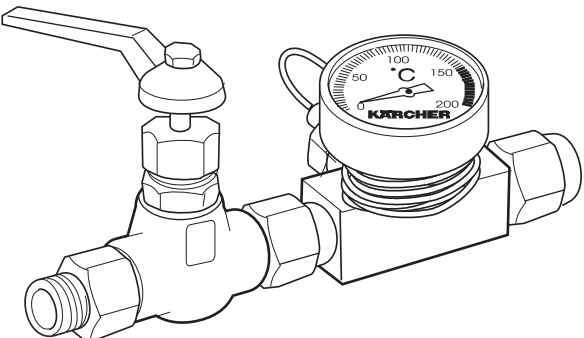
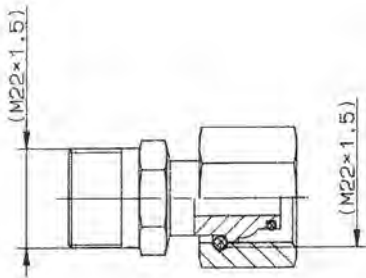
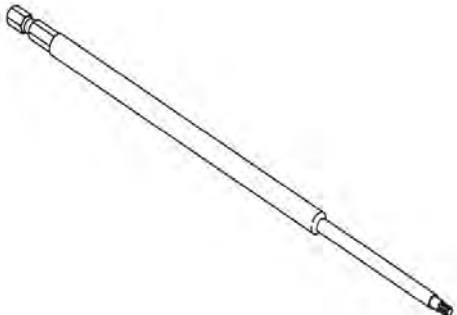
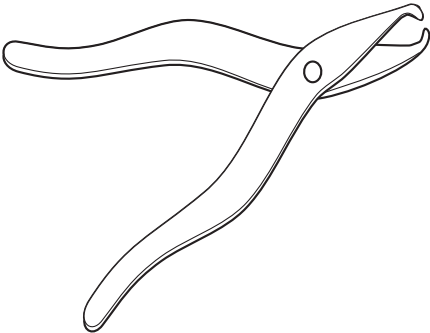
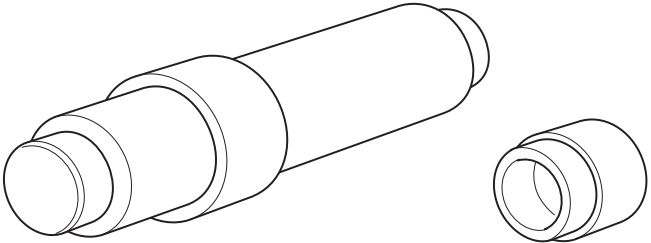
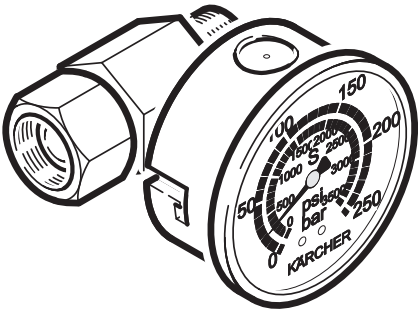
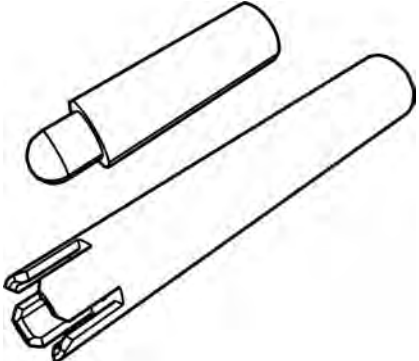
Torques

No data.

Circuit diagram

When working on the device, please always use the current circuit diagram in DISIS.

Special tools

			
<p>Electric measuring appliance</p>	<p>6.803-022.0</p>	<p>Shut-off valve with thermometer</p>	<p>2.901-030.0</p>
			
<p>Adapter system 2000, M22x1.5 with extended union nut</p>	<p>4.401-072.0</p>	<p>Screwdriver bit T15</p>	<p>6.815-150.0</p>
			
<p>Removal pliers, pressure/suction valves and water sieves</p>	<p>4.901-062.0</p>	<p>Installation mandrel oil seal, high-pressure seal</p>	<p>5.901-224.0</p>
		<p>Installation sleeve, high pressure seal</p>	<p>5.901-223.0</p>
			
<p>Test manometer for working pressure</p>	<p>4.401-072.0</p>	<p>Valve retainer and drive-in mandrel for suction valves</p>	<p>2.901-049.0</p>