

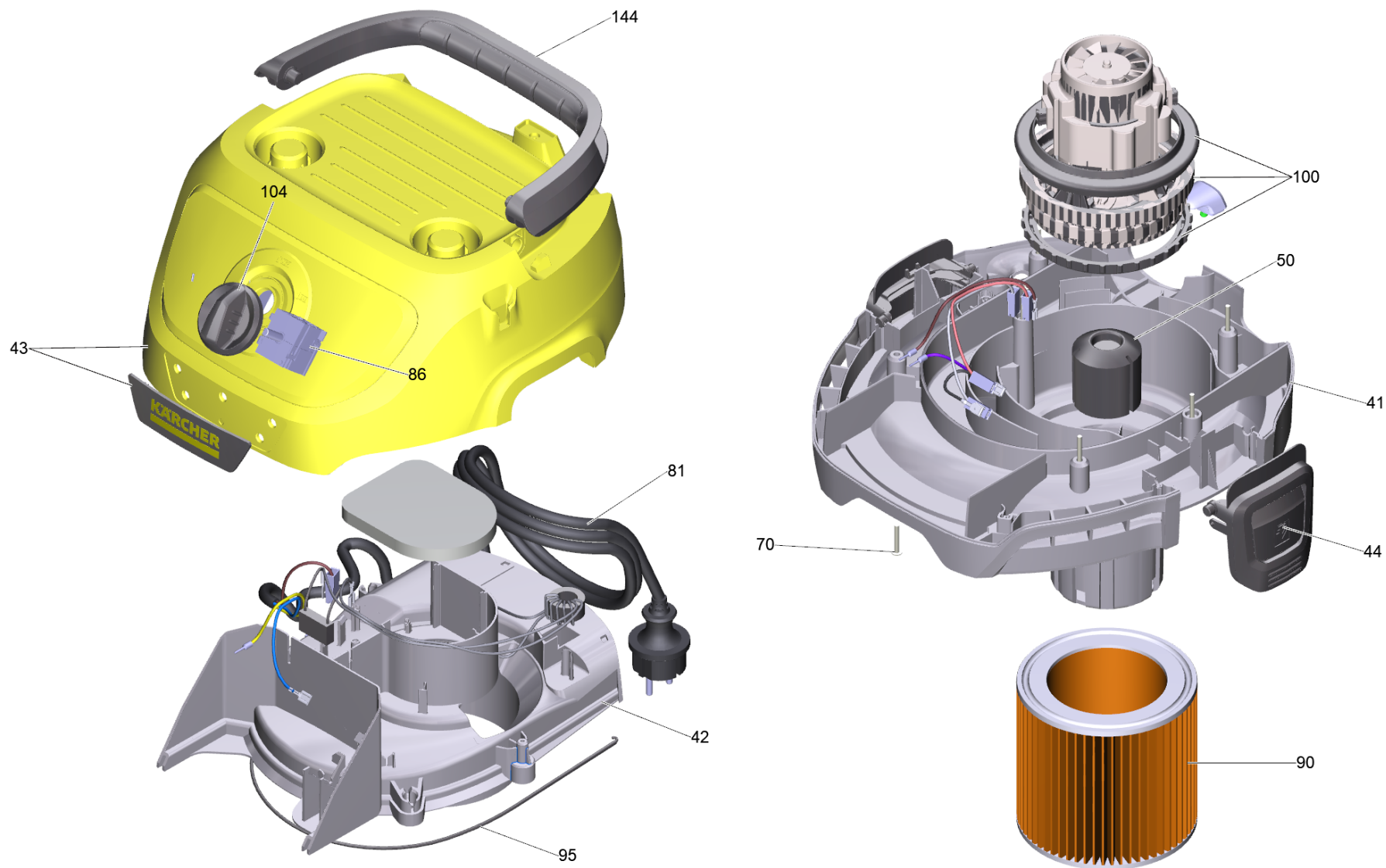
## **Spare parts list**

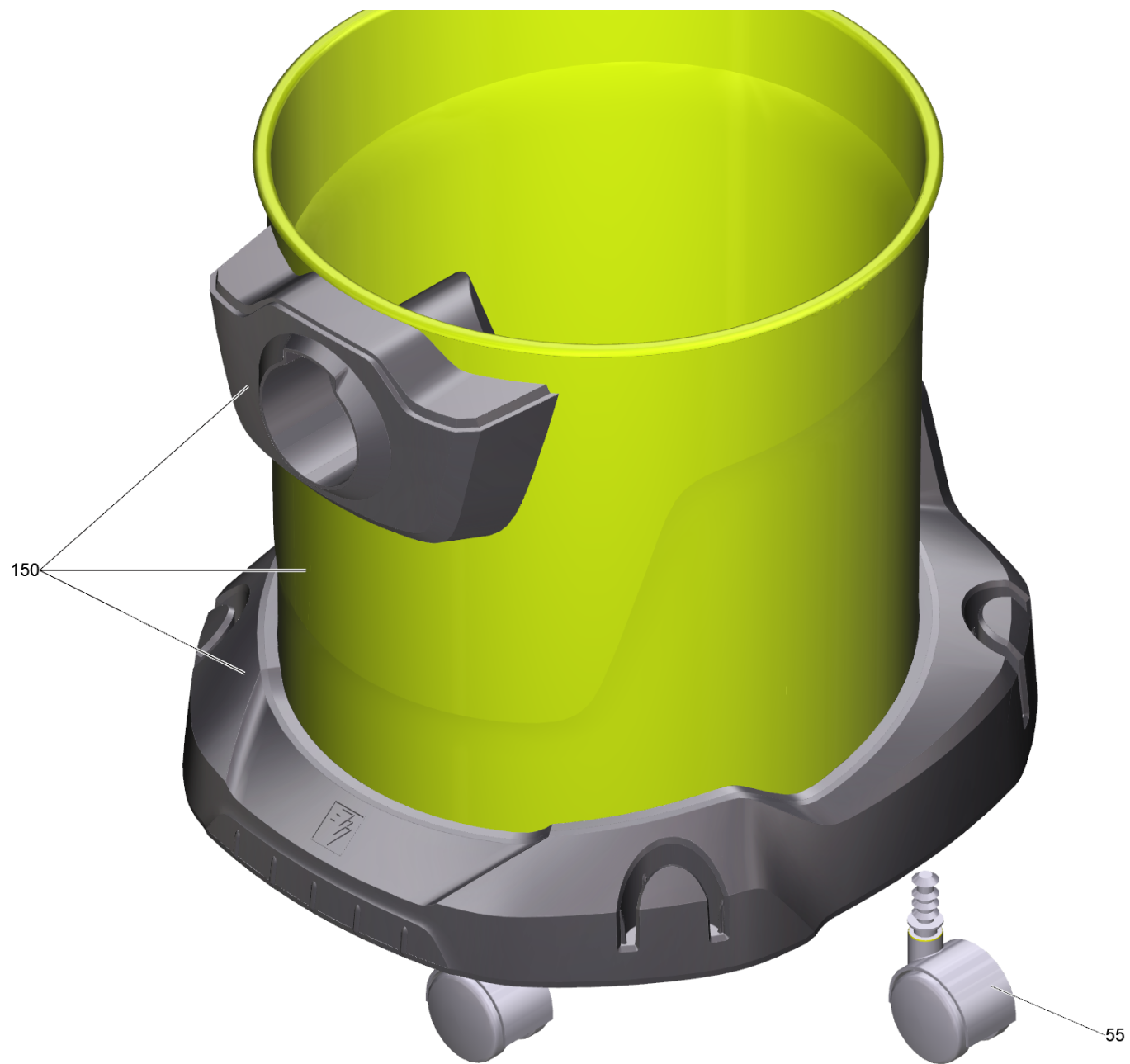
(1.628-127.0) WD 3 V-17/4/20 \*EU

## Table of contents

---

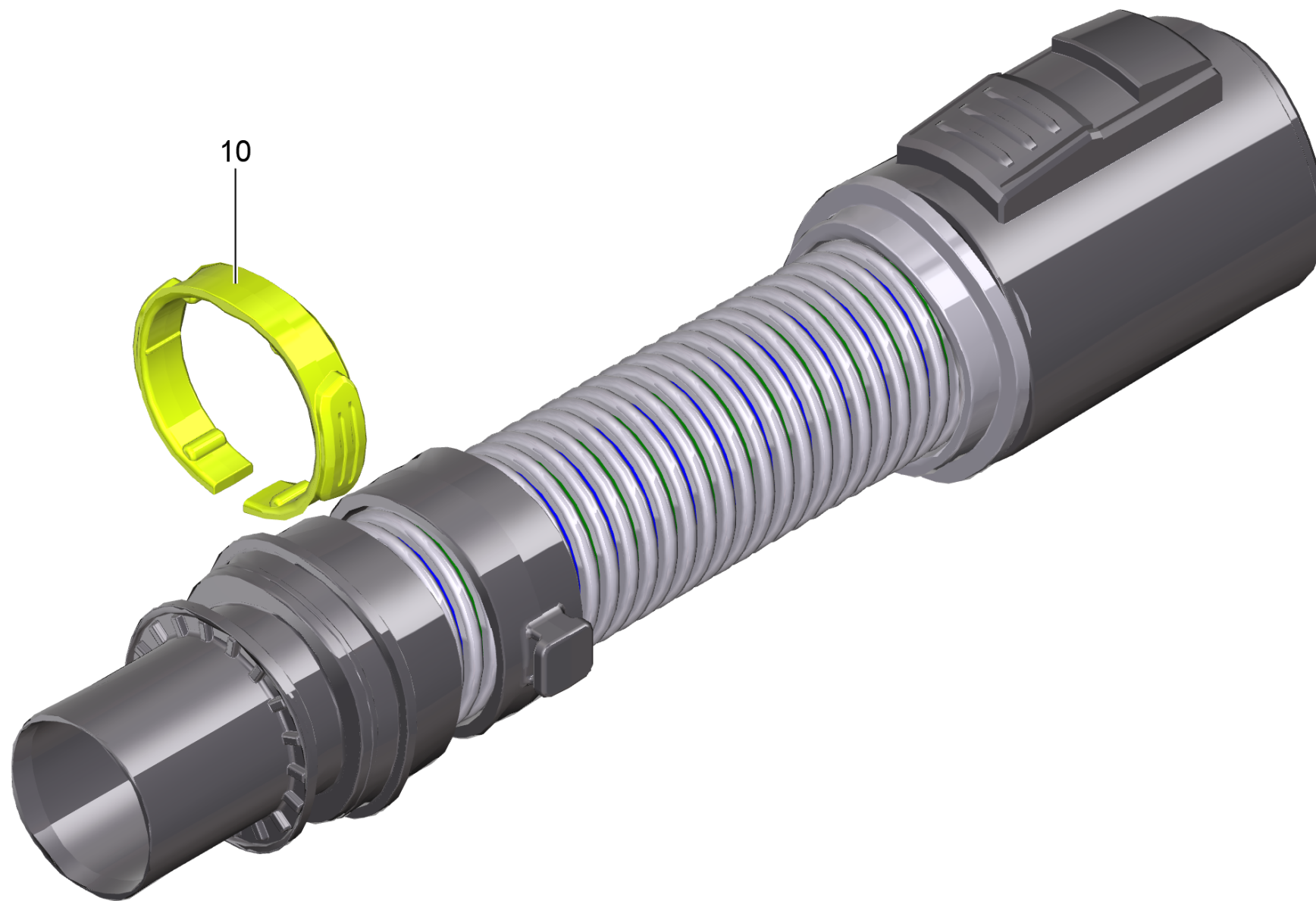
WD 3 V-17/4/20 *EU (1.628-127.0)	3
4 Suction hose complete for replacement 2,2m - without handhold (4.440-135.3)	7
4 Suction hose complete for replacement AS 3,5m WD 4-6 (4.440-140.3)	9
43 Cover complete for replacement WD 3 -Y (4.628-011.3)	11
150 Tank plastics for replacement 17L YBBY (4.628-032.0)	13
904 Vacuum kit for power tools WD 2St. (2.863-112.0)	15







POS	Article no.	Description	Quantity	Unit
42	5.628-026.3	Air circulation black for replacement WD 3	1	PC
100	4.624-431.3	Blower motor cpl. for replacement KCL 220-240V	1	PC
81	6.647-996.0	Cable with plug *EU Cable with plug	1	PC
901	2.863-316.0	Car nozzle	1	PC
90	2.863-303.0	Cartridge filter WD/SE	1	PC
55	6.435-353.0	Castor D 42	4	PC
44	5.628-086.3	Closure black for replacement WD 2/3	2	PC
905	9.048-061.0	Connecting sleeve	1	PC
43	4.628-011.3	Cover complete for replacement WD 3 -Y	1	PC
8	6.900-385.0	Crevice nozzle DN35	1	PC
900	2.863-306.0	Crevice nozzle extra long WD	1	PC
906	2.863-234.0	Drill Dust Catcher WD	1	PC
903	2.863-305.0	Extension suction hose 3,5m	1	PC
5	2.863-308.0	Extension suction tube WD ID 35	2	PC
3	2.863-314.0	Filter bag fleece WD 2 Plus/WD 3/SE 4St	1	PC
50	5.628-013.3	Floater	1	PC
9	4.629-013.0	Floor tool clip packaged	1	PC
908	2.863-012.0	Hand grip suction hose	1	PC
144	5.628-032.3	Handhold black for replacement	1	PC
104	5.628-014.3	Handle black for replacement	1	PC
903	4.441-068.0	Hose extension packaged 1,5 m	1	PC
10	4.629-014.0	Insert wet floor nozzle packaged	1	PC
10	4.629-016.0	Mixing insert floor nozzle packaged	1	PC
41	5.628-009.3	Motor bracket black for replacement	1	PC
86	6.630-984.3	Rotary switch for replacement Marquardt (on/off)	1	PC
70	9.086-221.0	Screw ATF 4.1x22	7	PC
95	5.628-011.0	Sealing motor bracket	1	PC
902	2.863-221.0	Suction brush kit WD 2pc.	1	PC
4	4.440-135.3	Suction hose complete for replacement 2,2m - without handhold	1	PC
4	4.440-140.3	Suction hose complete for replacement AS 3,5m WD 4-6	1	PC
150	4.628-032.0	Tank plastics for replacement 17L YBBY	1	PC
904	2.863-112.0	Vacuum kit for power tools WD 2St.	1	PC
907	2.863-000.0	Wet and dry nozzle switchable WD/SE	1	PC



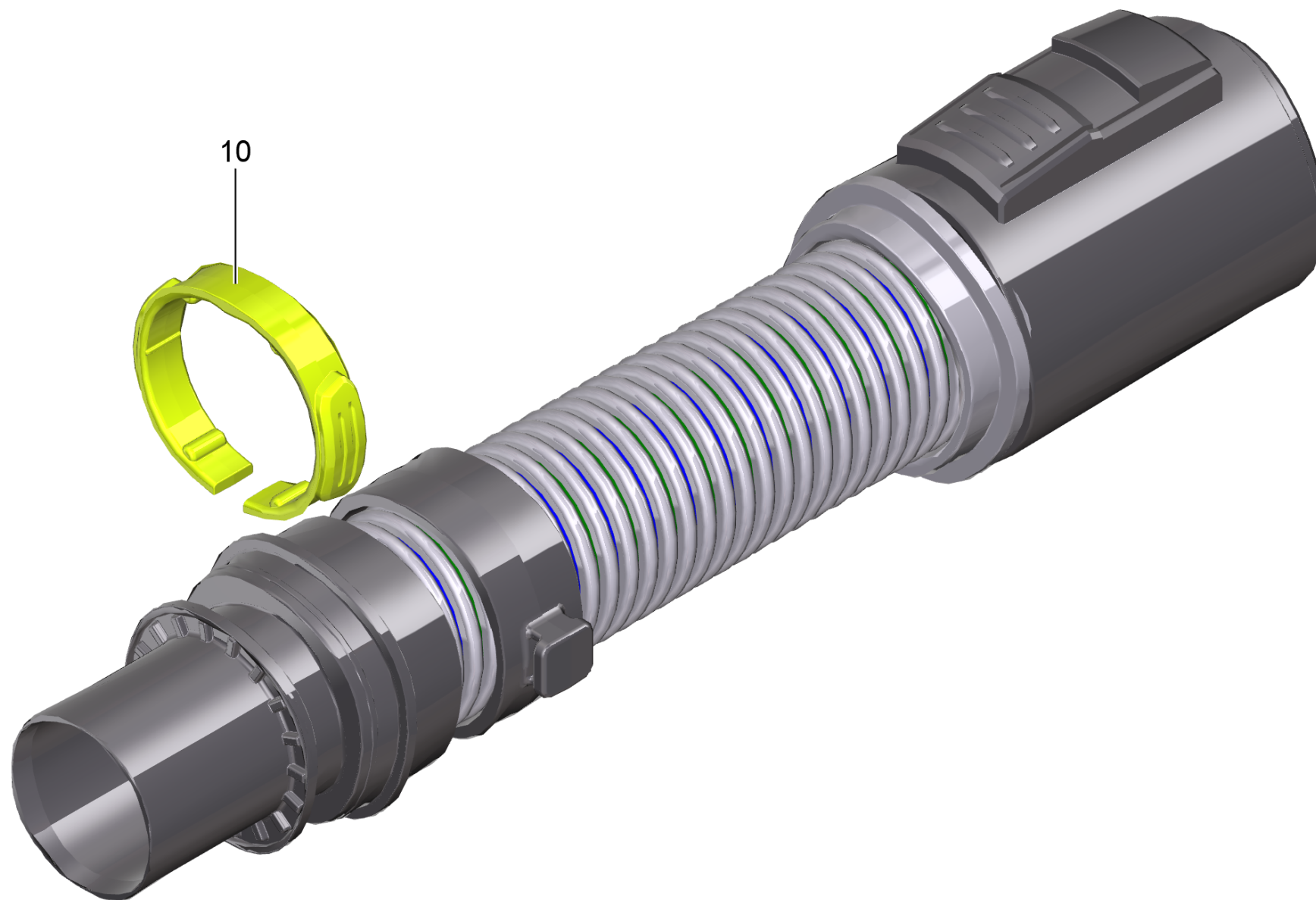
4 Suction hose complete for replacement 2,2m - without handhold (4.440-135.3)

---

POS	Article no.	Description	Quantity	Unit
10	6.645-688.0	Spring washer suction hose	1	PC

---



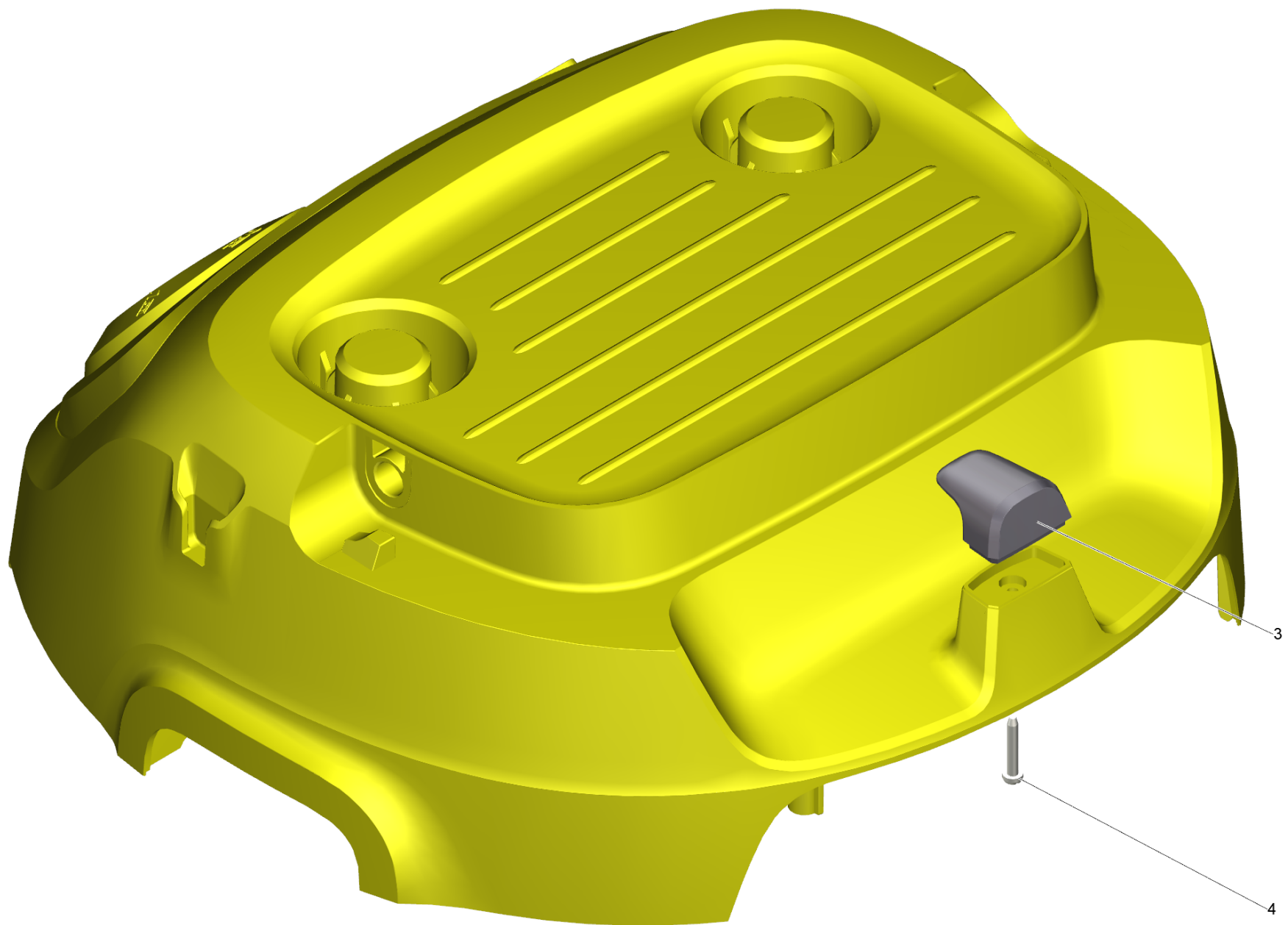


4 Suction hose complete for replacement AS 3,5m WD 4-6 (4.440-140.3)

---

POS	Article no.	Description	Quantity	Unit
10	6.645-688.0	Spring washer suction hose	1	PC

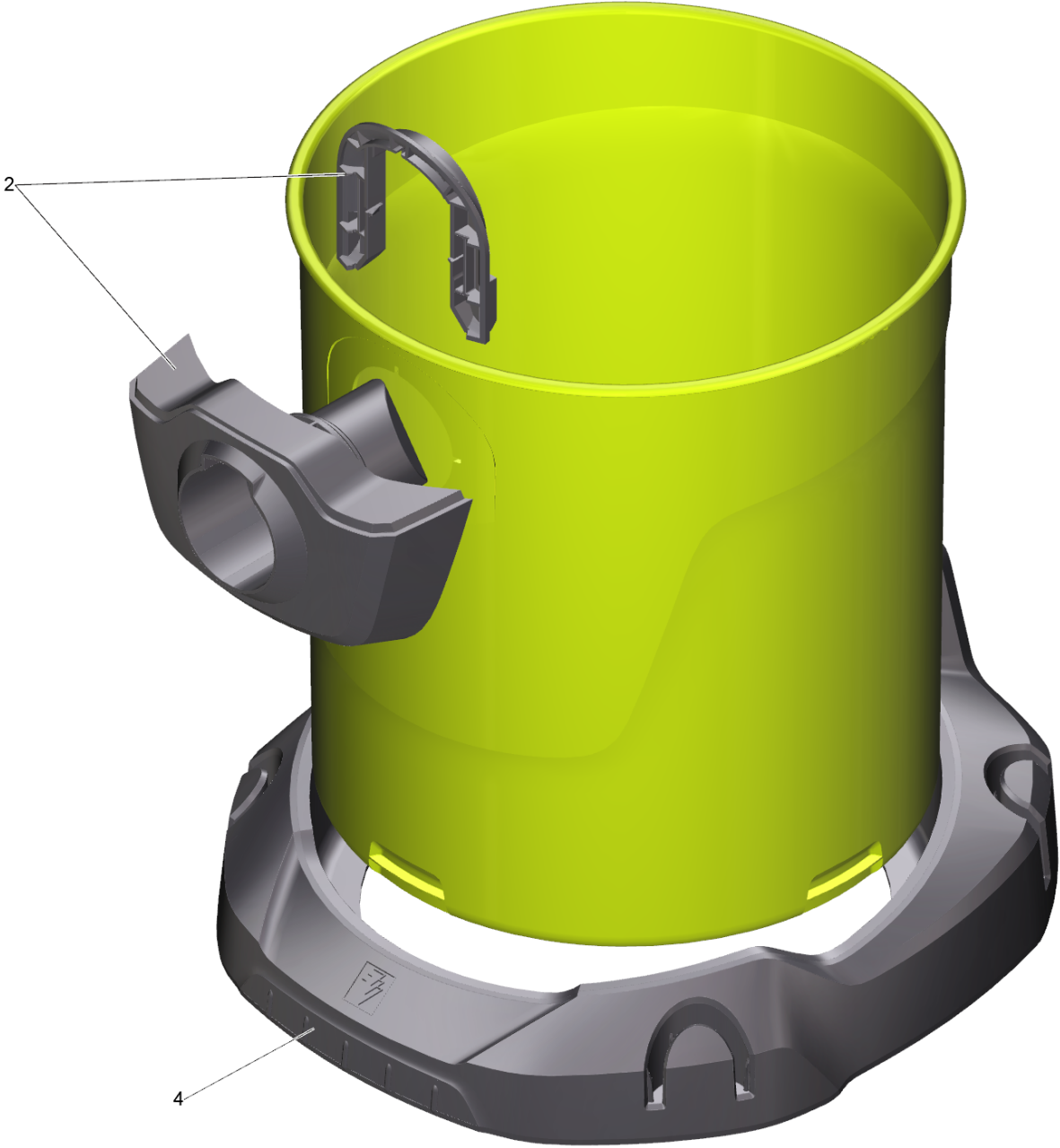
---



43 Cover complete for replacement WD 3 -Y (4.628-011.3)

---

<b>POS</b>	<b>Article no.</b>	<b>Description</b>	<b>Quantity</b>	<b>Unit</b>
3	5.628-044.3	Catch for cable for replacement yellow WD 3	1	PC
4	6.633-534.0	Oval head screw with Kombi-Torx 3x18	1	PC



150 Tank plastics for replacement 17L YBBY (4.628-032.0)

---

<b>POS</b>	<b>Article no.</b>	<b>Description</b>	<b>Quantity</b>	<b>Unit</b>
4	5.628-005.3	Ram protection box for replacement Y	1	PC
2	2.885-852.0	Set suction connection packaged	1	PC

904 Vacuum kit for power tools WD 2St. (2.863-112.0)

---

POS	Article no.	Description	Quantity	Unit
10	9.048-061.0	Connecting sleeve	1	PC