

Spare parts list

(1.524-980.0) HD 8/18-4 M St *EU

Table of contents

HD 8/18-4 M St *EU (1.524-980.0)	3
Spare parts list HD module 8/18-4 P	4
20 Unit HD 8/18-4 M St	6
10 Pump set HD 8/18-4 M *EU (D145)	8
1 Thrust guidance complete HD-M TK48 D18	10
3 Set motor complete HD 8/18-4 M *EU (4.100-765.3)	12
1 Motor complete HD 8/18-4 M *EU (D145)	14
4 Cylinder head complete HD-M TK48 D18 Servo	16
3 Water intake complete	18
10 Valve screw (4.483-001.0)	20
60 Cable 1,5x220-SW	22
61 Cable 1,5x250-SW	23
900 Pump set HD-M (2.883-074.0)	24
1 Valve (3 Stueck) (2.884-512.0)	26
9 Valve complete (4.580-594.0)	28
32 Set cover for replacement HD-M (4.100-632.0)	30

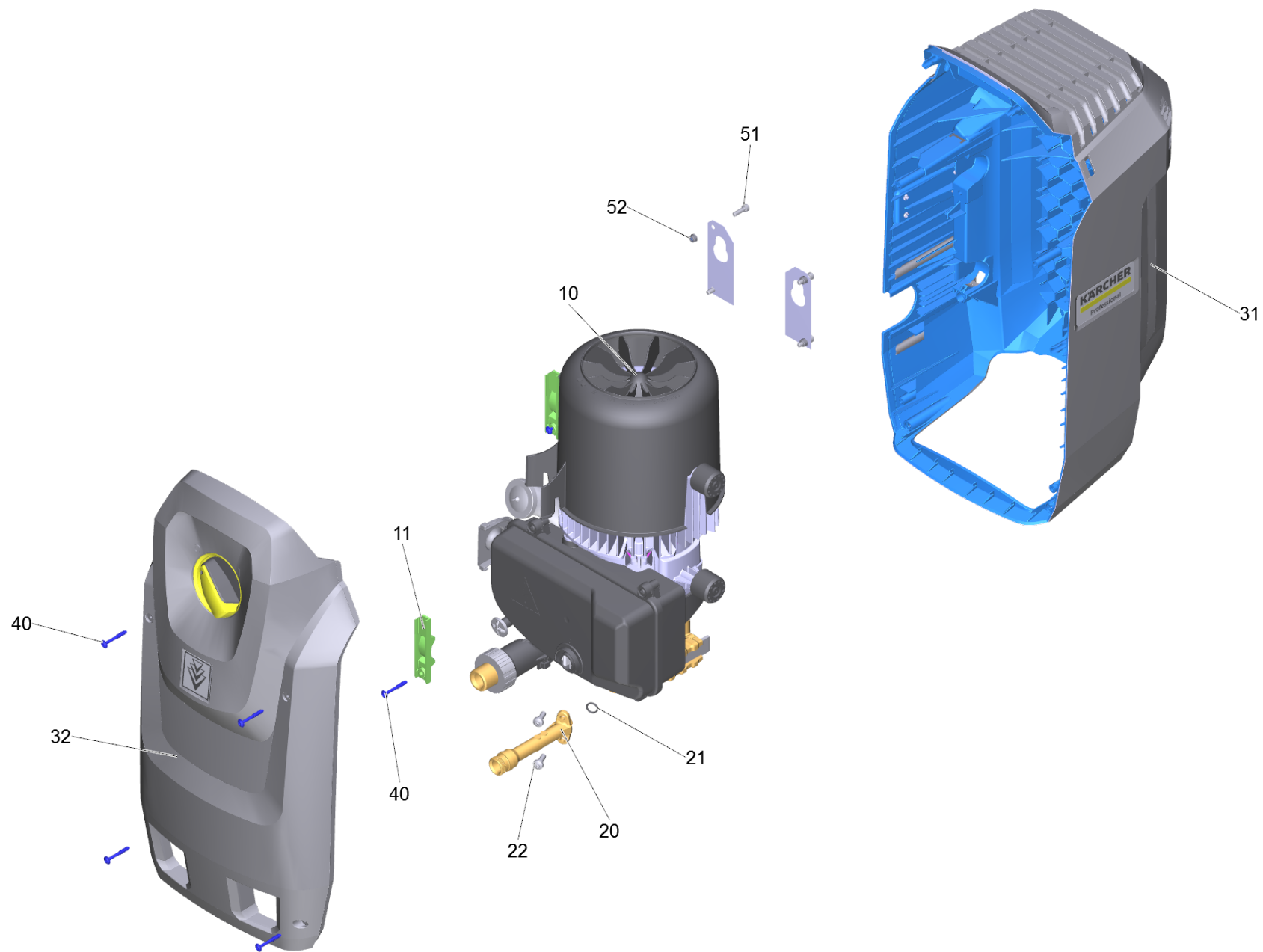
HD 8/18-4 M St *EU (1.524-980.0)

POS	Description	Quantity	Unit
0	Spare parts list HD module 8/18-4 P	1	PC



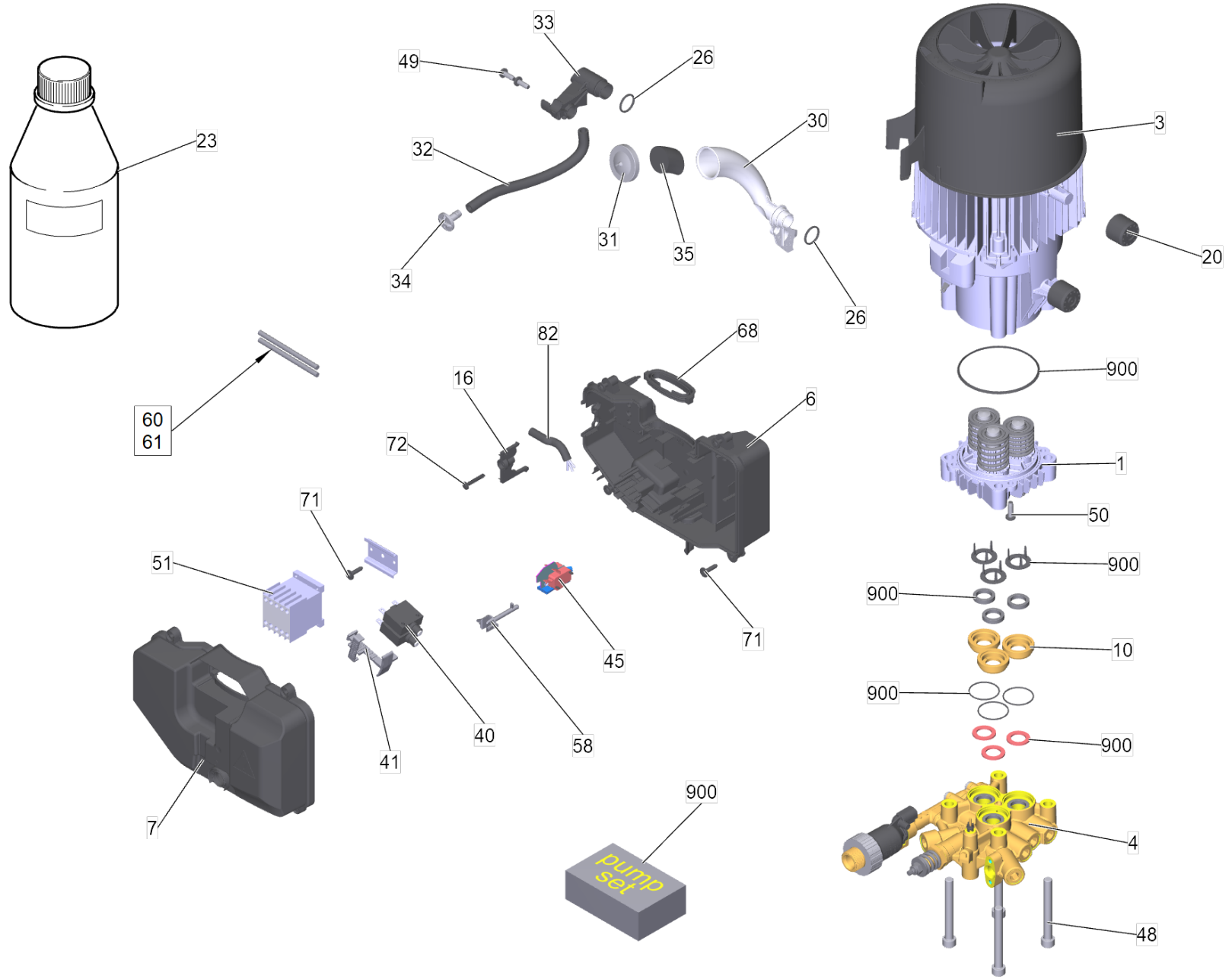
Spare parts list HD module 8/18-4 P

POS	Article no.	Description	Quantity	Unit
6	5.387-620.0	Warning sign new	1	PC
20		Unit HD 8/18-4 M St	1	PC
26	4.111-049.0	Adapter wall bracket completely	1	PC



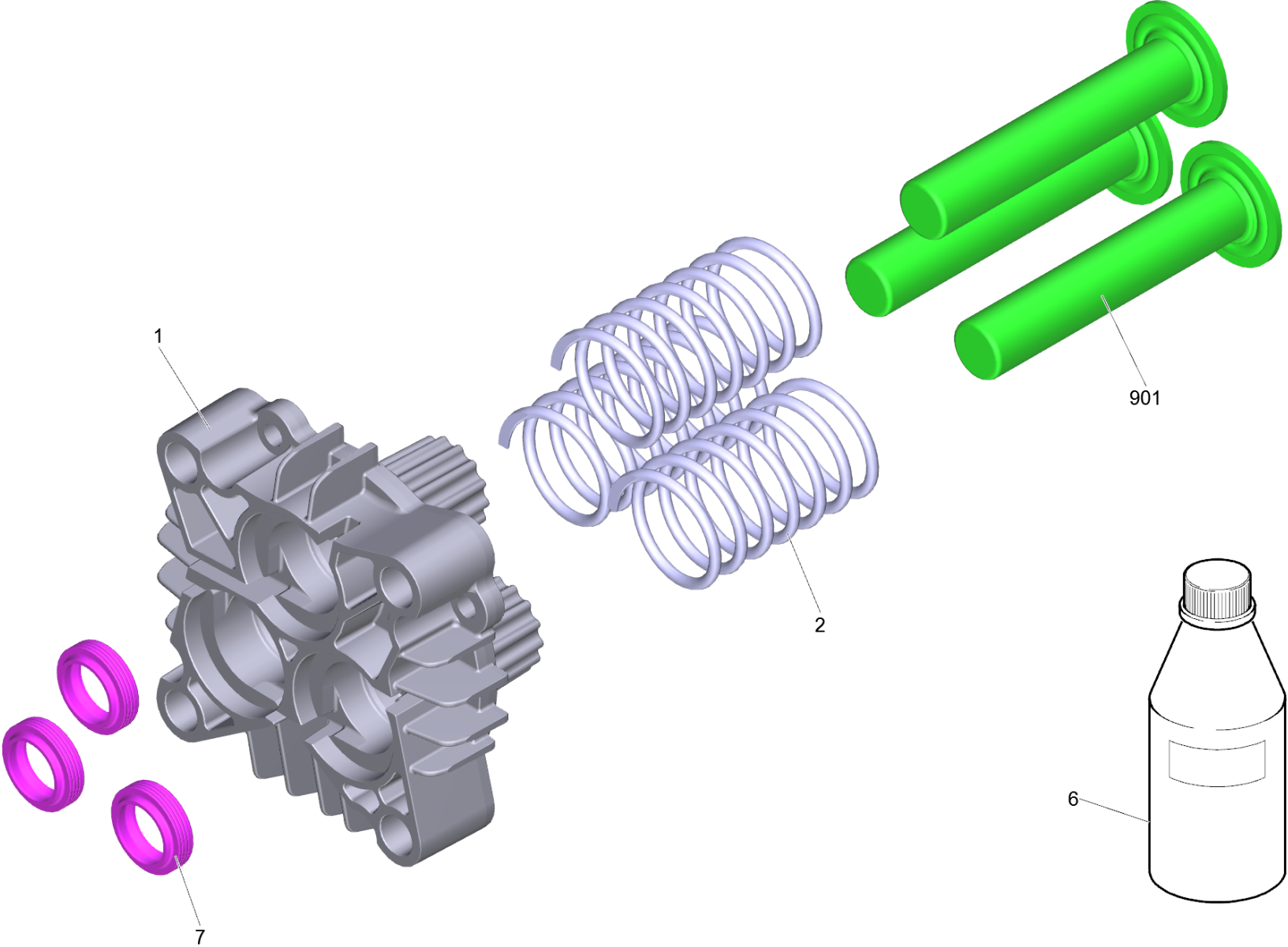
20 Unit HD 8/18-4 M St

POS	Article no.	Description	Quantity	Unit
10		Pump set HD 8/18-4 M *EU (D145)	1	PC
11	5.802-288.0	Mounting part	2	PC
20	5.789-077.0	High-pressure outlet Tr22	1	PC
21	6.362-151.0	O-Ring d. 10 x 2 NBR 70	1	PC
22	7.306-090.0	Screw M6x16 -8.8-P2R (In6Rd)	2	PC
31	4.100-637.0	Set housing for replacement	1	PC
32	4.100-632.0	Set cover for replacement HD-M	1	PC
40	6.961-049.0	Screw	6	PC
51	7.306-077.0	Screw M5x16 -8.8-R2R (In6Rd)	4	PC
52	7.311-421.0	Hexagon nut M 5-04-A2E DIN 985	4	PC



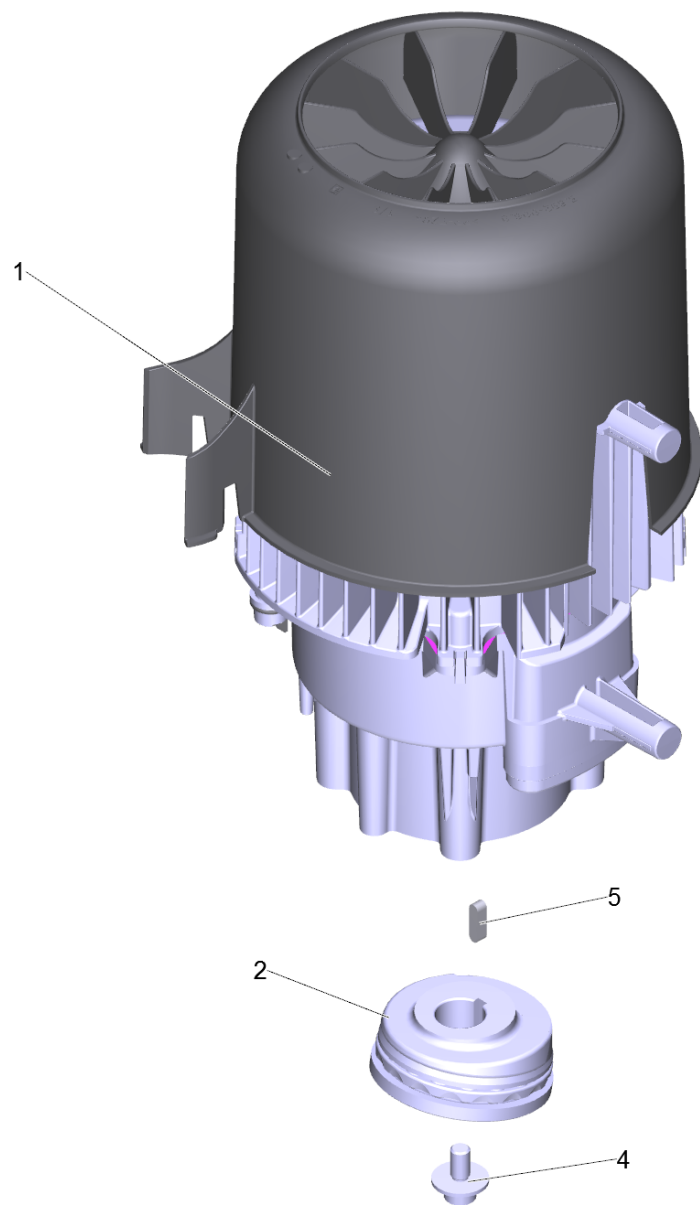
10 Pump set HD 8/18-4 M *EU (D145)

POS	Article no.	Description	Quantity	Unit
1		Thrust guidance complete HD-M TK48 D18	1	PC
3	4.100-765.3	Set motor complete HD 8/18-4 M *EU	1	PC
4		Cylinder head complete HD-M TK48 D18 Servo	1	PC
6	5.811-001.0	Electric box	1	PC
7	5.064-089.0	Cover electric box	1	PC
10	5.112-031.0	Bush	3	PC
16	5.263-003.0	Tensioning part	1	PC
20	5.767-005.0	Rubber buffer	4	PC
23	6.288-016.0	Gear oil 1L	1	PC
26	6.362-161.0	O-Ring seal 19,3 X 2,4	2	PC
30	5.070-176.0	Oil container	1	PC
31	5.064-457.0	Cover plate qusty grey oil	1	PC
32	6.389-610.0	Hose fuel	205	m
33	5.443-029.0	Hose stem drain hose oil	1	PC
34	5.443-030.0	Blind plug drain hose oil	1	PC
35	5.132-187.0	Plug	1	PC
40	6.630-994.3	Safety switch (15A)	2	PC
41	5.045-071.0	Slider E-T-A	1	PC
45	6.961-079.3	Micro switch	1	PC
48	7.306-807.0	Cylinder head screw M10x85-8.8-A3E ISO 4762	4	PC
49	7.303-047.0	Screw M6x16 -St-R3R (In6Rd)	2	PC
50	7.303-048.0	Screw M6x20 -St-R3R (In6Rd)	2	PC
51	6.632-173.0	Contactactor 4,0KW/400V	1	PC
58	5.045-064.0	Selector shaft electric box 57mm	1	PC
60		Cable 1,5x220-SW	3	PC
61		Cable 1,5x250-SW	2	PC
68	5.363-761.0	Seal label	1	PC
71	6.303-125.0	Screw 5x20-Sonder In6Rd+Spitze	5	PC
72	7.303-086.0	Screw 5x30 -10.9-R2R (K-In6Rd)	1	PC
82	6.650-656.3	Cable with plug for replacement *EU	1	PC
900	2.883-074.0	Pump set HD-M	1	PC



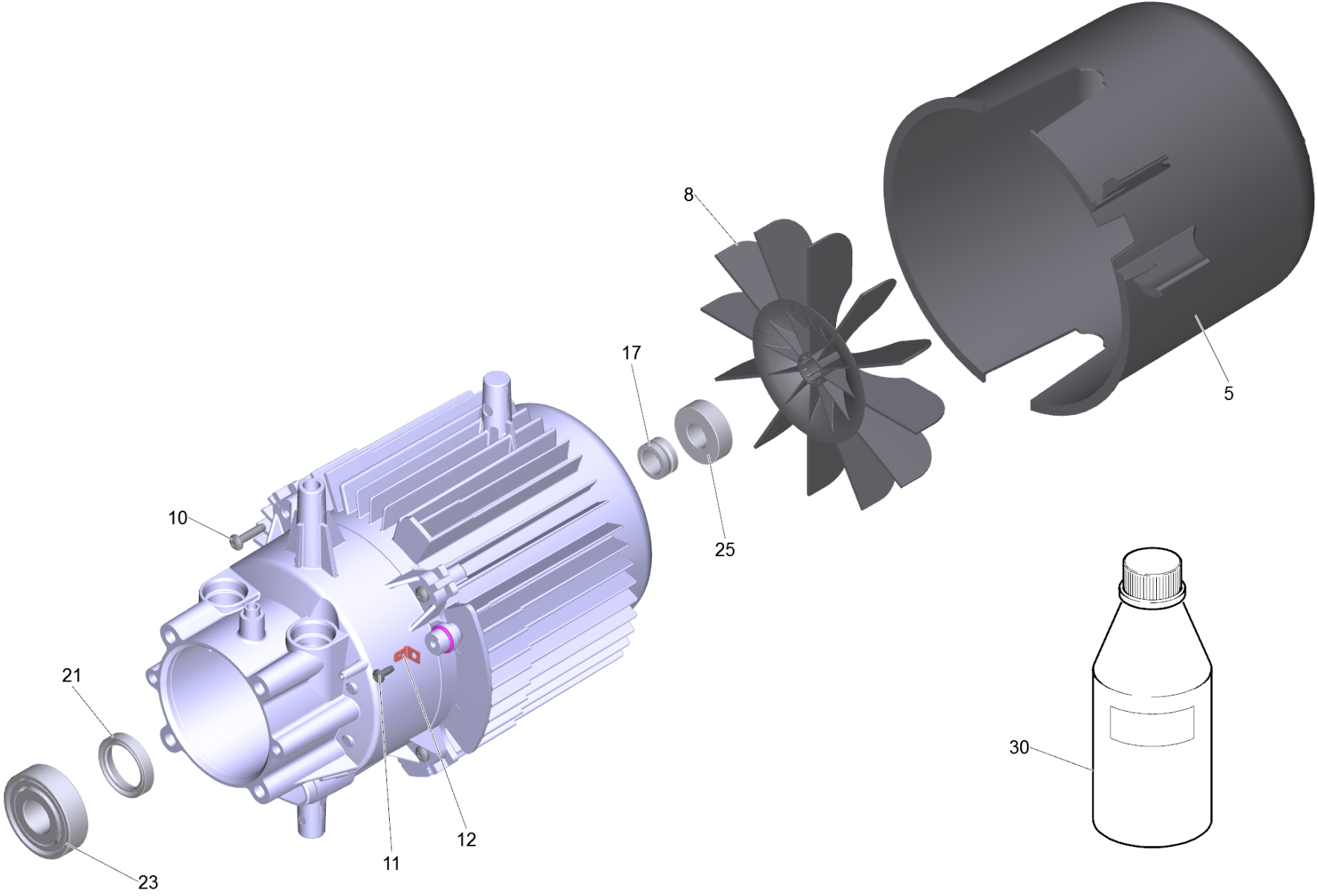
1 Thrust guidance complete HD-M TK48 D18

POS	Article no.	Description	Quantity	Unit	Foot note text
1	5.093-060.3	Thrust guidance for replacement HD-M TK48 D18	1	PC	
2	5.332-529.0	Helical spring	3	PC	
6	6.288-050.0	Engine oil 1L	1	PC	ASSEMBLING AID
7	6.365-334.0	Grooved ring 18X26X6/8	3	PC	
901	4.100-645.0	Set piston complete	3	PC	



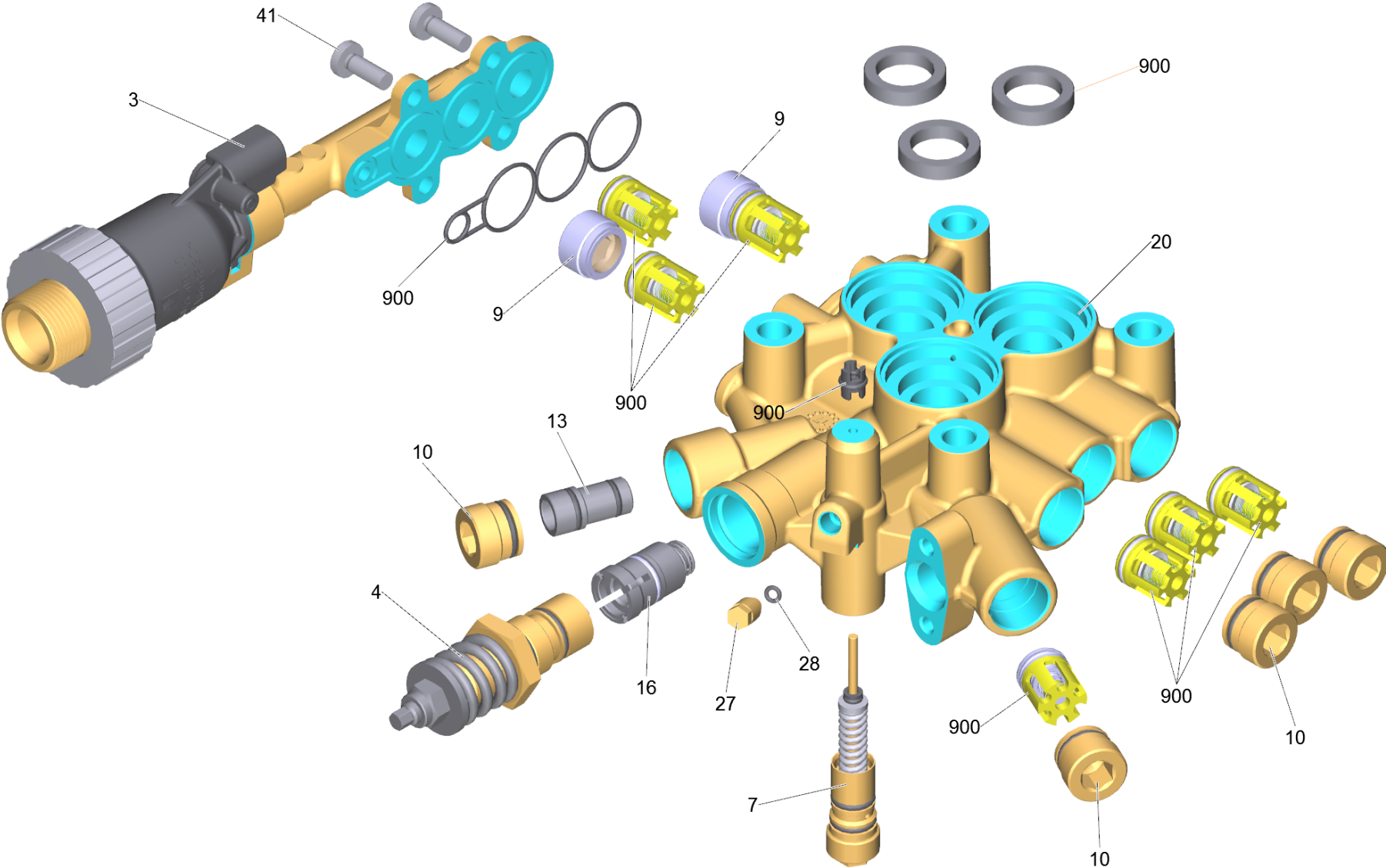
3 Set motor complete HD 8/18-4 M *EU (4.100-765.3)

POS	Article no.	Description	Quantity	Unit
1		Motor complete HD 8/18-4 M *EU (D145)	1	PC
2	4.120-214.0	Wobble plate	1	PC
4	9.086-169.0	Wobble plate screw M8x16	1	PC
5	7.318-070.0	Parallel key 5x5x20-C45K DIN 6885-1	1	PC
901	2.100-052.0	Special tool motor HD-M	1	PC



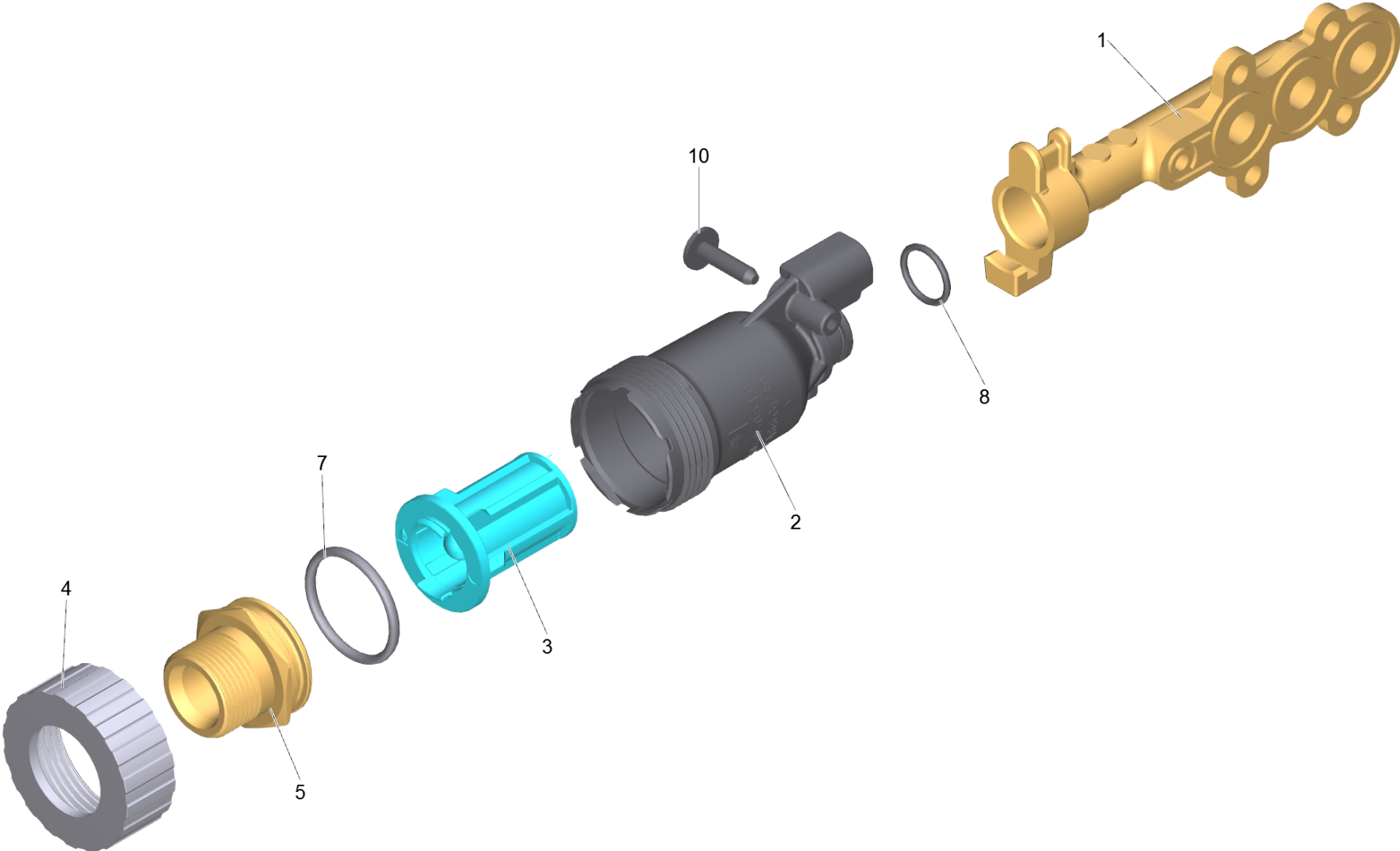
1 Motor complete HD 8/18-4 M *EU (D145)

POS	Article no.	Description	Quantity	Unit	Foot note text
5	5.692-004.0	Air circulation D145	1	PC	
8	5.600-029.0	Blower wheel	1	PC	
10	7.306-385.0	Screw M8x20 -8.8-R3R ISO 14583	4	PC	
11	7.303-031.0	Screw M4x10 -St-P2R (In6Rd)	1	PC	
12	6.641-239.0	Tab	1	PC	
17	6.343-178.0	Tolerance ring	1	PC	
21	7.367-156.0	Radial shaft seal ring A30x40x7-NBR DIN	1	PC	
23	6.401-396.3	Taper roller bearing for replacement 31305	1	PC	
25	6.401-285.3	Ball bearing 6204 2RS	1	PC	
30	6.288-050.0	Engine oil 1L	1	PC	ASSEMBLING AID



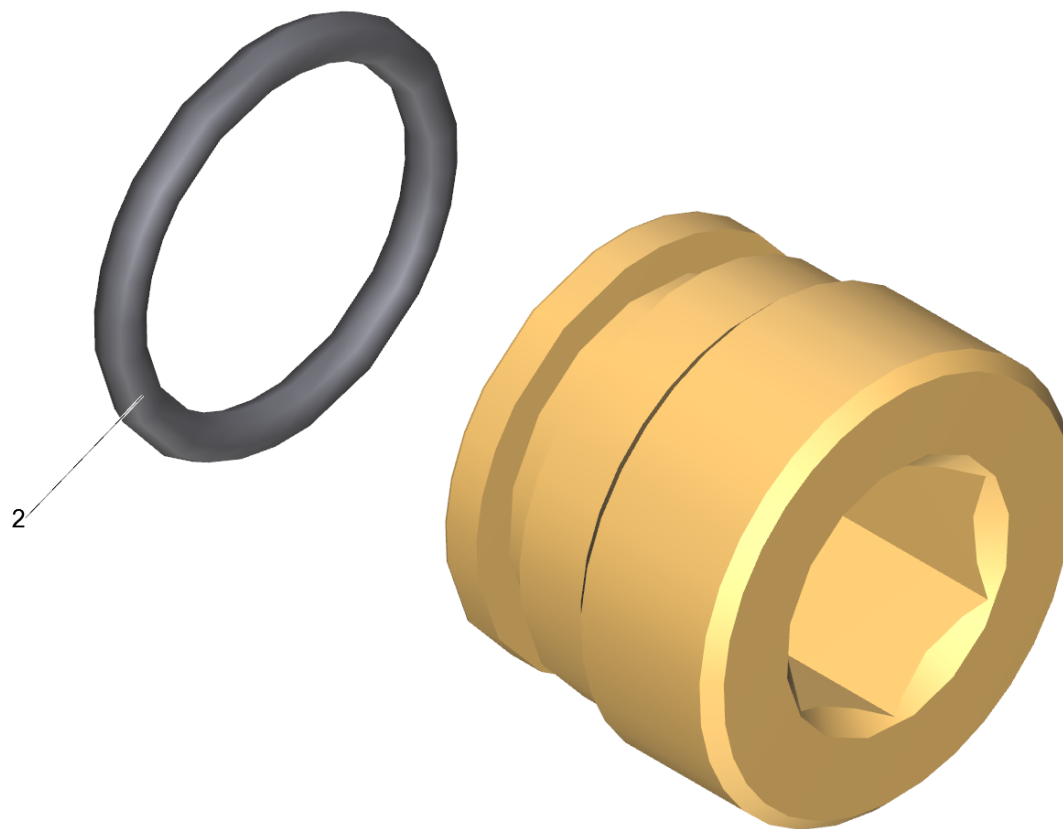
4 Cylinder head complete HD-M TK48 D18 Servo

POS	Article no.	Description	Quantity	Unit
3		Water intake complete	1	PC
4	4.580-033.3	Overflow valve complete for replacement Servo	1	PC
7	4.580-104.3	Control piston complete D14	1	PC
9	5.583-023.0	Valve screw M20x1 SW12	2	PC
10	4.483-001.0	Valve screw	5	PC
13	4.580-135.3	Valve pressure reduction complete D2,2	1	PC
16	4.100-640.0	Set valve Servo	1	PC
20	5.550-017.3	Cylinder head for replacement HD-M Servo	1	PC
27	5.443-024.3	Plug for replacement	1	PC
28	6.362-984.0	O-Ring d. 3 x 1,5 NBR 80	1	PC
41	7.306-090.0	Screw M6x16 -8.8-P2R (In6Rd)	4	PC
900		Part at pump set	1	PC



3 Water intake complete

POS	Article no.	Description	Quantity	Unit
1	5.064-496.3	Inlett fitting for replacement	1	PC
2	5.045-248.0	Water intake straight	1	PC
3	5.731-059.0	Filter cartridge with cone (mesh 100)	1	PC
4	5.064-465.0	Nut water intake	1	PC
5	5.064-517.0	Connection piece water intake G 3/4 A	1	PC
7	6.363-437.0	O-Ring seal 30x3	1	PC
8	6.362-481.0	O-Ring seal 14,0 x 2,0 NBR 80	1	PC
10	6.303-125.0	Screw 5x20-Sonder In6Rd+Spitze	1	PC



10 Valve screw (4.483-001.0)

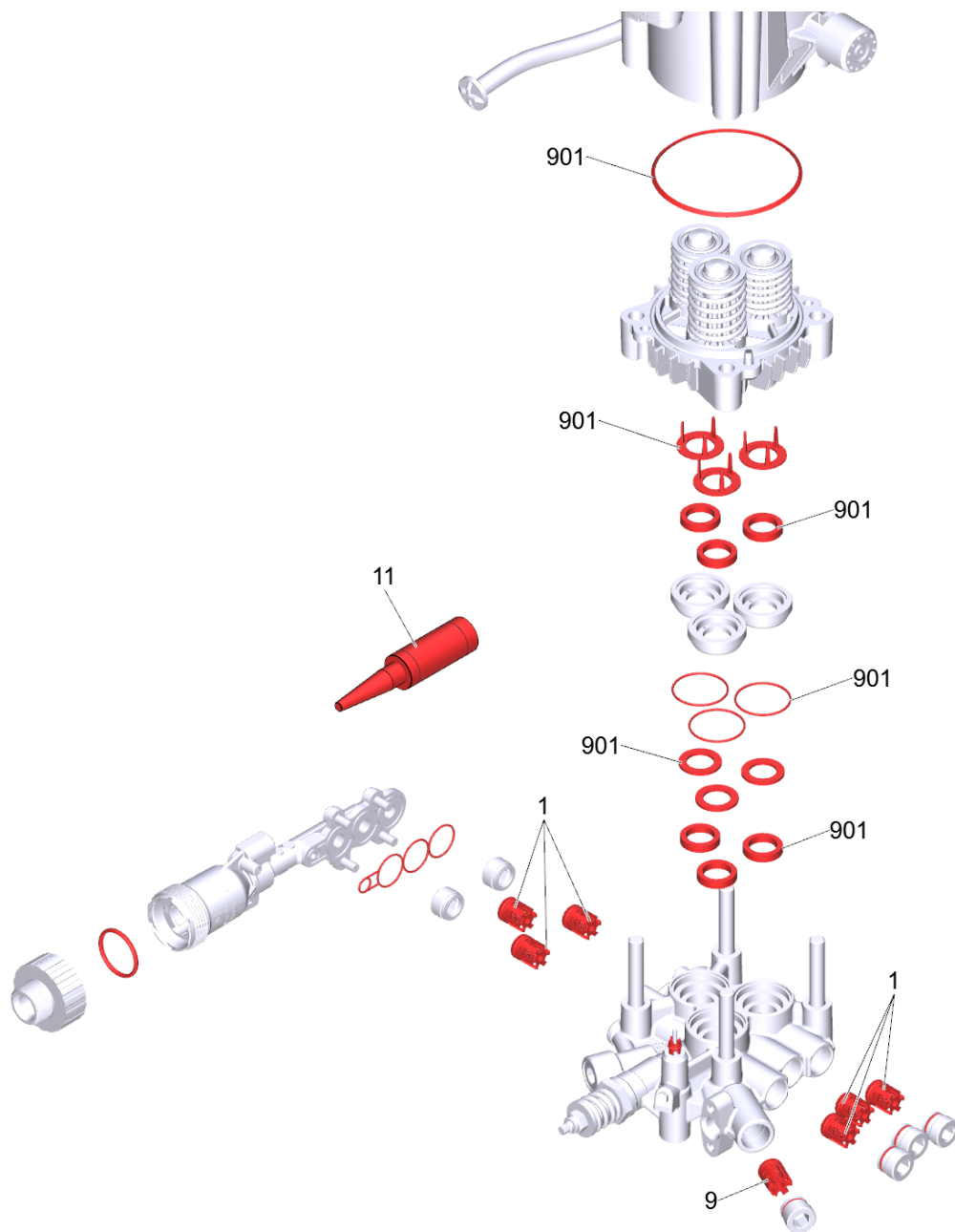
POS	Article no.	Description	Quantity	Unit
2	6.362-481.0	O-Ring seal 14,0 x 2,0 NBR 80	1	PC

60 Cable 1,5x220-SW

POS	Article no.	Description	Quantity	Unit
1	6.641-027.0	Cable 1x1,5mm ² SW/BK	220	m
2	6.641-953.0	Wire end protection 1,5mm ²	1	PC
3	6.649-023.0	Receptacles for tabs 6,3-1,5	1	PC

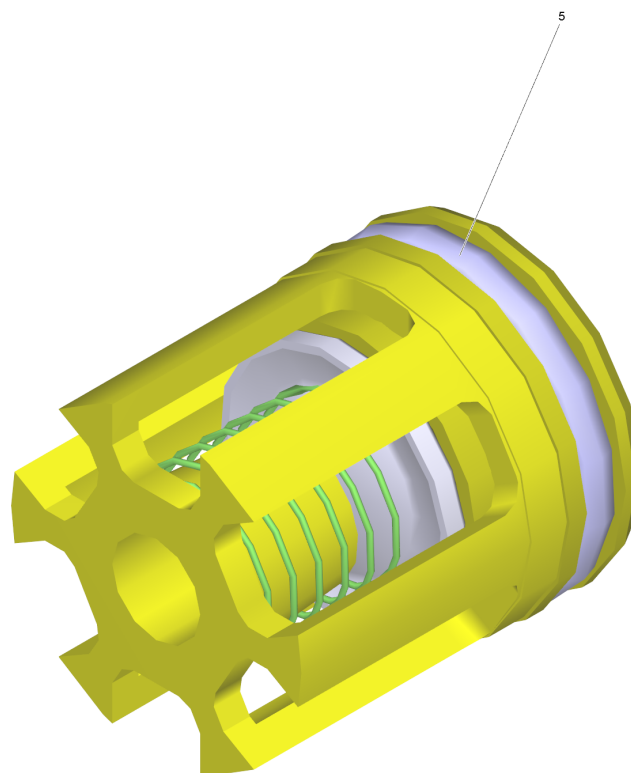
61 Cable 1,5x250-SW

POS	Article no.	Description	Quantity	Unit
1	6.641-027.0	Cable 1x1,5mm ² SW/BK	250	m
2	6.641-953.0	Wire end protection 1,5mm ²	1	PC
3	7.777-999.0	Stockpiling discontinued	1	PC



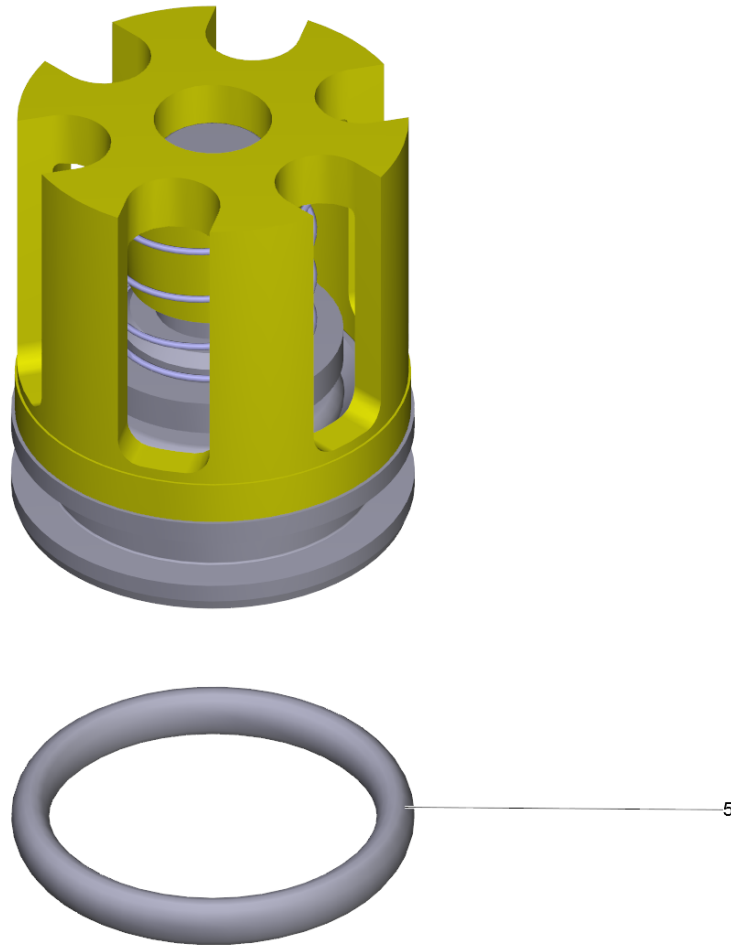
900 Pump set HD-M (2.883-074.0)

POS	Article no.	Description	Quantity	Unit
1	2.884-512.0	Valve (3 Stueck)	2	PC
9	4.580-594.0	Valve complete	1	PC
11	6.288-072.0	Silicon grease	1	PC
901	4.100-767.0	Set of gaskets	1	PC



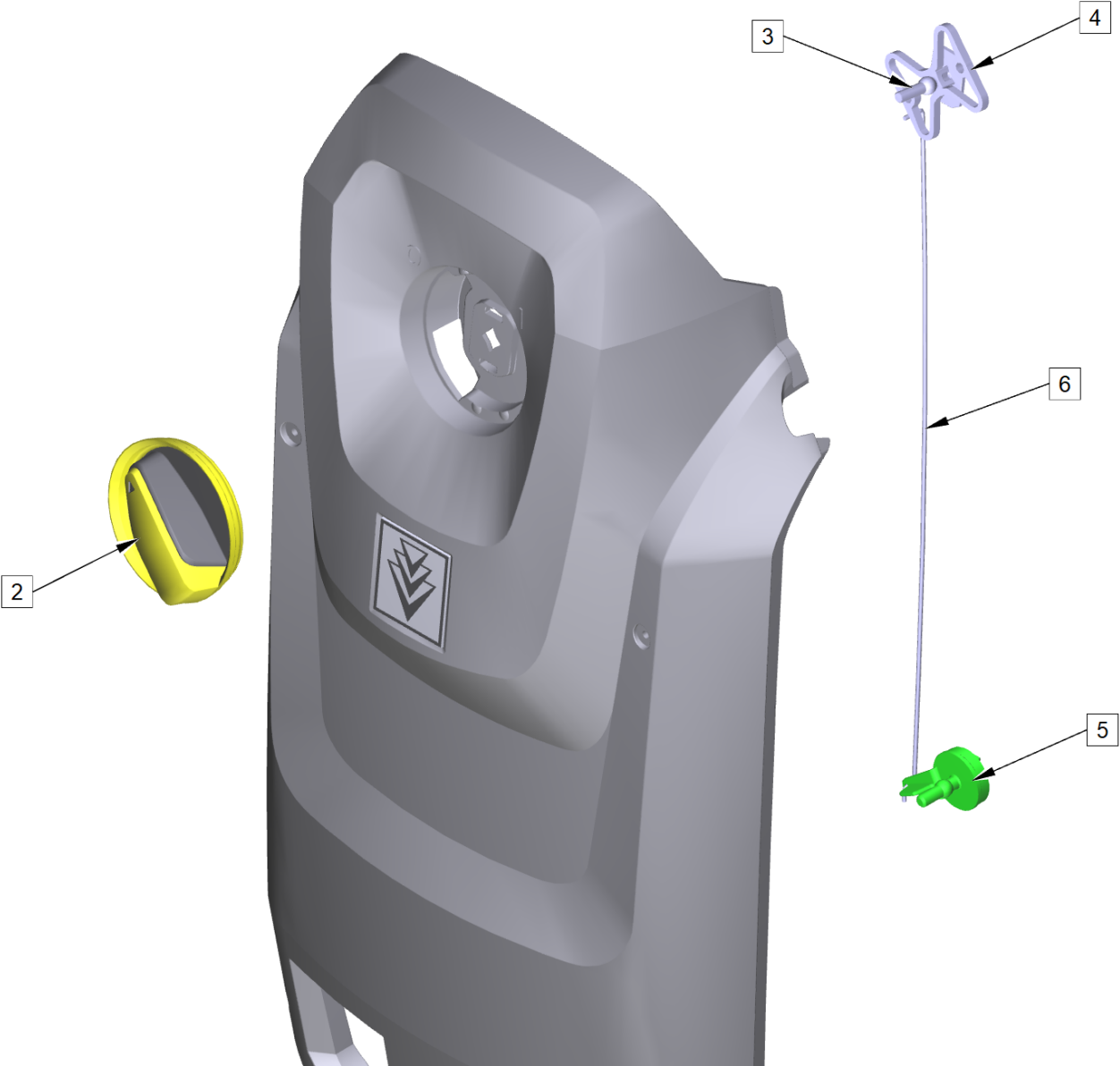
1 Valve (3 Stueck) (2.884-512.0)

POS	Article no.	Description	Quantity	Unit
5	6.363-003.0	O-Ring seal 13,0 X 2,0-NBR 90	1	PC



9 Valve complete (4.580-594.0)

POS	Article no.	Description	Quantity	Unit
5	6.362-381.0	O-Ring seal 13x2 - NBR 70	1	PC



32 Set cover for replacement HD-M (4.100-632.0)

POS	Article no.	Description	Quantity	Unit
2	5.324-187.0	Handle	1	PC
3	5.034-241.0	Axle handle	1	PC
4	5.105-693.0	Spring tripping segment	1	PC
5	5.645-870.0	Deflection switch	1	PC
6	5.034-175.0	Switch rod	1	PC