

## **Spare parts list**

(1.355-242.0) T 15/1+ ESB28 \*EU

## Table of contents

---

T 15/1+ ESB28 *EU (1.355-242.0)	3
5 Spare parts list T 15/1 +ESB28 *EU (5.972-082.0)	4
10 Housing	5
20 Vacuum motor	7
30 Tank	9
40 Accessories	11
50 Brush-head ESB 28/34	13
51 Brush-head ESB 28	14
52 Brush-head ESB 34	16
53 Suction mechanism	18
1 Telescopic suction tube (6.907-032.0)	20
2 Suction hose (6.906-665.0)	21

T 15/1+ ESB28 \*EU (1.355-242.0)

---

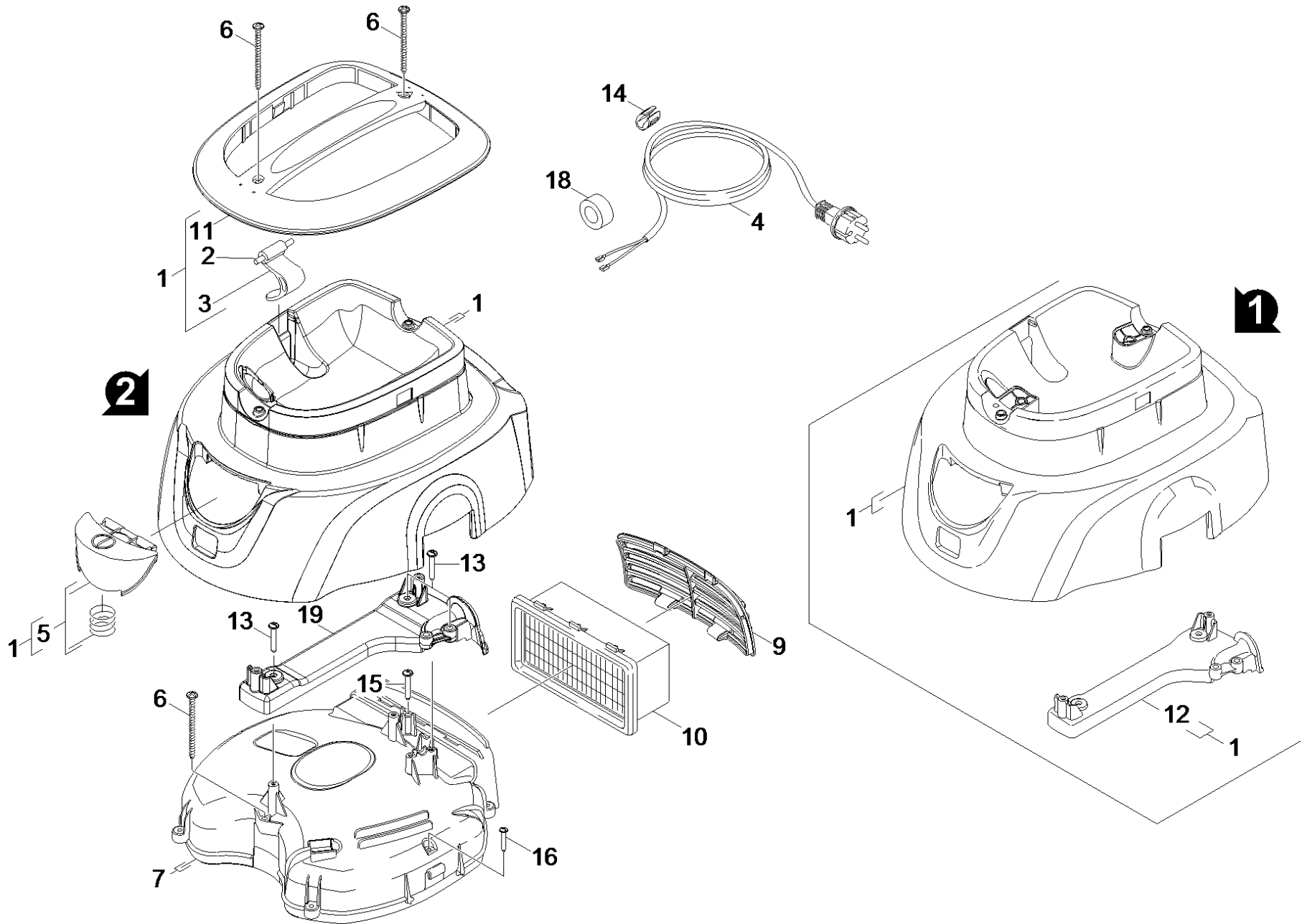
POS	Article no.	Description	Quantity	Unit
5	5.972-082.0	Spare parts list T 15/1 +ESB28 *EU	1.000	ST
	Item text2: 13551010			

---

5 Spare parts list T 15/1 +ESB28 \*EU (5.972-082.0)

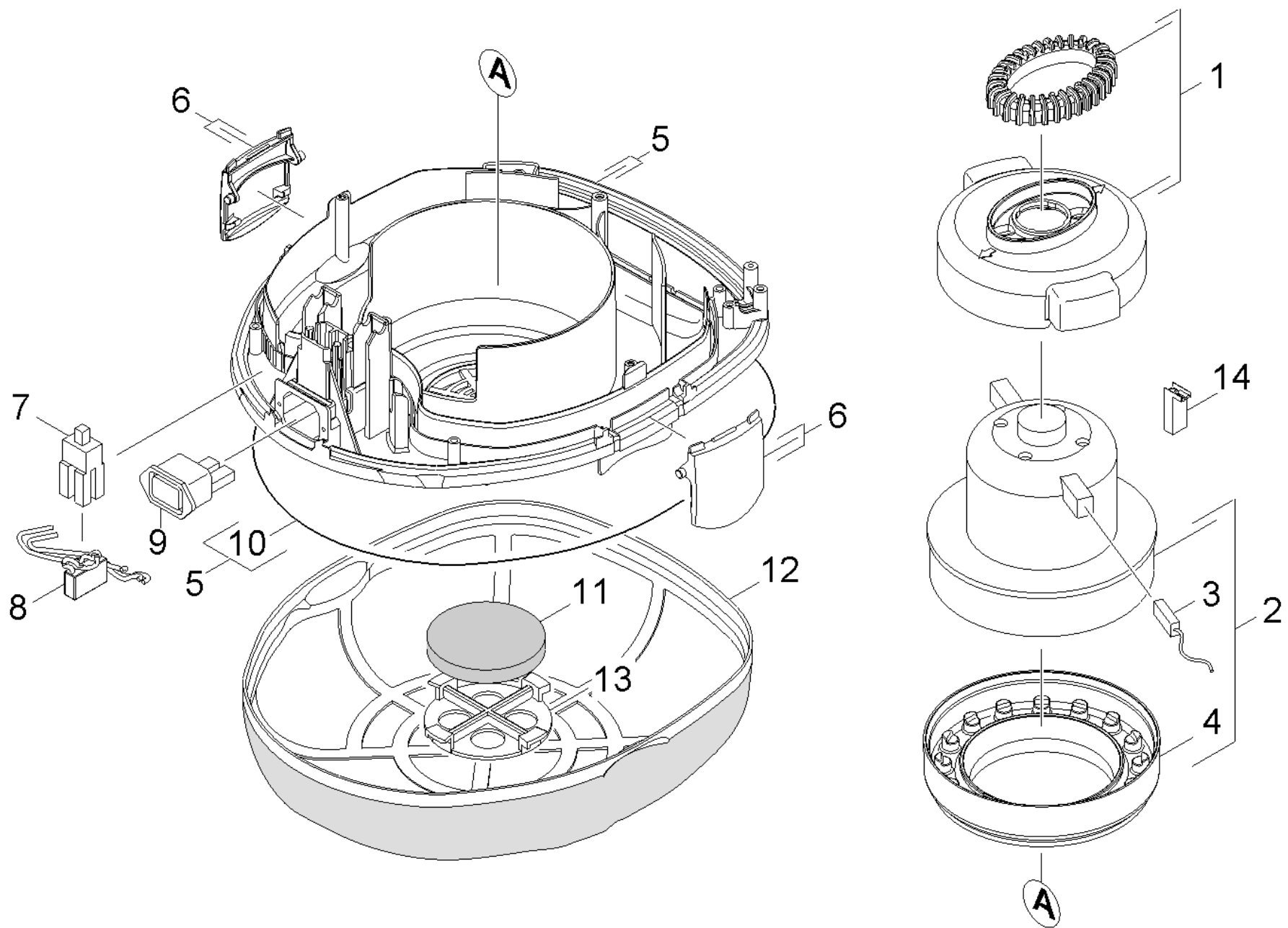
---

<b>POS</b>	<b>Description</b>	<b>Quantity</b>	<b>Unit</b>
10	Housing	1.000	ST
20	Vacuum motor	1.000	ST
30	Tank	1.000	ST
40	Accessories	1.000	ST
50	Brush-head ESB 28/34	1.000	ST



## 10 Housing

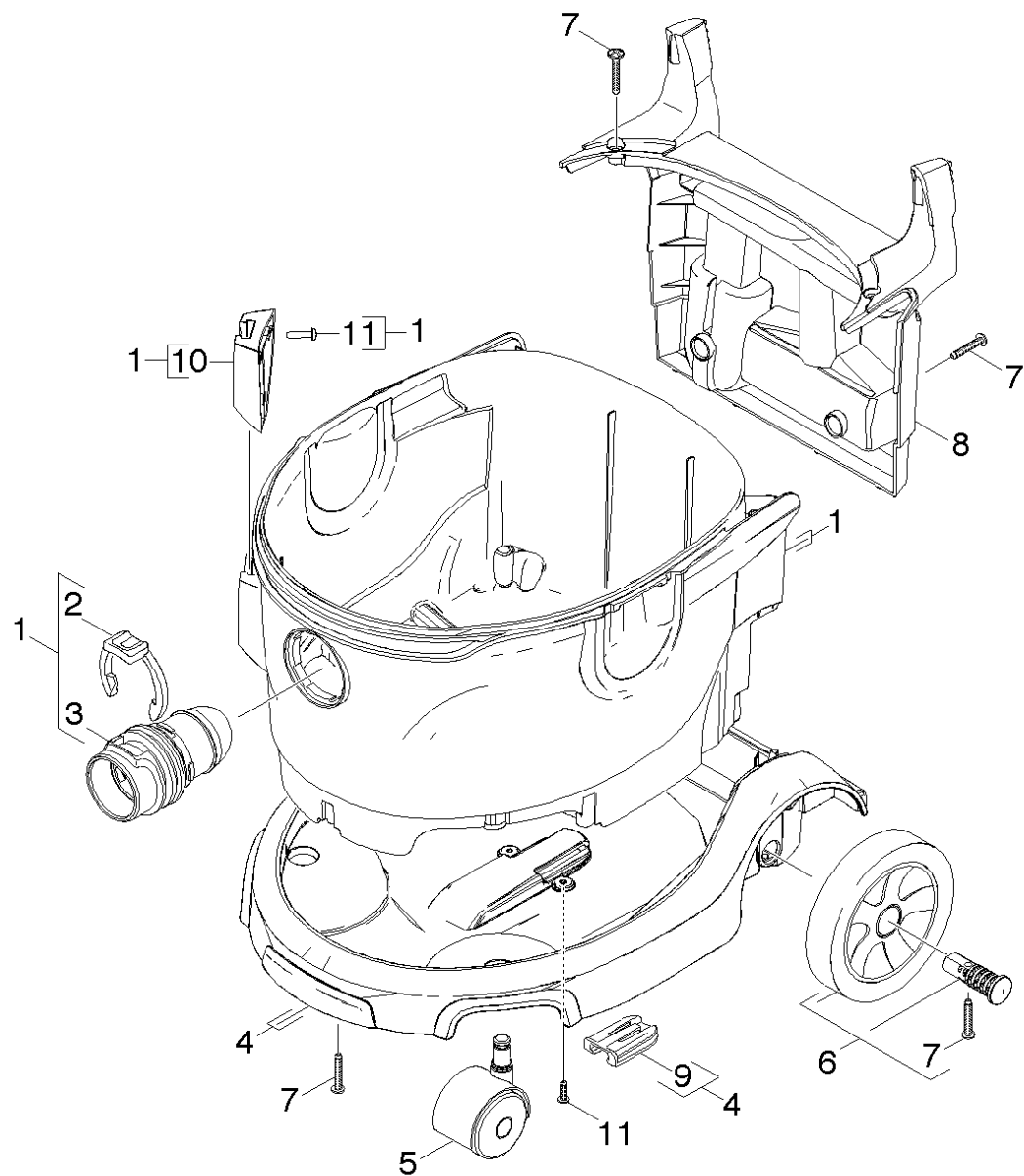
POS	Article no.	Description	Quantity	Unit
1	4.069-029.0	Cover complete	1.000	ST
2	7.314-032.0	Straight pin 5m6x50 -St ISO 2338	1.000	ST
3	5.032-597.0	Catch for cable	1.000	ST
4	6.650-935.0	Power cable Gleitflex 15m	1.000	ST
5	4.324-019.0	Pushbutton complete	1.000	ST
6	7.303-118.0	Screw 5x40 -A2-70 (IN6Rd)	3.000	ST
7	4.692-036.0	Air circulation complete only for replac	1.000	ST
9	5.033-650.0	Grate exhaust opening qusty grey RAL 703	1.000	ST
10	6.414-080.0	Filter packaged HEPA, H13	1.000	ST
11	5.321-771.0	handhold	1.000	ST
12	5.672-305.0	Fixed adapter	1.000	ST
13	7.303-086.0	Screw 5x30 -10.9-R2R (K-In6Rd)	4.000	ST
14	5.033-928.0	Plug fixing RAL 1018	1.000	ST
15	7.303-234.0	Screw 5x60 -10.9-A2K (K-In6Rd)	1.000	ST
16	7.303-084.0	Screw 4x25 -10.9-R2R (K-In6Rd)	2.000	ST
18	6.346-043.0	Ferrite ring	1.000	ST
19	5.672-000.0	Fixed adapter	1.000	ST



## 20 Vacuum motor

POS	Article no.	Description	Quantity	Unit
1	4.605-071.0	Housing turbine complete	1.000	ST
2	4.610-066.0	Vacuum motor complete 230V	1.000	ST
3	6.610-258.0	Carbon brush set	1.000	ST
4	5.363-618.0	Bearing motor bottom T12/1	1.000	ST
5	4.605-098.0	Housing complete only for replacement	1.000	ST
6	5.033-412.0	Locking clip	2.000	ST
7	6.630-437.0	Switch on/off	1.000	ST
8	4.839-333.0	Electrical small parts T12/1	1.000	ST
9	6.646-200.0	Plug socket	1.000	ST
10	6.273-240.0	Seal string cellular rubber D6	1.000	ST
11	6.414-611.0	Filter 5 St.	1.000	ZSA
12	4.731-011.0	Filtering basket packaged	1.000	ST
13	5.032-674.0	Grate filter motor protecting	1.000	ST
14	6.490-268.0	Thermal switch 130°C	1.000	ST

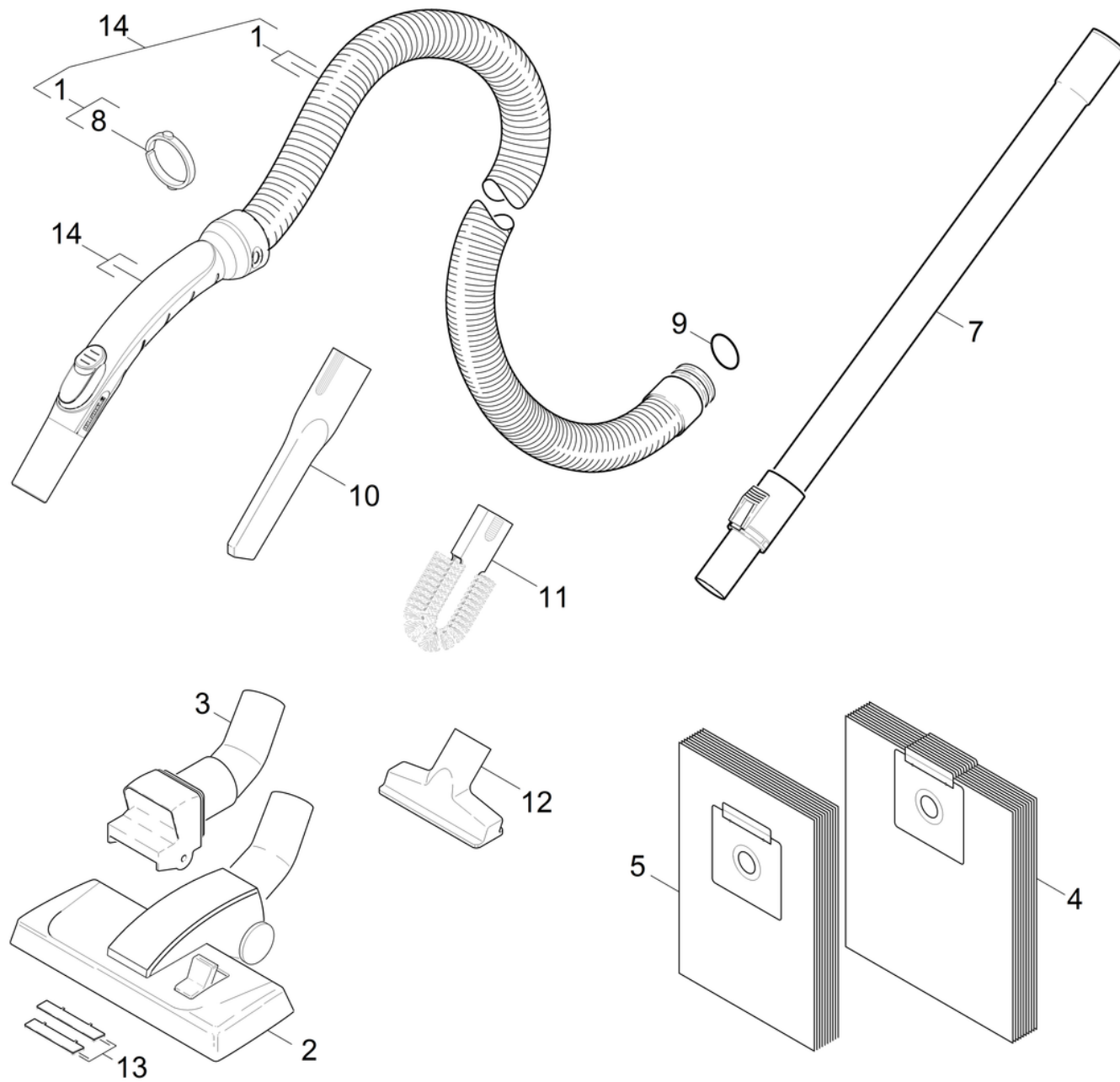




## 30 Tank

---

<b>POS</b>	<b>Article no.</b>	<b>Description</b>	<b>Quantity</b>	<b>Unit</b>
1	4.070-810.0	Tank complete	1.000	ST
2	5.343-022.0	Locking ring	1.000	ST
3	5.034-163.0	Suction connection T	1.000	ST
4	4.521-001.0	Chassis complete only for replacement	1.000	ST
5	6.435-707.0	Castor	2.000	ST
6	4.515-324.0	Wheel complete	2.000	ST
7	7.303-086.0	Screw 5x30 -10.9-R2R (K-In6Rd)	10.000	ST
8	5.033-950.0	Holder accessories	1.000	ST
9	5.032-668.0	Moulded part	1.000	ST
10	5.032-931.0	Floor tool holder	1.000	ST
11	7.303-129.0	Screw 4x16 -10.9-R2R (K-In6Rd)	5.000	ST



## 40 Accessories

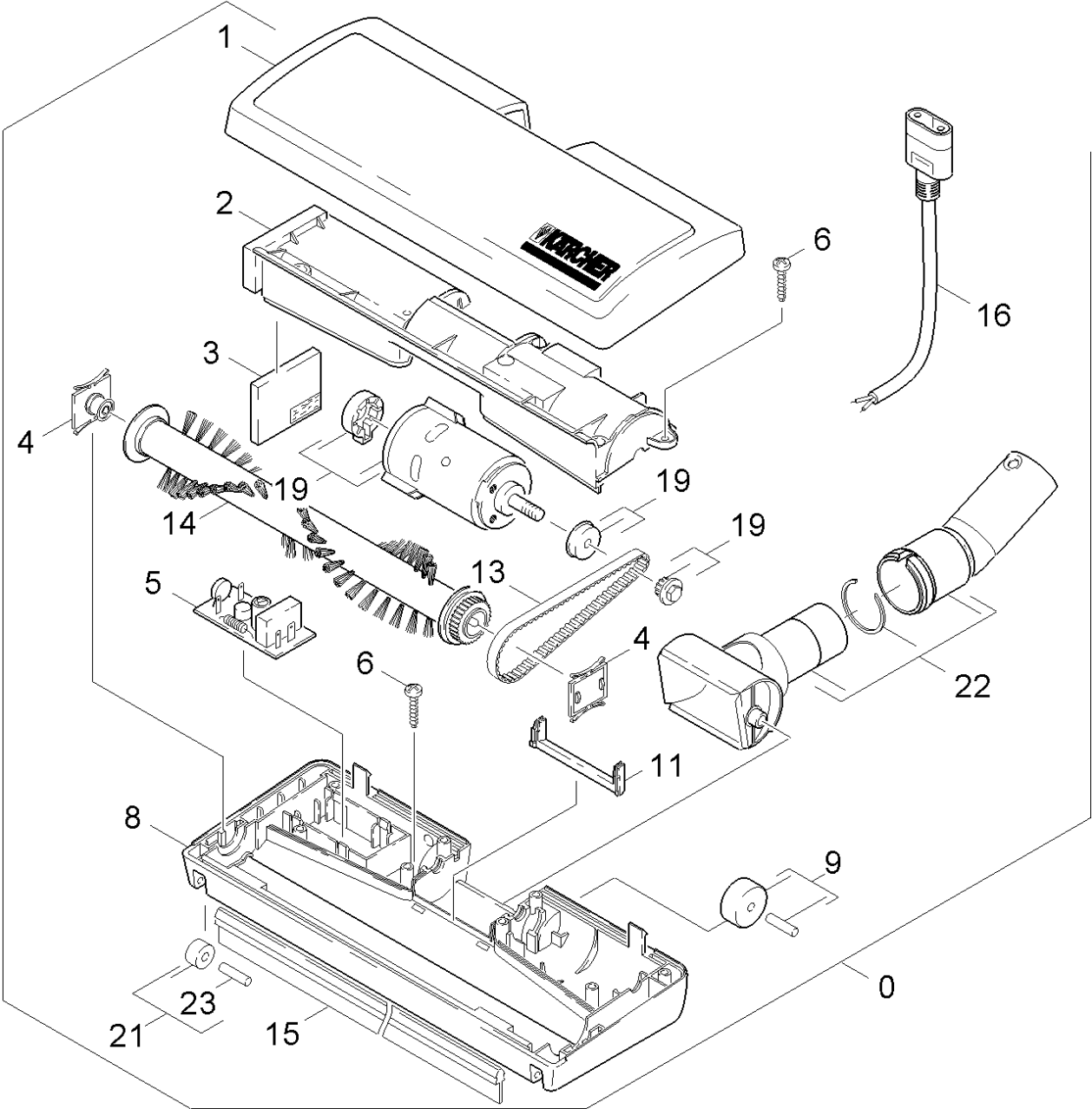
---

POS	Article no.	Description	Quantity	Unit	Foot note text
1	4.440-911.0	Suction hose complete	1.000	ST	ANTISTATIC
2	6.907-410.0	Combination nozzle packaged basalt grey	1.000	ST	
3	6.906-697.0	Joint complete	1.000	ST	
4	6.907-017.0	Filter bag fleece 10 Stueck	1.000	ST	
5	6.907-019.0	Filter bag paper 10 Stueck	1.000	ST	
7	6.903-524.0	Telescopic suction tube	1.000	ST	
8	5.031-703.0	Tension ring C35	1.000	ST	
9	6.363-182.0	O-Ring seal 30,2 x 3,0	1.000	ST	
10	6.903-403.0	Crevice nozzle DN32	1.000	ST	
11	6.903-404.0	Brush heating element	1.000	ST	
12	6.903-402.0	Upholstery nozzle DN32	1.000	ST	
13	6.906-698.0	Thread clipper	1.000	ST	
14	4.440-907.0	Suction hose with elbow antistatic	1.000	ST	

50 Brush-head ESB 28/34

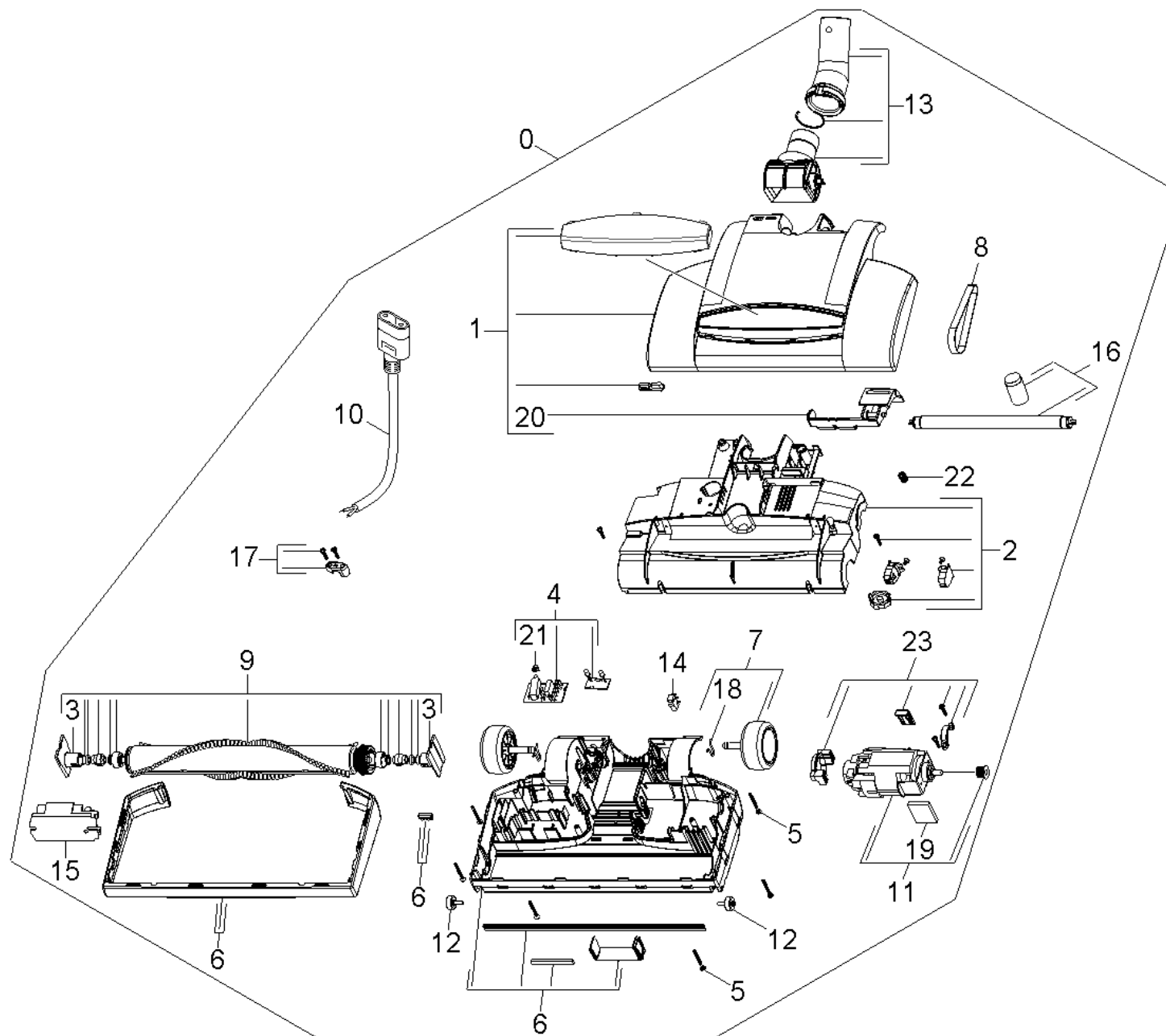
---

<b>POS</b>	<b>Description</b>	<b>Quantity</b>	<b>Unit</b>
51	Brush-head ESB 28	1.000	ST
52	Brush-head ESB 34	1.000	ST
53	Suction mechanism	1.000	ST



## 51 Brush-head ESB 28

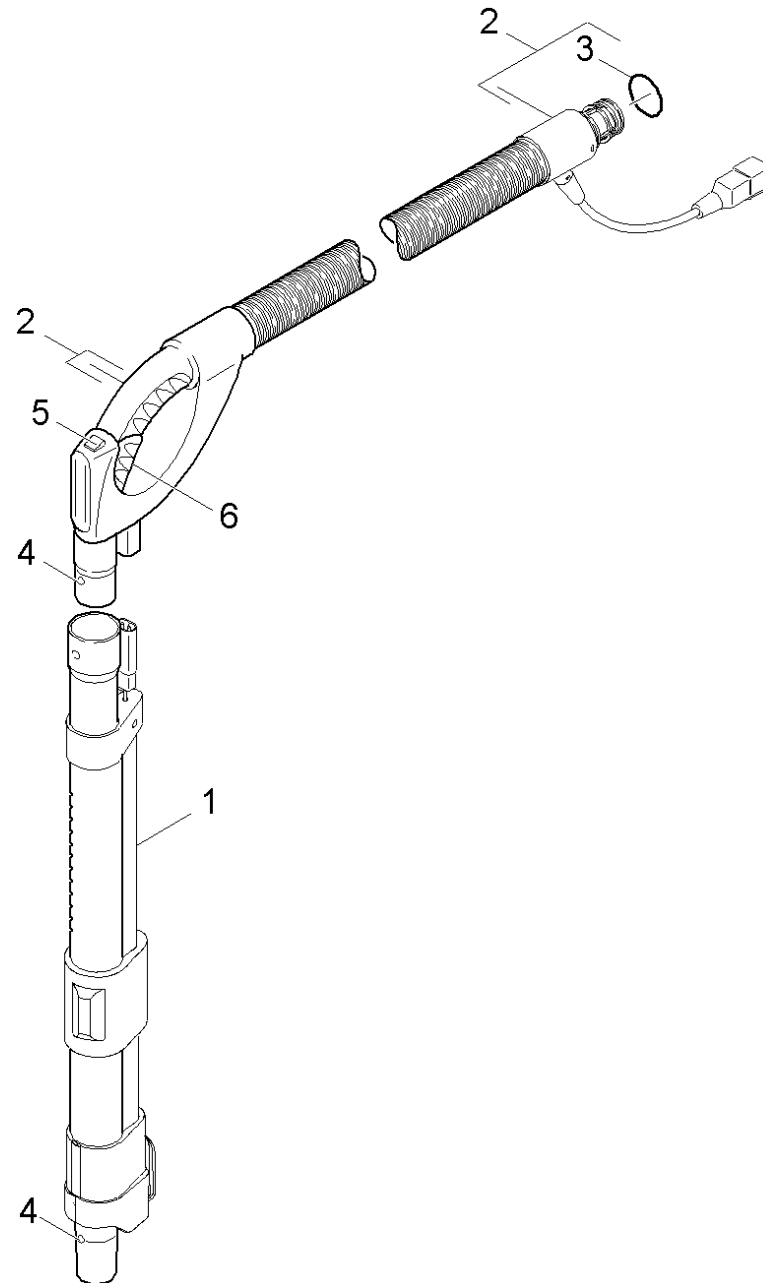
POS	Article no.	Description	Quantity	Unit
0	6.906-663.0	Brush-head	1.000	ST
1	6.905-980.0	Housing top part	1.000	ST
2	6.988-001.0	Covering cap motor	1.000	ST
3	6.988-002.0	Counterweight	1.000	ST
4	6.988-003.0	Housing bearing	1.000	ST
5	6.988-004.0	Circuit board	1.000	ST
6	6.988-016.0	Screw	10.000	ST
8	6.905-981.0	Housing bottom part	1.000	ST
9	4.515-342.0	Roller complete with axle	2.000	ST
11	6.988-006.0	Covering cap cable	1.000	ST
13	6.988-007.0	Toothed belt	1.000	ST
14	6.905-938.0	Roller brush only for replacement	1.000	ST
15	6.273-218.0	Rubber lip	1.000	ST
16	6.906-708.0	Cable ESB 28	1.000	ST
19	6.988-019.0	Motor complete	1.000	ST
21	6.905-520.0	Roller complete D13	2.000	ST
22	6.906-707.0	Swivel joint ESB 28	1.000	ST
23	6.906-712.0	Axle front only for replacement	2.000	ST





## 52 Brush-head ESB 34

POS	Article no.	Description	Quantity	Unit
0	6.907-256.0	Brush-head ESB 34	1.000	ST
1	6.626-089.0	Top part complete	1.000	ST
2	6.613-233.0	Engine hood complete	1.000	ST
3	6.401-464.0	Bearing holder complete	1.000	ST
4	6.988-021.0	Circuit board complete	1.000	ST
5	6.988-023.0	Screw ST3,5x35	1.000	ST
6	6.634-260.0	Bottom part complete	1.000	ST
7	6.401-461.0	Roller complete rear	2.000	ST
8	6.988-022.0	Toothed belt	1.000	ST
9	6.975-017.0	Roller brush complete	1.000	ST
10	6.686-503.0	Coupler plug complete	1.000	ST
11	6.613-232.0	Motor complete	1.000	ST
12	6.401-462.0	Roller complete front	2.000	ST
13	6.401-463.0	Joint complete	1.000	ST
14	6.635-584.0	Switch	1.000	ST
15	6.651-673.0	Fluorescent lamp ballast	1.000	ST
16	6.989-463.0	Illumination	1.000	ST
17	6.989-464.0	Cable clamp	1.000	ST
18	6.957-402.0	Clamp	1.000	ST
19	6.414-970.0	Filter motor	1.000	ST
20	6.634-261.0	Pushbutton	1.000	ST
21	6.958-283.0	Cap	1.000	ST
22	6.958-284.0	Spring	1.000	ST
23	6.613-238.0	Motor unit	1.000	ST



## 53 Suction mechanism

---

<b>POS</b>	<b>Article no.</b>	<b>Description</b>	<b>Quantity</b>	<b>Unit</b>
1	6.907-032.0	Telescopic suction tube	1.000	ST
2	6.906-665.0	Suction hose	1.000	ST
3	6.362-163.0	O-Ring seal 30,2 X 3,0-NBR 70	1.000	ST
4	6.903-239.0	Plate spring	2.000	ST
5	6.906-710.0	Switch ESB 28	1.000	ST
6	6.906-711.0	Slider ESB 28	1.000	ST

1 Telescopic suction tube (6.907-032.0)

---

<b>POS</b>	<b>Article no.</b>	<b>Description</b>	<b>Quantity</b>	<b>Unit</b>
9000	6.907-505.0	Plate spring for replacement	1.000	ST

2 Suction hose (6.906-665.0)

---

<b>POS</b>	<b>Article no.</b>	<b>Description</b>	<b>Quantity</b>	<b>Unit</b>
9000	6.907-505.0	Plate spring for replacement	1.000	ST

---