

Spare parts list

(1.367-100.0) HD 16/15-4 Cage Plus *EU-I

Table of contents

HD 16/15-4 Cage Plus *EU-I (1.367-100.0)	4
90 Spare parts list HD 16/15-4 (5.972-044.0)	5
10 Frame	6
11 Frame	7
12 Water filter	9
4 Water filter complete (6.415-960.0)	11
20 Pump set	13
21 Pump set	14
1 Valve complete (6.413-531.0)	16
22 Pump set Leuco KR2625R	18
9001 Spare parts set cylinder head Leuco (2.885-417.0)	20
9002 Valve complete replacement (6.413-585.0)	22
9002 Spare parts set gear Leuco (2.885-418.0)	24
101 Set closed bearing side (6.347-014.0)	26
104 Set open bearing side (6.347-011.0)	28
23 Excess-current	30
15 Spare part set valve seat only for repla (2.885-164.0)	33
31 SPARE PARTS SET (2.883-988.0)	35
30 Motor	37
40 Accessories	39
41 Hand trigger gun	40
1 Hand trigger gun (4.775-466.0)	42
60 Adapter pipelines AVS-M22x1,5 (4.421-739.3)	44
9002 Lever complete (4.481-209.0)	46
4 Lever complete (4.481-209.0)	48
9 Adapter pipelines AVS-M22x1,5 (4.421-739.3)	50
42 Rotary controller	52
1 Rotary controller 700L (4.775-471.0)	54
43 High pressure hose	56
44 Jet pipe	58
1 Jet pipe packaged only for replacement (4.760-660.0)	60
14 Screw connector part (5.401-210.0)	62
8 Screw connector part (5.401-210.0)	63
45 Power nozzle	64
46 Dirt blaster	66
1 Dirt blaster 100 Nur für Ersatz (4.764-208.0)	68
11 Spare parts list dirt blaster (5.955-641.0)	69
10 Dirt blaster	70

Table of contents

Spare part set rotor 170 (2.881-025.0)	73
Spare part set dirt blaster 04-HD 1050 (2.883-471.0)	75
Spare part set dirt blaster 05 (2.883-472.0)	77
Spare part set dirt blaster 055/06 (2.883-473.0)	79
Spare part set dirt blaster 07/08-HDS 8 (2.883-474.0)	81
Spare part set dirt blaster 120 (2.884-051.0)	83
Spare part set dirt blaster 035 (2.884-052.0)	85
Spare part set dirt blaster 045 (2.884-113.0)	87
Spare part set dirt blaster 09 (2.884-316.0)	89
Spare parts set rotor 100 (2.885-196.0)	91
2 Spare parts set rotor 100 (2.885-196.0)	93
50 Electric box	95

HD 16/15-4 Cage Plus *EU-I (1.367-100.0)

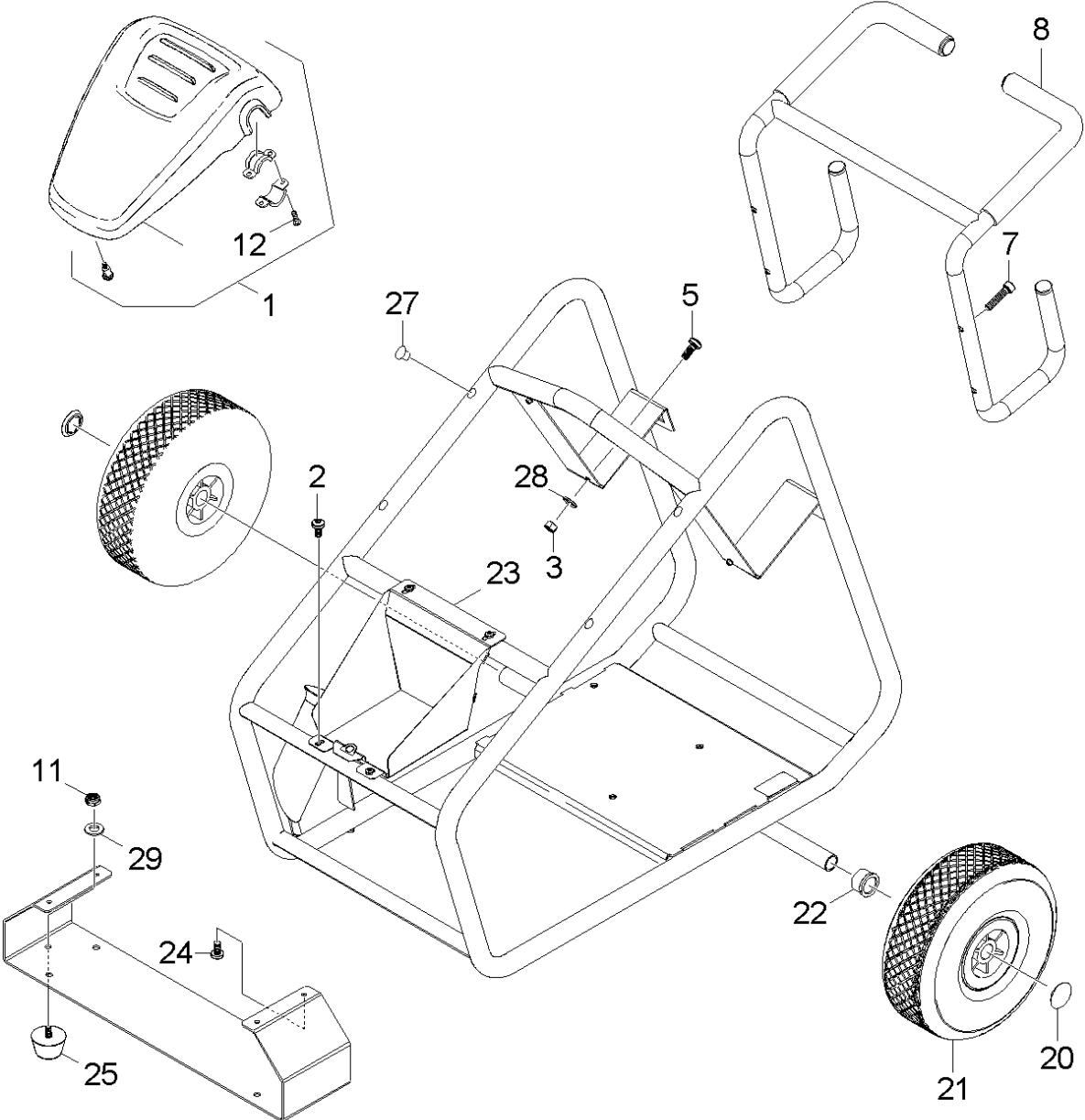
POS	Article no.	Description	Quantity	Unit
90	5.972-044.0	Spare parts list HD 16/15-4	1.000	ST

90 Spare parts list HD 16/15-4 (5.972-044.0)

POS	Description	Quantity	Unit
40	Accessories	1.000	ST
50	Electric box	1.000	ST
10	Frame	1.000	ST
30	Motor	1.000	ST
20	Pump set	1.000	ST

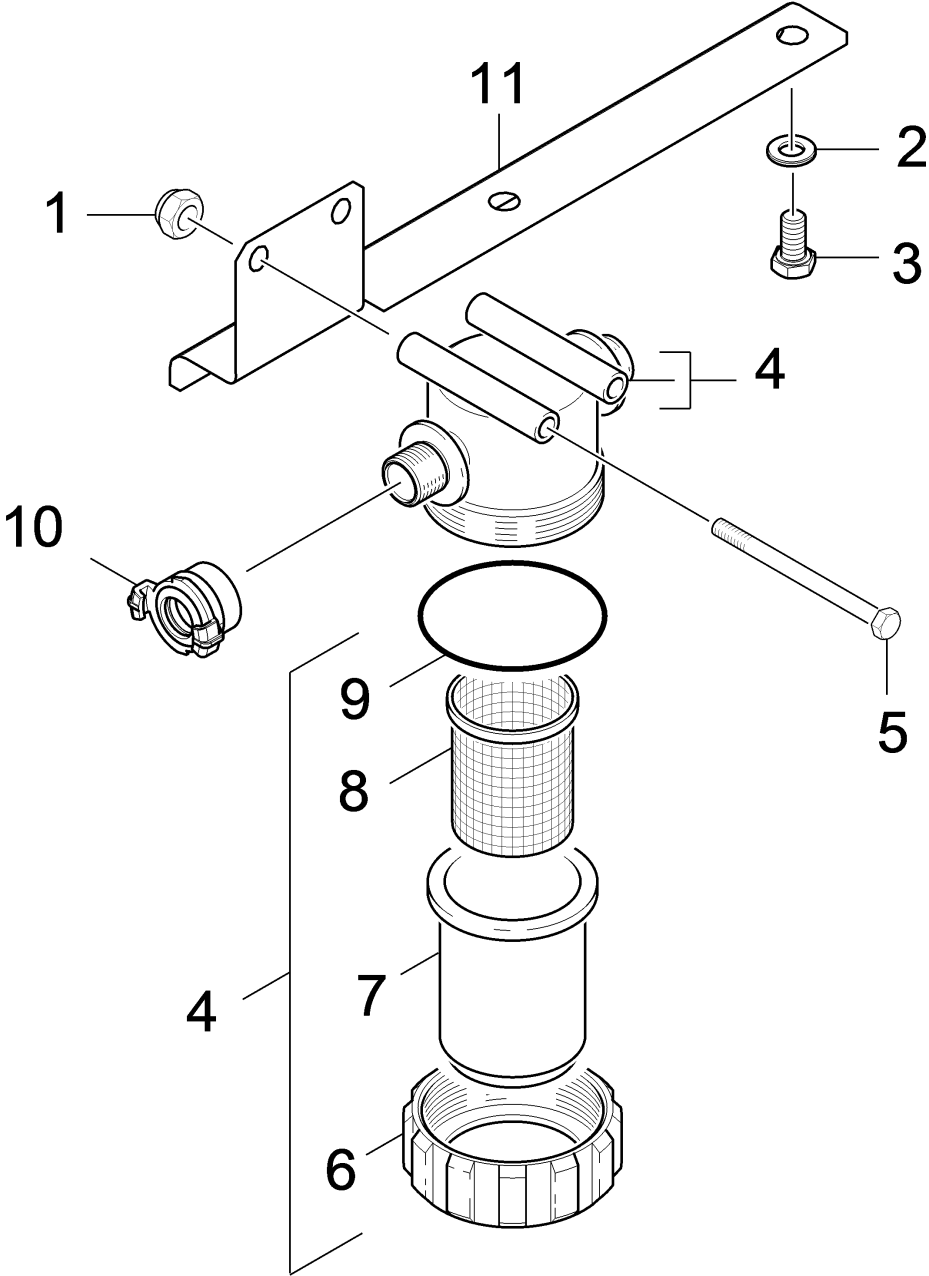
10 Frame

POS	Description	Quantity	Unit
11	Frame	1.000	ST
12	Water filter	1.000	ST



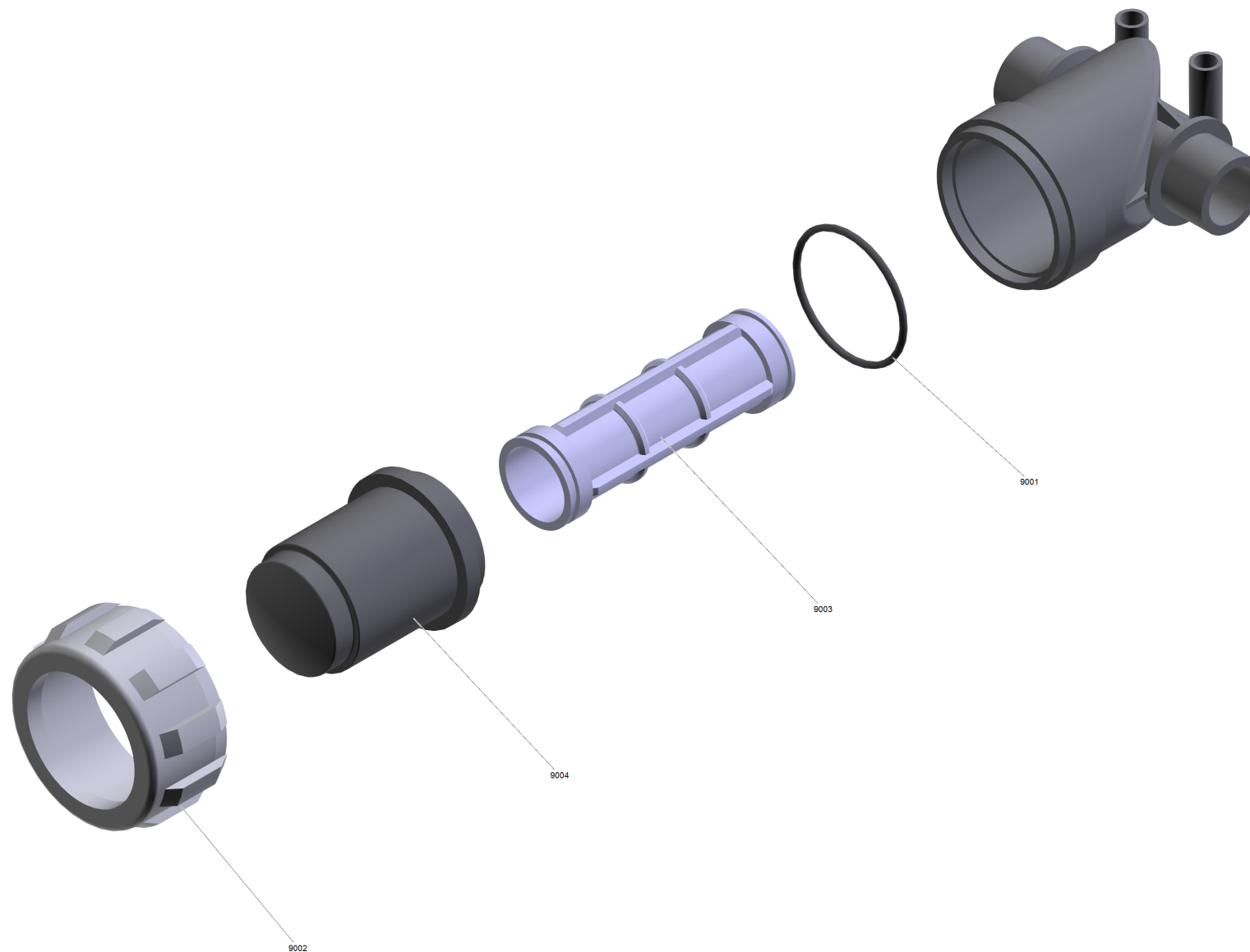
11 Frame

POS	Article no.	Description	Quantity	Unit	Remark
27	6.368-428.0	Cap	8.000	ST	
7	7.306-044.0	Cylinder head screw M8x35 -8.8-A2E ISO4	4.000	ST	
3	7.311-421.0	Hexagon nut M 5-04-A2E DIN 985	4.000	ST	
11	7.311-427.0	Hexagon nut M8 -04-A2E DIN 985	2.000	ST	
20	6.343-137.0	Quick-fastener	2.000	ST	
25	6.339-100.0	Rubber buffer	2.000	ST	
12	7.303-112.0	Screw 6x20 -10.9-R2R (In6Rd)	4.000	ST	
5	7.306-217.0	Screw M5x14 -8.8-R2R (In6Rd)	4.000	ST	
24	7.303-046.0	Screw M6x12 -St-R3R (In6Rd)	4.000	ST	
2	7.303-046.0	Screw M6x12 -St-R3R (In6Rd)	4.000	ST	
8	5.034-976.0	Shearing shackle grey	1.000	ST	
23	5.050-913.0	Sheet metal component accessory shed	1.000	ST	
22	5.110-378.0	Sleeve	2.000	ST	
1	2.885-353.0	Spare part set cover grey	1.000	ST	
28	7.312-002.0	Washer 5-200HV-A3E ISO 7089	4.000	ST	
29	7.312-289.0	Washer 8 -A2 ISO 7093-1	4.000	ST	
21	6.435-008.0	Wheel	2.000	ST	Pneumatic-tires
21	6.515-002.0	Wheel 305x105	2.000	ST	Polyurethane foam



12 Water filter

POS	Article no.	Description	Quantity	Unit
8	6.414-666.0	Filter cartridge only for replacement	1.000	ST
7	6.414-688.0	Filter cup	1.000	ST
5	7.304-098.0	Hexagonal head screw M8x80-8.8-A2E ISO	2.000	ST
3	7.304-277.0	Hexagonal head screw M10x20 -8.8-ZFSHL I	2.000	ST
1	7.311-427.0	Hexagon nut M8 -04-A2E DIN 985	2.000	ST
10	6.388-458.0	Hose coupling	1.000	ST
9	6.363-166.0	O-Ring seal	1.000	ST
11	5.037-394.0	Sheet metal component water filter holde	1.000	ST
6	6.392-980.0	Union nut grey only for replacement	1.000	ST
2	7.312-158.0	Washer 11-A2-50 DIN 1441	2.000	ST
4	6.415-960.0	Water filter complete	1.000	ST

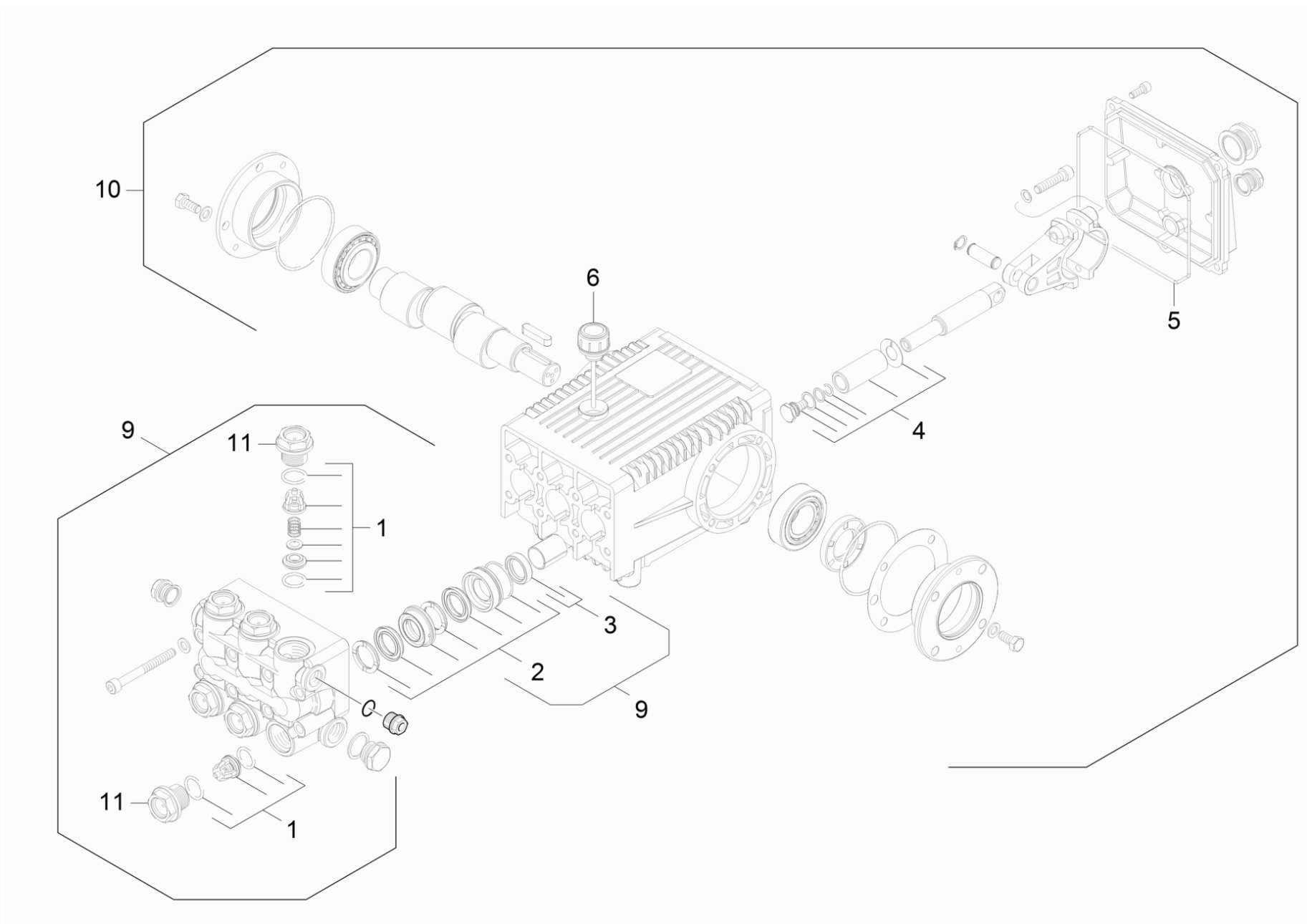


4 Water filter complete (6.415-960.0)

POS	Article no.	Description	Quantity	Unit
9003	6.414-666.0	Filter cartridge only for replacement	1.000	ST
9004	6.414-688.0	Filter cup	1.000	ST
9001	6.363-166.0	O-Ring seal	1.000	ST
9002	6.385-881.0	Union nut	1.000	ST

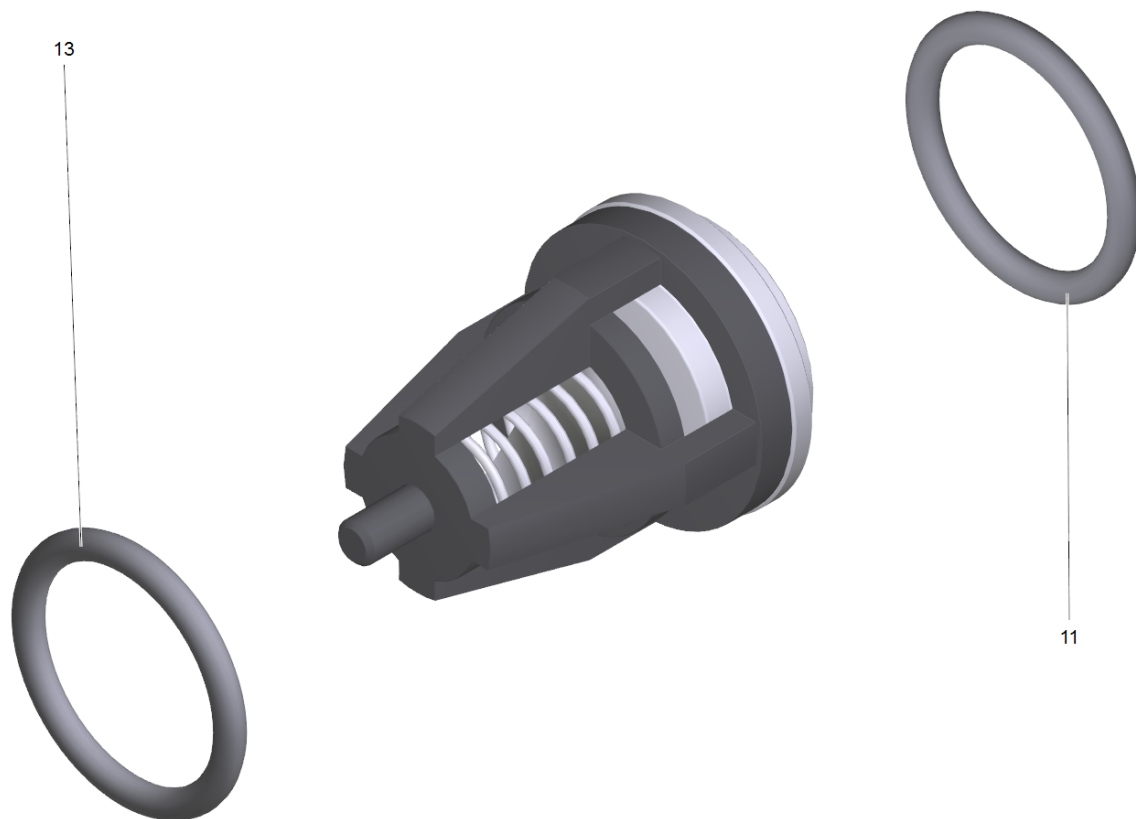
20 Pump set

POS	Description	Quantity	Unit	Foot note text
23	Excess-current	1.000	ST	
21	Pump set	1.000	ST	VERSION 1
22	Pump set Leuco KR2625R	1.000	ST	VERSION 2



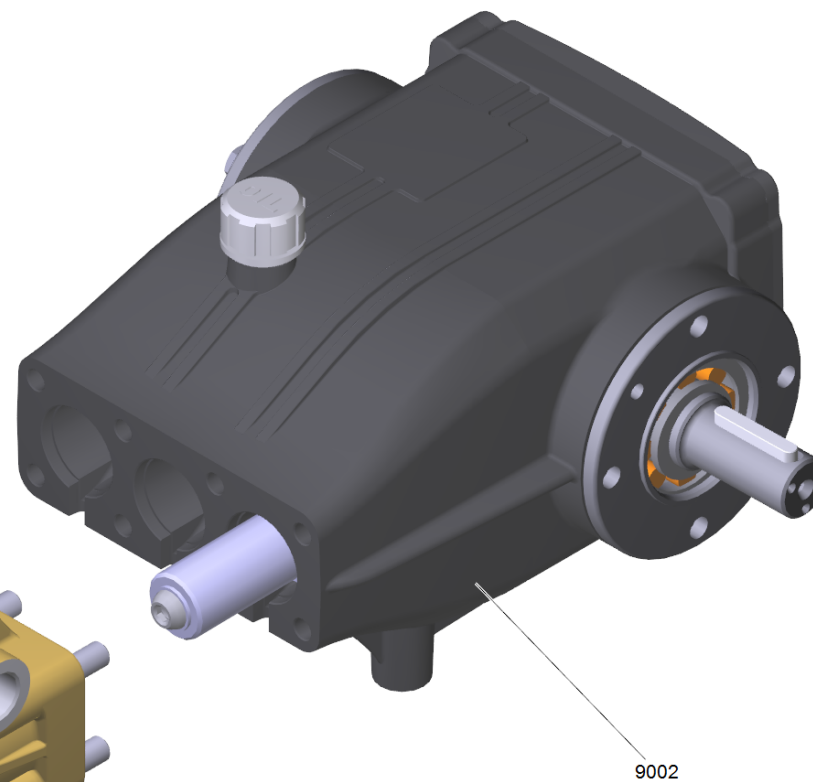
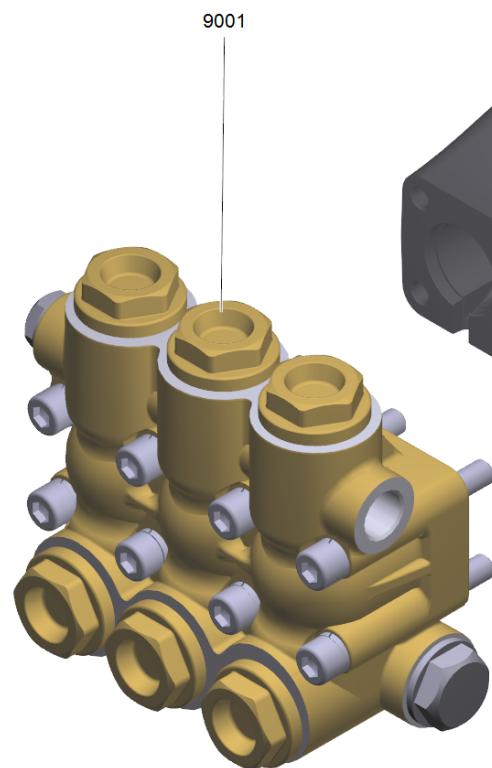
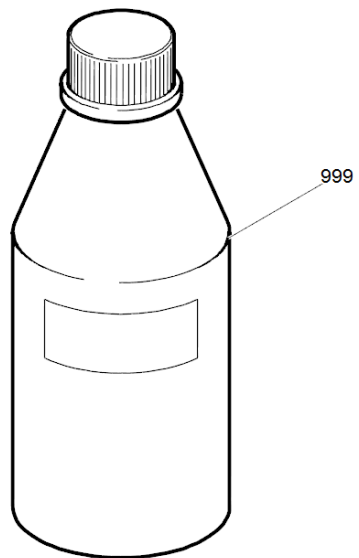
21 Pump set

POS	Article no.	Description	Quantity	Unit
5	6.363-257.0	O-Ring seal	1.000	ST
3	6.363-552.0	Oil seal	3.000	ST
11	6.382-013.0	Screw plug	6.000	ST
6	6.382-016.0	Screw plug oil ventilation	1.000	ST
2	6.347-145.0	Set seals KR 940 A	3.000	ST
4	6.347-146.0	Sleeve complete	3.000	ST
9	2.885-174.0	Spare parts set cylinder head KR 940	1.000	ST
10	2.885-354.0	Spare parts set gear KR 940 A	1.000	ST
1	6.413-531.0	Valve complete	6.000	ST



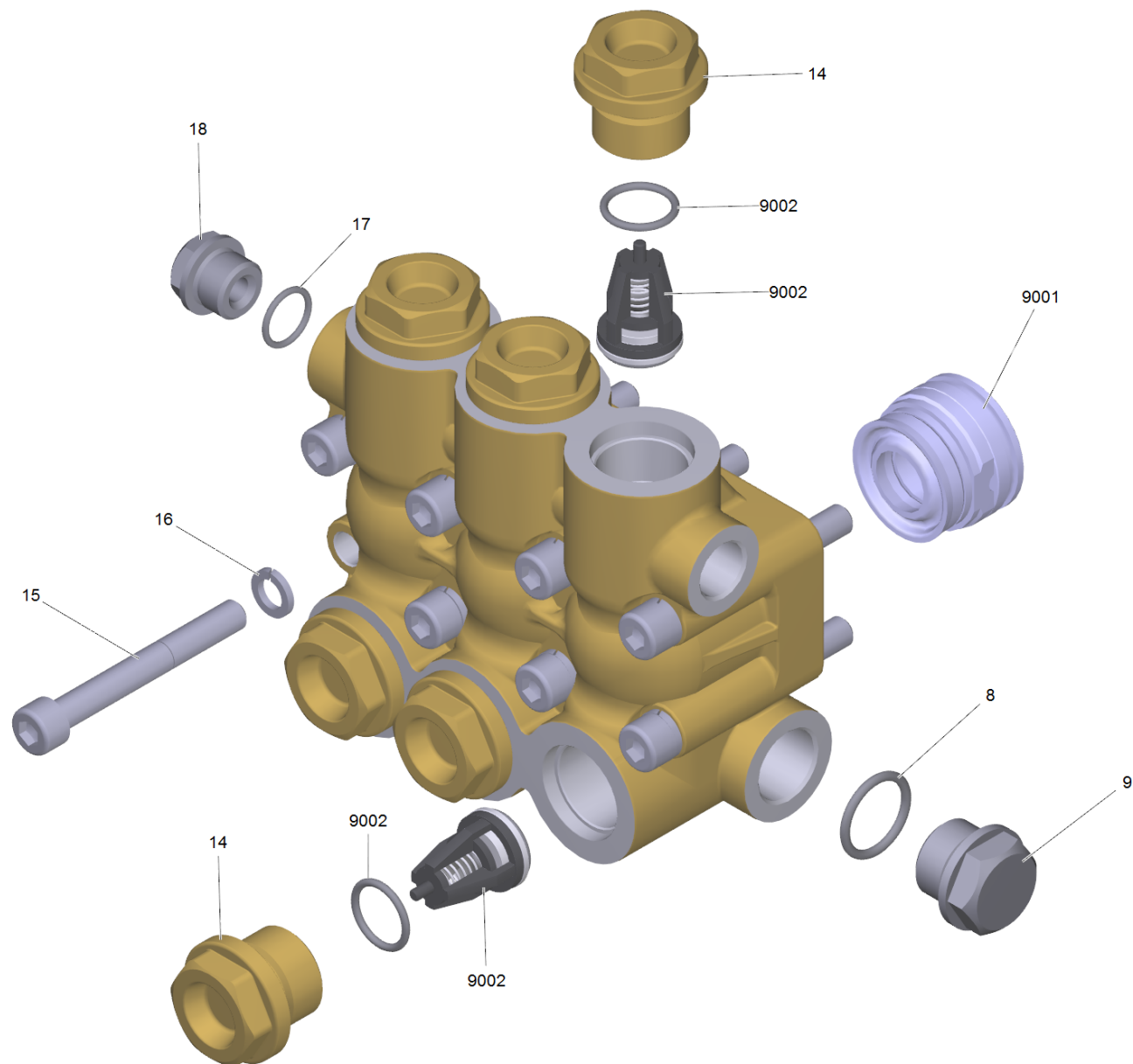
1 Valve complete (6.413-531.0)

POS	Article no.	Description	Quantity	Unit
11	6.363-691.0	O-Ring seal D25.7x2.62	1.000	ST
13	6.363-688.0	O-Ring seal Ø3,53x26,58	1.000	ST



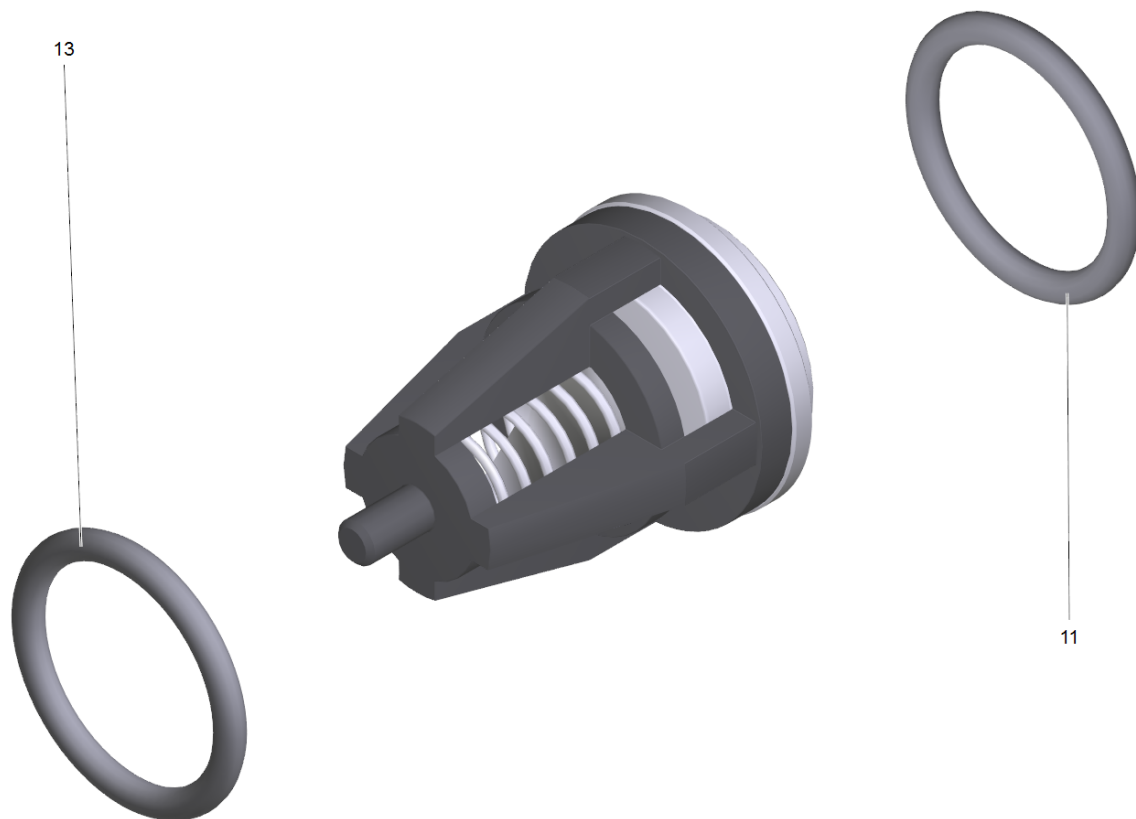
22 Pump set Leuco KR2625R

POS	Article no.	Description	Quantity	Unit
999	6.288-050.0	Engine oil 1L	1.000	ST
9001	2.885-417.0	Spare parts set cylinder head Leuco	1.000	ST
9002	2.885-418.0	Spare parts set gear Leuco	1.000	ST



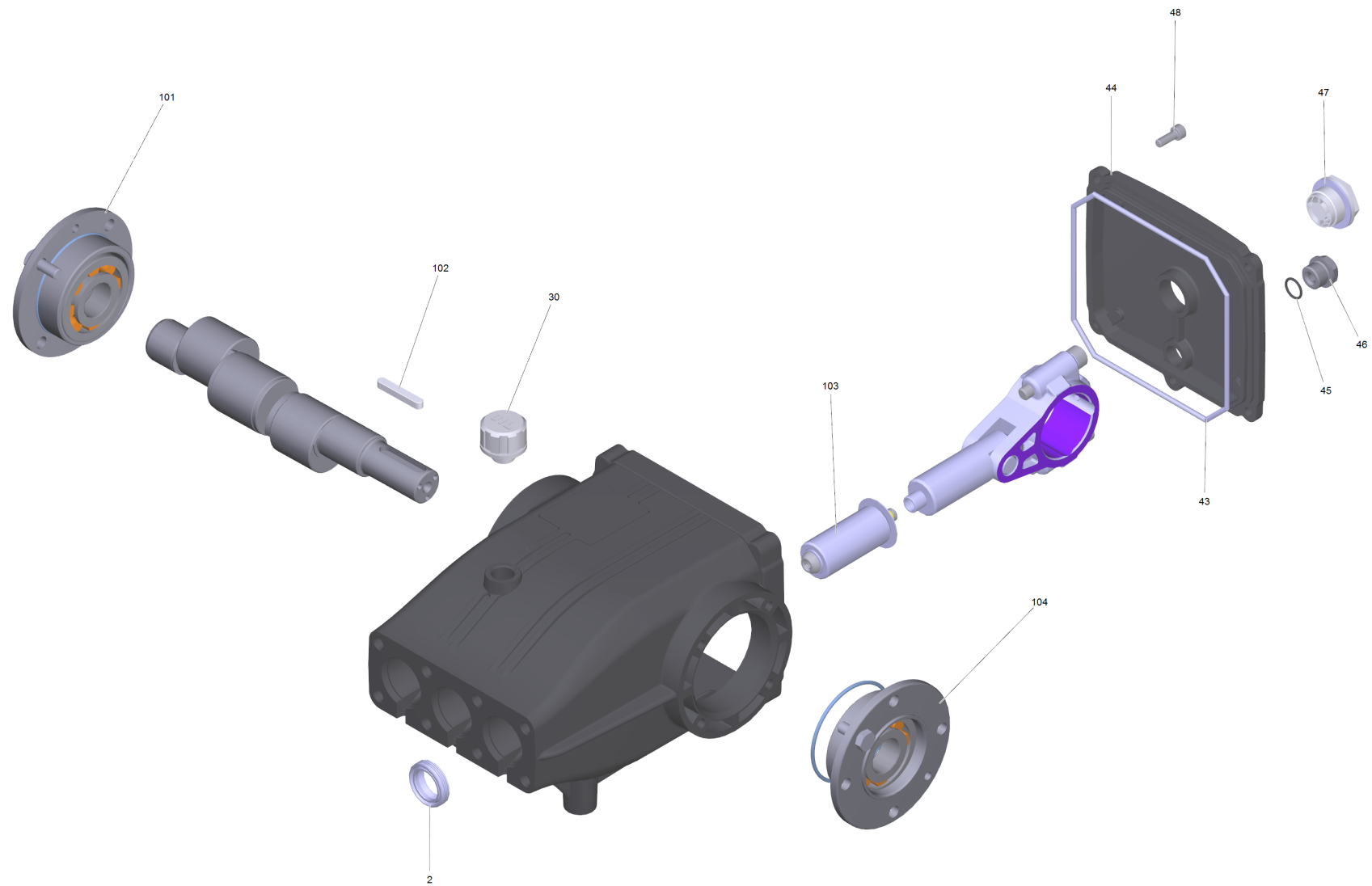
9001 Spare parts set cylinder head Leuco (2.885-417.0)

POS	Article no.	Description	Quantity	Unit
16	6.313-001.0	Lock washer replacement	8.000	ST
18	6.304-020.0	Plug brass replacement	1.000	ST
15	6.382-018.0	Screw plug replacement	8.000	ST
9	6.581-000.0	Screw plug replacement G 3/4	1.000	ST
9001	6.347-010.0	Set seals KR 2625R	1.000	ST
9002	6.413-585.0	Valve complete replacement	6.000	ST
14	6.304-005.0	Valve screw	6.000	ST
8	6.363-686.0	Washer copper replacement 3/4	1.000	ST
17	6.304-036.0	Washer replacement 1/2	1.000	ST



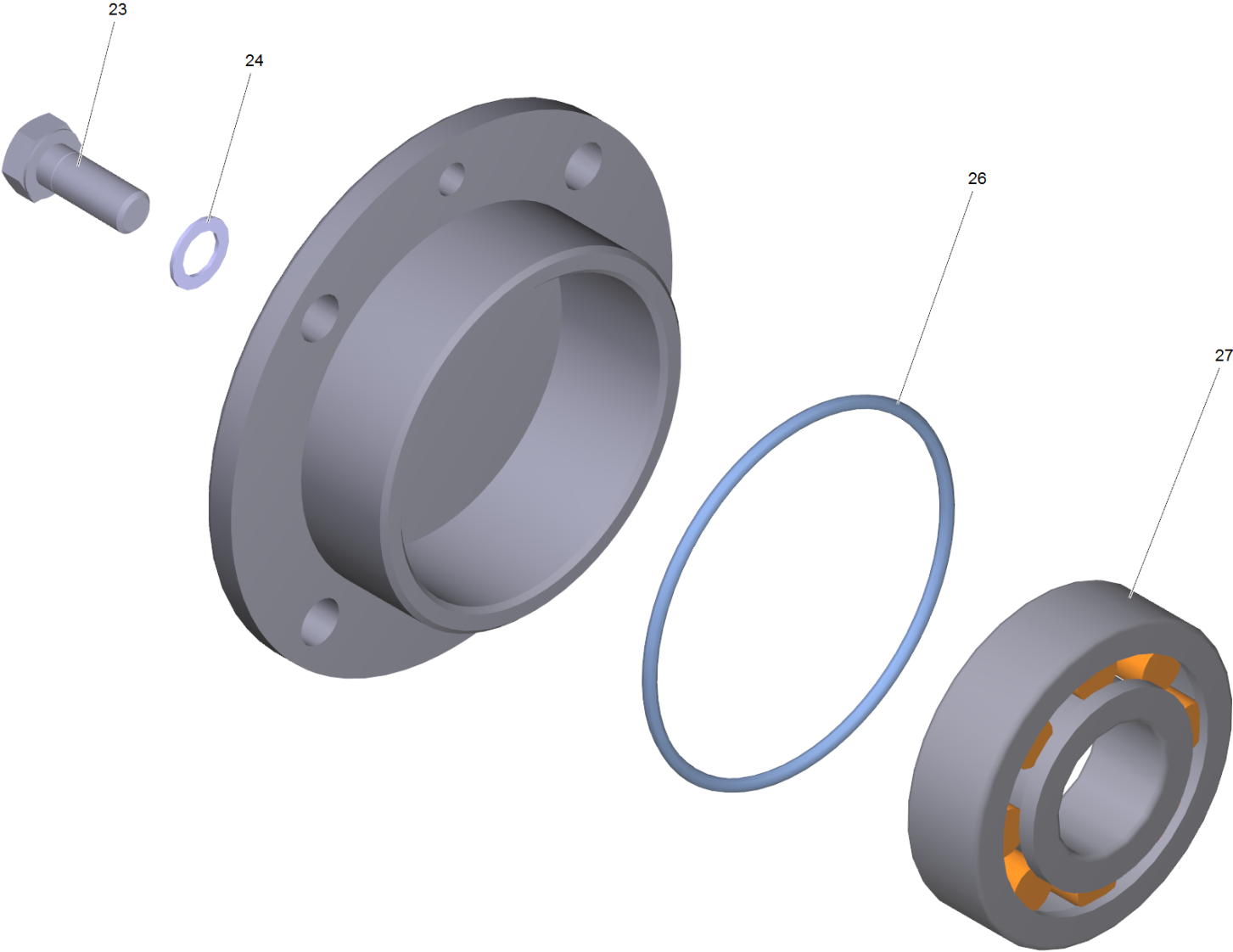
9002 Valve complete replacement (6.413-585.0)

POS	Article no.	Description	Quantity	Unit
11	6.363-683.0	O-Ring seal replacement 2.62x21.89	1.000	ST
13	6.363-684.0	O-Ring seal replacement 3.53x25.80-134	1.000	ST



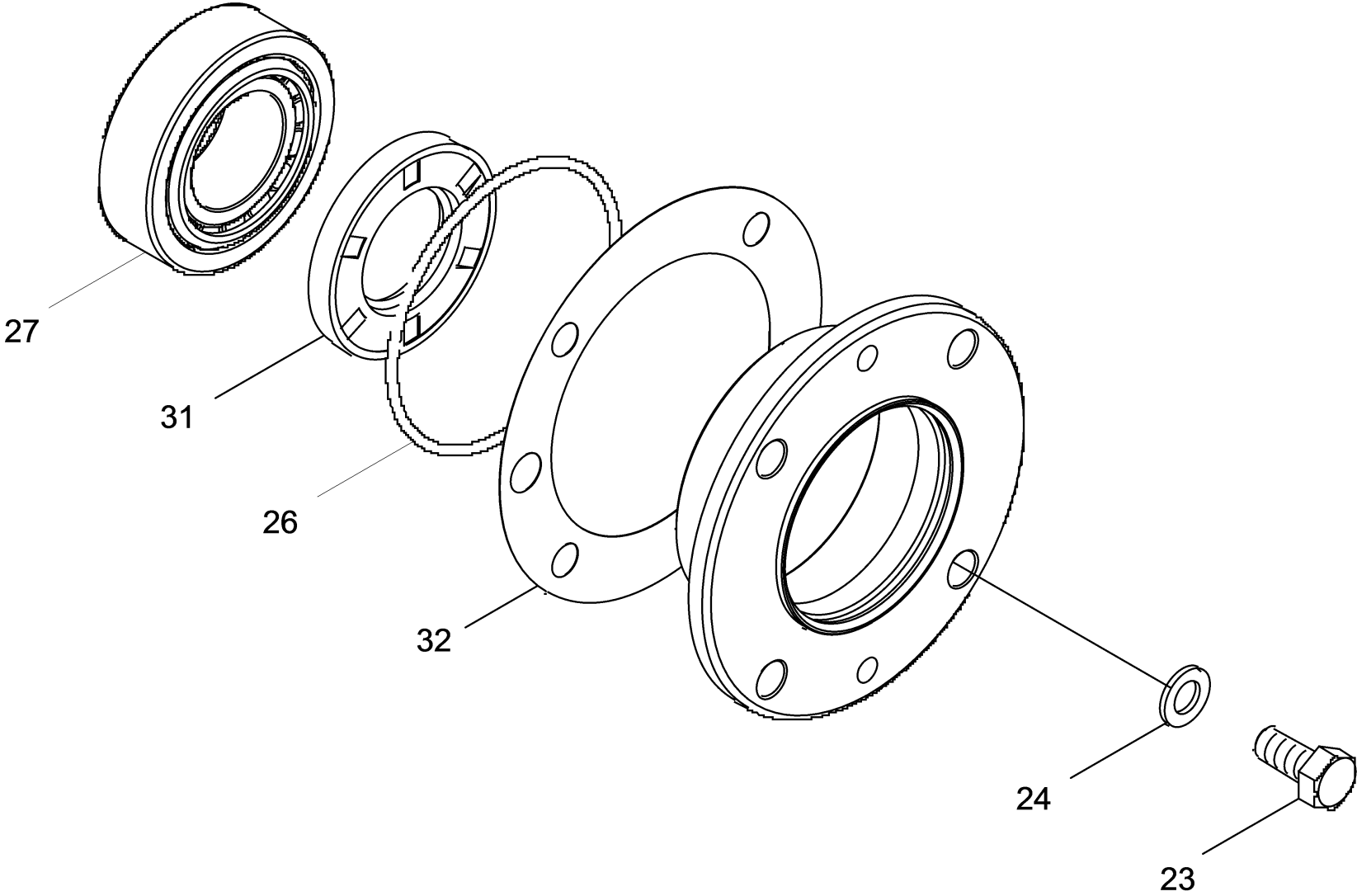
9002 Spare parts set gear Leuco (2.885-418.0)

POS	Article no.	Description	Quantity	Unit
44	6.063-000.0	Cover crank housing	1.000	ST
30	6.401-006.0	Cover oil	1.000	ST
43	6.363-257.0	O-Ring seal	1.000	ST
45	6.363-685.0	O-Ring seal 1.78x14.00	1.000	ST
47	9.761-093.0	Oil inspection glass G3/4"	1.000	ST
2	6.363-552.0	Oil seal	3.000	ST
102	6.318-000.0	Parallel key	1.000	ST
48	6.304-004.0	Screw	4.000	ST
46	6.382-015.0	Screw plug	1.000	ST
101	6.347-014.0	Set closed bearing side	1.000	ST
104	6.347-011.0	Set open bearing side	1.000	ST
103	6.347-008.0	Sleeve complete	1.000	ST



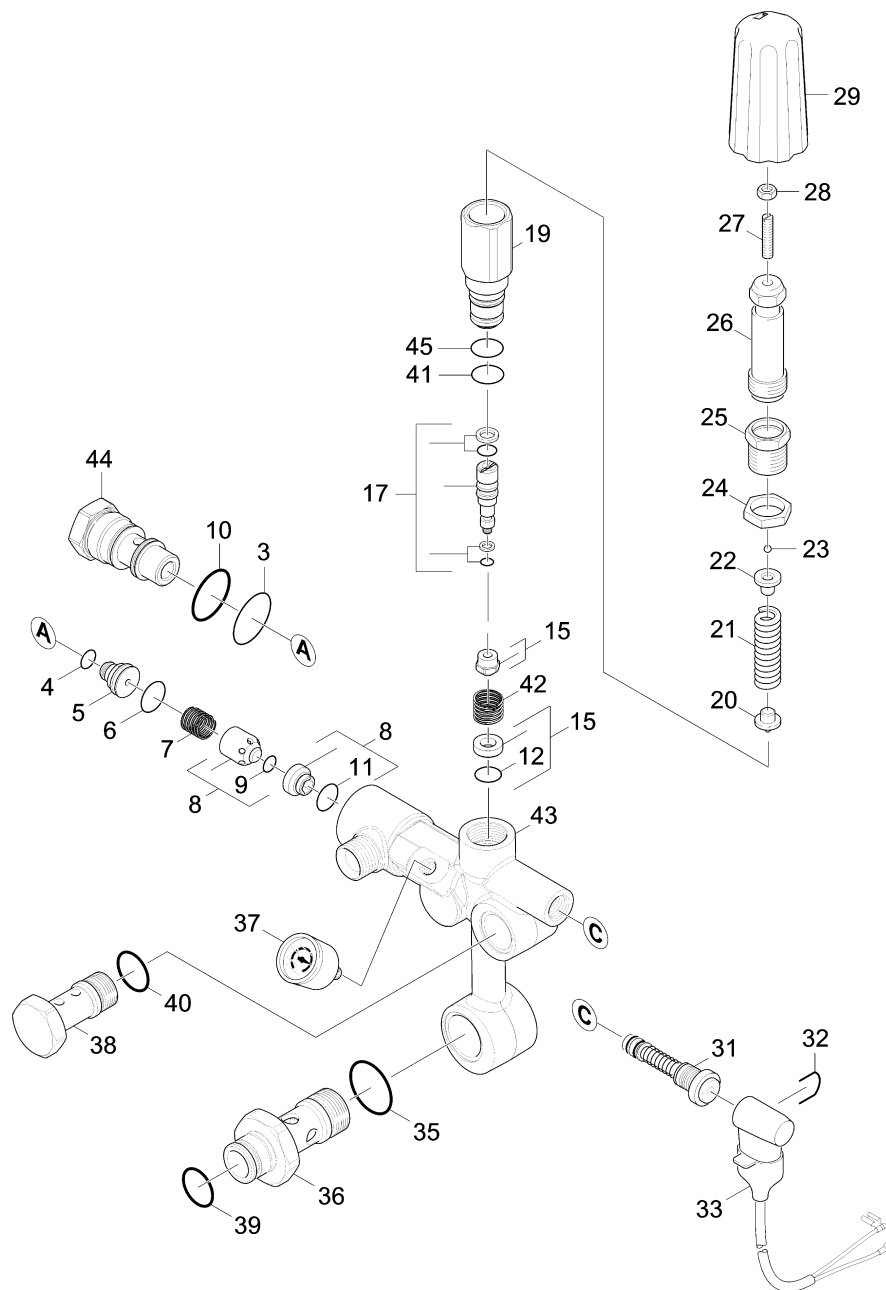
101 Set closed bearing side (6.347-014.0)

POS	Article no.	Description	Quantity	Unit
27	6.401-008.0	Bearing roll	1.000	ST
23	6.304-002.0	Hexagonal head screw	4.000	ST
26	6.363-690.0	O-Ring seal D71.12x2.62	1.000	ST
24	6.313-008.0	Washer	4.000	ST



104 Set open bearing side (6.347-011.0)

POS	Article no.	Description	Quantity	Unit
27	6.401-008.0	Bearing roll	1.000	ST
32	6.100-477.0	Distance holder only for replacement	1.000	ST
23	6.304-002.0	Hexagonal head screw	4.000	ST
26	6.363-690.0	O-Ring seal D71.12x2.62	1.000	ST
31	6.100-476.0	Seal crankshaft only for replacement	1.000	ST
24	6.313-008.0	Washer	4.000	ST

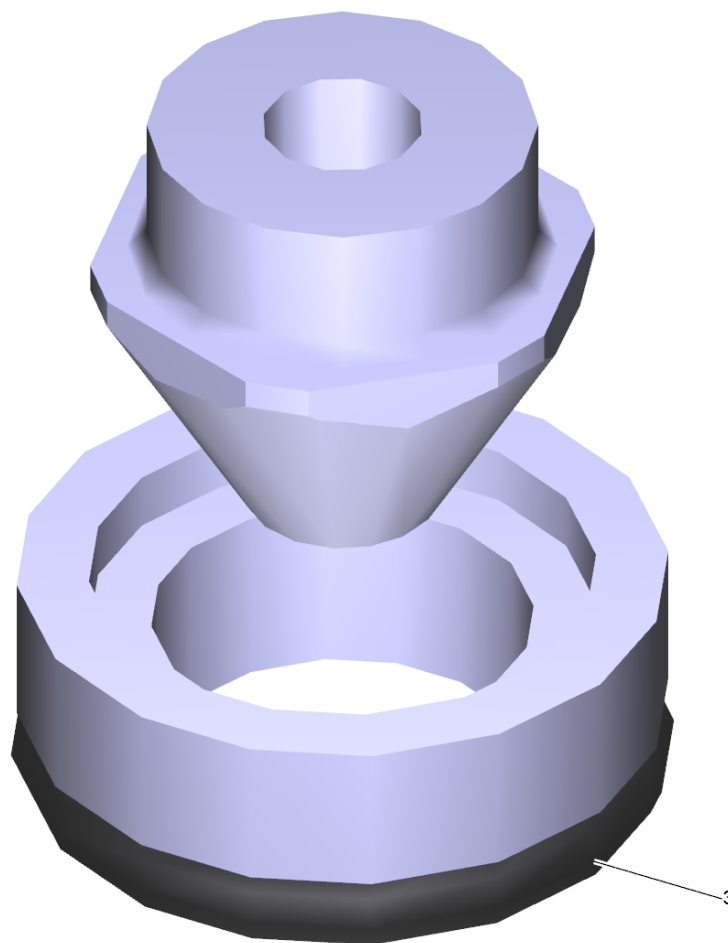


23 Excess-current

POS	Article no.	Description	Quantity	Unit
22	5.582-142.0	Bush	1.000	ST
29	5.322-103.0	Handle	1.000	ST
7	5.332-207.0	Helical spring	1.000	ST
26	5.304-070.0	Hexagonal head screw	1.000	ST
28	7.311-002.0	Hexagon nut M5 -6-A2E ISO 4032	1.000	ST
24	5.311-204.0	Hexagon nut M22x1,5	1.000	ST
25	5.404-082.0	Hollow screw	1.000	ST
38	5.304-107.0	Hollow screw HD 20/15 - 4 HD 16/15 - 4	1.000	ST
36	5.304-109.0	Hollow screw intake	1.000	ST
43	5.427-441.0	Manifold	1.000	ST
5	5.769-223.0	Nozzle insert	1.000	ST
4	6.362-960.0	O-Ring seal 7,0x1,5 - NBR 70	1.000	ST
9	6.363-353.0	O-Ring seal 7x2,4 PUR 94	1.000	ST
12	6.363-003.0	O-Ring seal 13,0 X 2,0-NBR 90	1.000	ST
41	6.362-598.0	O-Ring seal 13,94X 2,62	2.000	ST
6	6.362-481.0	O-Ring seal 14,0 x 2,0 NBR 80	1.000	ST
11	6.363-608.0	O-Ring seal 15x1,5 NBR 90	1.000	ST
45	6.362-174.0	O-Ring seal 16,0 X 2,0-NBR 70	1.000	ST
39	9.761-003.0	O-Ring seal 20.24 x 2.62	1.000	ST
40	6.363-550.0	O-Ring seal 21,95 x 1,78	2.000	ST
3	6.362-518.0	O-Ring seal 21,95X1,78-NBR 80	1.000	ST
10	6.362-522.0	O-Ring seal 24,0 X 2,0	1.000	ST
35	6.363-549.0	O-Ring seal 26.70 x 1.78	2.000	ST
37	6.421-358.0	Pressure gauge 0-30 MPa	1.000	ST
42	5.332-557.0	Pressure spring	1.000	ST
21	5.332-988.0	Pressure spring 3,7x11,4x54,9	1.000	ST
32	5.034-494.0	Retaining bracket	1.000	ST
19	5.402-772.0	Screw union	1.000	ST
44	5.402-736.0	Screw union	1.000	ST
17	2.885-165.0	Spare part set excess-current only for r	1.000	ST
15	2.885-164.0	Spare part set valve seat only for repla	1.000	ST
31	2.883-988.0	SPARE PARTS SET	1.000	ST
8	2.884-892.0	Spare parts set valve pin only for repla	1.000	ST

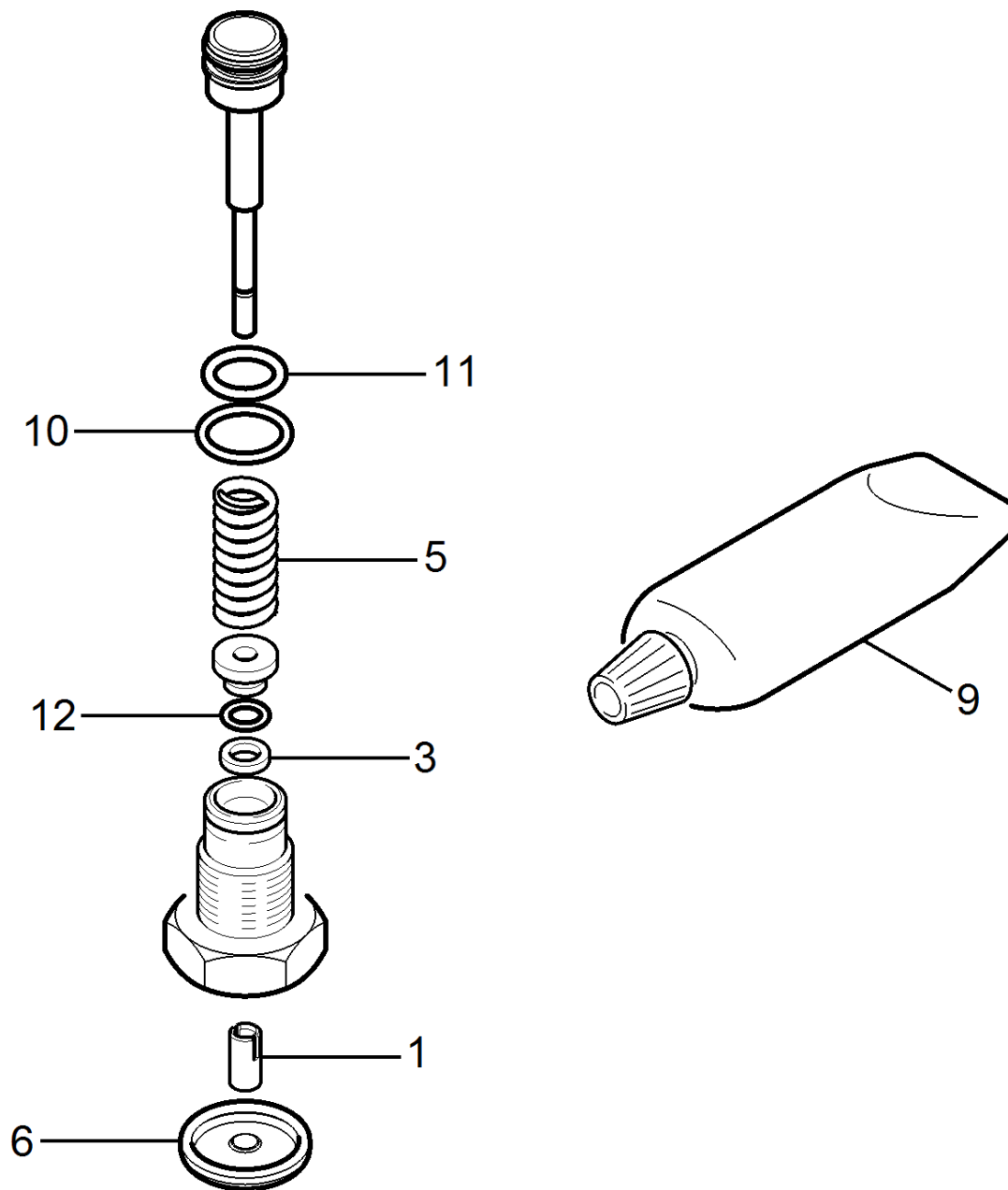
23 Excess-current

POS	Article no.	Description	Quantity	Unit
23	7.401-921.0	Sphere 4 G20 -1.4034 DIN 5401	1.000	ST
33	4.744-234.0	Switch complete	1.000	ST
27	7.307-017.0	Threaded pin M5x40 -St-45H-A2E ISO 4026	1.000	ST
20	5.584-145.0	Valve pin excess-current	1.000	ST



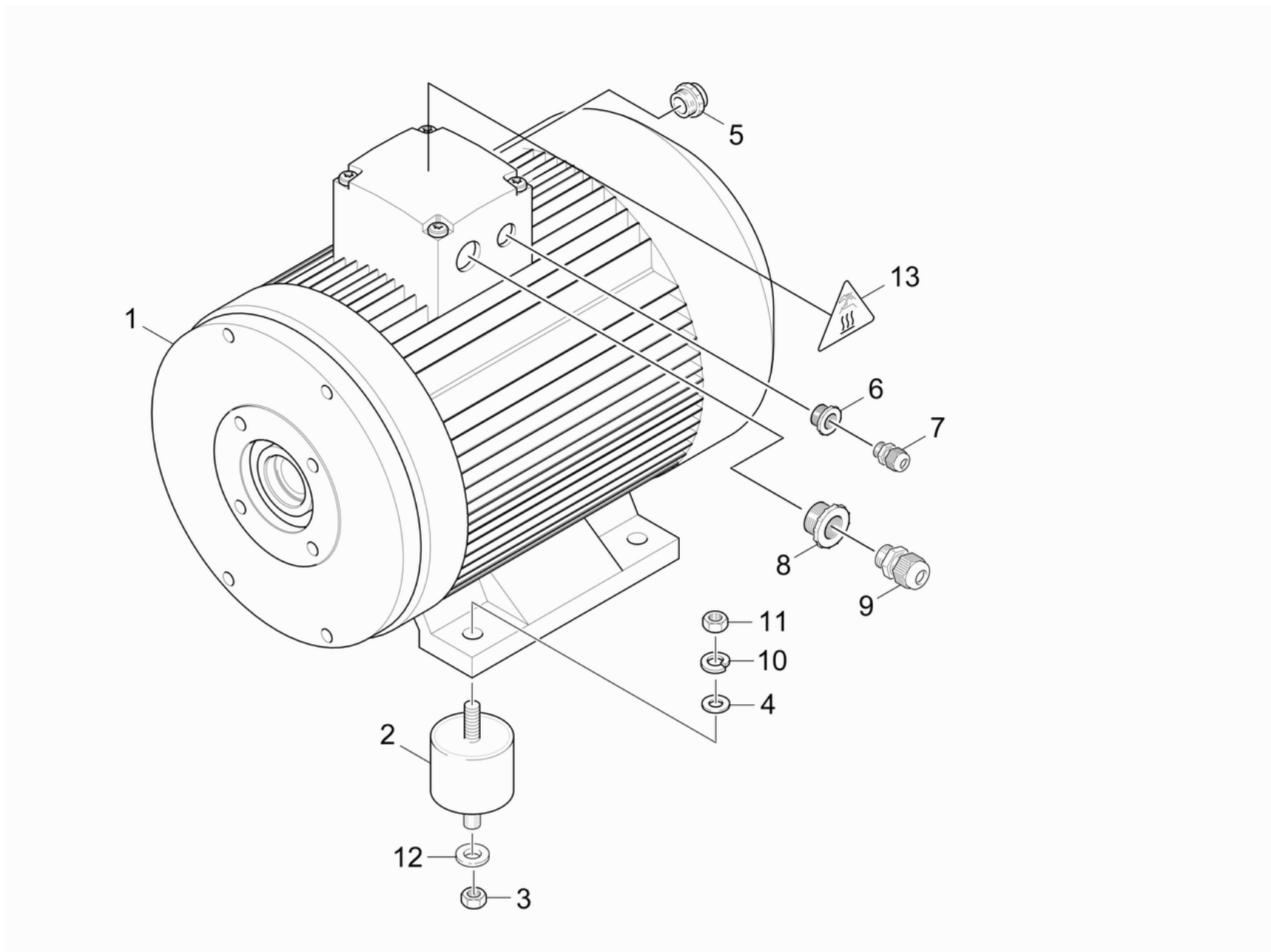
15 Spare part set valve seat only for repla (2.885-164.0)

POS	Article no.	Description	Quantity	Unit
3	6.363-003.0	O-Ring seal 13,0 X 2,0-NBR 90	1.000	ST



31 SPARE PARTS SET (2.883-988.0)

POS	Article no.	Description	Quantity	Unit
6	5.367-030.0	Diaphragm	1.000	ST
5	5.332-511.0	Helical spring	1.000	ST
12	6.363-241.0	O-Ring seal 2,90x1,78	1.000	ST
11	6.363-611.0	O-Ring seal 8,73 x 1,78 -NBR	1.000	ST
10	6.363-615.0	O-Ring seal 11 x 1,5 -NBR70	1.000	ST
9	6.288-044.0	Silicon grease 100 G	1.000	ST
1	5.110-947.0	Sleeve	1.000	ST
3	5.114-513.0	Supportring	1.000	ST

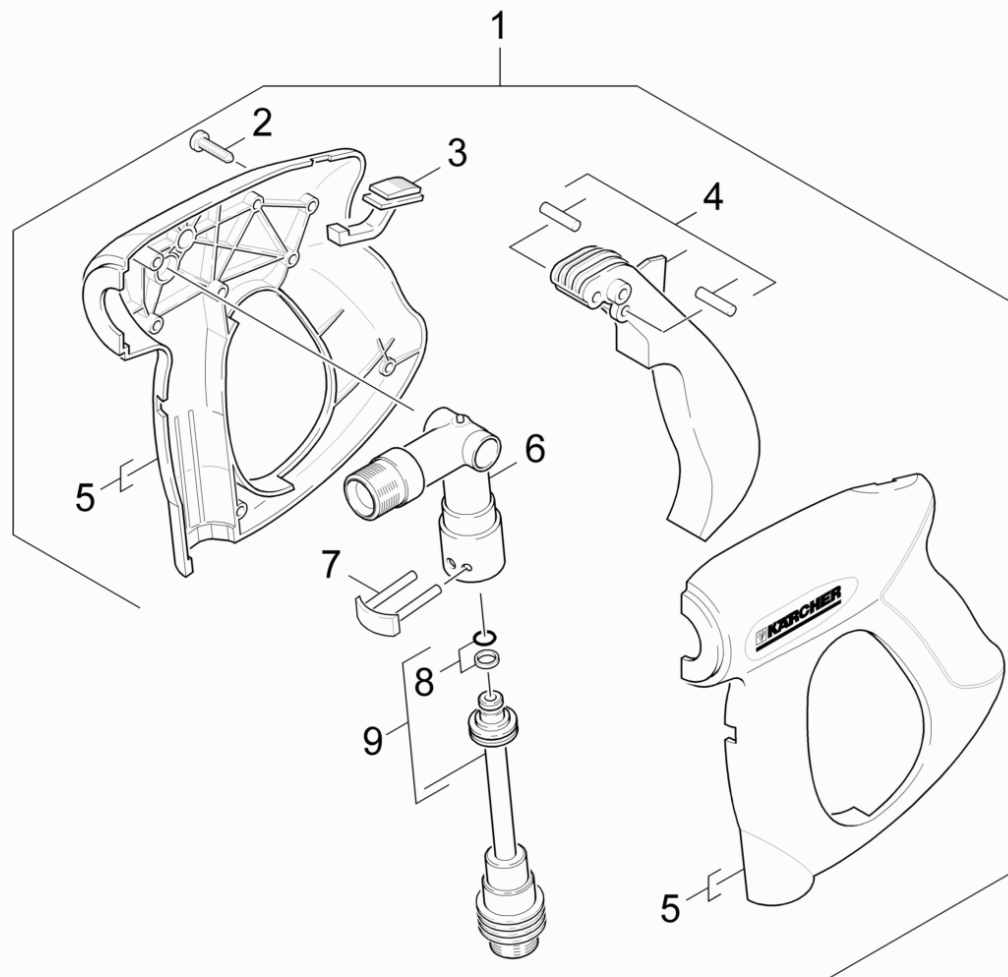


30 Motor

POS	Article no.	Description	Quantity	Unit
7	6.648-399.0	Cable gland black M16x1,5	1.000	ST
9	6.648-401.0	Cable gland black M25X1,5	1.000	ST
1	6.491-952.0	Electric motor 7,5 KW	1.000	ST
3	7.311-423.0	Hexagon nut M10 -04-A2E DIN 985	4.000	ST
11	7.311-006.0	Hexagon nut M10 -8-A3E ISO 4032	4.000	ST
6	6.648-459.0	Reduction M32x1,5-M16x1,5	1.000	ST
8	6.648-461.0	Reduction M32x1,5-M25x1,5	1.000	ST
2	6.339-075.0	Rubber buffer D50X30	4.000	ST
10	7.313-005.0	Spring washer B10-FSt-A3E DIN 127	4.000	ST
5	6.648-440.0	Twisting sleeve M16x1,5	1.000	ST
13	6.643-943.0	Warning sign hot	1.000	ST
12	7.312-005.0	Washer 10-200HV-A3E ISO 7089	8.000	ST
4	7.312-290.0	Washer 10-A2 ISO 7093-1	4.000	ST

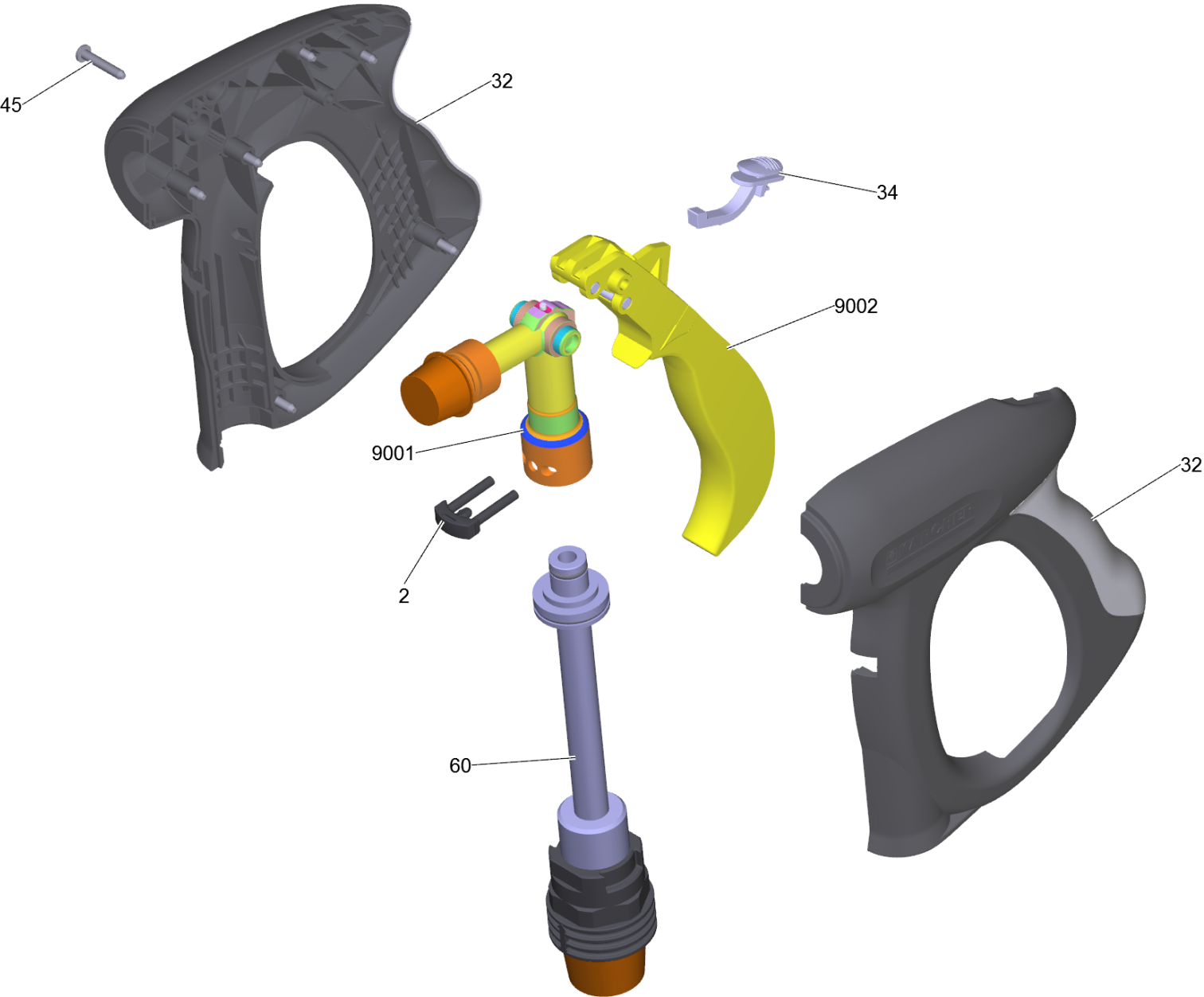
40 Accessories

POS	Description	Quantity	Unit
46	Dirt blaster	1.000	ST
41	Hand trigger gun	1.000	ST
43	High pressure hose	1.000	ST
44	Jet pipe	1.000	ST
45	Power nozzle	1.000	ST
42	Rotary controller	1.000	ST



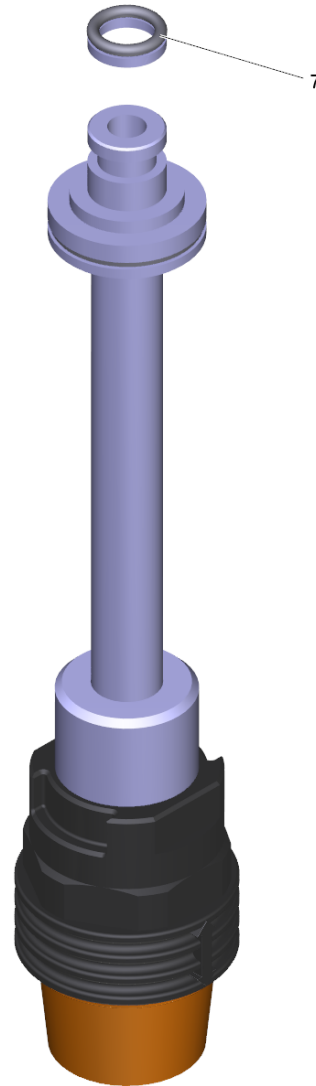
41 Hand trigger gun

POS	Article no.	Description	Quantity	Unit
9	4.421-739.3	Adapter pipelines AVS-M22x1,5	1.000	ST
5	5.321-669.3	Handhold few	1.000	ST
1	4.775-466.0	Hand trigger gun	1.000	ST
7	4.037-013.0	Hook	2.000	ST
4	4.481-209.0	Lever complete	1.000	ST
6	4.427-215.0	Manifold complete only for replacement	1.000	ST
8	4.363-691.0	O-Ring seal kpl. -nur fuer Ersatz-	1.000	ST
2	7.303-096.0	Screw 4x22 -ST-10.9-R2R (IN6RD)	7.000	ST
3	5.481-331.0	Slider	1.000	ST



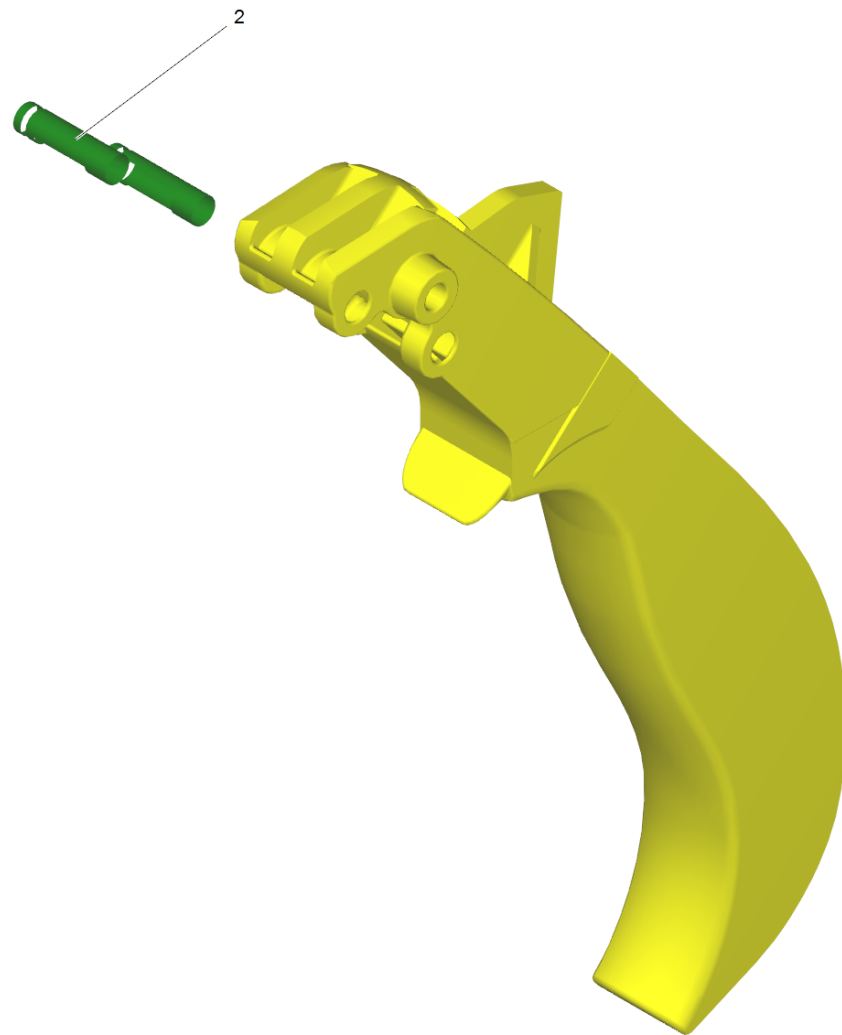
1 Hand trigger gun (4.775-466.0)

POS	Article no.	Description	Quantity	Unit
60	4.421-739.3	Adapter pipelines AVS-M22x1,5	1.000	ST
32	5.321-669.3	Handhold few	1.000	ST
2	4.037-013.0	Hook	1.000	ST
9002	4.481-209.0	Lever complete	1.000	ST
9001	4.427-215.0	Manifold complete only for replacement	1.000	ST
45	7.303-096.0	Screw 4x22 -ST-10.9-R2R (IN6RD)	7.000	ST
34	5.481-331.0	Slider	1.000	ST



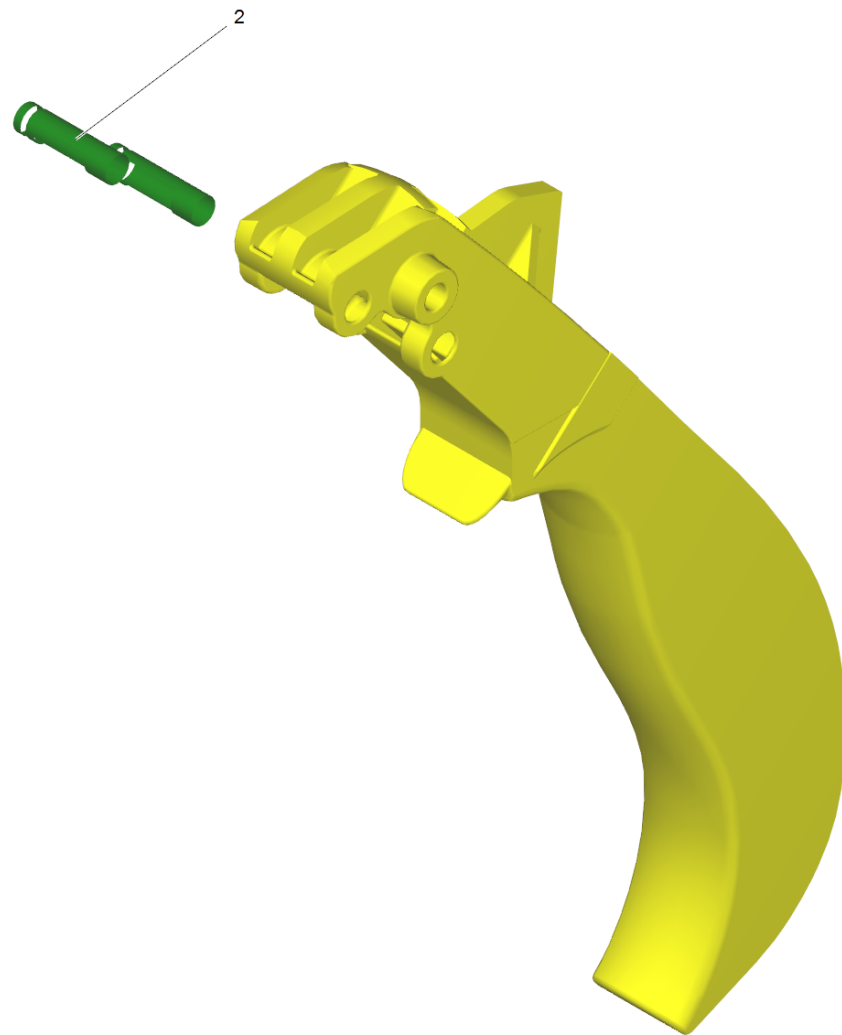
60 Adapter pipelines AVS-M22x1,5 (4.421-739.3)

POS	Article no.	Description	Quantity	Unit
7	4.363-691.0	O-Ring seal kpl. -nur fuer Ersatz-	1.000	ST



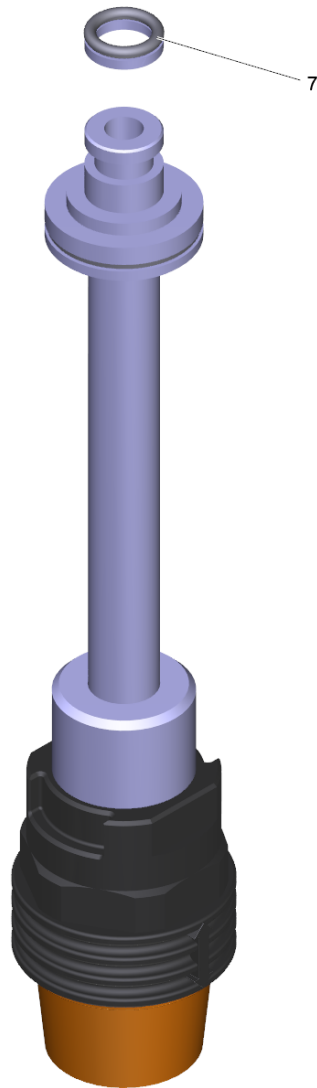
9002 Lever complete (4.481-209.0)

POS	Article no.	Description	Quantity	Unit
2	5.314-119.0	Pin	2.000	ST



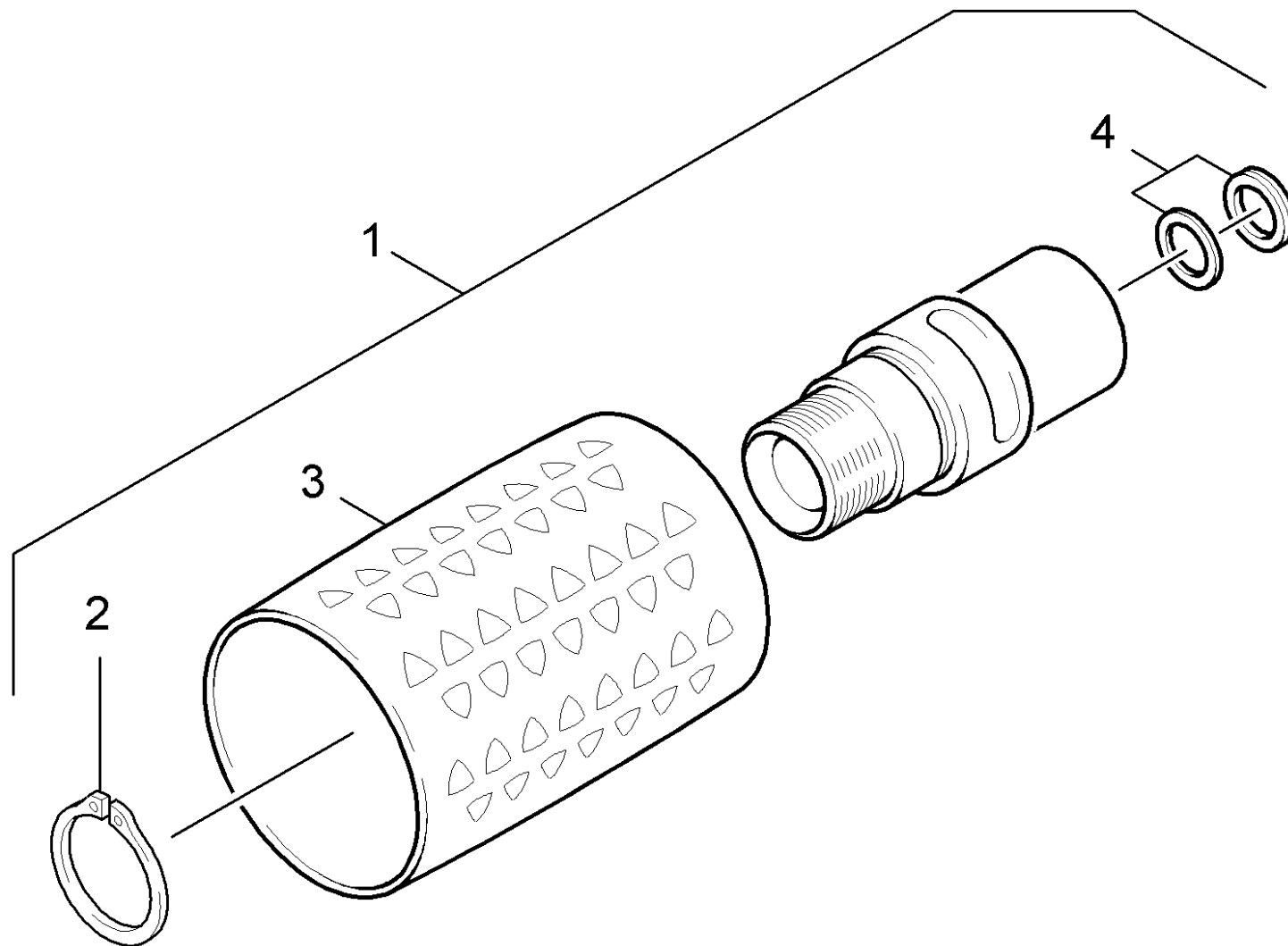
4 Lever complete (4.481-209.0)

POS	Article no.	Description	Quantity	Unit
2	5.314-119.0	Pin	2.000	ST



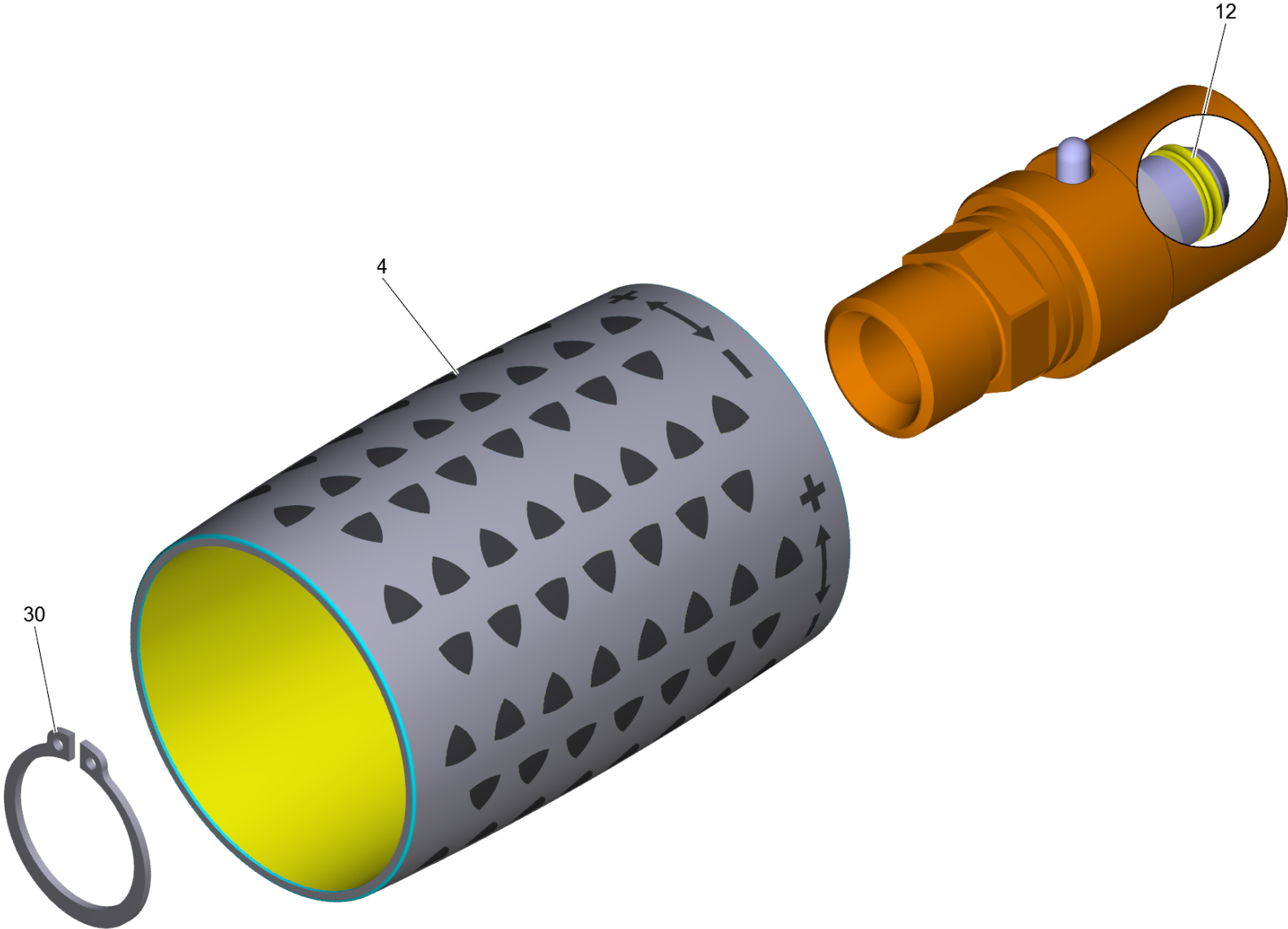
9 Adapter pipelines AVS-M22x1,5 (4.421-739.3)

POS	Article no.	Description	Quantity	Unit
7	4.363-691.0	O-Ring seal kpl. -nur fuer Ersatz-	1.000	ST



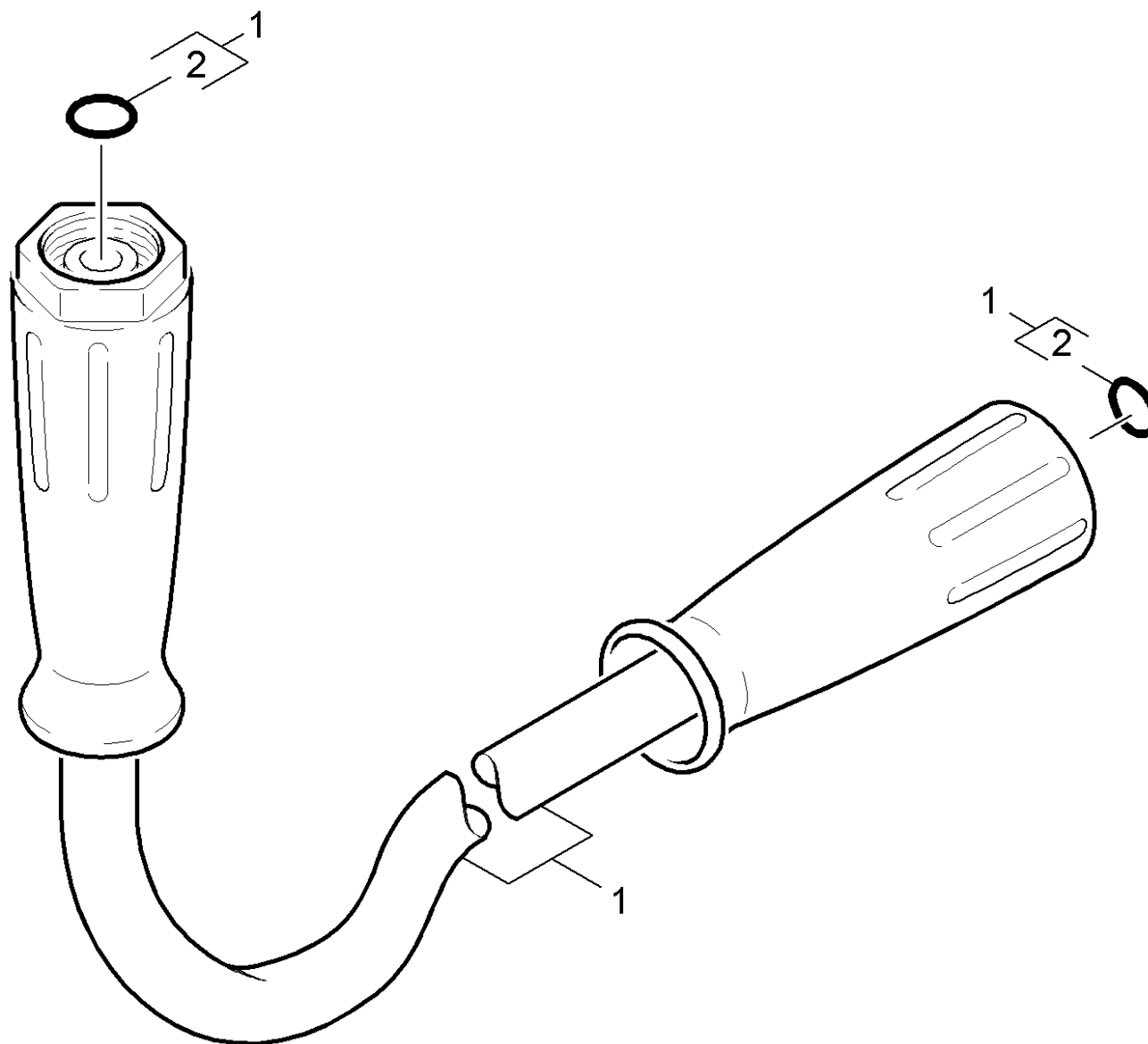
42 Rotary controller

POS	Article no.	Description	Quantity	Unit
4	4.363-695.0	Grooved ring only for replacement	1.000	ST
3	5.321-668.0	Handle	1.000	ST
2	7.343-069.0	Locking ring 25x1,2-1.4122 DIN 471	1.000	ST
1	4.775-471.0	Rotary controller 700L	1.000	ST



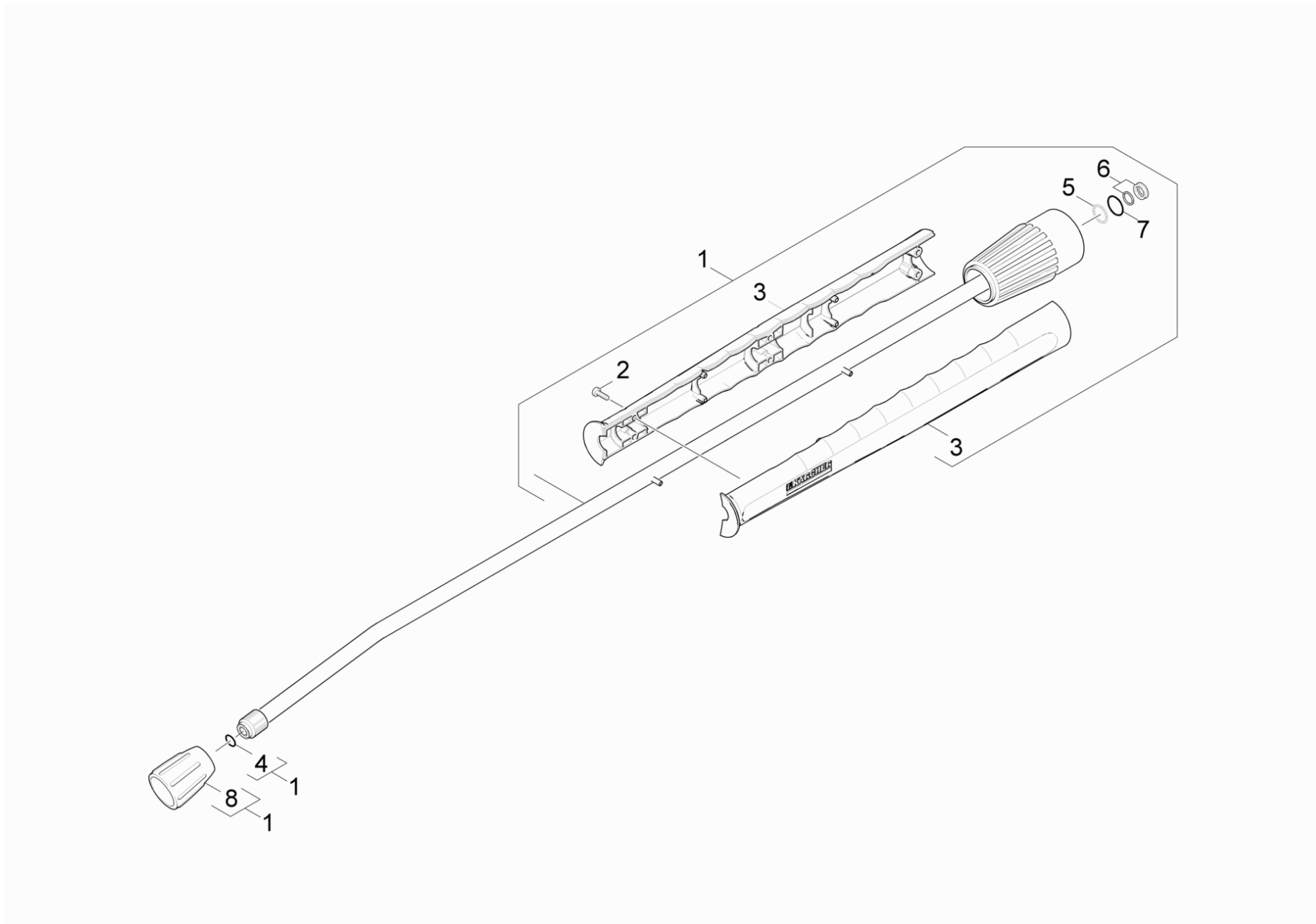
1 Rotary controller 700L (4.775-471.0)

POS	Article no.	Description	Quantity	Unit
4	5.321-668.0	Handle	1.000	ST
30	7.343-069.0	Locking ring 25x1,2-1.4122 DIN 471	1.000	ST
12	6.362-064.0	Quad joint ring 9.19x2.62	1.000	ST



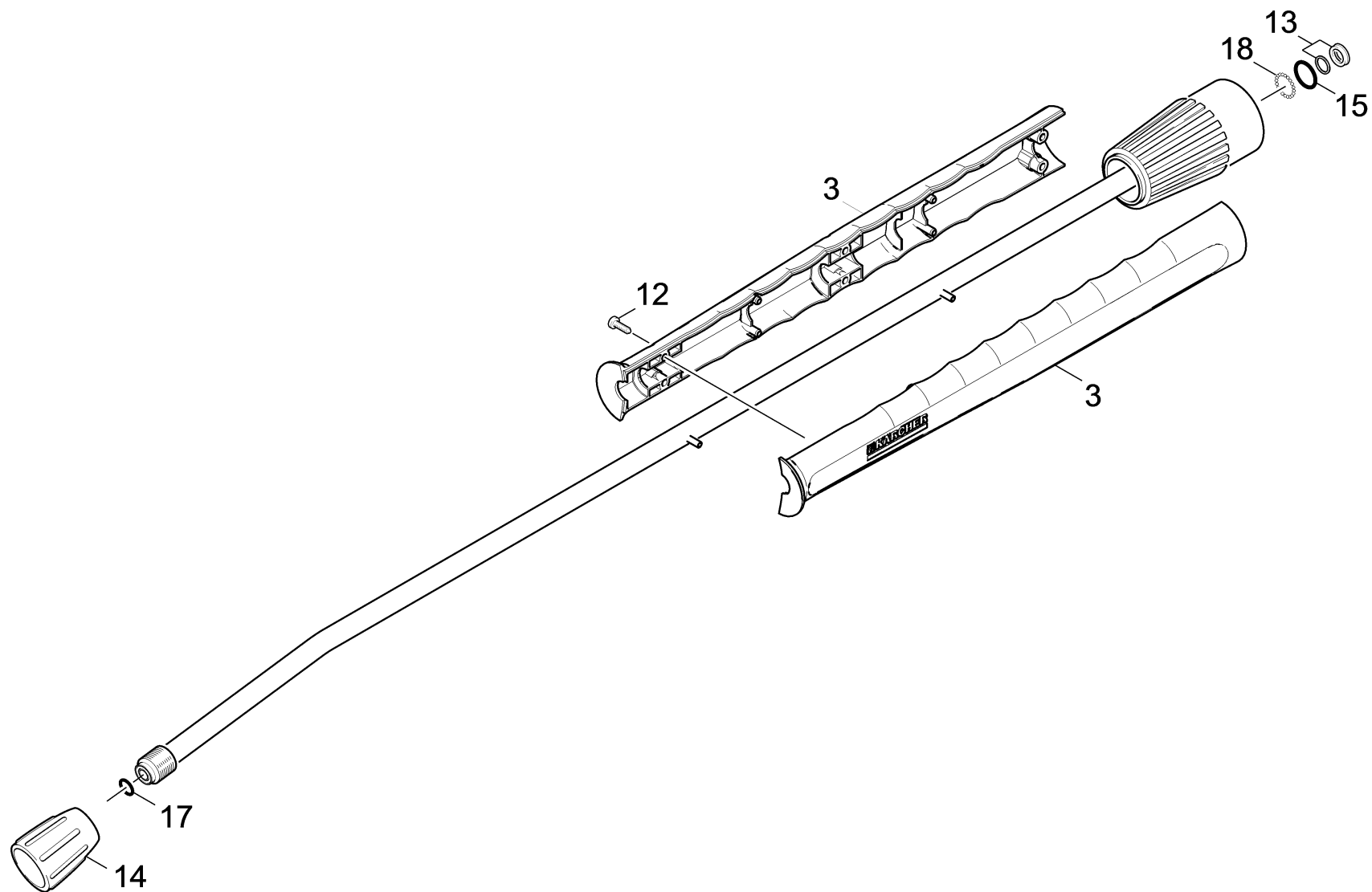
43 High pressure hose

POS	Article no.	Description	Quantity	Unit
1	6.390-023.0	Hose assembly premium DN10 22MPa 15m	1.000	ST
2	2.880-990.0	Spare part set O-Ring 5x -Kaercher	1.000	ST



44 Jet pipe

POS	Article no.	Description	Quantity	Unit
6	4.363-692.0	Grooved ring kpl. -nur fuer Ersatz-	1.000	ST
3	5.321-855.0	Handhold few jet pipe with welding bolt	1.000	ST
1	4.760-660.0	Jet pipe packaged only for replacement	1.000	ST
7	6.362-524.0	O-Ring seal 17,0 X 1,5	1.000	ST
2	7.303-129.0	Screw 4x16 -10.9-R2R (K-In6Rd)	6.000	ST
8	5.401-210.0	Screw connector part	1.000	ST
4	2.880-990.0	Spare part set O-Ring 5x -Kaercher	1.000	ST
5	7.401-915.0	Sphere 2,5 G40 -1.4034 DIN 5401	20.000	ST



1 Jet pipe packaged only for replacement (4.760-660.0)

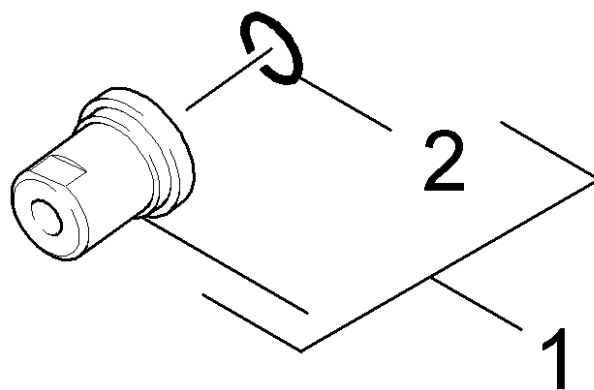
POS	Article no.	Description	Quantity	Unit
13	4.363-692.0	Grooved ring kpl. -nur fuer Ersatz-	1.000	ST
3	5.321-855.0	Handhold few jet pipe with welding bolt	1.000	ST
15	6.362-524.0	O-Ring seal 17,0 X 1,5	1.000	ST
12	7.303-129.0	Screw 4x16 -10.9-R2R (K-In6Rd)	6.000	ST
14	5.401-210.0	Screw connector part	1.000	ST
17	2.880-990.0	Spare part set O-Ring 5x -Kaercher	1.000	ST
18	7.401-915.0	Sphere 2,5 G40 -1.4034 DIN 5401	1.000	ST

14 Screw connector part (5.401-210.0)

POS	Description	Quantity	Unit
10	SCREW CONNECTOR PART	1.000	ST

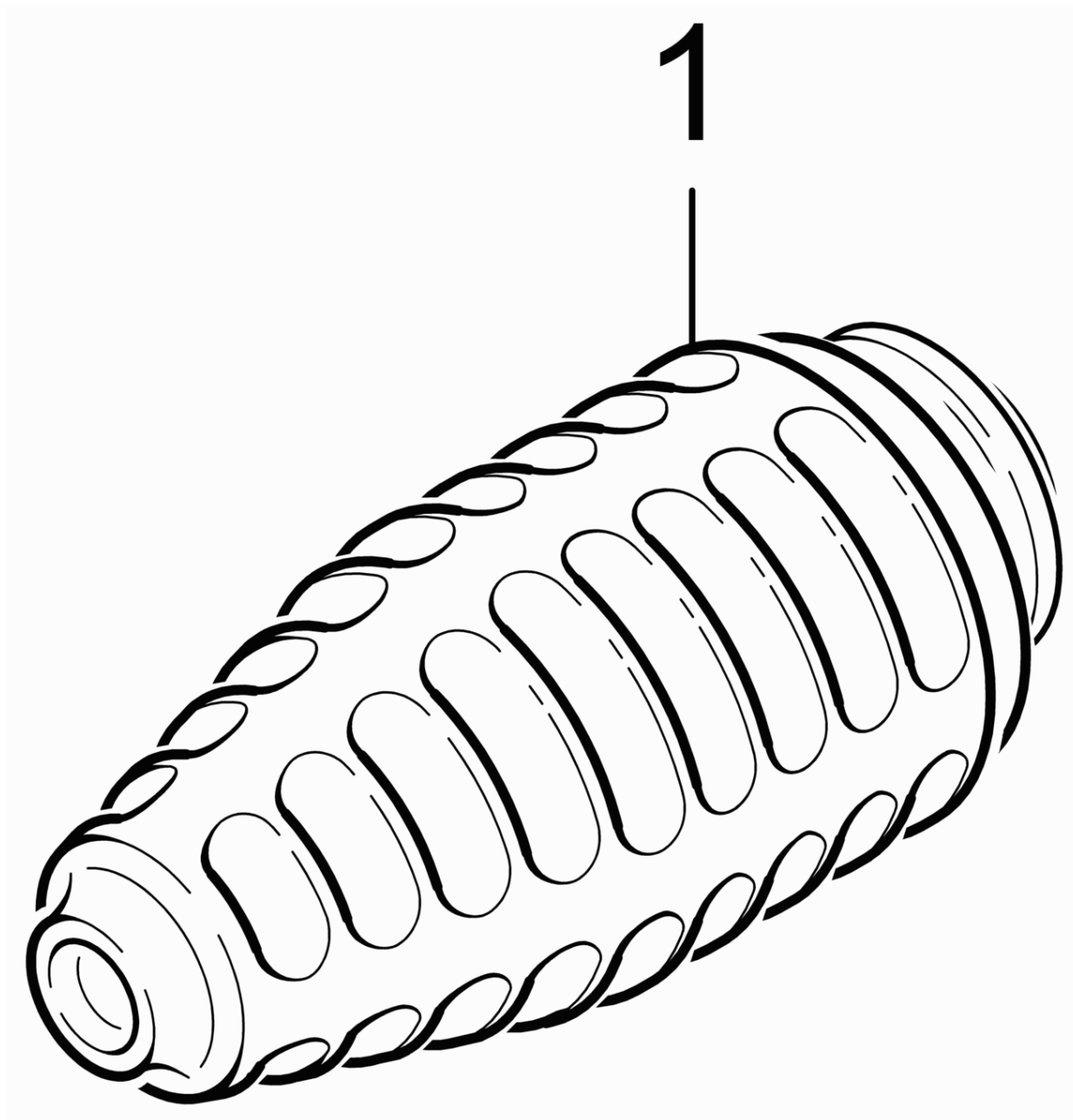
8 Screw connector part (5.401-210.0)

POS	Description	Quantity	Unit
10	SCREW CONNECTOR PART	1.000	ST



45 Power nozzle

POS	Article no.	Description	Quantity	Unit
1	2.883-408.0	Power nozzle 25100	1.000	ST
2	2.880-990.0	Spare part set O-Ring 5x -Kaercher	1.000	ST



46 Dirt blaster

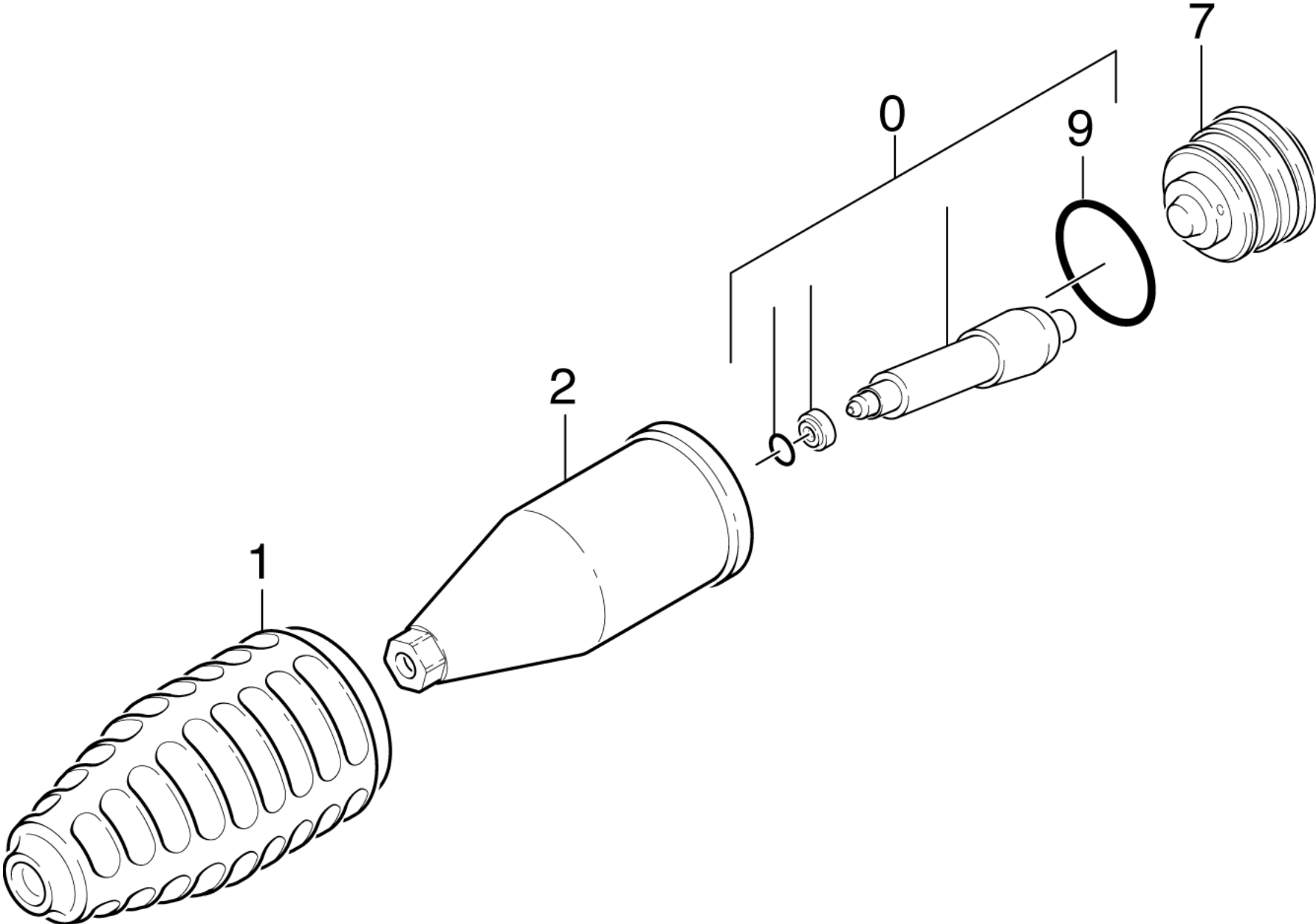
POS	Article no.	Description	Quantity	Unit
1	4.764-208.0	Dirt blaster 100 Nur für Ersatz	1.000	ST
2	2.885-196.0	Spare parts set rotor 100	1.000	ST

1 Dirt blaster 100 Nur für Ersatz (4.764-208.0)

POS	Article no.	Description	Quantity	Unit
11	5.955-641.0	Spare parts list dirt blaster	1.000	ST

11 Spare parts list dirt blaster (5.955-641.0)

POS	Description	Quantity	Unit
10	Dirt blaster	1.000	ST

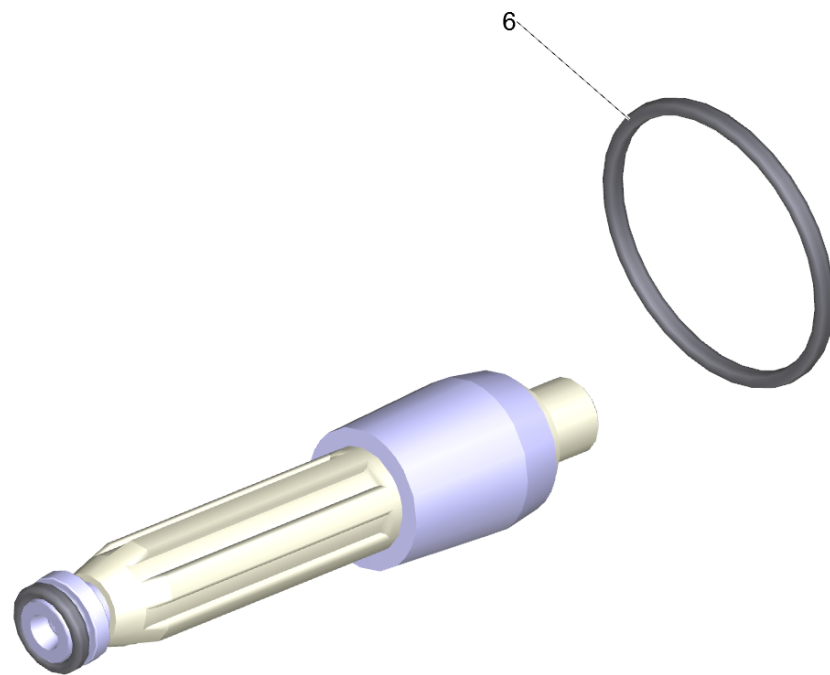


10 Dirt blaster

POS	Article no.	Description	Quantity	Unit	Remark
7	5.063-708.0	Cover	1.000	ST	
	Item text1: / 4.763-930.0				
7	5.063-709.0	Cover	1.000	ST	
	Item text1: / 4.763-931.0				
7	5.063-626.0	Cover DGR F 04	1.000	ST	4.763-252/-936
	Item text1: / 4.763-252.0				
7	5.063-647.0	Cover DGR F 05	1.000	ST	
	Item text1: / 4.763-253.0				
7	5.063-618.0	Cover DGR F 055/F 06	1.000	ST	4.763-250/-938
	Item text1: / 4.763-250.0				
7	5.063-648.0	Cover DGR F 70/F 08	1.000	ST	
	Item text1: / 4.763-254.0 / 4.767-076.0				
7		Cover high-pressure 20/15	1.000	ST	4.764-204.0
7	5.064-357.0	Cover high-pressure 25/15-4	1.000	ST	4.764-201.0 / 4.764-208.0
2	5.060-500.3	Housing	1.000	ST	
9	6.362-463.0	O-Ring seal 28,0 X 2,0-NBR 78	1.000	ST	
1	5.394-375.0	Protection part	1.000	ST	
0	2.884-052.0	Spare part set dirt blaster 035	1.000	ST	4.763-931.0
	Item text1: / 4.763-931.0				
0	2.883-471.0	Spare part set dirt blaster 04-HD 1050	1.000	ST	4.763-252.0
	Item text1: / 4.763-252.0				
0	2.884-113.0	Spare part set dirt blaster 045	1.000	ST	4.763-988.0
	Item text1: / 4.763-988.0				
0	2.883-472.0	Spare part set dirt blaster 05	1.000	ST	4.763-253.0
	Item text1: / 4.763-253.0				
0	2.883-473.0	Spare part set dirt blaster 055/06	1.000	ST	4.763-250.0
	Item text1: / 4.763-250.0				
0	2.884-114.0	Spare part set dirt blaster 065	1.000	ST	4.763-989.0
	Item text1: / 4.763-989.0				
0	2.883-474.0	Spare part set dirt blaster 07/08-HDS 8	1.000	ST	4.763-254.0
	Item text1: / 4.763-254.0				
0	2.884-316.0	Spare part set dirt blaster 09	1.000	ST	
	Item text1: / 4.767-076.0				

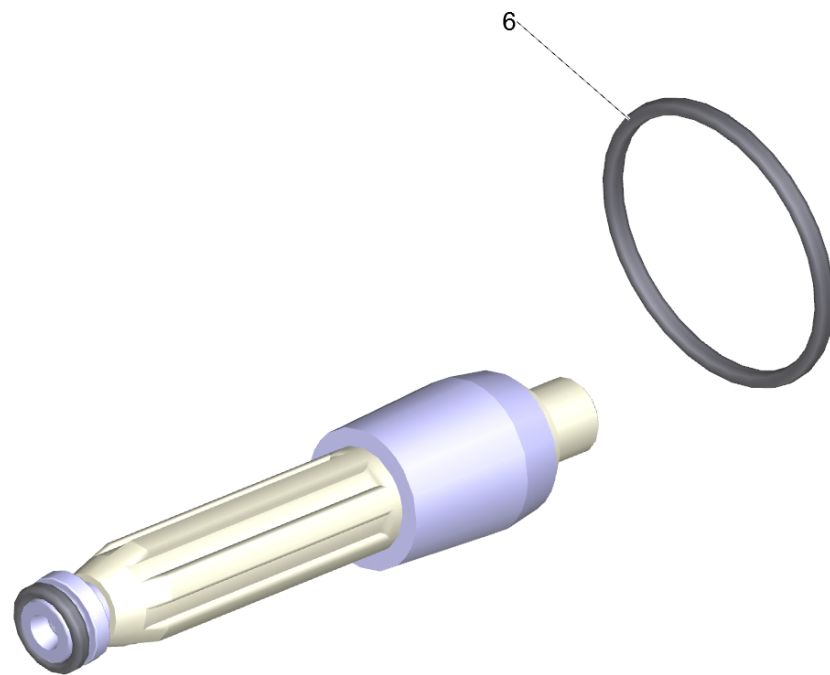
10 Dirt blaster

POS	Article no.	Description	Quantity	Unit	Remark
0	2.884-051.0	Spare part set dirt blaster 120	1.000	ST	4.763-930.0
	Item text1: / 4.763-930.0				
0		Spare part set rotor 125	1.000	ST	4.764-204.0
0	2.881-025.0	Spare part set rotor 170	1.000	ST	4.764-201.0
0	2.885-196.0	Spare parts set rotor 100	1.000	ST	4.764-208.0



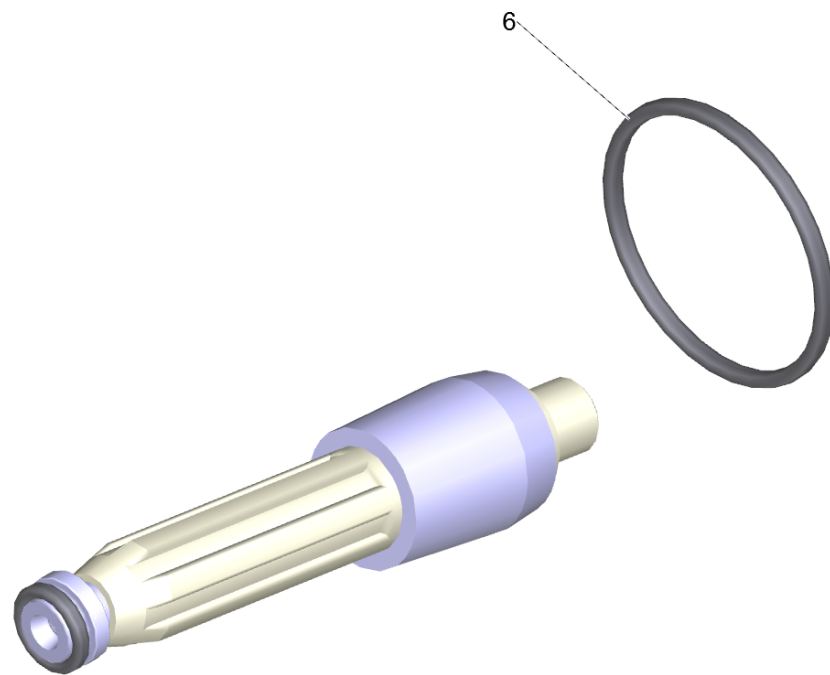
Spare part set rotor 170 (2.881-025.0)

POS	Article no.	Description	Quantity	Unit
6	6.362-463.0	O-Ring seal 28,0 X 2,0-NBR 78	1.000	ST



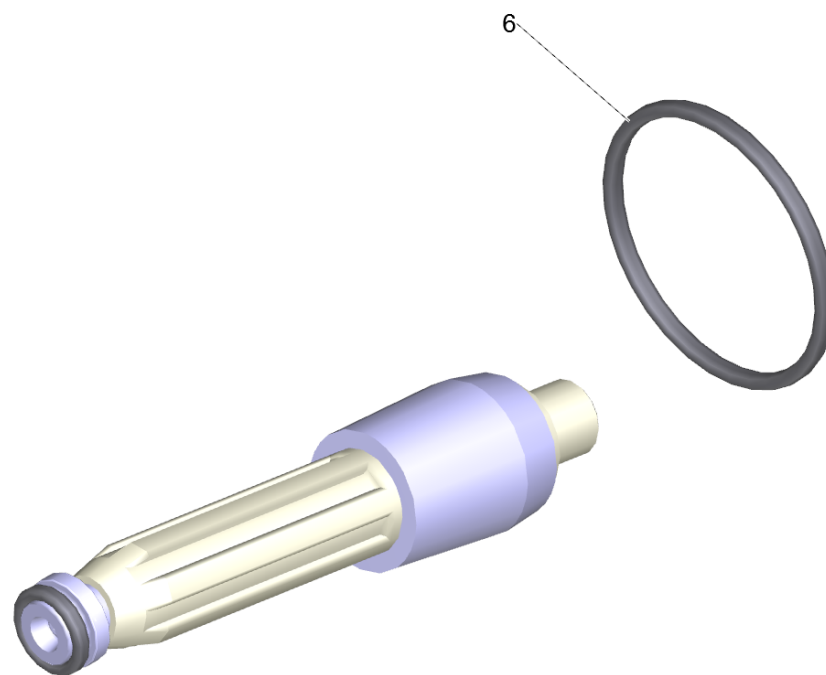
Spare part set dirt blaster 04-HD 1050 (2.883-471.0)

POS	Article no.	Description	Quantity	Unit
6	6.362-463.0	O-Ring seal 28,0 X 2,0-NBR 78	1.000	ST



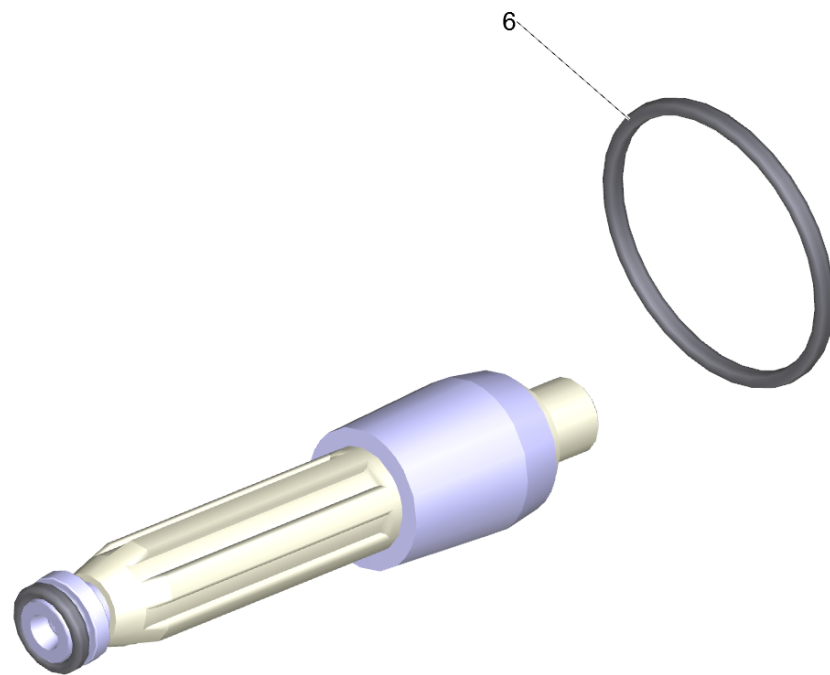
Spare part set dirt blaster 05 (2.883-472.0)

POS	Article no.	Description	Quantity	Unit
6	6.362-463.0	O-Ring seal 28,0 X 2,0-NBR 78	1.000	ST



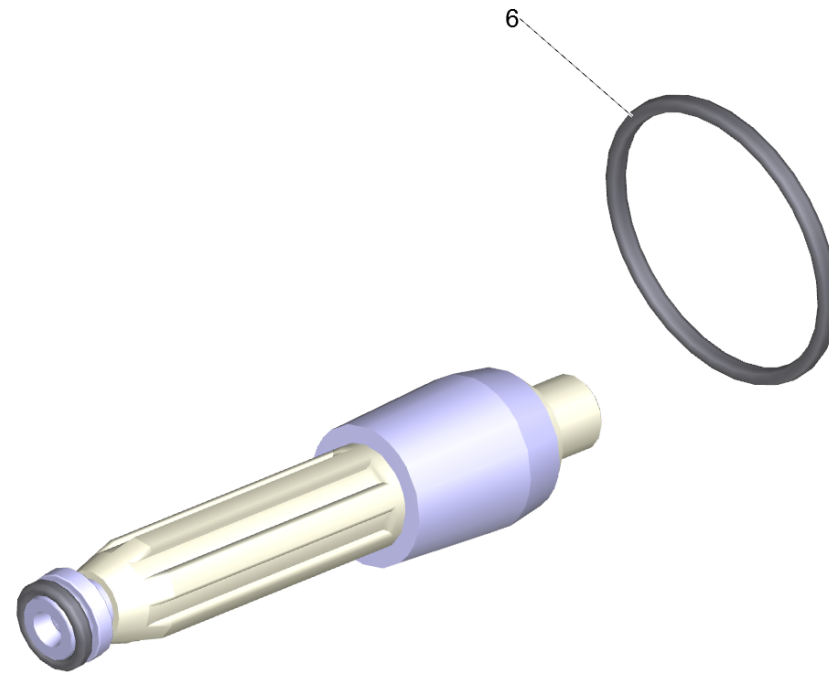
Spare part set dirt blaster 055/06 (2.883-473.0)

POS	Article no.	Description	Quantity	Unit
6	6.362-463.0	O-Ring seal 28,0 X 2,0-NBR 78	1.000	ST



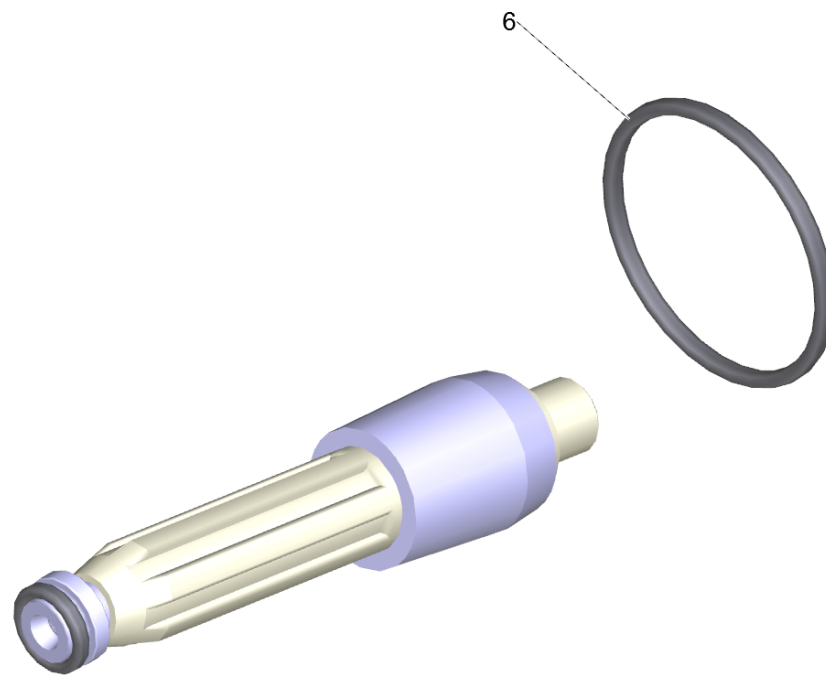
Spare part set dirt blaster 07/08-HDS 8 (2.883-474.0)

POS	Article no.	Description	Quantity	Unit
6	6.362-463.0	O-Ring seal 28,0 X 2,0-NBR 78	1.000	ST



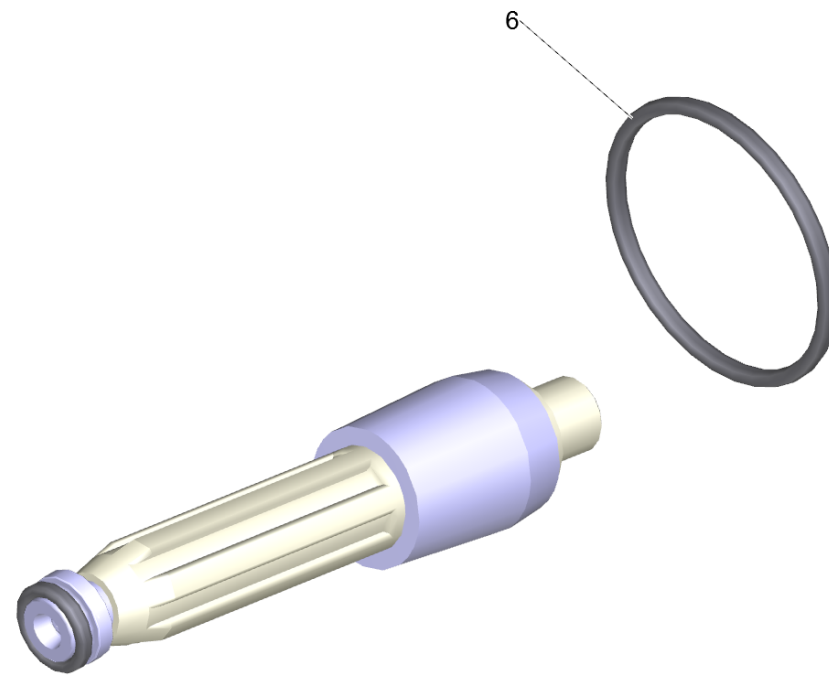
Spare part set dirt blaster 120 (2.884-051.0)

POS	Article no.	Description	Quantity	Unit
6	6.362-463.0	O-Ring seal 28,0 X 2,0-NBR 78	1.000	ST



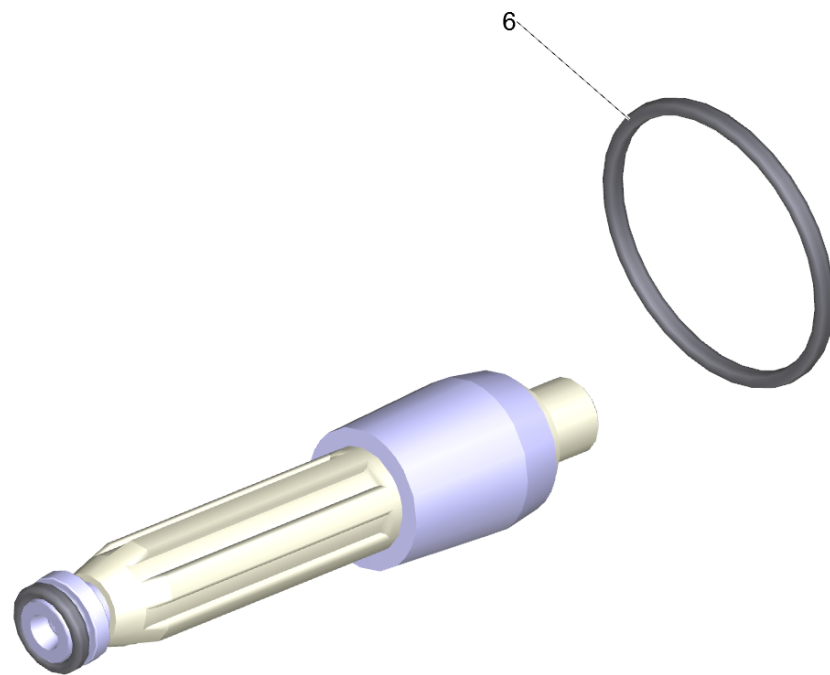
Spare part set dirt blaster 035 (2.884-052.0)

POS	Article no.	Description	Quantity	Unit
6	6.362-463.0	O-Ring seal 28,0 X 2,0-NBR 78	1.000	ST



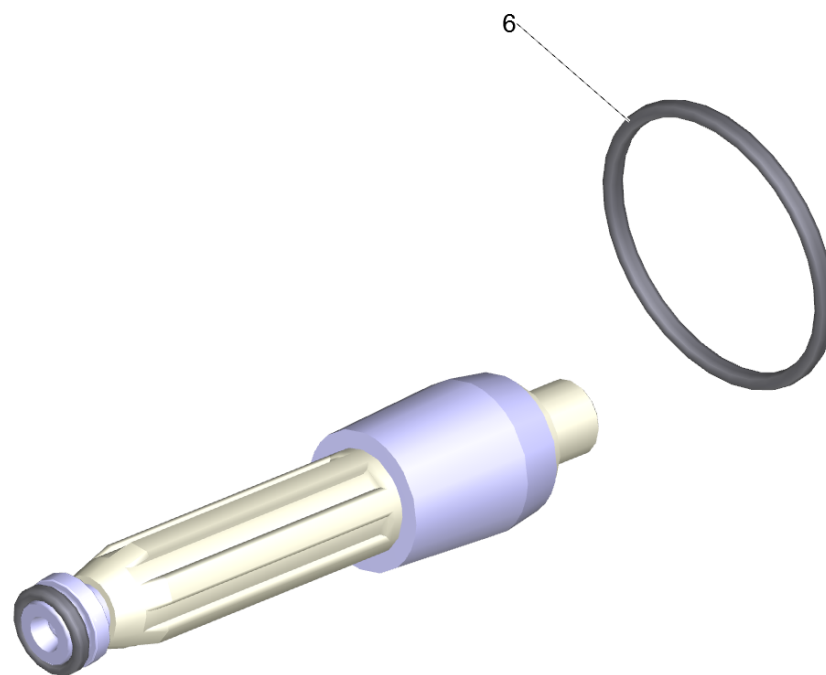
Spare part set dirt blaster 045 (2.884-113.0)

POS	Article no.	Description	Quantity	Unit
6	6.362-463.0	O-Ring seal 28,0 X 2,0-NBR 78	1.000	ST



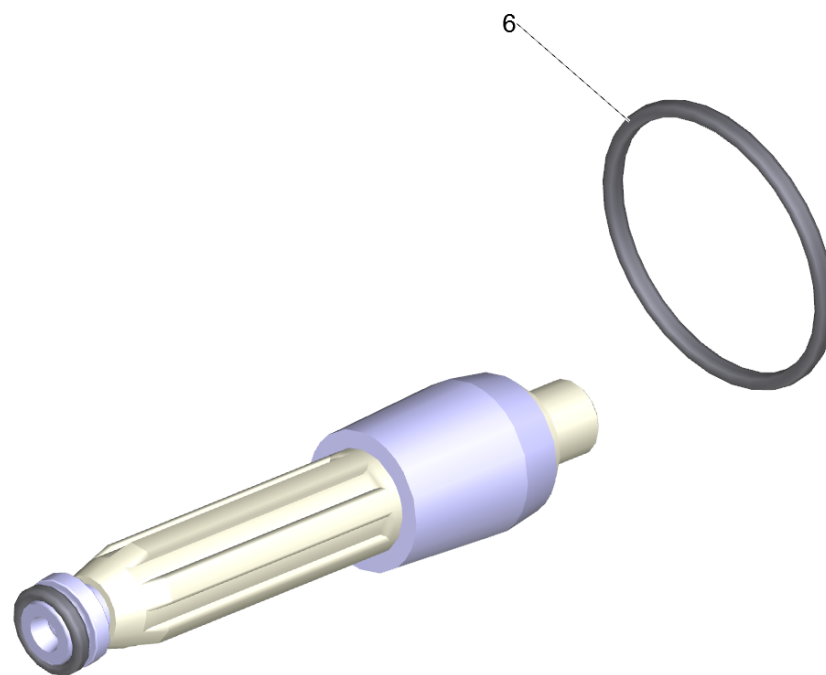
Spare part set dirt blaster 09 (2.884-316.0)

POS	Article no.	Description	Quantity	Unit
6	6.362-463.0	O-Ring seal 28,0 X 2,0-NBR 78	1.000	ST



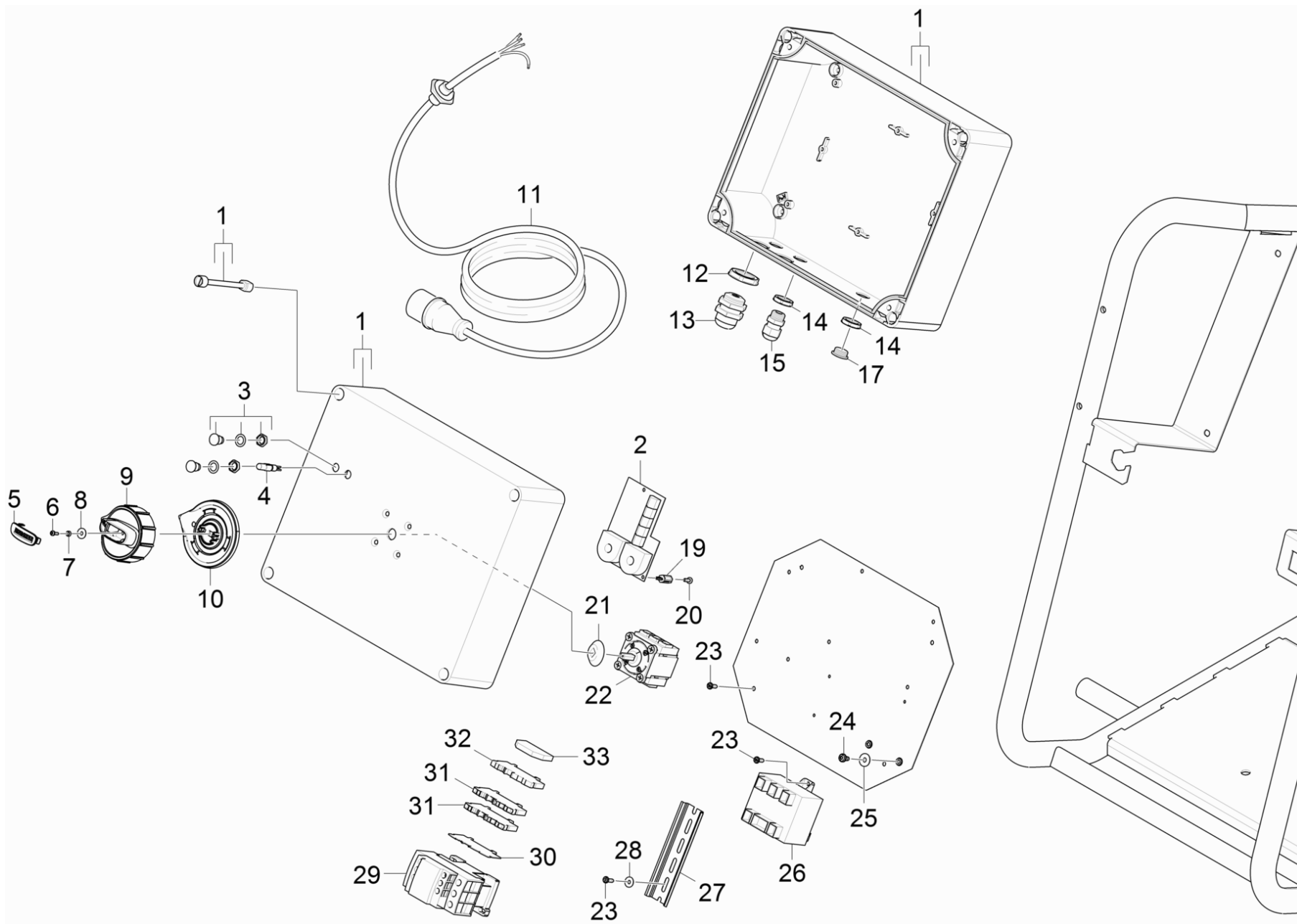
Spare parts set rotor 100 (2.885-196.0)

POS	Article no.	Description	Quantity	Unit
6	6.362-463.0	O-Ring seal 28,0 X 2,0-NBR 78	1.000	ST



2 Spare parts set rotor 100 (2.885-196.0)

POS	Article no.	Description	Quantity	Unit
6	6.362-463.0	O-Ring seal 28,0 X 2,0-NBR 78	1.000	ST



50 Electric box

POS	Article no.	Description	Quantity	Unit
17	6.648-423.0	Blind plug grey M16X1,5	2.000	ST
15	6.648-399.0	Cable gland black M16x1,5	2.000	ST
13	6.648-401.0	Cable gland black M25X1,5	2.000	ST
11	6.649-789.0	Cable with plug	1.000	ST
29	6.632-356.0	Contacteur LC1-D18 B7	1.000	ST
26	6.622-241.0	Control transformer 400V	1.000	ST
5	6.632-419.0	Cover	1.000	ST
19	6.647-425.0	Distance holder	7.000	ST
1	6.601-555.0	Electric control box	1.000	ST
33	6.643-721.0	End clamp WAGO 249-116	1.000	ST
30	6.644-370.0	End plate clamp triple-pole	1.000	ST
3	6.651-642.0	Housing	2.000	ST
14	6.648-415.0	Locknut black M16	4.000	ST
12	6.648-206.0	Locknut black M25	2.000	ST
22	6.632-450.0	Main switch 15kW	1.000	ST
32	6.644-369.0	Modular terminal triple-pole green/yello	1.000	ST
31	6.644-368.0	Modular terminal triple-pole grey	2.000	ST
27	7.233-313.0	Mounting rail TH 35-7,5 -ST-ZE EN 60715	1.000	M
2	6.682-965.3	Phase failure protection motor Protectio	1.000	ST
4	6.651-687.0	Pilot lamp hose insulated	1.000	ST
10	6.632-418.0	Plate	1.000	ST
24	7.303-328.0	Screw M5x8 -St-flZn/nc480h/C (In6Rd)	2.000	ST
6	7.303-061.0	Screw ST2,9x9,5 -St-R2R (In6Rd)	1.000	ST
21	6.630-091.0	Seal for step switch	1.000	ST
20	7.303-326.0	Sheet metal screw ST3,5x9,5 -St-flZn/nc4	7.000	ST
23	7.303-071.0	Sheet metal screw ST4,2X9,5 -St-A2K (In	7.000	ST
7	5.110-687.0	Sleeve	1.000	ST
9	6.632-458.0	Turning knob side brush high-pressure	1.000	ST
28	7.312-293.0	Washer 4-A2 ISO 7093-1	1.000	ST
8	7.312-293.0	Washer 4-A2 ISO 7093-1	1.000	ST
25	7.312-278.0	Washer 5-200HV-A2E ISO7093-1	2.000	ST