

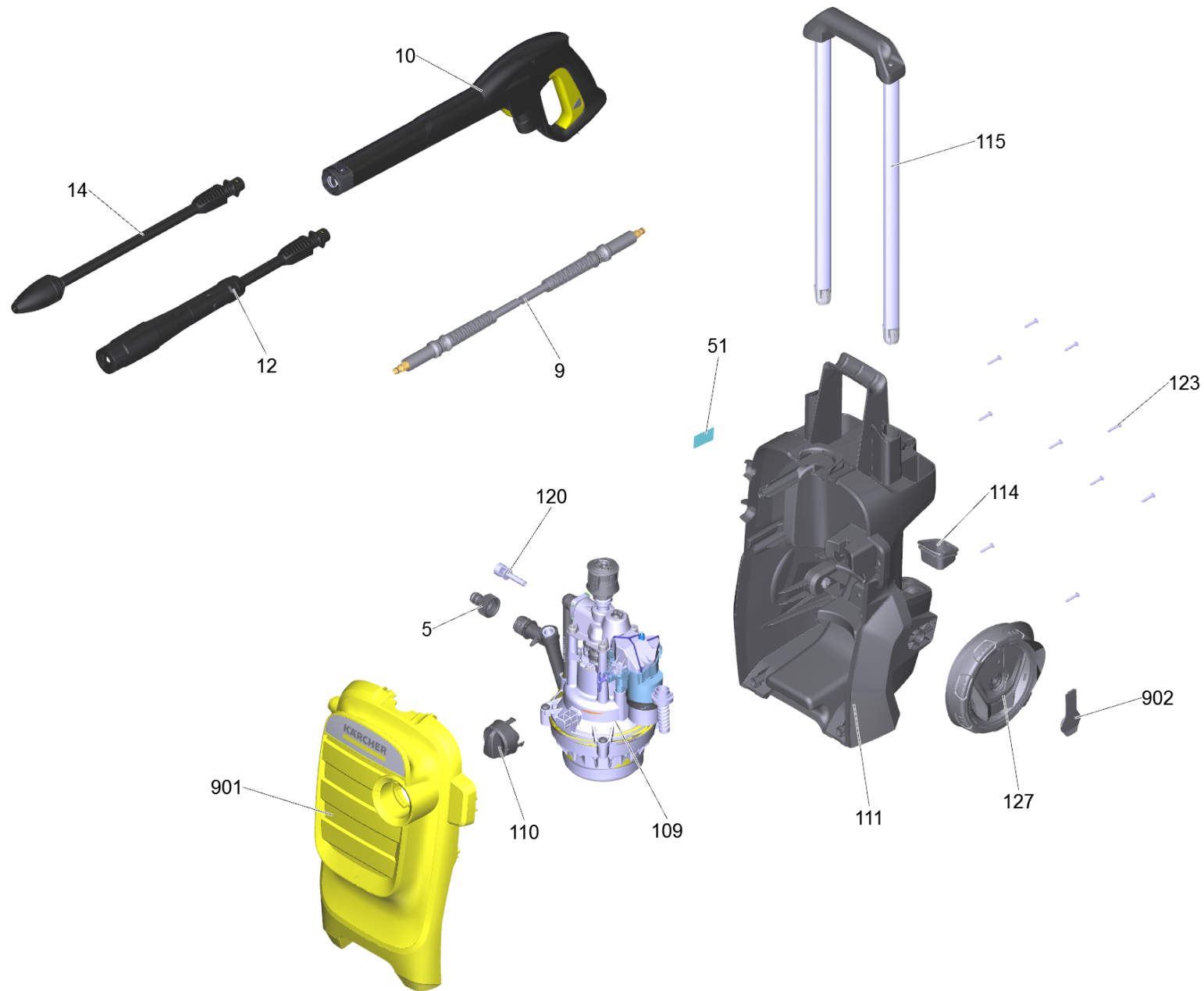
## **Spare parts list**

(1.637-500.0) K 4 Compact \*EU

## Table of contents

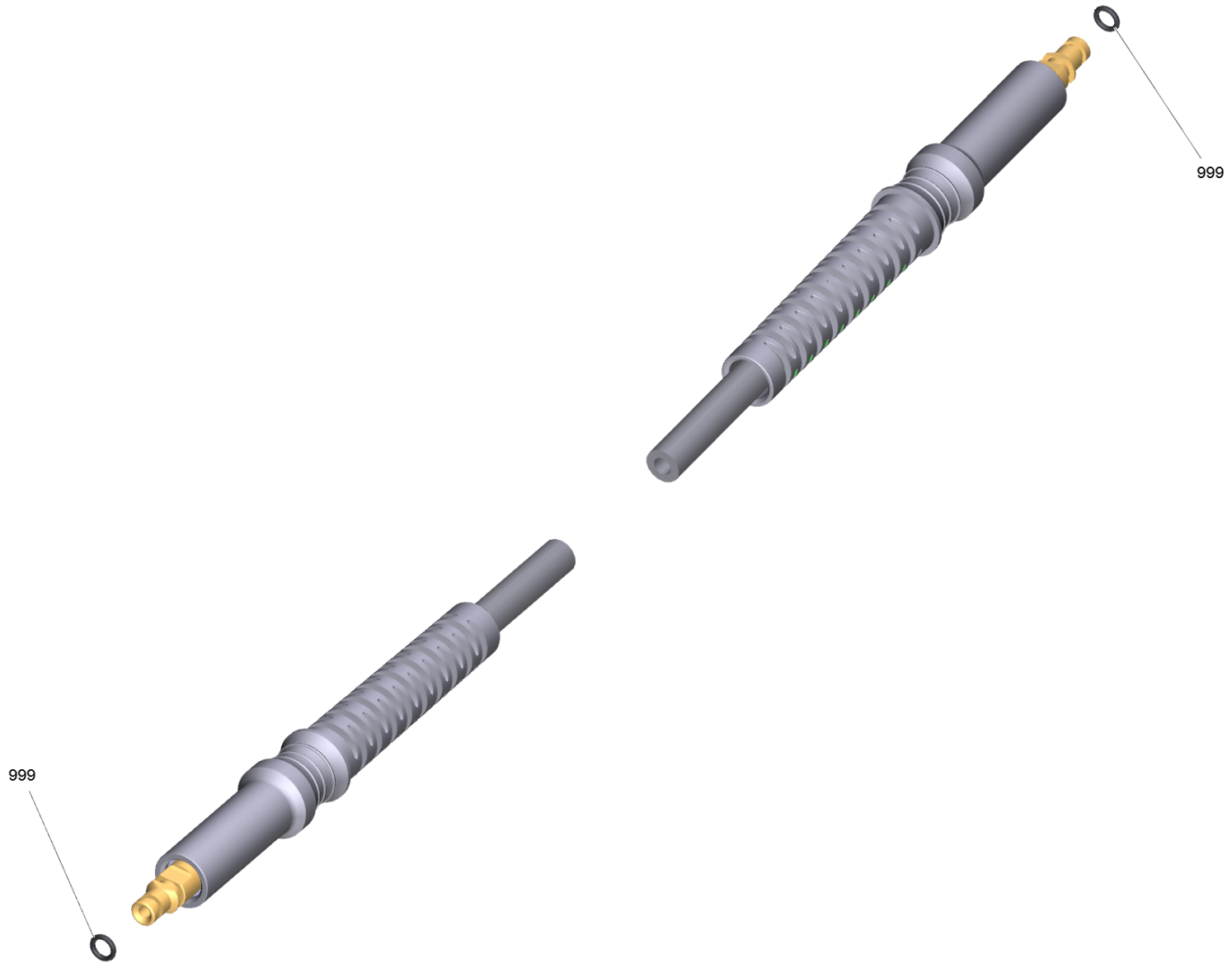
---

K 4 Compact *EU (1.637-500.0)	3
9 H 9 Q high pressure hose Quick Connect (2.641-721.0)	5
10 G 180 Q Trigger gun Quick Connect (2.642-889.0)	7
12 VP 145 Vario Power Jet (packaged) (2.642-725.0)	9
14 DB 145 rotor nozzle packaged (2.642-728.0)	11
109 Pump set complete K4 NCR*EU	13
80 Piston guidance complete	15
100 High-pressure outlet K4 NCR (9.013-623.3)	17
130 Pump k3 Mod plastic (HR)	19
1 Head end WCM c/guarnizioni Tuico (9.002-552.0)	21
2 pressure piston HR (spare) (9.002-028.0)	23
140 Set suction socket for replacement (4.100-705.0)	25
160 Electric box replacement Comp. Hr (9.002-497.0)	27
901 Motor complete for replacement K4 NCR (4.100-700.0)	29
5 Motor complete K4 NCR H70 WCM3.5	31
115 Handle complete assembly NCR	33
120 Hose Detergent Compact NCR	35
127 Wheel in pairs FC 1K D160 (9.002-438.0)	37



## K 4 Compact \*EU (1.637-500.0)

POS	Article no.	Description	Quantity	Unit
5	6.465-031.0	Connection 3/4	1	PC
9	2.641-721.0	H 9 Q high pressure hose Quick Connect	1	PC
10	2.642-889.0	G 180 Q Trigger gun Quick Connect	1	PC
12	2.642-725.0	VP 145 Vario Power Jet (packaged)	1	PC
14	2.642-728.0	DB 145 rotor nozzle packaged	1	PC
51	5.387-620.0	Warning sticker-Prevent from freezing	1	PC
109		Pump set complete K4 NCR*EU	1	PC
110	9.038-638.0	Turning knob switch K4&K5 NCR	1	PC
111	9.038-622.3	Housing rear for replacement NCR	1	PC
114	9.048-179.0	Rubber fixing accessories NCR	2	PC
115		Handle complete assembly NCR	1	PC
120		Hose Detergent Compact NCR	1	PC
123	9.086-221.0	Screw ATF 4.1x22	10	PC
127	9.002-438.0	Wheel in pairs FC 1K D160	1	PC
901	4.100-701.0	Set housing front K4 NCR	1	PC
902	9.038-445.0	Black cover FC 1K wheel D160	2	PC



9 H 9 Q high pressure hose Quick Connect (2.641-721.0)

---

<b>POS</b>	<b>Article no.</b>	<b>Description</b>	<b>Quantity</b>	<b>Unit</b>
999	2.640-729.0	O-Ring seal set	1	PC



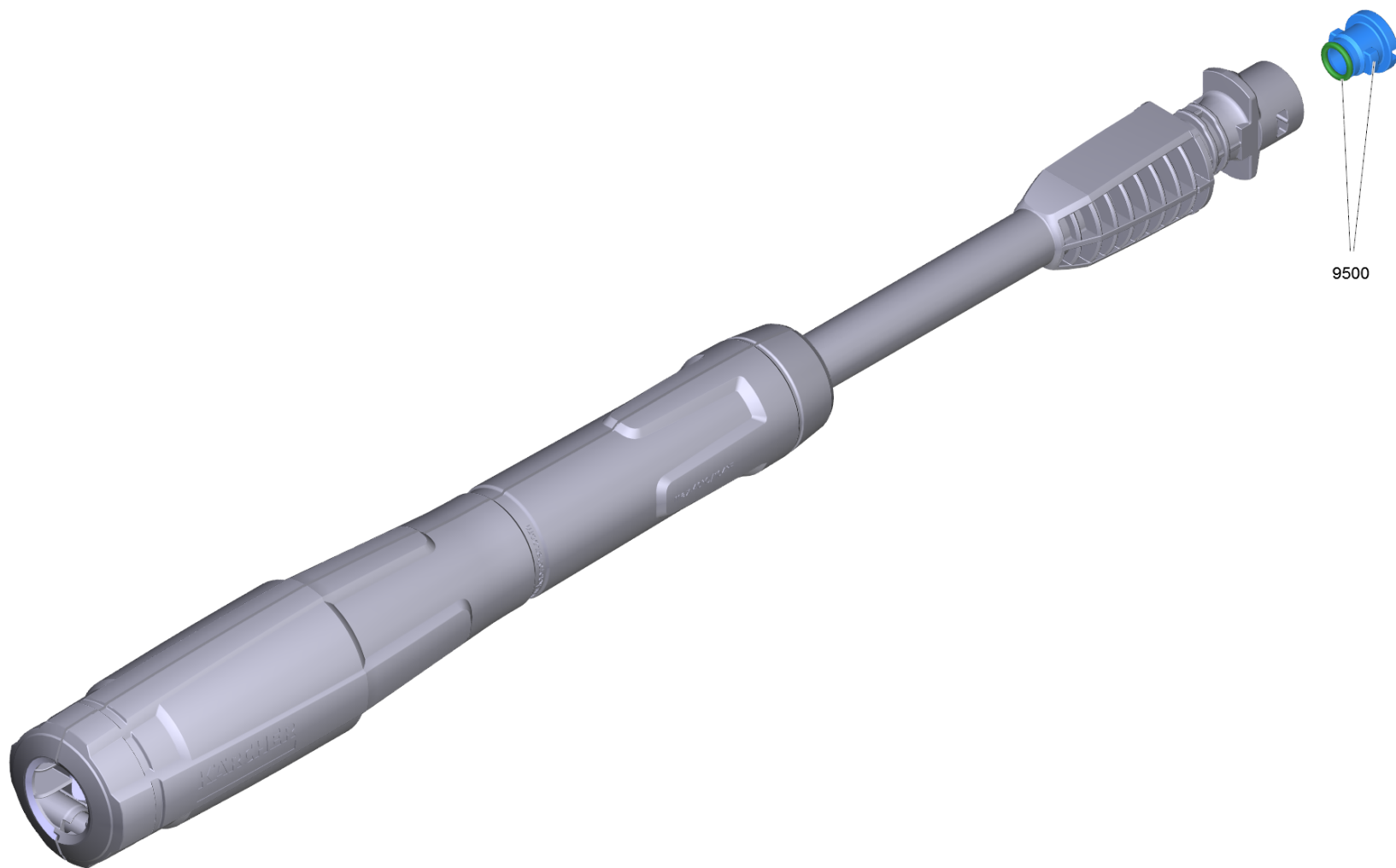
10 G 180 Q Trigger gun Quick Connect (2.642-889.0)

---

<b>POS</b>	<b>Article no.</b>	<b>Description</b>	<b>Quantity</b>	<b>Unit</b>
1	5.332-464.0	Pressure spring	1	PC

---





9500

12 VP 145 Vario Power Jet (packaged) (2.642-725.0)

---

<b>POS</b>	<b>Article no.</b>	<b>Description</b>	<b>Quantity</b>	<b>Unit</b>
9500	2.640-729.0	O-Ring seal set	1	PC

---

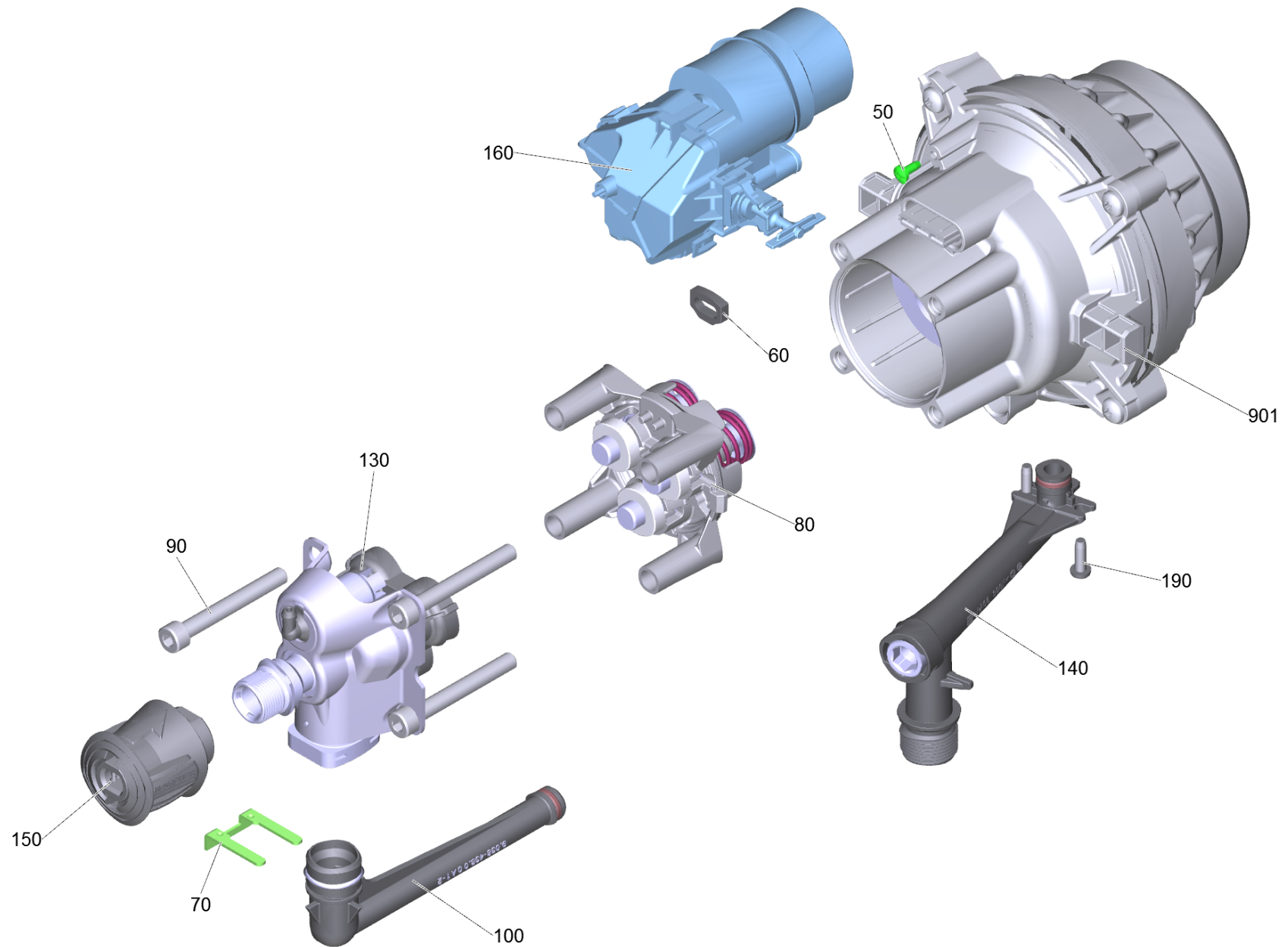


14 DB 145 rotor nozzle packaged (2.642-728.0)

---

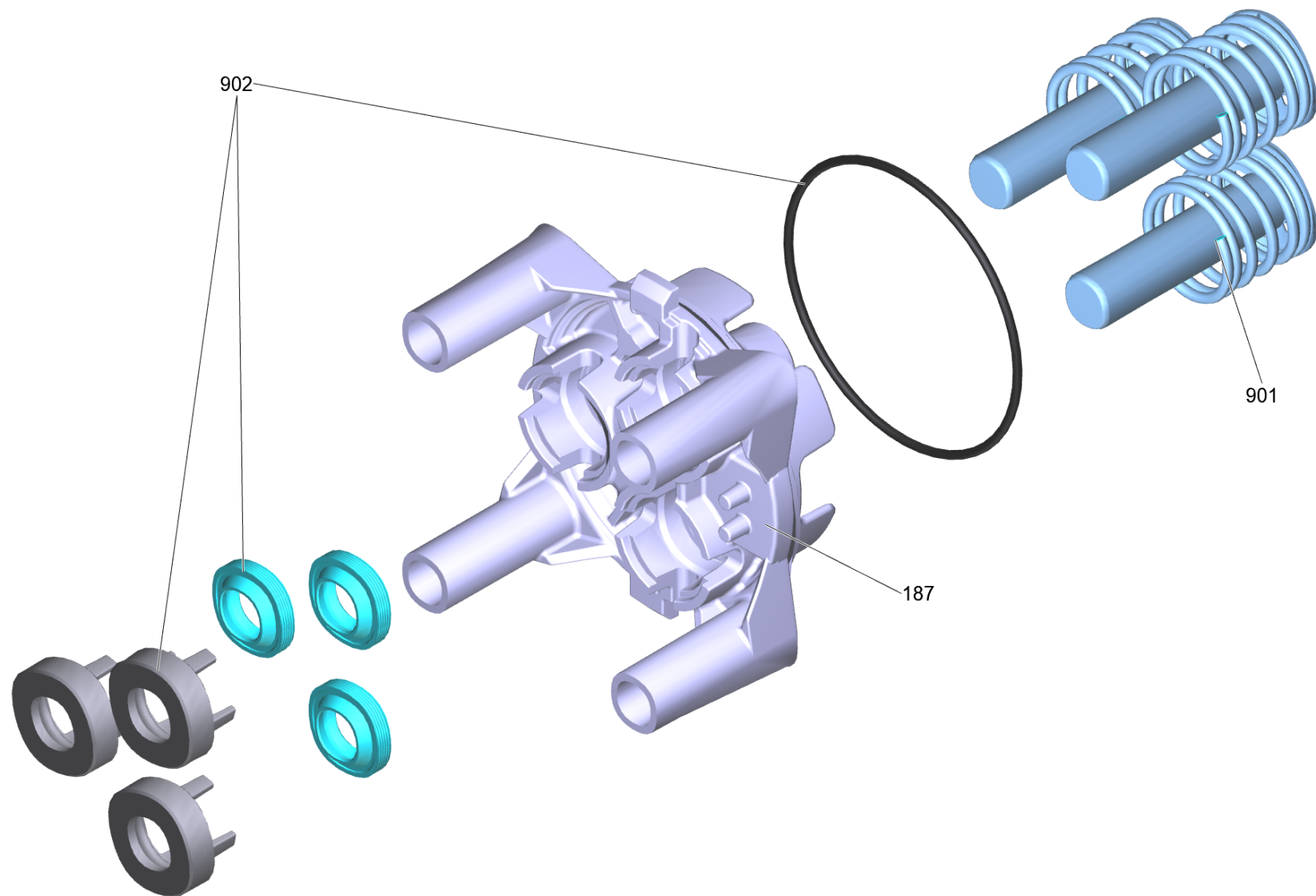
<b>POS</b>	<b>Article no.</b>	<b>Description</b>	<b>Quantity</b>	<b>Unit</b>
9500	2.640-729.0	O-Ring seal set	1	PC

---



109 Pump set complete K4 NCR\*EU

POS	Article no.	Description	Quantity	Unit
50	9.086-218.0	Screw M4X10 TORX T20 TAP-TITE THREAD	1	PC
60	9.048-071.0	Spacer - Seal	1	PC
70	9.039-148.0	Metal fork	1	PC
80		Piston guidance complete	1	PC
90	7.306-151.0	Cylinder head screw M8x65 -8.8-A2E ISO4	4	PC
100	9.013-623.3	High-pressure outlet K4 NCR	1	PC
130		Pump k3 Mod plastic (HR)	1	PC
140	4.100-705.0	Set suction socket for replacement	1	PC
150	4.470-041.0	High pressure quick-fitting pipe union A	1	PC
160	9.002-497.0	Electric box replacement Comp. Hr	1	PC
190	7.303-039.0	Screw M5x16 -St-P2R (In6Rd)	2	PC
901	4.100-700.0	Motor complete for replacement K4 NCR	1	PC

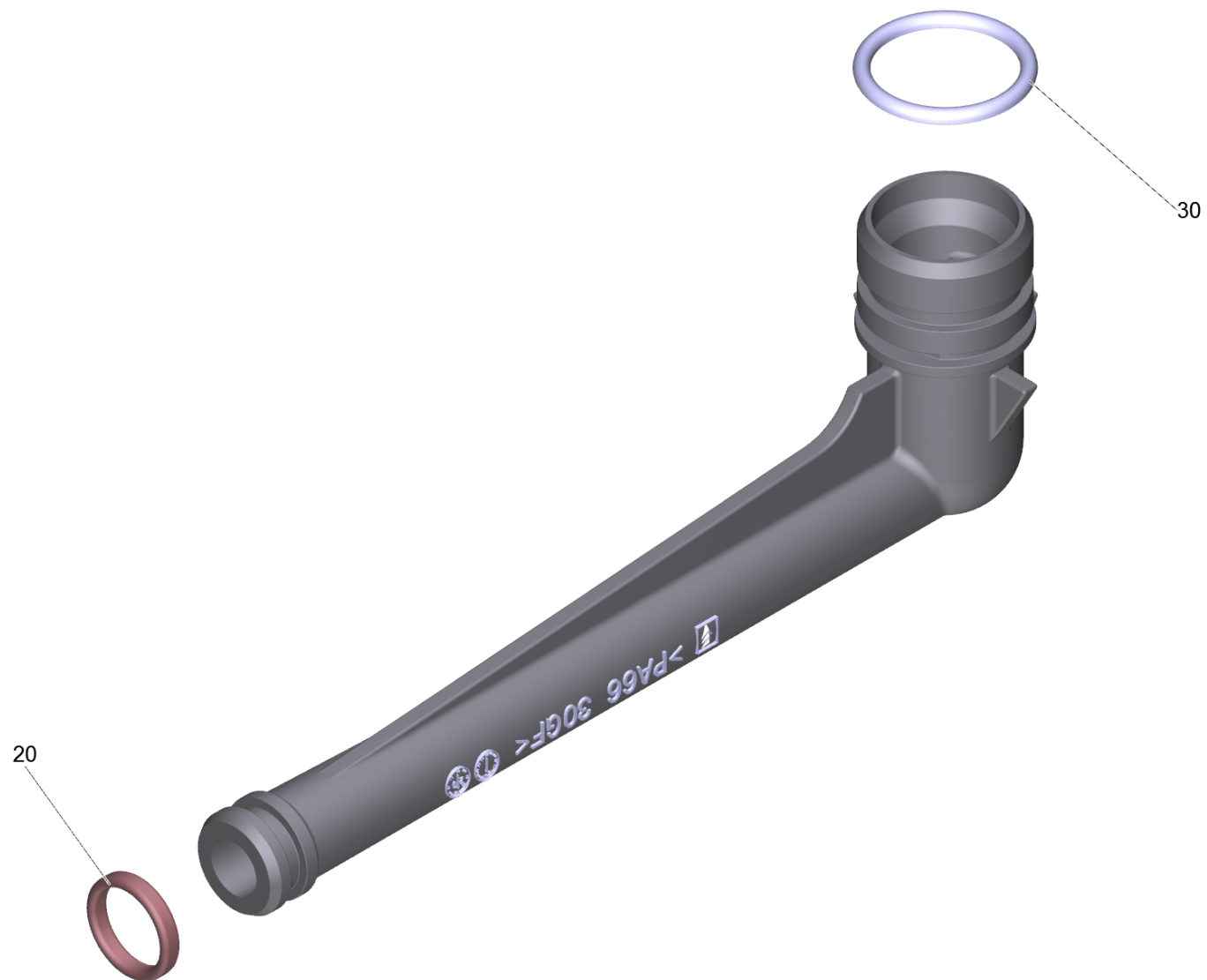


## 80 Piston guidance complete

---

<b>POS</b>	<b>Article no.</b>	<b>Description</b>	<b>Quantity</b>	<b>Unit</b>
187	9.042-149.0	Thrust guidance	1	PC
901	9.001-927.0	Piston complete	3	PC
902	4.100-832.0	Spare parts set seals	1	PC

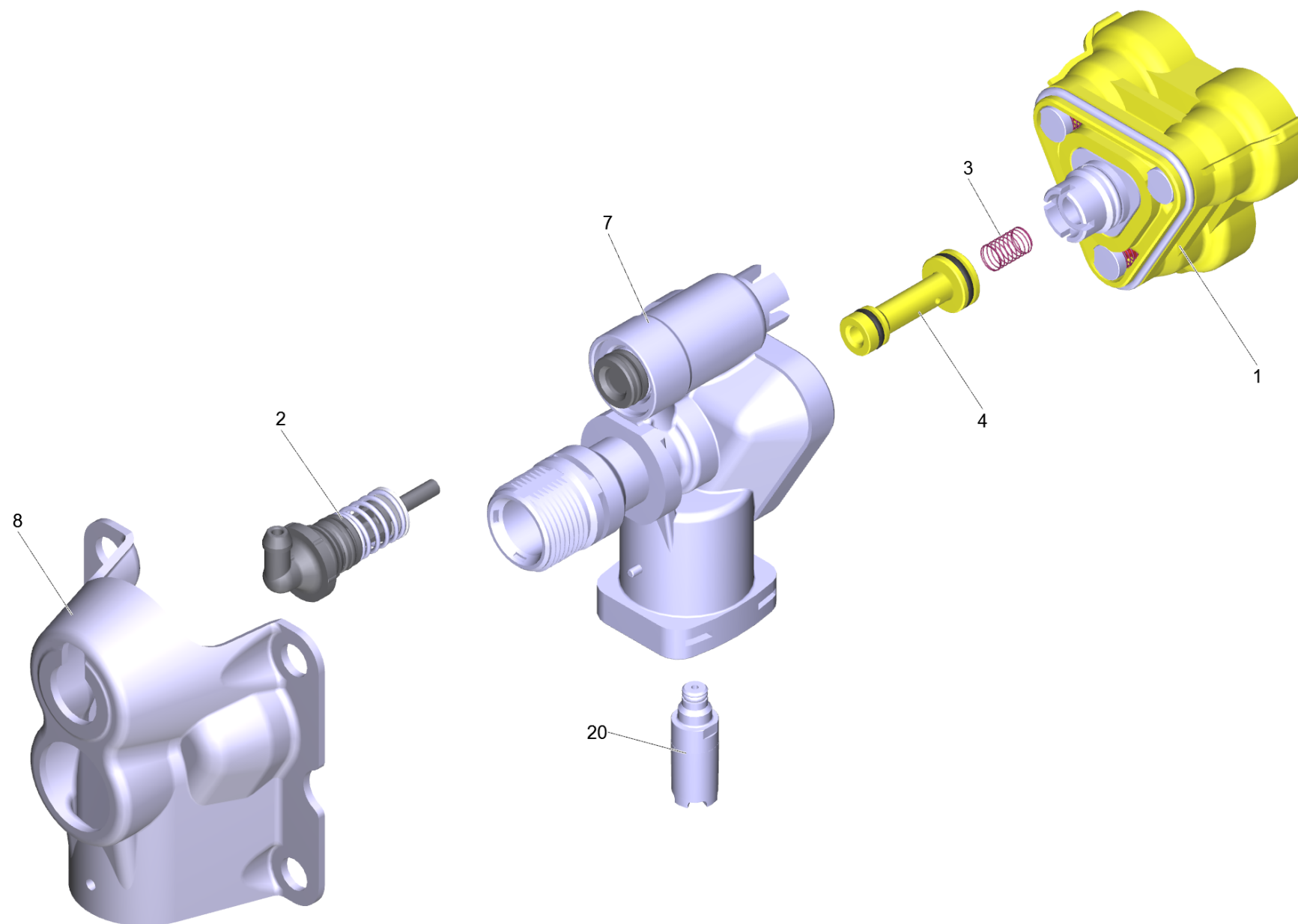




100 High-pressure outlet K4 NCR (9.013-623.3)

---

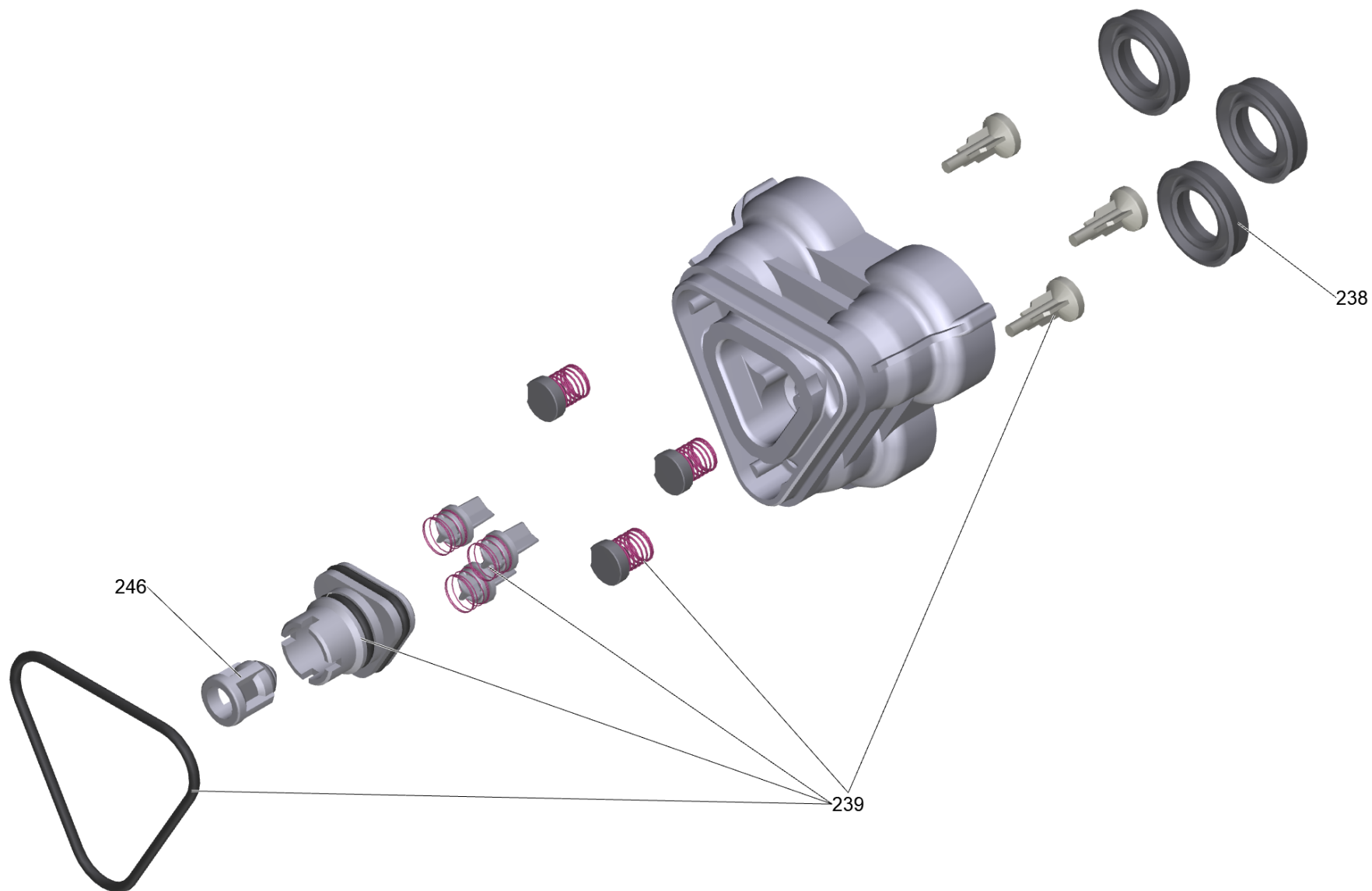
<b>POS</b>	<b>Article no.</b>	<b>Description</b>	<b>Quantity</b>	<b>Unit</b>
20	9.080-513.0	OR 12x2.1 EPDM 70 perox	1	PC
30	9.080-001.0	O-Ring 16x2,7 EPDM 50 Shore	1	PC



## 130 Pump k3 Mod plastic (HR)

---

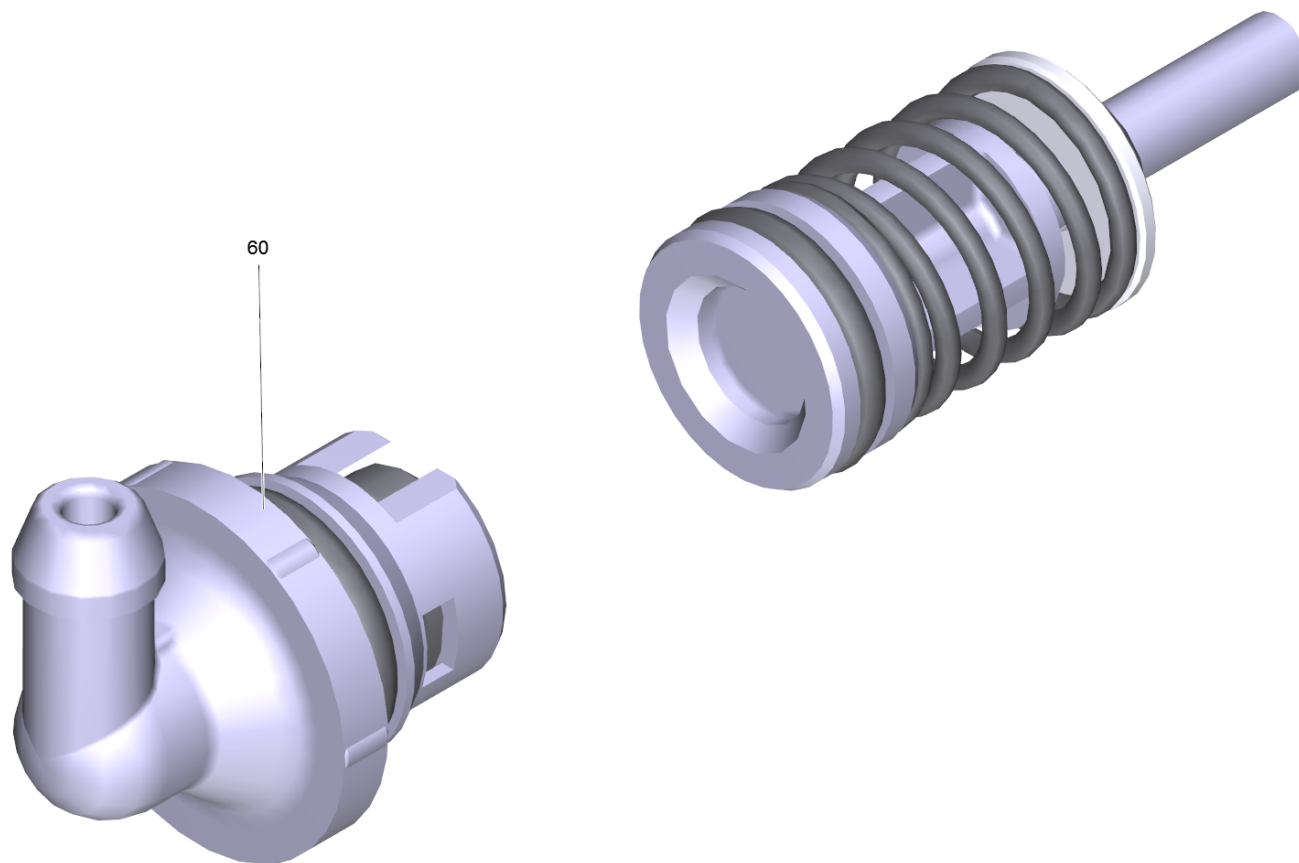
<b>POS</b>	<b>Article no.</b>	<b>Description</b>	<b>Quantity</b>	<b>Unit</b>
1	9.002-552.0	Head end WCM c/guarnizioni Tuico	1	PC
2	9.002-028.0	pressure piston HR (spare)	1	PC
3	9.047-026.0	Spring	1	PC
4	9.002-017.0	Venturi nozzle D.1,45	1	PC
7	9.002-029.0	manifold HR + pressure piston	1	PC
8	9.039-308.0	Cover K130	1	PC
20	4.580-601.0	Valve complete d. 1,8	1	PC



1 Head end WCM c/guarnizioni Tuico (9.002-552.0)

---

<b>POS</b>	<b>Article no.</b>	<b>Description</b>	<b>Quantity</b>	<b>Unit</b>
238	4.100-832.0	Spare parts set seals	3	PC
239	4.100-830.0	Spare parts set valves	1	PC
246	9.001-107.0	Cage complete	1	PC

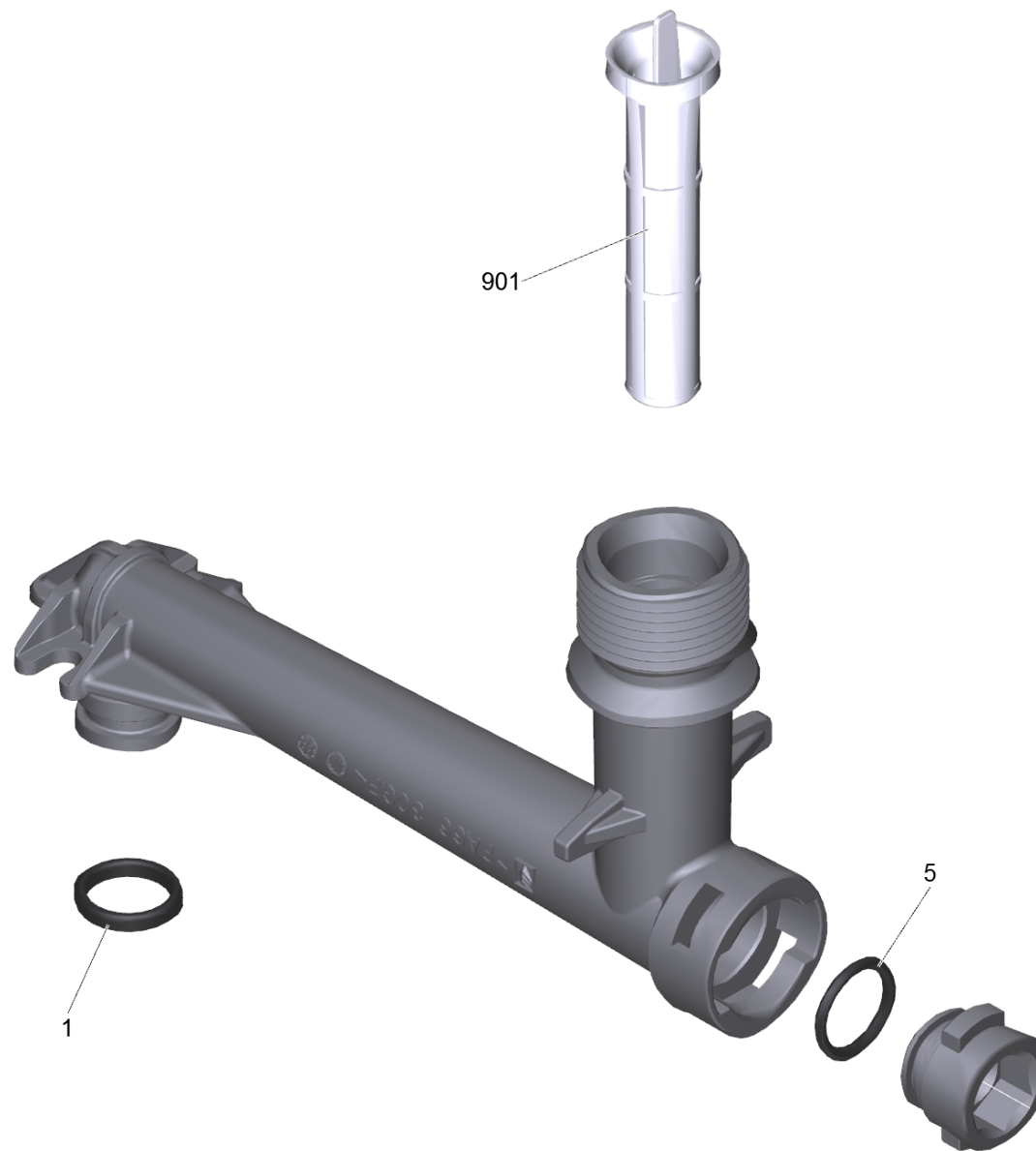


2 pressure piston HR (spare) (9.002-028.0)

---

POS	Article no.	Description	Quantity	Unit
60	9.002-027.0	Rad. 90° control housing HR (ric)	1	PC

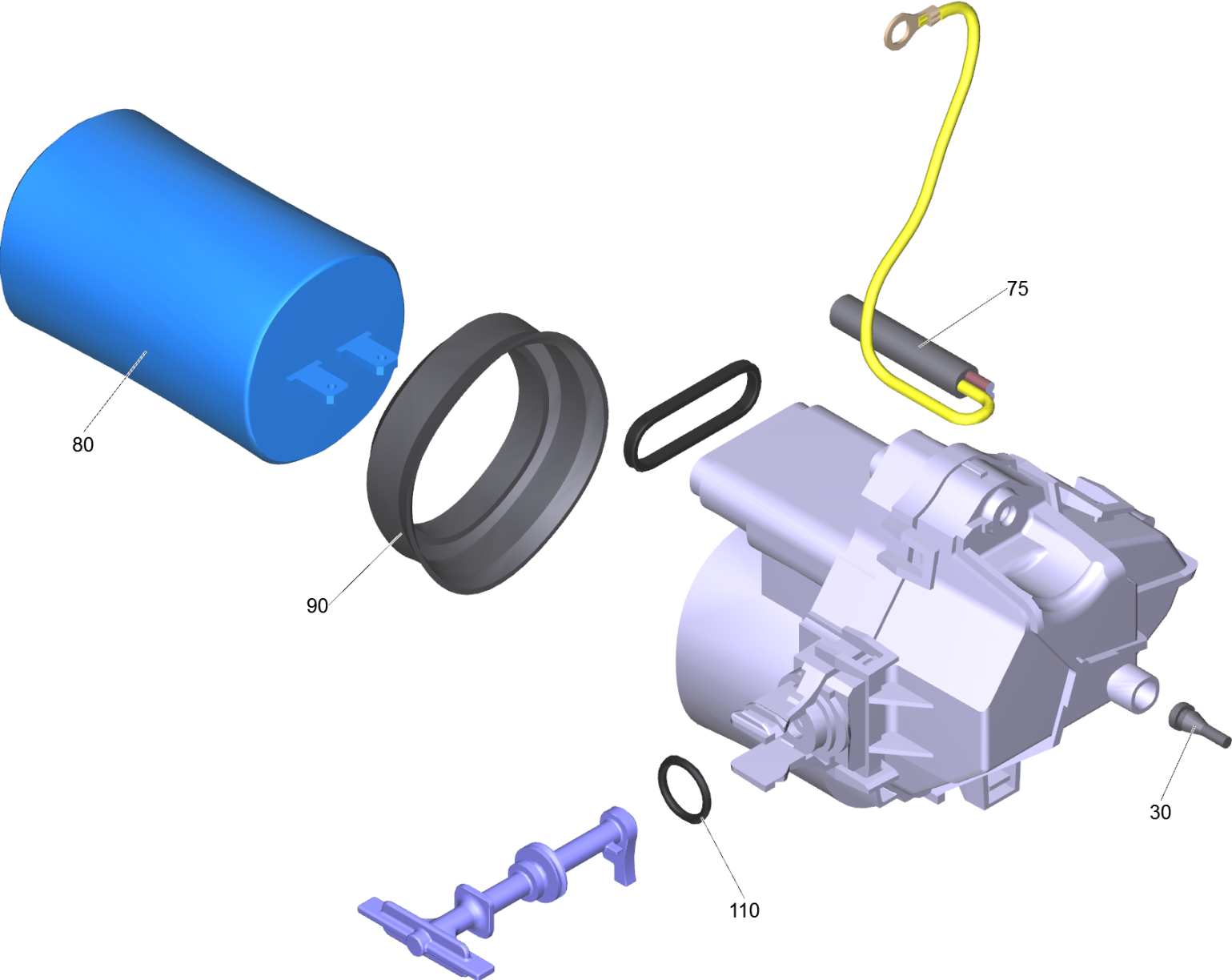




140 Set suction socket for replacement (4.100-705.0)

---

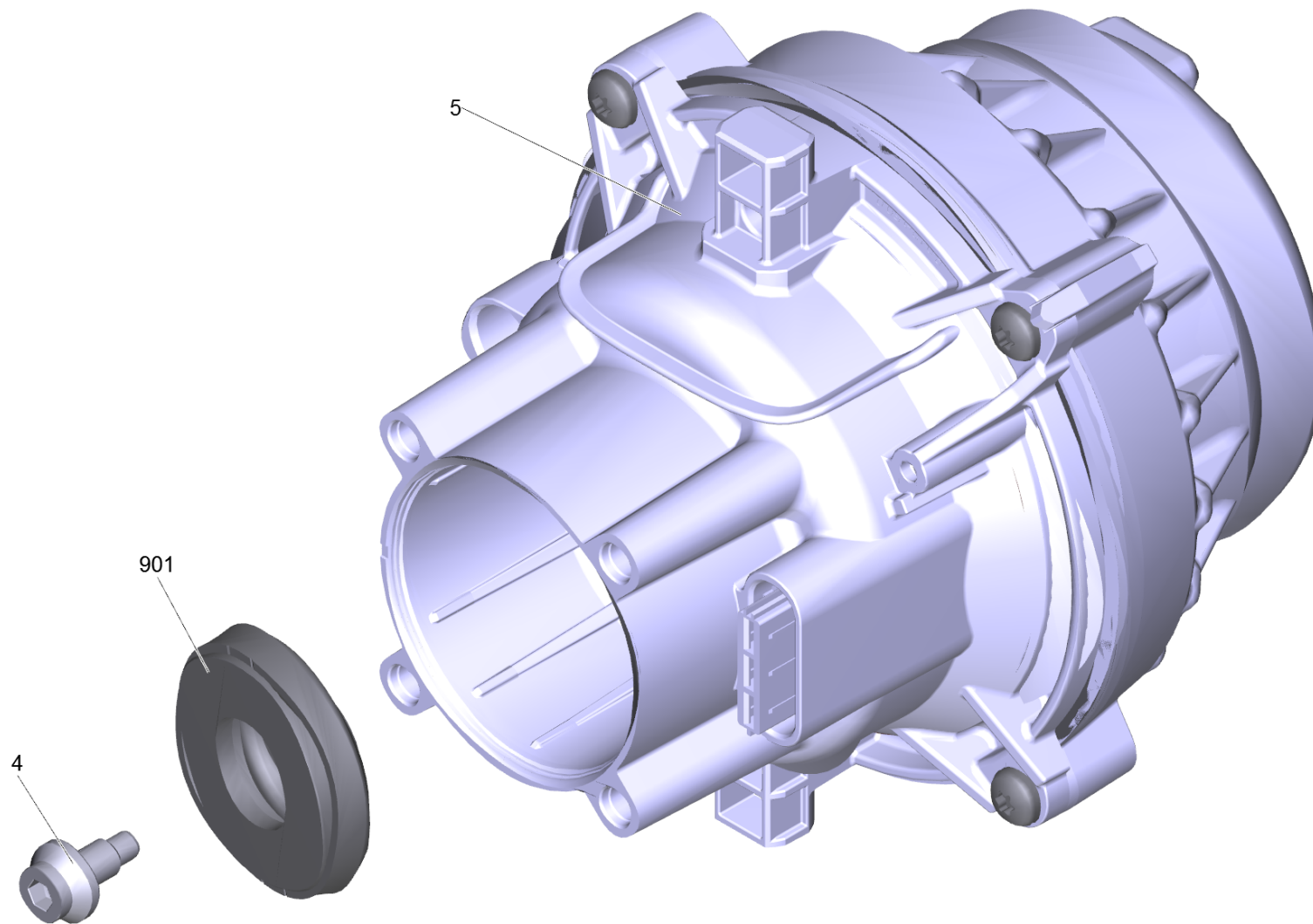
<b>POS</b>	<b>Article no.</b>	<b>Description</b>	<b>Quantity</b>	<b>Unit</b>
1	9.080-513.0	OR 12x2.1 EPDM 70 perox	1	PC
5	6.362-169.0	O-Ring seal 12,0 X 2,0	1	PC
901	5.731-598.0	Fine filter long	1	PC



160 Electric box replacement Comp. Hr (9.002-497.0)

---

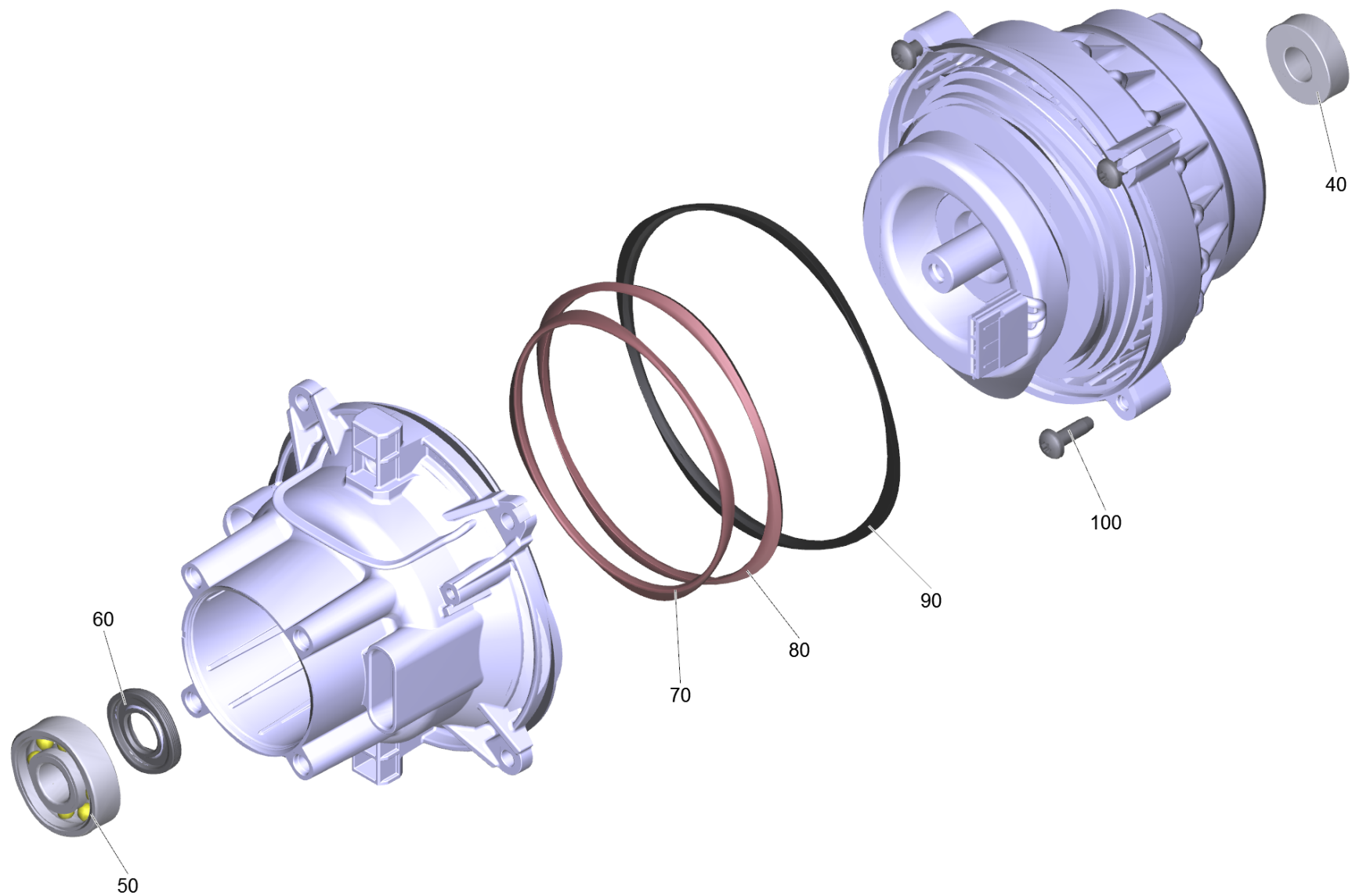
<b>POS</b>	<b>Article no.</b>	<b>Description</b>	<b>Quantity</b>	<b>Unit</b>
30	9.760-054.0	E-box sealing cap	1	PC
75	9.084-139.0	Cable with plug *EU	1	PC
80	9.085-095.0	Capacitor 32uF	1	PC
90	9.080-465.0	Joint ring capacitor d.45, 70 Shore	1	PC
110	9.080-494.0	OR 20x2 EPDM70ShA PTFE	1	PC



901 Motor complete for replacement K4 NCR (4.100-700.0)

---

<b>POS</b>	<b>Article no.</b>	<b>Description</b>	<b>Quantity</b>	<b>Unit</b>
4	9.086-233.0	Screw wobble plate	1	PC
5		Motor complete K4 NCR H70 WCM3.5	1	PC
901	9.001-705.0	Wobble plate 10°24'	1	PC

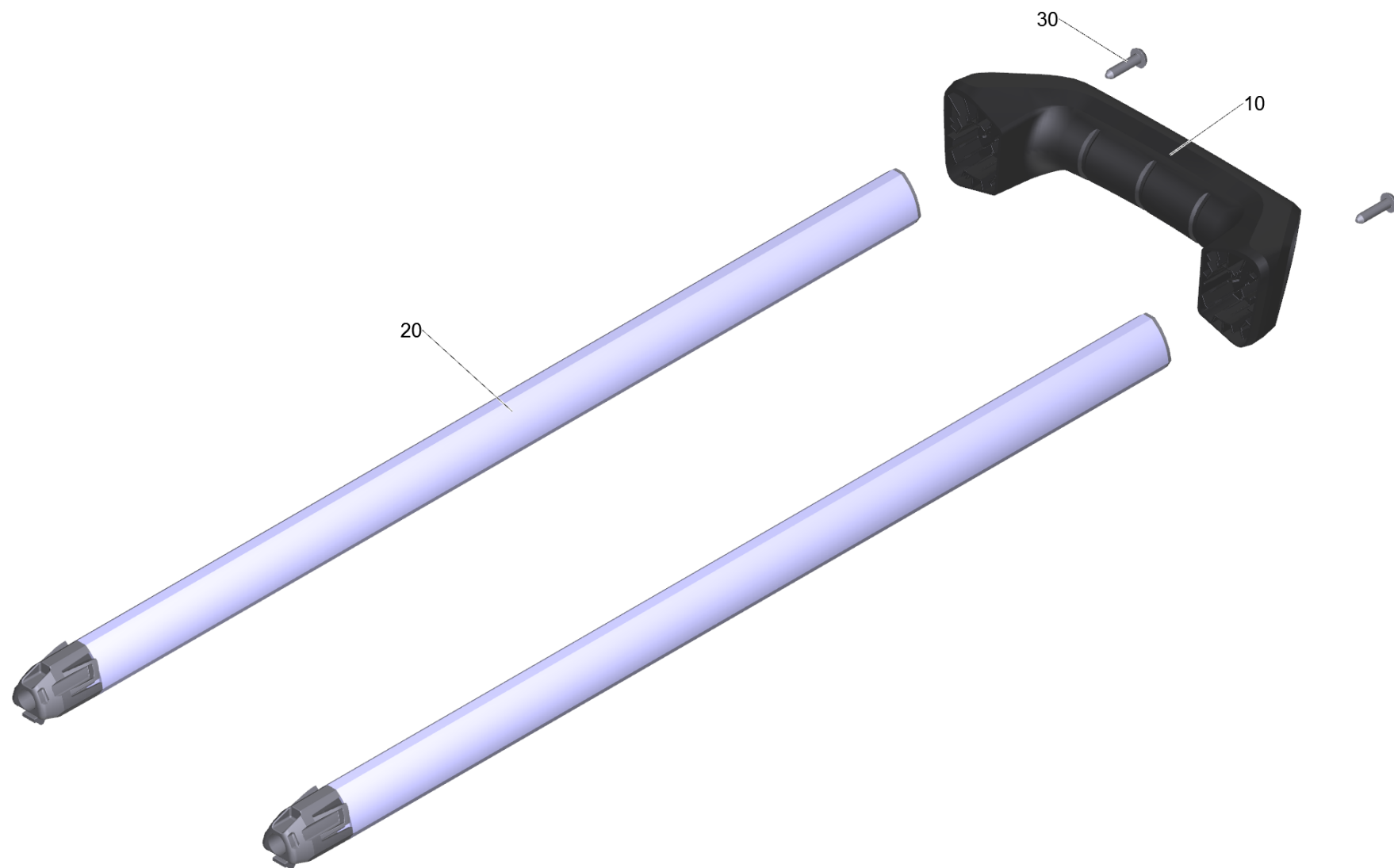


## 5 Motor complete K4 NCR H70 WCM3.5

---

<b>POS</b>	<b>Article no.</b>	<b>Description</b>	<b>Quantity</b>	<b>Unit</b>
40	7.401-128.0	Ball bearing 6202-2RS -Wälzl.St DIN 625	1	PC
50	7.401-010.0	Ball bearing 6303 -St DIN 625	1	PC
60	9.078-021.0	Grooved ring 17x35x5	1	PC
70	9.080-503.0	O-ring d.113,0x3.0 EPDM 70	1	PC
80	9.080-504.0	O-Ring seal 124x3 EPDM 70	1	PC
90	9.080-505.0	O-Ring seal 142.2x3 EPDM 70	1	PC
100	7.303-048.0	Screw M6x20 -St-R3R (In6Rd)	4	PC

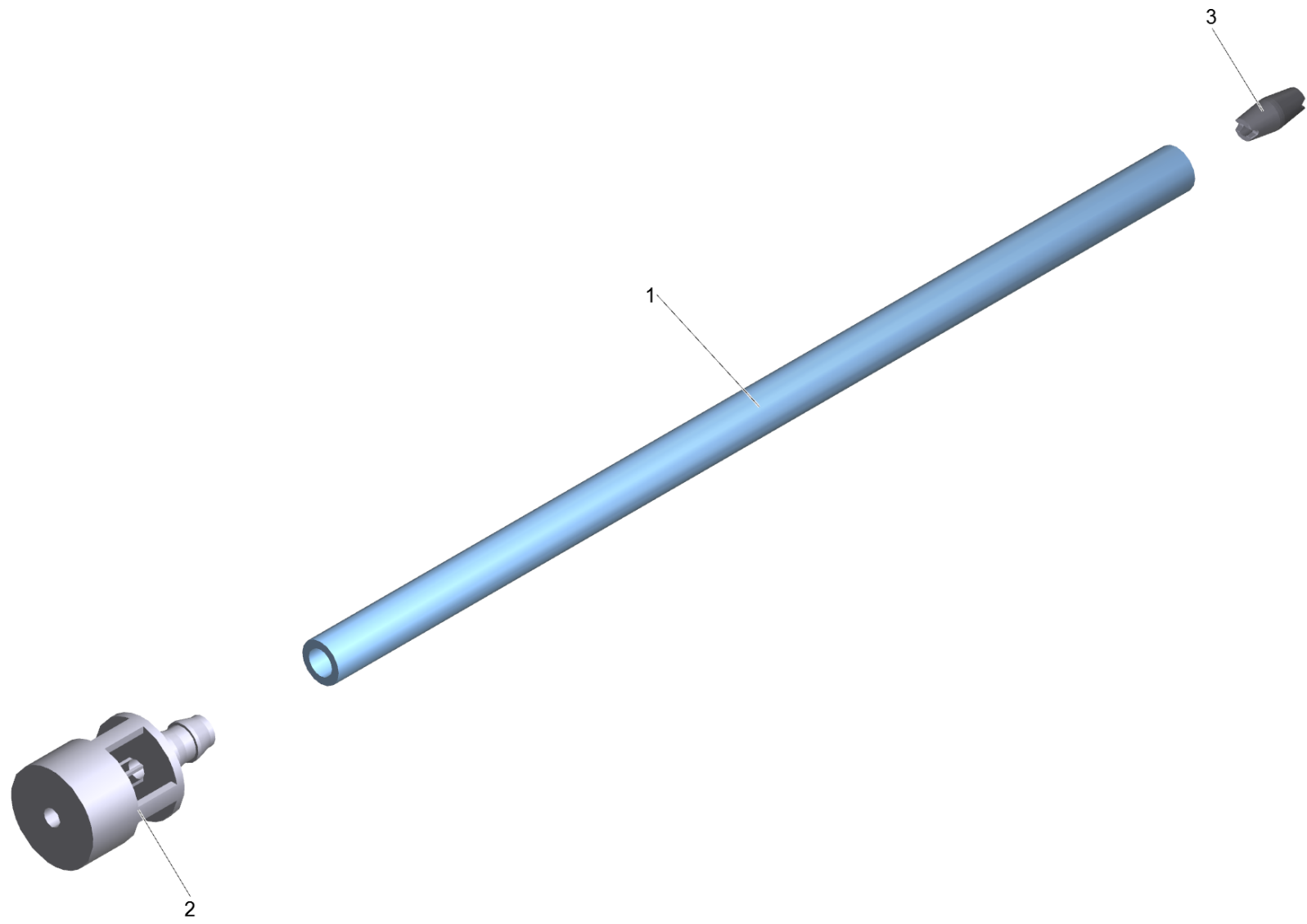




## 115 Handle complete assembly NCR

---

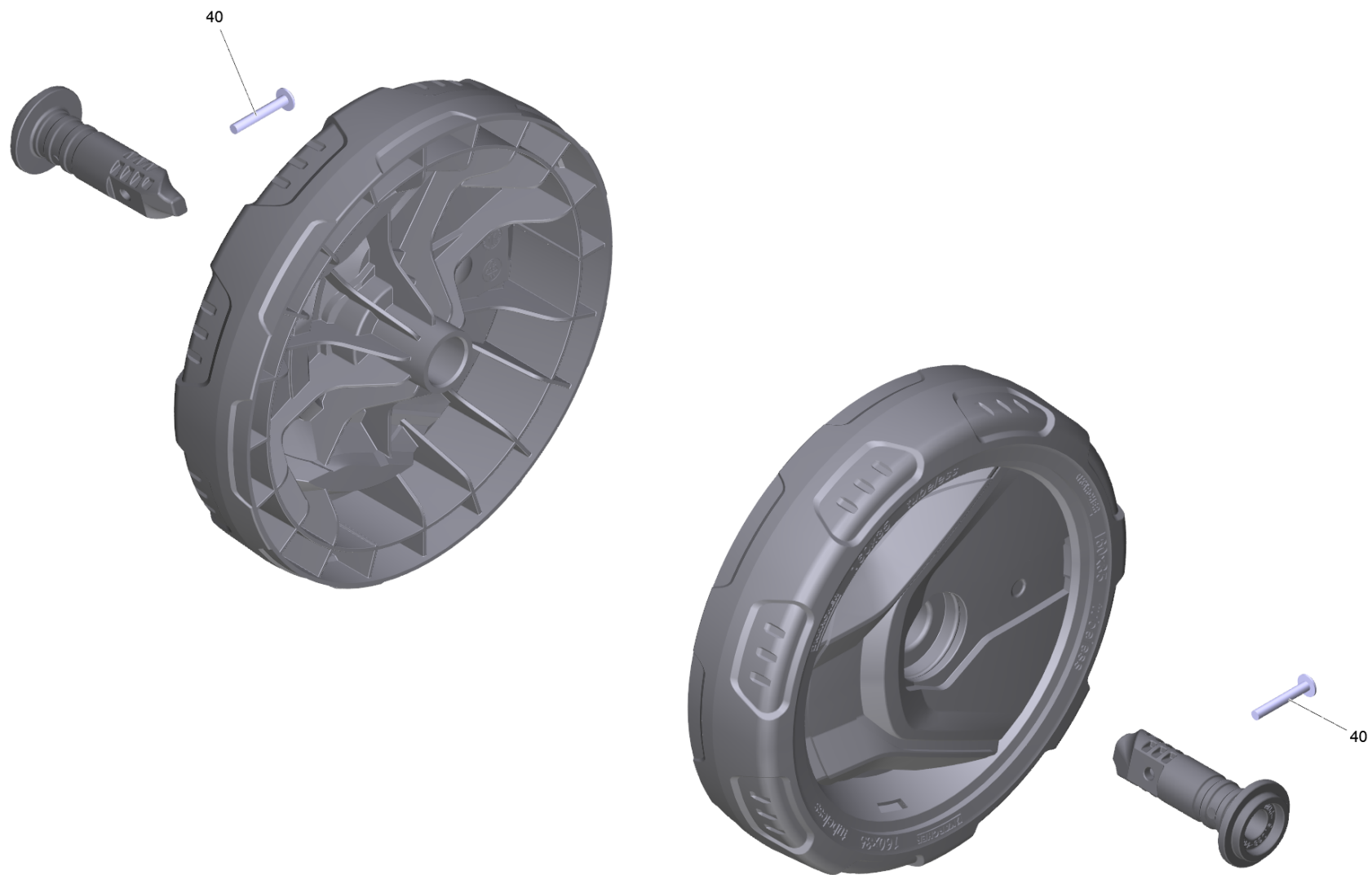
<b>POS</b>	<b>Article no.</b>	<b>Description</b>	<b>Quantity</b>	<b>Unit</b>
10	9.002-447.0	Spare part Handle FC packed	1	PC
20	9.013-571.3	Handle bar for replacement K4/5 NCR	2	PC
30	9.086-220.0	Screw ST.4x17 P2R	2	PC



## 120 Hose Detergent Compact NCR

---

<b>POS</b>	<b>Article no.</b>	<b>Description</b>	<b>Quantity</b>	<b>Unit</b>
1	6.388-216.0	Hose DN 5	0,75	m
2	5.731-652.0	Filter with weight	1	PC
3	9.038-548.0	Flow reducer detergent	1	PC



127 Wheel in pairs FC 1K D160 (9.002-438.0)

---

POS	Article no.	Description	Quantity	Unit
40	9.086-221.0	Screw ATF 4.1x22	1	PC