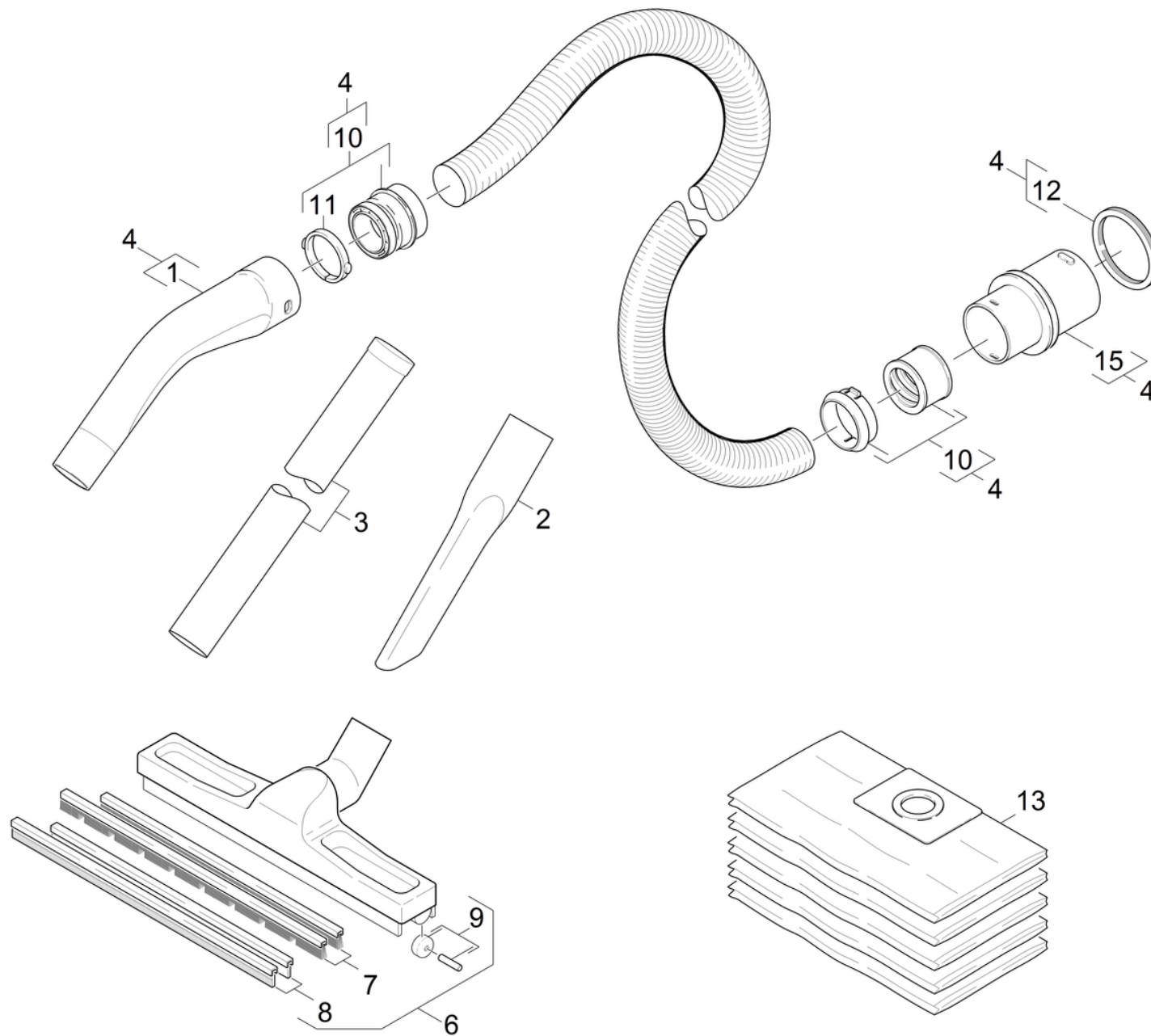


Spare parts list

Accessories

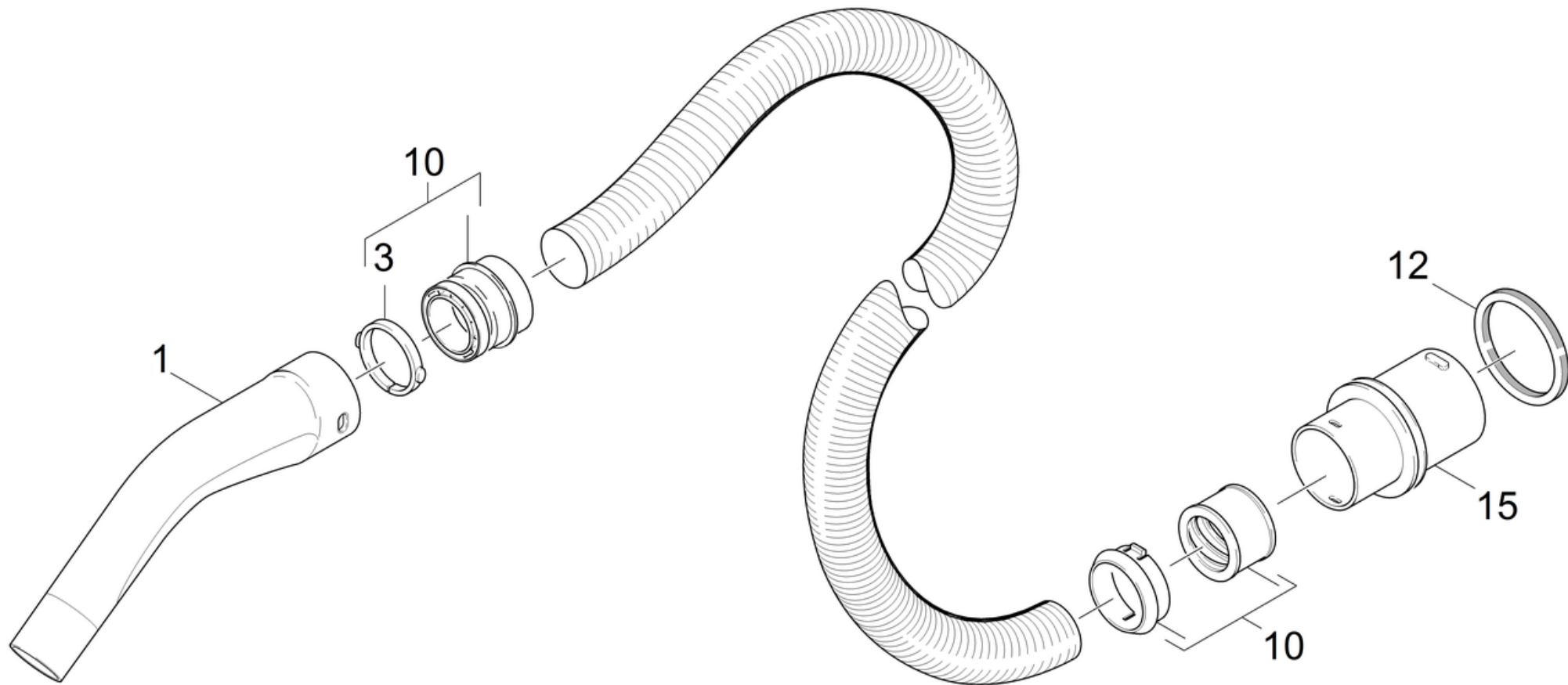
Table of contents

40 Accessories	3
4 Suction hose C DN35 (4.440-626.0)	5
10 Repair set (2.639-690.0)	7
3 Spare parts list add-on kit hose couplin (5.958-671.0)	8
10 Add-on kit hose coupling	9
10 Repair set (2.639-690.0)	11
3 Spare parts list add-on kit hose couplin (5.958-671.0)	12
10 Add-on kit hose coupling	13



40 Accessories

POS	Article no.	Description	Quantity	Unit
7	6.903-278.0	Brush strips set	1.000	ST
2	6.906-240.0	Crevice nozzle DN35	1.000	ST
1	5.031-718.0	Elbow	1.000	ST
13	6.904-290.0	Filter bags 5St.	1.000	ST
6	6.906-512.0	Floor tool DN35	1.000	ST
15	5.443-464.0	Hosebarb	1.000	ST
12	6.273-009.0	Joint ring EPDM	1.000	ST
10	2.639-690.0	Repair set	1.000	ST
9	4.515-342.0	Roller complete with axle	2.000	ST
8	6.903-277.0	Set suction lips	1.000	ST
4	4.440-626.0	Suction hose C DN35	1.000	ST
3	6.902-154.0	Suction tube stainless steel NW35 - 505m	2.000	ST
11	5.031-703.0	Tension ring C35	1.000	ST



4 Suction hose C DN35 (4.440-626.0)

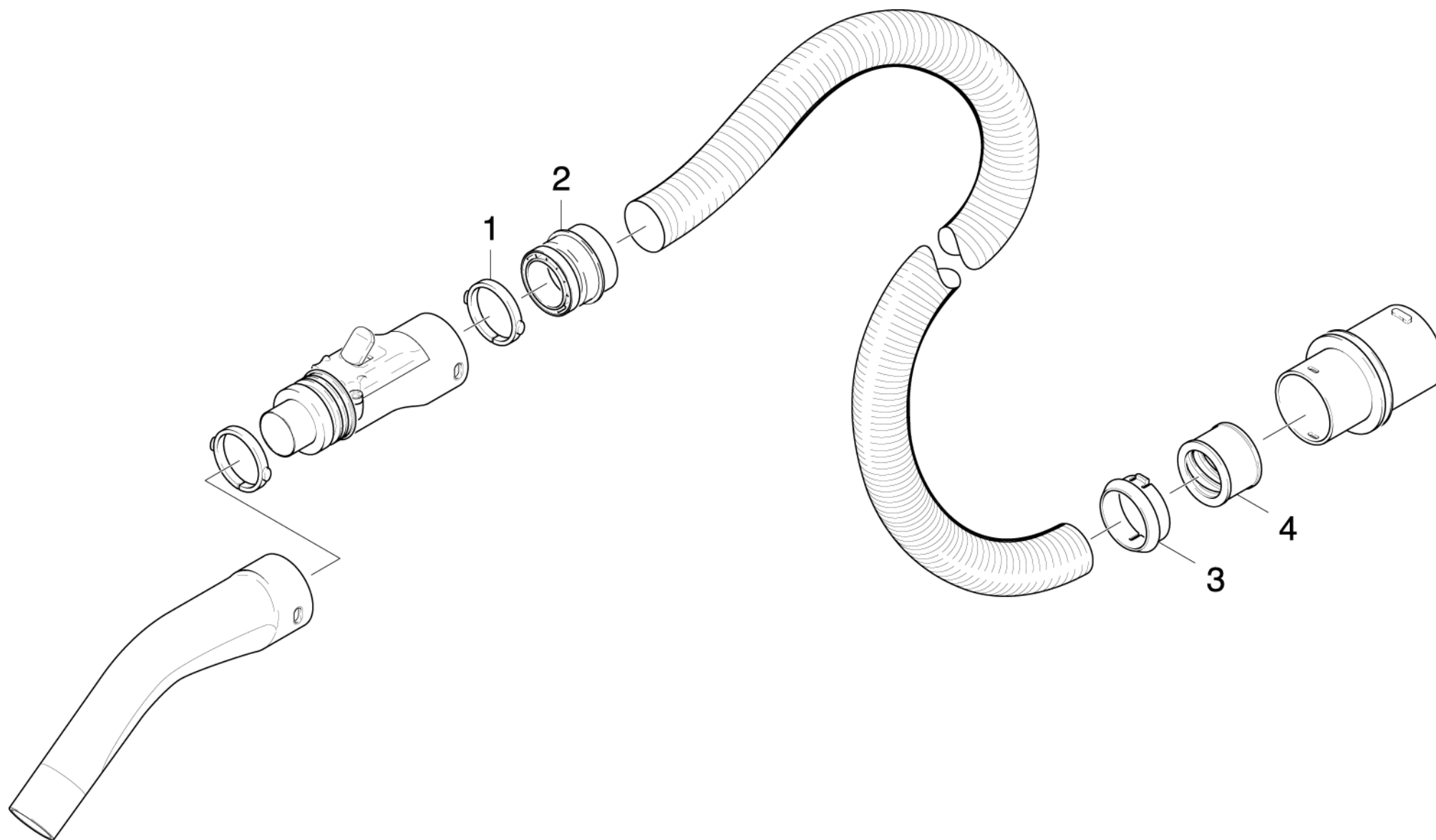
POS	Article no.	Description	Quantity	Unit
1	5.031-718.0	Elbow	1.000	ST
15	5.443-464.0	Hosebarb	1.000	ST
12	6.273-009.0	Joint ring EPDM	1.000	ST
10	2.639-690.0	Repair set	1.000	ST
3	5.031-703.0	Tension ring C35	1.000	ST

10 Repair set (2.639-690.0)

POS	Article no.	Description	Quantity	Unit
3	5.958-671.0	Spare parts list add-on kit hose couplin	1.000	ST
Item text2: 26396900				

3 Spare parts list add-on kit hose couplin (5.958-671.0)

POS	Description	Quantity	Unit
10	Add-on kit hose coupling	1.000	ST



10 Add-on kit hose coupling

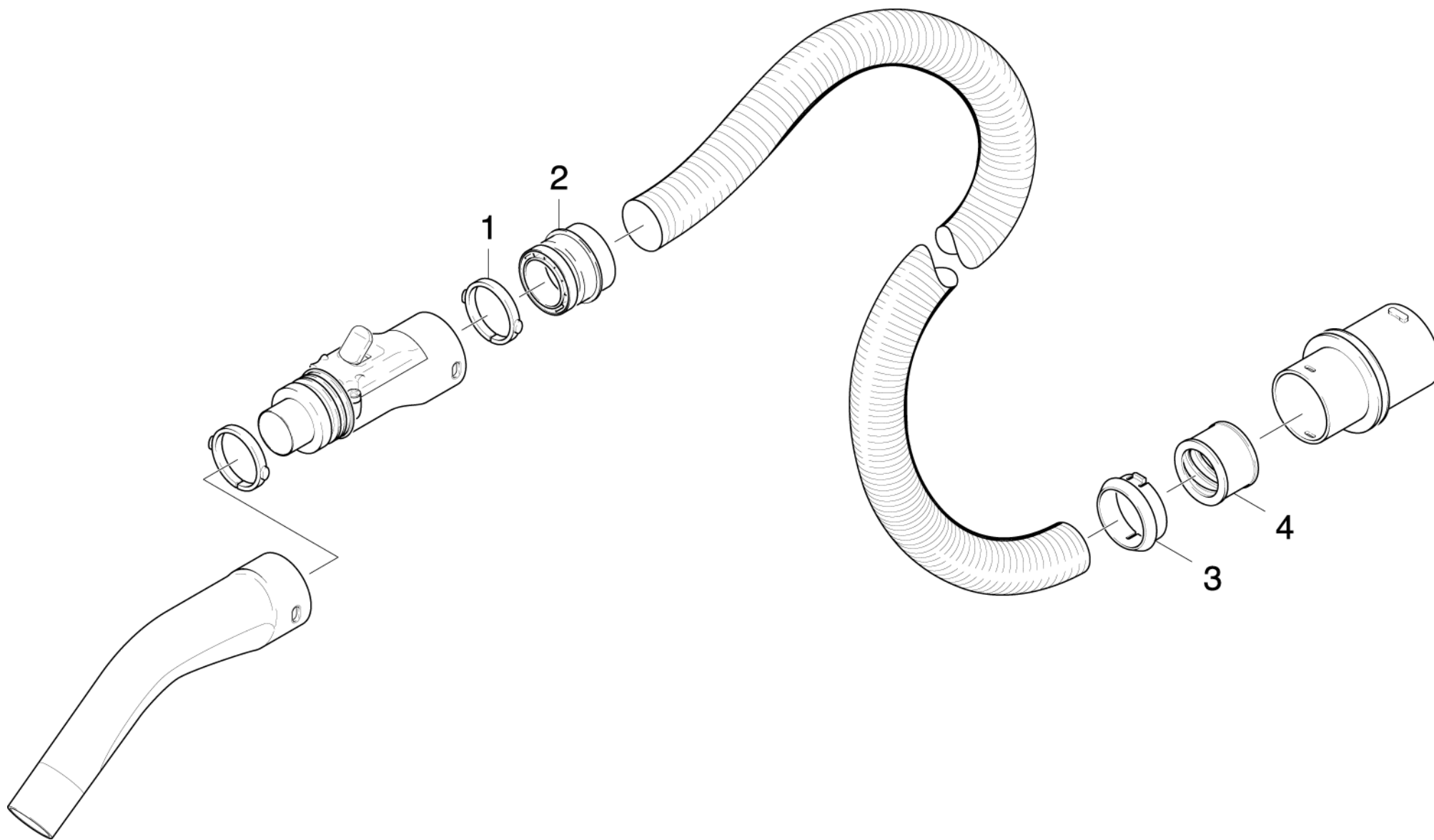
POS	Article no.	Description	Quantity	Unit
3	6.902-065.0	Clamp sleeve	1.000	ST
1	5.031-703.0	Tension ring C35	1.000	ST
4	6.902-112.0	Threaded ring	1.000	ST
2	5.406-019.0	Threaded ring C35EL	1.000	ST

10 Repair set (2.639-690.0)

POS	Article no.	Description	Quantity	Unit
3	5.958-671.0	Spare parts list add-on kit hose couplin	1.000	ST
Item text2: 26396900				

3 Spare parts list add-on kit hose couplin (5.958-671.0)

POS	Description	Quantity	Unit
10	Add-on kit hose coupling	1.000	ST



10 Add-on kit hose coupling

POS	Article no.	Description	Quantity	Unit
3	6.902-065.0	Clamp sleeve	1.000	ST
1	5.031-703.0	Tension ring C35	1.000	ST
4	6.902-112.0	Threaded ring	1.000	ST
2	5.406-019.0	Threaded ring C35EL	1.000	ST