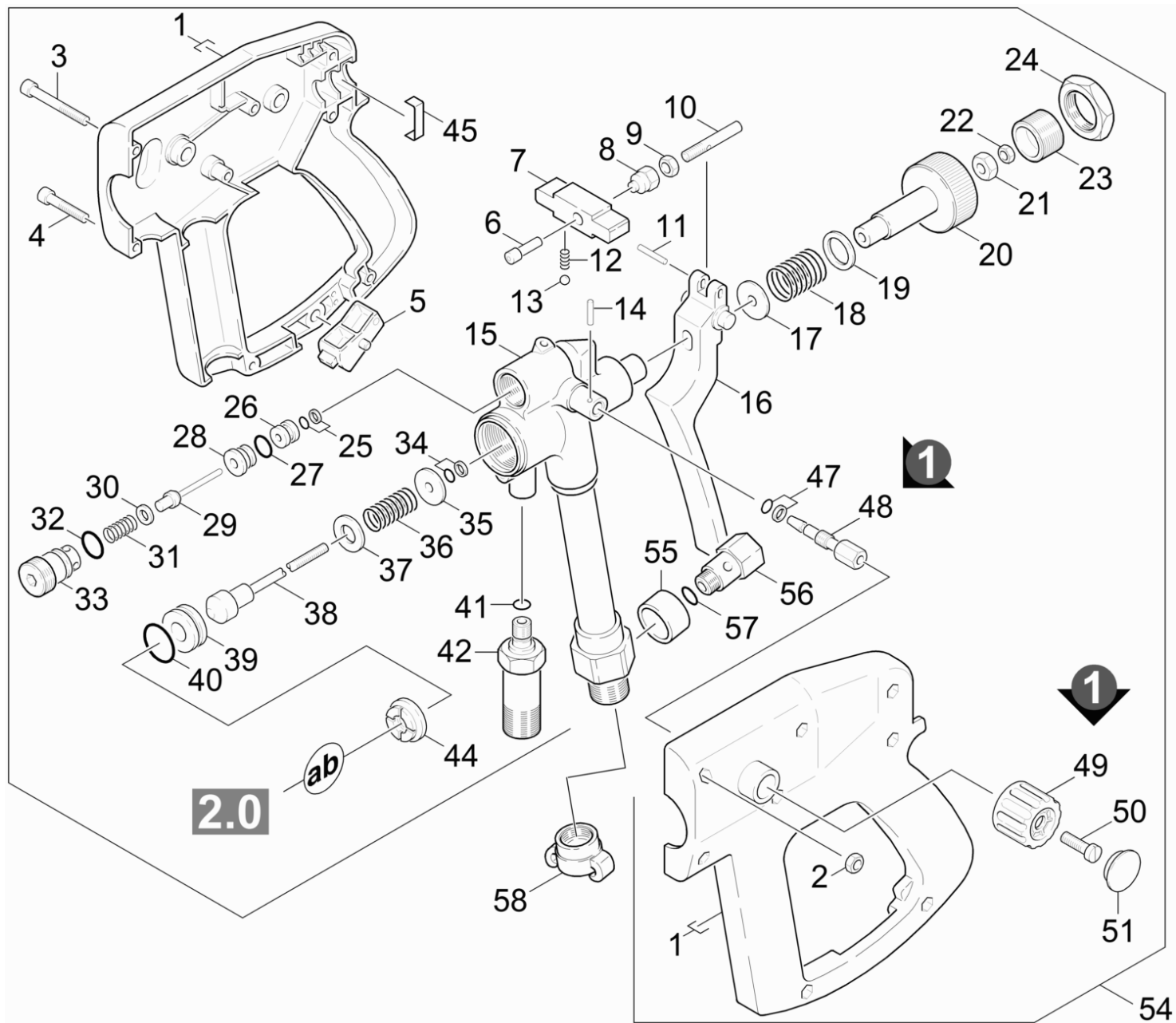


11 Pistol

Professional \ Industrial cleaning systems \ High pressure cleaner stationary \ Jet gun \ Spare parts list jet gun \ Pistol \ Pistol



11 Pistol

Professional \ Industrial cleaning systems \ High pressure cleaner stationary \ Jet gun \ Spare parts list jet gun \ Pistol \ Pistol

KÄRCHER

POS	Preces Nr.	Apraksts	Skaitis	Vienība	Sērijas numurs no	Sērijas numurs līdz	Zemsvītras piezīme
23	5.304-069.0	Adjusting screw	1.000	ST	0000000000	0000000000	
20	5.304-066.0	Adjusting screw	1.000	ST	0000000000	0000000000	
10	5.316-850.0	Bolt	1.000	ST	0000000000	0000000000	
6	5.316-851.0	Bolt	1.000	ST	0000000000	0000000000	
58	7.386-023.0	Coupler VBI 3/4-EN-JM1030 DIN3489	1.000	ST	0000000000	0000000000	
3	7.306-167.0	Cylinder head screw M 4x40-8.8-A2E DIN	2.000	ST	0000000000	0000000000	
47	6.362-477.0	Gredzenblīve, pilns komplekts 1ST.-R.	1.000	ST	0000000000	0000000000	
25	6.362-992.0	Gredzenblīve, pilns komplekts 2,6X1,9	1.000	ST	0000000000	0000000000	
57	6.362-482.0	Gredzenblīve 10 x 1,5-NBR 70	1.000	ST	0000000000	0000000000	
40	6.362-161.0	Gredzenblīve 19,3 X 2,4	1.000	ST	0000000000	0000000000	
49	5.321-421.0	Handhold	1.000	ST	0000000000	0000000000	VERSION 2
1	5.321-607.0	Handhold few	1.000	ST	0000000000	0000000000	
16	5.325-013.0	Hand lever	1.000	ST	0000000000	0000000000	
18	5.332-434.0	Helical spring	1.000	ST	0000000000	0000000000	
12	5.332-233.0	Helical spring	1.000	ST	0000000000	0000000000	
31	5.332-435.0	Helical spring	1.000	ST	0000000000	0000000000	
36	5.332-433.0	Helical spring	1.000	ST	0000000000	0000000000	
21	5.311-200.0	Hexagon nut	1.000	ST	0000000000	0000000000	
2	7.311-064.0	Hexagon nut	8.000	ST	0000000000	0000000000	
24	5.311-201.0	Hexagon nut	1.000	ST	0000000000	0000000000	
22	7.311-203.0	Hexagon nut M5 -A4-035 ISO 4035	1.000	ST	0000000000	0000000000	
9	7.311-211.0	Hexagon nut M 6-CU2 ISO 4035	1.000	ST	0000000000	0000000000	
8	5.404-073.0	Hollow screw	1.000	ST	0000000000	0000000000	
42	5.443-461.0	Hose stem	1.000	ST	0000000000	0000000000	
54	4.775-370.0	Jet gun ST120	1.000	ST	0000000000	0000000000	
5	5.481-088.0	Lever	1.000	ST	0000000000	0000000000	
15	4.427-192.0	Manifold complete	1.000	ST	0000000000	0000000000	
7	5.031-504.0	Moulded part	1.000	ST	0000000000	0000000000	
44	5.031-503.0	Moulded part	1.000	ST	0000000000	0000000000	
41	6.362-642.0	O-ring seal	1.000	ST	0000000000	0000000000	

11 Pistol

Professional \ Industrial cleaning systems \ High pressure cleaner stationary \ Jet gun \ Spare parts list jet gun \ Pistol \ Pistol



POS	Preces Nr.	Apraksts	Skaitis	Vieniba	Sērijas numurs no	Sērijas numurs līdz	Zemsvītras piezīme
27	6.362-597.0	O-ring seal	1.000	ST	0000000000	0000000000	
32	6.362-673.0	O-Ring seal 14,0 X 1,78	1.000	ST	0000000000	0000000000	
34	6.362-719.0	O-Ring seal complete 1ST.R.	1.000	ST	0000000000	0000000000	
29	5.553-384.0	Piston	1.000	ST	0000000000	0000000000	
38	4.553-178.0	Piston only for replacement	1.000	ST	0000000000	0000000000	
45	5.337-034.0	Plate spring	1.000	ST	0000000000	0000000000	
51	5.132-038.0	plug	1.000	ST	0000000000	0000000000	
55	5.394-564.0	Protection part	1.000	ST	0000000000	0000000000	
56	4.580-362.0	Safety valve	1.000	ST	0000000000	0000000000	
4	7.306-211.0	Screw M 4x25-A2-70 (IN6RD)	6.000	ST	0000000000	0000000000	
33	5.411-137.0	Screw plug	1.000	ST	0000000000	0000000000	
13	7.401-902.0	Sfēra 5 G20 -1.4034 DIN 5401	1.000	ST	0000000000	0000000000	
26	5.110-683.0	Spacer sleeve	1.000	ST	0000000000	0000000000	
48	5.291-074.0	Spindle	1.000	ST	0000000000	0000000000	VERSION 1
14	7.314-621.0	Straight grooved pin 2,0x10-CU2 ISO 874	1.000	ST	0000000000	0000000000	
11	7.314-084.0	Straight pin 3m6x20-A1 ISO 2338	1.000	ST	0000000000	0000000000	
39	5.581-225.0	Valve seat	1.000	ST	0000000000	0000000000	
28	5.581-224.0	Valve seat	1.000	ST	0000000000	0000000000	
35	5.115-759.0	Washer	1.000	ST	0000000000	0000000000	
17	5.115-772.0	Washer	1.000	ST	0000000000	0000000000	
30	5.115-761.0	Washer	1.000	ST	0000000000	0000000000	
37	5.115-760.0	Washer	1.000	ST	0000000000	0000000000	
19	5.115-773.0	Washer	1.000	ST	0000000000	0000000000	