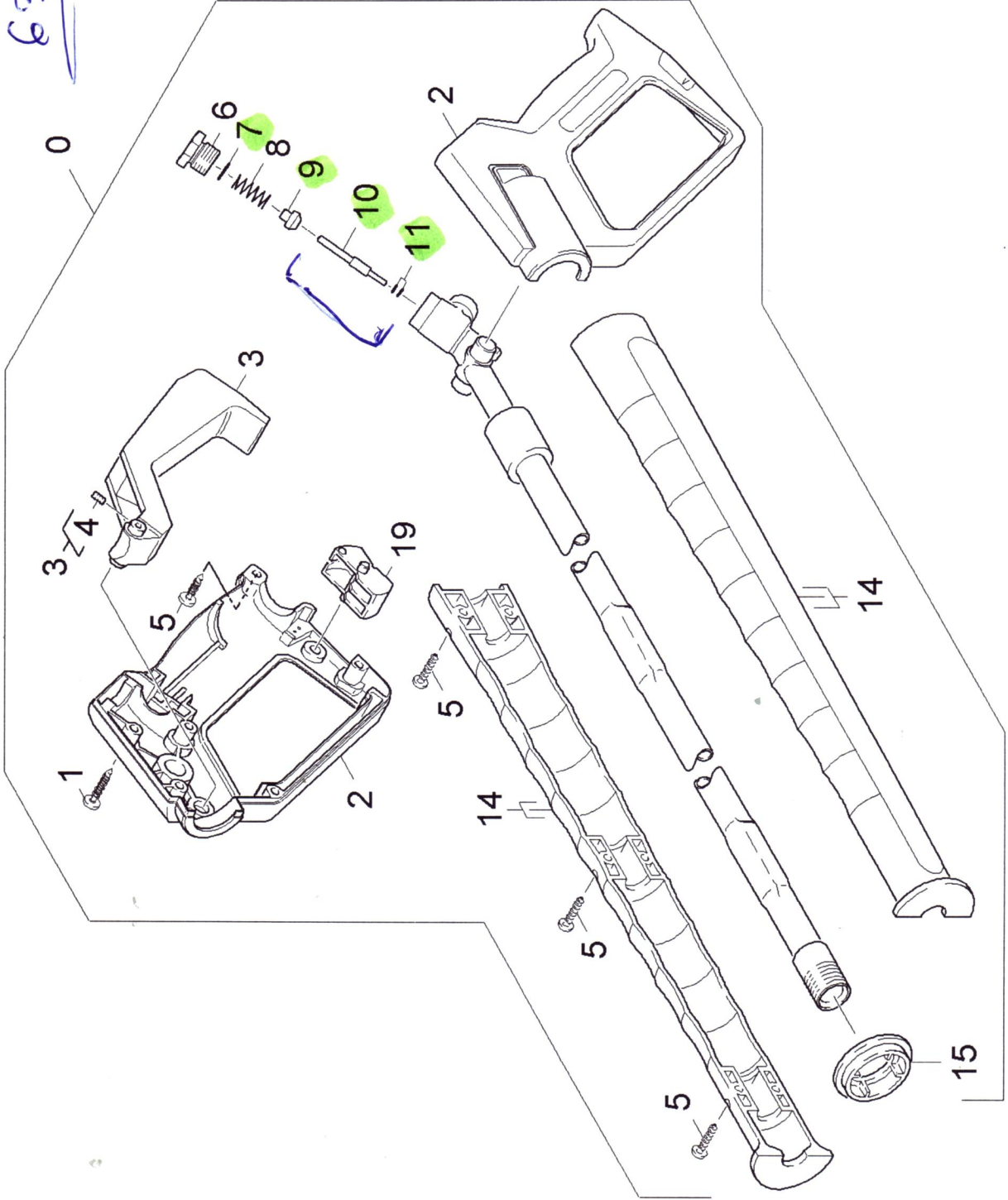


# 41 Hand trigger gun

Home and Garden \ High pressure cleaner cold water \ Electric motor \ Others \ Xpart HD 7125 \*EU \ Spare parts list Xpart HD 7125 \*EU \ Accessories \ Hand trigger gun

# KÄRCHER

6365 M77,



## 41 Hand trigger gun

Home and Garden \ High pressure cleaner cold water \ Electric motor \ Others \ Xpart HO 7125 \*EU \ Spare parts list Xpart HO 7125 \*EU \ Accessories \ Hand trigger gun

# KARCHER

POS	Article no.	Description	Quantity	Unit
0	4.775-492.0	Hand trigger gun	1.000	ST
1	7.303-096.0	Screw 4x22 -ST-10.9-R2R (IN6RD)	6.000	ST
2	5.321-206.0	Handhold few	1.000	ST
3	4.481-050.0	Lever	1.000	ST
4	7.307-417.0	Threaded pin M8x16 -45H-A2E ISO 4026	1.000	ST
5	7.303-129.0	Screw 4x16 -10.9-R2R (K-In6Rd)	7.000	ST
6	5.411-067.0	Screw plug	1.000	ST
7	6.362-584.0	O-Ring seal 12,42X 1,78	1.000	ST
8	5.332-157.0	Helical spring	1.000	ST
9	5.582-058.0	Valve disc	1.000	ST
10	5.107-259.0	Bar	1.000	ST
11	6.362-571.0	O-Ring seal complete /1ST.-R	1.000	ST
14	5.322-083.0	Handhold few extended Low End	1.000	ST
15	5.031-259.0	Moulded part	1.000	ST
19	5.481-052.0	Lever	1.000	ST