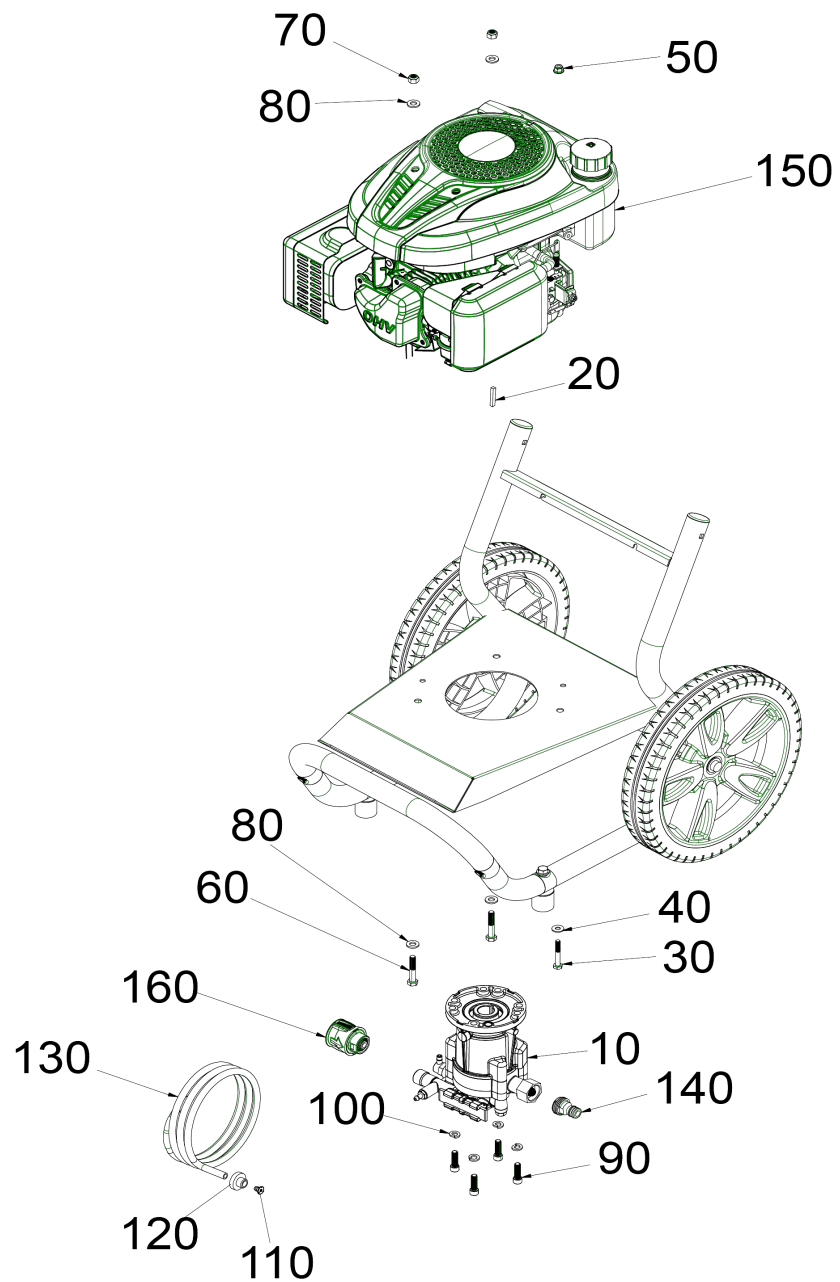


Table of contents

G 7.180 (1.107-390.0)	2
1 Motor pump group G 7.180	3
10 VERTICAL PUMP ASSY H&G FEMALE HOSE CONX	5
10 3000psi Pump Assy-Vertical	7
11 Piston guidance assembly - 3000psi Pump	9
16 Cylinder head gasket assembly - 3000psi	11
5 Valve (3 Stück) (2.884-916.0)	13
6 Drain plug only for replacement (4.132-007.0)	15
8 Spare part set chemistry (2.883-862.0)	17
14 SPARE PART LIST NOZZLE INS 020/021 PUMP (9.139-372.0)	19
150 Engine Loncin LC1P70FC (8.757-697.0)	21
2 Frame group G 7.180	22
3 Accessories group G 7.180	24
10 G 180 Q Trigger gun Quick Connect (2.642-889.0)	26
110 High pressure hose 18MPa/10 60°C QC B (6.396-492.0)	28

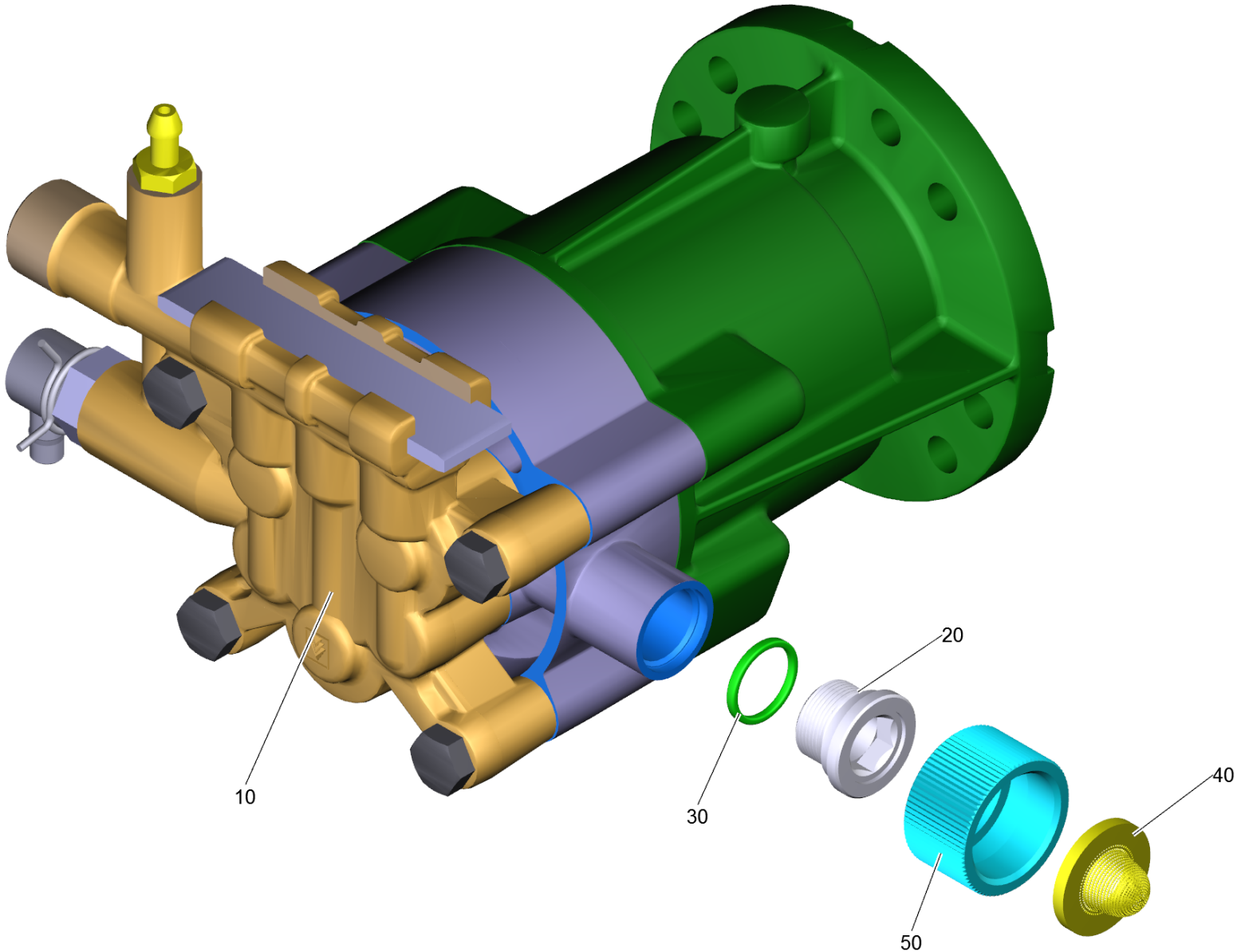
G 7.180 (1.107-390.0)

POS	Article no.	Description	Quantity	Unit
3		Accessories group G 7.180	1.000	ST
2		Frame group G 7.180	1.000	ST
5		Label chemistry tank 180 bar	1.000	ST
1		Motor pump group G 7.180	1.000	ST
10	5.387-620.0	Warning sticker-Prevent from freezing	1.000	ST



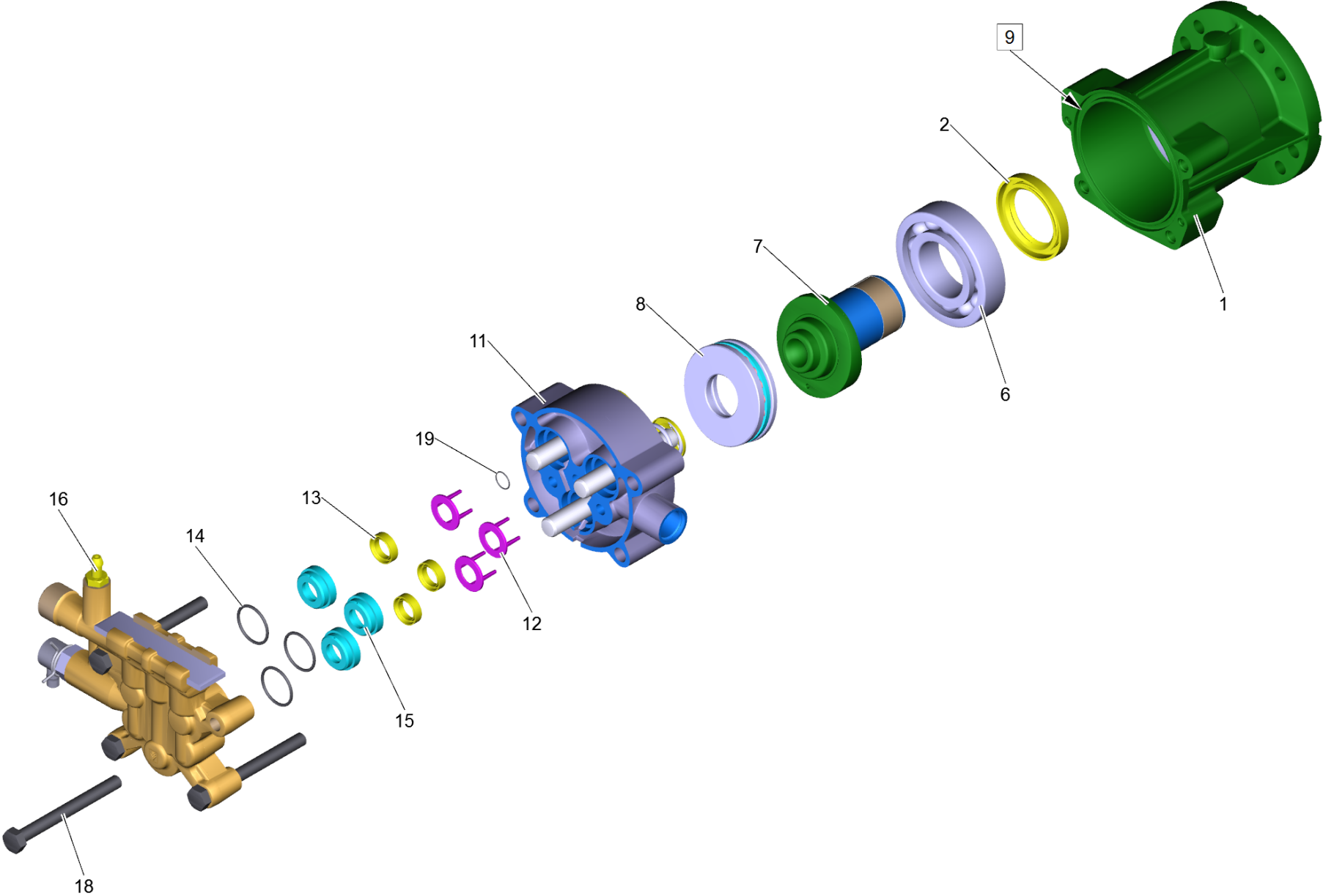
1 Motor pump group G 7.180

POS	Article no.	Description	Quantity	Unit
30	8.751-805.0	1/4-20 x 1-3/4 GR 5 HEX BOLT ZINC	1.000	ST
50	9.197-010.0	1/4-20" Nylon Insert Lock Nut with Flang	1.000	ST
60	9.802-714.0	BOLT, 5/16" X 1-3/4", NC HH	2.000	ST
120	9.802-053.0	BUSHING, FUEL LINE, RUBBER	1.000	ST
150	8.757-697.0	Engine Loncin LC1P70FC	1.000	ST
110	5.731-652.0	Filter with weight	1.000	ST
160	4.470-041.0	High pressure quick-fitting pipe union A	1.000	ST
130	6.388-216.0	Hose DN 5	0.300	M
70	9.802-776.0	NUT, 5/16-18, ESNA	2.000	ST
90	8.756-708.0	SCREW 5/16"-24 X 1" SCH, SS	4.000	ST
20	9.194-592.0	SHAFT KEY	1.000	ST
140	6.645-538.0	Tap adaptor complete US w/m thread	1.000	ST
10		VERTICAL PUMP ASSY H&G FEMALE HOSE CONX	1.000	ST
100	5.115-656.0	Washer	4.000	ST
40	9.802-802.0	WASHER, 1/4" FLAT SAE ZINC	1.000	ST
80	8.718-980.0	WASHER, 5/16" FLAT, SAE (780452)	4.000	ST



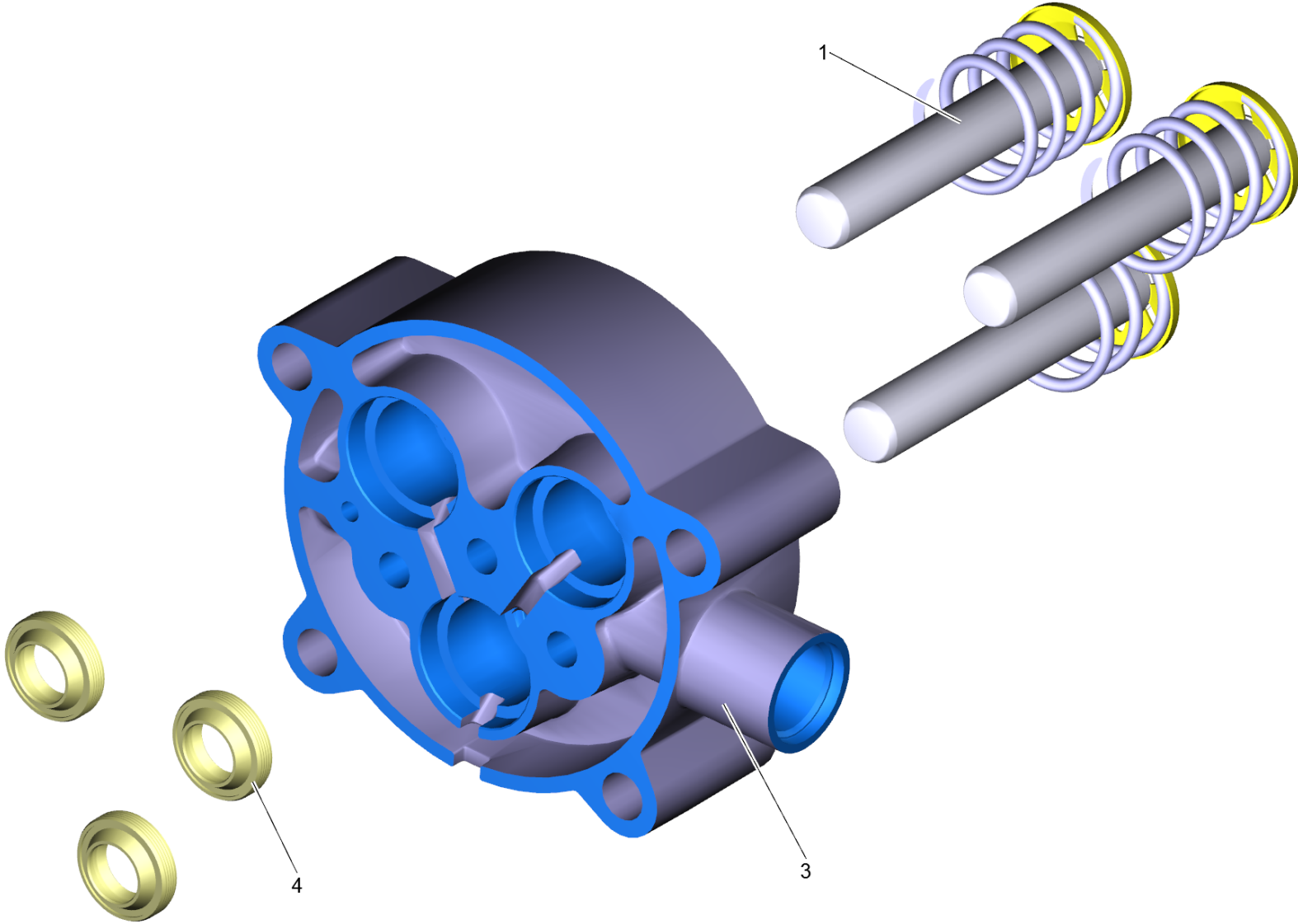
10 VERTICAL PUMP ASSY H&G FEMALE HOSE CONX

POS	Article no.	Description	Quantity	Unit
10		3000psi Pump Assy-Vertical	1.000	ST
40	9.181-005.0	FILTER SEAL-HOSE CONNECTOR-	1.000	ST
20	9.134-019.0	MALE ADAPTER	1.000	ST
50	9.154-044.0	Nut, Garden hose connector	1.000	ST
30	6.362-390.0	O-Ring seal 15,6 X 1,78	1.000	ST



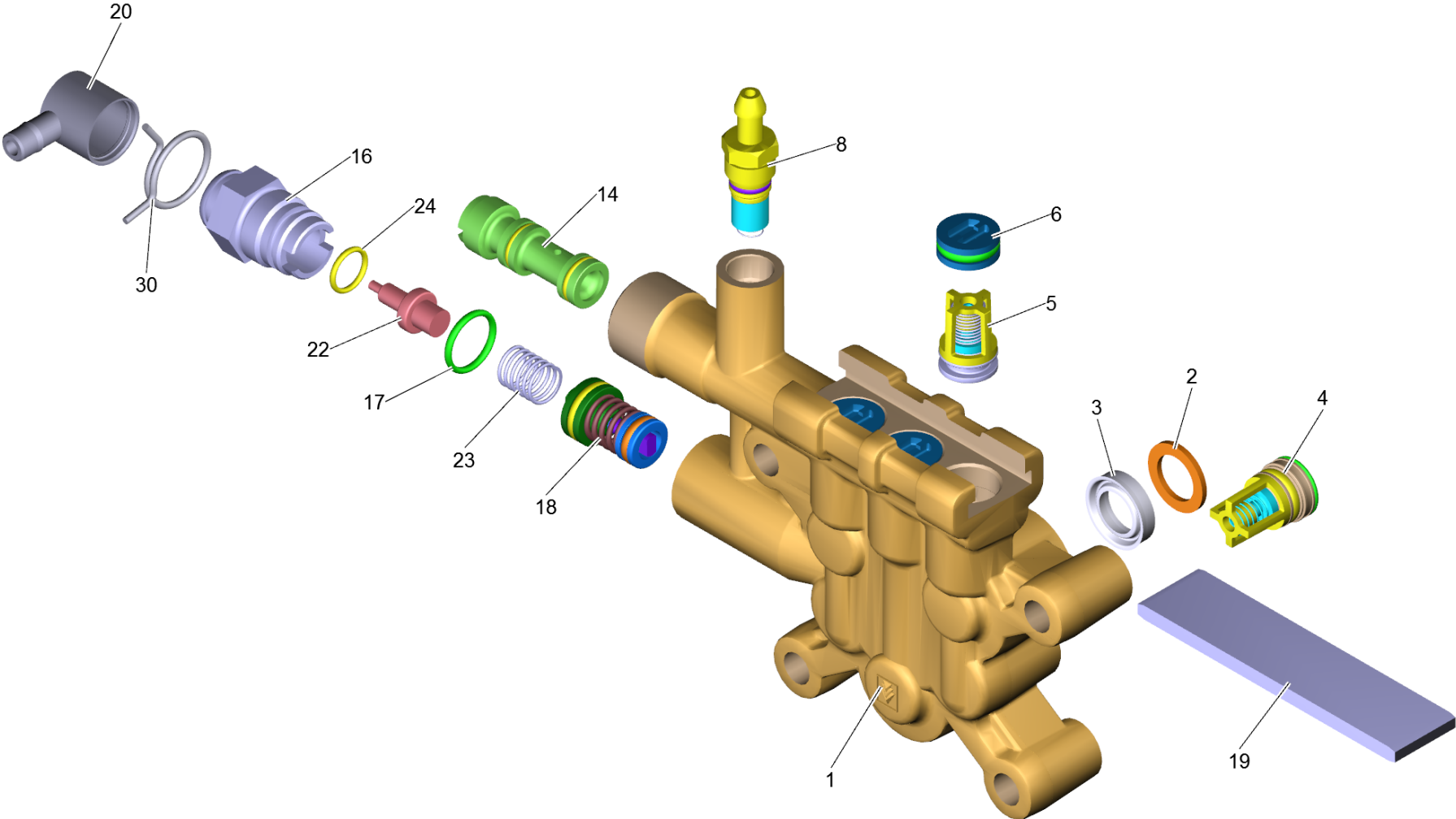
10 3000psi Pump Assy-Vertical

POS	Article no.	Description	Quantity	Unit
6	9.165-356.0	BALL BEARING NO. 6207	1.000	ST
16		Cylinder head gasket assembly - 3000psi	1.000	ST
20	6.288-050.0	Engine oil 1L	1.000	ST
8	9.165-355.0	GROOVED BALL BEARING	1.000	ST
13	6.363-058.0	Grooved ring 12x18x5 (90Shore)	3.000	ST
18	7.304-098.0	Hexagonal head screw M8x80-8.8-A2E ISO	4.000	ST
15	9.155-011.0	HOUSING-LOW PRESSURE SEAL	3.000	ST
19	6.363-626.0	O-Ring seal 4,47x1,78 -NBR90	1.000	ST
14	6.362-833.0	O-Ring seal 21,5 x 1,78	3.000	ST
9	6.362-471.0	O-Ring seal 80,0 X 3,0 -NBR 70	1.000	ST
1	9.135-016.0	Oil Housing Vertical Machined	1.000	ST
11		Piston guidance assembly - 3000psi Pump	1.000	ST
2	9.177-314.0	Radial Seal, 35x52x7	1.000	ST
12	9.134-016.0	SPACER-OIL SEAL & SEAL HSG.	3.000	ST
7	9.135-017.0	Swash Plate Vertical-Machined-	1.000	ST



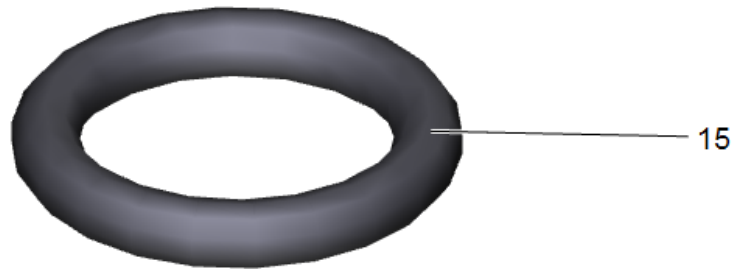
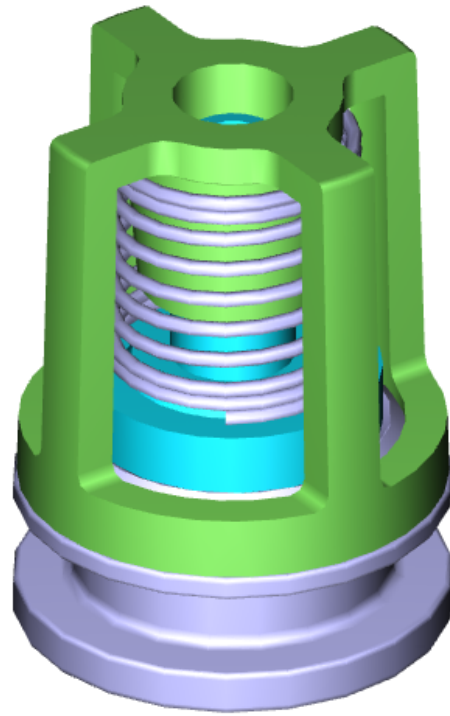
11 Piston guidance assembly - 3000psi Pump

POS	Article no.	Description	Quantity	Unit
4	6.365-393.0	Oil sealing 12x20x4/6	3.000	ST
3	9.133-007.0	Piston Guide-Machined	1.000	ST
1	9.139-370.0	SPARE PART LIST PISTON 020/021 PUMP	3.000	ST



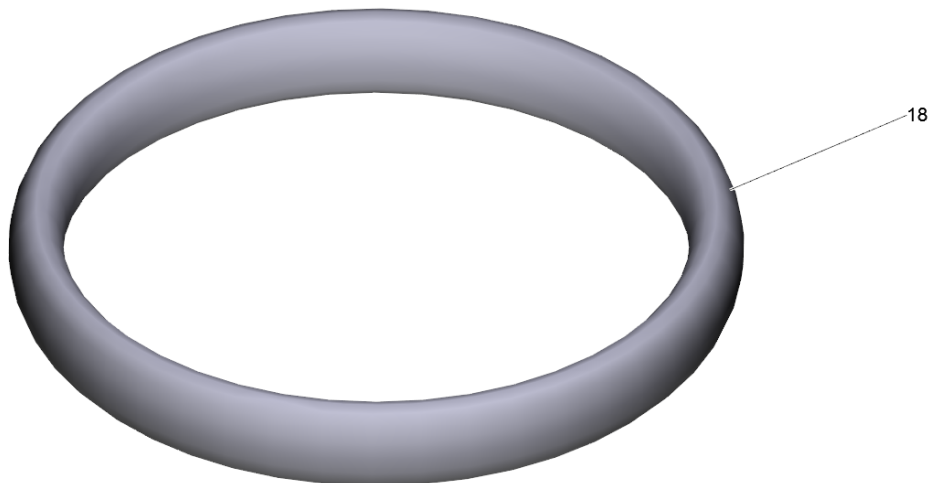
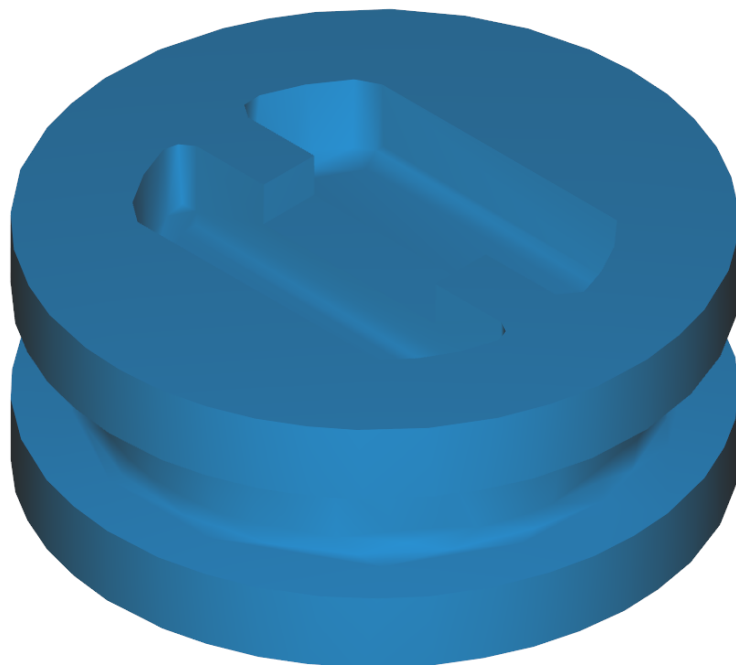
16 Cylinder head gasket assembly - 3000psi

POS	Article no.	Description	Quantity	Unit
2	9.177-310.0	BACK RING-HIGH PRESSURE SEAL-	3.000	ST
30	8.752-032.0	CLAMP, TENSION SPRING OD 11/16"	1.000	ST
1	9.135-015.0	Cylinder Head-Machined	1.000	ST
6	4.132-007.0	Drain plug only for replacement	3.000	ST
23	5.332-290.0	Helical spring	1.000	ST
3	9.177-301.0	HIGH PRESSURE SEAL	3.000	ST
24	7.362-507.0	O-Ring seal 8x2-NBR 90 DIN 3770	1.000	ST
17	6.362-480.0	O-Ring seal 12,42x 1,78	1.000	ST
19	5.003-062.0	Plate	1.000	ST
14	9.139-372.0	SPARE PART LIST NOZZLE INS 020/021 PUMP	1.000	ST
8	2.883-862.0	Spare part set chemistry	1.000	ST
22	6.413-403.0	Therموالve 60°	1.000	ST
18	9.175-005.0	Unloader Assembly	1.000	ST
5	2.884-916.0	Valve (3 Stück)	1.000	ST
20	8.752-076.0	VALVE, THERMAL COVER-LONG	1.000	ST
4	9.139-376.0	Valve 3 St.	1.000	ST
16	9.184-018.0	Valve screw	1.000	ST



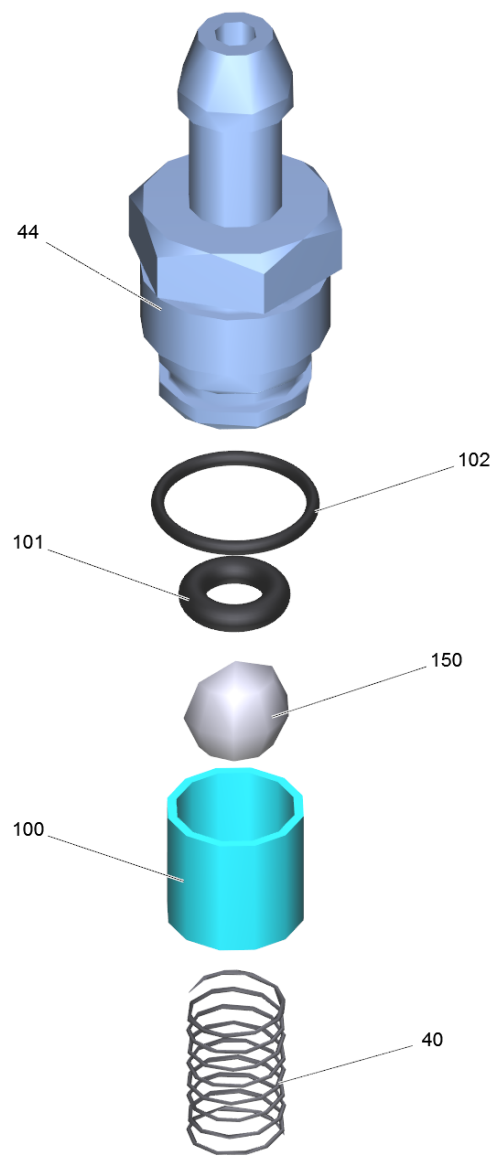
5 Valve (3 Stück) (2.884-916.0)

POS	Article no.	Description	Quantity	Unit
15	6.362-077.0	O-Ring seal 10 x 2,2 NBR 70	1.000	ST



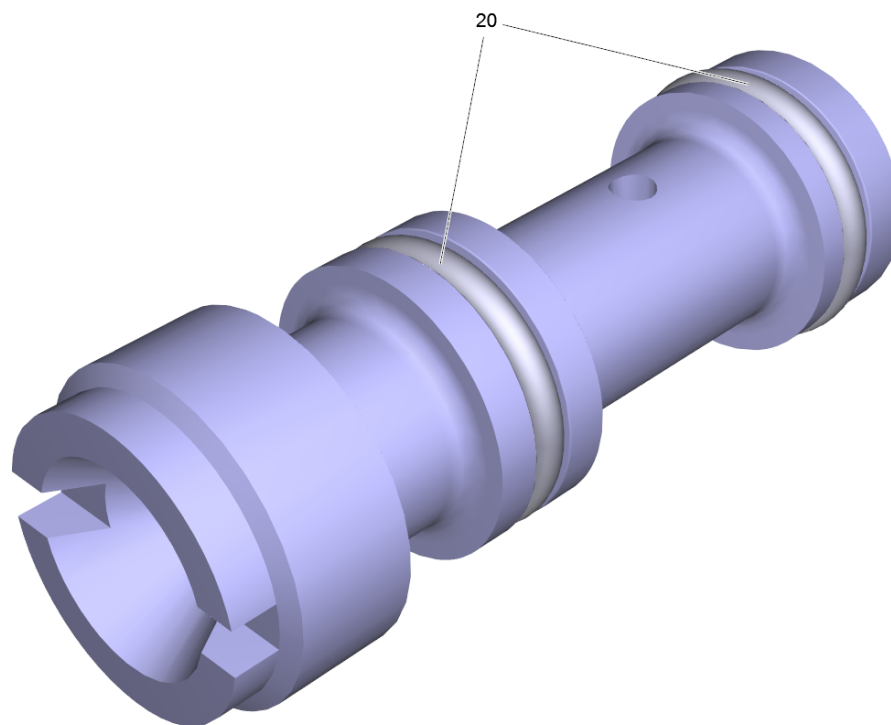
6 Drain plug only for replacement (4.132-007.0)

POS	Article no.	Description	Quantity	Unit
18	6.362-458.0	O-Ring seal 11,0x2,0-NBR 70	1.000	ST



8 Spare part set chemistry (2.883-862.0)

POS	Article no.	Description	Quantity	Unit
40	5.332-258.0	Helical spring	1.000	ST
110	6.376-036.0	Label spare parts neutrally 65x55 MM	1.000	ZST
44	5.443-448.0	Nipple chemistry	1.000	ST
101	6.363-597.0	O-Ring seal 5,28 x 1,78	1.000	ST
102	6.362-451.0	O-Ring seal 8,0 x 1,0	1.000	ST
100	5.110-714.0	Sleeve	1.000	ST
150	7.401-908.0	Sphere 7 G300 -1.4301 DIN 5401	1.000	ST

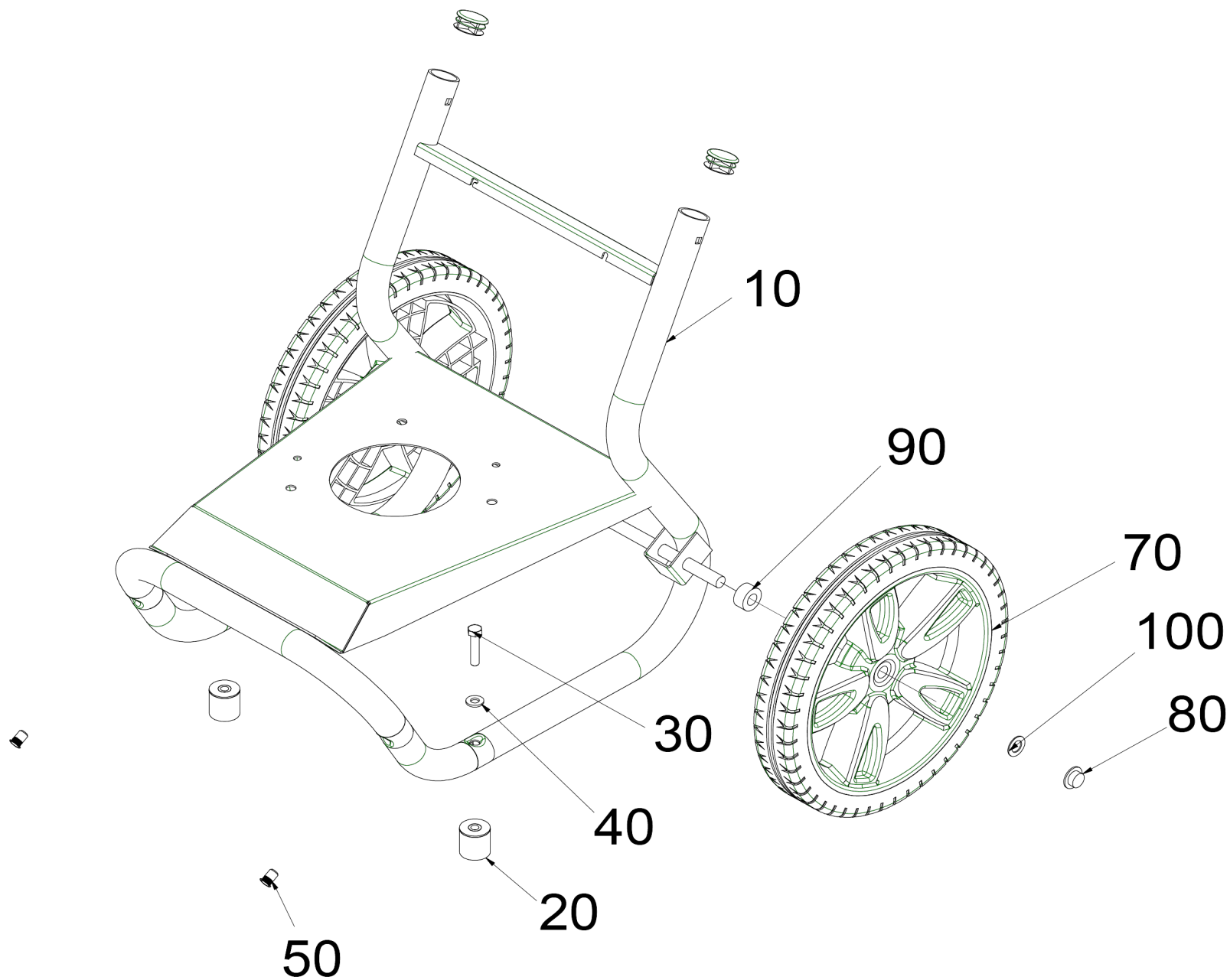


14 SPARE PART LIST NOZZLE INS 020/021 PUMP (9.139-372.0)

POS	Article no.	Description	Quantity	Unit
20	6.362-384.0	O-Ring seal 9x1,5 - NBR 70	2.000	ST

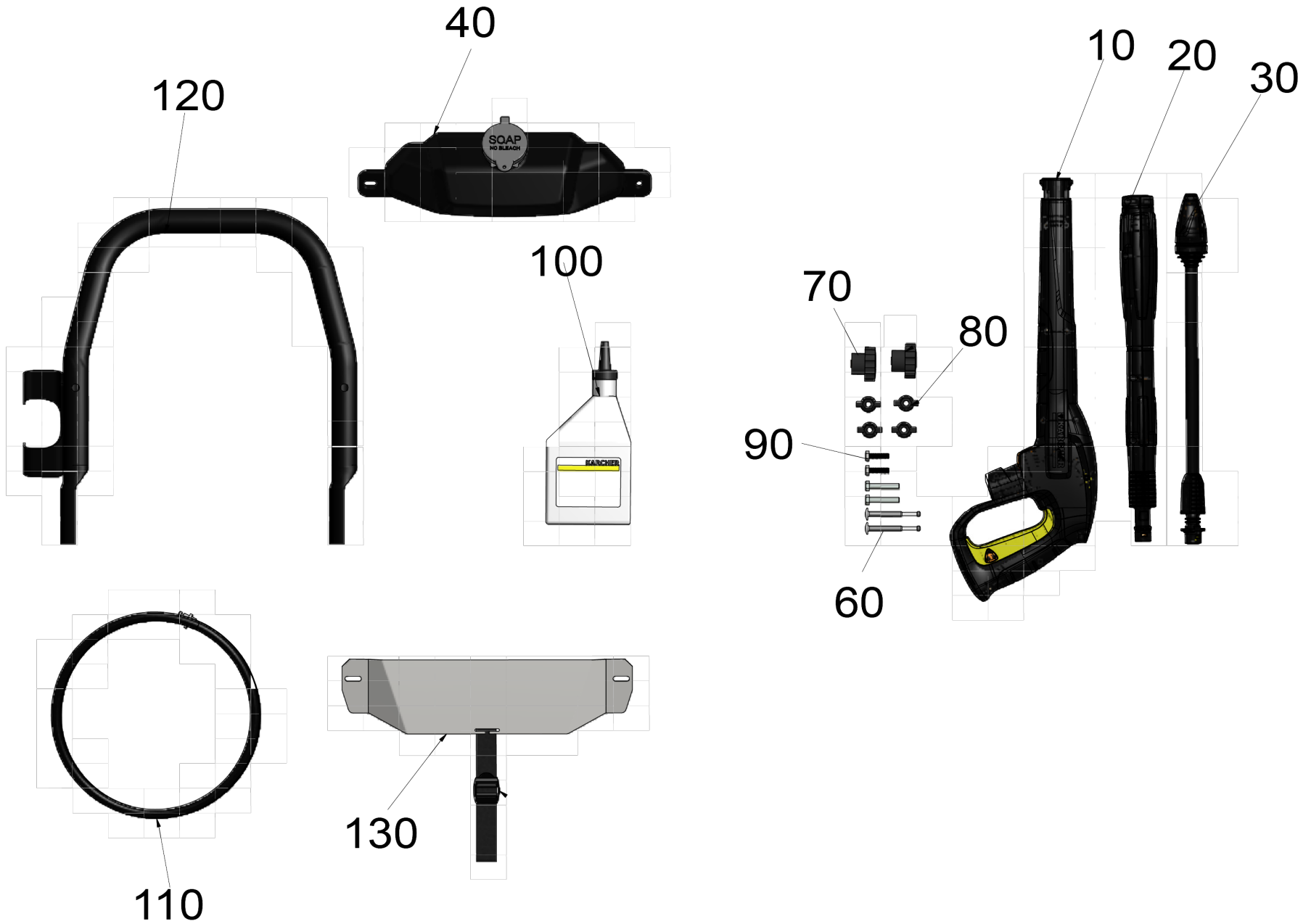
150 Engine Loncin LC1P70FC (8.757-697.0)

POS	Article no.	Description	Quantity	Unit
2	8.757-251.0	AIR FILTER ELEMENT KPS196	1.000	ST
1	8.757-250.0	AIR FILTER INSERT KPS 196	1.000	ST
4	8.757-253.0	HAND HOLD & PULL CORD KPS 196	1.000	ST
6	8.757-255.0	IGNITION PLUG	1.000	ST
5	8.757-254.0	OIL DIP ROD	1.000	ST
3	8.757-252.0	TANK CAP KPS196	1.000	ST



2 Frame group G 7.180

POS	Article no.	Description	Quantity	Unit
80	8.756-755.0	1/2" STEEL CAP, ZINC	2.000	ST
30	9.186-010.0	5/16-18 X 1-1/2 GR 5 HHCS ZINC	2.000	ST
10	8.928-862.0	Frame V2	1.000	ST
50	8.755-010.0	RIVNUT, RIB FLG HD, 1/4"-20	2.000	ST
20	8.757-109.0	RUBBER, 1.18"X1.18" SHORE 43 A	2.000	ST
90	8.757-357.0	SPACER, 1/2" ID X 1/2"	2.000	ST
70	8.756-497.0	SR122A WHEEL, 12"	2.000	ST
100	8.627-932.0	WASHER, .515 X .875 X .063 FLT SS	2.000	ST
40	8.718-980.0	WASHER, 5/16" FLAT, SAE (780452)	2.000	ST



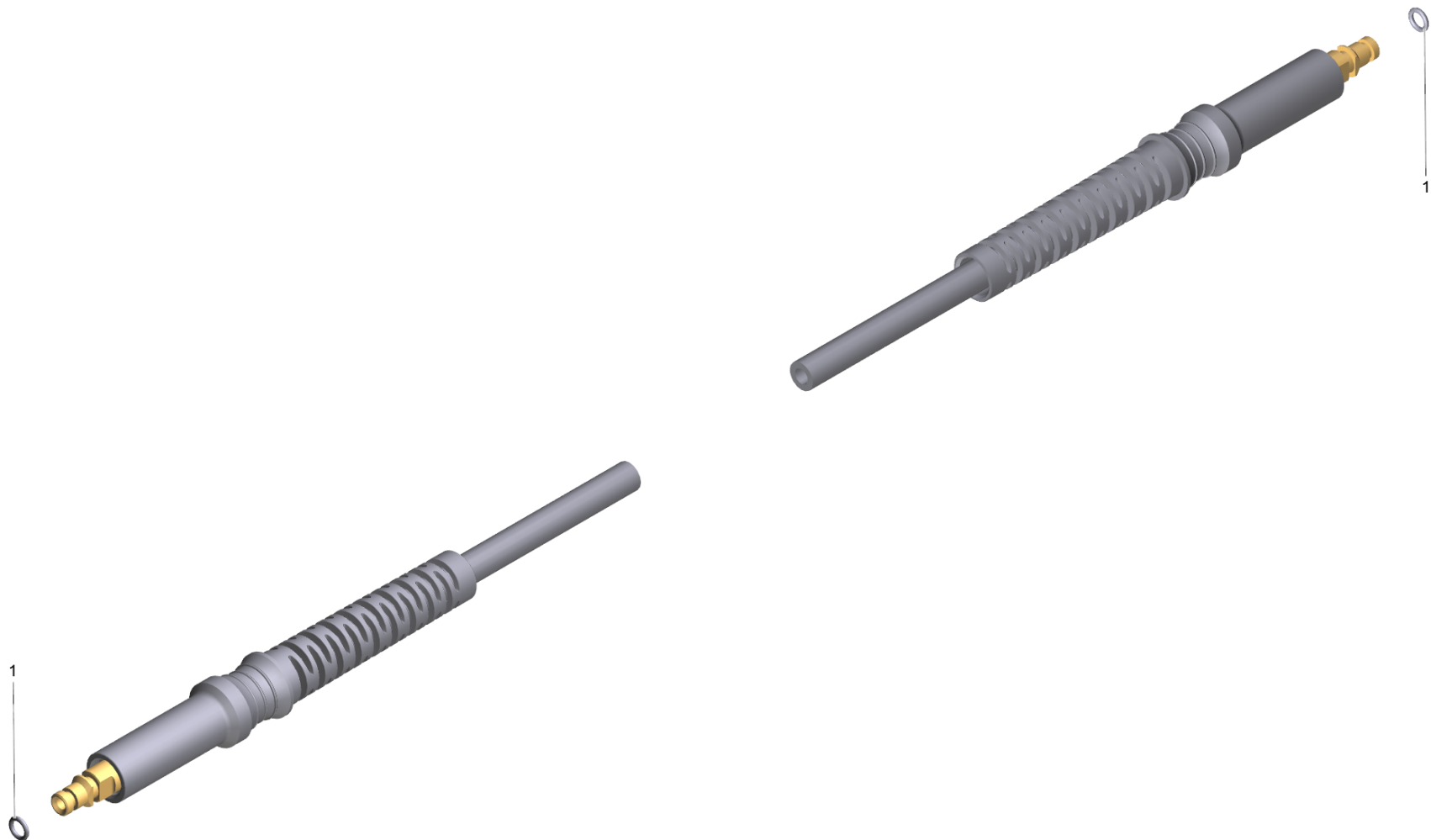
3 Accessories group G 7.180

POS	Article no.	Description	Quantity	Unit
90	9.802-701.0	BOLT, 1/4-20 X 1" HEX HEAD ZINC	4.000	ST
60	8.756-869.0	CARRIAGE BOLT, 1/4"-20X2.555" ,ST , ZINC	2.000	ST
30	4.764-295.0	Dirt blaster Top 035 St	1.000	ST
10	2.642-889.0	G 180 Q Trigger gun Quick Connect	1.000	ST
120	8.928-888.0	Handle V2	1.000	ST
110	6.396-492.0	High pressure hose 18MPa/10 60°C QC B	1.000	ST
70	8.756-868.0	KNOB, 1/4-20, FLUTED STAR	2.000	ST
80	8.624-213.0	KNOB, HEX PRESS-LOC WING	4.000	ST
100	9.180-004.0	MOTOR OIL, SAE-10W 30, 20 oz.	1.000	ST
40	8.928-326.0	SUBASSY, TANK 1/2 GALLON BLACK	1.000	ST
130	8.928-846.0	Top panel G 7.180	1.000	ST
20	4.760-142.0	VPS Top 035	1.000	ST



10 G 180 Q Trigger gun Quick Connect (2.642-889.0)

POS	Article no.	Description	Quantity	Unit
1	5.332-464.0	Pressure spring	1.000	ST



110 High pressure hose 18MPa/10 60°C QC B (6.396-492.0)

POS	Article no.	Description	Quantity	Unit
1	2.640-729.0	O-Ring seal set	1.000	ST
