

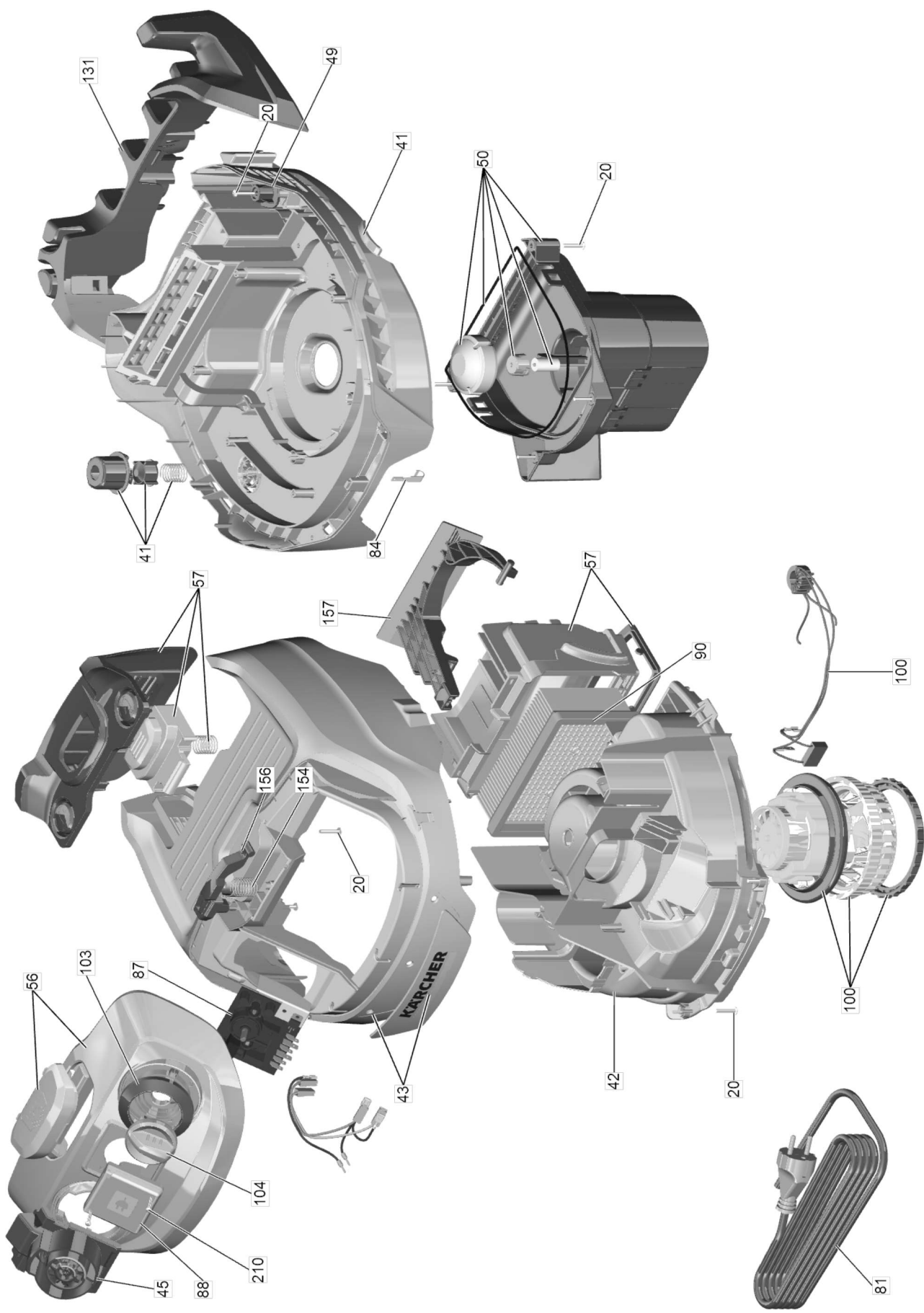
## **Spare parts list**

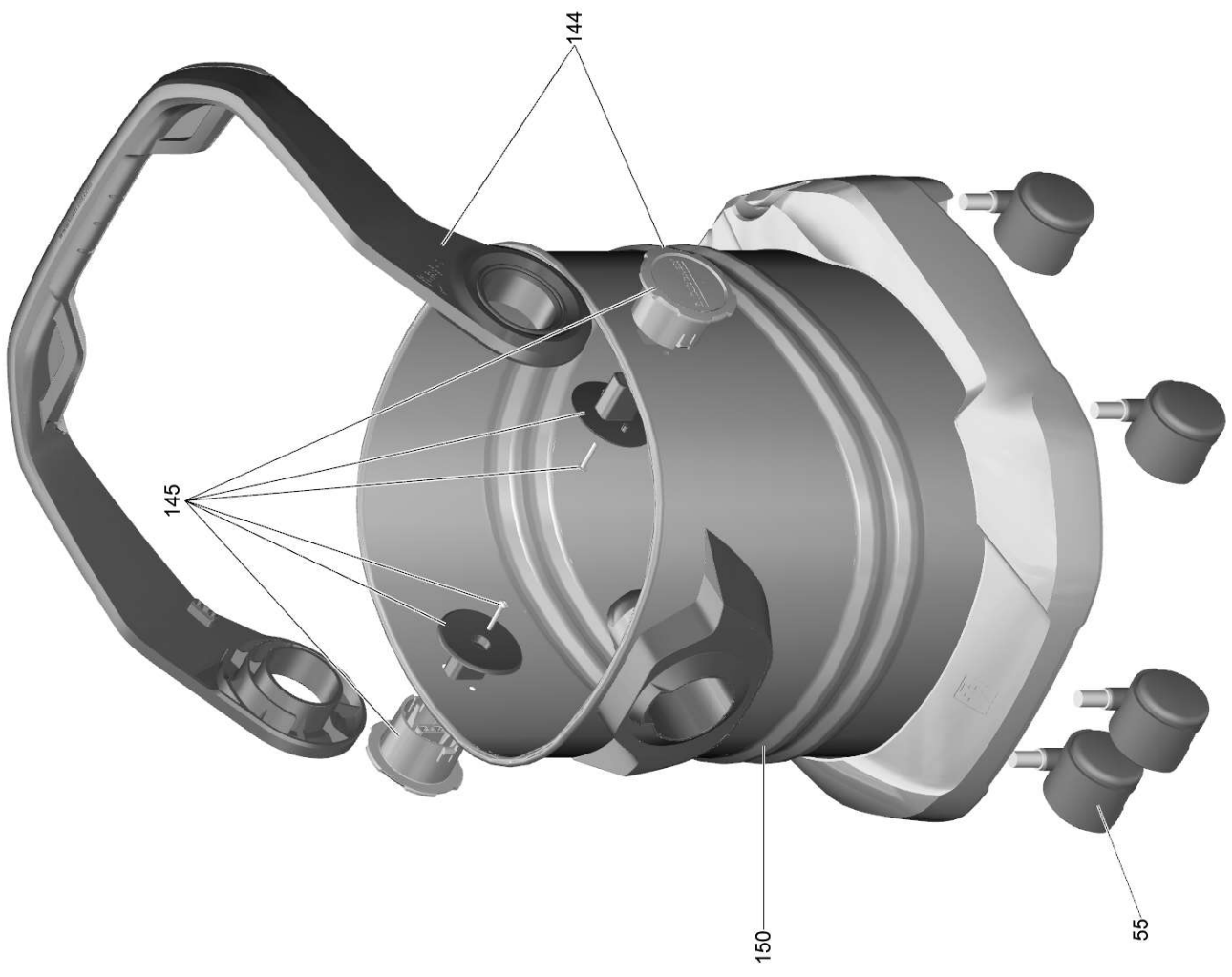
(1.628-356.0) WD 5 P S V-25/5/22 (YSY) \*EU

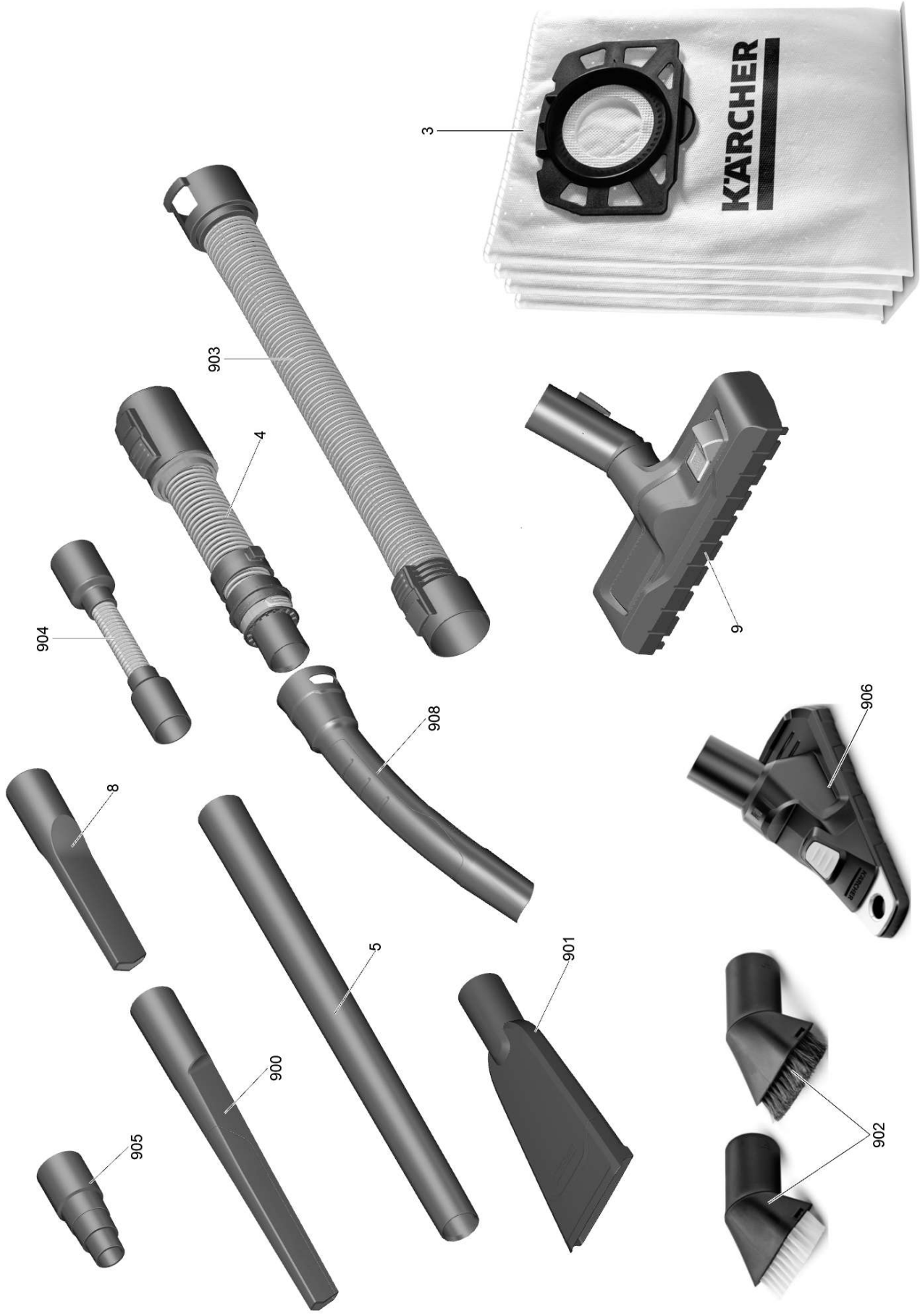
## Table of contents

---

|  |    |
|--|----|
| WD 5 P S V-25/5/22 (YSY) *EU (1.628-356.0)   | 3  |
| 4 Suction hose complete for replacement 2,2m - without handhold (4.440-135.3)      | 8  |
| 4 Suction hose complete for replacement AS 3,5m 2,2m - with handhold (4.440-140.3) | 10 |
| 41 Motor bracket complete (9.002-089.0)  | 12 |
| 50 Housing float complete  | 14 |
| 57 Filter box complete (9.002-091.0)   | 16 |
| 150 Tank stainless steel for replacement 25L SBBY- (4.628-021.3)                   | 18 |
| 904 Vacuum kit for power tools WD 2St. (2.863-112.0)                               | 20 |





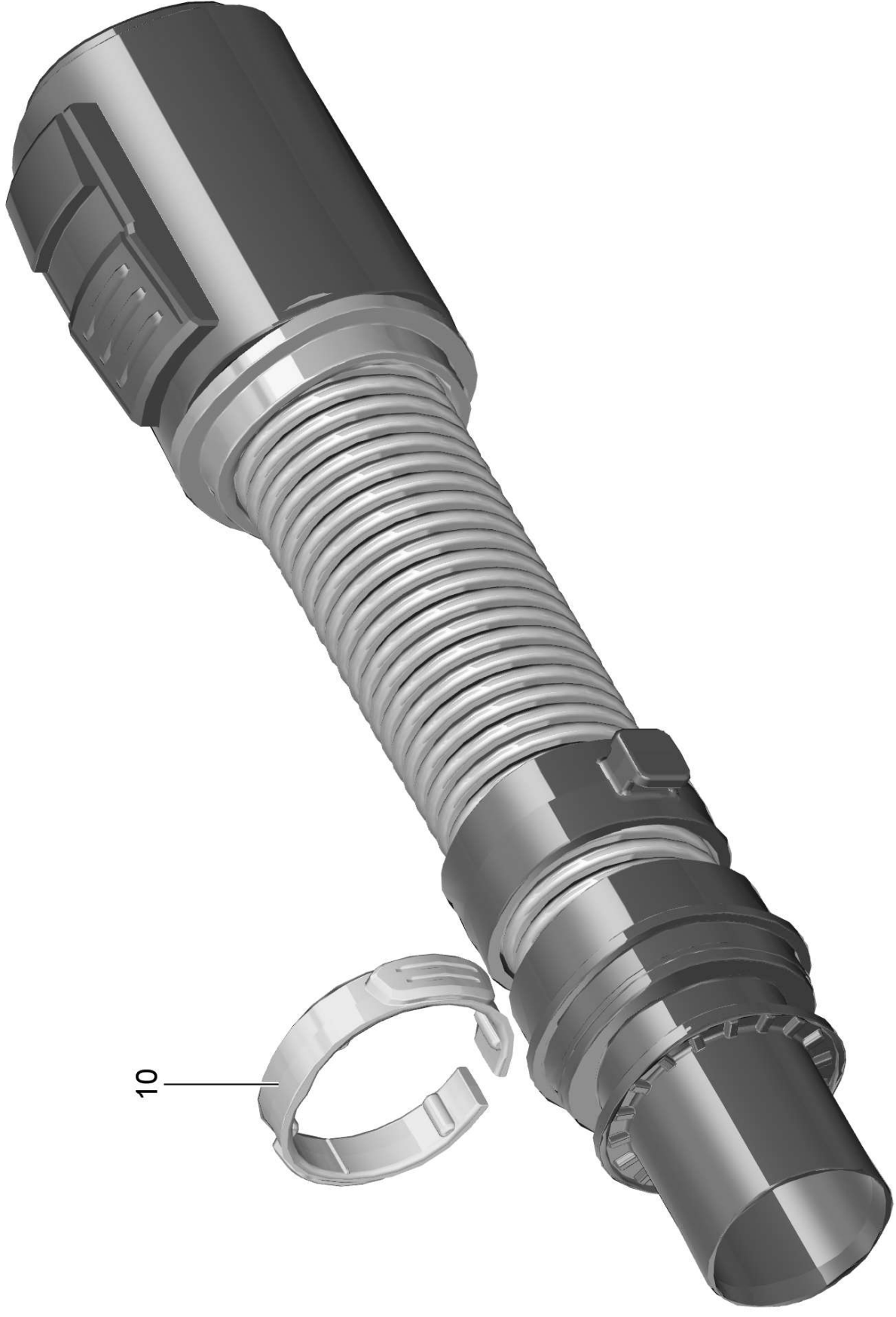


WD 5 P S V-25/5/22 (YSY) \*EU (1.628-356.0)

| POS | Article no. | Description  | Quantity | Unit |
|-----|-------------|--|----------|------|
| 50  |             | Housing float complete   | 1        | PC   |
| 9   | 2.863-000.0 | Wet and dry nozzle switchable WD/SE                                | 1        | PC   |
| 90  | 2.863-005.0 | Flat-pleated filter WD   | 1        | PC   |
| 3   | 2.863-006.0 | Filter bag fleece WD 4St.  | 1        | PC   |
| 908 | 2.863-012.0 | Hand grip suction hose   | 1        | PC   |
| 904 | 2.863-112.0 | Vacuum kit for power tools WD 2St.                                 | 1        | PC   |
| 902 | 2.863-221.0 | Suction brush kit WD 2pc.  | 1        | PC   |
| 906 | 2.863-234.0 | Drill Dust Catcher WD  | 1        | PC   |
| 903 | 2.863-305.0 | Extension suction hose 3,5m  | 1        | PC   |
| 900 | 2.863-306.0 | Crevice nozzle extra long WD                                       | 1        | PC   |
| 5   | 2.863-308.0 | Extension suction tube WD ID 35                                    | 2        | PC   |
| 901 | 2.863-316.0 | Car nozzle   | 1        | PC   |
| 4   | 4.440-135.3 | Suction hose complete for replacement 2,2m - without handhold      | 1        | PC   |
| 4   | 4.440-140.3 | Suction hose complete for replacement AS 3,5m 2,2m - with handhold | 1        | PC   |
| 903 | 4.441-068.0 | Hose extension packaged 1,5 m                                      | 1        | PC   |
| 100 | 4.624-436.3 | Blower motor complete for replacement 1100W Domel PT               | 1        | PC   |
| 150 | 4.628-021.3 | Tank stainless steel for replacement 25L SBBY-                     | 1        | PC   |
| 43  | 4.628-024.3 | Cover complete for replacement WD 5/6 -Y                           | 1        | PC   |
| 87  | 4.682-004.0 | Electronics for replacement WD5/WD6                                | 1        | PC   |
| 56  | 5.628-056.3 | Screen cover for replacement WD 5/6 PT                             | 1        | PC   |
| 103 | 5.628-059.3 | Ring printed for replacement ON/OFF PT                             | 1        | PC   |
| 210 | 6.633-534.0 | Oval head screw with Kombi-Torx 3x18                               | 2        | PC   |
| 88  | 6.646-561.0 | Plug socket *EU  | 1        | PC   |
| 81  | 6.651-285.3 | Cable with plug for replacement 3x1,5mm² *EU -8.5m                 | 1        | PC   |
| 8   | 6.900-385.0 | Crevice nozzle DN35  | 1        | PC   |
| 41  | 9.002-089.0 | Motor bracket complete   | 1        | PC   |
| 57  | 9.002-091.0 | Filter box complete  | 1        | PC   |
| 144 | 9.002-093.0 | Handle complete  | 1        | PC   |
| 145 | 9.002-094.0 | Flange hand grip complete  | 1        | PC   |
| 55  | 9.012-975.0 | Pivot wheel Ø50  | 5        | PC   |
| 45  | 9.013-059.0 | Connection complete  | 1        | PC   |
| 55  | 9.036-479.0 | Castor D50   | 5        | PC   |
|     |             | <b>Item text1:</b> replaced by 9.012-975.0                         |          |      |

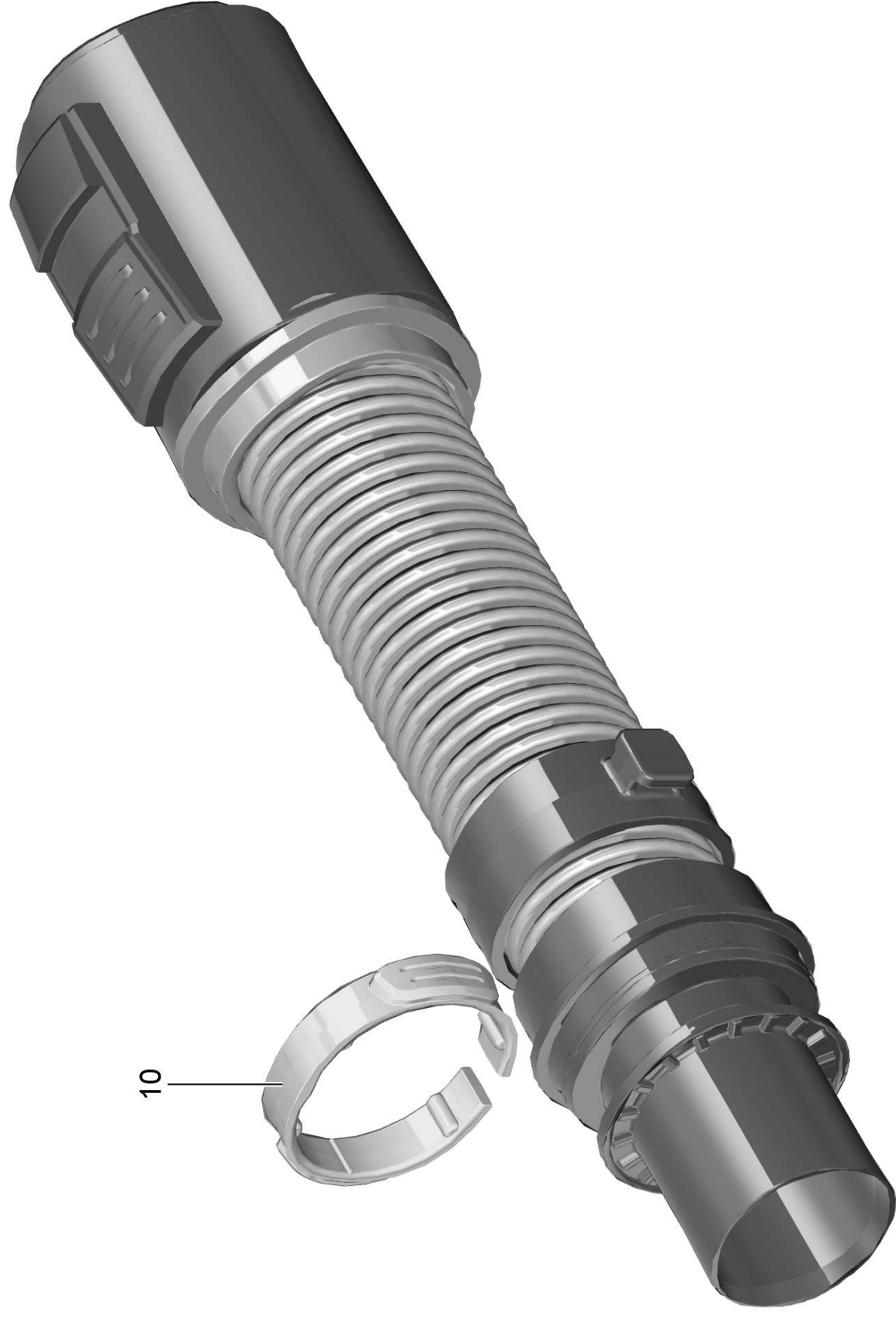
WD 5 P S V-25/5/22 (YSY) \*EU (1.628-356.0)

| POS | Article no. | Description                       | Quantity | Unit |
|-----|-------------|-----------------------------------|----------|------|
| 49  | 9.036-997.0 | Strain relief                     | 1        | PC   |
| 42  | 9.038-271.0 | Air circulation                   | 1        | PC   |
| 156 | 9.038-278.0 | Lever spring                      | 1        | PC   |
| 157 | 9.038-279.0 | Flap filter                       | 1        | PC   |
| 131 | 9.038-287.0 | Retainer accessories              | 1        | PC   |
| 104 | 9.038-363.0 | Rotary switch PT WD               | 1        | PC   |
| 5   | 9.039-339.0 | Suction tube nichtrostender Stahl | 2        | PC   |
| 84  | 9.047-057.0 | Spring ESD                        | 1        | PC   |
| 154 | 9.047-111.0 | Spring WD                         | 2        | PC   |
| 26  | 9.048-061.0 | Connecting sleeve                 | 1        | PC   |
| 905 | 9.048-061.0 | Connecting sleeve                 | 1        | PC   |
| 20  | 9.086-221.0 | Screw ATF 4.1x22                  | 16       | PC   |



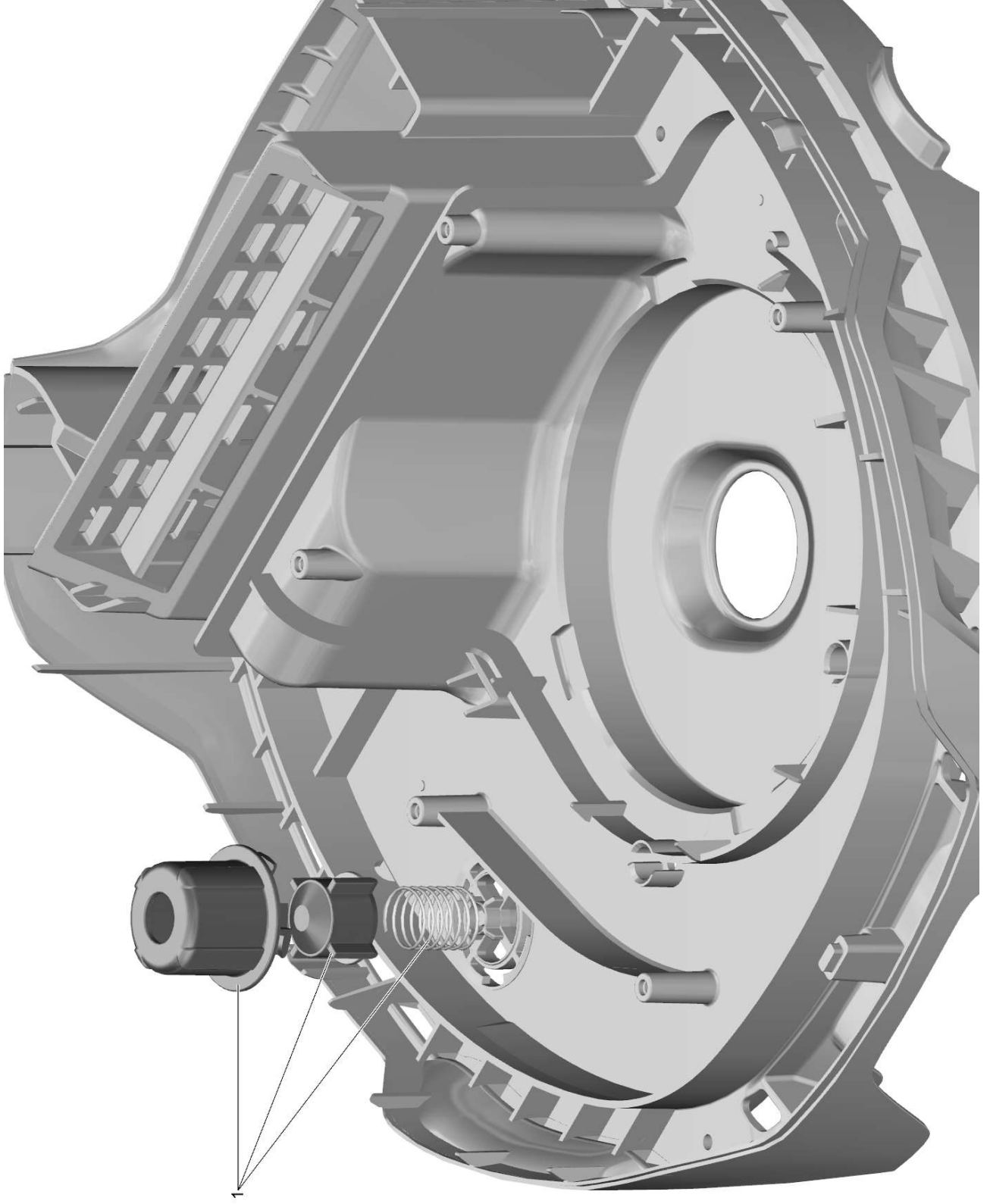
4 Suction hose complete for replacement 2,2m - without handhold (4.440-135.3)

| POS | Article no. | Description                | Quantity | Unit |
|-----|-------------|----------------------------|----------|------|
| 10  | 6.645-688.0 | Spring washer suction hose | 1        | PC   |



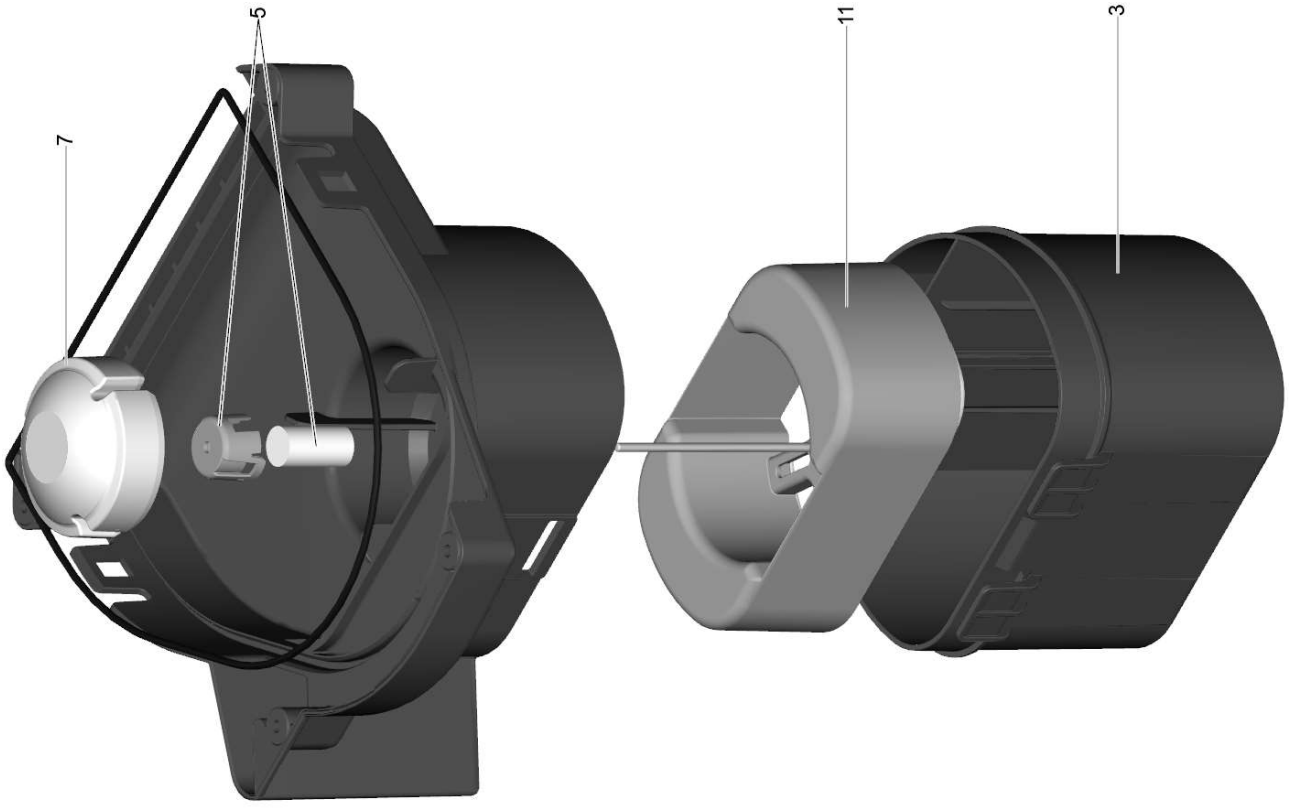
4 Suction hose complete for replacement AS 3,5m 2,2m - with handhold (4.440-140.3)

| POS | Article no. | Description                | Quantity | Unit |
|-----|-------------|----------------------------|----------|------|
| 10  | 6.645-688.0 | Spring washer suction hose | 1        | PC   |



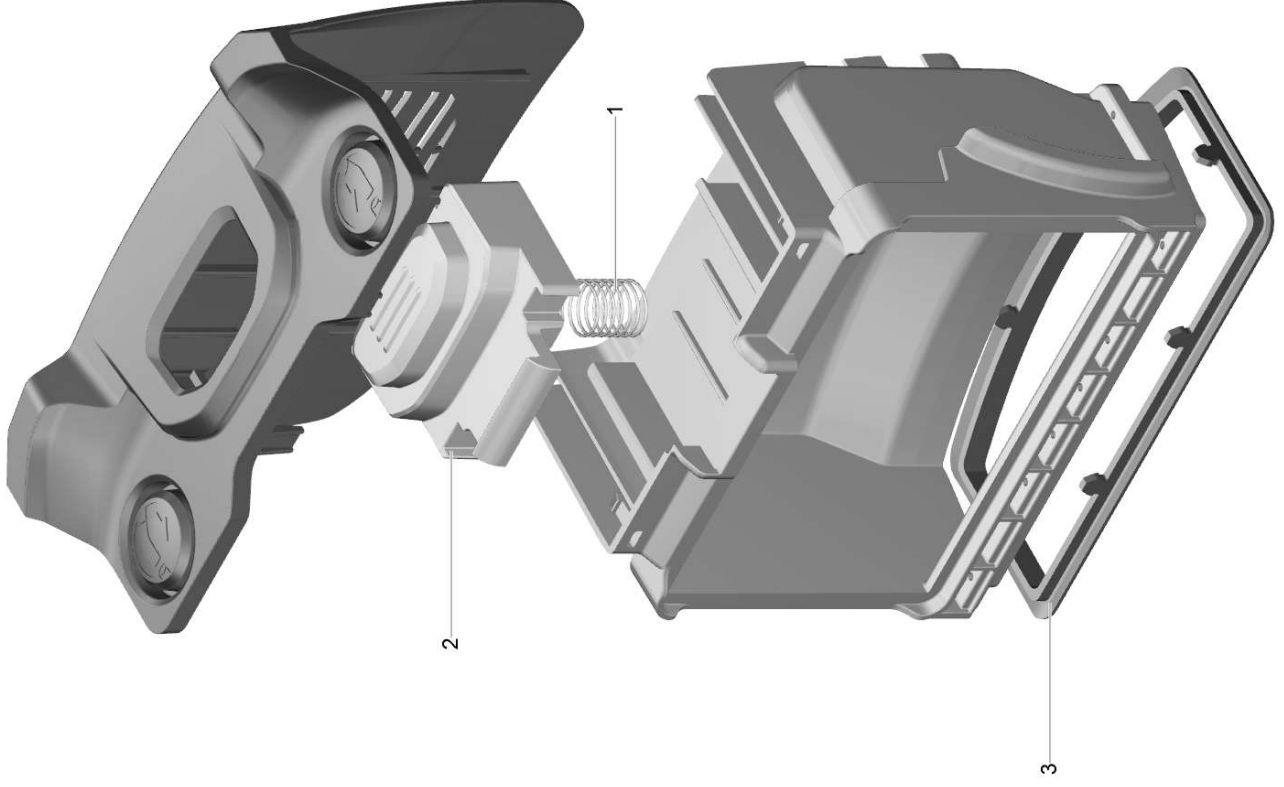
41 Motor bracket complete (9.002-089.0)

| POS | Article no. | Description                | Quantity | Unit |
|-----|-------------|----------------------------|----------|------|
| 1   | 9.002-036.0 | Safety valve complete WD 4 | 1        | PC   |



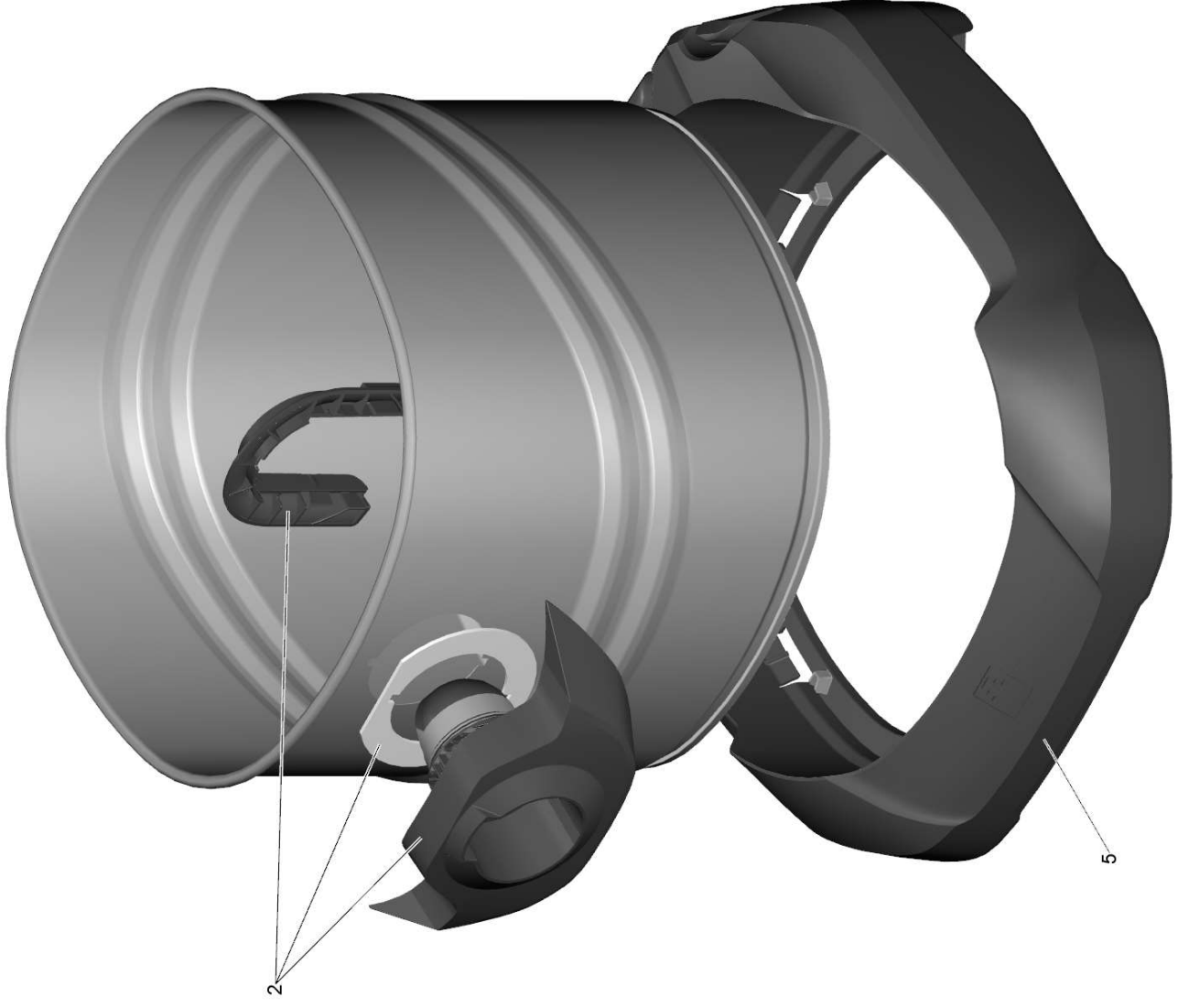
50 Housing float complete

| POS | Article no. | Description              | Quantity | Unit |
|-----|-------------|--------------------------|----------|------|
| 11  | 9.002-032.0 | Float complete WD 4      | 1        | PC   |
| 5   | 9.002-034.0 | Seal float complete WD 4 | 1        | PC   |
| 7   | 9.038-070.0 | Float valve              | 1        | PC   |
| 3   | 9.038-264.0 | Float cage               | 1        | PC   |



57 Filter box complete (9.002-091.0)

| POS | Article no. | Description         | Quantity | Unit |
|-----|-------------|---------------------|----------|------|
| 1   | 6.330-415.0 | Pressure spring VC6 | 1        | PC   |
| 2   | 9.038-283.0 | Fbox button WD5     | 1        | PC   |
| 3   | 9.079-080.0 | Fbox Sealing        | 1        | PC   |



150 Tank stainless steel for replacement 25L SBBY- (4.628-021.3)

| POS | Article no. | Description                     | Quantity | Unit |
|-----|-------------|---------------------------------|----------|------|
| 2   | 2.885-873.0 | Set suction connection packaged | 1        | PC   |
| 5   | 9.002-100.0 | Bumper packaged for replacement | 1        | PC   |

904 Vacuum kit for power tools WD 2St. (2.863-112.0)

| POS | Article no. | Description       | Quantity | Unit |
|-----|-------------|-------------------|----------|------|
| 10  | 9.048-061.0 | Connecting sleeve | 1        | PC   |