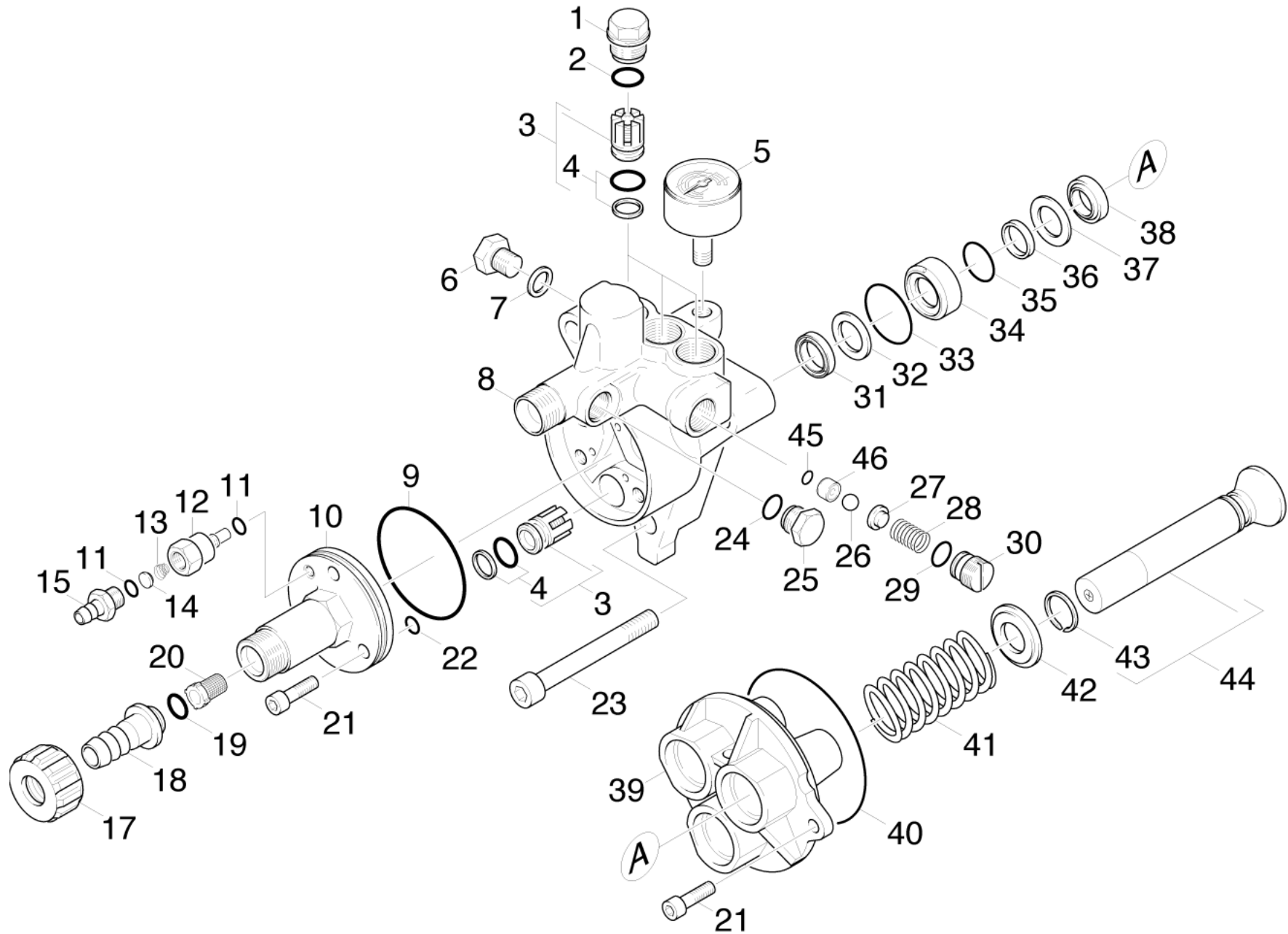


52 Pump set

Vehicle wash \ Wash units \ Passenger vehicle \ CWP 8308 - WB 2,2M \ Spare parts list accessories CWP/CHP \ Add-on kit high-pressure foam \ Pump set



52 Pump set

Vehicle wash \ Wash units \ Passenger vehicle \ CWP 8308 - WB 2,2M \ Spare parts list accessories CWP/CHP \ Add-on kit high-pressure foam \ Pump set

KÄRCHER

POS	Article no.	Description	Quantity	Unit
34	5.112-346.0	Bush	3	PC
10	5.063-392.0	Cover housing	1	PC
21	7.306-042.0	Cylinder head screw M8x25 -8.8-A2E ISO4	5	PC
23	7.306-122.0	Cylinder head screw M12x80- 8.8-A3E IS	3	PC
31	6.365-330.0	Grooved ring	3	PC
38	6.365-052.0	Grooved ring 20X28X6/8	3	PC
28	5.332-203.0	Helical spring	1	PC
41	5.332-150.0	Helical spring	3	PC
13	5.332-004.0	Helical spring	1	PC
15	5.443-319.0	Hose stem	1	PC
18	5.443-282.0	Hose stem	1	PC
39	5.060-261.0	Housing	1	PC
36	5.363-232.0	Joint ring	3	PC
7	7.362-004.0	Joint ring A12x15,5 -Cu DIN 7603	1	PC
17	5.311-071.0	Nut	1	PC
45	6.362-386.0	O-Ring seal 5,0 x 1,5-NBR 80	1	PC
22	6.362-384.0	O-Ring seal 9x1,5 - NBR 70	3	PC
11	6.362-541.0	O-Ring seal 10,0 X 1,5-FPM 70 VITON	2	PC
24	6.362-527.0	O-Ring seal 12,0 X 1,5-NBR 70	1	PC
29	6.362-169.0	O-Ring seal 12,0 X 2,0	1	PC
19	6.362-395.0	O-Ring seal 14,0 X 1,78-NBR 70	1	PC
2	6.362-153.0	O-Ring seal 15,3 X 2,4-NBR 70	3	PC
35	6.362-614.0	O-Ring seal 21,0 X 4,0-FPM 83 VITON	3	PC
33	6.363-607.0	O-Ring seal 34,65 x 1,78 -NBR70	3	PC
9	6.362-501.0	O-Ring seal 68,0 X 2,0-NBR 70	1	PC
40	6.362-448.0	O-Ring seal 100,0 X 1,78	1	PC
4	4.363-693.0	O-Ring seal kpl. -nur fuer Ersatz-	6	PC
44	4.553-099.0	Piston complete	3	PC
5	6.421-124.0	Pressure gauge 0-250 BAR	1	PC
100	2.883-117.0	Pump set	1	PC
25	5.411-074.0	Screw plug	1	PC
12	5.402-427.0	Screw union	1	PC
43	6.472-331.0	Snap ring 20	3	PC

52 Pump set

Vehicle wash \ Wash units \ Passenger vehicle \ CWP 8308 - WB 2,2M \ Spare parts list accessories CWP/CHP \ Add-on kit high-pressure foam \ Pump set

KÄRCHER

POS	Article no.	Description	Quantity	Unit
26	7.401-908.0	Sphere 7 G300 -1.4301 DIN 5401	1	PC
8	7.777-999.0	Stockpiling discontinued	1	PC
6	7.777-999.0	Stockpiling discontinued	1	PC
20	6.414-282.0	Strainer	1	PC
3	2.884-910.0	Valve (3 Stück)	1	PC
27	5.582-075.0	Valve disc	1	PC
14	5.582-003.0	Valve disc	1	PC
30	5.583-089.0	Valve screw	1	PC
1	5.583-090.0	Valve screw	3	PC
46	5.581-107.0	Valve seat	1	PC
32	5.115-435.0	Washer	3	PC
37	5.115-409.0	Washer	3	PC
42	5.115-289.0	Washer	3	PC