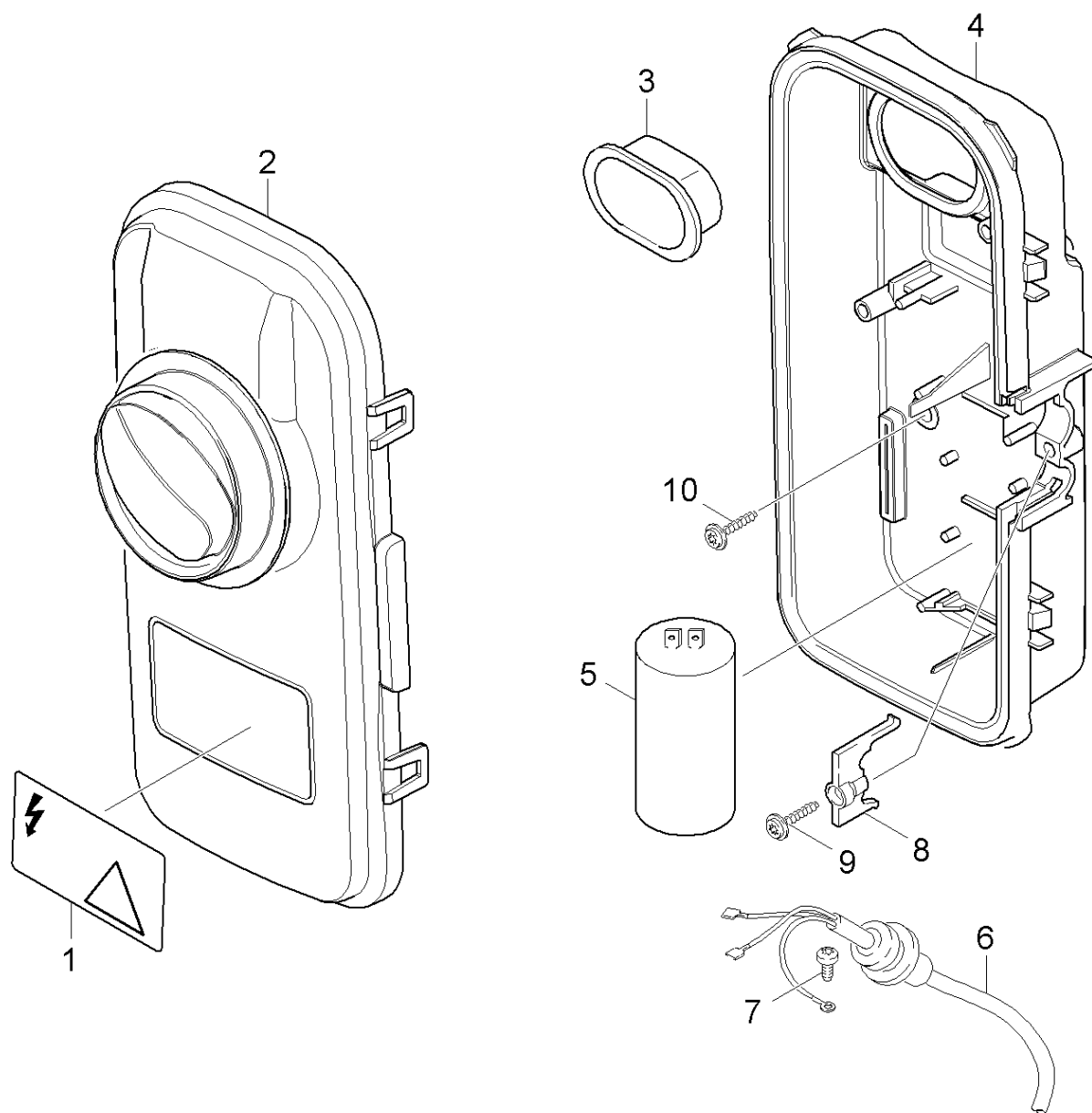


50 Electric box

Overview technical documents/Professional/High pressure cleaner cold water/Electric motor/HD 6/15 CX Plus *CH (1.150-655.0)/Spare parts list HD 6/15 CX PLUS *CH/50 Electric box



50 Electric box

Overview technical documents/Professional/High pressure cleaner cold water/Electric motor/HD 6/15 CX Plus *CH (1.150-655.0)/Spare parts list HD 6/15 CX PLUS *CH/50 Electric box

Rez.daļas/nodil.pakļ.daļas	Poz.	Materiāla Nr.	Nosaukums	Daudzums	Pārdoš. vienība	no sēr. Nr..	līdz sēr. Nr.
	1	5.388-512.0	Label	1.000	ST	0000000000	0000000000
X-X	2	4.744-265.0	Switch	1.000	ST	0000000000	0000000000
	3	5.365-181.0	Gasket	1.000	ST	0000000000	0000000000
	4	5.061-000.0	Korpuss	1.000	ST	0000000000	0000000000
X-X	5	6.661-298.0	Kondensators 30 mF	1.000	ST	0000000000	0000000000
	6	6.649-943.0	Cable with plug CH	1.000	ST		
	7	7.303-031.0	screw	1.000	ST	0000000000	0000000000
	8	5.263-051.0	tensioning part	1.000	ST	0000000000	0000000000
	9	6.303-200.0	Skrūve 5x25-IN6RD	1.000	ST	0000000000	0000000000
	10	6.303-153.0	Screw M5x15-ST-R2R (IN6RD)	3.000	ST	0000000000	0000000000