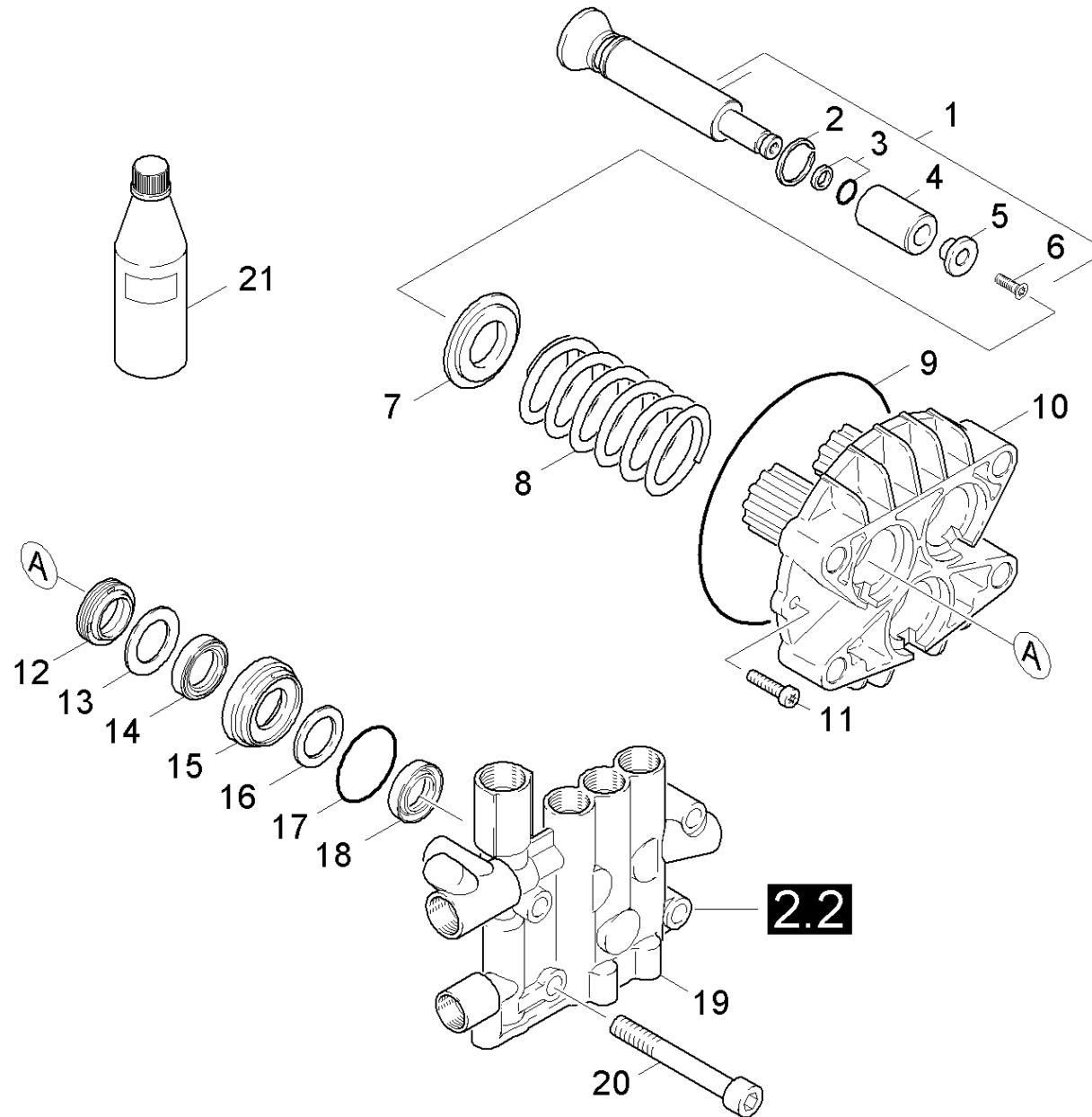


## 2.1 Piston

Overview technical documents/Professional/High pressure cleaner hotwater/Electric motor/HDS 995 SX \*EU (1.027-341.0)/Spare parts list HDS 995 \*EUR/20 Pump set/21 Piston



## 21 Piston

Overview technical documents/Professional/High pressure cleaner hotwater/Electric motor/HDS 995 SX \*EU (1.027-341.0)/Spare parts list HDS 995 \*EUR/20 Pump set/21 Piston

Rez.daļas/nodil.pakļ.daļas	Poz.	Materiāla Nr.	Nosaukums	Daudzums	Pārdoš. vienība	no sēr. Nr..	līdz sēr. Nr.
X-X	1	4.553-281.0	Piston complete only for replacement	3.000	ST	0000000000	0000000000
X-X	2	6.472-331.0	snap ring	3.000	ST	0000000000	0000000000
X-X	3	6.362-365.0	Blīve, pilns kpl. 1ST.-R.- 7,65X 1,7	3.000	ST	0000000000	0000000000
X-X	4	5.110-220.0	Keramiskā savienotājuzmava	3.000	ST	0000000000	0000000000
X-X	5	5.115-358.0	Washer	3.000	ST	0000000000	0000000000
X-X	6	6.305-004.0	Countersunk screw	3.000	ST	0000000000	0000000000
X-X	7	5.115-539.0	Washer	3.000	ST	0000000000	0000000000
X-X	8	5.332-289.0	Helical spring	3.000	ST	0000000000	0000000000
X-X	9	6.362-796.0	Gredzenblīve 107,62X 2,62	1.000	ST	0000000000	0000000000
X	10	5.060-432.0	Korpuss	1.000	ST	0000000000	0000000000
X-X	11	7.306-105.0	Skrūve M6x30 -8.8-R3R (In6Rd)	2.000	ST	0000000000	0000000000
X-X	12	6.365-052.0	Gredzens ar gropi 20X28X6/8	3.000	ST	0000000000	0000000000
X-X	13	5.115-537.0	Paplāksne	3.000	ST	0000000000	0000000000
X-X	14	6.365-053.0	Kompaktā blīve 20X30X6	3.000	ST	0000000000	0000000000
X-X	15	5.112-420.0	Bukse	3.000	ST	0000000000	0000000000
X-X	16	5.115-538.0	Paplāksne	3.000	ST	0000000000	0000000000
X-X	17	6.362-092.0	Gredzenblīve 36,0 X 2,0-NBR 70	3.000	ST	0000000000	0000000000
X-X	18	6.365-330.0	Gredzens ar gropi	3.000	ST	0000000000	0000000000
	19	4.550-535.0	Cylinder head complete only for replacem	1.000	ST	0000000000	0000000000
X-X	20	7.306-155.0	Cil. galvas skr. M12x100 -8.8-A3E IS	4.000	ST	0000000000	0000000000
X-X	21	6.288-016.0	Transmisijas eļļa	1.000	ST	0000000000	0000000000
X-X	100	2.883-913.0	Spare part set pump	1.000	ST	0000000000	0000000000