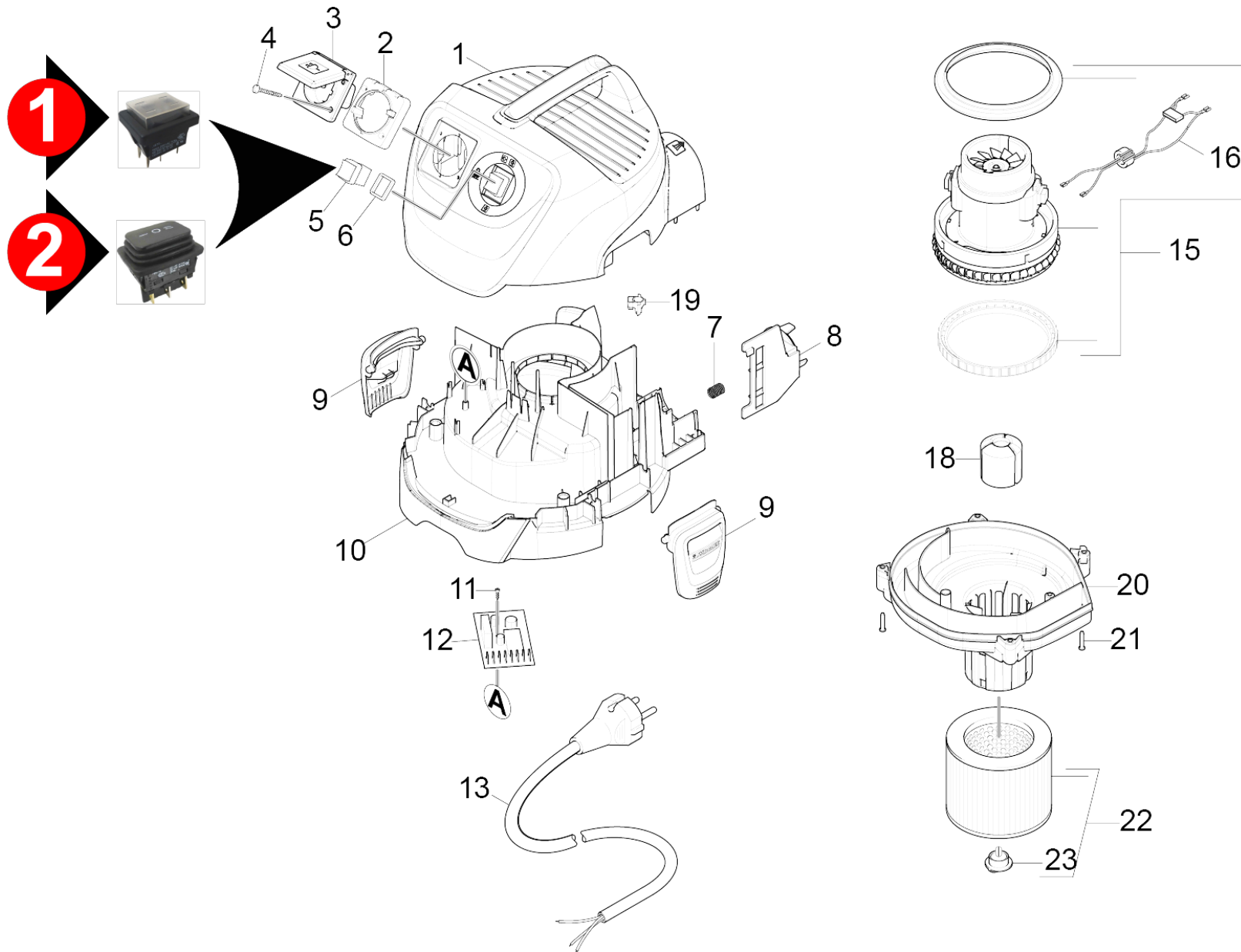


10 Appliance individual parts

Home and Garden \ Vacuum cleaner \ Wet-/Dry vacuum cleanerwet \ WD 3 P *EU-I \ Appliance individual parts



10 Appliance individual parts

Home and Garden \ Vacuum cleaner \ Wet-/Dry vacuum cleanerwet \ WD 3 P *EU-I \ Appliance individual parts



POS	Article no.	Description	Quantity	Unit	Remark	Foot note text
1	4.195-311.0	Set cover neutrally packed MV 3 P / WD 3 P	1	PC		VERSION 2 / PLEASE TAKE MODEL OF SWITCH
1	4.195-311.0	Set cover neutrally packed MV 3 P / WD 3 P	1	PC		VERSION 1 / PLEASE TAKE MODEL OF THE SWITCH
2	9.037-001.0	Frame PT	1	PC		
3	6.646-561.0	Plug socket *EU	1	PC		
4	6.633-534.0	Oval head screw with Kombi-Torx 3x18	2	PC		
5	4.195-312.0	Switch for replacement	1	PC		VERSION 2 / PLEASE TAKE MODEL OF SWITCH
5	6.630-090.0	Switch 2-level	1	PC		VERSION 1 / PLEASE TAKE MODEL OF THE SWITCH
6	9.048-077.0	Seal switch TE	1	PC		VERSION 1 / PLEASE TAKE MODEL OF THE SWITCH
7	5.332-997.0	Helical spring	1	PC		
8	5.640-363.0	Slider	1	PC		
9	5.075-037.0	Closure	2	PC		
10	5.053-183.0	Motor bracket	1	PC		
11	6.303-557.0	Screw 3x12 Kombitorx T8	1	PC		
12	6.683-021.0	Electronics NT Good	1	PC		
13	6.649-179.0	Cable with plug *EU	1	PC	*EU	
15	4.490-000.0	Vacuum motor complete for replacement Cu	1	PC		
16	2.884-253.0	Set cable ferrite ring	1	PC		
18	5.585-062.0	Float ECO	1	PC		
19	5.034-736.0	Retaining bracket cable	1	PC		
20	5.731-646.0	Filter cage	1	PC		
21	6.303-150.0	Screw 4,2x 22	6	PC		
22	2.863-303.0	Cartridge filter WD/SE	1	PC		
23	4.075-012.0	Closure complete	1	PC		