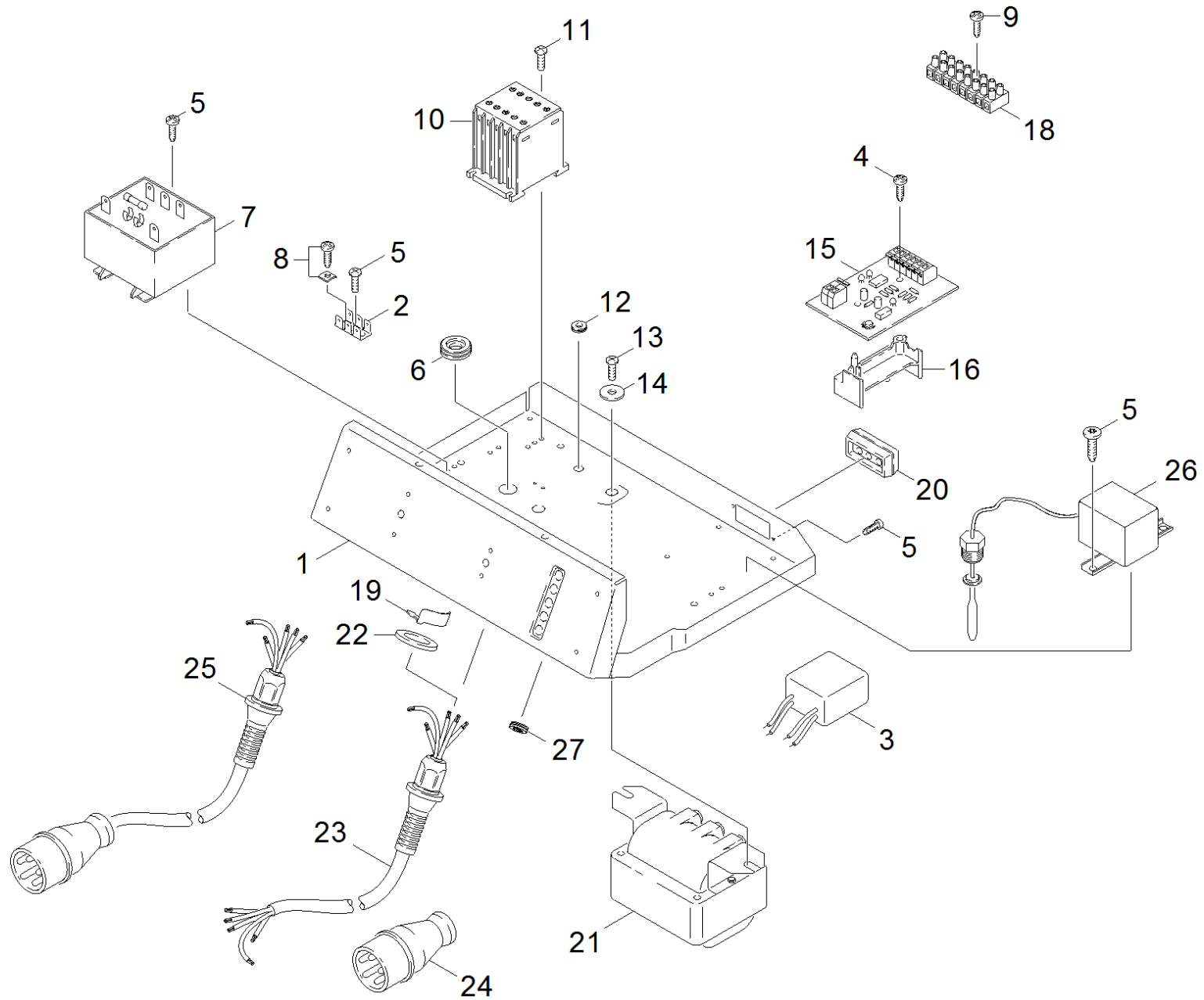


# 62 Bottom part

Professional \ High pressure cleaner hotwater \ Electric motor \ HDS 695 M ECO\*EU-II \ Spare parts list HDS 695 M ECO \ Electric control box \ Bottom part



## 62 Bottom part

Professional \ High pressure cleaner hotwater \ Electric motor \ HDS 695 M ECO\*EU-II \ Spare parts list HDS 695 M ECO \ Electric control box \ Bottom part

POS	Article no.	Description	Quantity	Unit
23	6.648-514.0	Cable complete .4X2,5 <b>Item text1:</b> / 1.025-311.0 / -312.0 / -317.0 / -325.0	1	PC
23	6.647-250.0	Cable with rubber bushing <b>Item text1:</b> / 1.025-315.0 / -316.0 / -352.0	1	PC
23	6.647-564.0	Cable with rubber bushing <b>Item text1:</b> / 1.025-318.0 / -319.0 / -320.0 <b>Item text2:</b> / -324.0	1	PC
15	6.682-306.0	Circuit board burner <b>Item text1:</b> / 1.025-325.0	1	PC
15	6.633-509.0	Circuit board pulse generator *j <b>Item text1:</b> 1.025-318.0 / -319.0 / -320.0 / -324.0	1	PC
10	4.632-002.0	Contacteur -nur fuer Ersatz- <b>Item text1:</b> / 1.025-315.0 / -316.0	1	PC
10	6.632-356.0	Contacteur LC1-D18 B7 <b>Item text1:</b> 1.025-311.0 /-312.0 /-317.0 /-318.0 <b>Item text2:</b> /-319.0 /-320.0 /-324.0 /-325.0 /-351.0	1	PC
7	4.622-018.0	Control transformer -nur für Ersatz- <b>Item text1:</b> / 1.025-311.0 / -312.0 / -317.0 / -318.0 <b>Item text2:</b> / -319.0 / -320.0 / -324.0 / -325.0	1	PC
7	6.622-241.0	Control transformer 400V <b>Item text1:</b> / 1.025-315.0 / -316.0 / -351.0 / -352.0	1	PC
26	2.885-260.0	Conversion kit temperature limiter	1	PC
24	6.646-266.0	Coupler plug <b>Item text1:</b> / 1.025-315.0 / -316.0	1	PC
21	6.622-167.0	Ignition transformer 230V <b>Item text1:</b> 1.025-312.0	1	PC
21	4.622-033.0	Ignition transformer only for replacemen <b>Item text1:</b> / 1.025-311.0 / -317.0 / -318.0 <b>Item text2:</b> / -319.0 / -320.0 / -324.0 / -325.0	1	PC
3	6.661-229.0	Interference suppressor	1	PC
19	6.343-186.0	Locking ring <b>Item text1:</b> / 1.025-311.0 / -312.0 / -317.0 / -318.0 <b>Item text2:</b> / -319.0 / -320.0 / -324.0 / -325.0	1	PC

## 62 Bottom part

Professional \ High pressure cleaner hotwater \ Electric motor \ HDS 695 M ECO\*EU-II \ Spare parts list HDS 695 M ECO \ Electric control box \ Bottom part

POS	Article no.	Description	Quantity	Unit
20	5.030-931.0	Moulded part	1	PC
2	6.641-270.0	Plug	1	PC
24	6.646-356.0	Plug CEE-32A	1	PC
	<b>Item text1:</b> / 1.025-311.0 / -312.0 / -317.0 /			
6	5.365-158.0	Profile gasket	1	PC
27	5.365-109.0	Profile gasket	1	PC
15	4.633-058.0	Pulse generator only for replacement	1	PC
	<b>Item text1:</b> 1.025-311.0 / -312.0 / -315.0 / -316.0 /			
	<b>Item text2:</b> -317.0 / -351.0 / -352.0			
19	6.343-170.0	Retaining clip	1	PC
	<b>Item text1:</b> / 1.025-315.0 / -316.0 / -351.0 / -352.0			
5	7.303-030.0	Screw M4x8 -St-P2R (In6Rd)	6	PC
8	6.303-317.0	Screw M4x10-St-A2G	2	PC
11	7.303-033.0	Screw M4x16-ST-P2R (KOMBI-IN6RD)	2	PC
4	7.303-035.0	Screw M4x30 -St-R2R (In6Rd)	1	PC
13	7.303-328.0	Screw M5x8 -St-flZn/nc480h/C (In6Rd)	1	PC
9	7.303-501.0	Self-tapping screw M3x20-ST-A2E DIN 7500	4	PC
1	5.049-551.0	Sheet metal component	1	PC
	<b>Item text1:</b> / 1.025-315.0 / -316.0 / -351.0 / -352.0			
1	5.049-657.0	Sheet metal component electric control b	1	PC
	<b>Item text1:</b> / 1.025-311.0 / -312.0 / -317.0 / -318.0			
	<b>Item text2:</b> / -319.0 / -320.0 / -324.0 / -325.0			
21	2.883-791.0	Spare parts set ignition transformer	1	PC
	<b>Item text1:</b> / 1.025-315.0 / -316.0 / -351.0 / -352.0			
25	7.777-999.0	Stockpiling discontinued	1	PC
	<b>Item text1:</b> 1.025-351.0			
18	6.643-249.0	Strip terminal	1	ZST
16	5.057-043.0	Support	1	PC
22	5.115-255.0	Washer	1	PC
	<b>Item text1:</b> / 1.025-315.0 / -316.0 / -351.0 / -352.0			
22	5.115-921.0	Washer	1	PC
	<b>Item text1:</b> / 1.025-311.0 / -312.0 / -317.0 / -318.0			
	<b>Item text2:</b> / -319.0 / -320.0 / -324.0 / -325.0			

## 62 Bottom part

Professional \ High pressure cleaner hotwater \ Electric motor \ HDS 695 M ECO\*EU-II \ Spare parts list HDS 695 M ECO \ Electric control box \ Bottom part



POS	Article no.	Description	Quantity	Unit
14	7.312-260.0	Washer 6-100HV-A3E ISO 7094	1	PC
12	6.641-422.0	Wire protecting sleeve	1	PC